

# LQ201U1LW21

## TFT-LCD Module

Spec. Issue Date: June 23, 2004

No: LD-16112

PREPARED BY :    DATE	<h1>SHARP</h1> <p>AVC LIQUID CRYSTAL DISPLAY GROUP SHARP CORPORATION</p> <h2>SPECIFICATION</h2>	SPEC No. LD-16112
		FILE No.
APPROVED BY :    DATE		ISSUE : Jan.23.2004
		PAGE : 22 pages
		APPLICABLE GROUP AVC Liquid Crystal Display Group

DEVICE SPECIFICATION  
**TFT-LCD Module**  
 MODEL  
**LQ201U1LW21**

CUSTOMER'S APPROVAL

DATE \_\_\_\_\_

BY \_\_\_\_\_

PRESENTED

BY *M. Takeda*  
 M. TAKEDA  
 Department General Manager  
 Development Engineering Department 2  
 Development Center  
 AVC LIQUID CRYSTAL DISPLAY GROUP  
 SHARP CORPORATION

## RECORDS OF REVISION

LQ201U1LW21

SPEC No.	DATE	REVISED No.	PAGE	SUMMARY	NOTE
LD-16112	Jan.23.2004				1 st Issue

## 1. Application

This specification applies to the color 20.1 UXGA TFT-LCD module LQ201U1LW21.

These specification sheets are the proprietary product of SHARP CORPORATION("SHARP) and include materials protected under copyright of SHARP. Do not reproduce or cause any third party to reproduce them in any form or by any means, electronic or mechanical, for any purpose, in whole or in part, without the express written permission of SHARP.

The device listed in these specification sheets was designed and manufactured for use in OA equipment.

In case of using the device for applications such as control and safety equipment for transportation(aircraft, trains, automobiles, etc. ), rescue and security equipment and various safety related equipment which require higher reliability and safety, take into consideration that appropriate measures such as fail-safe functions and redundant system design should be taken.

In case of using the device for equipment that requires an extreme level of reliability, such as aerospace applications, telecommunication equipment(trunk lines), nuclear power control equipment and medical or other equipment for life support, contact and consult with a SHARP sales representative.

SHARP assumes no responsibility for any damage resulting from the use of the device which does not comply with the instructions and the precautions specified in these specification sheets.

Contact and consult with a SHARP sales representative for any questions about this device.

## 2. Overview

This module is a color active matrix LCD module incorporating amorphous silicon TFT (Thin Film Transistor). It is composed of a color TFT-LCD panel, driver ICs, control circuit, power supply circuit and a back light unit. Graphics and texts can be displayed on a 1600 × 3 × 1200 dots panel with about 16 million colors by supplying 48 bit data signals(8bit × 2pixel × RGB) , two display enable signals, two dot clock signals, +12V DC supply voltages for TFT-LCD panel driving and supply voltage for back light.

It is a wide viewing-angle-module (Vertical viewing angle:176 ° Horizontal viewing angle:176 ° ,CR 10).

This module performance achieve 20ms response time (full; black to white, or white to black) done by improving Liquid crystal material.

### 3. Mechanical Specifications

Parameter	Specifications	Unit
Display size	51 (Diagonal)	cm
	20.1 (Diagonal)	Inch
Active area	408.0 (H) × 306.0 (V)	mm
Pixel format	1600 (H) × 1200 (V)	Pixel
	(1 pixel = R + G + B dots)	
Pixel pitch	0.255(H) × 0.255 (V)	mm
Pixel configuration	R,G,B vertical stripe	
Display mode	Normally black	
Unit outline dimensions	432(W) × 331.5 (H) × 25 (D)	mm
Mass	3.2 (Typ)	kg
Surface treatment	Anti-glare And hard-coating 3H	

Outline dimensions are shown in Fig.1.

## 4. Input Terminals and Function

### 4-1. TFT-LCD panel driving

[www.DataSheet4U.com](http://www.DataSheet4U.com)

LVDS interface with 2 input signal, and +12VDC power supply, control signal

Connectors: MDF76LARW-30S-1H (HIROSE) or FI-XB30SRL-HF11 (JAE)

Corresponding connectors: FI-X30M (JAE)

LVDS receiver : Contained in a control IC

Corresponding LVDS transmitter : THC63LVDM83R(Thine) or compatible

Pin No.	Symbol	Function	Remark
1	Vcc	+12V power supply	
2	Vcc	+12V power supply	
3	Vcc	+12V power supply	
4	Vcc	+12V power supply	
5	Vss	Gnd	
6	Vss	Gnd	
7	RBIN3+	Positive (+) LVDS differential data input (B port)	LVDS
8	RBIN3-	Negative (-) LVDS differential data input (B port)	LVDS
9	CKBIN+	Positive (+) LVDS differential clock input (B port)	LVDS
10	CKBIN-	Negative (-) LVDS differential clock input (B port)	LVDS
11	RBIN2+	Positive (+) LVDS differential data input (B port)	LVDS
12	RBIN2-	Negative (-) LVDS differential data input (B port)	LVDS
13	RBIN1+	Positive (+) LVDS differential data input (B port)	LVDS
14	RBIN1-	Negative (-) LVDS differential data input (B port)	LVDS
15	RBIN0+	Positive (+) LVDS differential data input (B port)	LVDS
16	RBIN0-	Negative (-) LVDS differential data input (B port)	LVDS
17	Vss	Gnd	
18	Vss	Gnd	
19	RAIN3+	Positive (+) LVDS differential data input (A port)	LVDS
20	RAIN3-	Negative (-) LVDS differential data input (A port)	LVDS
21	CKAIN+	Positive (+) LVDS differential clock input (A port)	LVDS
22	CKAIN-	Negative (-) LVDS differential clock input (A port)	LVDS
23	RAIN2+	Positive (+) LVDS differential data input (A port)	LVDS
24	RAIN2-	Negative (-) LVDS differential data input (A port)	LVDS
25	RAIN1+	Positive (+) LVDS differential data input (A port)	LVDS
26	RAIN1-	Negative (-) LVDS differential data input (A port)	LVDS
27	RAIN0+	Positive (+) LVDS differential data input (A port)	LVDS
28	RAIN0-	Negative (-) LVDS differential data input (A port)	LVDS
29	Vss	Gnd	
30	Vss	Gnd	

【Note1】 This module has dual pixel port to receive dual pixel data at the same time . A port receives first pixel data and B port receives second pixel data in dual pixel data.

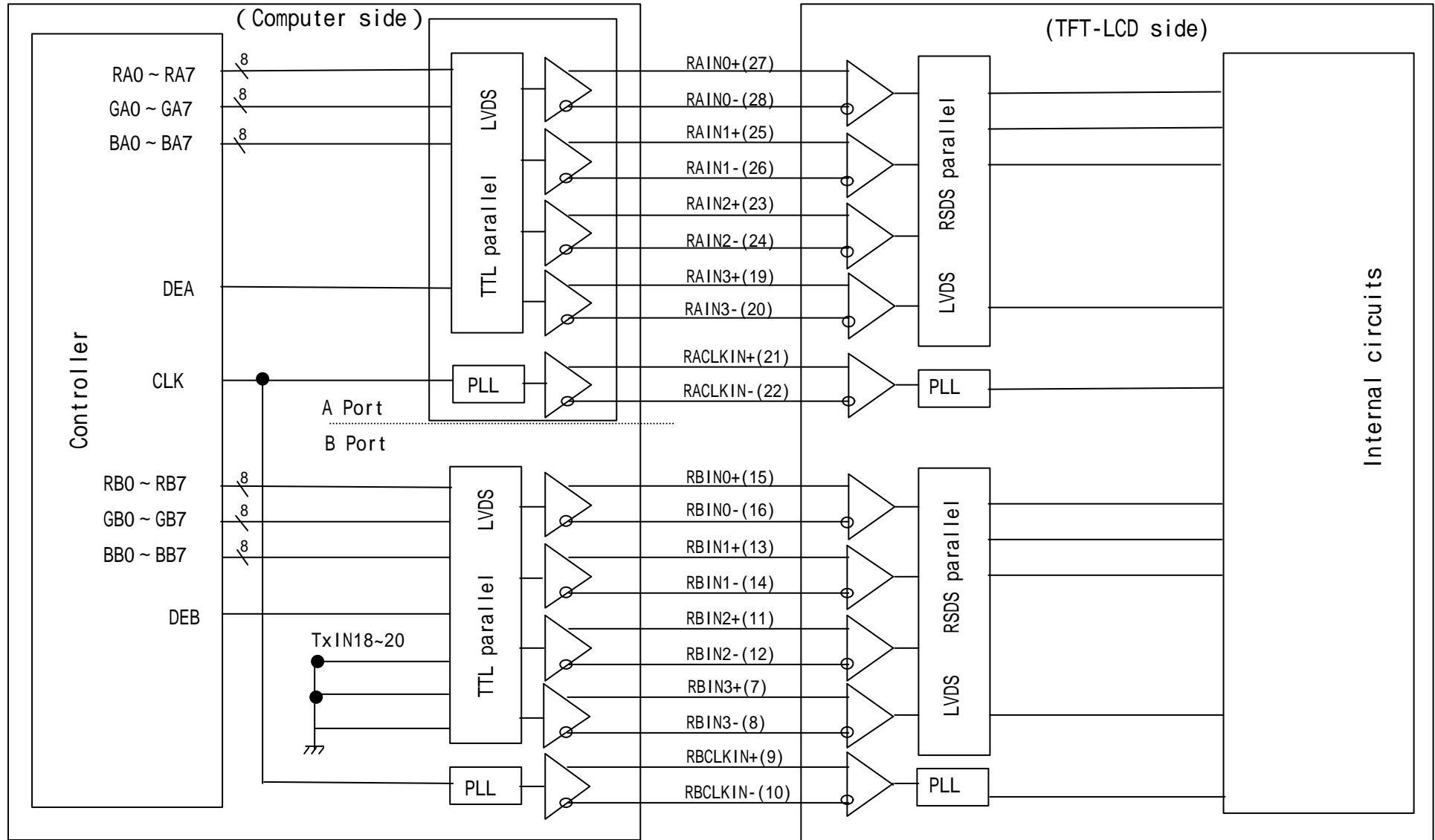
【Note2】 Thine:THC63LVDM83R

Transmitter		Data arrangement
Pin No	Data	
51	TA0	R0(LSB)
52	TA1	R1
54	TA2	R2
55	TA3	R3
56	TA4	R4
3	TA5	R5
4	TA6	G0(LSB)
6	TB0	G1
7	TB1	G2
11	TB2	G3
12	TB3	G4
14	TB4	G5
15	TB5	B0(LSB)
19	TB6	B1
20	TC0	B2
22	TC1	B3
23	TC2	B4
24	TC3	B5
27	TC4	(NA)
28	TC5	(RSV1)
30	TC6	DE
50	TD0	R6
2	TD1	R7(MSB)
8	TD2	G6
10	TD3	G7(MSB)
16	TD4	B6
18	TD5	B7(MSB)
25	TD6	(NA)

## 4-2 Interface block diagram

LVDS receiver : Contained in a control IC.

Applied Transmitter : THC63LVDM83R(THine electronics), or equivalent: DS90C383,DS90C383A(National semiconductor)





## 4-2. Back light driving

CN1, 3 (High voltage side)

The module-side connector: XHP - 7 (JST)

The user-side connector: S7B - XH - A (JST)

Cable: UL Style No.: 10267  
 rated voltage: 2kV (AC)  
 AWG: 26

www.DataSheet4U.com

Pin no.	symbol	Function	Cable color
1	$V_{H-1}$	Power supply for lamp 1 (High voltage side)	Pink
2	NC	This is electrically opened.	
3	NC	This is electrically opened.	
4	$V_{H-2}$	Power supply for lamp 2 (High voltage side)	Blue
5	NC	This is electrically opened.	
6	NC	This is electrically opened.	
7	$V_{H-3}$	Power supply for lamp 3 (High voltage side)	Orange

CN 2,4(Low voltage side)

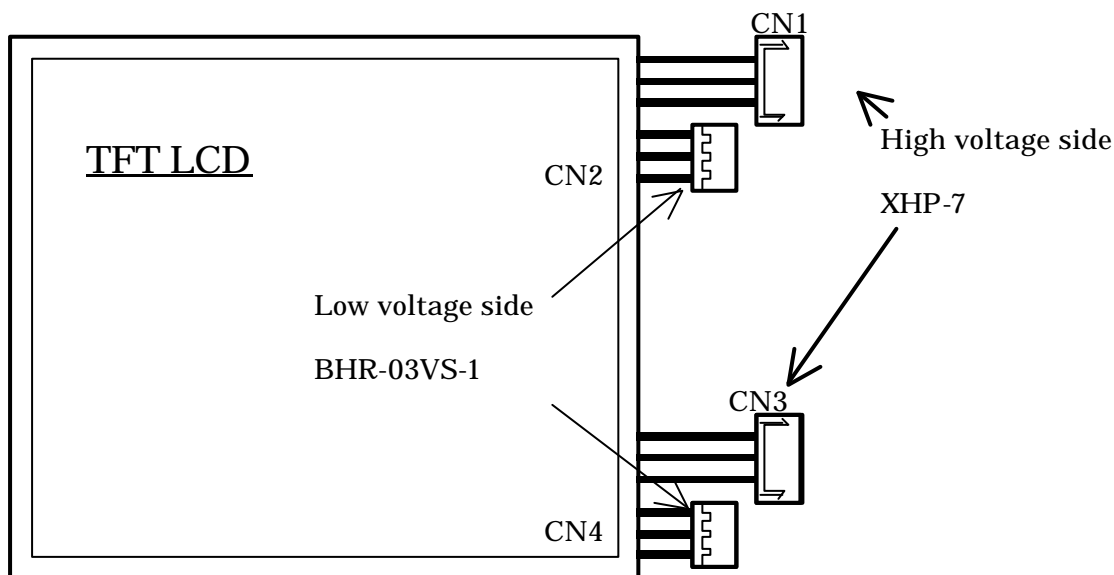
The module-side connector: BHR - 03VS - 1 (JST)

The user-side connector: SM03(4.0)B - BHS - 1 - TB (JST)

Cable: UL Style No.: 10368  
 rated voltage: 300V (AC)  
 AWG: 26

Pin no.	symbol	Function	Cable color
1	$V_{L-1}$	Power supply for lamp 1 (Low voltage side)	White
2	$V_{L-2}$	Power supply for lamp 2 (Low voltage side)	Gray
3	$V_{L-3}$	Power supply for lamp 3 (Low voltage side)	Brown

The pair of CN1 and CN2 is for the same CCFT lamps. The pair of CN3 and CN4 is in the same way.



## 5. Absolute Maximum Ratings

Parameter	Symbol	Condition	Ratings	Unit	Remark
+12.0V supply voltage	Vcc	Ta=25	0 ~ +14.0	V	
Storage temperature	Tstg	-	-25 ~ +60		【Note1】
Operating temperature (Ambient)	Topa	-	0 ~ +50		

【Note1】 Humidity : 95%RH Max. ( Ta 40 )

Maximum wet-bulb temperature at 39 or less. ( Ta>40 )

No condensation.

## 6. Electrical Characteristics

### 6-1. TFT-LCD panel driving

Ta = 25

Parameter	Symbol	Min.	Typ.	Max.	Unit	Remark
Vcc Supply voltage	Vcc	+10.8	+12.0	+13.2	V	【Note1】
Current dissipation	Icc	-	420	600	mA	【Note2】
Rush Current				3	A	【Note3】
Permissible input ripple voltage	V <sub>RF</sub>	-	-	100	mVp-p	

【Note1】

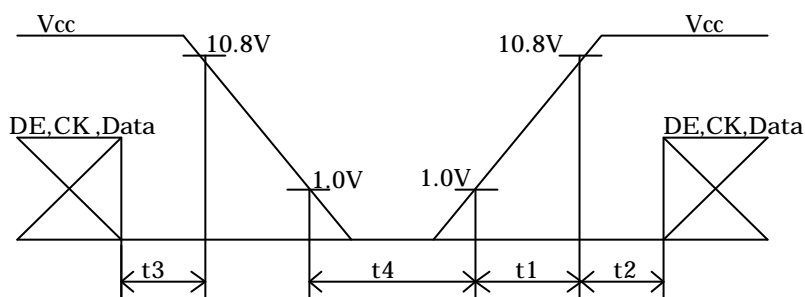
#### 1) On-off sequences of Vcc and data

0 < t1 60ms

0 < t2 10ms

0 < t3 1s

t4 100ms



#### 2) Dip conditions for supply voltage

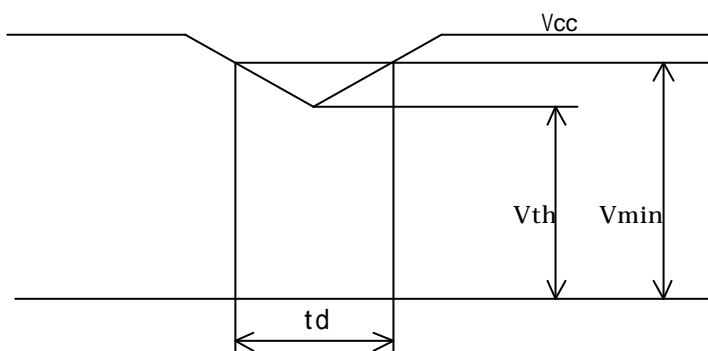
Vmin, Vth=10.8V, 9.6V

1) Vth Vcc < Vmin

td 20ms

2) Vcc < Vth

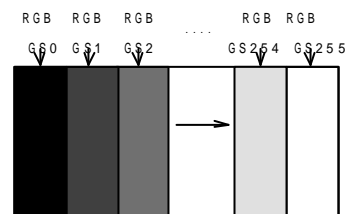
The LCD module shuts down.



【Note2】 Typical current situation : 256-gray-bar pattern

Vcc=+12.0V

The explanation of each gray scale ,GS,  
is described below section 8.



【Note3】 The duration of rush current is about 1ms.

## 6-2. Back light driving

The back light system is an edge-lighting type with 6 CCFTs (Cold Cathode Fluorescent Tube). DataSheet4U.com

The characteristics of the lamp are shown in the following table.

The value mentioned below is at the case of one CCFT.

CCFT Model Name : KTBE222MSTF-421MA77-Z(STANLEY.ELECTRIC.CO.,LTD)

Parameter	Symbol	Min.	Typ.	Max.	Unit	Remark
Lamp current range	$I_L$	3	6	7	mArms	【Note1】
Lamp voltage	$V_L$		800	900	Vrms	$T_a=25$ $I_L=6.0mA_{rms}$ $F_L=60kHz$
Lamp power consumption	$P_L$		4.8	5.4	W	【Note2】 $I_L=6.0mA_{rms}$ $F_L=60kHz$
Lamp frequency	$F_L$	35	60	70	KHz	【Note3】
Kick-off voltage	$V_s$			1800	Vrms	$T_a=25$ 【Note4】
				2000	Vrms	$T_a=0$ 【Note4】
Lamp life time	$T_L$	50,000			Hour	【Note5】

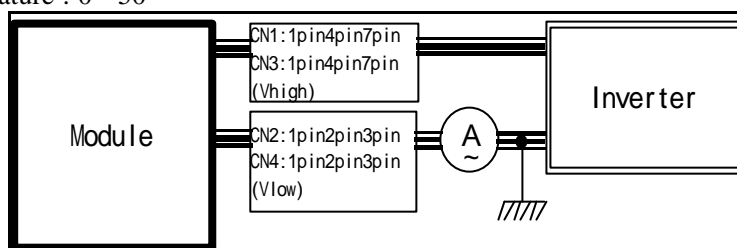
【Note1】 A lamp can be light in the range of lamp current shown above.

Maximum rating for current is measured by high frequency current measurement equipment connected to  $V_{LOW}$  at circuit showed below.

(Note : To keep enough kick-off voltage and necessary steady voltage for CCFT.)

Lamp frequency : 35 ~ 70kHz

Ambient temperature : 0 ~ 50



【Note2】 Referential data per one CCFT by calculation ( $I_L \times V_L$ ).

The data doesn't include loss at inverter .

【Note3】 Lamp frequency of inverter may produce interference with horizontal synchronous frequency, and this may cause horizontal beat on the display. Therefore, adjust lamp frequency, and keep inverter as far as from module or use electronic shielding between inverter and module to avoid interference.

【Note4】 It is defined at 27pF for the ballast capacitor of a DC-AC inveter.

The Kick-off voltage may rise up in the user set, please decide the open output voltage by checking not to occur lighting failure under operating state.

The open output voltage should be applied to the lamp for more than 1 second to startup. Or when the ambient luminance around the lamp is more than 1lux, it should be applied to the lamp for more than 100ms. Otherwise the lamp may not be turned on..

【Note5】 Lamp life time is defined as the time when either or occurs in the continuous operation under the condition of  $T_a=25$  and  $I_L=6.0$  mArms .

Brightness becomes 50% of the original value under standard condition.

Kick-off voltage at  $T_a=0$  exceeds maximum value, 2000Vrms .

《Note》

The performance of the backlight, for example lifetime or brightness, is much influenced by the characteristics of the DC-AC inverter for the lamp. When you design or order the inverter, please make sure that a poor lighting caused by the mismatch of the backlight and the inverter (miss-lighting, flicker, etc.) never occurs. When you confirm it, the module should be operated in the same condition as it is installed in your instrument.

Use the lamp inverter power source incorporating such safeguard as overvoltage / overcurrent protective circuit or lamp voltage waveform detection circuit, which should have individual control of each lamp.

In case one circuit without such individual control is connected to more than two lamps, excessive current may flow into one lamp when the other one is not in operation.

Synchronize frequency and phase of CCFT in the same connector. Otherwise it may exceed rated voltage of connector.

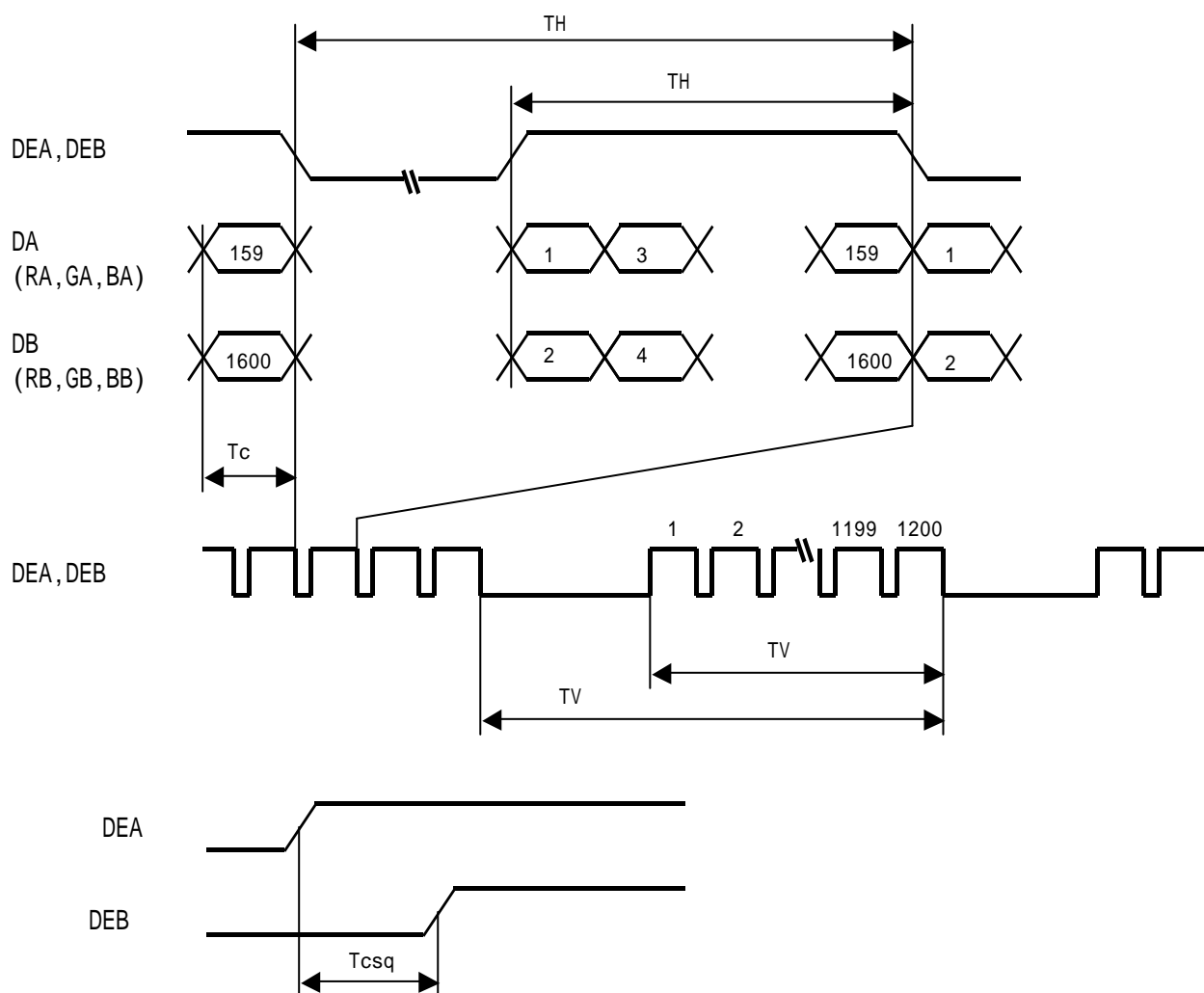
## 7. Timing characteristics of input signals

### 7-1. Timing characteristics

Parameter		Symbol	Min.	Typ.	Max.	Unit	Remark
Clock	Frequency	1/Tc	60.0	81.0	85.0	MHz	
	Skew	Tcsq	-4	0	4	ns	【Note1】
Data enable signal	Horizontal period	TH	830	1080	1317	clock	
			10.0	13.3	15.5	μs	
	Horizontal period (High)	THd	800	800	800	clock	
	Vertical period	TV	1205	1250	2000	line	【Note2】
			12.1	16.7	-	ms	
Vertical period (High)	TVd	1200	1200	1200	line		

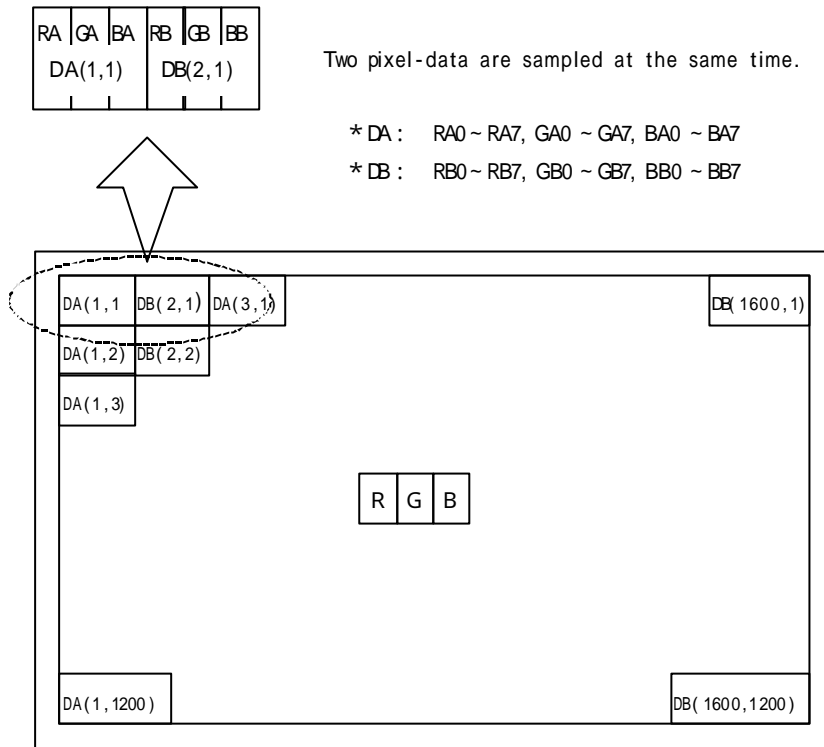
【Note1】 Lvds (A port)- Lvds (B port) phase difference

【Note2】 In case of using the long vertical period, the deterioration of display quality, flicker etc. may occur.



## 7-2 Input Data Signals and Display Position on the screen

Graphics and texts can be displayed on a 1600 × 3 × 1200 dots panel with 16M colors by supplying 48 bit data signal (8bit/color [256 gray scales] × 3 × 2 pixels).



Display position of input data (H V)

## 8. Input Signals, Basic Display Colors and Gray Scale of Each Color

Colors & Gray	Gray Scale	Data signal																www.DataSheet4U.com								
		RA	RA	RA	RA	RA	RA	RA	RA	RA	GA	GA	GA	GA	GA	GA	GA	GA	BA	BA	BA	BA	BA	BA	BA	BA
		RB0	RB1	RB2	RB3	RB4	RB5	RB6	RB7	GB0	GB1	GB2	GB3	GB4	GB5	GB6	GB7	BB0	BB1	BB2	BB3	BB4	BB5	BB6	BB7	
Basic Color	Black	-	0	0	0	0	0	0	0	0	0	0	0	0	0	0	0	0	0	0	0	0	0	0	0	
	Blue	-	0	0	0	0	0	0	0	0	0	0	0	0	0	0	0	1	1	1	1	1	1	1	1	
	Green	-	0	0	0	0	0	0	0	0	0	0	0	0	0	0	0	1	1	1	1	1	1	1	1	
	Cyan	-	0	0	0	0	0	0	0	0	0	0	0	0	0	0	0	1	1	1	1	1	1	1	1	
	Red	-	1	1	1	1	1	1	1	1	1	1	1	1	1	1	0	0	0	0	0	0	0	0	0	
	Magenta	-	1	1	1	1	1	1	1	1	1	1	1	1	1	1	0	1	1	1	1	1	1	1	1	
	Yellow	-	1	1	1	1	1	1	1	1	1	1	1	1	1	1	0	0	0	0	0	0	0	0	0	
	White	-	1	1	1	1	1	1	1	1	1	1	1	1	1	1	1	1	1	1	1	1	1	1	1	
Gray Scale of Red	Black	GS0	0	0	0	0	0	0	0	0	0	0	0	0	0	0	0	0	0	0	0	0	0	0		
	↑	GS1	1	0	0	0	0	0	0	0	0	0	0	0	0	0	0	0	0	0	0	0	0	0		
	Darker	GS2	0	1	0	0	0	0	0	0	0	0	0	0	0	0	0	0	0	0	0	0	0	0		
	↑	↓					↓							↓									↓			
	↓	↓					↓							↓									↓			
	Brighter	GS253	1	0	1	1	1	1	1	1	1	1	1	1	1	1	0	0	0	0	0	0	0	0		
	↓	GS254	0	1	1	1	1	1	1	1	1	1	1	1	1	1	0	0	0	0	0	0	0	0		
	Red	GS255	1	1	1	1	1	1	1	1	1	1	1	1	1	1	0	0	0	0	0	0	0	0		
Gray Scale of Green	Black	GS0	0	0	0	0	0	0	0	0	0	0	0	0	0	0	0	0	0	0	0	0	0	0		
	↑	GS1	0	0	0	0	0	0	0	0	0	0	0	0	0	0	1	0	0	0	0	0	0	0		
	Darker	GS2	0	0	0	0	0	0	0	0	0	0	0	0	0	0	0	1	0	0	0	0	0	0		
	↑	↓					↓							↓									↓			
	↓	↓					↓							↓									↓			
	Brighter	GS253	0	0	0	0	0	0	0	0	0	0	0	0	0	0	1	0	1	1	1	1	1	1		
	↓	GS254	0	0	0	0	0	0	0	0	0	0	0	0	0	0	0	1	1	1	1	1	1	1		
	Green	GS255	0	0	0	0	0	0	0	0	0	0	0	0	0	0	1	1	1	1	1	1	1	1		
Gray Scale of Blue	Black	GS0	0	0	0	0	0	0	0	0	0	0	0	0	0	0	0	0	0	0	0	0	0	0		
	↑	GS1	0	0	0	0	0	0	0	0	0	0	0	0	0	0	0	0	0	0	0	0	0	0		
	Darker	GS2	0	0	0	0	0	0	0	0	0	0	0	0	0	0	0	0	0	0	0	0	0	0		
	↑	↓					↓							↓									↓			
	↓	↓					↓							↓									↓			
	Brighter	GS253	0	0	0	0	0	0	0	0	0	0	0	0	0	0	0	0	0	1	1	1	1	1		
	↓	GS254	0	0	0	0	0	0	0	0	0	0	0	0	0	0	0	0	0	0	1	1	1	1		
	Blue	GS255	0	0	0	0	0	0	0	0	0	0	0	0	0	0	0	0	0	0	1	1	1	1		

0 : Low level voltage,      1 : High level voltage.

Each basic color can be displayed in 256 gray scales from 8 bit data signals. According to the combination of total 48 bit data signals, the 16-million-color display can be achieved on the screen.

## 9. Optical Characteristics

Ta=25 °C, Vcc=+12V

Parameter		Symbol	Condition	Min.	Typ.	Max.	Unit	Remark
Viewing Angle range	Vertical	11	CR 10	80	88	-	Deg.	【Note1,4】
		12		80	88	-	Deg.	
	Horizontal	21, 22		80	88	-	Deg.	
Contrast ratio		C R	=0 °	350	500	-		【Note2,4】
Response Time	Rise +Decay	r + d		-	20	55	ms	【Note3,4】
Chromaticity of white	Wx			0.283	0.313	0.343	-	【Note4】
	Wy			0.299	0.329	0.359	-	
Chromaticity of red	Rx			0.614	0.644	0.674	-	
	Ry			0.307	0.337	0.367	-	
Chromaticity of green	Gx			0.264	0.294	0.324	-	
	Gy			0.574	0.604	0.634	-	
Chromaticity of blue	Bx			0.114	0.144	0.174	-	
	By			0.063	0.093	0.123	-	
Luminance of white		YL		200	250	-	cd/m <sup>2</sup>	IL=6.0mA rms FL=60kHz 【Note4】
White Uniformity		w		-	-	1.25	-	【Note5】

The measurement shall be executed 30 minutes after lighting at rating.

The optical characteristics shall be measured in a dark room or equivalent state with the method shown in Fig.2 below.

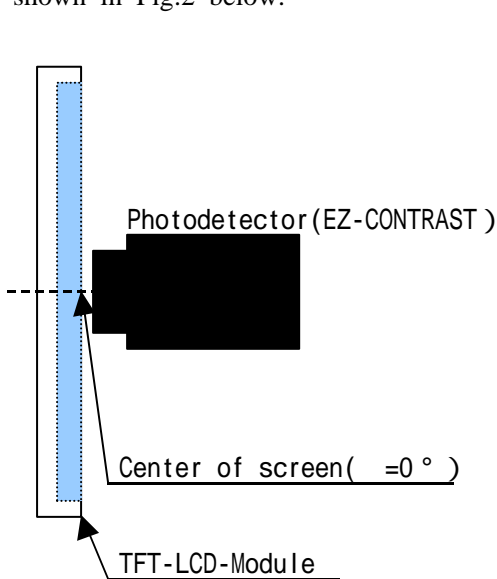


Fig2-1 Viewing angle measurement method

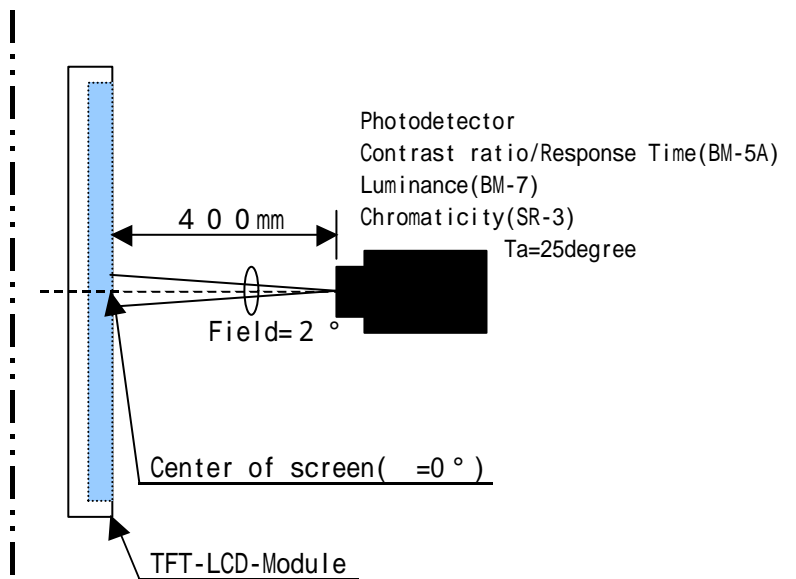
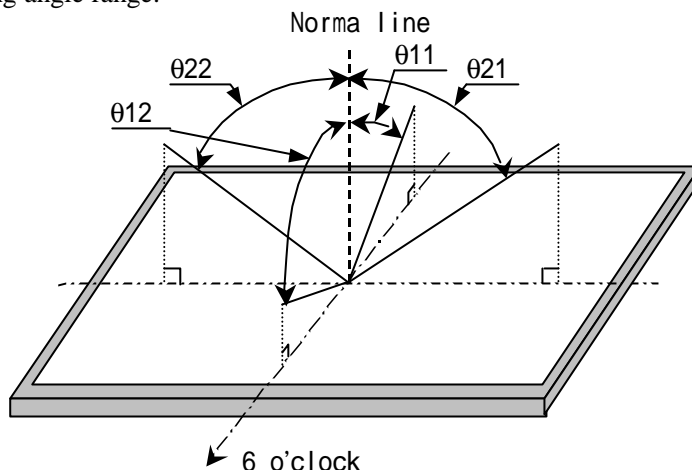


Fig2-2 Luminance/Contrast ratio/Response time/Chromaticity measurement method

Fig2 Optical characteristics measurement

【Note1】 Definitions of viewing angle range:



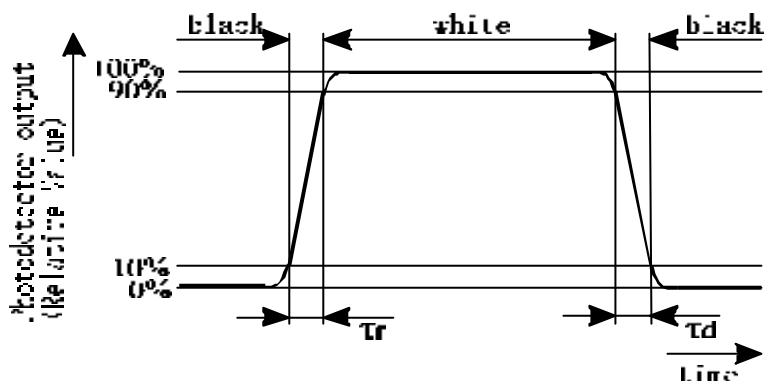
【Note2】 Definition of contrast ratio:

The contrast ratio is defined as the following.

$$\text{Contrast Ratio (CR)} = \frac{\text{Luminance (brightness) with all pixels white}}{\text{Luminance (brightness) with all pixels black}}$$

【Note3】 Definition of response time:

The response time is defined as the following figure and shall be measured by switching the input signal for "black" and "white".



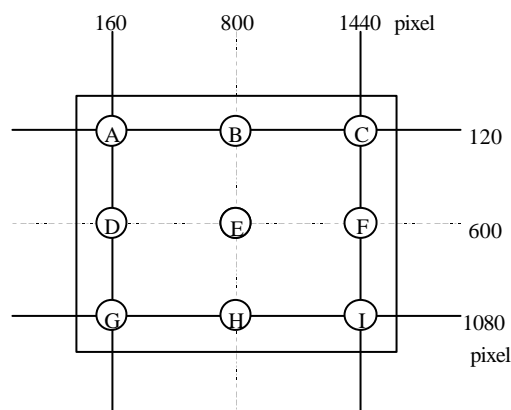
【Note4】 This shall be measured at center of the screen.

【Note5】 Definition of white uniformity:

White uniformity is defined as the following with nine measurements.

(A ~ I).

$$\bar{a}_w = \frac{\text{Maximum Luminance of nine points (brightness)}}{\text{Minimum Luminance of nine points (brightness)}}$$





## 10. Handling Precautions

- a) Be sure to turn off the power supply when inserting or disconnecting the cable. [www.DataSheet4U.com](http://www.DataSheet4U.com)
- b) Be sure to design the cabinet so that the module can be installed without any extra stress such as warp or twist.
- c) Since the front polarize is easily damaged, pay attention not to scratch it.
- d) Since long contact with water may cause discoloration or spots, wipe off water drop immediately.
- e) When the panel surface is soiled, wipe it with absorbent cotton or other soft cloth.
- f) Since the panel is made of glass, it may break or crack if dropped or bumped on hard surface. Handle with care.
- g) Since CMOS LSI is used in this module, take care of static electricity and take the human earth into consideration when handling.
- h) Make sure the mounting holes of the module are grounded sufficiently. Take electro-magnetic interference (EMI) into consideration.
- i) The module has some printed circuit boards (PCBs) on the back side. Take care to keep them from any stress or pressure when handling or installing the module; otherwise some of electronic parts on the PCBs may be damaged.
- j) Observe all other precautionary requirements in handling components.
- k) When some pressure is added onto the module from rear side constantly, it causes display non-uniformity issue, functional defect, etc. So, please avoid such design.
- l) If the stress is applied onto the panel under operating conditions, display defects such as black dots may occur. So, do not press the display with fingers.  
To recover this defect, turn off the power supply and restart after several seconds.

## 11. Packing form

- a) Piling number of cartons : maximum 8 cartons
- b) Packing quantity in one carton : 2 modules
- c) Carton size : 583mm(W) × 478mm(H) × 215mm(D)
- d) Total mass of one carton filled with full modules : 8.9kg

## 12. Reliability test items

[www.DataSheet4U.com](http://www.DataSheet4U.com)

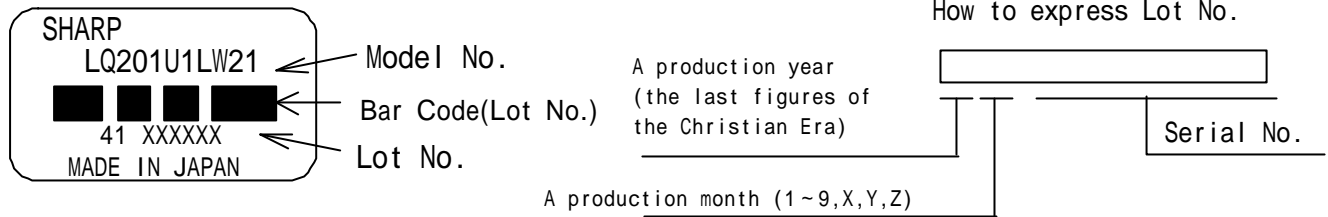
No.	Test item	Conditions
1	High temperature storage test	Ta=60 240h
2	Low temperature storage test	Ta=-25 240h
3	High temperature & high humidity operation test	Ta=40 ; 95%RH 240h (No condensation)
4	High temperature operation test	Ta=50 240h (The panel temp. must be less than 60 )
5	Low temperature operation test	Ta=0 240H
6	Vibration test (non- operating)	Waveform : Sine wave Frequency : 10 ~ 57Hz/Vibration width (one side) : 0.075mm : 58 ~ 500Hz/Gravity : 9.8m/s <sup>2</sup> Sweep time : 11minutes Test period : 3 hours (1 hour for each direction of X,Y,Z)
7	Shock test (non- operating)	Max. gravity : 490m/s <sup>2</sup> Pulse width : 11ms, sine wave Direction : ± X, ± Y, ± Z, once for each direction.
8	Thermal shock test	Ta=-20 ~ 60 ; 5 cycles Test period : 10 hours (1 hour for each temperature)
9	Altitude	Ta=50 , 70kPa, 3,048m (10,000ft), t=24h (Operating) Ta=70 , 12kPa, 15,240m (50,000ft), t=24h (Storage)

### 【Result Evaluation Criteria】

Under the display quality test conditions with normal operation state, these shall be no change which may affect practical display function.

### 13. Others

1) Lot No. and indication Bar Code Label:



2) Packing Label

Model No. (LQ201U1LW21)	Lot No. (Date)	Quantity
社内品番: <b>( 4 S ) LQ201U1LW21</b>		
Bar Code ( )		
Lot NO. : ( 1 T ) 2004. XX. XX		
Bar Code ( )		
Quantity: ( Q )            2    p c s		
Bar Code ( )		
ユーザ品番            :		
シャープ物流用ラベルです。		

3) Adjusting volume have been set optimally before shipment, so do not change any adjusted value.

If adjusted value is changed, the specification may not be satisfied.

4) Disassembling the module can cause permanent damage and should be strictly avoided.

5) Please be careful since image retention may occur when a fixed pattern is displayed for a long time.

6) The chemical compound that causes the destruction of ozone layer is not being used.

7) Warning of mercury and material information of LPG(Light Pipe Guide) are labeled on the back of the module.

<p>・ COLD CATHODE FLUORESCENT LAMP IN LCD PANEL CONTAINS A SMALL AMOUNT OF MERCURY, PLEASE FOLLOW LOCAL ORDINANCES OR REGULATION FOR DISPOSAL</p> <p>・ 当該液晶ディスプレイパネルは蛍光管が組み込まれていますので、地方自治 体の条例、または、規則に従って廃棄ください。</p>
<p><b>MATERIAL INFORMATION</b> <b>&gt;PLASTIC LIGHT GUIDE:PMMA&lt;</b></p>

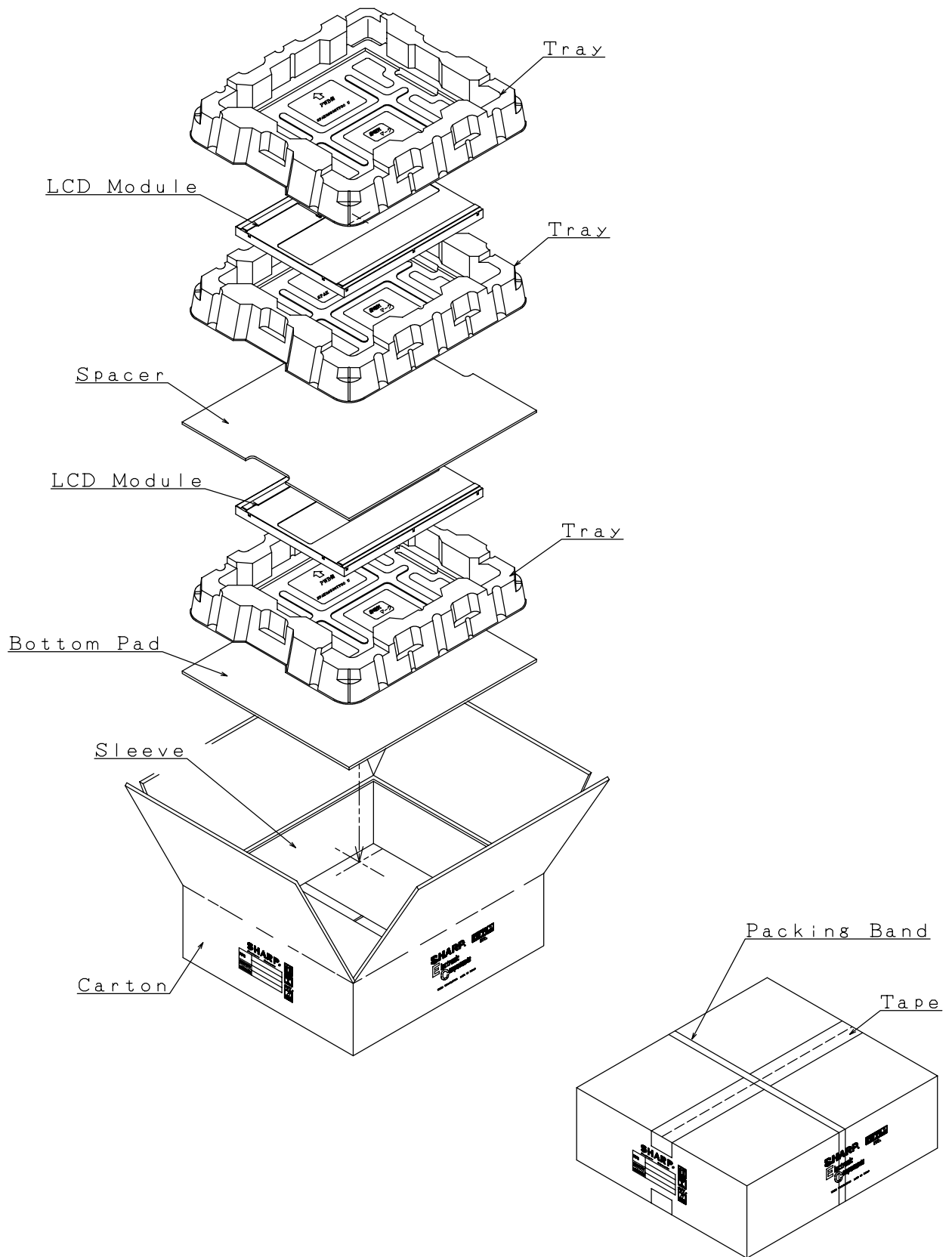
9) This specification document's Japanese language version is also available. Its Number (SPEC. No.) is

LD-16111

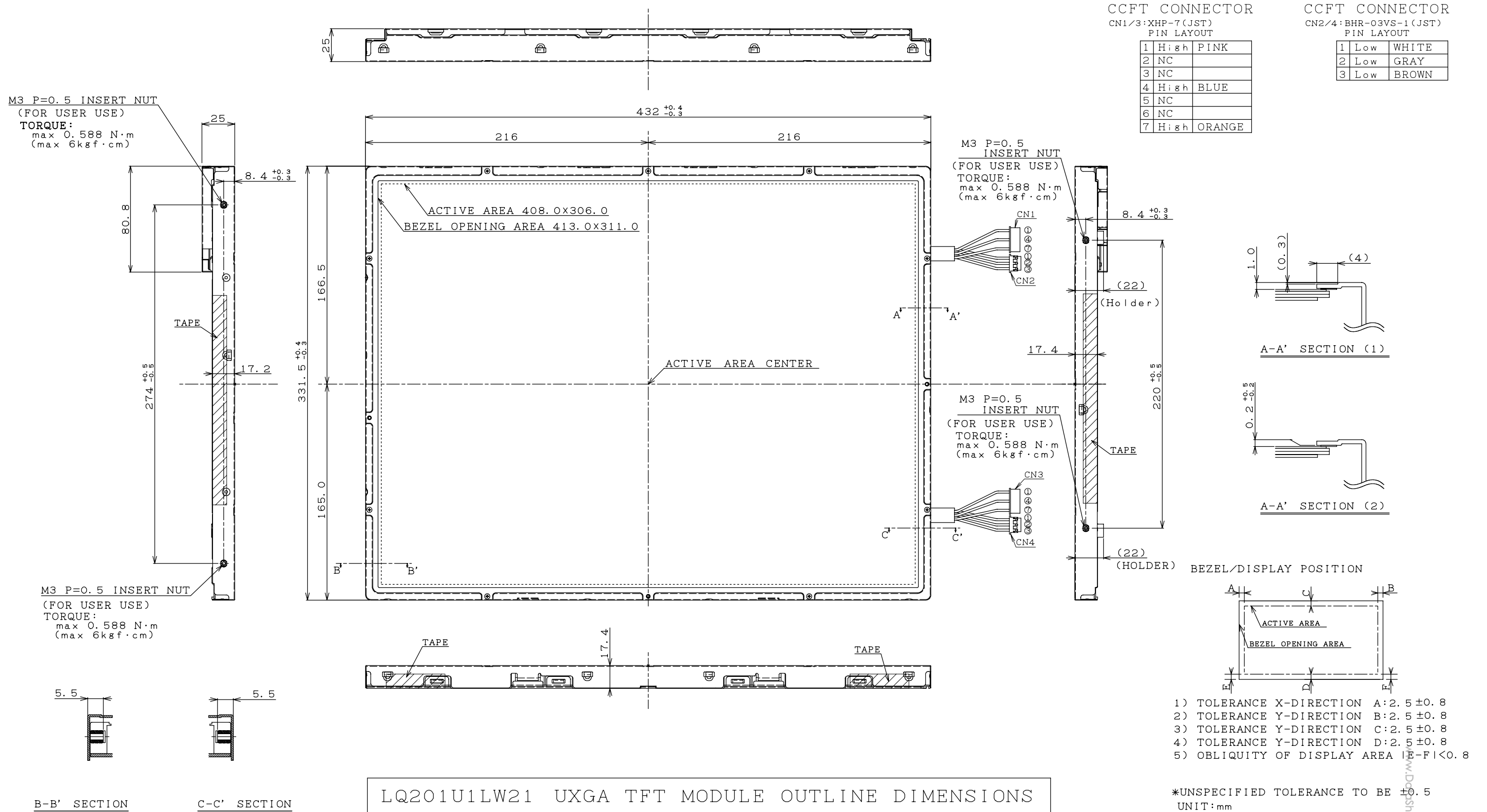
10) When any question or issue occurs, it shall be solved by mutual discussion.

## 14 . Carton storage condition

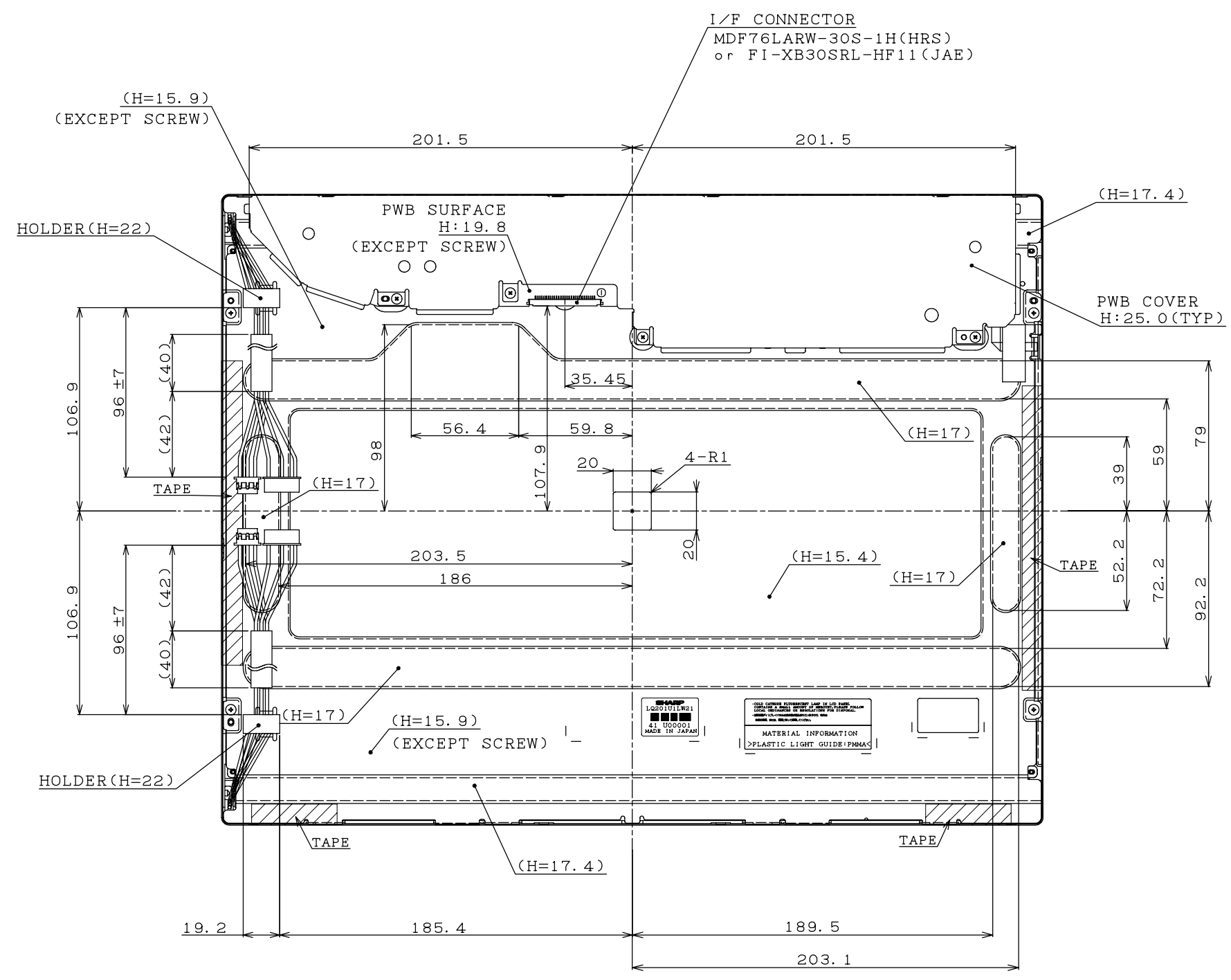
Temperature	0 to 40
Humidity	95%RH or less
Reference condition :	20 to 35 , 85%RH or less (summer) : 5 to 15 , 85%RH or less (winter) • the total storage time (40 ,95%RH) : 240H or less
Sunlight	Be sure to shelter a product from the direct sunlight.
Atmosphere	Harmful gas, such as acid and alkali which bites electronic components and/or wires, must not be detected.
Notes	Be sure to put cartons on palette or base, don't put it on floor, and store them with removing from wall. Please take care of ventilation in storehouse and around cartons, and control changing temperature is within limits of natural environment.
Storage period	1 year



## Packing Form



LQ201U1LW21 UXGA TFT MODULE OUTLINE DIMENSIONS



LQ201U1LW21 UXGA TFT MODULE OUTLINE DIMENSIONS

**SPECIFICATIONS ARE SUBJECT TO CHANGE WITHOUT NOTICE.**

Suggested applications (if any) are for standard use; See Important Restrictions for limitations on special applications. See Limited Warranty for SHARP's product warranty. The Limited Warranty is in lieu, and exclusive of, all other warranties, express or implied. ALL EXPRESS AND IMPLIED WARRANTIES, INCLUDING THE WARRANTIES OF MERCHANTABILITY, FITNESS FOR USE AND FITNESS FOR A PARTICULAR PURPOSE, ARE SPECIFICALLY EXCLUDED. In no event will SHARP be liable, or in any way responsible, for any incidental or consequential economic or property damage.

**SHARP®****NORTH AMERICA**

SHARP Microelectronics of the Americas  
5700 NW Pacific Rim Blvd.  
Camas, WA 98607, U.S.A.  
Phone: (1) 360-834-2500  
Fax: (1) 360-834-8903  
Fast Info: (1) 800-833-9437  
www.sharpsma.com

**EUROPE**

SHARP Microelectronics Europe  
Division of Sharp Electronics (Europe) GmbH  
Sonninstrasse 3  
20097 Hamburg, Germany  
Phone: (49) 40-2376-2286  
Fax: (49) 40-2376-2232  
www.sharpsme.com

**JAPAN**

SHARP Corporation  
Electronic Components & Devices  
22-22 Nagaike-cho, Abeno-Ku  
Osaka 545-8522, Japan  
Phone: (81) 6-6621-1221  
Fax: (81) 6117-725300/6117-725301  
www.sharp-world.com

**TAIWAN**

SHARP Electronic Components  
(Taiwan) Corporation  
8F-A, No. 16, Sec. 4, Nanking E. Rd.  
Taipei, Taiwan, Republic of China  
Phone: (886) 2-2577-7341  
Fax: (886) 2-2577-7326/2-2577-7328

**SINGAPORE**

SHARP Electronics (Singapore) PTE., Ltd.  
438A, Alexandra Road, #05-01/02  
Alexandra Technopark,  
Singapore 119967  
Phone: (65) 271-3566  
Fax: (65) 271-3855

**KOREA**

SHARP Electronic Components  
(Korea) Corporation  
RM 501 Geosung B/D, 541  
Dohwa-dong, Mapo-ku  
Seoul 121-701, Korea  
Phone: (82) 2-711-5813 ~ 8  
Fax: (82) 2-711-5819

**CHINA**

SHARP Microelectronics of China  
(Shanghai) Co., Ltd.  
28 Xin Jin Qiao Road King Tower 16F  
Pudong Shanghai, 201206 P.R. China  
Phone: (86) 21-5854-7710/21-5834-6056  
Fax: (86) 21-5854-4340/21-5834-6057

**Head Office:**

No. 360, Bashen Road,  
Xin Development Bldg. 22  
Waigaoqiao Free Trade Zone Shanghai  
200131 P.R. China  
Email: smc@china.global.sharp.co.jp

**HONG KONG**

SHARP-ROXY (Hong Kong) Ltd.  
3rd Business Division,  
17/F, Admiralty Centre, Tower 1  
18 Harcourt Road, Hong Kong  
Phone: (852) 28229311  
Fax: (852) 28660779  
www.sharp.com.hk  
**Shenzhen Representative Office:**  
Room 13B1, Tower C,  
Electronics Science & Technology Building  
Shen Nan Zhong Road  
Shenzhen, P.R. China  
Phone: (86) 755-3273731  
Fax: (86) 755-3273735