

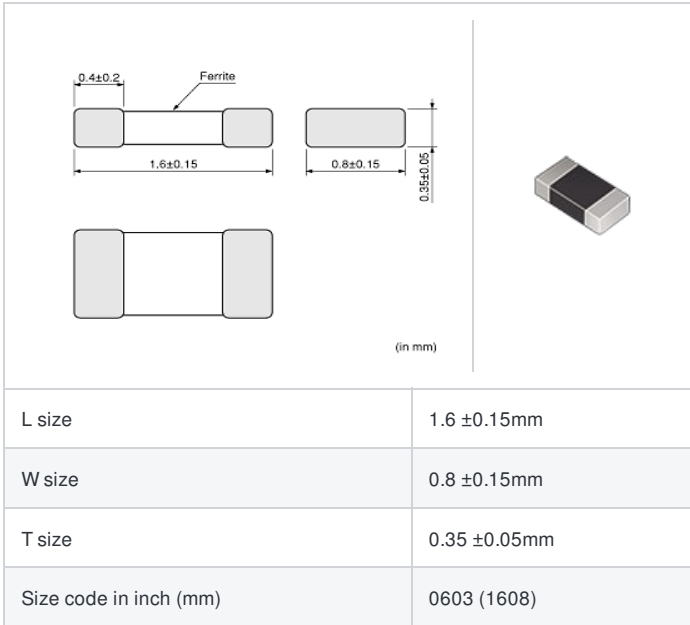
LQM18PN1R5NB0#

indicates a package specification code.



< List of part numbers with package codes >
 LQM18PN1R5NB0L , LQM18PN1R5NB0B

Shape



References

Packaging code	Specifications	Minimum quantity
L	φ 180mm Embossed taping	4000
B	Packing in bulk	1000

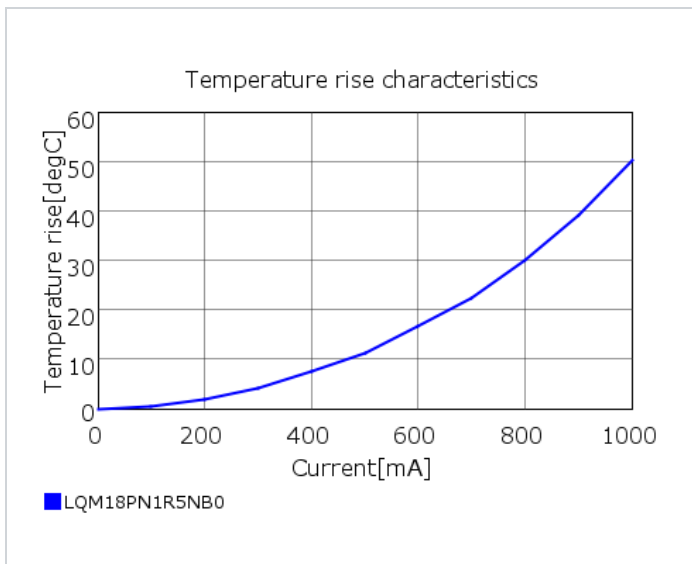
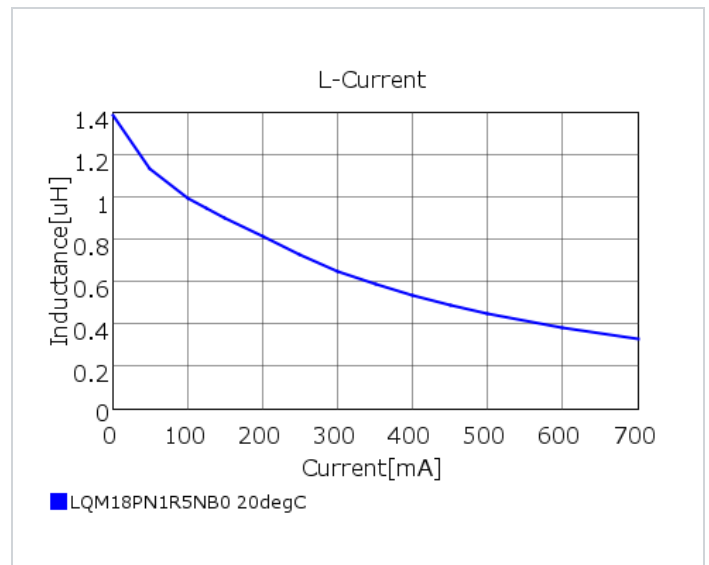
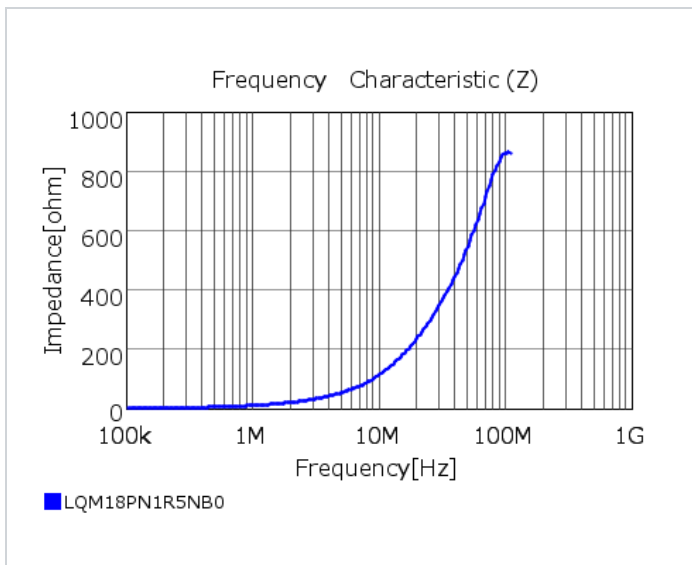
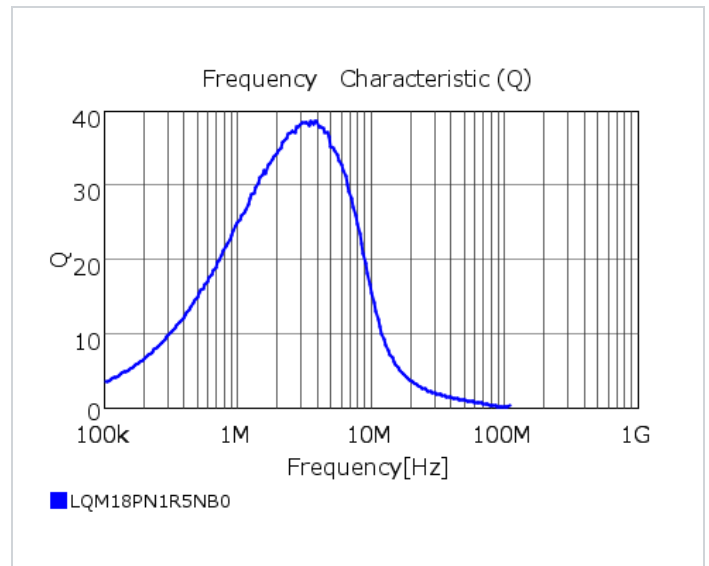
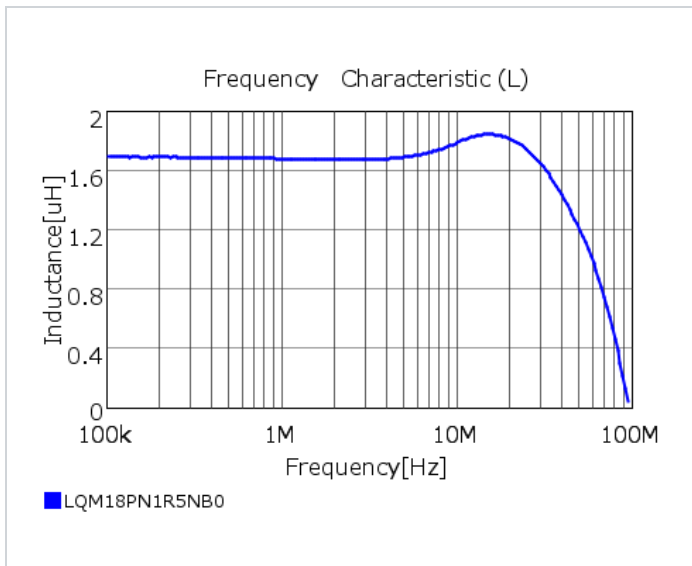
Mass (Typ.)	
1 piece	0.002g

Specifications

Inductance	1.5μH ±30%
Inductance test frequency	1MHz
Rated current (Itemp) (Based on Temperature rise)	600mA
Max. of DC resistance	0.438Ω
Avg. of DC resistance	0.35Ω ±25%
Self resonance frequency (min.)	50MHz
Operating temperature range	-55°C to 125°C
Class of magnetic shield	Ferrite Core
Series	LQM18PN_B0

Attention

- 1.This datasheet is downloaded from the website of Murata Manufacturing Co., Ltd. Therefore, it's specifications are subject to change or our products in it may be discontinued without advance notice. Please check with our sales representatives or product engineers before ordering.
- 2.This datasheet has only typical specifications because there is no space for detailed specifications. Therefore, please review our product specifications or consult the approval sheet for product specifications before ordering.



Attention

- 1.This datasheet is downloaded from the website of Murata Manufacturing Co., Ltd. Therefore, it's specifications are subject to change or our products in it may be discontinued without advance notice. Please check with our sales representatives or product engineers before ordering.
- 2.This datasheet has only typical specifications because there is no space for detailed specifications. Therefore, please review our product specifications or consult the approval sheet for product specifications before ordering.