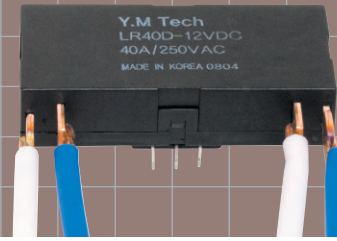


40A COIL LATCH RELAY

LR40D Series



▶ LR40DS-T (1 Coil latching)

2 Form a

Spec.	Nominal voltage VDC	Set voltage VDC(Min)	Reset voltage VDC(Min)	Nominal operating current (mA)	Coil resistance $\pm 10\% \Omega$	Nominal operating power (w)	Maximum allowable voltage
LR40DS-5V	5	3.5	3.5	472	10.6	2.4	6.5
LR40DS-6V	6	4.2	4.2	400	15	2.4	7.8
LR40DS-9V	9	6.3	6.3	265	34	2.4	11.7
LR40DS-12V	12	8.4	8.4	200	60	2.4	15.6
LR40DS-24V	24	16.8	16.8	100	240	2.4	31.2
LR40DS-48V	48	33.6	33.6	50	960	2.4	62.4

Note : 1. Nominal operating current and coil resistance are measured at + 20°C

▶ LR40D-T (2 Coil latching)

2 Form a

Spec.	Nominal voltage VDC	Set voltage VDC(Min)	Reset voltage VDC(Min)	Nominal operating current (mA)		Coil resistance $\pm 10\% \Omega$		Nominal operating power (w)		Maximum allowable voltage
				Set	Reset	Set	Reset	Set	Reset	
LR40D-5V	5	3.5	3.5	943	943	5.3	5.3	4.8	4.8	6.5
LR40D-6V	6	4.2	4.2	800	800	8	8	4.8	4.8	7.8
LR40D-9V	9	6.3	6.3	529	529	17	17	4.8	4.8	11.7
LR40D-12V	12	8.4	8.4	400	400	30	30	4.8	4.8	15.6
LR40D-24V	24	16.8	16.8	200	200	120	120	4.8	4.8	31.2
LR40D-48V	48	33.6	33.6	100	100	480	480	4.8	4.8	62.4

Note : 1. Nominal operating current and coil resistance are measured at + 20°C

▶ Ordering Information

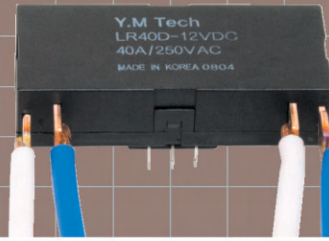
Ex. LR40D S T 12V

Operating function	Terminal	Coil voltage
S : 1 Coil latching - : 2 Coil latching	Lead wire □ Terminal 4.2 ϕ Hole	DC : 5, 6, 9, 12, 24, 48V

Notes 1. Standard packing
- PVC pack. : 20pcs, : Carton case : 200pcs
2. RoHS materials

40A COIL LATCH RELAY

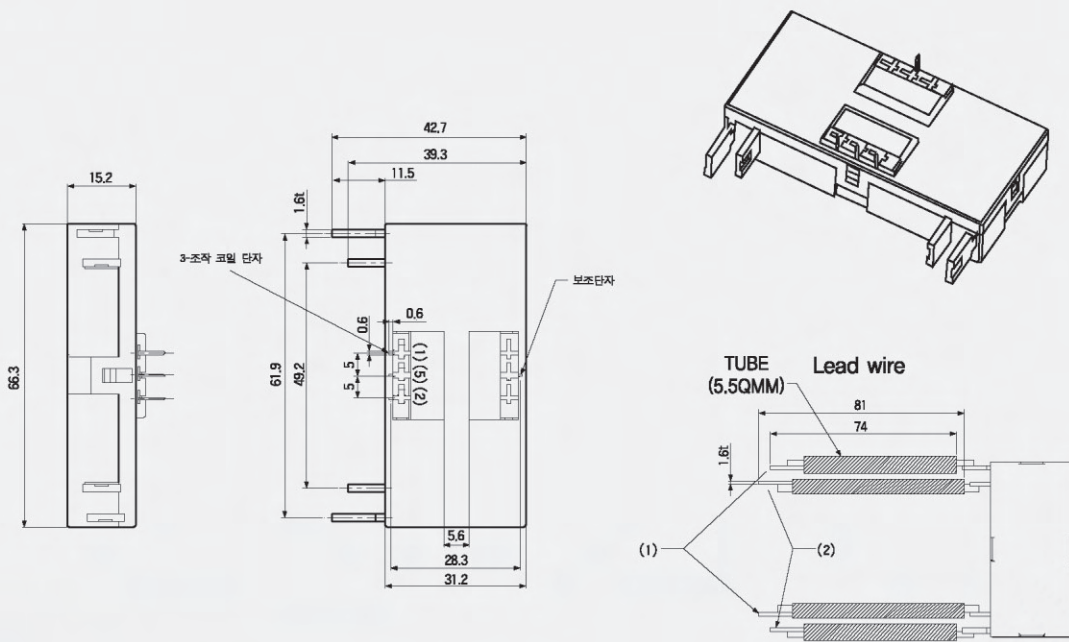
LR40D Series



LR40 Series

▶ Dimensions

LR40-D



ITEM	SPECIFICATION	REMARK
1	670mm	백색 (White)
2	77mm	청색 (Blue)

◆ Operating contact position

Contact position		
Operating Coil Terminals	1(+) 5(-) or 2(-) 5(+)	2(+) 5(-) or 1(-) 5(+)

Notes: Coil Operating Terminals

◆ PC board pattern(Bottom view)

