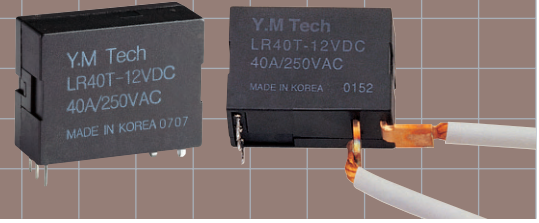


40A COIL LATCH RELAY

LR40 Series



▶ LR40S-T (1 Coil latching)

1 Form a

| Spec. | Nominal voltage VDC | Set voltage VDC(Min) | Reset voltage VDC(Min) | Nominal operating current (mA) | Coil resistance $\pm 10\% \Omega$ | Nominal operating power (w) | Maximum allowable voltage |
|------------|---------------------|----------------------|------------------------|--------------------------------|-----------------------------------|-----------------------------|---------------------------|
| LR40ST-5V | 5 | 4.0 | 4.0 | 294 | 17 | 1.5 | 6.5 |
| LR40ST-6V | 6 | 4.7 | 4.7 | 272 | 22 | 1.5 | 7.8 |
| LR40ST-9V | 9 | 7.2 | 7.2 | 161 | 56 | 1.5 | 11.7 |
| LR40ST-12V | 12 | 9.6 | 9.6 | 120 | 100 | 1.5 | 15.6 |
| LR40ST-24V | 24 | 19.2 | 19.2 | 67 | 360 | 1.5 | 31.2 |
| LR40ST-48V | 48 | 38.4 | 38.4 | 30 | 1,600 | 1.5 | 62.4 |

Note : 1. Nominal operating current and coil resistance are measured at + 20°C

▶ LR40-T (2 Coil latching)

1 Form a

| Spec. | Nominal voltage VDC | Set voltage VDC(Min) | Reset voltage VDC(Min) | Nominal operating current (mA) | | Coil resistance $\pm 10\% \Omega$ | | Nominal operating power (w) | | Maximum allowable voltage |
|------------|---------------------|----------------------|------------------------|--------------------------------|-------|-----------------------------------|-------|-----------------------------|-------|---------------------------|
| | | | | Set | Reset | Set | Reset | Set | Reset | |
| LR40-T 5V | 5 | 4.0 | 4.0 | 588 | 588 | 8.5 | 8.5 | 3 | 3 | 6.5 |
| LR40-T 6V | 6 | 4.7 | 4.7 | 545 | 545 | 11 | 11 | 3 | 3 | 7.8 |
| LR40-T 9V | 9 | 7.2 | 7.2 | 321 | 321 | 28 | 28 | 3 | 3 | 11.7 |
| LR40-T 12V | 12 | 9.6 | 9.6 | 240 | 240 | 50 | 50 | 3 | 3 | 15.6 |
| LR40-T 24V | 24 | 19.2 | 19.2 | 133 | 133 | 180 | 180 | 3 | 3 | 31.2 |
| LR40-T 48V | 48 | 38.4 | 38.4 | 60 | 60 | 800 | 800 | 3 | 3 | 62.4 |

Note : 1. Nominal operating current and coil resistance are measured at + 20°C

▶ Ordering Information

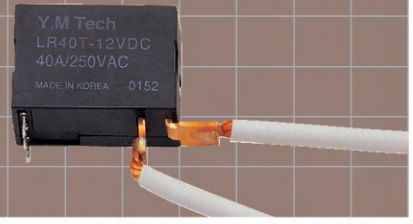
Ex. LR40 — S T 12V

| Operating function | Terminal | Coil voltage |
|---------------------|-------------------------------------------------------------------|------------------------------|
| S : 1 Coil latching | T : Terminal 4.2 ϕ Hole P : PCB Type PH : PCB & Handle | DC : 5, 6, 9, 12, 24, 48V |
| - : 2 Coil latching | C : PCB Type CH : PCB & Handle | Contact position caution |

- Notes 1. Standard packing
 - PVC pack. : 20pcs, : Carton case : 200pcs
 2. RoHS materials

40A COIL LATCH RELAY

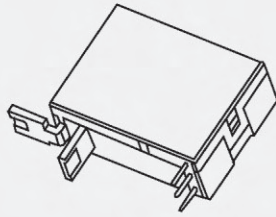
LR40 Series



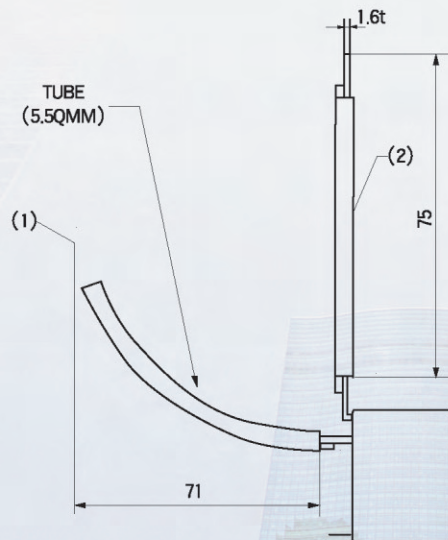
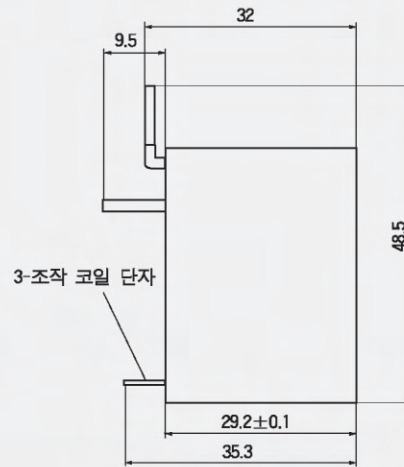
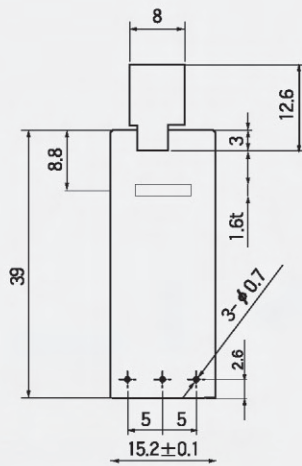
LR40 Series

▶ Dimensions

LR40-T



| ITEM | SPECIFICATION | REMARK |
|------|---------------|--------|
| 1 | 65mm | 청색 |
| 2 | 70mm | 백색 |



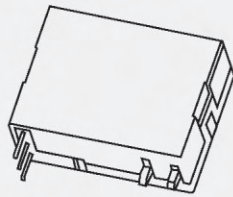
40A COIL LATCH RELAY

LR40 Series



▶ Dimensions

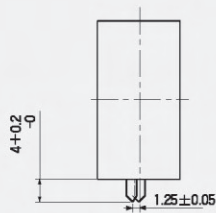
LR40-P



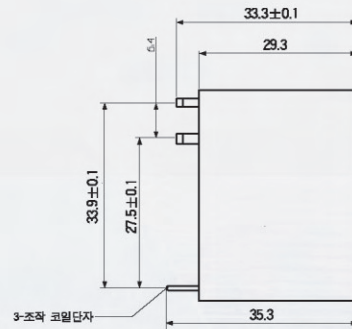
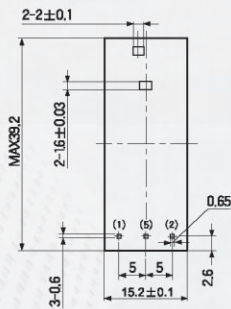
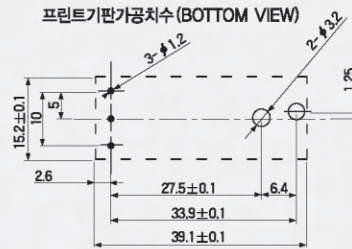
◆ Operating contact position

| Contact position | | |
|--------------------------|---------------------------|---------------------------|
| Operating Coil Terminals | 1(+) 5(-) or 2(-) 5(+) | 2(+) 5(-) or 1(-) 5(+) |

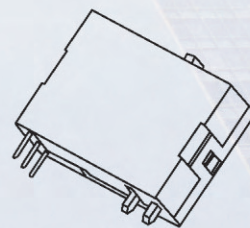
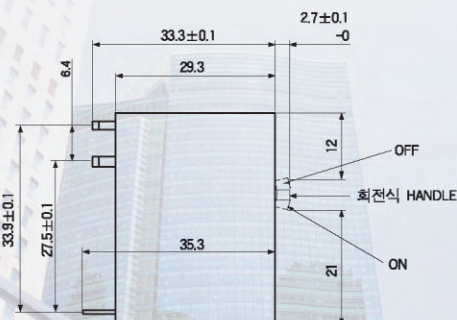
Notes : Coil Operating Terminals



프린트기판가공치수 (BOTTOM VIEW)



LR40-PH



40A COIL LATCH RELAY

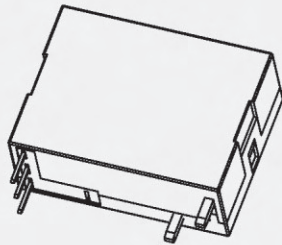
LR40 Series



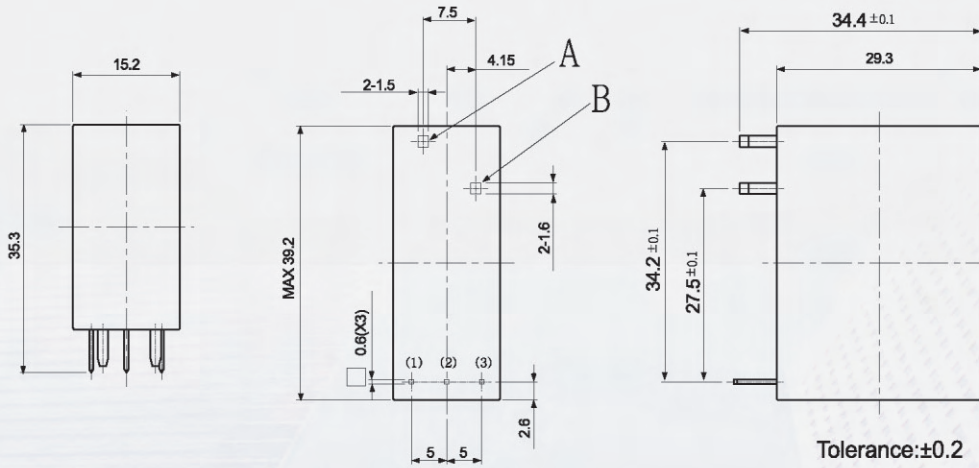
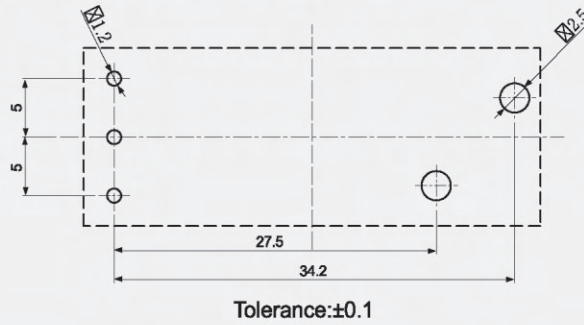
LR40 Series

► Dimensions

LR40-C



◆ PC board pattern(Bottom view)
2 Coil latching type



| Contact Position | | |
|----------------------------------|-----------|-----------|
| 2 Coil latching Coil Terminal | 3(-)/2(+) | 1(-)/2(+) |