

SCHOTTKY BARRIER DIODE

Features

- (1) Small surface mounting type SC-76/SOD323
- (2) Low reverse current and low forward voltage.
- (3) High reliability

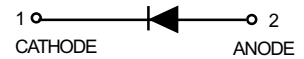
Construction

silicon epitaxial planar

LRB751S-40T1



SC-79/SOD-523



MAXIMUM RATINGS (T_A = 25°C)

| Parameter | Symbol | Limits | Unit |
|----------------------------|------------------|----------|------|
| Peak reverse voltage | V _{RM} | 40 | V |
| DC reverse voltage | V _R | 30 | V |
| Mean rectifying current | I _O | 30 | mA |
| Peak forward surge current | I _{FSM} | 200 | mA |
| Junction temperature | T _j | 125 | °C |
| Storage temperature | T _{stg} | -40~+125 | °C |

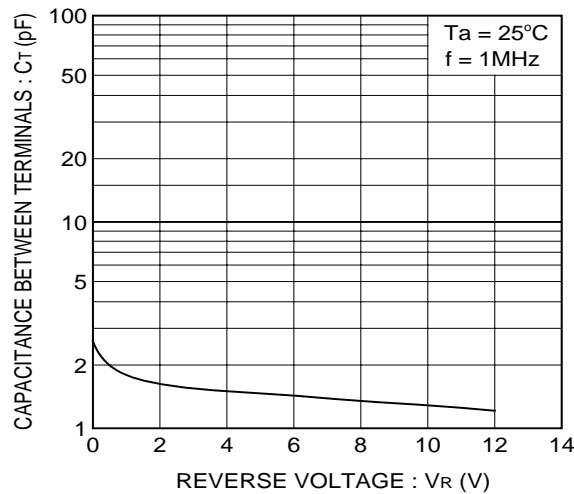
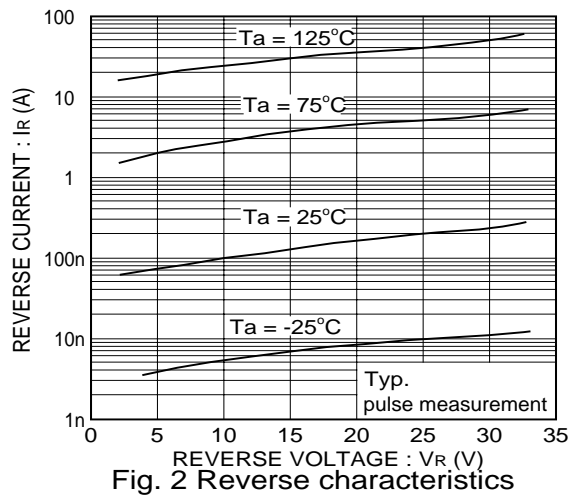
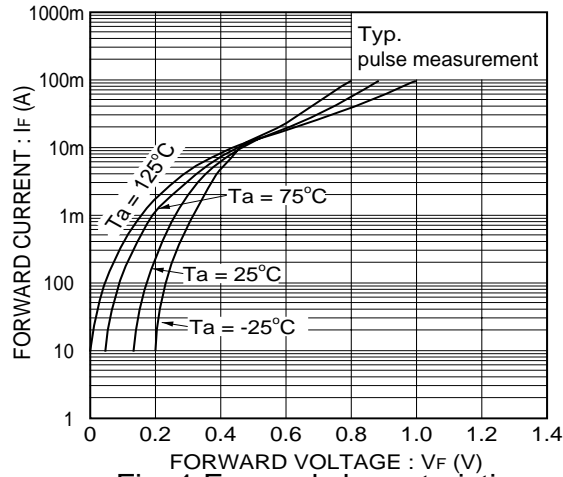
DEVICE MARKING

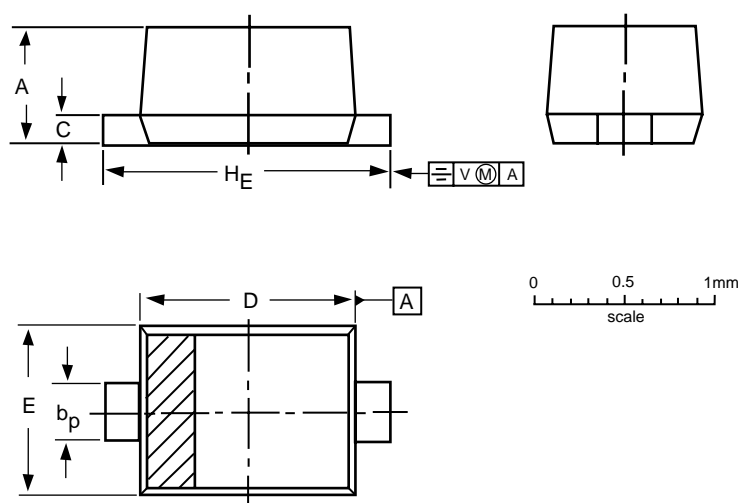
LRB751S-40T1= 5

ELECTRICAL CHARACTERISTICS(T_A = 25°C)

| Parameter | Symbol | Min. | Typ | Max. | Unit | Conditions |
|-------------------------------|----------------|------|-----|------|------|----------------------------|
| Forward voltage | V _F | - | - | 0.37 | V | I _F =1mA |
| Reverse current | I _R | - | - | 0.5 | μA | V _R =30V |
| Capacitance between terminals | C _T | - | 2.0 | - | pF | V _R =1V, f=1MHz |

Electrical characteristic curves ($T_A = 25^\circ\text{C}$)

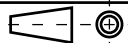


LRB751S-40T1
SC-79/SOD-523

DIMENSIONS (mm are the original dimensions)

| UNIT | A | b_p | c | D | E | H_E | V |
|------|-----|-------|-----|-----|-----|-------|------|
| mm | 0.7 | 0.35 | 0.2 | 1.3 | 0.9 | 1.7 | 0.15 |
| | 0.5 | 0.25 | 0.1 | 1.1 | 0.7 | 1.5 | |

Note

- The marking bar indicates the cathode.

| OUTLINE VERSION | REFERENCES | | | EUROPEAN PROJECTION | ISSUE DATE |
|--------------------|------------|-------|-------|--|------------|
| | IEC | JEDEC | EIAJ | | |
| SOD523 | | | SC-79 |  | 98-11-25 |