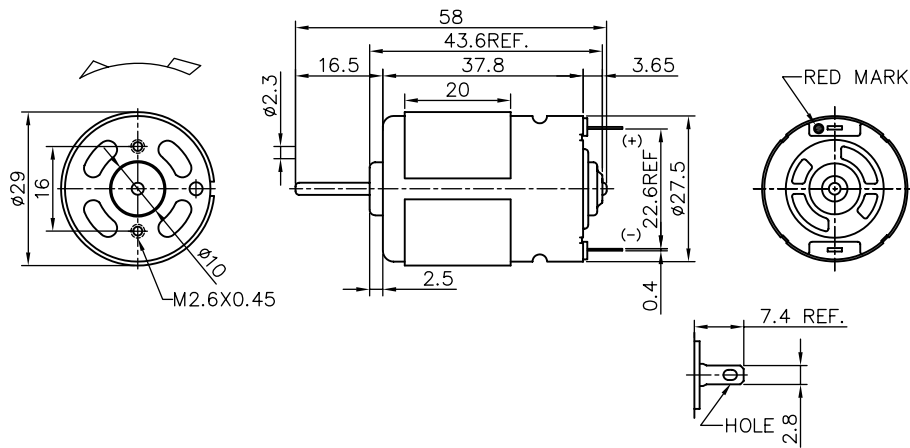


L_3FN series Ø29 mm 0.7-28 W

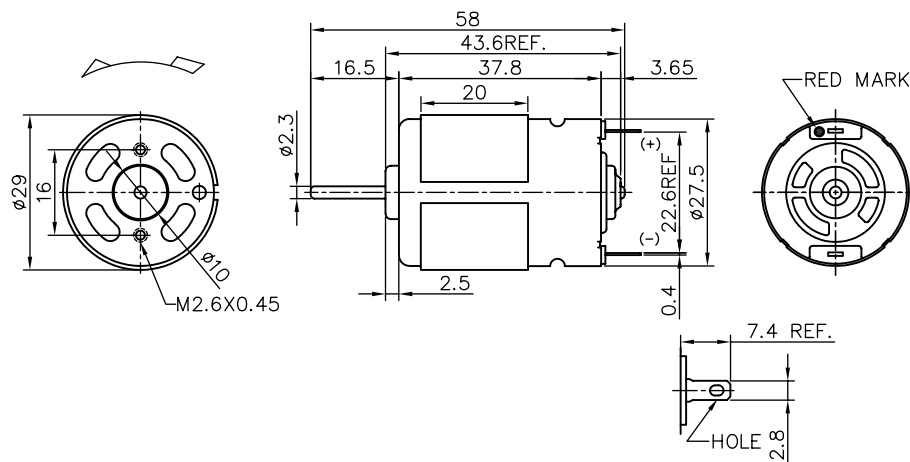


Model - -
 Carbon brush = C V = Varistor
 Metal brush = M C = Capacitor

MOTOR DATA

Part name	LD3FN-5015-CC	LS3FN-12300-CVC	LS3FN-14280-CVC	LD3FN-26110-CVC
Diameter (mm)	29	29	29	29
Length (mm)	37.8	37.8	37.8	37.8
Nominal voltage (V)	4	9.6	12	18
Nominal speed (rpm)	19900	2300	3400	12800
Nominal torque (mNm)	13.2	3.0	4.1	14.6
Nominal current A	10.8	0.2	0.2	1.6
No load speed (rpm)	25000	3100	4300	15000
No load current A	2.10	0.06	0.07	0.22
Stall torque (mNm)	61.5	13.3	23.8	102.9
Starting current (A)	41.9	0.5	1.0	9.9
Output (W)	28	0.7	1.5	20
Efficiency (%)	65	49	57	69
Operating temperature deg. C	-10..+60	-10..+60	-10..+60	-10..+60

L_5FN series Ø29 mm 1.7-24 W



Model - -
 Carbon brush = C V = Varistor
 Metal brush = M C = Capacitor

MOTOR DATA

Part name	LS5FN-3019-CVC	LS5FN-15145-CVC	LS5FN-3035-CC	LS5FN-16120-CVC
Diameter (mm)	29	29	29	29
Length (mm)	37.8	37.8	37.8	37.8
Nominal voltage (V)	2.4	12	12	24
Nominal speed (rpm)	4900	3407	14600	8200
Nominal torque (mNm)	4.4	4.8	15.6	8.0
Nominal current A	1.8	0.3	2.9	0.5
No load speed (rpm)	6500	4300	17500	9700
No load current A	0.50	0.06	0.50	0.08
Stall torque (mNm)	20.8	25.0	84.7	55.9
Starting current (A)	6.7	1.0	13.5	2.6
Output (W)	2.3	1.7	24	7
Efficiency (%)	53	66	68	66
Operating temperature deg. C	-10..+60	-10..+60	-10..+60	-10..+60