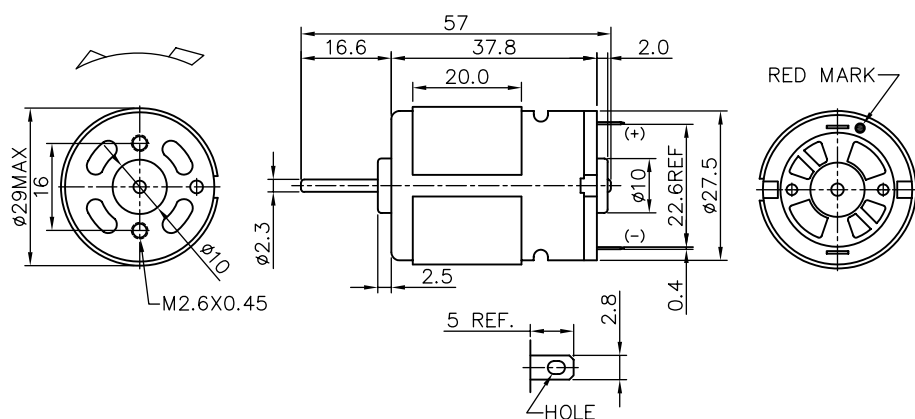


L_3N series Ø29 mm 0.7-8.9 W

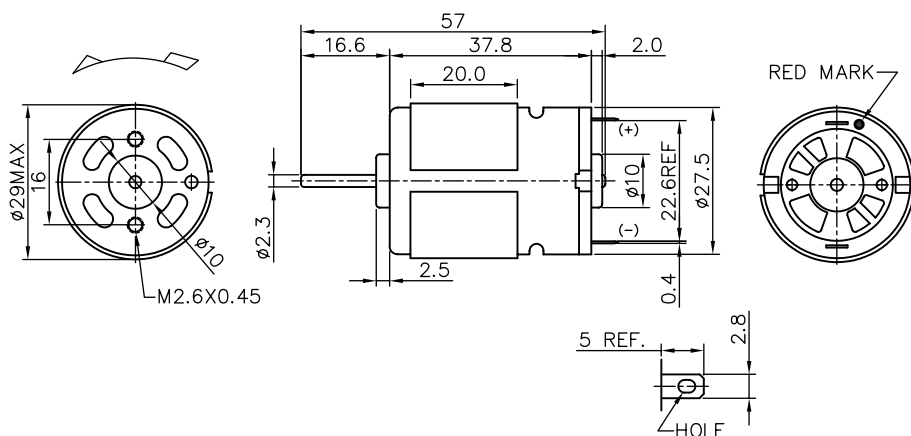


Model - -
 Cabron brush = C V = Varistor
 Metal brush = M C = Capacitor

MOTOR DATA

Part name	LP3N-18200-CVC	LS3N-3558-CVC	LS3N-2870-CVC	LP3N-14350-CVC
Diameter (mm)	29	29	29	29
Lenth (mm)	37.8	37.8	37.8	37.8
Nominal voltage (V)	6	6	7.2	12
Nominal speed (rpm)	2400	8800	8400	2600
Nominal torque (mNm)	2.8	9.6	9.2	5.2
Nominal current A	0.2	2.2	1.7	0.2
No load speed (rpm)	3000	10500	10400	3200
No load current A	0.08	0.40	0.32	0.06
Stall torque (mNm)	19.1	65.5	51.0	25.8
Starting current (A)	1.1	12.6	7.9	0.8
Output (W)	0.7	8.9	8.3	1.4
Efficiency (%)	61	68	66	57
Operating temperature deg. C	-10..+60	-10..+60	-10..+60	-10..+60

L_5N series Ø29 mm 1.4-8.9 W



Model - -
 Cabron brush = C V = Varistor
 Metal brush = M C = Capacitor

MOTOR DATA

Part name	LS3N-3558-CVC	LS3N-2870-CVC	LP3N-14350-CVC	LP5N-2268-CVC
Diameter (mm)	29	29	29	29
Lenth (mm)	37.8	37.8	37.8	37.8
Nominal voltage (V)	6	7.2	12	12
Nominal speed (rpm)	8800	8400	2600	7100
Nominal torque (mNm)	9.6	9.2	5.2	9.1
Nominal current A	2.2	1.7	0.2	0.9
No load speed (rpm)	10500	10400	3200	8600
No load current A	0.40	0.32	0.06	0.14
Stall torque (mNm)	65.5	51.0	25.8	54.9
Starting current (A)	12.6	7.9	0.8	4.4
Output (W)	8.9	8.3	1.4	6.9
Efficiency (%)	68	66	57	65
Operating temperature deg. C	-10..+60	-10..+60	-10..+60	-10..+60