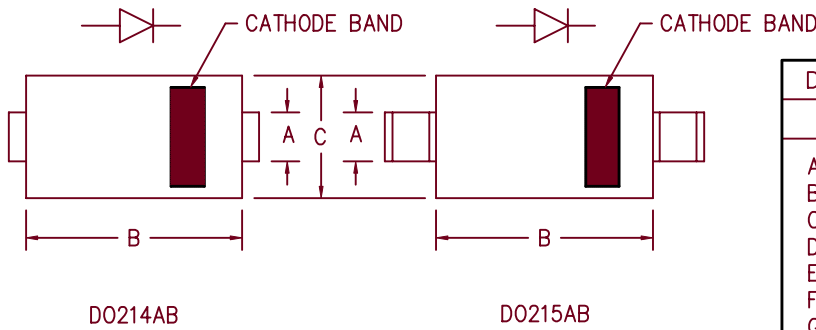
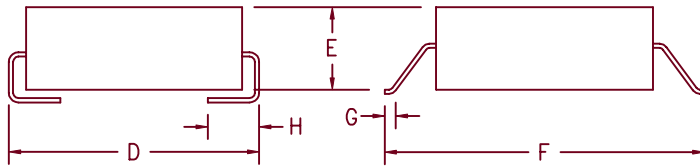


6 Amp Schottky OR'ing Rectifier LSM615



Dim.	Inches		Millimeter		Notes
	Minimum	Maximum	Minimum	Maximum	
A	.117	.123	2.97	3.12	
B	.260	.280	6.60	7.11	
C	.220	.245	5.59	6.22	
D	.307	.322	7.80	8.18	
E	.075	.095	1.91	2.41	
F	.380	.400	9.65	10.16	
G	.025	.040	.640	1.02	
H	.030	.060	.760	1.52	



Microsemi Catalog Number	Working Peak Reverse Voltage	Repetitive Peak Reverse Voltage
LSM615	15V	15V

* Add Suffix J for J Lead or G for Gull Wing Lead Configuration

- Schottky Barrier Rectifier
- $V_f @ 6A, 100^\circ C = 0.22V$
- $125^\circ C$ Junction temperature ($V_R < 5V$)
- Reverse Energy Tested

Electrical Characteristics

Average forward current	$I_F(AV)$ 6 Amps	$T_L = 63^\circ C, V_R = 5V$
Maximum surge current	I_{FSM} 300 Amps	8.3ms, half sine
Max. repetitive reverse current	V_{FM} 2 Amps	$f = 1KHZ, 25^\circ C, 1\mu s$ square wave
Max. peak forward voltage	V_{FM} 0.32 Volts	$I_{FM} = 6A; T_J = 25^\circ C^*$
Typ. peak forward voltage	I_{RM} 0.22 Volts	$I_{FM} = 6A; T_J = 100^\circ C^*$
Max. peak reverse voltage	I_{RM} 4 mA	$V_{RRM, T_J} = 25^\circ C$
Typ. peak reverse voltage	I_{RM} 135 mA	$V_{RRM, T_J} = 100^\circ C$
Typ. peak reverse voltage	I_{RM} 75 mA	$V_R = 5.0V, T_J = 100^\circ C$
Typical junction capacitance	C_J 1250 pF	$V_R = 5.0V, T_J = 25^\circ C$

*Pulse test: Pulse width 300 μ sec, Duty cycle 2%

Thermal and Mechanical Characteristics

Storage temperature range	T_{STG}	$-55^\circ C$ to $150^\circ C$
Operating junction temp range	T_J	$-55^\circ C$ to $125^\circ C$
Maximum thermal resistance – Junction to Lead	$R_{\theta JL}$	$20^\circ C/W$

12-19-02 Rev. 1

LSM615

Figure 1
Typical Forward Characteristics

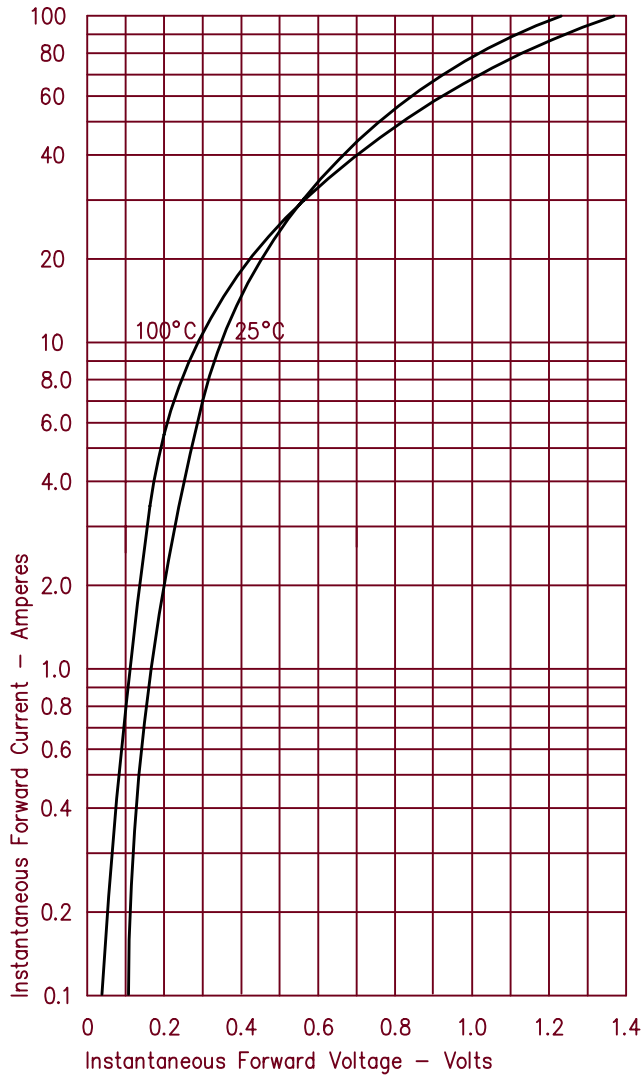


Figure 3
Typical Junction Capacitance

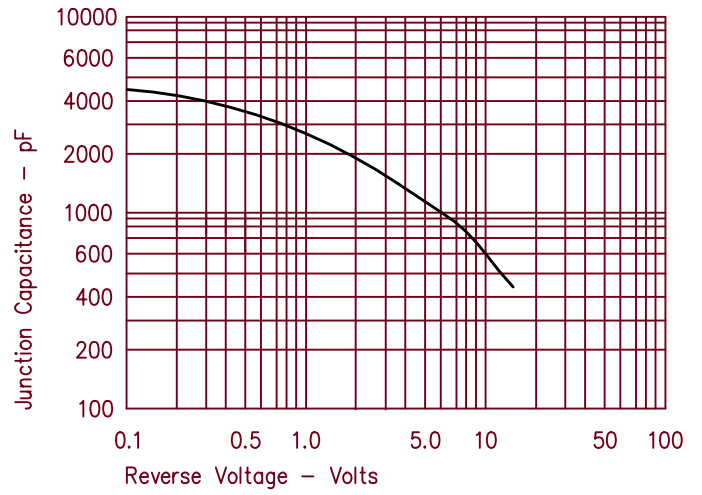


Figure 2
Typical Reverse Characteristics

