

Features

- 2A Output Current
- Wide 4.5V to 18V Operating Input Range
- Integrated Power MOSFET Switches
- Output Adjustable from 0.925V to 12V
- Up to 96% Efficiency
- Programmable Soft-Start
- Stable with Low ESR Ceramic Output Capacitors
- Fixed 360KHZ Frequency
- Cycle-by-Cycle Over Current Protection
- Input Under Voltage Lockout
- Package : SOP-8L

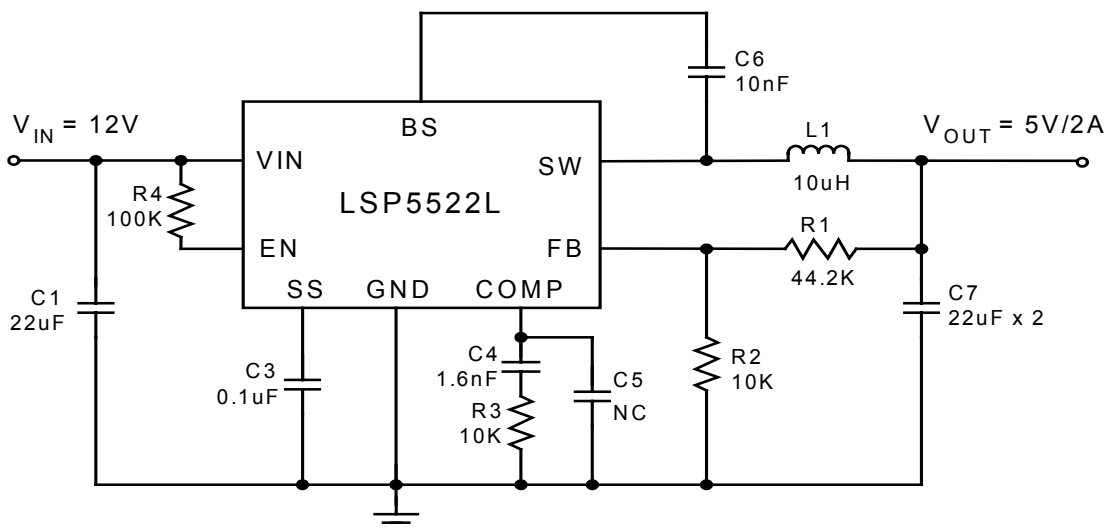
General Description

The LSP5522L is a monolithic synchronous buck regulator. The device integrates 150mΩ MOSFETS that provide 2A continuous load current over a wide operating input voltage of 4.5V to 18V. Current mode control provides fast transient response and cycle-by-cycle current limit. An adjustable soft-start prevents inrush current at turn on. In shutdown mode, the supply current drops below 1uA.

Applications

- Distributed Power Systems
- Networking Systems
- FPGA, DSP, ASIC Power Supplies
- Green Electronics/ Appliances
- Notebook Computers

Typical Application Circuit



Please be aware that an **Important Notice** concerning availability, disclaimers, and use in critical applications of LSC products is at the end of this document.