

## ISDN S-Interface Transformers

### Electrical Specifications @25

(COIL A) Turns Ratio: A:B:C:D=1:1:1:1  $\pm 2\%$  (PRI:SEC)

(COIL B) Turns Ratio: A:B:C:D=1:1:2:2  $\pm 2\%$  (PRI:SEC)

PRI DCL: 22mH Minimum (PIN1-4, PIN5-8) @10KHz 100mV

(COIL A) SEC LL: 5uH Maximum @PRI Shorted @100KHz 100mV

(COIL B) SEC LL: 15uH Maximum @PRI Shorted @100KHz 100mV

Cw/w: 100pF Maximum (PRI/SEC) @10KHz 100mV

(COIL A) PRI Cd: 42pF Maximum

(COIL B) PRI Cd: 80pF Maximum

PRI D.C. Resistance:  $2.4 \pm 25\%$  ohms

(COIL A) SEC D.C. Resistance:  $2.4 \pm 25\%$  ohms

(COIL B) SEC D.C. Resistance:  $4.3 \pm 25\%$  ohms

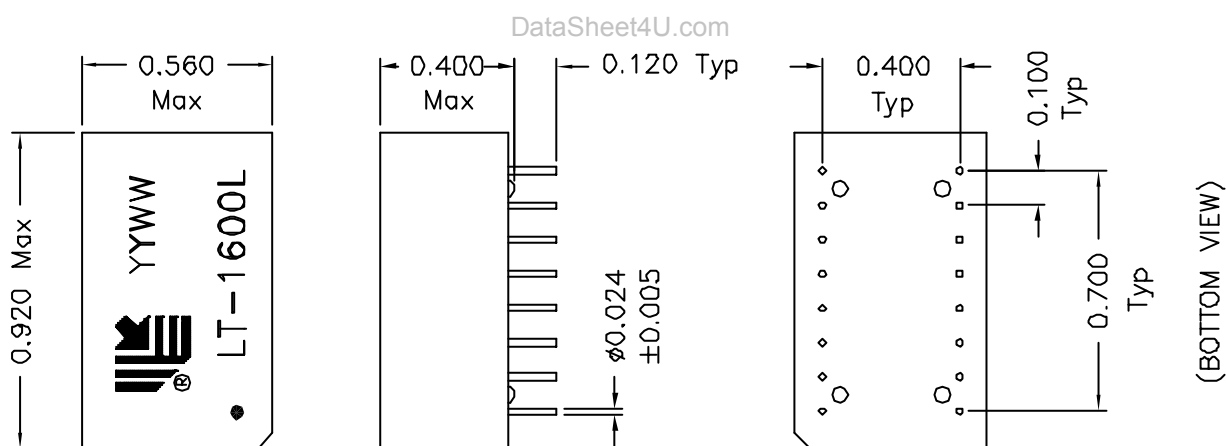
Isolation: 2000Vrms (PRI to SEC)

$\Delta I_{dc}$ : 1mA Maximum

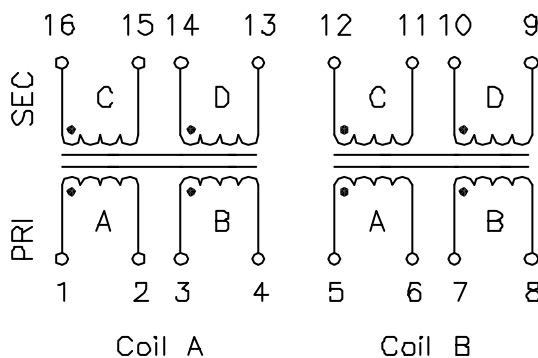
Note: Coil A: PRI PIN1-4 SEC PIN16-13

Coil B: PRI PIN5-8 SEC PIN12-9

### Mechanicals:



### Schematics:



Specification subject to change without notice

P/N: LT-1600L	DIMENSIONS IN inch	Unless otherwise specified Dim. Tolerances are: .xxx $\pm 0.010$	REV: A1	DRWN:	DATE: 03-08-25
	SCALE: NONE		PAGE: 1/1	APPD:	DATE: