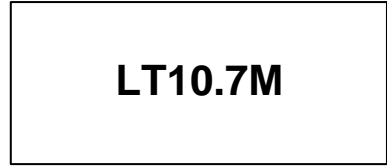


## LT10.7M Series Ceramic Filter

LT10.7M series are 10.7MHz ceramic filters widely used in telecommunication, cable, radar, TV set, tape recorder, video camera and other electronic products due to its lower price and stable performances.



### Specifications:

#### Frequency Range(fc):

**LT10.7M Series:** 10.7MHz

**Operating Temperature:** -20°C ~ +80°C Standard

**Storage Temperature:** -40°C ~ +85°C

**3dB Bandwidth:**

LT10.7MA20:	330 ± 50KHz
LT10.7MA5:	280 ± 50KHz
LT10.7MS2:	230 ± 50KHz
LT10.7MS3:	180 ± 50KHz
LT10.7MJ:	150 ± 50KHz
LT10.7MH:	110 ± 50KHz

**20dB Bandwidth:**

LT10.7MA20:	680KHz
LT10.7MA5:	650KHz
LT10.7MS2:	600KHz
LT10.7MS3:	520KHz
LT10.7MJ:	400KHz
LT10.7MH:	350KHz

**Stop Band Attenuation:** 30 ~ 40dB min (9 ~ 12KHz)

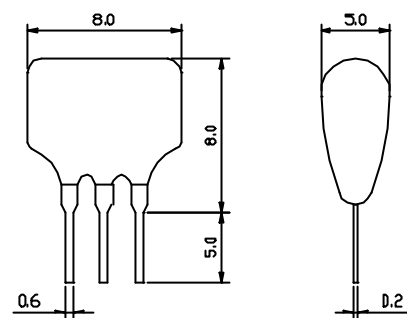
**Insertion Loss:** 6.0 ~ 10.0dB max

**Input/Output Impedance:** 330Ω

#### Note:

1. Other frequencies, bandwidth ranges available. Consult VTC Support for specific requirements.
2. Not all combinations of the above bandwidth ranges are available. Consult VTC Support if your requirement is not standard.
3. All specifications subject to change without notice.

### LT10.7M Series



All dimensions are in mm

### Ordering Information

Product name + Frequency + Bandwidth Code.

i.e. LT10.7MS2