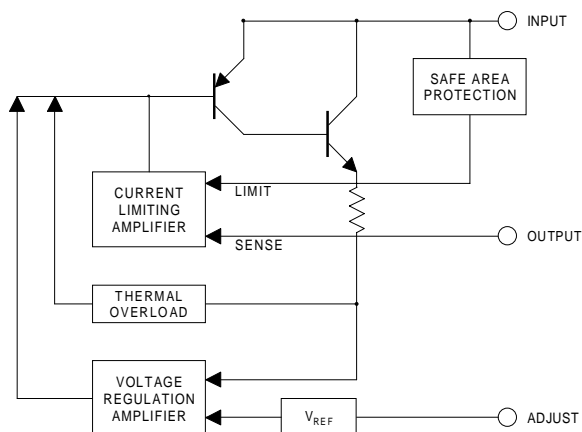


5 AMP POSITIVE VOLTAGE REGULATOR

FEATURES

- Low Dropout Performance
- Fixed or Adjustable Voltages
- Fixed Output Voltages of 3.3V, 5V & 12V
- Adjustable Output Voltage Range From 1.2V
- Line Regulation 0.015% / V Typical.
- Load Regulation 0.01% Typical.
- Available in Hermetically Sealed TO-3, SMD1 and TO-257 (isolated & non-isolated) Packages.
- Military Temperature Range (-55 to +150°C)



DESCRIPTION

The LT1084 voltage regulators are monolithic integrated circuits designed for use in applications requiring a well regulated positive output voltage with low input-output differential voltage.

Features include full power usage of up to 5A load current, internal current limiting and thermal shutdown. Safe area protection on the die is also included, providing protection of the series pass Darlington transistor under most conditions.

The hermetically sealed TO-3 packages are utilised for high reliability and low thermal resistance, whilst the SMD1 package is designed for surface mount applications.

ABSOLUTE MAXIMUM RATINGS (T_{case} = 25°C unless otherwise stated)

Parameter	Description	TO-3	Control	Power	Value
V _{IN}	Input – Output Voltage Differential				35V
P _D	Power Dissipation				Internally limited *
R _{θJC}	Thermal Resistance Junction To Case	TO-3	Control	Power	0.76°C / W 2.3°C / W
R _{θJC}	Thermal Resistance Junction To Case	SMD1	Control	Power	0.79°C / W 4.0°C / W
R _{θJC}	Thermal Resistance Junction To Case	TO-257	Control	Power	0.79°C / W 4.0°C / W
T _J	Operating Junction Temperature Range		Control	Power	-55 to 150°C -55 to 200°C
T _{STG}	Storage Temperature Range				-65 to 150°C
T _{LEAD}	Lead Temperature (for 10 sec.)				300°C

* These ratings are only applicable for power dissipations of 30 Watts over a limited range of V_{IN} – V_{OUT}.

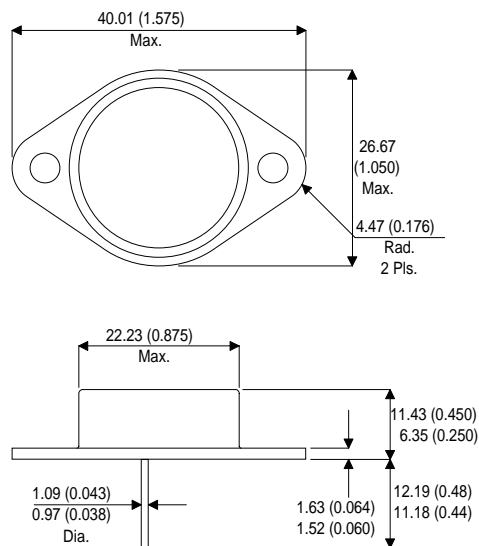
ELECTRICAL CHARACTERISTICS ($T_J = 25^\circ\text{C}$ Unless otherwise stated)

Parameter	Output Voltage	Test Conditions 1,2	Min.	Typ.	Max.	Unit
V_O ⁴ Output Voltage	3.3	$V_{IN} - V_{OUT} = 6.3\text{V}$ $I_O = 10\text{mA}$	3.267	3.3	3.333	V
		$I_O = 10\text{mA to } 5\text{A}$ $T_J = \text{Over Temp}^3$	3.234	3.3	3.366	
	5	$V_{IN} - V_{OUT} = 8\text{V}$ $I_O = 10\text{mA}$	4.95	5	5.05	
		$I_O = 10\text{mA to } 5\text{A}$ $T_J = \text{Over Temp}^3$	4.90	5	5.10	
	12	$V_{IN} - V_{OUT} = 15\text{V}$ $I_O = 10\text{mA}$	11.88	12	12.12	
		$I_O = 10\text{mA to } 5\text{A}$ $T_J = \text{Over Temp}^3$	11.76	12	12.24	
V_{REF} ⁴ Reference Voltage	ADJ.	$V_{IN} - V_{OUT} = V_O + 3\text{V}$ $I_O = 10\text{mA}$	1.238	1.25	1.262	V
		$I_O = 10\text{mA to } 5\text{A}$ $T_J = \text{Over Temp}^3$	1.225	1.25	1.270	
$REG_{(LINE)}$ ⁴ Line Regulation		$V_{IN} - V_{OUT} = 1.5 \text{ to } 15\text{V}$ $I_O = 10\text{mA}$	$T_J = 25^\circ\text{C}$	0.015	0.2	%
			$T_J = \text{Over Temp}^3$	0.035		
		$V_{IN} - V_{OUT} = 1.5 \text{ to } 35\text{V}$ $T_J = \text{Over Temp}^3$		0.05	0.5	%
$REG_{(LOAD)}$ ⁴ Load Regulation		$V_{IN} - V_{OUT} = 3\text{V}$	$T_J = 25^\circ\text{C}$	0.1	0.3	%
			$T_J = \text{Over Temp}^3$	0.2	0.4	
V_D Dropout Voltage		$\Delta V_{OUT}, \Delta V_{REF} = 1\%$ $T_J = \text{Over Temp}^3$		1.3	1.5	V
I_{CL} Current Limit		$V_{IN} - V_{OUT} = 5\text{V}$ $V_{IN} - V_{OUT} = 25\text{V}$	$T_J = \text{Over Temp}^3$	5.5	6.5	A
			$T_J = \text{Over Temp}^3$	0.3	0.6	
I_Q Quiescent Current		$V_{IN} - V_{OUT} = 35\text{V}$ $T_J = \text{Over Temp}^3$			10	mA
$REG_{(THERM)}$ Thermal Regulation		$t_p = 30\text{ms}$ $T_J = 25^\circ\text{C}$		0.002	0.01	% / W
I_{PIN} Adjust Pin Current			$T_J = 25^\circ\text{C}$	55		μA
			$T_J = \text{Over Temp}^3$		120	
ΔI_{PIN} Adjust Pin Current Change		$T_J = \text{Over Temp}^3$		0.2	5	μA
T_S Temperature Stability		$V_{IN} - V_{OUT} = 5\text{V}$ $T_J = \text{Over Temp}^3$		0.5		%
I_O Minimum Load Current		$V_{IN} - V_{OUT} = 25\text{V}$ $T_J = \text{Over Temp}^3$		5	10	mA
V_N RMS Output Noise ⁵		$T_J = 25^\circ\text{C}$		0.003		% V_O
R_A Ripple Rejection Ratio ⁶		$V_{IN} - V_{OUT} = 3\text{V}$ $T_J = \text{Over Temp}^3$		60	75	dB

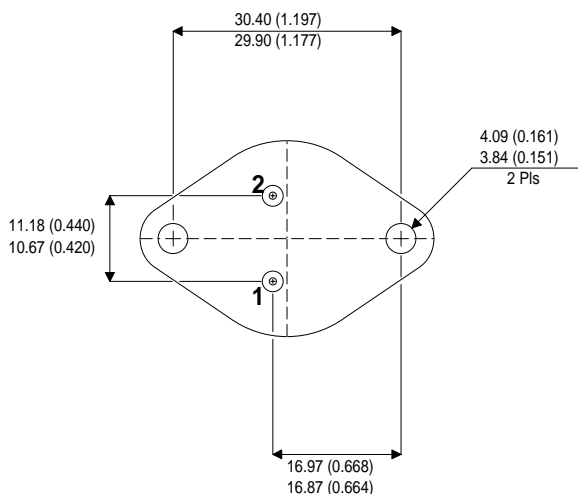
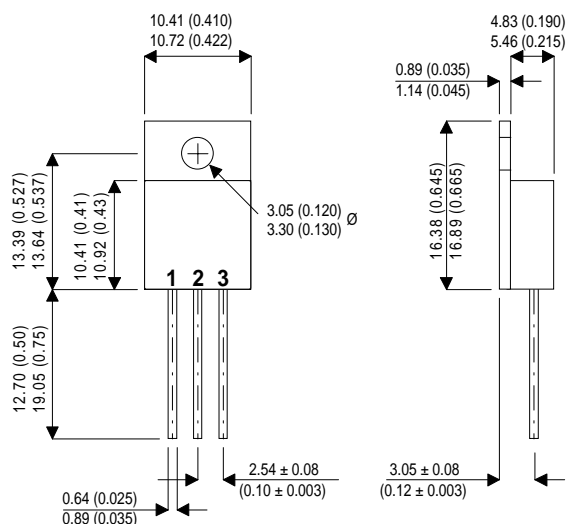
Notes

- Test Conditions unless otherwise stated: $V_{IN} = 1.5 \text{ to } 35\text{V}$, or Maximum Input, whichever is less.
 $I_O = 10\text{mA to } 5\text{A}$.
- These specifications are only applicable for power dissipations of 45 Watts over a limited range of $V_{IN} - V_{OUT}$.
- Over Temp. = Over specified Junction Temperature Range (See Absolute Maximum Ratings).
- Low duty cycle pulse test with Kelvin connections required. Changes in output voltage are covered under the specification for thermal regulation.
- Bandwidth of 10Hz to 10kHz.
- 120Hz input ripple, 15V = 64dB min. $C_{OUT} (C_{ADJ}) = 25\mu\text{F}$.

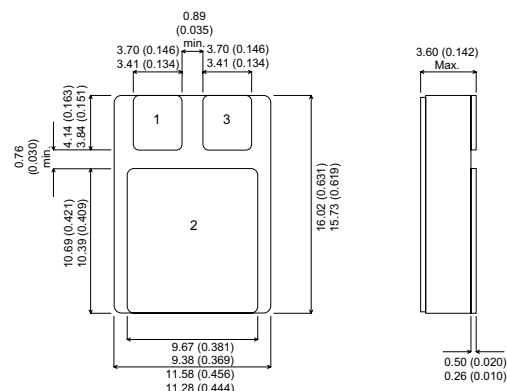
K Package (TO-3)



G & IG Packages (TO-257)



SMD1 Package



LT1084MK

Pin	Fixed	Adjustable
1	COMMON	ADJUST
2	INPUT	INPUT
Case is OUTPUT		

LT1084MSM

Pin	Fixed	Adjustable
1	COMMON	ADJUST
2	OUTPUT	OUTPUT
3	INPUT	INPUT

LT1084MG

Pin	Fixed	Adjustable
1	COMMON	ADJUST
2	OUTPUT	OUTPUT
3	INPUT	INPUT
Case is OUTPUT		

LT1084MIG

Pin	Fixed	Adjustable
1	COMMON	ADJUST
2	OUTPUT	OUTPUT
3	INPUT	INPUT
Case is ISOLATED		