

### Features

- \* HIGH EFFICIENCY GREEN
- \* HIGH LIGHT OUTPUT
- \* RELIABLE AND RUGGED
- \* IC COMPATIBLE

### Absolute Maximum Ratings at T<sub>A</sub>=25°C

REVERSE VOLTAGE .....	5.0 V
D.C. FORWARD CURRENT .....	30 mA
PULSE CURRENT (1/10 DUTY CYCLE, 0.1 ms PULSE WIDTH) .....	100 mA
OPERATING TEMPERATURE RANGE .....	-25°C TO +85°C
STORAGE TEMPERATURE RANGE .....	-25°C TO +100°C
LEAD SOLDERING TEMP. (1.6mm FROM BODY) .....	260°C FOR 5 SEC

### Electrical/Optical Characteristics at T<sub>A</sub>=25°C

PART NUMBER	LED CHIP		LEN'S COLOR	PEAK WAVELENGTH @20mA(nm)	FORWARD VOLTAGE @20mA(V)		LUMINOUS INTENSITY @20mA(mcd)		VIEW ANGLE 2θ <sub>1/2</sub> (deg)
	MATERIAL	EMITTING COLOR			TYP.	MAX.	MIN.	TYP.	
LT1821-81-HE	GaP	GREEN	G.D.	567	2.1	3.0	58	96	41
LT1822-81-HE	GaP	GREEN	W.D.	567	2.1	3.0	58	96	41
LT1823-81-HE	GaP	GREEN	W.C.	567	2.1	3.0	300	500	19
LT1824-81-HE	GaP	GREEN	G.C.	567	2.1	3.0	300	500	19

(1) LENS COLOR

G.D. GREEN DIFFUSED

W.D. WHITE DIFFUSED

G.C. GREEN CLEAR

W.C. WATER CLEAR

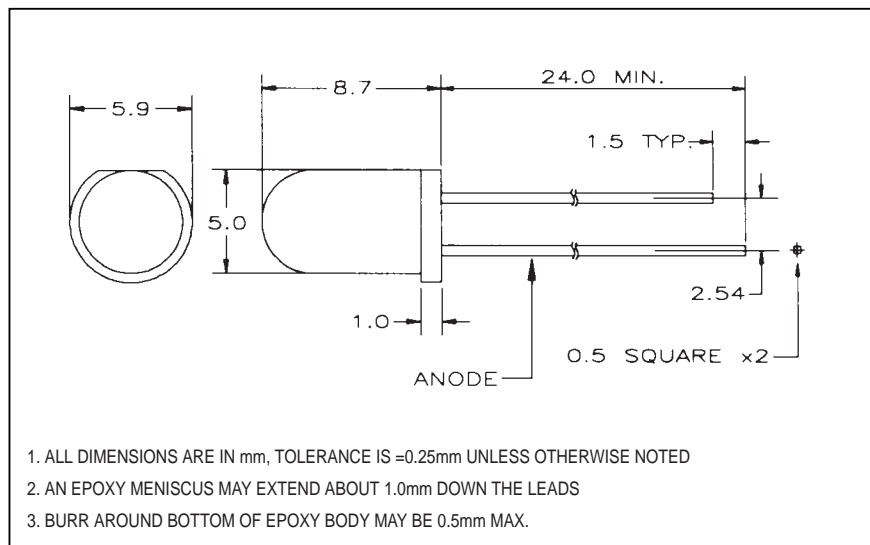
(2) SPECIFICATIONS ARE SUBJECT TO CHANGE

WITHOUT NOTICE.

(3) ALL ABOVE COMPONENTS ARE CONSIDERED.

DEVIATIONS FROM STATED SPECIFICATIONS WILL REQUIRE A NEW PART NUMBER BE ASSIGNED.

### Package Dimensions



### Radiation Pattern

