

Features

- * LOW CURRENT REQUIREMENTS
- * HIGH LIGHT OUTPUT
- * RELIABLE AND RUGGED
- * IC COMPATIBLE

Absolute Maximum Ratings at $T_A=25^\circ\text{C}$

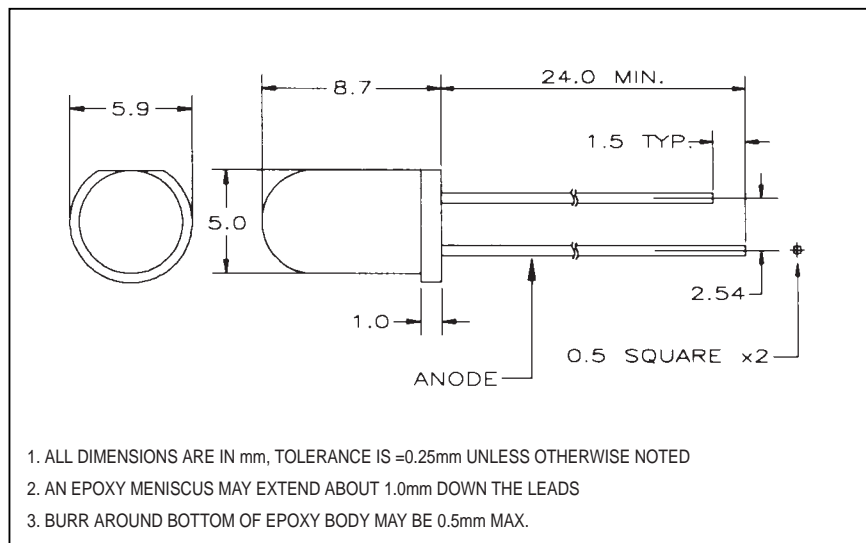
REVERSE VOLTAGE	GaAsP RED 3.0 V, OTHER 5.0 V
D.C. FORWARD CURRENT	30 mA
PULSE CURRENT (1/10 DUTY CYCLE, 0.1 ms PULSE WIDTH)	100 mA
OPERATING TEMPERATURE RANGE	-25°C TO +85°C
STORAGE TEMPERATURE RANGE	-25°C TO +100°C
LEAD SOLDERING TEMP. (1.6mm FROM BODY)	260°C FOR 5 SEC

Electrical/Optical Characteristics at $T_A=25^\circ\text{C}$

PART NUMBER	LED MATERIAL	CHIP EMITTING COLOR	LEN'S COLOR		PEAK WAVELENGTH @20mA(nm)	FORWARD VOLTAGE @20mA(V)		LUMINOUS INTENSITY @20mA(mcd)		VIEW ANGLE $2\theta_{1/2}$ (deg)
			R.D.	W.D.		TYP.	MAX.	MIN.	TYP.	
_____	GaAsP	RED	R.D.	W.D.	655	---	---	---	---	---
_____	GaP	RED	R.D.	W.D.	700	---	---	---	---	---
LT1821-81-LC	GaP	GREEN	G.D.	W.D.	567	1.8	2.2	1.3	2.2	44
LT1831-81-LC	GaAsP ON GaP	YELLOW	Y.D.	W.D.	585	1.8	2.2	1.1	1.8	44
LT1841-81-LC	GaAsP ON GaP	ORANGE	O.D.	W.D.	635	1.8	2.2	1.5	2.6	44
LT1841R-81-LC	GaAsP ON GaP	ORANGE	R.D.		635	1.8	2.2	1.5	2.6	44
_____	GaAsP	RED	W.C.	R.C.	655	---	---	---	---	---
_____	GaP	RED	W.C.	R.C.	700	---	---	---	---	---
LT1823-81-LC	GaP	GREEN	W.C.	G.C.	567	1.8	2.2	4.5	7.6	22
LT1833-81-LC	GaAsP ON GaP	YELLOW	W.C.	Y.C.	585	1.8	2.2	3.7	6.2	22
LT1843-81-LC	GaAsP ON GaP	ORANGE	W.C.	O.C.	635	1.8	2.2	5.3	8.8	22
	LT1844R-81-LC	GaAsP ON GaP		R.C.	635	1.8	2.2	5.3	8.8	22

- (1) LENS COLOR G.D. GREEN DIFFUSED Y.C. YELLOW CLEAR (2) SPECIFICATIONS ARE SUBJECT TO CHANGE WITHOUT NOTICE.
- R.D. RED DIFFUSED O.D. ORANGE DIFFUSED G.C. GREEN CLEAR (3) ALL ABOVE COMPONENTS ARE CONSIDERED. DEVIATIONS FROM STATED SPECIFICATIONS WILL REQUIRE A NEW PART NUMBER BE ASSIGNED.
- Y.D. YELLOW DIFFUSED W.C. WATER CLEAR O.C. ORANGE CLEAR
- W.D. WHITE DIFFUSED R.C. RED CLEAR

Package Dimensions



Radiation Pattern

