



# LT187X-81-UR

## 5.0MM ROUND LAMP

### Features

- \* LOW CURRENT REQUIREMENTS
- \* HIGH LIGHT OUTPUT
- \* RELIABLE AND RUGGED
- \* IC COMPATIBLE

### Absolute Maximum Ratings at $T_A=25^\circ\text{C}$

REVERSE VOLTAGE (<100 $\mu\text{A}$ ).....	4.0V
D.C. FORWARD CURRENT .....	30 mA
PULSE CURRENT (1/10 DUTY CYCLE,0.1 ms PULSE WIDTH).....	100 mA
OPERATING TEMPERATURE RANGE.....	-25 $^\circ\text{C}$ TO +85 $^\circ\text{C}$
STORAGE TEMPERATURE RANGE.....	-25 $^\circ\text{C}$ TO +100 $^\circ\text{C}$
LEAD SOLDERING TEMP. (1.6mm FROM BODY).....	260 $^\circ\text{C}$ FOR 5 SEC.

### Electrical/optical characteristics at $T_A=25^\circ\text{C}$

PART NUMBER	LED CHIP		LEN'S COLOR	PEAK WAVELENGTH @20 mA (nm)	FORWARD VOLTAGE @20mA(V)		LUMINOUS INTENSITY @20mA(mcd)		VIEW ANGLE $2\theta_{1/2}$ (deg)
	MATERIAL	EMITTING COLOR			TYP.	MAX.	MIN.	TYP.	
LT1871-81-UR	GaAlAs ON GaAlAs	RED	R.D.	660	1.9	2.5	360	600	36
LT1872-81-UR	GaAlAs ON GaAlAs	RED	W.D.	660	1.9	2.5	360	600	36
LT1873-81-UR	GaAlAs ON GaAlAs	RED	W.C.	660	1.9	2.5	1200	2000	12
LT1874-81-UR	GaAlAs ON GaAlAs	RED	R.C.	660	1.9	2.5	1200	2000	12

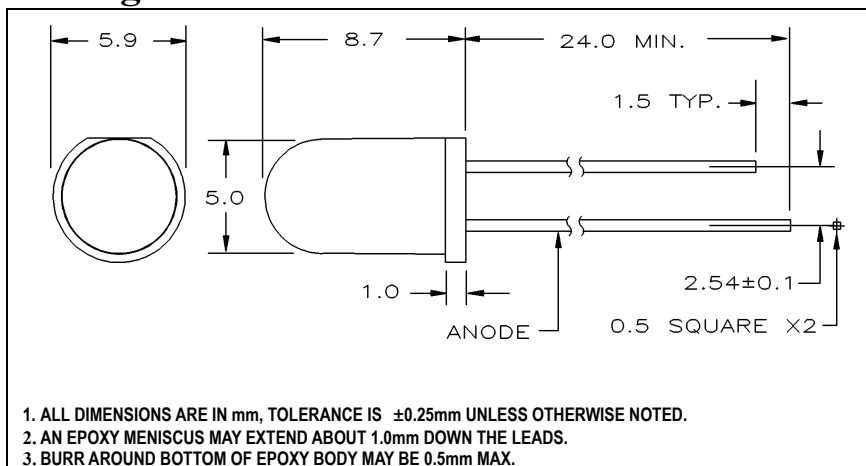
(1) LEN'S COLOR

- R.D.....RED DIFFUSED
- W.D.....WHITE DIFFUSED
- R.C.....RED CLEAR
- W.C.....WHITE CLEAR

(2) SPECIFICATIONS ARE SUBJECT TO CHANGE WITHOUT NOTICE.

(3) ALL ABOVE COMPONENTS ARE CONSIDERED . DEVIATIONS FROM STATED SPECIFICATIONS WILL REQUIRE A NEW PART NUMBER BE ASSIGNED .

### Package Dimensions



### Radiation Pattern

