

Features

- * LOW CURRENT REQUIREMENTS
- * HIGH LIGHT OUTPUT
- * RELIABLE AND RUGGED
- * IC COMPATIBLE

Absolute Maximum Ratings at $T_A=25^\circ\text{C}$

REVERSE VOLTAGE	5.0 V
D.C. FORWARD CURRENT	30 mA
PULSE CURRENT (1/10 DUTY CYCLE, 0.1 ms PULSE WIDTH)	100 mA
OPERATING TEMPERATURE RANGE	-20°C TO +80°C
STORAGE TEMPERATURE RANGE	-25°C TO +100°C
LEAD SOLDERING TEMP. (1.6mm FROM BODY)	260°C FOR 5 SEC

Electrical/Optical Characteristics at $T_A=25^\circ\text{C}$

PART NUMBER	LED CHIP		LEN'S COLOR	PEAK WAVELENGTH @20mA(nm)	FORWARD VOLTAGE @20mA(V)		LUMINOUS INTENSITY @20mA(mcd)		VIEW ANGLE $2\theta_{1/2}$ (deg)
	MATERIAL	EMITTING COLOR			TYP.	MAX.	MIN.	TYP.	
LT18B1-81-SB	GaN ON SiC	BLUE	B.D.	430	3.8	4.5	61	102	44
LT18B2-81-SB	GaN ON SiC	BLUE	W.D.	430	3.8	4.5	61	102	44
LT18B3-81-SB	GaN ON SiC	BLUE	W.C.	430	3.8	4.5	200	340	22
LT18B4-81-SB	GaN ON SiC	BLUE	B.C.	430	3.8	4.5	200	340	22

(1) LENS COLOR

B.D. BLUE DIFFUSED

W.D. WHITE DIFFUSED

B.C. BLUE CLEAR

W.C. WATER CLEAR

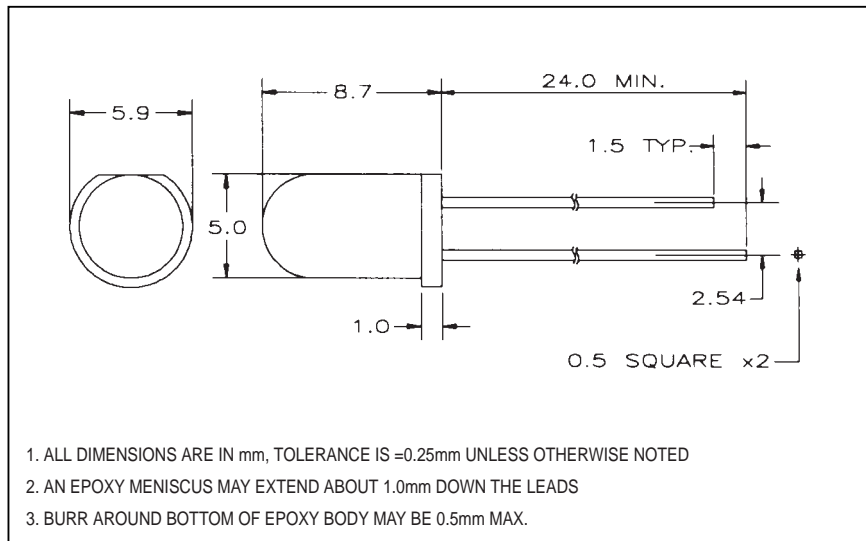
(2) SPECIFICATIONS ARE SUBJECT TO CHANGE

WITHOUT NOTICE.

(3) ALL ABOVE COMPONENTS ARE CONSIDERED.

DEVIATIONS FROM STATED SPECIFICATIONS WILL REQUIRE A NEW PART NUMBER BE ASSIGNED.

Package Dimensions



Radiation Pattern

