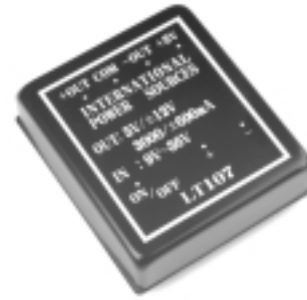


## International Power Sources, Inc.

260 Hopping Brook Road  
 Holliston, Massachusetts 01746  
 Tel. (508) 429-4440 Fax (800) 226-2100  
<http://www.intlpower.com>

## DC/DC Converters



### LT Series: 25/30 WATT Wide Input Range

### FEATURES

- 4:1 Input Range
- Isolated Outputs
- Efficiency to 84%
- 100 kHz Switching Frequency
- External Output Trim
- Remote Disable
- Six-sided Shield
- PCB Mountable

### MODELS CHART

INPUT MODEL NUMBER	VOLTAGE RANGE	OUTPUT VOLTAGE	OUTPUT CURRENT	INPUT CURRENTS		% EFF
				NO LOAD	FULL LOAD	
LT101	9-36VDC	5VDC	5000mA	20mA	2700mA	75
LT102	9-36VDC	12VDC	2500mA	20mA	3100mA	81
LT103	9-36VDC	15VDC	2000mA	20mA	3100mA	81
LT104	9-36VDC	±12VDC	±1250mA	20mA	3100mA	81
LT105	9-36VDC	±15VDC	±1000mA	20mA	3100mA	81
LT106	9-36VDC	+5/+12/-5VDC	3000/+600/1000mA	50mA	3200mA	71
LT107	9-36VDC	5±12VDC	3000/±600mA	50mA	3200mA	77
LT108	9-36VDC	5±15VDC	3000/±500mA	50mA	3200mA	78
LT201	20-72VDC	5VDC	5000mA	20mA	1360mA	77
LT202	20-72VDC	12VDC	2500mA	20mA	1500mA	83
LT203	20-72VDC	15VDC	2000mA	20mA	1500mA	83
LT204	20-72VDC	±12VDC	±1250mA	20mA	1500mA	81
LT205	20-72VDC	±15VDC	±1000mA	20mA	1500mA	83
LT206	20-72VDC	+5/+12/-5VDC	3000/+600/1000mA	40mA	1560mA	73
LT207	20-72VDC	5±12VDC	3000/±600mA	40mA	1500mA	82
LT208	20-72VDC	5±15VDC	3000/±500mA	40mA	1500mA	83

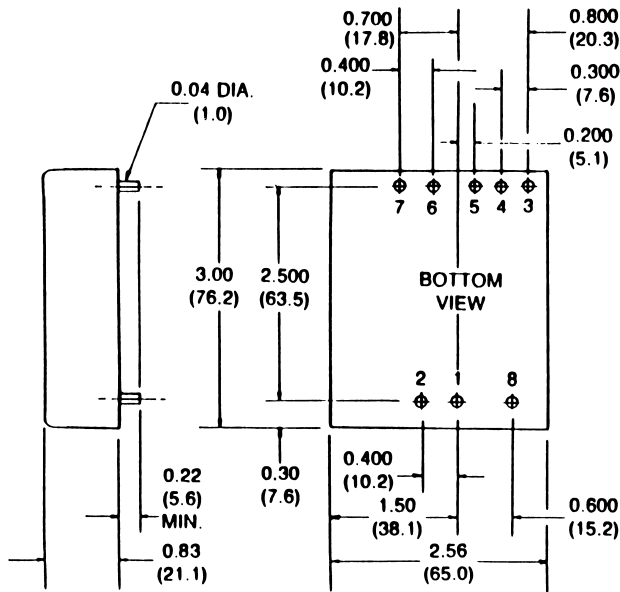
**NOTE:** Nominal Input Voltage 12 or 24 VDC

# ELECTRICAL SPECIFICATIONS

All specifications typical at nominal line, full load and 25°C

OUTPUT SPECIFICATIONS		INPUT SPECIFICATIONS	
Voltage Accuracy	Single Output ..... ±1% max. Dual+Output ..... ±1% max. -Output ..... ±3% max. Triple 5V ..... ±2% max. 12V/15V ..... ±5% max. -5V ..... ±2% max.	Input Voltage Range	..... See Table
Voltage Balance, Dual Output at Full Load	..... ±1% max.	Input Filter	..... π Type
Transient Response:		Reverse Voltage Protection <sup>3</sup>	..... Internal Shunt Diode Use External Fuse
Single, 25% Step Load Change	..... <500μ sec.	<b>GENERAL SPECIFICATIONS</b>	
Dual, FL-1/2L±1% Error Band	..... <500μ sec.	Efficiency	..... See Table
External Trim Adj. Range	..... ±10%	Isolation Voltage	..... 500VDC min.
Ripple & Noise, 20MHz BW	..... 10mV RMS, max. 75mV P-P max.	Isolation Resistance	..... 10 <sup>9</sup> ohms min.
Temperature Coefficient	..... ±0.02%/°C max.	Switching Frequency	..... 100kHz
Short Circuit Protection	..... Indefinite	Case Grounding	..... Capacity Coupled to Input
Overvoltage Protection, 5V	..... 6.8V	Operating Temperature Range	..... -25°C to +71°C
12V	..... 15V	Storage Temperature Range	..... -55°C to +105°C
15V	..... 18V	EM/RFI	..... Six-sided Continuous Shield
Line Regulation <sup>1</sup> :	Single Output ..... ±0.5% max. Triple Output ..... ±1% max.	Dimensions	..... 2.56 x 3.0 x 0.83 inches (65 x 76.2 x 21.1 mm)
Load Regulation <sup>2</sup> :	Single/Dual Output ..... ±1% max. Triple Output ..... ±5% max.	Case Material	..... Black Coated Copper with Non-Conductive Base

## DIMENSIONS AND CONNECTIONS



**NOTE:**

1. Measured from High Line to Low Line.
2. Measured from Full Load to 1/4 Full Load.
3. Determine the correct fuse size by calculating the maximum DC current drain at low line input, maximum load and then adding 20 to 25% to get the desired fuse size.
4. A 10% minimum load is required on dual and triple output models for rated performance.

Dimensions in inches (mm)  
Specifications subject to change.

PIN CONNECTIONS			
PIN	SINGLE	DUAL	TRIPLE
1	+ Input	+ Input	+ Input
2	- Input	- Input	- Input
3	No Pin	+ Output	+ Output
4	Output Trim	Common	Common
5	No Pin	- Output	- Output
6	+ Output	No Pin	+5V Output
7	- Output	No Pin	No Pin
8	Remote On/Off Control		

REMOTE ON/OFF CONTROL	
Logic Compatibility	..... CMOS or Open Collector TTL
E <sub>c</sub> -ON,	..... >+5.5 VDC or Open Circuit
E <sub>c</sub> -OFF,	..... <0.8 VDC
Shutdown Idle Current	..... 10mA
Input Resistance	..... (E <sub>in</sub> 0 VDC to 9 VDC) 100kΩ
Control Common	..... Referenced to input Minus

