

# High Voltage Synchronous Current Mode Step-Down Controller with Adjustable Operating Frequency

## FEATURES

- **High Voltage Operation: Up to 60V**
- **Synchronizable Up to 600kHz**
- **Adjustable Constant Frequency: 100kHz to 500kHz**
- **Output Voltages Up to 36V**
- Adaptive Nonoverlap Circuitry Prevents Switch Shoot-Through
- Reverse Inductor Current Inhibit for Discontinuous Operation Improves Efficiency with Light Loads
- Programmable Soft-Start
- 120 $\mu$ A No Load Quiescent Current
- 10 $\mu$ A Shutdown Supply Current
- 1% Regulation Accuracy
- Standard Gate N-Channel Power MOSFETs
- Current Limit Unaffected by Duty Cycle
- Reverse Overcurrent Protection
- 16-Lead Thermally Enhanced TSSOP Package, 16-Pin PDIP

## APPLICATIONS

- 12V and 42V Automotive and Heavy Equipment
- 48V Telecom Power Supplies
- Avionics and Industrial Control Systems
- Distributed Power Converters

## DESCRIPTION

The LT<sup>®</sup>3845 is a high voltage, synchronous, current mode controller used for medium to high power, high efficiency supplies. It offers a wide 4V to 60V input range (7.5V minimum start-up voltage). An onboard regulator simplifies the biasing requirements by providing IC power directly from  $V_{IN}$ .

Burst Mode<sup>®</sup> operation maintains high efficiency at light loads by reducing IC quiescent current to 120 $\mu$ A. Light load efficiency is also improved with the reverse inductor current inhibit function which supports discontinuous operation.

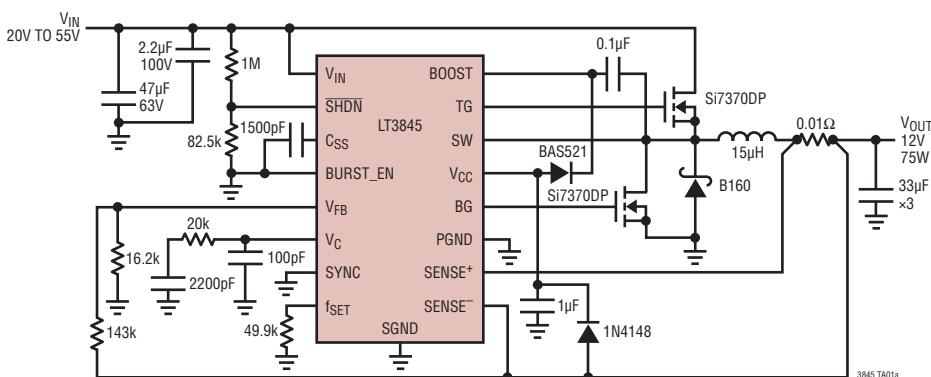
Additional features include adjustable fixed operating frequency that can be synchronized to an external clock for noise sensitive applications, gate drivers capable of driving large N-channel MOSFETs, a precision undervoltage lockout, 10 $\mu$ A shutdown current, short-circuit protection and a programmable soft-start.

The LT3845 is available in a 16-lead thermally enhanced TSSOP package and 16-pin through hole N package.

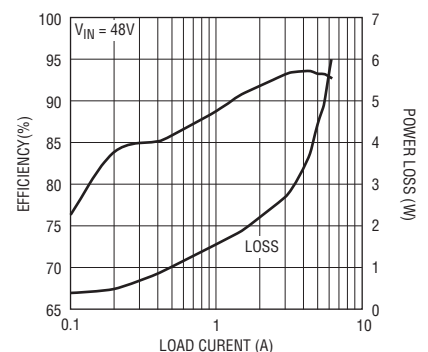
LT, LT, LTC, LTM, Burst Mode, Linear Technology and the Linear logo are registered trademarks of Linear Technology Corporation. All other trademarks are the property of their respective owners.. Protected by U.S. Patents, including 5481178, 6611131, 6304066, 6498466, 6580258.

## TYPICAL APPLICATION

High Voltage Step-Down Regulator 48V to 12V at 75W



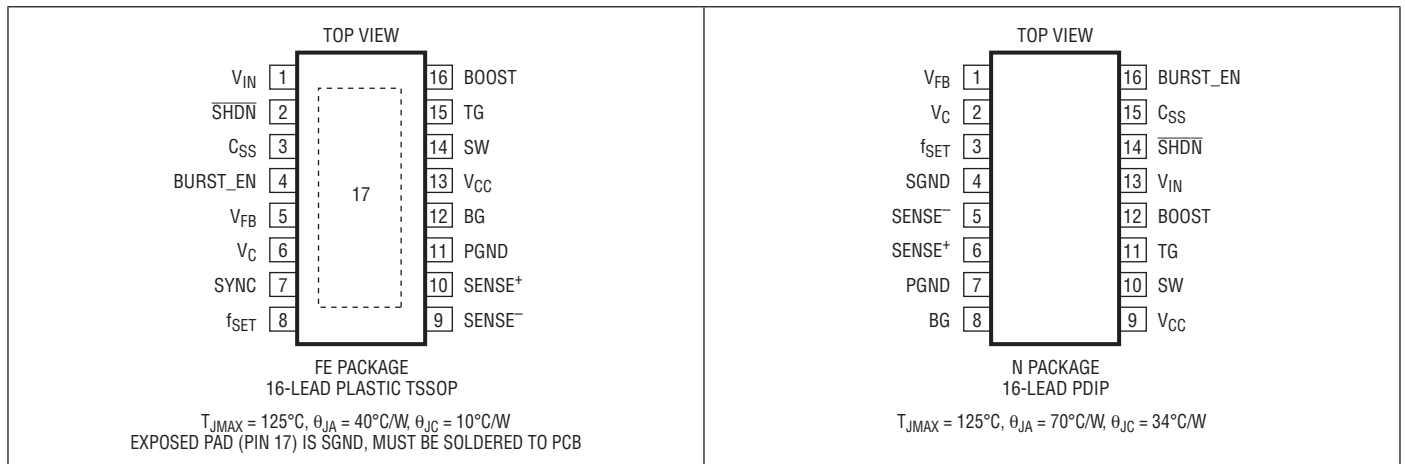
Efficiency and Power Loss vs Load Current



## ABSOLUTE MAXIMUM RATINGS (Note 1)

Input Supply Voltage ( $V_{IN}$ ) .....	65V	BURST_EN Voltage .....	24V
Boosted Supply Voltage (BOOST) .....	80V	SYNC, $V_C$ , $V_{FB}$ , $C_{SS}$ , and $\overline{SHDN}$ Voltages .....	5V
Switch Voltage (SW) (Note 8) .....	65V to -2V	$\overline{SHDN}$ Pin Currents .....	1mA
Differential Boost Voltage (BOOST to SW) .....	24V	Operating Junction Temperature Range (Note 2)	
Bias Supply Voltage ( $V_{CC}$ ) .....	24V	LT3845E (Note 3) .....	-40°C to 125°C
SENSE+ and SENSE- Voltages .....	40V	LT3845I .....	-40°C to 125°C
Differential Sense Voltage (SENSE+ to SENSE-) .....	1V to -1V	LT3845MP .....	-55°C to 125°C
		Storage Temperature .....	-65°C to 150°C
		Lead Temperature (Soldering, 10 sec) .....	300°C

## PIN CONFIGURATION



## ORDER INFORMATION

LEAD FREE FINISH	TAPE AND REEL	PART MARKING*	PACKAGE DESCRIPTION	TEMPERATURE RANGE
LT3845EFE#PBF	LT3845EFE#TRPBF	3845FE	16-Lead Plastic TSSOP	-40°C to 125°C
LT3845IFE#PBF	LT3845IFE#TRPBF	3845FE	16-Lead Plastic TSSOP	-40°C to 125°C
LT3845MPFE#PBF	LT3845MPFE#TRPBF	3845FE	16-Lead Plastic TSSOP	-55°C to 125°C
LT3845EN#PBF	LT3845EN#TRPBF	3845N	16-Lead PDIP	-40°C to 125°C

Consult LTC Marketing for parts specified with wider operating temperature ranges. \*The temperature grade is identified by a label on the shipping container. Consult LTC Marketing for information on non-standard lead based finish parts.

For more information on lead free part marking, go to: <http://www.linear.com/leadfree/>

For more information on tape and reel specifications, go to: <http://www.linear.com/tapeandreeel/>

**ELECTRICAL CHARACTERISTICS** The ● denotes the specifications which apply over the full operating temperature range, otherwise specifications are at  $T_A = 25^\circ\text{C}$ .  $V_{IN} = 20\text{V}$ ,  $V_{CC} = \text{BOOST} = \text{BURST\_EN} = 10\text{V}$ ,  $\text{SHDN} = 2\text{V}$ ,  $R_{SET} = 49.9\text{k}\Omega$ ,  $\text{SENSE}^- = \text{SENSE}^+ = 10\text{V}$ ,  $\text{SGND} = \text{PGND} = \text{SW} = \text{SYNC} = 0\text{V}$ , unless otherwise noted.

PARAMETER	CONDITIONS	MIN	TYP	MAX	UNITS
$V_{IN}$ Operating Voltage Range (Note 4)		●	4	60	V
$V_{IN}$ Minimum Start Voltage		●		7.5	V
$V_{IN}$ UVLO Threshold (Falling)		●	3.6	4	V
$V_{IN}$ UVLO Threshold Hysteresis			670		mV
$V_{IN}$ Supply Current	$V_{CC} > 9\text{V}$		20		$\mu\text{A}$
$V_{IN}$ Burst Mode Current	$V_{BURST\_EN} = 0\text{V}$ , $V_{FB} = 1.35\text{V}$		20		$\mu\text{A}$
$V_{IN}$ Shutdown Current	$V_{SHDN} = 0\text{V}$	●	9	15	$\mu\text{A}$
BOOST Operating Voltage Range		●		75	V
BOOST Operating Voltage Range (Note 5)	$V_{BOOST} - V_{SW}$	●		20	V
BOOST UVLO Threshold (Rising)	$V_{BOOST} - V_{SW}$		5		V
BOOST UVLO Threshold Hysteresis	$V_{BOOST} - V_{SW}$		400		mV
BOOST Supply Current (Note 6)			1.4		mA
BOOST Burst Mode Current	$V_{BURST\_EN} = 0\text{V}$		0.1		$\mu\text{A}$
BOOST Shutdown Current	$V_{SHDN} = 0\text{V}$		0.1		$\mu\text{A}$
$V_{CC}$ Operating Voltage Range (Note 5)		●		20	V
$V_{CC}$ Output Voltage	Over Full Line and Load Range	●	8	8.3	V
$V_{CC}$ UVLO Threshold (Rising)			6.25		V
$V_{CC}$ UVLO Threshold Hysteresis			500		mV
$V_{CC}$ Supply Current (Note 6)		●	3	3.7	mA
$V_{CC}$ Burst Mode Current	$V_{BURST\_EN} = 0\text{V}$		100		$\mu\text{A}$
$V_{CC}$ Shutdown Current	$V_{SHDN} = 0\text{V}$		20		$\mu\text{A}$
$V_{CC}$ Current Limit		●	-40	-150	mA
Error Amp Reference Voltage	Measured at $V_{FB}$ Pin	●	1.224	1.231	V
			1.215	1.245	V
$V_{FB}$ Pin Input Current	$V_{FB} = 1.231\text{V}$		25		nA
$\text{SHDN}$ Enable Threshold (Rising)		●	1.3	1.35	V
$\text{SHDN}$ Threshold Hysteresis			120	1.4	mV
Sense Pins Common Mode Range		●	0	36	V
Current Limit Sense Voltage	$V_{SENSE^+} - V_{SENSE^-}$	●	90	115	mV
Reverse Protect Sense Voltage	$V_{SENSE^+} - V_{SENSE^-}$ , $V_{BURST\_EN} = V_{CC}$		-100		mV
Reverse Current Inhibit Offset	$V_{BURST\_EN} = 0\text{V}$ or $V_{BURST\_EN} = V_{FB}$		10		mV
Input Current ( $I_{SENSE^+} + I_{SENSE^-}$ )	$V_{SENSE(CM)} = 0\text{V}$		800		$\mu\text{A}$
	$V_{SENSE(CM)} = 2\text{V}$		-20		$\mu\text{A}$
	$V_{SENSE(CM)} > 4\text{V}$		-300		$\mu\text{A}$
Operating Frequency		●	270	300	kHz
Minimum Programmable Frequency		●		100	kHz
Maximum Programmable Frequency		●	500		kHz
External Sync Frequency Range		●	100	600	kHz
SYNC Input Resistance			40		$\text{k}\Omega$
SYNC Voltage Threshold		●	1.4	2	V
Soft-Start Capacitor Control Current			2		$\mu\text{A}$
Error Amp Transconductance		●	270	340	$\mu\text{S}$
Error Amp DC Voltage Gain			62		dB
Error Amp Sink/Source Current			$\pm 30$		$\mu\text{A}$

**ELECTRICAL CHARACTERISTICS** The ● denotes the specifications which apply over the full operating temperature range, otherwise specifications are at  $T_A = 25^\circ\text{C}$ .  $V_{IN} = 20\text{V}$ ,  $V_{CC} = \text{BOOST} = \text{BURST\_EN} = 10\text{V}$ ,  $\text{SHDN} = 2\text{V}$ ,  $R_{SET} = 49.9\text{k}\Omega$ ,  $\text{SENSE}^- = \text{SENSE}^+ = 10\text{V}$ ,  $\text{SGND} = \text{PGND} = \text{SW} = \text{SYNC} = 0\text{V}$ , unless otherwise noted.

PARAMETER	CONDITIONS	MIN	TYP	MAX	UNITS
TG, BG Drive On Voltage (Note 7)	$C_{LOAD} = 3300\text{pF}$		9.8		V
TG, BG Drive Off Voltage	$C_{LOAD} = 3300\text{pF}$		0.1		V
TG, BG Drive Rise/Fall Time	10% to 90% or 90% to 10%, $C_{LOAD} = 3300\text{pF}$		50		ns
Minimum TG Off Time		●	350	650	ns
Minimum TG On Time		●	250	400	ns
Gate Drive Nonoverlap Time	TG Fall to BG Rise BG Fall to TG Rise		200 150		ns ns

**Note 1:** Stresses beyond those listed under Absolute Maximum Ratings may cause permanent damage to the device. Exposure to any Absolute Maximum Rating condition for extended periods may affect device reliability and lifetime.

**Note 2:** The LT3845 includes overtemperature protection that is intended to protect the device during momentary overload conditions. Junction temperature will exceed  $125^\circ\text{C}$  when overtemperature protection is active. Continuous operation above the specified maximum operating junction temperature may impair device reliability.

**Note 3:** The LT3845E is guaranteed to meet performance specifications from  $0^\circ\text{C}$  to  $125^\circ\text{C}$  junction temperature. Specifications over the  $-40^\circ\text{C}$  to  $125^\circ\text{C}$  operating junction temperature range are assured by design, characterization and correlation with statistical process controls. The LT3845I is guaranteed over the full  $-40^\circ\text{C}$  to  $125^\circ\text{C}$  operating junction

temperature range. The LT3845MP is 100% tested and guaranteed over the  $-55^\circ\text{C}$  to  $125^\circ\text{C}$  temperature range.

**Note 4:**  $V_{IN}$  voltages below the start-up threshold (7.5V) are only supported when the  $V_{CC}$  is externally driven above 6.5V.

**Note 5:** Operating range is dictated by MOSFET absolute maximum  $V_{GS}$ .

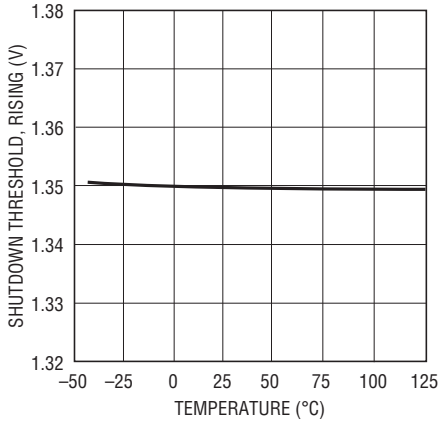
**Note 6:** Supply current specification does not include switch drive currents. Actual supply currents will be higher.

**Note 7:** DC measurement of gate drive output “ON” voltage is typically 8.6V. Internal dynamic bootstrap operation yields typical gate “ON” voltages of 9.8V during standard switching operation. Standard operation gate “ON” voltage is not tested but guaranteed by design.

**Note 8:** The  $-2\text{V}$  absolute maximum on the SW pin is a transient condition. It is guaranteed by design and not subject to test.

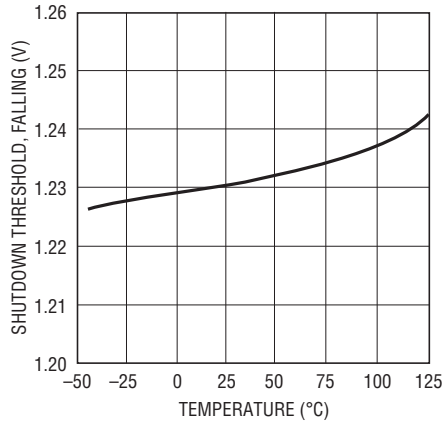
# TYPICAL PERFORMANCE CHARACTERISTICS

**Shutdown Threshold (Rising) vs Temperature**



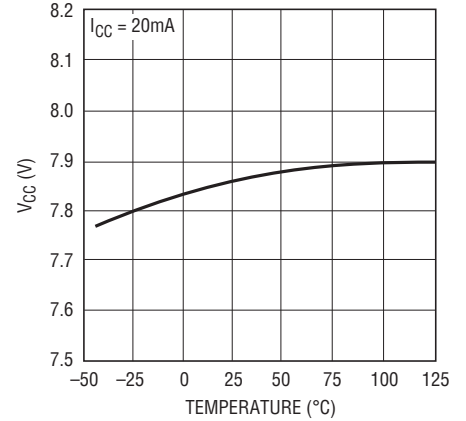
3845 G01

**Shutdown Threshold (Falling) vs Temperature**



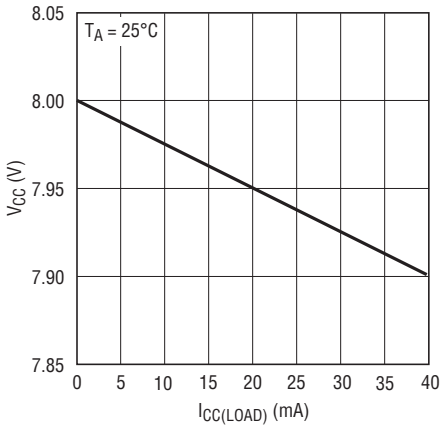
3845 G02

**V<sub>CC</sub> vs Temperature**



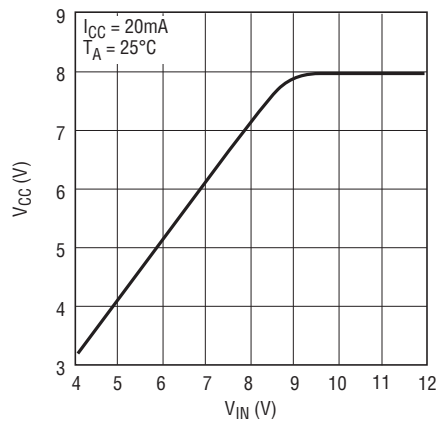
3845 G03

**V<sub>CC</sub> vs I<sub>CC</sub>(LOAD)**



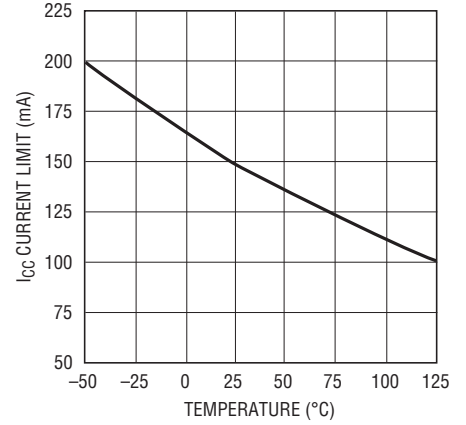
3845 G04

**V<sub>CC</sub> vs V<sub>IN</sub>**



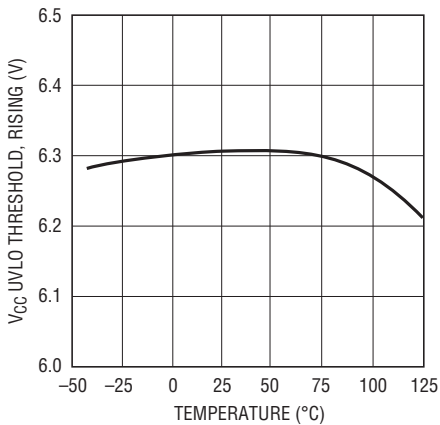
3845 G05

**I<sub>CC</sub> Current Limit vs Temperature**



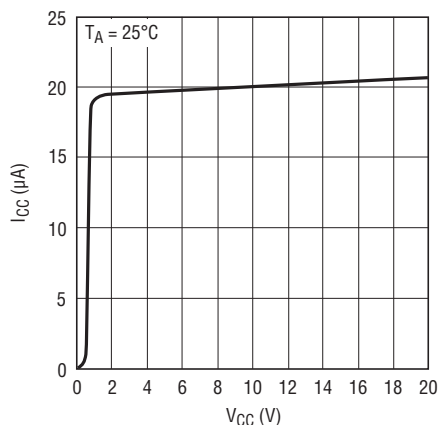
3845 G06

**V<sub>CC</sub> UVLO Threshold (Rising) vs Temperature**



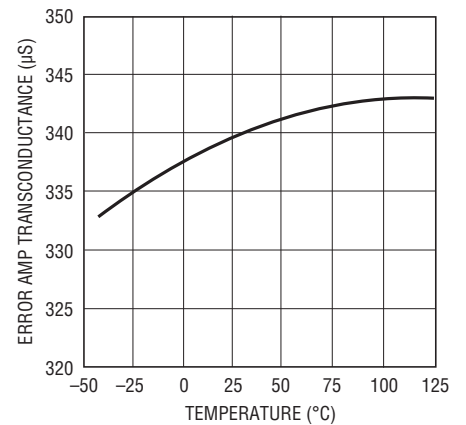
3845 G07

**I<sub>CC</sub> vs V<sub>CC</sub> (SHDN = 0V)**



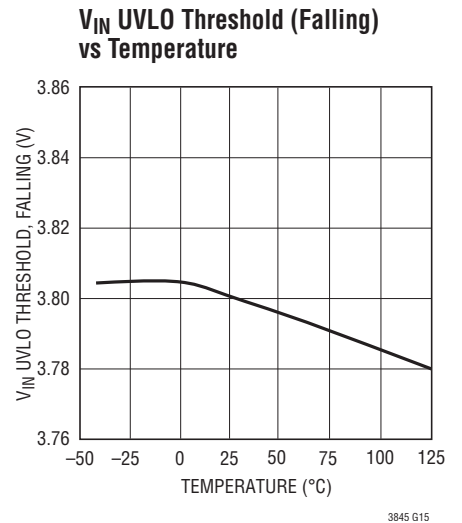
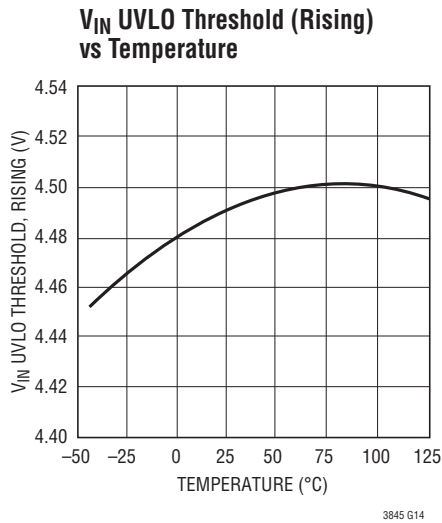
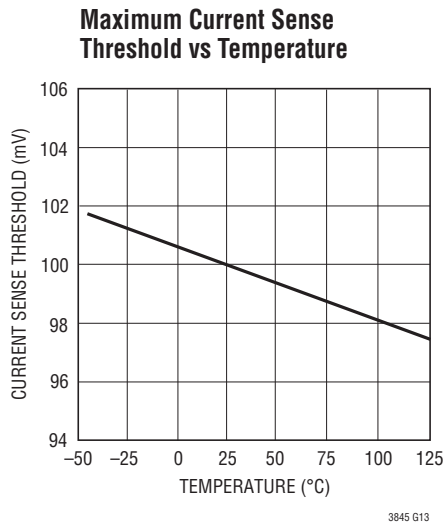
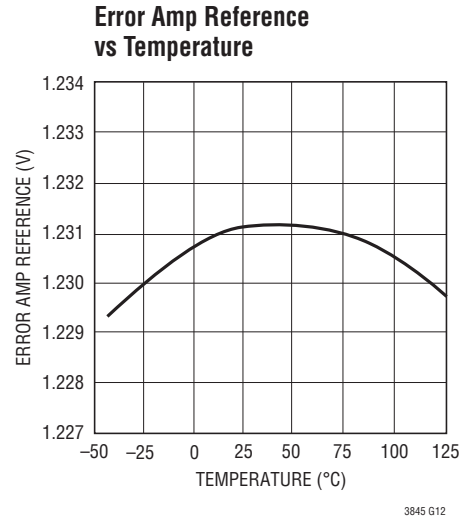
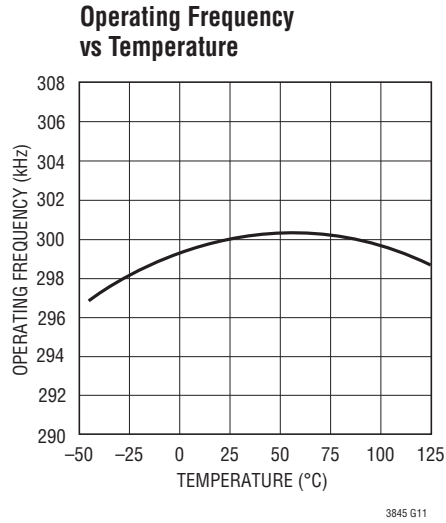
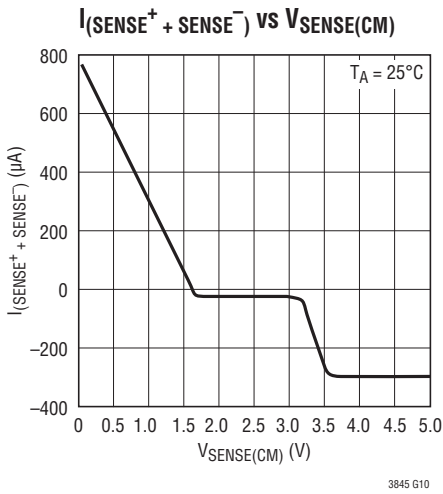
3845 G08

**Error Amp Transconductance vs Temperature**



3845 G09

# TYPICAL PERFORMANCE CHARACTERISTICS



## PIN FUNCTIONS

**BG:** The BG pin is the gate drive for the bottom N-channel MOSFET. Since very fast high currents are driven from this pin, connect it to the gate of the power MOSFET with a short and wide, typically 0.02" width, PCB trace to minimize inductance.

**BOOST:** The BOOST pin is the supply for the bootstrapped gate drive and is externally connected to a low ESR ceramic boost capacitor referenced to SW pin. The recommended value of the BOOST capacitor,  $C_{BOOST}$ , is at least 50 times greater than the total gate capacitance of the topside MOSFET. In most applications 0.1 $\mu$ F is adequate. The maximum voltage that this pin sees is  $V_{IN} + V_{CC}$ , ground referred.

**BURST\_EN:** Burst Mode Operation Enable Pin. This pin also controls reverse-current inhibit mode of operation. When the pin voltage is below 0.5V, Burst Mode operation and reverse-current inhibit functions are enabled. When the pin voltage is above 0.5V, Burst Mode operation is disabled, but reverse-current inhibit operation is maintained. In this mode of operation ( $BURST\_EN = V_{FB}$ ) there is a 1mA minimum load requirement. Reverse-current inhibit is disabled when the pin voltage is above 2.5V. This pin is typically shorted to ground to enable Burst Mode operation and reverse-current inhibit, shorted to  $V_{FB}$  to disable Burst Mode operation while enabling reverse-current inhibit, and connected to  $V_{CC}$  pin to disable both functions. See Applications Information section.

**C<sub>SS</sub>:** The soft-start pin is used to program the supply soft-start function. Use the following formula to calculate  $C_{SS}$  for a given output voltage slew rate:

$$C_{SS} = 2\mu A(t_{SS}/1.231V)$$

The pin should be left unconnected when not using the soft-start function.

**f<sub>SET</sub>:** The  $f_{SET}$  pin programs the oscillator frequency with an external resistor,  $R_{SET}$ . The resistor is required even when supplying external sync clock signal. See the Applications Information section for resistor value selection details.

**PGND:** The PGND pin is the high-current ground reference for internal low side switch driver and the  $V_{CC}$  regulator

circuit. Connect the pin directly to the negative terminal of the  $V_{CC}$  decoupling capacitor. See the Application Information section for helpful hints on PCB layout of grounds.

**SENSE<sup>-</sup>:** The SENSE<sup>-</sup> pin is the negative input for the current sense amplifier and is connected to the  $V_{OUT}$  side of the sense resistor for step-down applications. The sensed inductor current limit is set to  $\pm 100$ mV across the SENSE inputs.

**SENSE<sup>+</sup>:** The SENSE<sup>+</sup> pin is the positive input for the current sense amplifier and is connected to the inductor side of the sense resistor for step-down applications. The sensed inductor current limit is set to  $\pm 100$ mV across the SENSE inputs.

**SGND:** The SGND pin is the low noise ground reference. It should be connected to the  $-V_{OUT}$  side of the output capacitors. Careful layout of the PCB is necessary to keep high currents away from this SGND connection. See the Application Information section for helpful hints on PCB layout of grounds.

**SHDN:** The  $\overline{SHDN}$  pin has a precision IC enable threshold of 1.35V (rising) with 120mV of hysteresis. It is used to implement an undervoltage lockout (UVLO) circuit. See Application Information section for implementing a UVLO function. When the  $\overline{SHDN}$  pin is pulled below a transistor  $V_{BE}$  (0.7V), a low current shutdown mode is entered, all internal circuitry is disabled and the  $V_{IN}$  supply current is reduced to approximately 9 $\mu$ A. Typical pin input bias current is <10nA and the pin is internally clamped to 6V. If the function is not used, this pin may be tied to  $V_{IN}$  through a high value resistor.

**SW:** Reference for  $V_{BOOST}$  Supply and High Current Return for Bootstrapped Switch.

**SYNC:** The Sync pin provides an external clock input for synchronization of the internal oscillator.  $R_{SET}$  is set such that the internal oscillator frequency is 10% to 25% below the external clock frequency. If unused the Sync pin is connected to SGND. For more information see "Oscillator Sync" in the Application Information section of this data sheet. Sync pin not available in PDIP package.



## PIN FUNCTIONS

**TG:** The TG pin is the bootstrapped gate drive for the top N-Channel MOSFET. Since very fast high currents are driven from this pin, connect it to the gate of the power MOSFET with a short and wide, typically 0.02" width, PCB trace to minimize inductance.

**V<sub>C</sub>:** The V<sub>C</sub> pin is the output of the error amplifier whose voltage corresponds to the maximum (peak) switch current per oscillator cycle. The error amplifier is typically configured as an integrator by connecting an RC network from the V<sub>C</sub> pin to SGND. This circuit creates the dominant pole for the converter regulation control loop. Specific integrator characteristics can be configured to optimize transient response. When Burst Mode operation is enabled (see Pin 4 description), an internal low impedance clamp on the V<sub>C</sub> pin is set at 100mV below the burst threshold, which limits the negative excursion of the pin voltage. Therefore, this pin cannot be pulled low with a low impedance source. If the V<sub>C</sub> pin must be externally manipulated, do so through a 1k $\Omega$  series resistance.

**V<sub>CC</sub>:** The V<sub>CC</sub> pin is the internal bias supply decoupling node. Use a low ESR, 1 $\mu$ F or greater ceramic capacitor to decouple this node to PGND. Most internal IC functions

are powered from this bias supply. An external diode connected from V<sub>CC</sub> to the BOOST pin charges the bootstrapped capacitor during the off-time of the main power switch. Back driving the V<sub>CC</sub> pin from an external DC voltage source, such as the V<sub>OUT</sub> output of the regulator supply, increases overall efficiency and reduces power dissipation in the IC. In shutdown mode this pin sinks 20 $\mu$ A until the pin voltage is discharged to 0V.

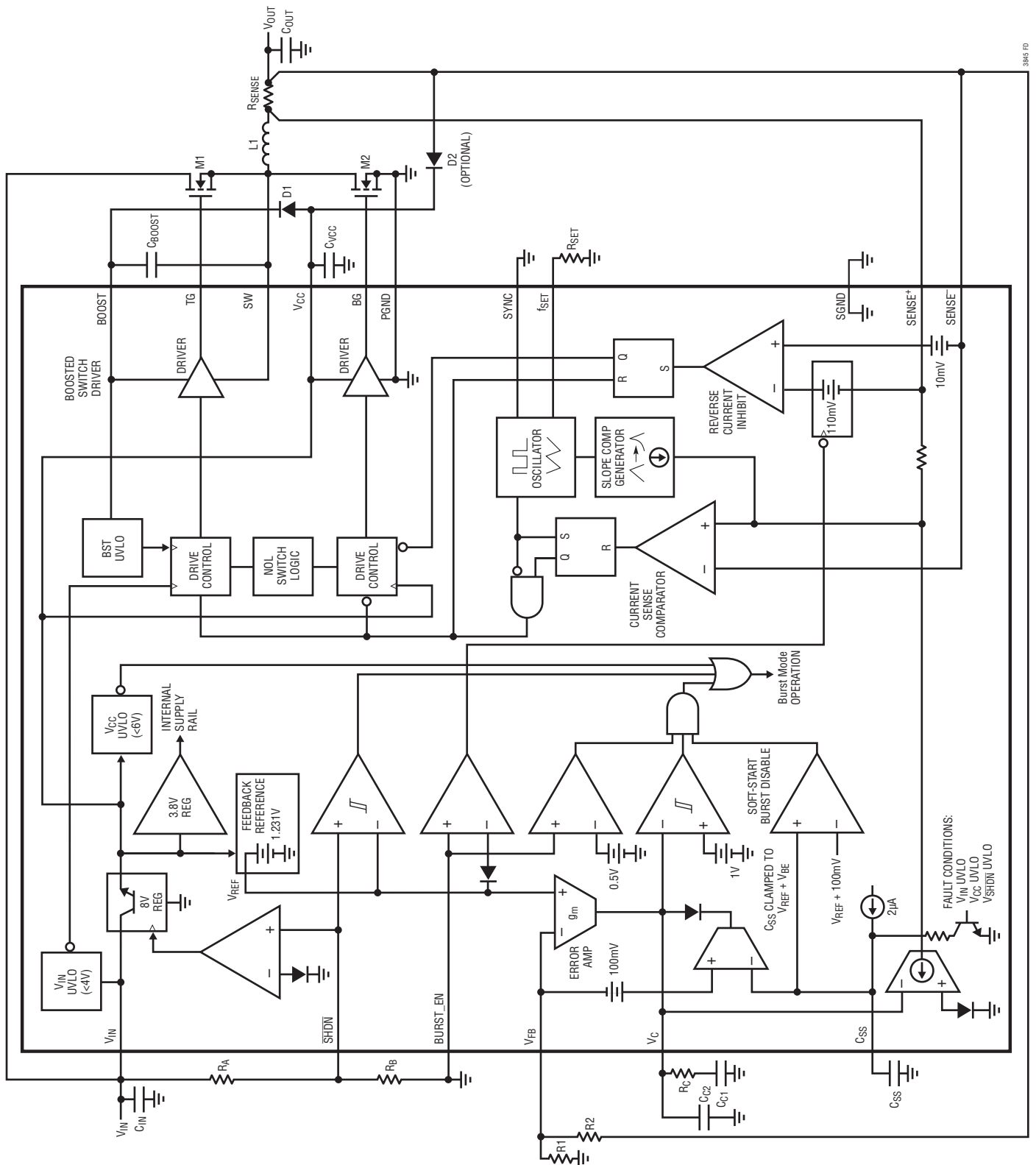
**V<sub>FB</sub>:** The output voltage feedback pin, V<sub>FB</sub>, is externally connected to the supply output voltage via a resistive divider. The V<sub>FB</sub> pin is internally connected to the inverting input of the error amplifier. In regulation, V<sub>FB</sub> is 1.231V.

**V<sub>IN</sub>:** The V<sub>IN</sub> pin is the main supply pin and should be decoupled to SGND with a low ESR capacitor (at least 0.1 $\mu$ F) located close to the pin.

**Exposed Pad (SGND) (TSSOP Only):** The exposed lead-frame is internally connected to the SGND pin. Solder the exposed pad to the PCB ground for electrical contact and optimal thermal performance.



# BLOCK DIAGRAM



3845 FD

## APPLICATIONS INFORMATION

### Overview

The LT3845 is a high input voltage range step-down synchronous DC/DC converter controller IC that uses a programmable constant frequency, current mode architecture with external N-channel MOSFET switches.

The LT3845 has provisions for high efficiency, low load operation for battery-powered applications. Burst Mode operation reduces total average input quiescent currents to 120 $\mu$ A during no load conditions. A low current shutdown mode can also be activated, reducing quiescent current to 10 $\mu$ A. Burst Mode operation can be disabled if desired.

A reverse-current inhibit feature allows increased efficiencies during light loads through nonsynchronous operation. This feature disables the synchronous switch if inductor current approaches zero. If full time synchronous operation is desired, this feature can be disabled.

Much of the IC's internal circuitry is biased from an internal linear regulator. The output of this regulator is the  $V_{CC}$  pin, allowing bypassing of the internal regulator. The associated internal circuitry can be powered from the output of the converter, increasing overall converter efficiency. Using externally derived power also eliminates the IC's power dissipation associated with the internal  $V_{IN}$  to  $V_{CC}$  regulator.

### Theory of Operation (See Block Diagram)

The LT3845 senses converter output voltage via the  $V_{FB}$  pin. The difference between the voltage on this pin and an internal 1.231V reference is amplified to generate an error voltage on the  $V_C$  pin which is used as a threshold for the current sense comparator.

During normal operation, the LT3845 internal oscillator runs at the programmed frequency. At the beginning of each oscillator cycle, the switch drive is enabled. The switch drive stays enabled until the sensed switch current exceeds the  $V_C$  derived threshold for the current sense comparator and, in turn, disables the switch driver. If the current comparator threshold is not obtained for the entire oscillator cycle, the switch driver is disabled at the end of the cycle for 350ns, typical. This minimum off-time mode of operation assures regeneration of the BOOST bootstrapped supply.

### Power Requirements

The LT3845 is biased using an internal linear regulator to generate operational voltages from the  $V_{IN}$  pin. Virtually all of the circuitry in the LT3845 is biased via this internal linear regulator output ( $V_{CC}$ ). This pin is decoupled with a low ESR, 1 $\mu$ F capacitor to PGND.

The  $V_{CC}$  regulator generates an 8V output provided there is ample voltage on the  $V_{IN}$  pin. The  $V_{CC}$  regulator has approximately 1V of dropout, and will follow the  $V_{IN}$  pin with voltages below the dropout threshold.

The LT3845 has a start-up requirement of  $V_{IN} > 7.5V$ . This assures that the onboard regulator has ample headroom to bring the  $V_{CC}$  pin above its UVLO threshold. The  $V_{CC}$  regulator can only source current, so forcing the  $V_{CC}$  pin above its 8V regulated voltage allows use of externally derived power for the IC, minimizing power dissipation in the IC. Using the onboard regulator for start-up, then deriving power for  $V_{CC}$  from the converter output maximizes conversion efficiencies and is common practice. If  $V_{CC}$  is maintained above 6.5V using an external source, the LT3845 can continue to operate with  $V_{IN}$  as low as 4V.

The LT3845 operates with 3mA quiescent current from the  $V_{CC}$  supply. This current is a fraction of the actual  $V_{CC}$  quiescent currents during normal operation. Additional current is produced from the MOSFET switching currents for both the boosted and synchronous switches and are typically derived from the  $V_{CC}$  supply.

Because the LT3845 uses a linear regulator to generate  $V_{CC}$ , power dissipation can become a concern with high  $V_{IN}$  voltages. Gate drive currents are typically in the range of 5mA to 15mA per MOSFET, so gate drive currents can create substantial power dissipation. It is advisable to derive  $V_{CC}$  and  $V_{BOOST}$  power from an external source whenever possible.

The onboard  $V_{CC}$  regulator will provide gate drive power for start-up under all conditions with total MOSFET gate charge loads up to 180nC. The regulator can operate the LT3845 continuously, provided the power dissipation of the regulator does not exceed 250mW. The power dissipation of the regulator is calculated as follows:

$$P_{D(REG)} = (V_{IN} - 8V) \cdot (f_{SW} \cdot Q_{G(TOTAL)} + 3mA)$$

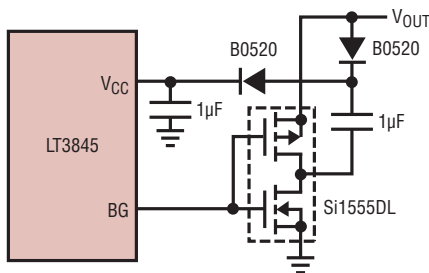
## APPLICATIONS INFORMATION

where  $Q_{G(TOTAL)}$  is the total MOSFET gate charge of the TG and BG.

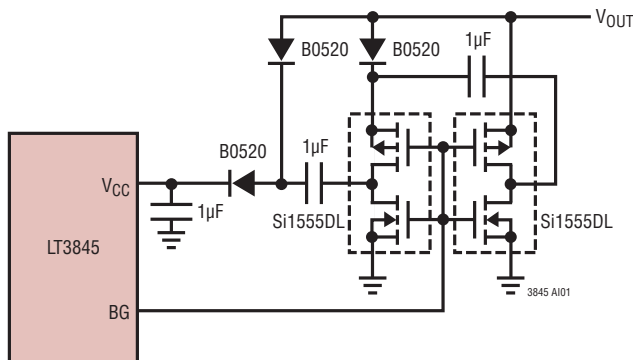
In applications where these conditions are exceeded,  $V_{CC}$  must be derived from an external source after start-up. Maximum continuous regulator power dissipation may be exceeded for short duration  $V_{IN}$  transients.

In LT3845 converter applications with output voltages in the 9V to 20V range, back-feeding  $V_{CC}$  and  $V_{BOOST}$  from the converter output is trivial, accomplished by connecting diodes from the output to these supply pins. Deriving these supplies from output voltages greater than 20V will require additional regulation to reduce the feedback voltage. Outputs lower than 9V will require step-up techniques to increase the feedback voltage to something greater than the 8V  $V_{CC}$  regulated output. Low power boost switchers are sometimes used to provide the step-up function, but a simple charge-pump can perform this function in many instances.

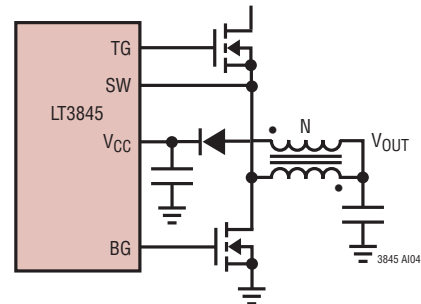
Charge Pump Doubler



Charge Pump Tripler



Inductor Auxiliary Winding



### Burst Mode

The LT3845 employs low current Burst Mode functionality to maximize efficiency during no load and low load conditions. Burst Mode operation is enabled by shorting the BURST\_EN pin to SGND. Burst Mode operation can be disabled by shorting BURST\_EN to either  $V_{FB}$  or  $V_{CC}$ .

When the required switch current, sensed via the  $V_C$  pin voltage, is below 15% of maximum, the Burst Mode operation is employed and that level of sense current is latched onto the IC control path. If the output load requires less than this latched current level, the converter will overdrive the output slightly during each switch cycle. This overdrive condition is sensed internally and forces the voltage on the  $V_C$  pin to continue to drop. When the voltage on  $V_C$  drops 150mV below the 15% load level, switching is disabled and the LT3845 shuts down most of its internal circuitry, reducing total quiescent current to 120µA. When the converter output begins to fall, the  $V_C$  pin voltage begins to climb. When the voltage on the  $V_C$  pin climbs back to the 15% load level, the IC returns to normal operation and switching resumes. An internal clamp on the  $V_C$  pin is set at 100mV below the switch disable threshold, which limits the negative excursion of the pin voltage, minimizing the converter output ripple during Burst Mode operation.

During Burst Mode operation,  $V_{IN}$  pin current is 20µA and  $V_{CC}$  current is reduced to 100µA. If no external drive is provided for  $V_{CC}$ , all  $V_{CC}$  bias currents originate from the

## APPLICATIONS INFORMATION

$V_{IN}$  pin, giving a total  $V_{IN}$  current of  $120\mu A$ . Burst current can be reduced further when  $V_{CC}$  is driven using an output derived source, as the  $V_{CC}$  component of  $V_{IN}$  current is then reduced by the converter buck ratio.

### Reverse-Current Inhibit

The LT3845 contains a reverse-current inhibit feature to maximize efficiency during light load conditions. This mode of operation allows discontinuous operation and pulse-skipping mode at light loads. Refer to Figure 1.

This feature is enabled with Burst Mode operation, and can also be enabled while Burst Mode operation is disabled by shorting the BURST\_EN pin to  $V_{FB}$ .

When reverse-current inhibit is enabled, the LT3845 sense amplifier detects inductor currents approaching zero and disables the synchronous switch for the remainder of the switch cycle. If the inductor current is allowed to go negative before the synchronous switch is disabled, the switch node could inductively kick positive with a high  $dv/dt$ . The LT3845 prevents this by incorporating a 10mV positive offset at the sense inputs.

With the reverse-current inhibit feature enabled, an LT3845 converter will operate much like a nonsynchronous converter during light loads. Reverse-current inhibit reduces resistive losses associated with inductor ripple currents, which improves operating efficiencies during light-load conditions.

An LT3845 DC/DC converter that is operating in reverse-current inhibit mode has a minimum load requirement of 1mA ( $BURST\_EN = V_{FB}$ ). Since most applications use output-generated power for the LT3845, this requirement is met by the bias currents of the IC, however, for applications that do not derive power from the output, this requirement is easily accomplished by using a 1.2k resistor connected from  $V_{FB}$  to ground as one of the converter output voltage programming resistors (R1). There are no minimum load restrictions when in Burst Mode operation ( $BURST\_EN < 0.5V$ ) or continuous conduction mode ( $BURST\_EN > 2.5V$ ).

### Soft-Start

The soft-start function controls the slew rate of the power supply output voltage during start-up. A controlled output voltage ramp minimizes output voltage overshoot, reduces inrush current from the  $V_{IN}$  supply, and facilitates supply sequencing. A capacitor,  $C_{SS}$ , connected from the  $C_{SS}$  pin to SGND, programs the slew rate. The capacitor is charged from an internal  $2\mu A$  current source producing a ramped voltage. The capacitor voltage overrides the internal reference to the error amplifier. If the  $V_{FB}$  pin voltage exceeds the  $C_{SS}$  pin voltage then the current threshold set by the DC control voltage,  $V_C$ , is decreased and the inductor current is lowered. This in turn decreases the output voltage slew rate allowing the  $C_{SS}$  pin voltage ramp to catch up to the  $V_{FB}$  pin voltage. An internal 100mV offset is added to the  $V_{FB}$  pin voltage relative to the  $C_{SS}$  pin voltage so that

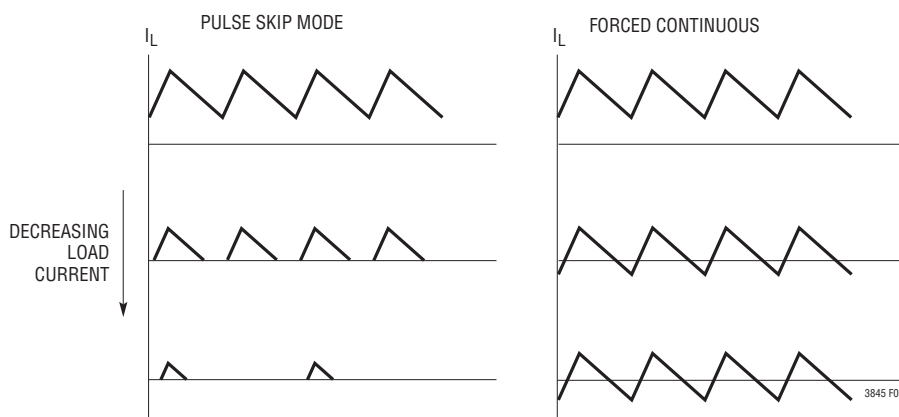


Figure 1. Inductor Current vs Mode

## APPLICATIONS INFORMATION

at start-up the soft-start circuit will discharge the  $V_C$  pin voltage below the DC control voltage equivalent to zero inductor current. This will reduce the input supply inrush current. The soft-start circuit is disabled once the  $C_{SS}$  pin voltage has been charged to 200mV above the internal reference of 1.231V.

During a  $V_{IN}$  UVLO,  $V_{CC}$  UVLO or  $\overline{SHDN}$  UVLO event, the  $C_{SS}$  pin voltage is discharged with a 50 $\mu$ A current source. In normal operation the  $C_{SS}$  pin voltage is clamped to a diode above the  $V_{FB}$  pin voltage. Therefore, the value of the  $C_{SS}$  capacitor is relevant to how long of a fault event will retrigger a soft-start. If any of the above UVLO conditions occur, the  $C_{SS}$  pin voltage will be discharged with a 50 $\mu$ A current source. There is a diode worth of voltage headroom to ride through the fault before the  $C_{SS}$  pin voltage enters its active region and the soft-start function is enabled.

Also, since the  $C_{SS}$  pin voltage is clamped to a diode above the  $V_{FB}$  pin voltage, during a short circuit the  $C_{SS}$  pin voltage is pulled low because the  $V_{FB}$  pin voltage is low. Once the short has been removed the  $V_{FB}$  pin voltage starts to recover. The soft-start circuit takes control of the output voltage slew rate once the  $V_{FB}$  pin voltage has exceeded the slowly ramping  $C_{SS}$  pin voltage, reducing the output voltage overshoot during a short circuit recovery.

### Adaptive Nonoverlap (NOL) Output Stage

The FET driver output stages implement adaptive nonoverlap control. This feature maintains a constant dead time, preventing shoot-through switch currents, independent of the type, size or operating conditions of the external switch elements.

Each of the two switch drivers contains a NOL control circuit, which monitors the output gate drive signal of the other switch driver. The NOL control circuits interrupt the “turn on” command to their associated switch driver until the other switch gate is fully discharged.

### Antislope Compensation

Most current mode switching controllers use slope compensation to prevent current mode instability. The LT3845 is no exception. A slope-compensation circuit imposes an artificial ramp on the sensed current to increase the rising slope as duty cycle increases. Unfortunately, this additional

ramp corrupts the sensed current value, reducing the achievable current limit value by the same amount as the added ramp represents. As such, current limit is typically reduced as duty cycles increase. The LT3845 contains circuitry to eliminate the current limit reduction typically associated with slope compensation. As the slope-compensation ramp is added to the sensed current, a similar ramp is added to the current limit threshold reference. The end result is that current limit is not compromised, so an LT3845 converter can provide full power regardless of required duty cycle.

### Shutdown

The LT3845  $\overline{SHDN}$  pin uses a bandgap generated reference threshold of 1.35V. This precision threshold allows use of the  $\overline{SHDN}$  pin for both logic-level controlled applications and analog monitoring applications such as power supply sequencing.

The LT3845 operational status is primarily controlled by a UVLO circuit on the  $V_{CC}$  regulator pin. When the IC is enabled via the  $\overline{SHDN}$  pin, only the  $V_{CC}$  regulator is enabled. Switching remains disabled until the UVLO threshold is achieved at the  $V_{CC}$  pin, when the remainder of the IC is enabled and switching commences.

Because an LT3845 controlled converter is a power transfer device, a voltage that is lower than expected on the input supply could require currents that exceed the sourcing capabilities of that supply, causing the system to lock up in an undervoltage state. Input supply start-up protection can be achieved by enabling the  $\overline{SHDN}$  pin using a resistive divider from the  $V_{IN}$  supply to ground. Setting the divider output to 1.35V when that supply is at an adequate voltage prevents an LT3845 converter from drawing large currents until the input supply is able to provide the required power. 120mV of input hysteresis on the  $\overline{SHDN}$  pin allows for almost 10% of input supply droop before disabling the converter.

### $R_{SENSE}$ Selection

The current sense resistor,  $R_{SENSE}$ , monitors the inductor current of the supply (See Typical Application on front page). Its value is chosen based on the maximum required output load current. The LT3845 current sense amplifier



## APPLICATIONS INFORMATION

has a maximum voltage threshold of, typically, 100mV. Therefore, the peak inductor current is  $100\text{mV}/R_{\text{SENSE}}$ . The maximum output load current,  $I_{\text{OUT(MAX)}}$ , is the peak inductor current minus half the peak-to-peak ripple current,  $\Delta I_L$ .

Allowing adequate margin for ripple current and external component tolerances,  $R_{\text{SENSE}}$  can be calculated as follows:

$$R_{\text{SENSE}} = \frac{70\text{mV}}{I_{\text{OUT(MAX)}}}$$

Typical values for  $R_{\text{SENSE}}$  are in the range of  $0.005\Omega$  to  $0.05\Omega$ .

### Operating Frequency

The choice of operating frequency is a trade off between efficiency and component size. Low frequency operation improves efficiency by reducing MOSFET switching losses and gate charge losses. However, lower frequency operation requires more inductance for a given amount of ripple current, resulting in a larger inductor size and higher cost. If the ripple current is allowed to increase, larger output capacitors may be required to maintain the same output ripple. For converters with high step-down  $V_{\text{IN}}$  to  $V_{\text{OUT}}$  ratios, another consideration is the minimum on-time of the LT3845 (see the Minimum On-time Considerations section). A final consideration for operating frequency is that in noise-sensitive communications systems, it is often desirable to keep the switching noise out of a sensitive frequency band. The LT3845 uses a constant frequency

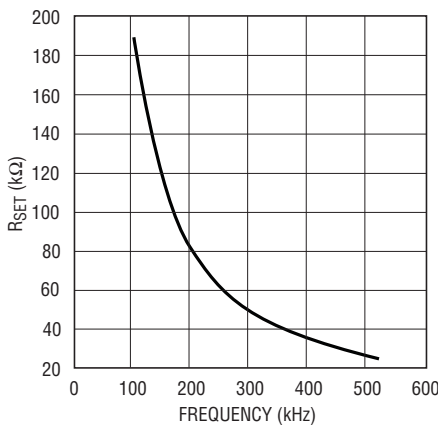


Figure 2. Timing Resistor ( $R_{\text{SET}}$ ) Value

architecture that can be programmed over a 100kHz to 500kHz range with a single resistor from the  $f_{\text{SET}}$  pin to ground, as shown in Figure 2. The nominal voltage on the  $f_{\text{SET}}$  pin is 1V and the current that flows from this pin is used to charge an internal oscillator capacitor. The value of  $R_{\text{SET}}$  for a given operating frequency can be chosen from Figure 2 or from the following equation:

$$R_{\text{SET(k}\Omega)} = 8.4 \cdot 10^4 \cdot f_{\text{SW}}^{(-1.31)}$$

Table 1 lists typical resistor values for common operating frequencies.

Table 1. Recommended 1% Standard Values

$R_{\text{SET}}$ (kΩ)	$f_{\text{SW}}$ (kHz)
191	100
118	150
80.6	200
63.4	250
49.9	300
40.2	350
33.2	400
27.4	450
23.2	500

### Inductor Selection

The critical parameters for selection of an inductor are minimum inductance value, volt-second product, saturation current and/or RMS current.

For a given  $\Delta I_L$ , The minimum inductance value is calculated as follows:

$$L \geq V_{\text{OUT}} \cdot \frac{V_{\text{IN(MAX)}} - V_{\text{OUT}}}{f_{\text{SW}} \cdot V_{\text{IN(MAX)}} \cdot \Delta I_L}$$

$f_{\text{SW}}$  is the switch frequency.

The typical range of values for  $\Delta I_L$  is  $(0.2 \cdot I_{\text{OUT(MAX)}})$  to  $(0.5 \cdot I_{\text{OUT(MAX)}})$ , where  $I_{\text{OUT(MAX)}}$  is the maximum load current of the supply. Using  $\Delta I_L = 0.3 \cdot I_{\text{OUT(MAX)}}$  yields a good design compromise between inductor performance versus inductor size and cost. A value of  $\Delta I_L = 0.3 \cdot I_{\text{OUT(MAX)}}$  produces a  $\pm 15\%$  of  $I_{\text{OUT(MAX)}}$  ripple current around the DC output current of the supply. Lower values of  $\Delta I_L$  require larger and more costly magnetics. Higher values of  $\Delta I_L$

## APPLICATIONS INFORMATION

will increase the peak currents, requiring more filtering on the input and output of the supply. If  $\Delta I_L$  is too high, the slope compensation circuit is ineffective and current mode instability may occur at duty cycles greater than 50%. To satisfy slope compensation requirements the minimum inductance is calculated as follows:

$$L_{\text{MIN}} > V_{\text{OUT}} \cdot \frac{2DC_{\text{MAX}} - 1}{DC_{\text{MAX}}} \cdot \frac{R_{\text{SENSE}} \cdot 8.33}{f_{\text{SW}}}$$

The magnetics vendors specify either the saturation current, the RMS current or both. When selecting an inductor based on inductor saturation current, use the peak current through the inductor,  $I_{\text{OUT(MAX)}} + \Delta I_L/2$ . The inductor saturation current specification is the current at which the inductance, measured at zero current, decreases by a specified amount, typically 30%.

When selecting an inductor based on RMS current rating, use the average current through the inductor,  $I_{\text{OUT(MAX)}}$ . The RMS current specification is the RMS current at which the part has a specific temperature rise, typically 40°C, above 25°C ambient.

After calculating the minimum inductance value, the volt-second product, the saturation current and the RMS current for your design, select an off-the-shelf inductor. Contact the Application group at Linear Technology for further support.

For more detailed information on selecting an inductor, please see the “Inductor Selection” section of Linear Technology Application Note 44.

### MOSFET Selection

The selection criteria of the external N-channel standard level power MOSFETs include on resistance ( $R_{\text{DS(ON)}}$ ), reverse transfer capacitance ( $C_{\text{RSS}}$ ), maximum drain source voltage ( $V_{\text{DSS}}$ ), total gate charge ( $Q_{\text{G}}$ ) and maximum continuous drain current.

For maximum efficiency, minimize  $R_{\text{DS(ON)}}$  and  $C_{\text{RSS}}$ . Low  $R_{\text{DS(ON)}}$  minimizes conduction losses while low  $C_{\text{RSS}}$  minimizes transition losses. The problem is that  $R_{\text{DS(ON)}}$  is inversely related to  $C_{\text{RSS}}$ . In selecting the top MOSFET

balancing the transition losses with the conduction losses is a good idea while the bottom MOSFET is dominated by the conduction loss, which is worse during a short-circuit condition or at a very low duty cycle.

Calculate the maximum conduction losses of the MOSFETs:

$$P_{\text{COND(TOP)}} = I_{\text{OUT(MAX)}}^2 \cdot \frac{V_{\text{OUT}}}{V_{\text{IN}}} \cdot R_{\text{DS(ON)}}$$

$$P_{\text{COND(BOT)}} = I_{\text{OUT(MAX)}}^2 \cdot \frac{V_{\text{IN}} - V_{\text{OUT}}}{V_{\text{IN}}} \cdot R_{\text{DS(ON)}}$$

Note that  $R_{\text{DS(ON)}}$  has a large positive temperature dependence. The MOSFET manufacturer's data sheet contains a curve,  $R_{\text{DS(ON)}}$  vs Temperature.

In the main MOSFET, transition losses are proportional to  $V_{\text{IN}}^2$  and can be considerably large in high voltage applications ( $V_{\text{IN}} > 20\text{V}$ ). Calculate the maximum transition losses:

$$P_{\text{TRAN(TOP)}} = k \cdot V_{\text{IN}}^2 \cdot I_{\text{OUT(MAX)}} \cdot C_{\text{RSS}} \cdot f_{\text{SW}}$$

where  $k$  is a constant inversely related to the gate driver current, approximated by  $k = 2$  for LT3845 applications.

The total maximum power dissipations of the MOSFET are:

$$P_{\text{TOP(TOTAL)}} = P_{\text{COND(MAIN)}} + P_{\text{TRAN(MAIN)}}$$

$$P_{\text{BOT(TOTAL)}} = P_{\text{COND(SYNG)}}$$

To achieve high supply efficiency, keep the total power dissipation in each switch to less than 3% of the total output power. Also, complete a thermal analysis to ensure that the MOSFET junction temperature is not exceeded.

$$T_{\text{J}} = T_{\text{A}} + P_{\text{(TOTAL)}} \cdot \theta_{\text{JA}}$$

where  $\theta_{\text{JA}}$  is the package thermal resistance and  $T_{\text{A}}$  is the ambient temperature. Keep the calculated  $T_{\text{J}}$  below the maximum specified junction temperature, typically 150°C.

Note that when  $V_{\text{IN}}$  is high and  $f_{\text{SW}}$  is high, the transition losses may dominate. A MOSFET with higher  $R_{\text{DS(ON)}}$  and lower  $C_{\text{RSS}}$  may provide higher efficiency. MOSFETs with higher voltage  $V_{\text{DSS}}$  specification usually have higher  $R_{\text{DS(ON)}}$  and lower  $C_{\text{RSS}}$ .



## APPLICATIONS INFORMATION

Choose the MOSFET  $V_{DSS}$  specification to exceed the maximum voltage across the drain to the source of the MOSFET, which is  $V_{IN(MAX)}$  plus any additional ringing on the switch node. Ringing on the switch node can be greatly reduced with good PCB layout and, if necessary, an RC snubber.

In some applications, parasitic FET capacitances couple the negative going switch node transient onto the bottom gate drive pin of the LT3845, causing a negative voltage in excess of the Absolute Maximum Rating to be imposed on that pin. Connection of a catch Schottky diode from this pin to ground will eliminate this effect. A 1A current rating is typically sufficient of the diode.

The internal  $V_{CC}$  regulator is capable of sourcing up to 40mA limiting the maximum total MOSFET gate charge,  $Q_G$ , to  $35mA/f_{SW}$ . The  $Q_G$  vs  $V_{GS}$  specification is typically provided in the MOSFET data sheet. Use  $Q_G$  at  $V_{GS}$  of 8V. If  $V_{CC}$  is back driven from an external supply, the MOSFET drive current is not sourced from the internal regulator of the LT3845 and the  $Q_G$  of the MOSFET is not limited by the IC. However, note that the MOSFET drive current is supplied by the internal regulator when the external supply back driving  $V_{CC}$  is not available such as during start-up or short circuit.

The manufacturer's maximum continuous drain current specification should exceed the peak switch current,  $I_{OUT(MAX)} + \Delta I_L/2$ .

During the supply start-up, the gate drive levels are set by the  $V_{CC}$  voltage regulator, which is approximately 8V. Once the supply is up and running, the  $V_{CC}$  can be back driven by an auxiliary supply such as  $V_{OUT}$ . It is important not to exceed the manufacturer's maximum  $V_{GS}$  specification. A standard level threshold MOSFET typically has a  $V_{GS}$  maximum of 20V.

### Input Capacitor Selection

A local input bypass capacitor is required for buck converters because the input current is pulsed with fast rise and fall times. The input capacitor selection criteria are based on the bulk capacitance and RMS current capability. The bulk capacitance will determine the supply input ripple voltage. The RMS current capability is used to prevent overheating the capacitor.

The bulk capacitance is calculated based on maximum input ripple,  $\Delta V_{IN}$ :

$$C_{IN(BULK)} = \frac{I_{OUT(MAX)} \cdot V_{OUT}}{\Delta V_{IN} \cdot f_{SW} \cdot V_{IN(MIN)}}$$

$\Delta V_{IN}$  is typically chosen at a level acceptable to the user. 100mV to 200mV is a good starting point. Aluminum electrolytic capacitors are a good choice for high voltage, bulk capacitance due to their high capacitance per unit area.

The capacitor's RMS current is:

$$I_{CIN(RMS)} = I_{OUT} \sqrt{\frac{V_{OUT}(V_{IN} - V_{OUT})}{(V_{IN})^2}}$$

If applicable, calculate it at the worst case condition,  $V_{IN} = 2V_{OUT}$ . The RMS current rating of the capacitor is specified by the manufacturer and should exceed the calculated  $I_{CIN(RMS)}$ . Due to their low ESR (Equivalent Series Resistance), ceramic capacitors are a good choice for high voltage, high RMS current handling. Note that the ripple current ratings from aluminum electrolytic capacitor manufacturers are based on 2000 hours of life. This makes it advisable to further derate the capacitor or to choose a capacitor rated at a higher temperature than required.

The combination of aluminum electrolytic capacitors and ceramic capacitors is an economical approach to meeting the input capacitor requirements. The capacitor voltage rating must be rated greater than  $V_{IN(MAX)}$ . Multiple capacitors may also be paralleled to meet size or height requirements in the design. Locate the capacitor very close to the MOSFET switch and use short, wide PCB traces to minimize parasitic inductance.

### Output Capacitor Selection

The output capacitance,  $C_{OUT}$ , selection is based on the design's output voltage ripple,  $\Delta V_{OUT}$  and transient load requirements.  $\Delta V_{OUT}$  is a function of  $\Delta I_L$  and the  $C_{OUT}$  ESR. It is calculated by:

$$\Delta V_{OUT} = \Delta I_L \cdot \left( ESR + \frac{1}{(8 \cdot f_{SW} \cdot C_{OUT})} \right)$$

## APPLICATIONS INFORMATION

The maximum ESR required to meet a  $\Delta V_{OUT}$  design requirement can be calculated by:

$$ESR(MAX) = \frac{(\Delta V_{OUT})(L)(f_{SW})}{V_{OUT} \cdot \left(1 - \frac{V_{OUT}}{V_{IN(MAX)}}\right)}$$

Worst-case  $\Delta V_{OUT}$  occurs at highest input voltage. Use paralleled multiple capacitors to meet the ESR requirements. Increasing the inductance is an option to lower the ESR requirements. For extremely low  $\Delta V_{OUT}$ , an additional LC filter stage can be added to the output of the supply. Application Note 44 has some good tips on sizing an additional output filter.

### Output Voltage Programming

A resistive divider sets the DC output voltage according to the following formula:

$$R2 = R1 \left( \frac{V_{OUT}}{1.231V} - 1 \right)$$

The external resistor divider is connected to the output of the converter as shown in Figure 3. Tolerance of the feedback resistors will add additional error to the output voltage.

Example:  $V_{OUT} = 12V$ ;  $R1 = 10k\Omega$

$$R2 = 10k\Omega \left( \frac{12V}{1.231V} - 1 \right) = 87.48k\Omega - \text{use } 86.6k\Omega \text{ } 1\%$$

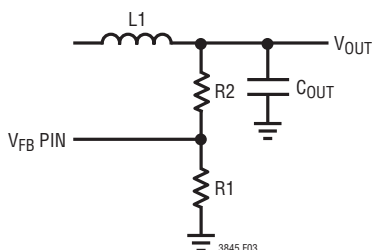


Figure 3. Output Voltage Feedback Divider

The  $V_{FB}$  pin input bias current is typically 25nA, so use of extremely high value feedback resistors could cause a converter output that is slightly higher than expected. Bias current error at the output can be estimated as:

$$\Delta V_{OUT(BIAS)} = 25nA \cdot R2$$

### Supply UVLO and Shutdown

The SHDN pin has a precision voltage threshold with hysteresis which can be used as an undervoltage lockout (UVLO) for the power supply. Undervoltage lockout keeps the LT3845 in shutdown until the supply input voltage is above a certain voltage programmed by the user. The hysteresis voltage prevents noise from falsely tripping UVLO.

Resistors are chosen by first selecting  $R_B$ . Then

$$R_A = R_B \cdot \left( \frac{V_{SUPPLY(ON)}}{1.35V} - 1 \right)$$

$V_{SUPPLY(ON)}$  is the input voltage at which the undervoltage lockout is disabled and the supply turns on.

Example: Select  $R_B = 49.9k\Omega$ ,  $V_{SUPPLY(ON)} = 14.5V$  (based on a 15V minimum input voltage)

$$\begin{aligned} R_A &= 49.9k\Omega \cdot \left( \frac{14.5V}{1.35V} - 1 \right) \\ &= 486.1k\Omega \text{ (499k}\Omega \text{ resistor is selected)} \end{aligned}$$

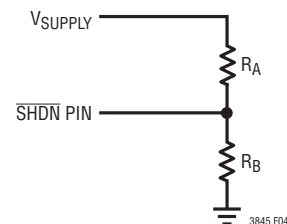


Figure 4. Undervoltage Feedback Divider

## APPLICATIONS INFORMATION

If low supply current in standby mode is required, select a higher value of  $R_B$ .

The supply turn off voltage is 9% below turn on. In the example the  $V_{SUPPLY(OFF)}$  would be 13.2V.

If additional hysteresis is desired for the enable function, an external positive feedback resistor can be used from the LT3845 regulator output.

The shutdown function can be disabled by connecting the  $\overline{SHDN}$  pin to the  $V_{IN}$  through a large value pull-up resistor. This pin contains a low impedance clamp at 6V, so the  $\overline{SHDN}$  pin will sink current from the pull-up resistor ( $R_{PU}$ ):

$$I_{\overline{SHDN}} = \frac{V_{IN} - 6V}{R_{PU}}$$

Because this arrangement will clamp the  $\overline{SHDN}$  pin to the 6V, it will violate the 5V absolute maximum voltage rating of the pin. This is permitted, however, as long as the absolute maximum input current rating of 1mA is not exceeded. Input  $\overline{SHDN}$  pin currents of  $<100\mu A$  are recommended: a  $1M\Omega$  or greater pull-up resistor is typically used for this configuration.

### Soft-Start

The desired soft-start time ( $t_{SS}$ ) is programmed via the  $C_{SS}$  capacitor as follows:

$$C_{SS} = \frac{2\mu A \cdot t_{SS}}{1.231V}$$

The amount of time in which the power supply can withstand a  $V_{IN}$ ,  $V_{CC}$  or  $V_{\overline{SHDN}}$  UVLO fault condition ( $t_{FAULT}$ ) before the  $C_{SS}$  pin voltage enters its active region is approximated by the following formula:

$$t_{FAULT} = \frac{C_{SS} \cdot 0.65V}{50\mu A}$$

### Oscillator SYNC

The oscillator can be synchronized to an external clock. Set the  $R_{SET}$  resistor at least 10% below the desired sync frequency.

It is recommended that the SYNC pin be driven with a square wave that has amplitude greater than 2V, pulse width greater than  $1\mu s$  and rise time less than 500ns. The rising edge of the sync wave form triggers the discharge of the internal oscillator capacitor. The SYNC pin is not available in the N-Package.

### Minimum On-Time Considerations (Buck Mode)

Minimum on-time  $t_{ON(MIN)}$  is the smallest amount of time that the LT3845 is capable of turning the top MOSFET on and off again. It is determined by internal timing delays and the amount of gate charge required turning on the top MOSFET. Low duty cycle applications may approach this minimum on-time limit and care should be taken to ensure that:

$$t_{ON} = \frac{V_{OUT}}{V_{IN} \cdot f_{SW}} > t_{ON(MIN)}$$

where  $t_{ON(MIN)}$  is 400ns worst case.

If the duty cycle falls below what can be accommodated by the minimum on-time, the LT3845 will begin to skip cycles. The output will be regulated, but the ripple current and ripple voltage will increase. If lower frequency operation is acceptable, the on-time can be increased above  $t_{ON(MIN)}$  for the same step-down ratio.

### Layout Considerations

The LT3845 is typically used in DC/DC converter designs that involve substantial switching transients. The switch drivers on the IC are designed to drive large capacitances and, as such, generate significant transient currents themselves. Careful consideration must be made regarding supply bypass capacitor locations to avoid corrupting the ground reference used by IC.

Typically, high current paths and transients from the input supply and any local drive supplies must be kept isolated from SGND, to which sensitive circuits such as the error amp reference and the current sense circuits are referred.

Effective grounding can be achieved by considering switch current in the ground plane, and the return current paths of each respective bypass capacitor. The  $V_{IN}$  bypass return,  $V_{CC}$  bypass return, and the source of the synchronous

## APPLICATIONS INFORMATION

FET carry PGND currents. SGND originates at the negative terminal of the  $V_{OUT}$  bypass capacitor, and is the small signal reference for the LT3845.

Don't be tempted to run small traces to separate ground paths. A good ground plane is important as always, but PGND referred bypass elements must be oriented such that transient currents in these return paths do not corrupt the SGND reference.

During the dead-time between switch conduction, the body diode of the synchronous FET conducts inductor current. Commutating this diode requires a significant charge contribution from the main switch. At the instant the body diode commutates, a current discontinuity is created and parasitic inductance causes the switch node to fly up in response to this discontinuity. High currents and excessive parasitic inductance can generate extremely fast  $dV/dt$  rise times. This phenomenon can cause avalanche breakdown in the synchronous FET body diode, significant inductive overshoot on the switch node, and shoot-through currents via parasitic turn-on of the synchronous FET. Layout practices and component orientations that minimize parasitic inductance on this node is critical for reducing these effects.

Ringings waveforms in a converter circuit can lead to device failure, excessive EMI, or instability. In many cases, you can damp a ringing waveform with a series RC network across the offending device. In LT3845 applications, any ringing will typically occur on the switch node, which can usually be reduced by placing a snubber across the synchronous FET. Use of a snubber network, however, should be considered a last resort. Effective layout practices typically reduce ringing and overshoot, and will eliminate the need for such solutions.

Effective grounding techniques are critical for successful DC/DC converter layouts. Orient power path components such that current paths in the ground plane do not cross through signal ground areas. Signal ground refers to the Exposed Pad on the backside of the LT3845 IC in the TSSOP package. SGND is referenced to the (-) terminal of the  $V_{OUT}$  decoupling capacitor and is used as the converter voltage feedback reference. Power ground currents are controlled on the LT3845 via the PGND pin, and this ground references the high current synchronous switch

drive components, as well as the local  $V_{CC}$  supply. It is important to keep PGND and SGND voltages consistent with each other, so separating these grounds with thin traces is not recommended. When the synchronous FET is turned on, gate drive surge currents return to the LT3845 PGND pin from the FET source. The BOOST supply refresh surge currents also return through this same path. The synchronous FET must be oriented such that these PGND return currents do not corrupt the SGND reference. Problems caused by the PGND return path are generally recognized during heavy load conditions, and are typically evidenced as multiple switch pulses occurring during a single switch cycle. This behavior indicates that SGND is being corrupted and grounding should be improved. SGND corruption can often be eliminated, however, by adding a small capacitor (100pF to 200pF) across the synchronous switch FET from drain to source.

The high  $di/dt$  loop formed by the switch MOSFETs and the input capacitor ( $C_{IN}$ ) should have short wide traces to minimize high frequency noise and voltage stress from inductive ringing. Surface mount components are preferred to reduce parasitic inductances from component leads. Connect the drain of the main switch MOSFET directly to the (+) plate of  $C_{IN}$ , and connect the source of the synchronous switch MOSFET directly to the (-) terminal of  $C_{IN}$ . This capacitor provides the AC current to the switch MOSFETs. Switch path currents can be controlled by orienting switch FETs, the switched inductor, and input and output decoupling capacitors in close proximity to each other.

Locate the  $V_{CC}$  and BOOST decoupling capacitors in close proximity to the IC. These capacitors carry the MOSFET drivers' high peak currents. Locate the small-signal components away from high frequency switching nodes (BOOST, SW, TG,  $V_{CC}$  and BG). Small-signal nodes are oriented on the left side of the LT3845, while high current switching nodes are oriented on the right side of the IC to simplify layout. This also helps prevent corruption of the SGND reference.

Connect the  $V_{FB}$  pin directly to the feedback resistors independent of any other nodes, such as the SENSE<sup>-</sup> pin. The feedback resistors should be connected between the (+) and (-) terminals of the output capacitor ( $C_{OUT}$ ).

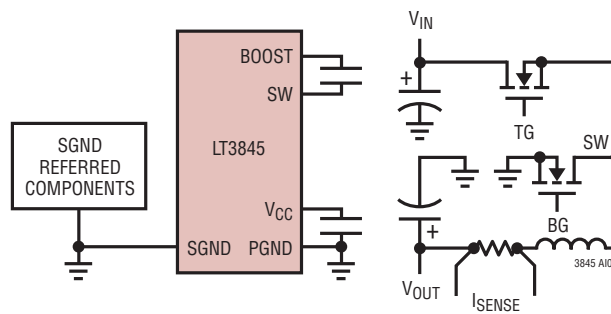
## APPLICATIONS INFORMATION

Locate the feedback resistors in close proximity to the LT3845 to minimize the length of the high impedance  $V_{FB}$  node.

The  $SENSE^-$  and  $SENSE^+$  traces should be routed together and kept as short as possible.

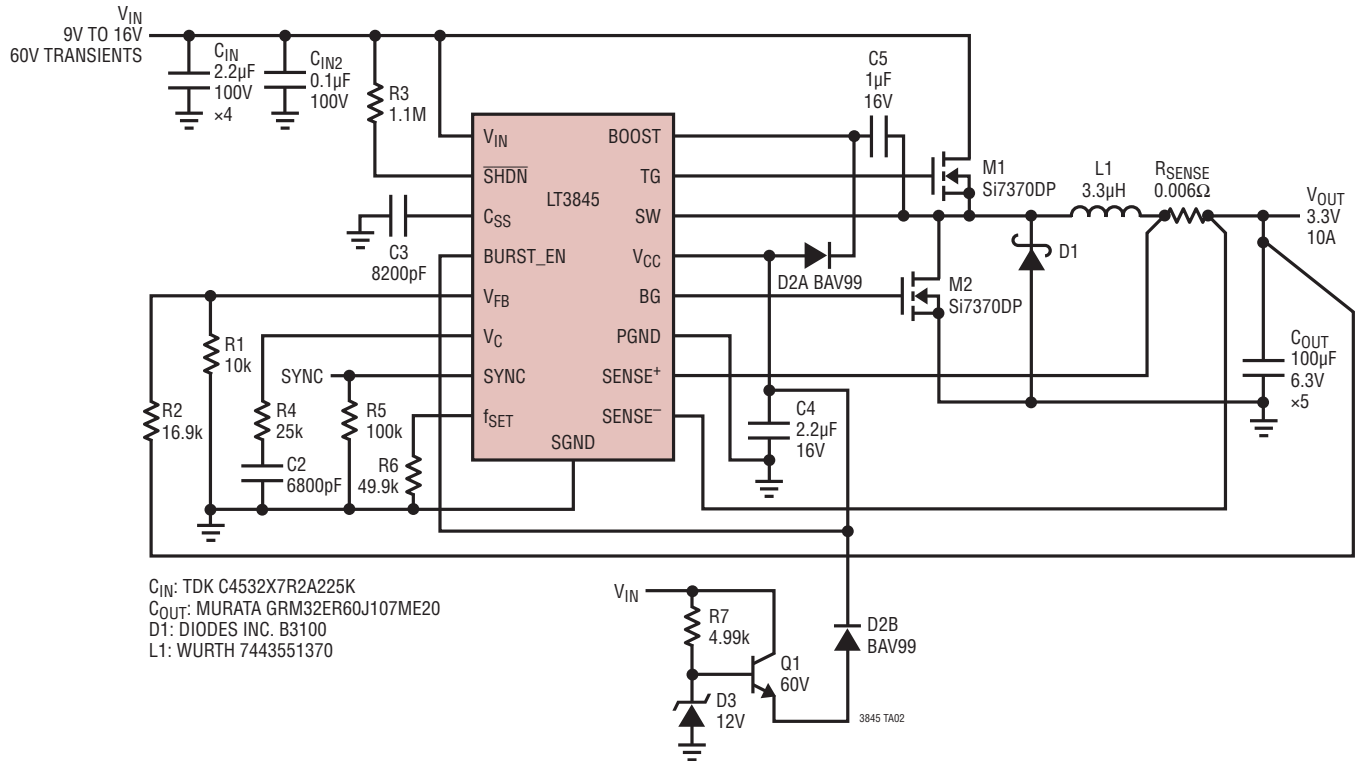
The LT3845 TSSOP package has been designed to efficiently remove heat from the IC via the Exposed Pad on the backside of the package. The Exposed Pad is soldered to a copper footprint on the PCB. This footprint should be made as large as possible to reduce the thermal resistance of the IC case to ambient air.

**Orientation of Components Isolates Power Path and PGND Currents, Preventing Corruption of SGND Reference**

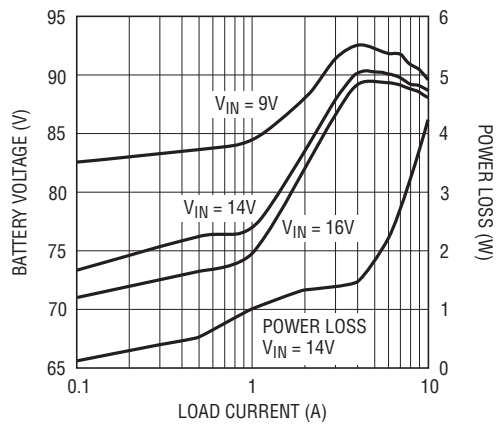


## TYPICAL APPLICATIONS

9V-16V to 3.3V at 10A DC/DC Converter Capable of Withstanding 60V Transients,  
All Ceramic Capacitors and Soft-Start Enabled



Efficiency and Power Loss

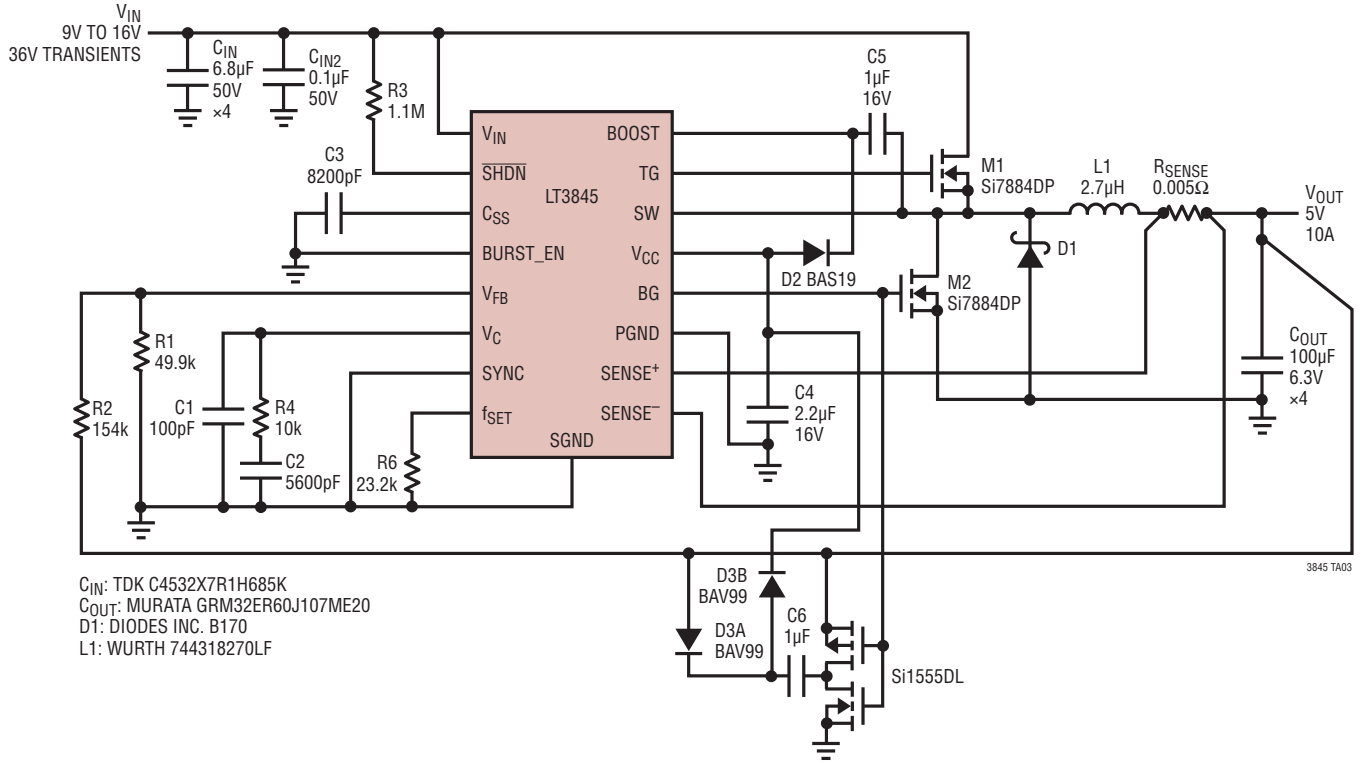


3845 TA02b

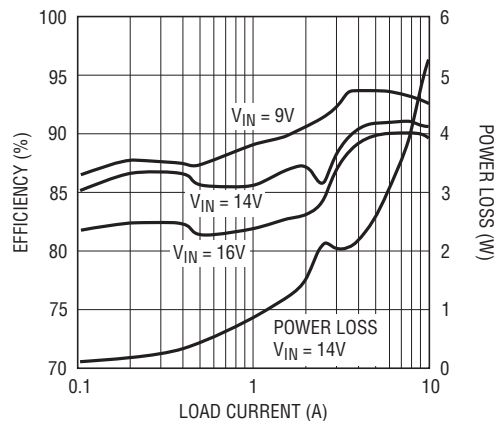


# TYPICAL APPLICATIONS

**9V-16V to 5V at 10A DC/DC Converter, 500kHz Frequency Operation,  
Capable of Withstanding 36V Transients, All Ceramic Capacitors, Soft-Start and Burst Mode Enabled**



**Efficiency and Power Loss**



3845 TA03b

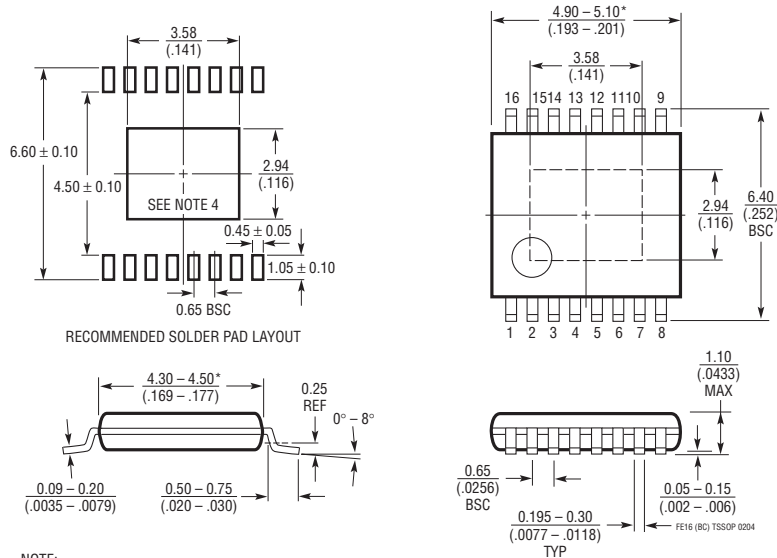
3845fd





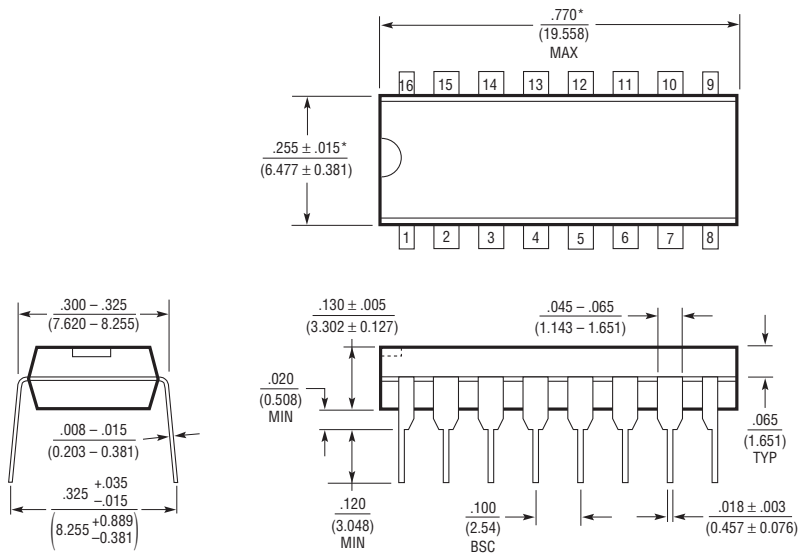
# PACKAGE DESCRIPTION

## FE Package 16-Lead Plastic TSSOP (4.4mm) (Reference LTC DWG # 05-08-1663) Exposed Pad Variation BC



- NOTE:
1. CONTROLLING DIMENSION: MILLIMETERS
  2. DIMENSIONS ARE IN  $\frac{\text{MILLIMETERS}}{\text{INCHES}}$
  3. DRAWING NOT TO SCALE
  4. RECOMMENDED MINIMUM PCB METAL SIZE FOR EXPOSED PAD ATTACHMENT  
\*DIMENSIONS DO NOT INCLUDE MOLD FLASH. MOLD FLASH SHALL NOT EXCEED 0.150mm (.006") PER SIDE

## N Package 16-Lead PDIP (Reference LTC DWG # 05-08-1510)



- NOTE:
1. DIMENSIONS ARE  $\frac{\text{INCHES}}{\text{MILLIMETERS}}$
- \*THESE DIMENSIONS DO NOT INCLUDE MOLD FLASH OR PROTRUSIONS.  
MOLD FLASH OR PROTRUSIONS SHALL NOT EXCEED .010 INCH (0.254mm)

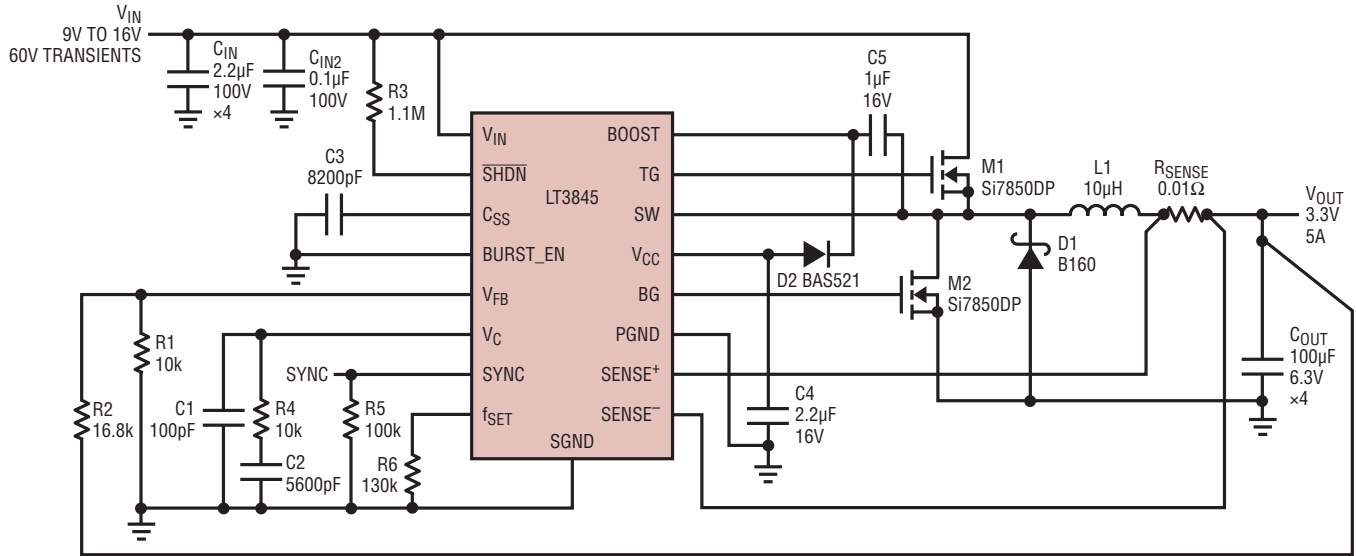
N16 1002

**REVISION HISTORY** (Revision history begins at Rev D)

REV	DATE	DESCRIPTION	PAGE NUMBER
D	1/10	Updated Features and Description	1
		Revised Absolute Maximum Ratings, Pin Configuration and Order Information to Add New Package and Grade Options	2
		Revised Electrical Characteristics	3, 4
		Revised Pin Functions	7, 8
		Updated Block Diagram	9
		Revised Oscillator SYNC Section	18
		Revised Typical Applications	21, 22, 23, 26
		Updated Related Parts List	26

# TYPICAL APPLICATION

**9V-16V to 3.3V at 5A DC/DC Converter, Frequency Synchronization Range 150kHz to 300kHz, Capable of Withstanding 60V Transients, All Ceramic Capacitors, Soft-Start and Burst Mode Enabled**



C<sub>IN</sub>: TDK C4532X7R2A225K  
 C<sub>OUT</sub>: MURATA GRM32ER60J107ME20  
 L1: VISHAY IHLP-5050FD-01  
 M1, M2: VISHAY Si7850DP

3845 TA04

## RELATED PARTS

PART NUMBER	DESCRIPTION	COMMENTS
LT3800	High Voltage Low I <sub>Q</sub> Synchronous Step-Down DC/DC Controller	Fixed 200kHz Operating Frequency 4V ≤ V <sub>IN</sub> ≤ 60V, 1.23V ≤ V <sub>OUT</sub> ≤ 36V, I <sub>Q</sub> = 100µA, TSSOP-16
LT3844	High Voltage Low I <sub>Q</sub> Switching Regulator DC/DC Controller	Synchronizable Fixed Operating Frequency 100kHz to 600kHz, 4V ≤ V <sub>IN</sub> ≤ 60V, 1.23V ≤ V <sub>OUT</sub> ≤ 36V, I <sub>Q</sub> = 120µA, TSSOP-16
LT3724	High Voltage Low I <sub>Q</sub> Switching Regulator DC/DC Controller	Fixed 200kHz Operating Frequency 4V ≤ V <sub>IN</sub> ≤ 60V, 1.23V ≤ V <sub>OUT</sub> ≤ 36V, I <sub>Q</sub> = 100µA, TSSOP-16
LTC3812-5	High Voltage Synchronous Step-Down DC/DC Controller	4.2V ≤ V <sub>IN</sub> ≤ 60V, 0.8V ≤ V <sub>OUT</sub> ≤ 0.9V <sub>IN</sub> , TSSOP-16
LTC3810	100V Synchronous Step-Down DC/DC Controller	6.2V ≤ V <sub>IN</sub> ≤ 100V, 0.8V ≤ V <sub>OUT</sub> ≤ 0.9V <sub>IN</sub> , SSOP-28
LT3758	100V Boost, Flyback, SEPIC and Inverting Controller	5.5V ≤ V <sub>IN</sub> ≤ 100V, Selectable Operating Frequency 100kHz to 1MHz 3mm × 3mm DFN-10 and MSOP-10E Package
LT3757	Boost, Flyback, SEPIC and Inverting Controller	2.9V ≤ V <sub>IN</sub> ≤ 40V, Selectable Operating Frequency 100kHz to 1MHz 3mm × 3mm DFN-10 and MSOP-10E Package
LTC3824	High Voltage Low I <sub>Q</sub> DC/DC Controller, 100% Duty Cycle	Selectable Fixed Operating Frequency 200kHz to 600kHz 4V ≤ V <sub>IN</sub> ≤ 60V, 0.8V ≤ V <sub>OUT</sub> ≤ V <sub>IN</sub> , I <sub>Q</sub> = 40µA, MSOP-10E
LTC3834/ LTC3834-1	Low I <sub>Q</sub> , Synchronous Step-Down Controllers	30µA I <sub>Q</sub> , 4V ≤ V <sub>IN</sub> ≤ 36V, 0.8V ≤ V <sub>OUT</sub> ≤ 10V
LTC3835/ LTC3835-1	Low I <sub>Q</sub> , Synchronous Step-Down Controllers	80µA I <sub>Q</sub> , 4V ≤ V <sub>IN</sub> ≤ 36V, 0.8V ≤ V <sub>OUT</sub> ≤ 10V
LTC3857/ LTC3857-1	Low I <sub>Q</sub> , Dual Output 2-Phase Synchronous Step-Down DC/DC Controller with 99% Duty Cycle	Phase-Lockable Fixed Operating Frequency 50kHz to 900kHz, 4V ≤ V <sub>IN</sub> ≤ 38V, 0.8V ≤ V <sub>OUT</sub> ≤ 24V, I <sub>Q</sub> = 50µA
LTC3858/ LTC3858-1	Low I <sub>Q</sub> , Dual Output 2-Phase Synchronous Step-Down DC/DC Controller with 99% Duty Cycle	Phase-Lockable Fixed Operating Frequency 50kHz to 900kHz, 4V ≤ V <sub>IN</sub> ≤ 38V, 0.8V ≤ V <sub>OUT</sub> ≤ 24V, I <sub>Q</sub> = 170µA,

3845fd