

42V, 1.5A Synchronous Step-Down Regulator with 2.5µA Quiescent Current

FEATURES

- **Wide Input Voltage Range: 3.0V to 42V**
- **Ultralow Quiescent Current Burst Mode® Operation**
 - **<2.5µA I_Q Regulating 12V_{IN} to 3.3V_{OUT}**
 - **Output Ripple <10mV_{P-P}**
- **High Efficiency 2MHz Synchronous Operation**
 - **>92% Efficiency at 0.5A, 5V_{OUT} from 12V_{IN}**
- **1.5A Continuous Output Current**
- **Fast Minimum Switch-On Time: 35ns**
- **Adjustable and Synchronizable: 200kHz to 2.2MHz**
- **Spread Spectrum Frequency Modulation for Low EMI**
- Allows Use of Small Inductors
- Low Dropout
- Peak Current Mode Operation
- Accurate 1V Enable Pin Threshold
- Internal Compensation
- Output Soft-Start and Tracking
- Small 10-Lead MSOP Package or 8-Lead 2mm × 2mm DFN Package

APPLICATIONS

- General Purpose Step Down
- Low EMI Step Down

DESCRIPTION

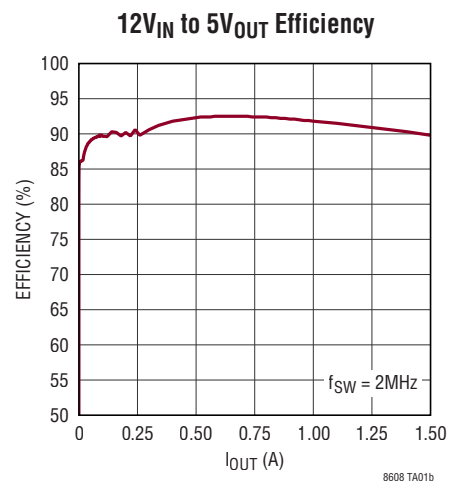
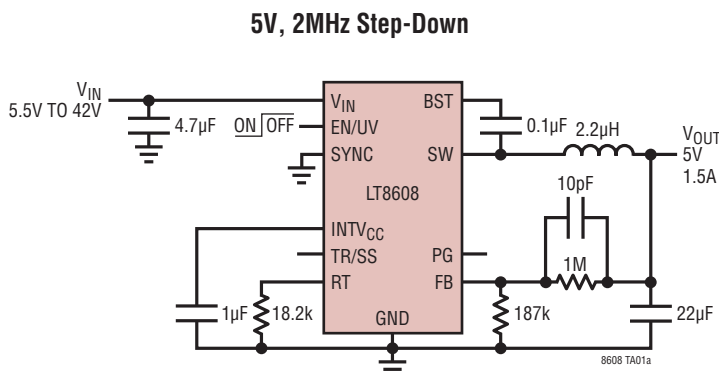
The **LT®8608** is a compact, high efficiency, high speed synchronous monolithic step-down switching regulator that consumes only 1.7µA of quiescent current. The LT8608 can deliver 1.5A of continuous current. Low ripple Burst Mode operation enables high efficiency down to very low output currents while keeping the output ripple below 10mV. Internal compensation with peak current mode topology allows the use of small inductors and results in fast transient response and good loop stability. The EN/UV pin has an accurate 1V threshold and can be used to program V_{IN} undervoltage lockout or to shut down the LT8608. The PG flag signals when V_{OUT} is within ±8.5% of the programmed output voltage as well as fault conditions.

The MSOP package includes a SYNC pin to synchronize to an external clock, or to select Burst Mode operation or pulse-skipping with or without spread-spectrum; the TR/SS pin programs soft-start or tracking. The DFN package omits these pins and can be purchased in pulse-skipping or Burst Mode operation varieties.

| | PACKAGE | SYNC FUNCTIONALITY |
|------------|---------|----------------------|
| LT8608MSE | MSE | Programmable |
| LT8608DFN | DFN | Burst Mode Operation |
| LT8608BDFN | DFN | Pulse-Skipping Mode |

All registered trademarks and trademarks are the property of their respective owners.

TYPICAL APPLICATION



LT8608/LT8608B

ABSOLUTE MAXIMUM RATINGS

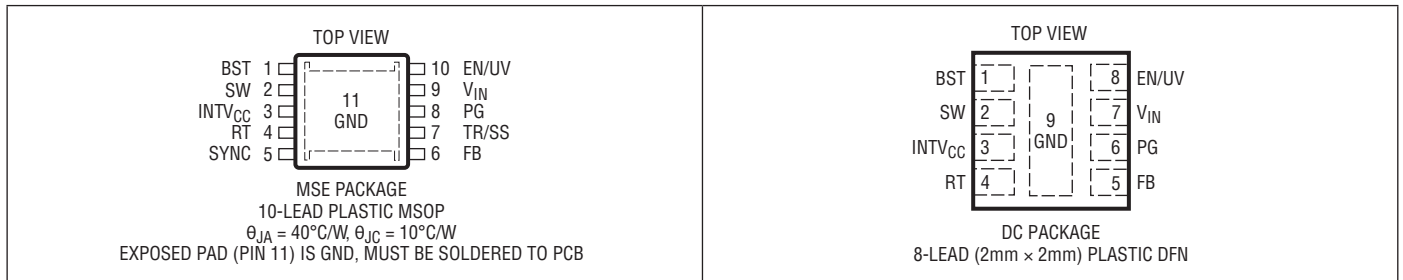
(Note 1)

| | |
|----------------------------|-----|
| V_{IN} , EN/UV, PG | 42V |
| FB, TR/SS | 4V |
| SYNC Voltage | 6V |

Operating Junction Temperature Range (Note 2)

| | |
|---------------------------------|----------------|
| LT8608E | -40°C to 125°C |
| LT8608I | -40°C to 125°C |
| LT8608H | -40°C to 150°C |
| Storage Temperature Range | -65°C to 150°C |

PIN CONFIGURATION



ORDER INFORMATION

| LEAD FREE FINISH | TAPE AND REEL | PART MARKING* | PACKAGE DESCRIPTION | TEMPERATURE RANGE |
|-------------------|------------------|---------------|--------------------------------|-------------------|
| LT8608EMSE#PBF | LT8608EMSE#TRPBF | LTGVZ | 10-Lead Plastic MSOP | -40°C to 125°C |
| LT8608IMSE#PBF | LT8608IMSE#TRPBF | LTGVZ | 10-Lead Plastic MSOP | -40°C to 125°C |
| LT8608HMSE#PBF | LT8608HMSE#TRPBF | LTGVZ | 10-Lead Plastic MSOP | -40°C to 150°C |
| LT8608EDC#TRMPBF | LT8608EDC#TRPBF | LGXB | 8-Lead (2mm × 2mm) Plastic DFN | -40°C to 125°C |
| LT8608IDC#TRMPBF | LT8608IDC#TRPBF | LGXB | 8-Lead (2mm × 2mm) Plastic DFN | -40°C to 125°C |
| LT8608HDC#TRMPBF | LT8608HDC#TRPBF | LGXB | 8-Lead (2mm × 2mm) Plastic DFN | -40°C to 150°C |
| LT8608BEDC#TRMPBF | LT8608BEDC#TRPBF | LGXC | 8-Lead (2mm × 2mm) Plastic DFN | -40°C to 125°C |
| LT8608BIDC#TRMPBF | LT8608BIDC#TRPBF | LGXC | 8-Lead (2mm × 2mm) Plastic DFN | -40°C to 125°C |
| LT8608BHDC#TRMPBF | LT8608BHDC#TRPBF | LGXC | 8-Lead (2mm × 2mm) Plastic DFN | -40°C to 150°C |

Contact the factory for parts specified with wider operating temperature ranges. *The temperature grade is identified by a label on the shipping container.

[Tape and reel specifications](#). Some packages are available in 500 unit reels through designated sales channels with #TRMPBF suffix.

ELECTRICAL CHARACTERISTICS

The ● denotes the specifications which apply over the full operating temperature range, otherwise specifications are at $T_A = 25^{\circ}\text{C}$.

| PARAMETER | CONDITIONS | MIN | TYP | MAX | UNITS |
|--------------------------------|---|-----|-----------|------------|--------------------------------|
| Minimum Input Voltage | | | 2.5 | 3.0 3.2 | V |
| V_{IN} Quiescent Current | $V_{EN/UV} = 0\text{V}$, $V_{SYNC} = 0\text{V}$ $V_{EN/UV} = 2\text{V}$, Not Switching, $V_{SYNC} = 0\text{V}$ or LT8608 DFN, $V_{IN} \leq 36\text{V}$ | | 1 1.7 | 4 12 | μA μA |
| V_{IN} Current in Regulation | $V_{IN} = 6\text{V}$, $V_{OUT} = 2.7\text{V}$, Output Load = 100 μA $V_{IN} = 6\text{V}$, $V_{OUT} = 2.7\text{V}$, Output Load = 1mA | | 56 500 | 90 700 | μA μA |

Rev. D

ELECTRICAL CHARACTERISTICS The ● denotes the specifications which apply over the full operating temperature range, otherwise specifications are at $T_A = 25^\circ\text{C}$.

| PARAMETER | CONDITIONS | MIN | TYP | MAX | UNITS |
|---|---|---------|-------|-------|-------|
| Feedback Reference Voltage | MSOP Package $V_{IN} = 6\text{V}$, $I_{LOAD} = 100\text{mA}$ $V_{IN} = 6\text{V}$, $I_{LOAD} = 100\text{mA}$ | ● 0.774 | 0.778 | 0.782 | V |
| | | ● 0.762 | 0.778 | 0.798 | V |
| | DFN Package $V_{IN} = 6\text{V}$, $I_{LOAD} = 100\text{mA}$ $V_{IN} = 6\text{V}$, $I_{LOAD} = 100\text{mA}$ | ● 0.773 | 0.778 | 0.783 | V |
| | | ● 0.753 | 0.778 | 0.803 | V |
| Feedback Voltage Line Regulation | $V_{IN} = 4.0\text{V}$ to 40V | ● | ±0.02 | ±0.06 | %/V |
| Feedback Pin Input Current | $V_{FB} = 1\text{V}$ | ● | | ±20 | nA |
| Minimum On-Time | $I_{LOAD} = 1\text{A}$, SYNC = 0V or LT8608 DFN | ● | 35 | 65 | ns |
| | $I_{LOAD} = 1\text{A}$, SYNC = 1.9V or LT8608B DFN | ● | 35 | 60 | ns |
| Minimum Off Time | | | 93 | 130 | ns |
| Oscillator Frequency | MSOP Package $R_T = 221\text{k}$, $I_{LOAD} = 500\text{mA}$ $R_T = 60.4\text{k}$, $I_{LOAD} = 500\text{mA}$ $R_T = 18.2\text{k}$, $I_{LOAD} = 200\text{mA}$ | ● 155 | 200 | 245 | kHz |
| | | ● 640 | 700 | 760 | kHz |
| | | ● 1.90 | 2.00 | 2.10 | MHz |
| | DFN Package $R_T = 221\text{k}$, $I_{LOAD} = 500\text{mA}$ $R_T = 60.4\text{k}$, $I_{LOAD} = 500\text{mA}$ $R_T = 18.2\text{k}$, $I_{LOAD} = 200\text{mA}$ | ● 130 | 200 | 270 | kHz |
| | | ● 610 | 700 | 790 | kHz |
| | | ● 1.85 | 2.00 | 2.15 | MHz |
| Top Power NMOS On-Resistance | $I_{LOAD} = 0.5\text{A}$ | | 350 | | mΩ |
| Top Power NMOS Current Limit | | ● 2.1 | 2.9 | 3.9 | A |
| Bottom Power NMOS On-Resistance | | | 230 | | mΩ |
| SW Leakage Current | $V_{IN} = 36\text{V}$ | ● | | 15 | μA |
| EN/UV Pin Threshold | EN/UV Rising | ● 0.99 | 1.05 | 1.11 | V |
| EN/UV Pin Hysteresis | | | 50 | | mV |
| EN/UV Pin Current | $V_{EN/UV} = 2\text{V}$ | ● | | ±20 | nA |
| PG Upper Threshold Offset from V_{FB} | V_{FB} Rising | ● 5.0 | 8.5 | 13.0 | % |
| PG Lower Threshold Offset from V_{FB} | V_{FB} Falling | ● 5.0 | 8.5 | 13.0 | % |
| PG Hysteresis | | | 0.5 | | % |
| PG Leakage | $V_{PG} = 42\text{V}$ | ● | | ±200 | nA |
| PG Pull-Down Resistance | $V_{PG} = 0.1\text{V}$ | | 550 | 1200 | Ω |
| Sync Low Input Voltage | MSOP Only | ● 0.4 | 0.9 | | V |
| Sync High Input Voltage | $\text{INTV}_{CC} = 3.5\text{V}$, MSOP Only | ● | 2.7 | 3.2 | V |
| TR/SS Source Current | MSOP Only | ● 1 | 2 | 3 | μA |
| TR/SS Pull-Down Resistance | Fault Condition, TR/SS = 0.1V, MSOP Only | | 300 | 900 | Ω |
| Spread Spectrum Modulation Frequency | $V_{SYNC} = 3.3\text{V}$, MSOP Only | ● 0.5 | 3 | 6 | kHz |

Note 1: Stresses beyond those listed under Absolute Maximum Ratings may cause permanent damage to the device. Exposure to any Absolute Maximum Rating condition for extended periods may affect device reliability and lifetime. Absolute Maximum Ratings are those values beyond which the life of a device may be impaired.

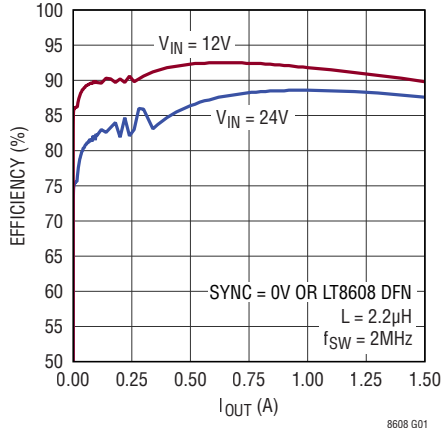
Note 2: The LT8608E is guaranteed to meet performance specifications from 0°C to 125°C junction temperature. Specifications over the -40°C to 125°C operating junction temperature range are assured by design, characterization, and correlation with statistical process controls. The LT8608I is guaranteed over the full -40°C to 125°C operating junction

temperature range. The LT8608H is guaranteed over the full -40°C to 150°C operating junction temperature range. High junction temperatures degrade operating lifetimes. Operating lifetime is derated at junction temperatures greater than 125°C .

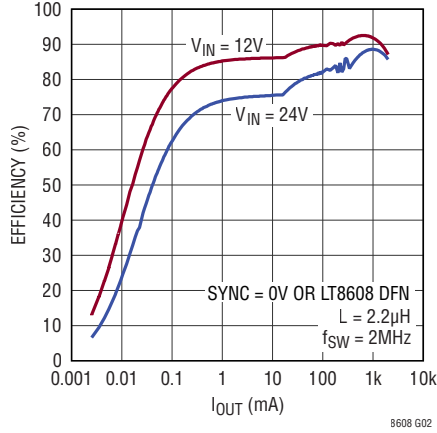
Note 3: This IC includes overtemperature protection that is intended to protect the device during overload conditions. Junction temperature will exceed 150°C when overtemperature protection is active. Continuous operation above the specified maximum operating junction temperature will reduce lifetime.

TYPICAL PERFORMANCE CHARACTERISTICS

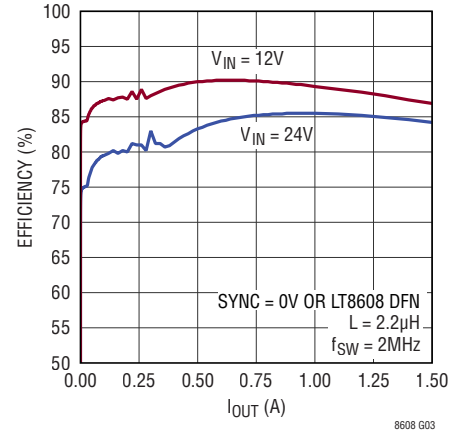
Efficiency (5V Output, Burst Mode Operation)



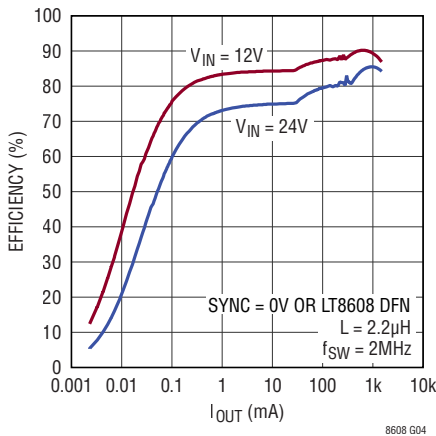
Efficiency (5V Output, Burst Mode Operation)



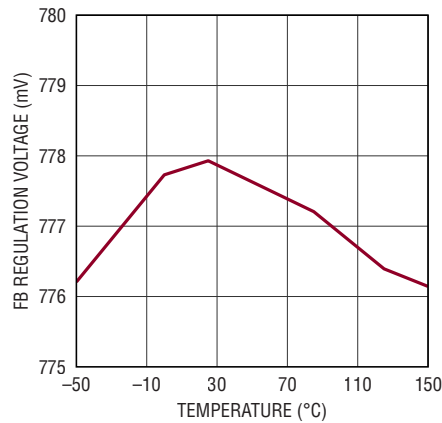
Efficiency (3.3V Output, 2MHz, Burst Mode Operation)



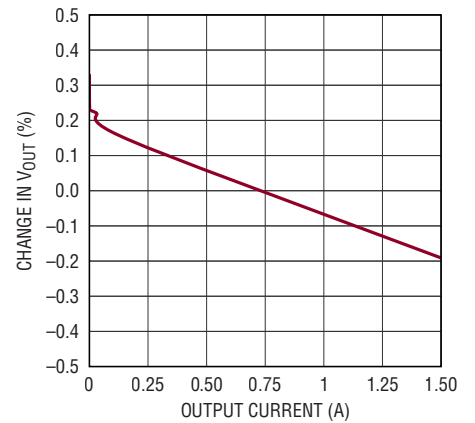
Efficiency (3.3V Output, 2MHz, Burst Mode Operation)



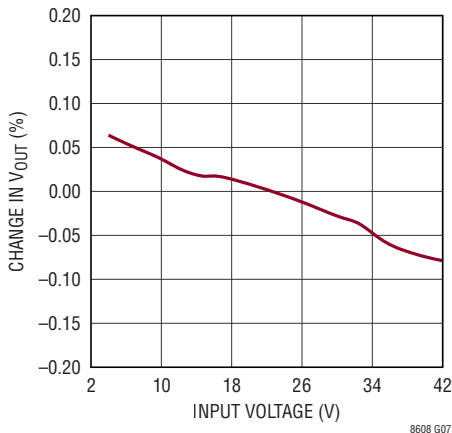
FB Voltage



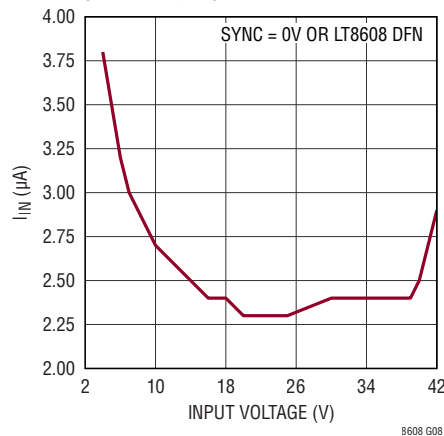
Load Regulation



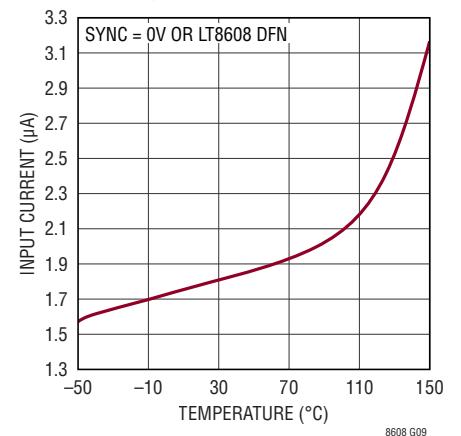
Line Regulation



No-Load Supply Current (3.3V Output)

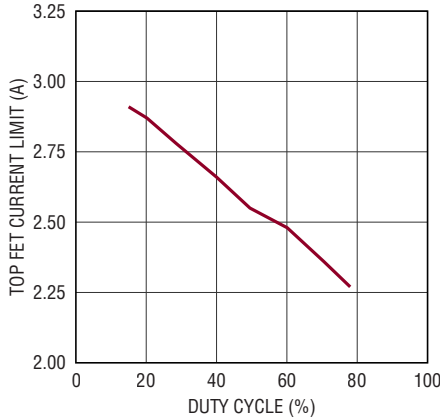


No-Load Supply Current vs Temperature



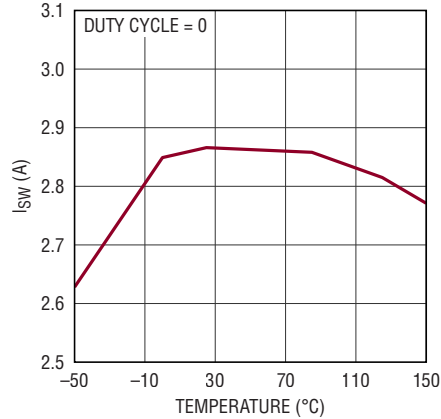
TYPICAL PERFORMANCE CHARACTERISTICS

Top FET Current Limit vs Duty Cycle



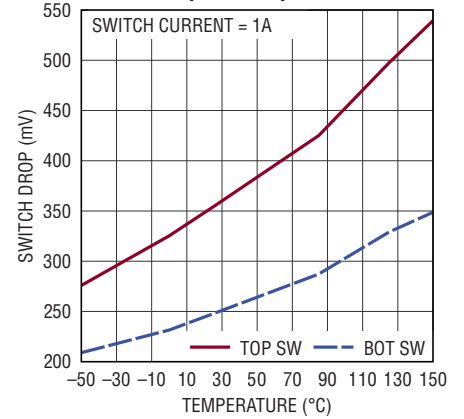
8608 G10

Top FET Current Limit vs Temperature



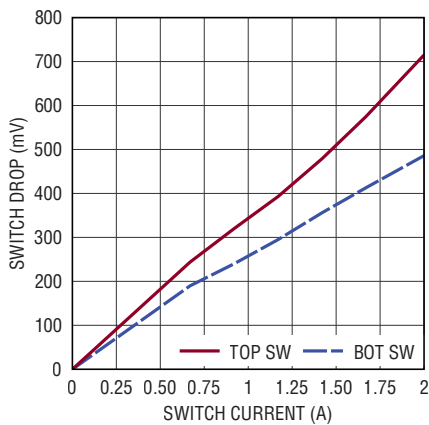
8608 G11

Switch Drop vs Temperature



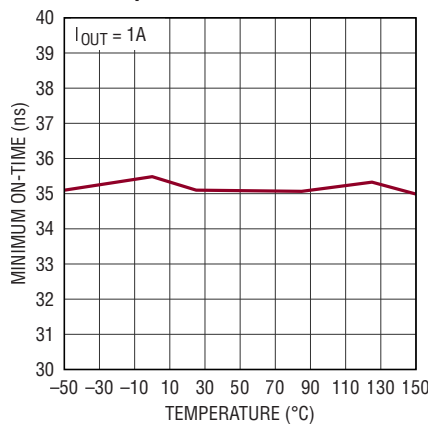
8608 G12

Switch Drop vs Switch Current



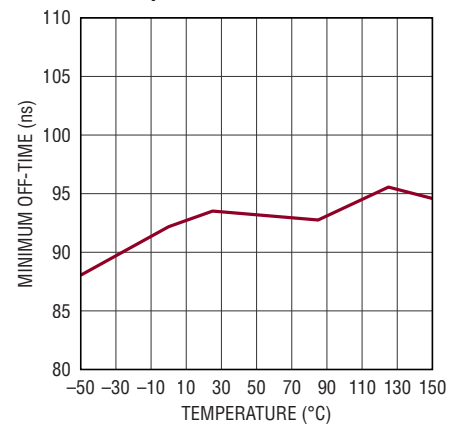
8608 G13

Minimum On-Time vs Temperature



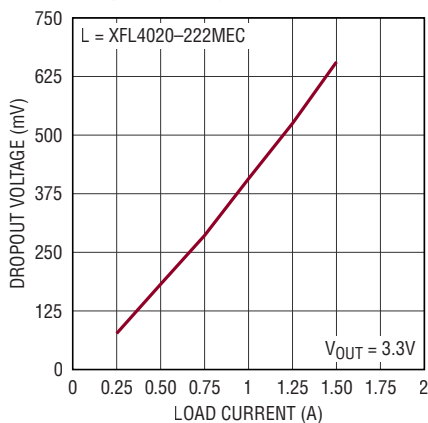
8608 G14

Minimum Off-Time vs Temperature



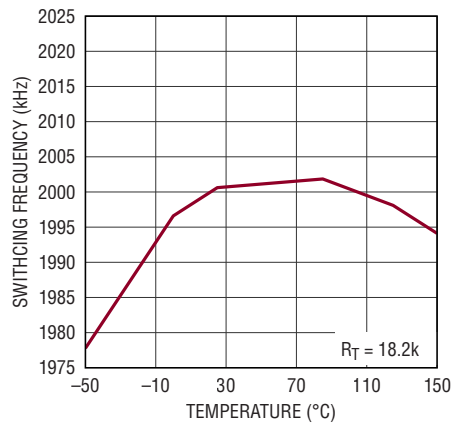
8608 G15

Dropout Voltage vs Load Current



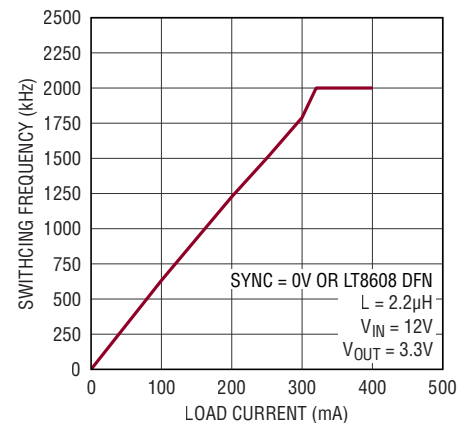
8608 G16

Switching Frequency vs Temperature



8608 G17

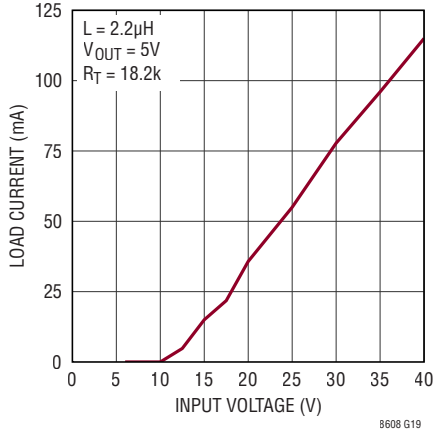
Burst Frequency vs Load Current



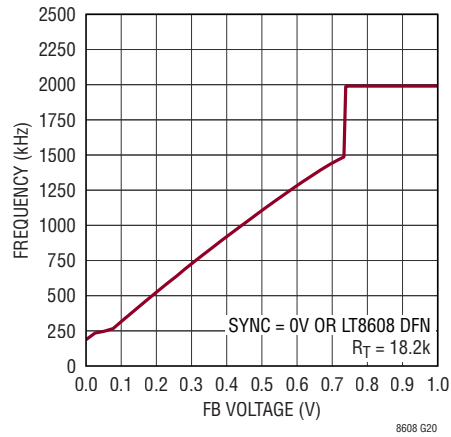
8608 G18

TYPICAL PERFORMANCE CHARACTERISTICS

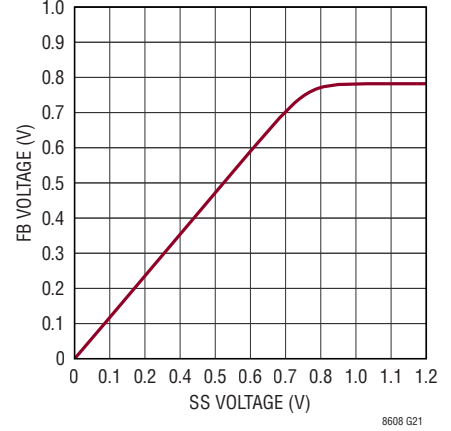
**Minimum Load to Full Frequency
(SYNC Float to 1.9V)
(MSOP Package)**



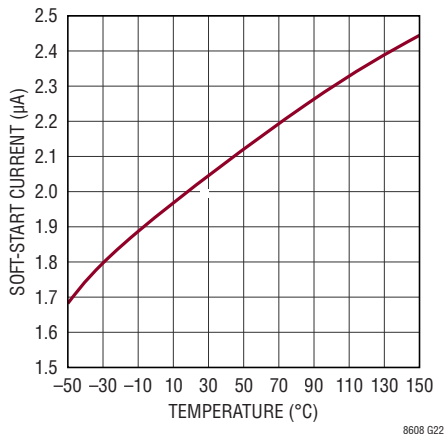
Frequency Foldback



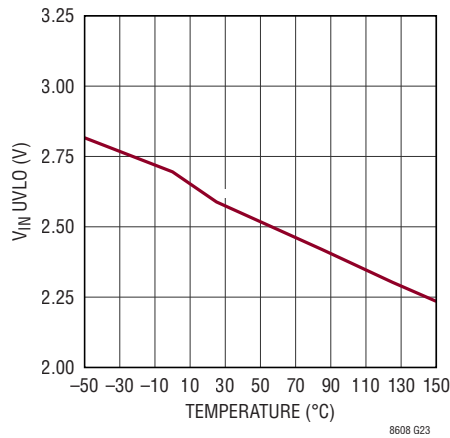
**Soft-Start Tracking
(MSOP Package)**



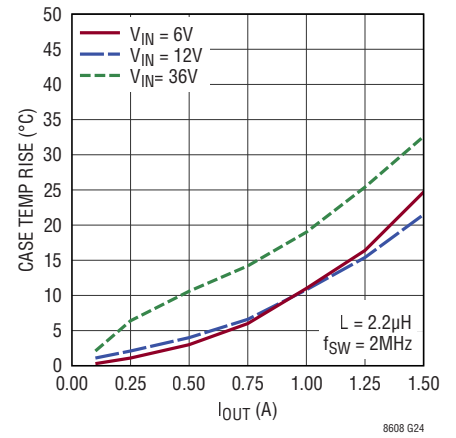
**Soft-Start Current vs Temperature
(MSOP Package)**



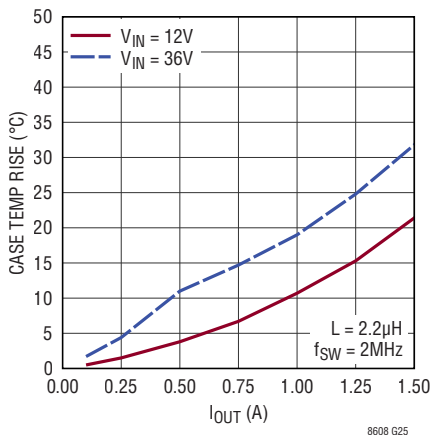
V_{IN} UVLO



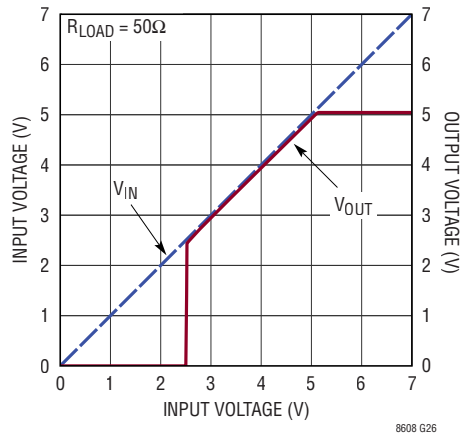
**Steady State Case Temperature
Rise vs Load Current (5V_{OUT})**



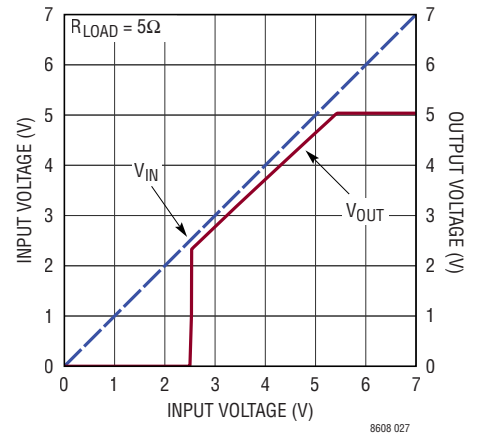
**Steady State Case Temperature
Rise vs Load (3.3V_{OUT})**



Start-Up Dropout

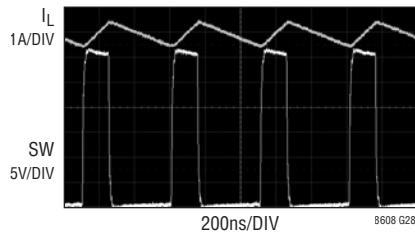


Start-Up Dropout



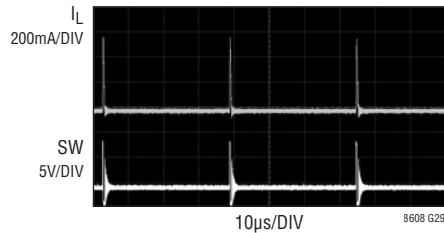
TYPICAL PERFORMANCE CHARACTERISTICS

Switching Waveforms



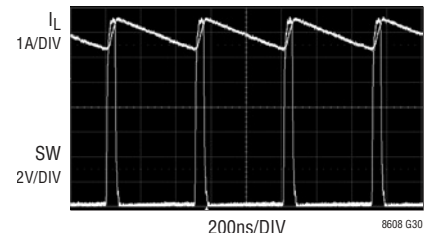
12V_{IN} TO 3.3V_{OUT} AT 1A
2MHz

Switching Waveforms



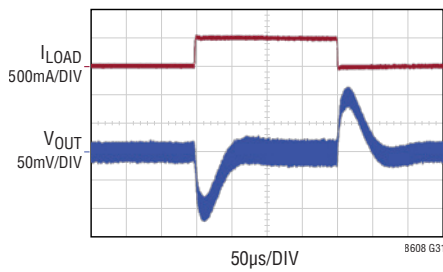
12V_{IN} TO 5V_{OUT} AT 3mA

Switching Waveforms



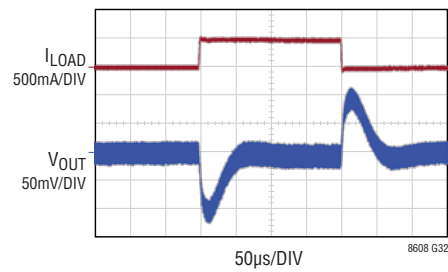
36V_{IN} TO 3.3V_{OUT} AT 1A
2MHz

Transient Response



V_{IN} = 12V
0.5A TO 1A
C_{OUT} = 47µF
f_{SW} = 2MHz

Transient Response



V_{IN} = 24V
0.5A TO 1A
C_{OUT} = 47µF
f_{SW} = 2MHz

PIN FUNCTIONS

BST: This pin is used to provide a drive voltage, higher than the input voltage, to the topside power switch. Place a 0.1 μ F boost capacitor as close as possible to the IC. Do not place a resistor in series with this pin.

SW: The SW pin is the output of the internal power switches. Connect this pin to the inductor and boost capacitor. This node should be kept small on the PCB for good performance.

INTV_{CC}: Internal 3.5V Regulator Bypass Pin. The internal power drivers and control circuits are powered from this voltage. INTV_{CC} max output current is 20mA. Voltage on INTV_{CC} will vary between 2.8V and 3.5V. Decouple this pin to power ground with at least a 1 μ F low ESR ceramic capacitor. Do not load the INTV_{CC} pin with external circuitry.

RT: A resistor is tied between RT and ground to set the switching frequency. When synchronizing, the R_T resistor should be chosen to set the LT8608 switching frequency equal to or below the lowest synchronization input.

SYNC (MSOP Only): External Clock Synchronization Input. Ground this pin for low ripple Burst Mode operation at low output loads. Tie to a clock source for synchronization to an external frequency. Leave floating for pulse-skipping mode with no spread spectrum modulation. Tie to INTV_{CC} or tie to a voltage between 3.2V and 5.0V for pulse-skipping mode with spread spectrum modulation. When in pulse-skipping mode, the I_Q will increase to several mA. There is no SYNC pin in the LT8608 DFN package. The LT8608 DFN package internally ties SYNC to ground. The LT8608B DFN package internally floats SYNC.

FB: The LT8608 regulates the FB pin to 0.778V. Connect the feedback resistor divider tap to this pin.

TR/SS (MSOP Only): Output Tracking and Soft-Start Pin. This pin allows user control of output voltage ramp rate during start-up. A TR/SS voltage below 0.778V forces the LT8608 to regulate the FB pin to equal the TR/SS pin voltage. When TR/SS is above 0.778V, the tracking function is disabled and the internal reference resumes control of the error amplifier. An internal 2 μ A pull-up current from INTV_{CC} on this pin allows a capacitor to program output voltage slew rate. This pin is pulled to ground with a 300 Ω MOSFET during shutdown and fault conditions; use a series resistor if driving from a low impedance output. There is no TR/SS pin in the LT8608 DFN or LT8608B and the node is internally floated.

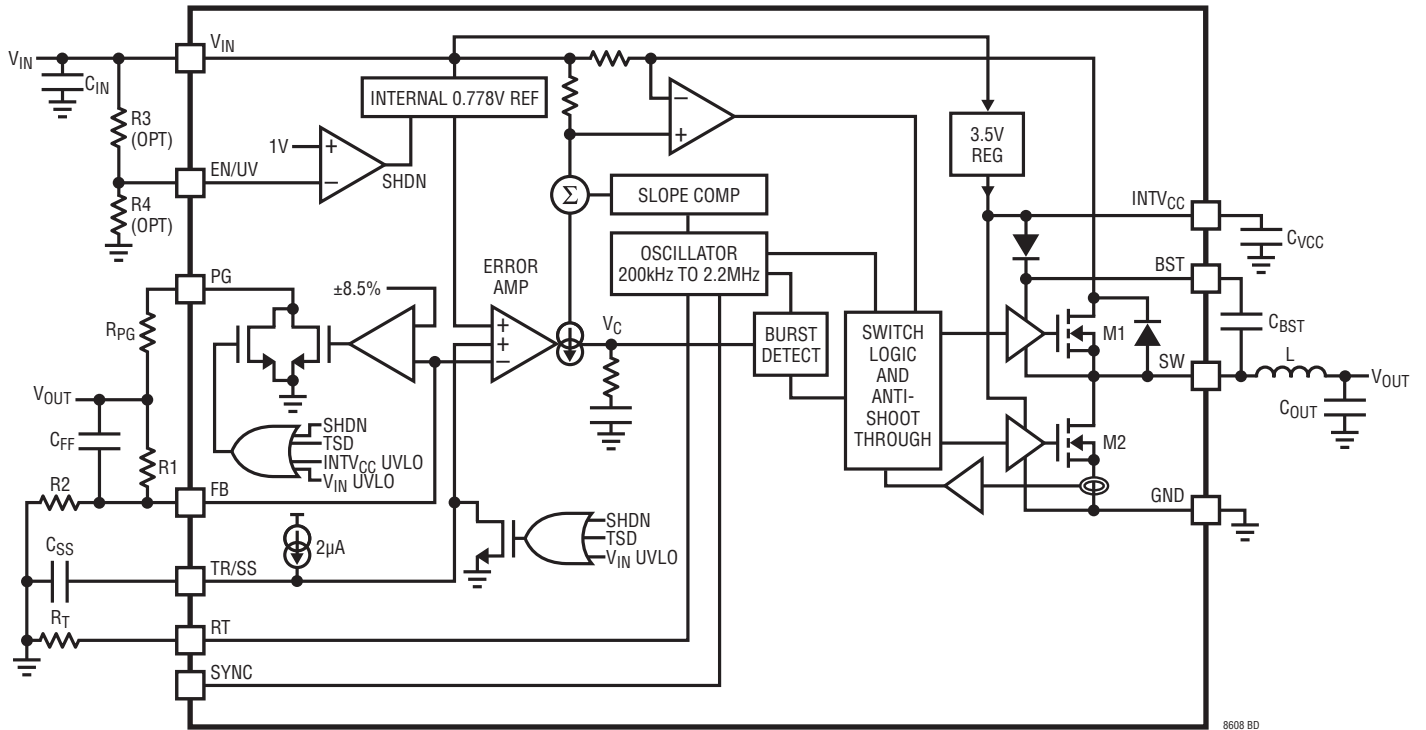
PG: The PG pin is the open-drain output of an internal comparator. PG remains low until the FB pin is within $\pm 8.5\%$ of the final regulation voltage, and there are no fault conditions. PG is valid when V_{IN} is above 3.2V, regardless of EN/UV pin state.

V_{IN}: The V_{IN} pin supplies current to the LT8608 internal circuitry and to the internal topside power switch. This pin must be locally bypassed. Be sure to place the positive terminal of the input capacitor as close as possible to the V_{IN} pins, and the negative capacitor terminal as close as possible to the GND pins.

EN/UV: The LT8608 is shut down when this pin is low and active when this pin is high. The hysteric threshold voltage is 1.05V going up and 1.00V going down. Tie to V_{IN} if the shutdown feature is not used. An external resistor divider from V_{IN} can be used to program a V_{IN} threshold below which the LT8608 will shut down.

GND: Exposed Pad Pin. The exposed pad must be connected to the negative terminal of the input capacitor and soldered to the PCB in order to lower the thermal resistance.

BLOCK DIAGRAM



8608 BD

OPERATION

The LT8608 is a monolithic constant frequency current mode step-down DC/DC converter. An oscillator with frequency set using a resistor on the RT pin turns on the internal top power switch at the beginning of each clock cycle. Current in the inductor then increases until the top switch current comparator trips and turns off the top power switch. The peak inductor current at which the top switch turns off is controlled by the voltage on the internal VC node. The error amplifier servos the VC node by comparing the voltage on the V_{FB} pin with an internal 0.778V reference. When the load current increases it causes a reduction in the feedback voltage relative to the reference leading the error amplifier to raise the VC voltage until the average inductor current matches the new load current. When the top power switch turns off the synchronous power switch turns on until the next clock cycle begins or inductor current falls to zero. If overload conditions result in excess current flowing through the bottom switch, the next clock cycle will be delayed until switch current returns to a safe level.

If the EN/UV pin is low, the LT8608 is shut down and draws 1 μ A from the input. When the EN/UV pin is above 1.05V, the switching regulator becomes active.

To optimize efficiency at light loads, the LT8608 enters Burst Mode operation during light load situations. Between bursts, all circuitry associated with controlling the output

switch is shut down, reducing the input supply current to 1.7 μ A. In a typical application, 2.5 μ A will be consumed from the input supply when regulating with no load. The SYNC pin is tied low to use Burst Mode operation and can be floated to use pulse-skipping mode. If a clock is applied to the SYNC pin the part will synchronize to an external clock frequency and operate in pulse-skipping mode. While in pulse-skipping mode the oscillator operates continuously and positive SW transitions are aligned to the clock. During light loads, switch pulses are skipped to regulate the output and the quiescent current will be several mA. The SYNC pin may be tied high for spread spectrum modulation mode, and the LT8608 will operate similar to pulse-skipping mode but vary the clock frequency to reduce EMI. The LT8608 DFN has no SYNC pin and will always operate in Burst Mode operation. The LT8608B DFN has no SYNC pin and will always operate in pulse-skipping mode.

Comparators monitoring the FB pin voltage will pull the PG pin low if the output voltage varies more than $\pm 8.5\%$ (typical) from the set point, or if a fault condition is present.

The oscillator reduces the LT8608's operating frequency when the voltage at the FB pin is low. This frequency foldback helps to control the inductor current when the output voltage is lower than the programmed value which occurs during start-up. When a clock is applied to the SYNC pin the frequency foldback is disabled.

APPLICATIONS INFORMATION

Achieving Ultralow Quiescent Current

To enhance efficiency at light loads, the LT8608 enters into low ripple Burst Mode operation, which keeps the output capacitor charged to the desired output voltage while minimizing the input quiescent current and minimizing output voltage ripple. In Burst Mode operation the LT8608 delivers single small pulses of current to the output capacitor followed by sleep periods where the output power is supplied by the output capacitor. While in sleep mode the LT8608 consumes 1.7 μ A.

As the output load decreases, the frequency of single current pulses decreases (see Figure 1) and the percentage of time the LT8608 is in sleep mode increases, resulting in much higher light load efficiency than for typical converters. By maximizing the time between pulses, the converter quiescent current approaches 2.5 μ A for a typical application when there is no output load. Therefore, to optimize the quiescent current performance at light loads, the current in the feedback resistor divider must be minimized as it appears to the output as load current.

APPLICATIONS INFORMATION

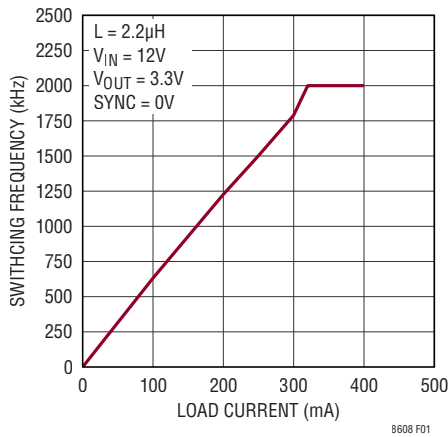


Figure 1. SW Burst Mode Frequency vs Load

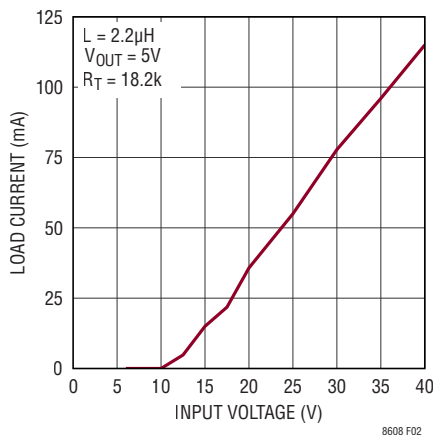


Figure 2. Full Switching Frequency Minimum Load vs V_{IN} in Pulse Skipping Mode (MSOP Only)

While in Burst Mode operation the current limit of the top switch is approximately 550mA resulting in output voltage ripple shown in Figure 3 and Figure 4. Increasing the output capacitance will decrease the output ripple proportionally. As load ramps upward from zero the switching frequency will increase but only up to the switching frequency programmed by the resistor at the RT pin as shown in Figure 1. The output load at which the LT8608 reaches the programmed frequency varies based on input voltage, output voltage, and inductor choice.

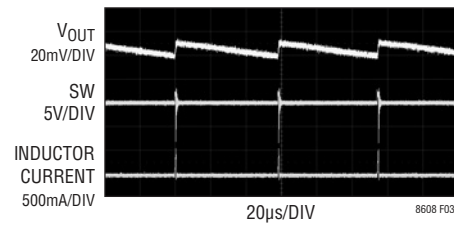


Figure 3. Burst Mode Operation

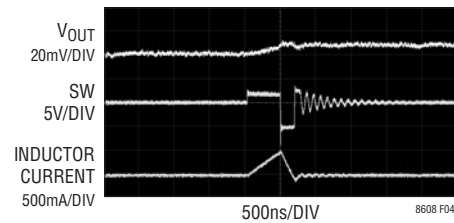


Figure 4. Burst Mode Operation (Zoomed In)

For some applications it is desirable for the LT8608 to operate in pulse-skipping mode, offering two major differences from Burst Mode operation. First is the clock stays awake at all times and all switching cycles are aligned to the clock. In this mode much of the internal circuitry is awake at all times, increasing quiescent current to several hundred μA . Second is that full switching frequency is reached at lower output load than in Burst Mode operation as shown in Figure 2. To enable pulse-skipping mode the SYNC pin is floated. To achieve spread spectrum modulation with pulse-skipping mode, the SYNC pin is tied high. While a clock is applied to the SYNC pin the LT8608 will also operate in pulse-skipping mode. The LT8608 DFN is programmed for Burst Mode operation and can not enter pulse-skipping mode. The LT8608B DFN is programmed for pulse-skipping and cannot enter Burst Mode operation.

APPLICATIONS INFORMATION

FB Resistor Network

The output voltage is programmed with a resistor divider between the output and the FB pin. Choose the resistor values according to:

$$R1 = R2 \left(\frac{V_{OUT}}{0.778V} - 1 \right)$$

1% resistors are recommended to maintain output voltage accuracy.

The total resistance of the FB resistor divider should be selected to be as large as possible when good low load efficiency is desired. The resistor divider generates a small load on the output, which should be minimized to optimize the quiescent current at low loads.

When using large FB resistors, a 10pF phase lead capacitor should be connected from V_{OUT} to FB.

Setting the Switching Frequency

The LT8608 uses a constant frequency PWM architecture that can be programmed to switch from 200kHz to 2.2MHz by using a resistor tied from the RT pin to ground. A table showing the necessary R_T value for a desired switching frequency is in Table 1. When in spread spectrum modulation mode, the frequency is modulated upwards of the frequency set by R_T .

Table 1. SW Frequency vs RT Value

| f_{SW} (MHz) | R_T (k Ω) |
|----------------|---------------------|
| 0.2 | 221 |
| 0.300 | 143 |
| 0.400 | 110 |
| 0.500 | 86.6 |
| 0.600 | 71.5 |
| 0.700 | 60.4 |
| 0.800 | 52.3 |
| 0.900 | 46.4 |
| 1.000 | 40.2 |
| 1.200 | 33.2 |
| 1.400 | 27.4 |
| 1.600 | 23.7 |
| 1.800 | 20.5 |
| 2.000 | 18.2 |
| 2.200 | 16.2 |

Operating Frequency Selection and Trade-Offs

Selection of the operating frequency is a trade-off between efficiency, component size, and input voltage range. The advantage of high frequency operation is that smaller inductor and capacitor values may be used. The disadvantages are lower efficiency and a smaller input voltage range.

The highest switching frequency ($f_{SW(MAX)}$) for a given application can be calculated as follows:

$$f_{SW(MAX)} = \frac{V_{OUT} + V_{SW(BOT)}}{t_{ON(MIN)} (V_{IN} - V_{SW(TOP)} + V_{SW(BOT)})}$$

where V_{IN} is the typical input voltage, V_{OUT} is the output voltage, $V_{SW(TOP)}$ and $V_{SW(BOT)}$ are the internal switch drops (~0.55V, ~0.35V, respectively at max load) and $t_{ON(MIN)}$ is the minimum top switch on-time (see Electrical Characteristics). This equation shows that slower switching frequency is necessary to accommodate a high V_{IN}/V_{OUT} ratio.

For transient operation V_{IN} may go as high as the Abs Max rating regardless of the R_T value, however the LT8608 will reduce switching frequency as necessary to maintain control of inductor current to assure safe operation.

The LT8608 is capable of maximum duty cycle approaching 100%, and the V_{IN} to V_{OUT} dropout is limited by the $R_{DS(ON)}$ of the top switch. In this mode the LT8608 skips switch cycles, resulting in a lower switching frequency than programmed by R_T .

For applications that cannot allow deviation from the programmed switching frequency at low V_{IN}/V_{OUT} ratios use the following formula to set switching frequency:

$$V_{IN(MIN)} = \frac{V_{OUT} + V_{SW(BOT)}}{1 - f_{SW} \cdot t_{OFF(MIN)}} - V_{SW(BOT)} + V_{SW(TOP)}$$

where $V_{IN(MIN)}$ is the minimum input voltage without skipped cycles, V_{OUT} is the output voltage, $V_{SW(TOP)}$ and $V_{SW(BOT)}$ are the internal switch drops (~0.55V, ~0.35V, respectively at max load), f_{SW} is the switching frequency (set by R_T), and $t_{OFF(MIN)}$ is the minimum switch off-time. Note that higher switching frequency will increase the minimum input voltage below which cycles will be dropped to achieve higher duty cycle.

APPLICATIONS INFORMATION

Inductor Selection and Maximum Output Current

The LT8608 is designed to minimize solution size by allowing the inductor to be chosen based on the output load requirements of the application. During overload or short circuit conditions the LT8608 safely tolerates operation with a saturated inductor through the use of a high speed peak-current mode architecture.

A good first choice for the inductor value is:

$$L = \frac{V_{OUT} + V_{SW(BOT)}}{f_{SW}}$$

where f_{SW} is the switching frequency in MHz, V_{OUT} is the output voltage, $V_{SW(BOT)}$ is the bottom switch drop (~0.35V) and L is the inductor value in μ H.

To avoid overheating and poor efficiency, an inductor must be chosen with an RMS current rating that is greater than the maximum expected output load of the application. In addition, the saturation current (typically labeled I_{SAT}) rating of the inductor must be higher than the load current plus 1/2 of in inductor ripple current:

$$I_{L(PEAK)} = I_{LOAD(MAX)} + \frac{1}{2} \Delta I_L$$

where ΔI_L is the inductor ripple current as calculated several paragraphs below and $I_{LOAD(MAX)}$ is the maximum output load for a given application.

As a quick example, an application requiring 0.5A output should use an inductor with an RMS rating of greater than 0.5A and an I_{SAT} of greater than 0.8A. To keep the efficiency high, the series resistance (DCR) should be less than 0.04Ω , and the core material should be intended for high frequency applications.

The LT8608 limits the peak switch current in order to protect the switches and the system from overload faults. The top switch current limit (I_{LIM}) is at least 2.1A at low duty cycles and decreases linearly to 1.55A at $D = 0.8$. The inductor value must then be sufficient to supply the desired maximum output current ($I_{OUT(MAX)}$), which is a function of the switch current limit (I_{LIM}) and the ripple current:

$$I_{OUT(MAX)} = I_{LIM} - \frac{\Delta I_L}{2}$$

The peak-to-peak ripple current in the inductor can be calculated as follows:

$$\Delta I_L = \frac{V_{OUT}}{L \cdot f_{SW}} \left(1 - \frac{V_{OUT}}{V_{IN(MAX)}} \right)$$

where f_{SW} is the switching frequency of the LT8608, and L is the value of the inductor. Therefore, the maximum output current that the LT8608 will deliver depends on the switch current limit, the inductor value, and the input and output voltages. The inductor value may have to be increased if the inductor ripple current does not allow sufficient maximum output current ($I_{OUT(MAX)}$) given the switching frequency, and maximum input voltage used in the desired application.

For more information about maximum output current and discontinuous operation, see Analog Device's Application Note 44.

Finally, for duty cycles greater than 50% ($V_{OUT}/V_{IN} > 0.5$), a minimum inductance is required to avoid sub-harmonic oscillation. See Application Note 19.

Input Capacitor

Bypass the input of the LT8608 circuit with a ceramic capacitor of X7R or X5R type. Y5V types have poor performance over temperature and applied voltage, and should not be used. A 4.7μ F to 10μ F ceramic capacitor is adequate to bypass the LT8608 and will easily handle the ripple current. Note that larger input capacitance is required when a lower switching frequency is used. If the input power source has high impedance, or there is significant inductance due to long wires or cables, additional bulk capacitance may be necessary. This can be provided with a low performance electrolytic capacitor.

Step-down regulators draw current from the input supply in pulses with very fast rise and fall times. The input capacitor is required to reduce the resulting voltage ripple at the LT8608 and to force this very high frequency switching current into a tight local loop, minimizing EMI. A 4.7μ F capacitor is capable of this task, but only if it is placed close to the LT8608 (see the PCB Layout section). A second precaution regarding the ceramic input capacitor concerns the maximum input voltage rating of the LT8608.

APPLICATIONS INFORMATION

A ceramic input capacitor combined with trace or cable inductance forms a high quality (under damped) tank circuit. If the LT8608 circuit is plugged into a live supply, the input voltage can ring to twice its nominal value, possibly exceeding the LT8608's voltage rating. This situation is easily avoided (see Analog Devices Application Note 88).

Output Capacitor and Output Ripple

The output capacitor has two essential functions. Along with the inductor, it filters the square wave generated by the LT8608 to produce the DC output. In this role it determines the output ripple, thus low impedance at the switching frequency is important. The second function is to store energy in order to satisfy transient loads and stabilize the LT8608's control loop. Ceramic capacitors have very low equivalent series resistance (ESR) and provide the best ripple performance. A good starting value is:

$$C_{OUT} = \frac{100}{V_{OUT} \cdot f_{SW}}$$

where f_{SW} is in MHz, and C_{OUT} is the recommended output capacitance in μF . Use X5R or X7R types. This choice will provide low output ripple and good transient response. Transient performance can be improved with a higher value output capacitor and the addition of a feedforward capacitor placed between V_{OUT} and FB. Increasing the output capacitance will also decrease the output voltage ripple. A lower value of output capacitor can be used to save space and cost but transient performance will suffer and may cause loop instability. See the Typical Applications in this data sheet for suggested capacitor values.

When choosing a capacitor, special attention should be given to the data sheet to calculate the effective capacitance under the relevant operating conditions of voltage bias and temperature. A physically larger capacitor or one with a higher voltage rating may be required.

Ceramic Capacitors

Ceramic capacitors are small, robust and have very low ESR. However, ceramic capacitors can cause problems when used with the LT8608 due to their piezoelectric nature. When in Burst Mode operation, the LT8608's switching frequency depends on the load current, and at very light

loads the LT8608 can excite the ceramic capacitor at audio frequencies, generating audible noise. Since the LT8608 operates at a lower current limit during Burst Mode operation, the noise is typically very quiet to a casual ear. If this is unacceptable, use a high performance tantalum or electrolytic capacitor at the output.

A final precaution regarding ceramic capacitors concerns the maximum input voltage rating of the LT8608. As previously mentioned, a ceramic input capacitor combined with trace or cable inductance forms a high quality (under damped) tank circuit. If the LT8608 circuit is plugged into a live supply, the input voltage can ring to twice its nominal value, possibly exceeding the LT8608's rating. This situation is easily avoided (see Analog Devices Application Note 88).

Enable Pin

The LT8608 is in shutdown when the EN pin is low and active when the pin is high. The rising threshold of the EN comparator is 1.05V, with 50mV of hysteresis. The EN pin can be tied to V_{IN} if the shutdown feature is not used, or tied to a logic level if shutdown control is required.

Adding a resistor divider from V_{IN} to EN programs the LT8608 to regulate the output only when V_{IN} is above a desired voltage (see Block Diagram). Typically, this threshold, $V_{IN(EN)}$, is used in situations where the input supply is current limited, or has a relatively high source resistance. A switching regulator draws constant power from the source, so source current increases as source voltage drops. This looks like a negative resistance load to the source and can cause the source to current limit or latch low under low source voltage conditions. The $V_{IN(EN)}$ threshold prevents the regulator from operating at source voltages where the problems might occur. This threshold can be adjusted by setting the values R3 and R4 such that they satisfy the following equation:

$$V_{IN(EN)} = \left(\frac{R3}{R4} + 1 \right) \cdot 1V$$

where the LT8608 will remain off until V_{IN} is above $V_{IN(EN)}$. Due to the comparator's hysteresis, switching will not stop until the input falls slightly below $V_{IN(EN)}$.

APPLICATIONS INFORMATION

When in Burst Mode operation for light-load currents, the current through the $V_{IN(EN)}$ resistor network can easily be greater than the supply current consumed by the LT8608. Therefore, the $V_{IN(EN)}$ resistors should be large to minimize their effect on efficiency at low loads.

INTV_{CC} Regulator

An internal low dropout (LDO) regulator produces the 3.5V supply from V_{IN} that powers the drivers and the internal bias circuitry. The INTV_{CC} can supply enough current for the LT8608's circuitry and must be bypassed to ground with a minimum of 1 μ F ceramic capacitor. Good bypassing is necessary to supply the high transient currents required by the power MOSFET gate drivers. Applications with high input voltage and high switching frequency will increase die temperature because of the higher power dissipation across the LDO. Do not connect an external load to the INTV_{CC} pin.

Output Voltage Tracking and Soft-Start (MSOP Only)

The LT8608 allows the user to program its output voltage ramp rate by means of the TR/SS pin. An internal 2 μ A pulls up the TR/SS pin to INTV_{CC}. Putting an external capacitor on TR/SS enables soft-starting the output to prevent current surge on the input supply. During the soft-start ramp the output voltage will proportionally track the TR/SS pin voltage. For output tracking applications, TR/SS can be externally driven by another voltage source. From 0V to 0.778V, the TR/SS voltage will override the internal 0.778V reference input to the error amplifier, thus regulating the FB pin voltage to that of TR/SS pin. When TR/SS is above 0.778V, tracking is disabled and the feedback voltage will regulate to the internal reference voltage.

An active pull-down circuit is connected to the TR/SS pin which will discharge the external soft-start capacitor in the case of fault conditions and restart the ramp when the faults are cleared. Fault conditions that clear the soft-start capacitor are the EN/UV pin transitioning low, V_{IN} voltage falling too low, or thermal shutdown. The LT8608 and LT8608B DFN do not have TR/SS pin or functionality.

Output Power Good

When the LT8608's output voltage is within the $\pm 8.5\%$ window of the regulation point, which is a V_{FB} voltage in the range of 0.716V to 0.849V (typical), the output voltage

is considered good and the open-drain PG pin goes high impedance and is typically pulled high with an external resistor. Otherwise, the internal drain pull-down device will pull the PG pin low. To prevent glitching both the upper and lower thresholds include 0.5% of hysteresis.

The PG pin is also actively pulled low during several fault conditions: EN/UV pin is below 1V, INTV_{CC} has fallen too low, V_{IN} is too low, or thermal shutdown.

Synchronization (MSOP Only)

To select low ripple Burst Mode operation, tie the SYNC pin below 0.4V (this can be ground or a logic low output). To synchronize the LT8608 oscillator to an external frequency connect a square wave (with 20% to 80% duty cycle) to the SYNC pin. The square wave amplitude should have valleys that are below 0.9V and peaks above 2.7V (up to 5V).

The LT8608 will not enter Burst Mode operation at low output loads while synchronized to an external clock, but instead will pulse skip to maintain regulation. The LT8608 may be synchronized over a 200kHz to 2.2MHz range. The R_T resistor should be chosen to set the LT8608 switching frequency equal to or below the lowest synchronization input. For example, if the synchronization signal will be 500kHz and higher, the R_T should be selected for 500kHz. The slope compensation is set by the R_T value, while the minimum slope compensation required to avoid subharmonic oscillations is established by the inductor size, input voltage, and output voltage. Since the synchronization frequency will not change the slopes of the inductor current waveform, if the inductor is large enough to avoid subharmonic oscillations at the frequency set by R_T , then the slope compensation will be sufficient for all synchronization frequencies.

For some applications it is desirable for the LT8608 to operate in pulse-skipping mode, offering two major differences from Burst Mode operation. First is the clock stays awake at all times and all switching cycles are aligned to the clock. Second is that full switching frequency is reached at lower output load than in Burst Mode operation as shown in Figure 2 in an earlier section. These two differences come at the expense of increased quiescent current. To enable pulse-skipping mode the SYNC pin is floated.

APPLICATIONS INFORMATION

For some applications, reduced EMI operation may be desirable, which can be achieved through spread spectrum modulation. This mode operates similar to pulse skipping mode operation, with the key difference that the switching frequency is modulated up and down by a 3kHz triangle wave. The modulation has the frequency set by RT as the low frequency, and modulates up to approximately 20% higher than the frequency set by RT. To enable spread spectrum mode, tie SYNC to INTV_{CC} or drive to a voltage between 3.2V and 5V.

The LT8608 does not operate in forced continuous mode regardless of SYNC signal. The LT8608 DFN is programmed for Burst Mode operation and cannot enter pulse skipping mode. The LT8608B DFN is programmed for pulse-skipping and cannot enter Burst Mode operation.

Shorted and Reversed Input Protection

The LT8608 will tolerate a shorted output. Several features are used for protection during output short-circuit and brownout conditions. The first is the switching frequency will be folded back while the output is lower than the set point to maintain inductor current control. Second, the bottom switch current is monitored such that if inductor current is beyond safe levels switching of the top switch will be delayed until such time as the inductor current falls to safe levels. This allows for tailoring the LT8608 to individual applications and limiting thermal dissipation during short circuit conditions.

Frequency foldback behavior depends on the state of the SYNC pin: If the SYNC pin is low or high, or floated the switching frequency will slow while the output voltage is lower than the programmed level. If the SYNC pin is connected to a clock source, the LT8608 will stay at the programmed frequency without foldback and only slow switching if the inductor current exceeds safe levels.

There is another situation to consider in systems where the output will be held high when the input to the LT8608 is absent. This may occur in battery charging applications or in battery backup systems where a battery or some other supply is diode ORed with the LT8608's output. If the V_{IN} pin is allowed to float and the EN pin is held high (either by a logic signal or because it is tied to V_{IN}), then

the LT8608's internal circuitry will pull its quiescent current through its SW pin. This is acceptable if the system can tolerate several μA in this state. If the EN pin is grounded the SW pin current will drop to near $0.7\mu\text{A}$. However, if the V_{IN} pin is grounded while the output is held high, regardless of EN, parasitic body diodes inside the LT8608 can pull current from the output through the SW pin and the V_{IN} pin. Figure 5 shows a connection of the V_{IN} and EN/UV pins that will allow the LT8608 to run only when the input voltage is present and that protects against a shorted or reversed input.

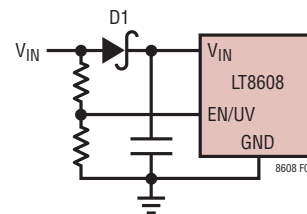


Figure 5. Reverse V_{IN} Protection

PCB Layout

For proper operation and minimum EMI, care must be taken during printed circuit board layout. Figure 7 shows the recommended component placement with trace, ground plane and via locations. Note that large, switched currents flow in the LT8608's V_{IN} pins, GND pins, and the input capacitor (C1). The loop formed by the input capacitor should be as small as possible by placing the capacitor adjacent to the V_{IN} and GND pins. When using a physically large input capacitor the resulting loop may become too large in which case using a small case/value capacitor placed close to the V_{IN} and GND pins plus a larger capacitor further away is preferred. These components, along with the inductor and output capacitor, should be placed on the same side of the circuit board, and their connections should be made on that layer. Place a local, unbroken ground plane under the application circuit on the layer closest to the surface layer. The SW and BOOST nodes should be as small as possible. Finally, keep the FB and RT nodes small so that the ground traces will shield them from the SW and BOOST nodes. The exposed pad on the bottom of the package must be soldered to ground so that the pad is connected to ground electrically and also

APPLICATIONS INFORMATION

acts as a heat sink thermally. To keep thermal resistance low, extend the ground plane as much as possible, and add thermal vias under and near the LT8608 to additional ground planes within the circuit board and on the bottom side.

Figure 7 shows the basic guidelines for a layout example that can pass CISPR25 radiated emission test with class 5 limits.

Thermal Considerations

For higher ambient temperatures, care should be taken in the layout of the PCB to ensure good heat sinking of the LT8608. Figure 7 shows the recommended component placement with trace, ground plane, and via locations. The exposed pad on the bottom of the package must be soldered to a ground plane. This ground should be tied to large copper layers below with thermal vias; these layers will spread heat dissipated by the LT8608. Placing additional vias can reduce thermal resistance further. The maximum load current should be derated as the ambient temperature approaches the maximum junction rating. Power dissipation within the LT8608 can be estimated by calculating the total power loss from an efficiency measurement and subtracting the inductor loss. The die temperature is calculated by multiplying the LT8608 power dissipation by the thermal resistance from junction

to ambient. The LT8608 will stop switching and indicate a fault condition if safe junction temperature is exceeded.

Temperature rise of the LT8608 is worst when operating at high load, high V_{IN} , and high switching frequency. If the case temperature is too high for a given application, then either V_{IN} , switching frequency or load current can be decreased to reduce the temperature to an acceptable level. Figure 6 shows how case temperature rise can be managed by reducing V_{IN} .

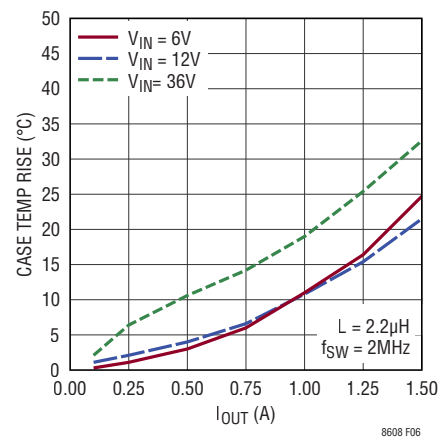


Figure 6. Case Temperature Rise vs Load Current

APPLICATIONS INFORMATION

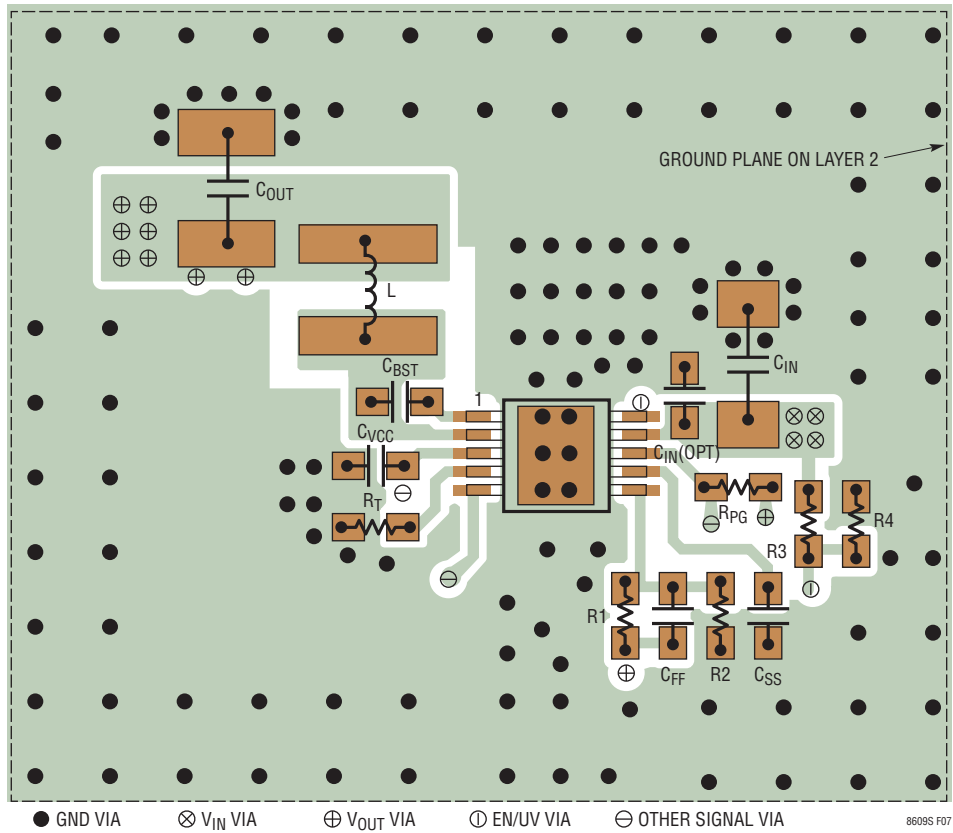
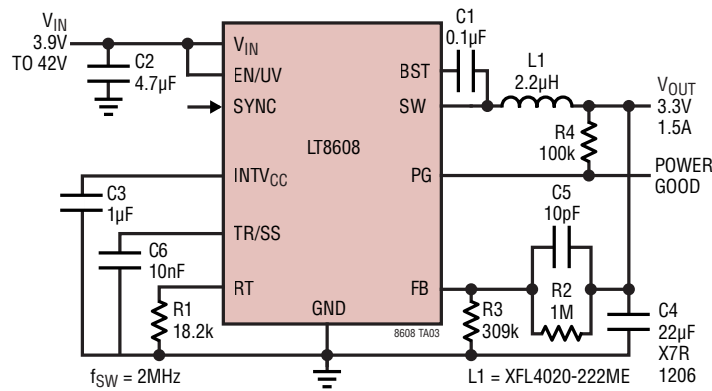


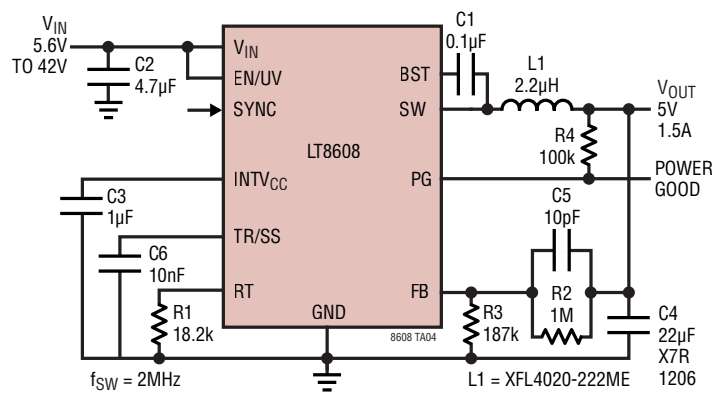
Figure 7. PCB Layout (Not to Scale)

TYPICAL APPLICATIONS

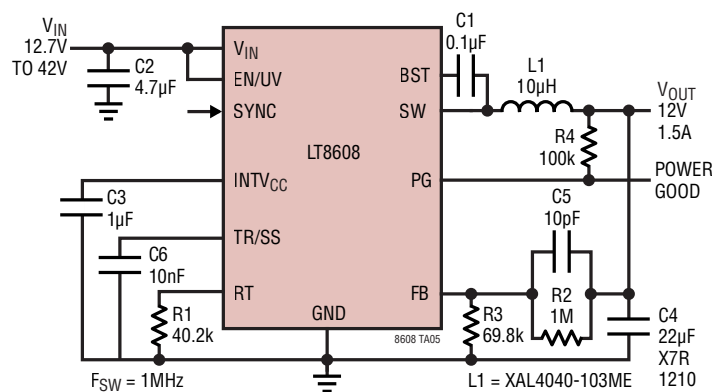
3.3V Step Down



5V Step Down

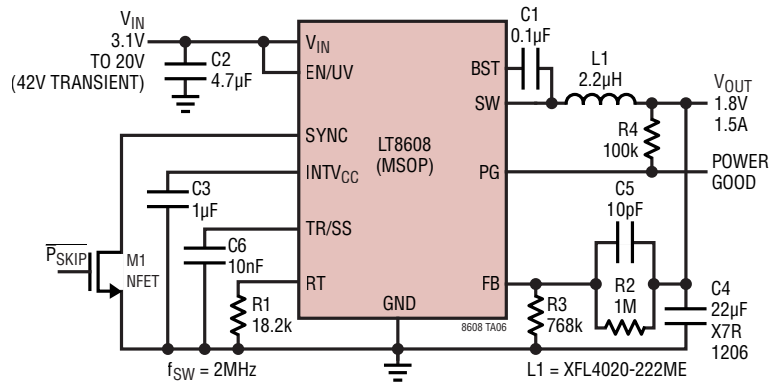


12V Step Down

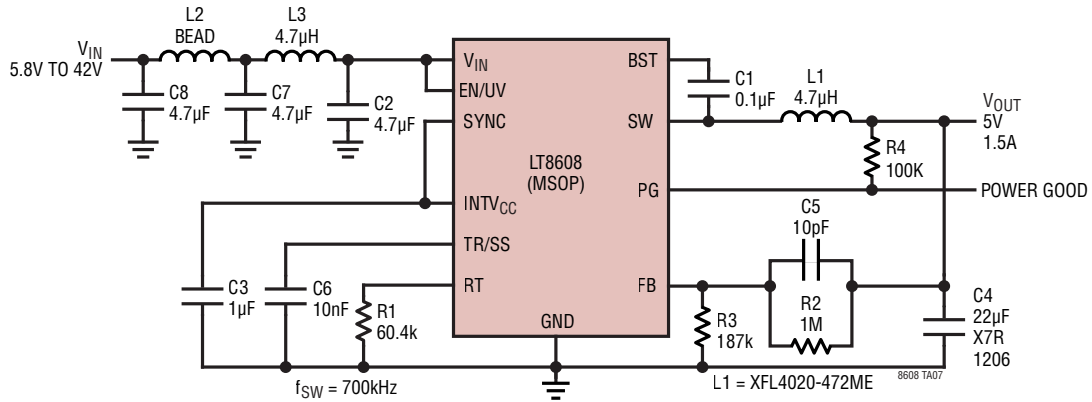


TYPICAL APPLICATIONS

1.8V 2MHz Step-Down Converter



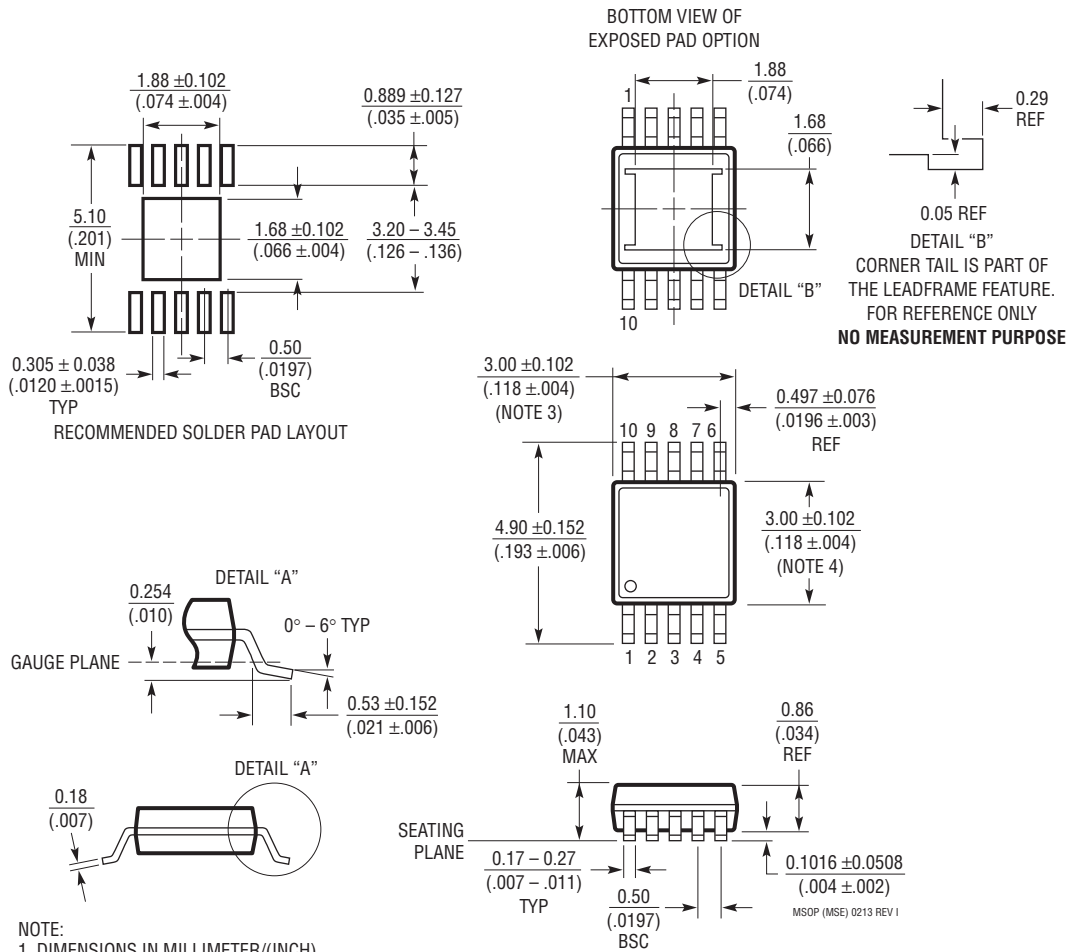
Ultralow EMI 5V 1.5A Step-Down Converter



C2, C4, C7, C8 X7R 1206

PACKAGE DESCRIPTION

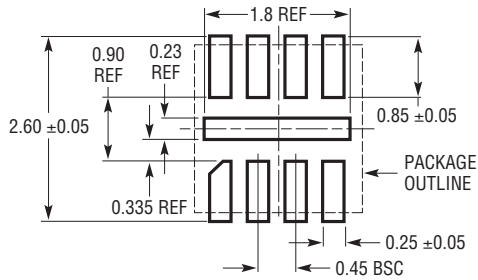
MSE Package
10-Lead Plastic MSOP, Exposed Die Pad
 (Reference LTC DWG # 05-08-1664 Rev I)



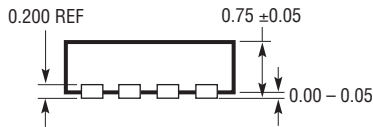
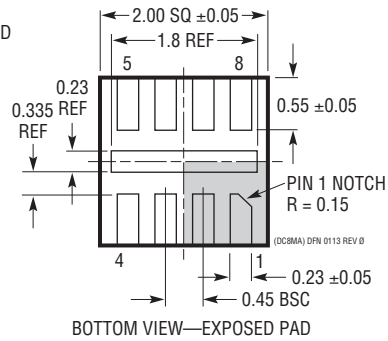
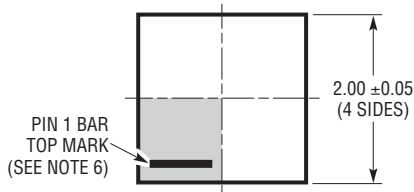
- NOTE:**
1. DIMENSIONS IN MILLIMETER/(INCH)
 2. DRAWING NOT TO SCALE
 3. DIMENSION DOES NOT INCLUDE MOLD FLASH, PROTRUSIONS OR GATE BURRS.
MOLD FLASH, PROTRUSIONS OR GATE BURRS SHALL NOT EXCEED 0.152mm (.006") PER SIDE
 4. DIMENSION DOES NOT INCLUDE INTERLEAD FLASH OR PROTRUSIONS.
INTERLEAD FLASH OR PROTRUSIONS SHALL NOT EXCEED 0.152mm (.006") PER SIDE
 5. LEAD COPLANARITY (BOTTOM OF LEADS AFTER FORMING) SHALL BE 0.102mm (.004") MAX
 6. EXPOSED PAD DIMENSION DOES INCLUDE MOLD FLASH. MOLD FLASH ON E-PAD SHALL NOT EXCEED 0.254mm (.010") PER SIDE.

PACKAGE DESCRIPTION

DC8 Package
8-Lead Plastic DFN (2mm × 2mm)
 (Reference LTC DWG # 05-08-1939 Rev 0)
Exposed Pad Variation AA



RECOMMENDED SOLDER PAD PITCH AND DIMENSIONS
 APPLY SOLDER MASK TO AREAS THAT ARE NOT SOLDERED



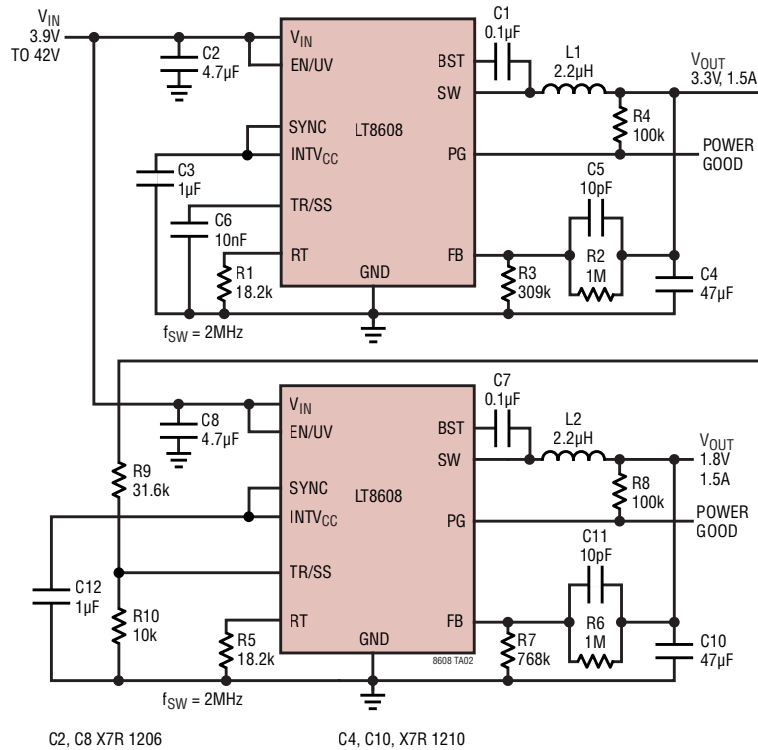
- NOTE:
1. DRAWING IS NOT A JEDEC PACKAGE OUTLINE
 2. DRAWING NOT TO SCALE
 3. ALL DIMENSIONS ARE IN MILLIMETERS
 4. DIMENSIONS OF EXPOSED PAD ON BOTTOM OF PACKAGE DO NOT INCLUDE MOLD FLASH. MOLD FLASH, IF PRESENT, SHALL NOT EXCEED 0.15mm ON ANY SIDE
 5. EXPOSED PAD SHALL BE SOLDER PLATED
 6. SHADED AREA IS ONLY A REFERENCE FOR PIN 1 LOCATION ON THE TOP AND BOTTOM OF PACKAGE

REVISION HISTORY

| REV | DATE | DESCRIPTION | PAGE NUMBER |
|-----|-------|---|--|
| A | 12/16 | Clarified minimum on time to 35ns Clarified condition on feedback voltage line regulation Clarified transient response graphs | 1 2 7 |
| B | 01/18 | Added DFN Package Option Added H-Grade Temperature Options Clarified Graphs for MSOP Package Option Only Clarified Pin Functions for MSOP and DFN Package Options Clarified Operation and Applications Information Section for MSOP and DFN Package Options Added Figure 6 Clarified Typical Applications for MSOP Package Option | 1-3 2 6 8 10-11, 15-17 18 20 |
| C | 05/18 | Added B version Added table to clarify versions Modified text in Description to add DFN functionality Added B version to Order Information Clarified Minimum On-Time Conditions Clarified Efficiency graphs Clarified No-Load Supply Current graphs Clarified Burst Mode Operation vs Output Current graph Clarified Frequency Foldback graph Clarified Pin Functions on SYNC and TR/SS Clarified Operation third and fifth paragraph Clarified last paragraph to include DFN B version and Figure 1 and Figure 3 Clarified Applications Information to include DFN B version | All 1 1 2 3 4 4 5 6 8 10 11 16 |
| D | 03/19 | Corrected TRM Part # in Order Information | 2 |

TYPICAL APPLICATION

3.3V and 1.8V with Ratio Tracking



RELATED PARTS

| PART NUMBER | DESCRIPTION | COMMENTS |
|-------------------------------------|---|--|
| LT8609/ LT8609A | 42V, 2A/3A Peak, 93% Efficiency, 2.2MHz Synchronous MicroPower Step-Down DC/DC Converter with $I_Q = 2.5\mu\text{A}$ | $V_{IN} = 3.2\text{V to } 42\text{V}$, $V_{OUT(MIN)} = 0.8\text{V}$, $I_Q = 2.5\mu\text{A}$, $I_{SD} < 1\mu\text{A}$, MSOP-10E Package |
| LT8610A/ 8610AB | 42V, 3.5A, 96% Efficiency, 2.2MHz Synchronous MicroPower Step-Down DC/DC Converter with $I_Q = 2.5\mu\text{A}$ | $V_{IN} = 3.4\text{V to } 42\text{V}$, $V_{OUT(MIN)} = 0.97\text{V}$, $I_Q = 2.5\mu\text{A}$, $I_{SD} < 1\mu\text{A}$, MSOP-16E Package |
| LT8610AC | 42V, 3.5A, 96% Efficiency, 2.2MHz Synchronous MicroPower Step-Down DC/DC Converter with $I_Q = 2.5\mu\text{A}$ | $V_{IN} = 3\text{V to } 42\text{V}$, $V_{OUT(MIN)} = 0.8\text{V}$, $I_Q = 2.5\mu\text{A}$, $I_{SD} < 1\mu\text{A}$, MSOP-16E Package |
| LT8610 | 42V, 2.5A, 96% Efficiency, 2.2MHz Synchronous MicroPower Step-Down DC/DC Converter with $I_Q = 2.5\mu\text{A}$ | $V_{IN} = 3.4\text{V to } 42\text{V}$, $V_{OUT(MIN)} = 0.97\text{V}$, $I_Q = 2.5\mu\text{A}$, $I_{SD} < 1\mu\text{A}$, MSOP-16E Package |
| LT8611 | 42V, 2.5A, 96% Efficiency, 2.2MHz Synchronous MicroPower Step-Down DC/DC Converter with $I_Q = 2.5\mu\text{A}$ and Input/Output Current Limit/Monitor | $V_{IN} = 3.4\text{V to } 42\text{V}$, $V_{OUT(MIN)} = 0.97\text{V}$, $I_Q = 2.5\mu\text{A}$, $I_{SD} < 1\mu\text{A}$, 3mm x 5mm QFN-24 Package |
| LT8616 | 42V, Dual 2.5A + 1.5A, 95% Efficiency, 2.2MHz Synchronous MicroPower Step-Down DC/DC Converter with $I_Q = 5\mu\text{A}$ | $V_{IN} = 3.4\text{V to } 42\text{V}$, $V_{OUT(MIN)} = 0.8\text{V}$, $I_Q = 5\mu\text{A}$, $I_{SD} < 1\mu\text{A}$, TSSOP-28E, 3mm x 6mm QFN-28 Packages |
| LT8620 | 65V, 2.5A, 96% Efficiency, 2.2MHz Synchronous MicroPower Step-Down DC/DC Converter with $I_Q = 2.5\mu\text{A}$ | $V_{IN} = 3.4\text{V to } 65\text{V}$, $V_{OUT(MIN)} = 0.97\text{V}$, $I_Q = 2.5\mu\text{A}$, $I_{SD} < 1\mu\text{A}$, MSOP-16E, 3mm x 5mm QFN-24 Packages |
| LT8614 | 42V, 4A, 96% Efficiency, 2.2MHz Synchronous MicroPower Step-Down DC/DC Converter with $I_Q = 2.5\mu\text{A}$ | $V_{IN} = 3.4\text{V to } 42\text{V}$, $V_{OUT(MIN)} = 0.97\text{V}$, $I_Q = 2.5\mu\text{A}$, $I_{SD} < 1\mu\text{A}$, 3mm x 4mm QFN-18 Package |
| LT8612 | 42V, 6A, 96% Efficiency, 2.2MHz Synchronous MicroPower Step-Down DC/DC Converter with $I_Q = 2.5\mu\text{A}$ | $V_{IN} = 3.4\text{V to } 42\text{V}$, $V_{OUT(MIN)} = 0.97\text{V}$, $I_Q = 3.0\mu\text{A}$, $I_{SD} < 1\mu\text{A}$, 3mm x 6mm QFN-28 Package |
| LT8640 | 42V, 5A/7A Peak, 96% Efficiency, 3MHz Synchronous MicroPower Step-Down DC/DC Converter with $I_Q = 2.5\mu\text{A}$ | $V_{IN} = 3.4\text{V to } 42\text{V}$, $V_{OUT(MIN)} = 0.97\text{V}$, $I_Q = 2.5\mu\text{A}$, $I_{SD} < 1\mu\text{A}$, 3mm x 4mm QFN-18 Package |
| LT8602 | 42V, Quad Output (2.5A+1.5A+1.5A+1.5A) 95% Efficiency, 2.2MHz Synchronous MicroPower Step-Down DC/DC Converter with $I_Q = 25\mu\text{A}$ | $V_{IN} = 3\text{V to } 42\text{V}$, $V_{OUT(MIN)} = 0.8\text{V}$, $I_Q = 25\mu\text{A}$, $I_{SD} < 1\mu\text{A}$, 6mm x 6mm QFN-40 Package |

Rev. D