

All information is subject to change without notice. Please read bottom notes.**FEATURES**

- (1) 15.0 XGA color display with High Luminance
- (2) Built in Long Life Lamps(MTTF:50,000 h)
(Condition/ T_a :25°C, I_{FL} :6mA(rms)(continuing lighting), f_{FL} :50kHz)
- (3) Replaceable structure of lamp

TENTATIVE**RoHS compatible****MECHANICAL SPECIFICATIONS**

Item	Specifications
Dimensional Outline (typ.)	348.0 (W) x 254.7 (H) x 14.0 (D) mm Mounting hole(W) : 340.0 mm
Number of Pixels	1024 (W) x 768 (H) pixels
Active Area	304.128(W) x 228.096(H) mm
Pixel Pitch	0.297 (W) x 0.297 (H)
Weight (approximately)	1300g
Backlight	Sidelight (4 CCFLs)

ABSOLUTE MAXIMUM RATINGS

Item	Min.	Max.	Unit	
Supply Voltage	(V_{DD})	-0.3	4.0	V
	(V_{FL})	0	2.0	kV(rms)
FL Driving Frequency	(f_{FL})	---	100	KHz
Input Signal Voltage	(V_{IN})	-0.3	$V_{DD}+0.3$	V
Operating Temperature *1		-10	70	°C
Storage Temperature		-20	80	°C
Storage Humidity (Max. wet bulb temperature = 39°C)		10	90	%(RH)

*1: Wet bulb temperature should be 39°C Max., and no condensation of water.

ELECTRICAL SPECIFICATION ($T_a=25^\circ\text{C}$) (RECOMMENDED OPERATION CONDITION)

Item	Min.	Typ.	Max.	Unit	Remarks	
Supply Voltage	(V_{DD})	3.0	3.3	3.6	V	
	(V_{FL})	---	(650)	---	V(rms)	$I_{FL}=6.0\text{mA(rms)}$
FL Start Voltage	(V_{SFL})	(1500)	---	(1900)	V(rms)	$T_a=-10^\circ\text{C}$
Differential Input Voltage	(V_{ID})	0.1	---	0.6	V	
Common Mode Input Voltage	(V_{CM})	1.1	---	$2.4-(V_{ID})/2$	V	
High Level Input Voltage	(V_{IH})	2.2	---	3.3	V	
Low Level Input Voltage	(V_{IL})	V_{SS}	---	0.7	V	
Current Consumption	(I_{DD}) ^{*3}	---	460	---	mA	
	(I_{FL}) ^{*4}	4.0	6.0	6.5	mA(rms)	
Power Consumption ^{*1 *2}	---	(17.1)	---	W	$I_{FL}=6.0\text{mA(rms)}$	

*2: The surface temperature caused by self heat radiation of cell itself is specified on this item.

*3: 8 color bars pattern *4: Except the efficiency of FL inverter

OPTICAL SPECIFICATION ($T_a=25^\circ\text{C}$)

Item	Min.	Typ.	Max.	Unit	Remarks
Contrast Ratio	(CR)	---	450	---	
Viewing Angle (CR ≥ 10)	(Upper+Lower)	---	120	---	°
	(Left+Right)	---	160	---	°
Response Time	($t_{ON}+t_{OFF}$)	---	16	---	ms
Luminance	(L)	350	450	---	cd/m ² $I_{FL}=6.0\text{mA(rms)}$
Lamp Life Time (MTBF) ^{*5 *6}		50,000			h

*5 : Conditions ; $T_a=25^\circ\text{C}$, $I_{FL}=6.0\text{mA(rms)}$, continuous lighting

*6 : Definitions of failure ; 1) Lcd luminance becomes half of the minimum value. 2) Lamp doesn't light normally.

*The information contained herein is presented only as a guide for the applications of our products. No responsibility is assumed by Toshiba Matsushita Display Technology or other rights of the third parties which may result from its use. No license is granted by implication or otherwise under any patent or patent rights of Toshiba Matsushita Display Technology or others.

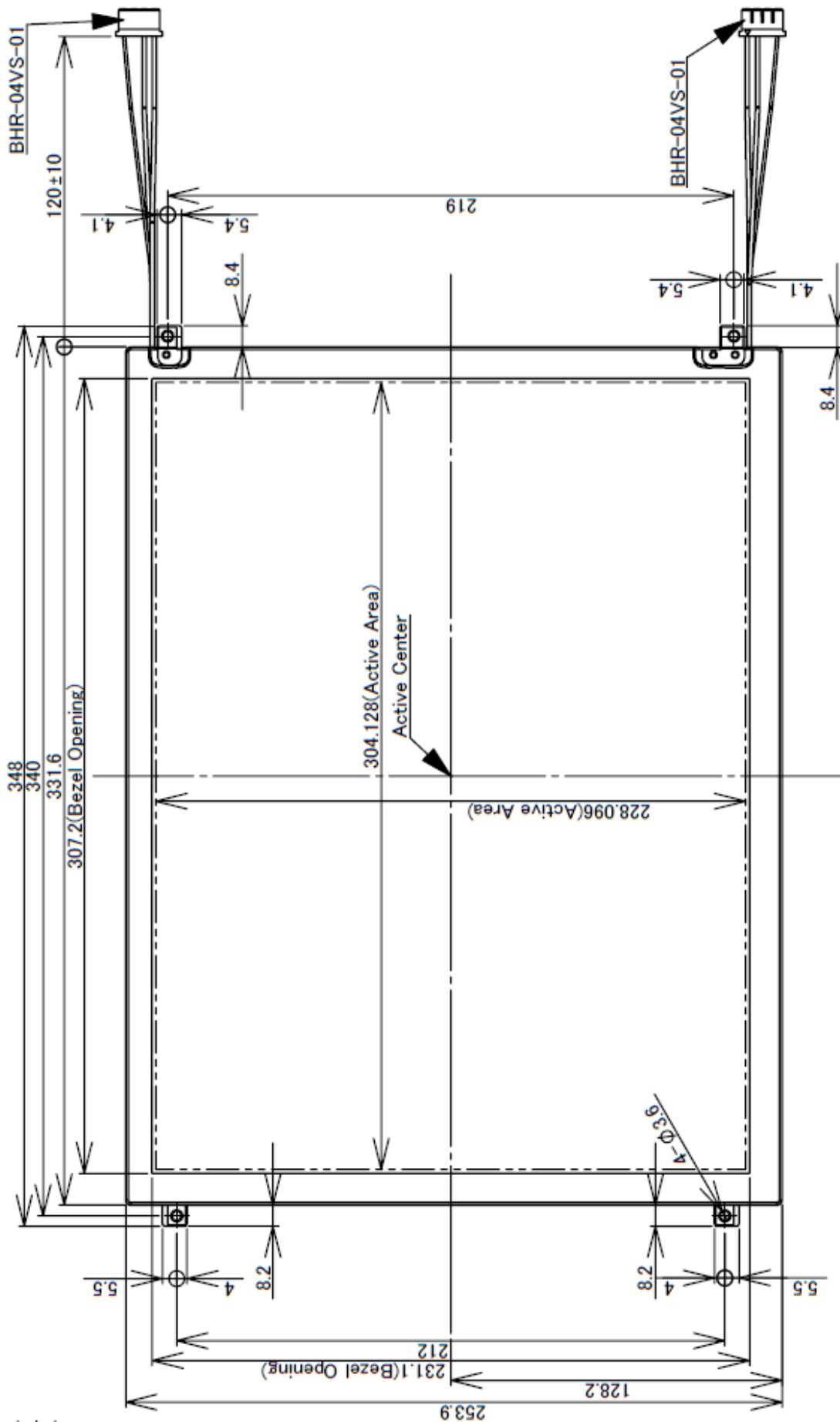
*The information contained herein may be changed without prior notice. It is therefore advisable to contact Toshiba Matsushita Display Technology before proceeding with the design of equipment incorporating this product.

DIMENSIONAL OUTLINE

TENTATIVE

Unit : mm

Standard tolerance : 0.5

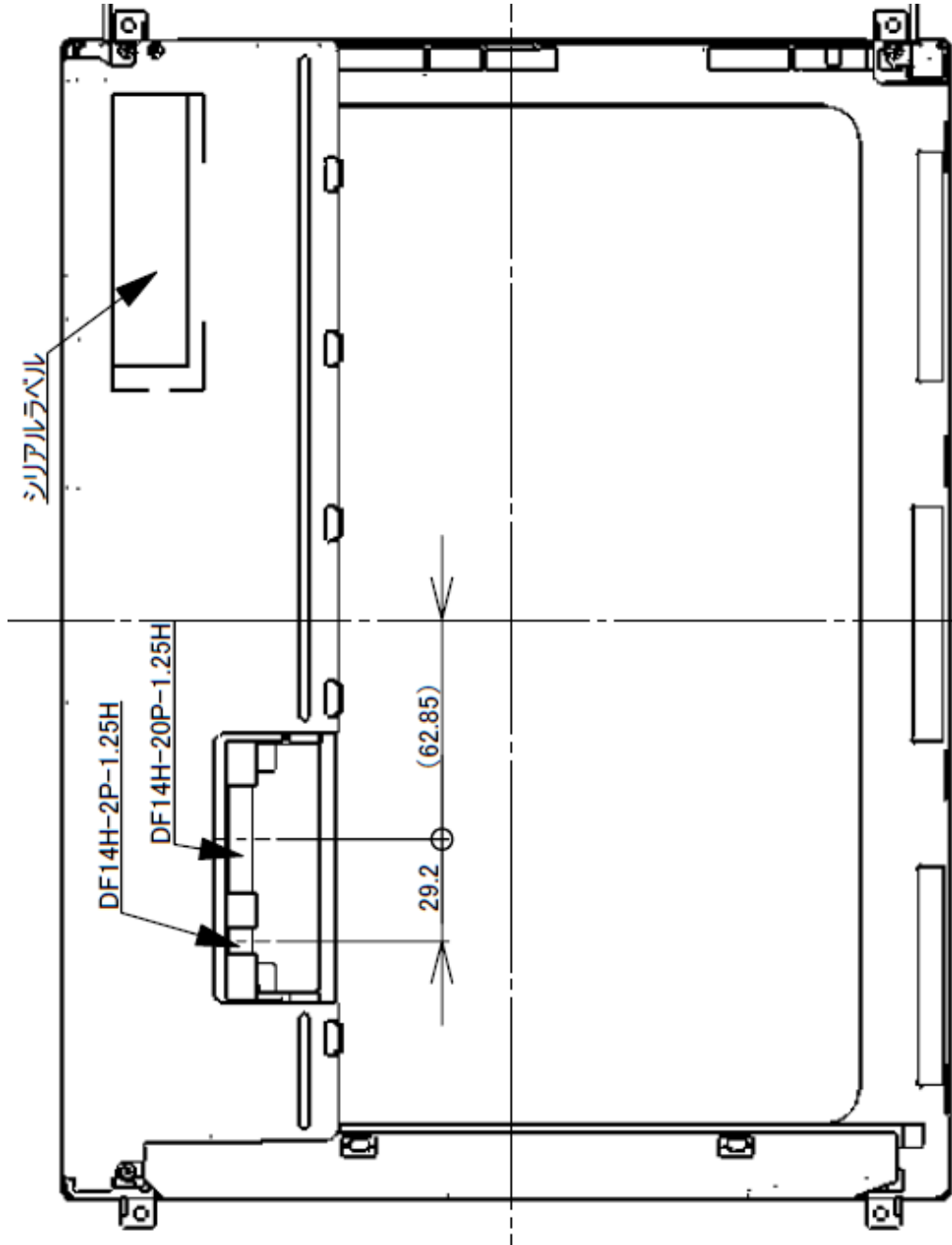


DIMENSIONAL OUTLINE

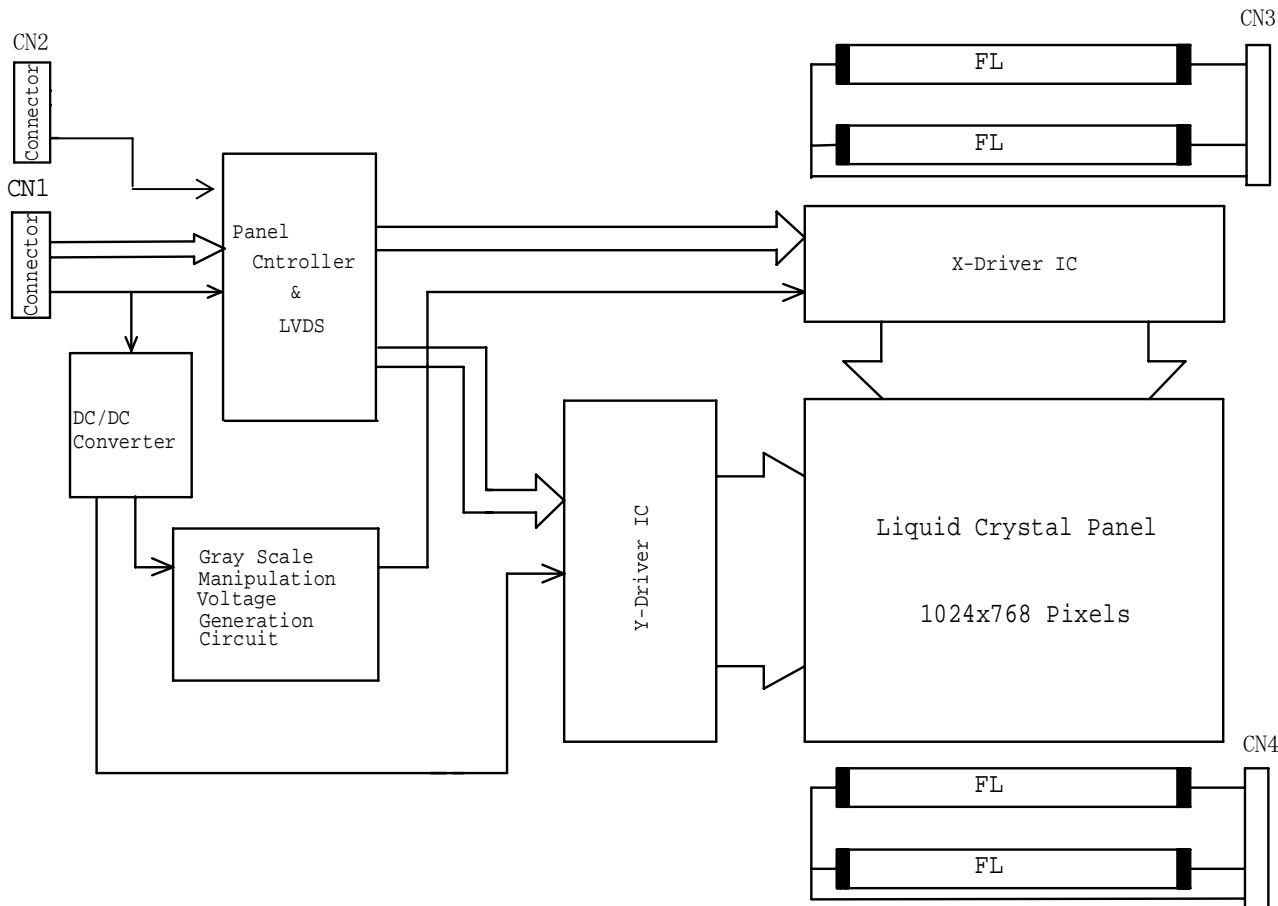
TENTATIVE

Unit : mm

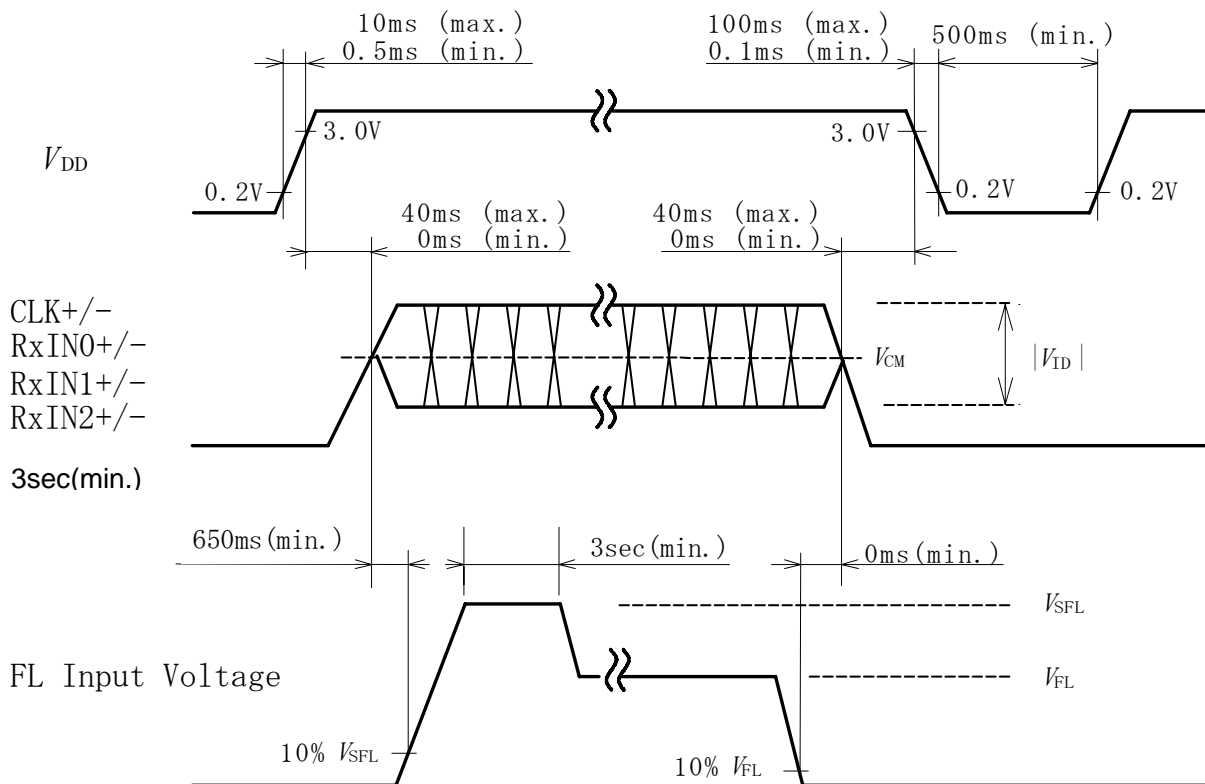
Standard tolerance : 0.5



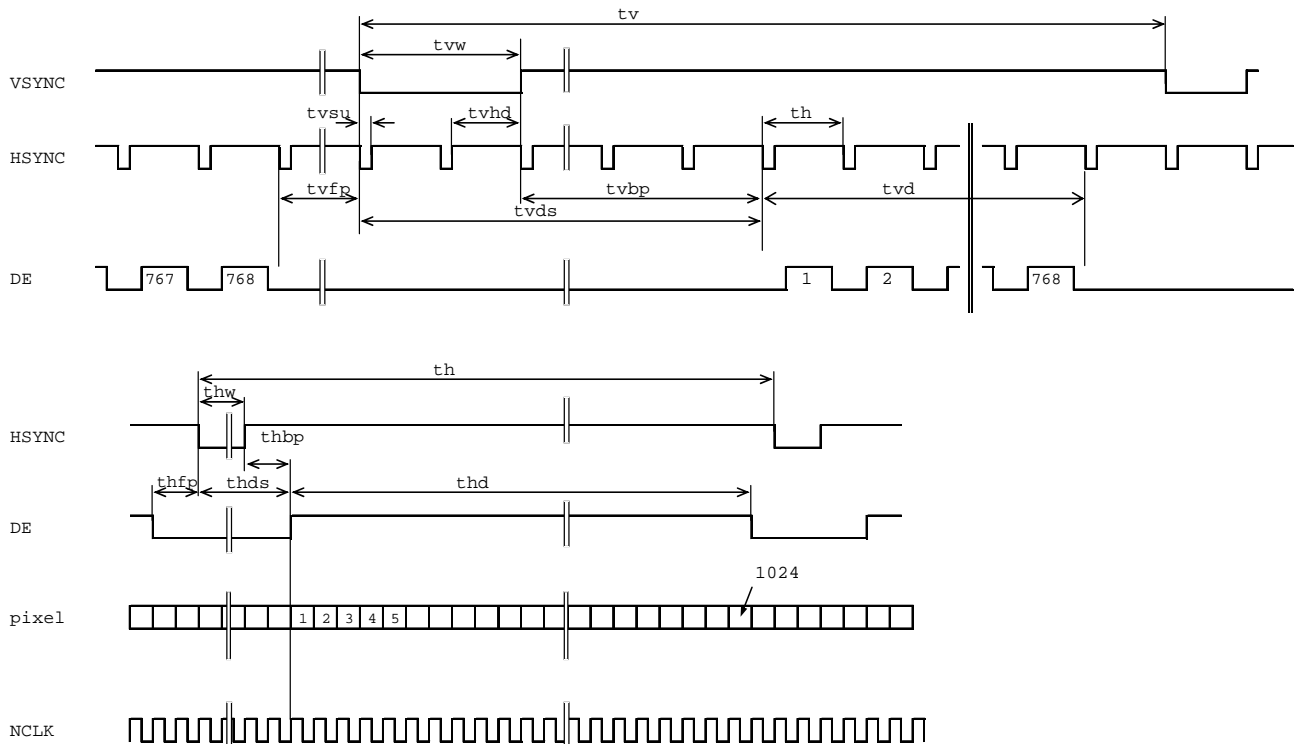
BLOCK DIAGRAM



SEQUENCE OF POWER SUPPLIES AND SIGNALS



TIMING CHART



TIMING SPECIFICATION

Item	Symbol	min.	typ.	max.	unit
Horizontal Period	th	1180	1344	1687	(clock)
Horizontal Frequency	f_{th}	47.4	48.363	60.8	kHz
H-Sync Pulse Width	thw	8	136	-	(clock)
Horizontal Front Porch	$thfp$	2	24	-	(clock)
Horizontal Back Porch	$thbp$	6	160	-	(clock)
Horizontal Data Sync Period	$thds$	14	296	-	(clock)
Horizontal Display Term	thd	1024	1024	1024	(clock)
Frame Period	tv	790	806	810	(line)
Vertical Frequency	f_{tv}	50.0	60.0	65.0	Hz
V-Sync Pulse Width	tvw	2	6	-	(line)
V-Sync Set up Time	$tvsu$	8	-	-	(clock)
V-Sync Hold Time	$tvhd$	($thbp+16$)	-	-	(clock)
Vertical Front Porch	$tvfp$	2	3	-	(line)
Vertical Back Porch	$tvbp$	6	29	-	(line)
Vertical Data Sync Period	$tvds$	8	35	-	(line)
Vertical Display Term	tvd	768	768	768	(line)
Clock Period	tc	14.286	15.385	15.748	ns
Clock Frequency	f_{tc}	63.5	65.0	70	MHz

Note 1) Refer to "Timing Chart" and LVDS(THC63LVDM83R) specifications by THine Electronics, Inc.

Note 2) If NCLK is fixed to "H" or "L" level for certain period while DE is supplied, the panel may be damaged.

Note 3) If DE is fixed to "H" or "L" level for certain period while NCLK is supplied, the panel displays black with some flicker.

Note 4) Please adjust LCD operating signal timing and FL driving frequency, to optimize the display quality.

There is a possibility that flicker is observed by the interference of LCD operating signal timing and FL driving condition (especially driving frequency), even if the condition satisfies above timing specifications.

Note 5) Do not make tv , th and $tvds$ fluctuate.

Note 6) In case of using the long frame period, the deterioration of display quality, noise etc. may be occurred.

Note 7) NCLK count of each Horizontal Scanning Time should be always the same.

V-Blanking period should be " n " X "Horizontal Scanning Time". (n : integer)

Frame period should be always the same.

CONNECTOR PIN ASSIGNMENT FOR INTERFACE**CN1 INPUT SIGNAL**

Connector: DF14H-20P-1.25H(56) / HIROSE ELECTRIC CO., LTD.

Mating Connector: DF14-20S-1.25C(Socket), DF14-2628SCFA(Contact) / HIROSE ELECTRIC CO., LTD.

Terminal No.	Symbol	Function
1	VDD	Power Supply : +3.3V
2	VDD	Power Supply : +3.3V
3	VSS	GND
4	VSS	GND
5	RxIN0-	Negative LVDS differential data input 0(-)
6	RxIN0+	Positive LVDS differential data input 0(+)
7	VSS	GND
8	RxIN1-	Negative LVDS differential data input 1(-)
9	RxIN1+	Positive LVDS differential data input 1(+)
10	VSS	GND
11	RxIN2-	Negative LVDS differential data input 2(-)
12	RxIN2+	Positive LVDS differential data input 2(+)
13	VSS	GND
14	CLK-	Clock Signal(-)
15	CLK+	Clock Signal(+)
16	VSS	GND
17	RxIN3-	Negative LVDS differential data input 3(-)
18	RxIN3+	Positive LVDS differential data input 3(+)
19	SELLVDS	LVDS Mapping Select ²⁾
20	NC	Non connect

Note 1) Please connect GND pin to ground. Don't use it as no-connect nor connection with high impedance.

Note 2) Please refer page7&8

CN2 INPUT SIGNAL

Connector: DF14H-2P-1.25H(56) / HIROSE ELECTRIC CO., LTD.

Mating Connector: DF14-2S-1.25C(Socket), DF14-2628SCFA(Contact) / HIROSE ELECTRIC CO., LTD.

Terminal No.	Symbol	Function
1	UD/RL1	Select reverse scan
2	UD/RL2	Select reverse scan

Note) Normal scan condition: UD/RL1 and UD/RL2 open. Or UD/RL1 open and UD/RL2 input signal "Low".

Reverse scan condition: Short between UD/RL1 and UD/RL2. Or UD/RL1 open and UD/RL2 input signal "High"

CN3,4 CCFL POWER SOURCE

Connector: BHR-04VS-1 / JAPAN SOLDERLESS TERMINAL MFG CO., LTD.

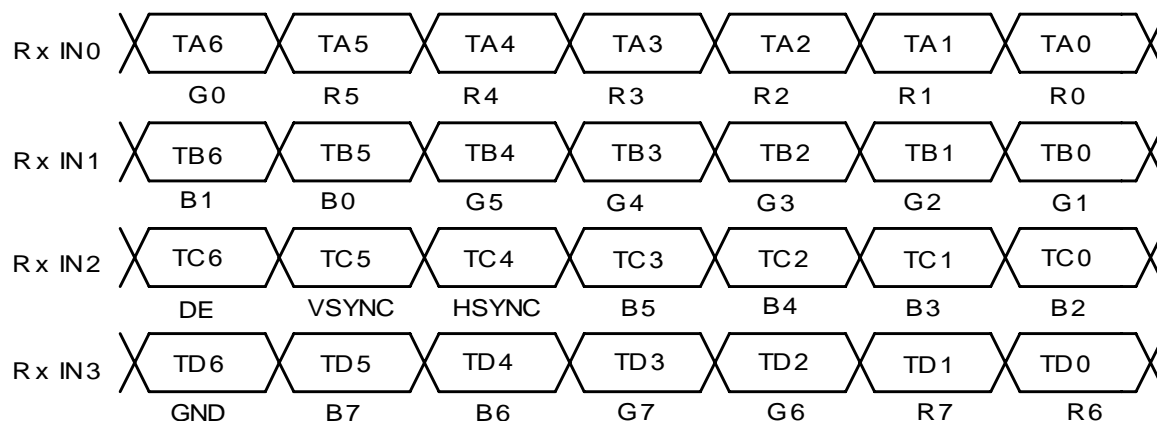
Mating Connector: SM03(7-D1)B-BHS-1N-TB(LF) / JAPAN SOLDERLESS TERMINAL MFG CO., LTD.

Terminal No.	Symbol	Function
1	VFLH1	CCFL Power Supply (high voltage)
2	VFLH2	CCFL Power Supply (high voltage)
3	NC	----
4	VFLL	CCFL Power Supply (low voltage)

**RECOMMENDED TRANSMITTER (THC63LVDM83R by THine Electronics, Inc.)
TO LTA150B851 INTERFACE ASSIGNMENT**

Case1; CN1 No.19pin : "Low"

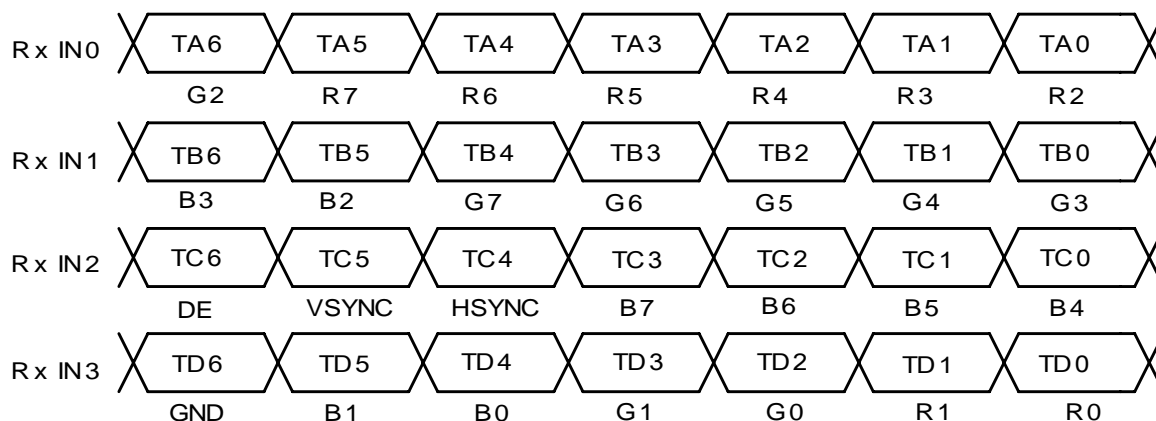
THC63LVDM83R				LTA150B85xF Interface (CN1)		
Input Terminal No.		Input Signal (Graphics controller output signal)		Output Signal Symbol		
Symbol	Terminal	Symbol	Function		Terminal	Symbol
TA0	51	R0	Red Pixels Display Data (LSB)	TA- TA+	No.5 No.6	RxIN0- RxIN0+
TA1	52	R1	Red Pixels Display Data			
TA2	54	R2	Red Pixels Display Data			
TA3	55	R3	Red Pixels Display Data			
TA4	56	R4	Red Pixels Display Data			
TA5	3	R5	Red Pixels Display Data			
TA6	4	G0	Green Pixels Display Data (LSB)			
TB0	6	G1	Green Pixels Display Data	TB- TB+	No.8 No.9	RxIN1- RxIN1+
TB1	7	G2	Green Pixels Display Data			
TB2	11	G3	Green Pixels Display Data			
TB3	12	G4	Green Pixels Display Data			
TB4	14	G5	Green Pixels Display Data			
TB5	15	B0	Blue Pixels Display Data (LSB)			
TB6	19	B1	Blue Pixels Display Data			
TC0	20	B2	Blue Pixels Display Data	TC- TC+	No.11 No.12	RxIN2- RxIN2+
TC1	22	B3	Blue Pixels Display Data			
TC2	23	B4	Blue Pixels Display Data			
TC3	24	B5	Blue Pixels Display Data			
TC4	27	HSYNC	Horizontal Synchronization Signal			
TC5	28	VSYNC	Vertical Synchronization Signal			
TC6	30	DE	Compound Synchronization Signal			
TD0	50	R6	Red Pixels Display Data	TD- TD+	No.17 No.18	RxIN3- RxIN3+
TD1	2	R7	Red Pixels Display Data (MSB)			
TD2	8	G6	Green Pixels Display Data			
TD3	10	G7	Green Pixels Display Data (MSB)			
TD4	16	B6	Blue Pixels Display Data			
TD5	18	B7	Blue Pixels Display Data (MSB)			
TD6	25	GND	GND			
CLK IN	31	CLK	Data Sampling Clock	TCLK- TCLK+	No.14 No.15	CLK- CLK+



**RECOMMENDED TRANSMITTER (THC63LVDM83R by THine Electronics, Inc.)
TO LTA150B851F INTERFACE ASSIGNMENT**

Case2; CN1 No.19 pin : "Open" or "High"

THC63LVDM83R				LTA150B85xF Interface (CN1)		
Input Terminal No.		Input Signal (Graphics controller output signal)		Output Signal Symbol	Terminal	Symbol
Symbol	Terminal	Symbol	Function			
TA0	51	R2	Red Pixels Display Data	TA- TA+	No.5 No.6	RxIN0- RxIN0+
TA1	52	R3	Red Pixels Display Data			
TA2	54	R4	Red Pixels Display Data			
TA3	55	R5	Red Pixels Display Data			
TA4	56	R6	Red Pixels Display Data			
TA5	3	R7	Red Pixels Display Data (MSB)			
TA6	4	G2	Green Pixels Display Data			
TB0	6	G3	Green Pixels Display Data	TB- TB+	No.8 No.9	RxIN1- RxIN1+
TB1	7	G4	Green Pixels Display Data			
TB2	11	G5	Green Pixels Display Data			
TB3	12	G6	Green Pixels Display Data			
TB4	14	G7	Green Pixels Display Data (MSB)			
TB5	15	B2	Blue Pixels Display Data			
TB6	19	B3	Blue Pixels Display Data			
TC0	20	B4	Blue Pixels Display Data	TC- TC+	No.11 No.12	RxIN2- RxIN2+
TC1	22	B5	Blue Pixels Display Data			
TC2	23	B6	Blue Pixels Display Data			
TC3	24	B7	Blue Pixels Display Data (MSB)			
TC4	27	HSYNC	Horizontal Synchronization Signal			
TC5	28	VSYNC	Vertical Synchronization Signal			
TC6	30	DE	Compound Synchronization Signal			
TD0	50	R0	Red Pixels Display Data (LSB)	TD- TD+	No.17 No.18	RxIN3- RxIN3+
TD1	2	R1	Red Pixels Display Data			
TD2	8	G0	Green Pixels Display Data (LSB)			
TD3	10	G1	Green Pixels Display Data			
TD4	16	B0	Blue Pixels Display Data (LSB)			
TD5	18	B1	Blue Pixels Display Data			
TD6	25	GND	GND			
CLK IN	31	CLK	Data Sampling Clock	TCLK- TCLK+	No.14 No.15	CLK- CLK+



256k (k=1024) COLORS COMBINATION TABLE

	Display	R7 R6 R5 R4 R3 R2 R1 R0	G7 G6 G5 G4 G3 G2 G1 G0	B7 B6 B5 B4 B3 B2 B1 B0	Gray Scale Level
Basic Color	Black	L L L L L L L L	L L L L L L L L	L L L L L L L L	L 0
	Blue	L L L L L L L L	L L L L L L L L	H H H H H H H H	---
	Green	L L L L L L L L	H H H H H H H H	L L L L L L L L	---
	Light Blue	L L L L L L L L	H H H H H H H H	H H H H H H H H	---
	Red	H H H H H H H H	L L L L L L L L	L L L L L L L L	---
	Purple	H H H H H H H H	L L L L L L L L	H H H H H H H H	---
	Yellow	H H H H H H H H	H H H H H H H H	L L L L L L L L	---
	White	H H H H H H H H	H H H H H H H H	H H H H H H H H	L255
Gray Scale of Red	Black	L L L L L L L L	L L L L L L L L	L L L L L L L L	L 0
	Dark ↑ ↓ Light	L L L L L L L H	L L L L L L L L	L L L L L L L L	L 1
		L L L L L L H L	L L L L L L L L	L L L L L L L L	L 2
		L L L L L L H H	L L L L L L L L	L L L L L L L L	L 3
		L L L L L H L L	L L L L L L L L	L L L L L L L L	L 4
		:	:	:	L5... L252
		:	:	:	
	H H H H H H L H	L L L L L L L L	L L L L L L L L	L253	
	H H H H H H H L	L L L L L L L L	L L L L L L L L	L254	
	Red	H H H H H H H H	L L L L L L L L	L L L L L L L L	Red L255
Gray Scale of Green	Black	L L L L L L L L	L L L L L L L L	L L L L L L L L	L 0
	Dark ↑ ↓ Light	L L L L L L L L	L L L L L L L H	L L L L L L L L	L 1
		L L L L L L L L	L L L L L L L H	L L L L L L L L	L 2
		L L L L L L L L	L L L L L L L H	L L L L L L L L	L 3
		L L L L L L L L	L L L L L H L L	L L L L L L L L	L 4
		:	:	:	L5... L252
		:	:	:	
	L L L L L L L L	H H H H H H L H	L L L L L L L L	L253	
	L L L L L L L L	H H H H H H H L	L L L L L L L L	L254	
	Green	L L L L L L L L	H H H H H H H H	L L L L L L L L	Green L255
Gray Scale of Blue	Black	L L L L L L L L	L L L L L L L L	L L L L L L L L	L 0
	Dark ↑ ↓ Light	L L L L L L L L	L L L L L L L L	L L L L L L L H	L 1
		L L L L L L L L	L L L L L L L L	L L L L L L H L	L 2
		L L L L L L L L	L L L L L L L L	L L L L L L H H	L 3
		L L L L L L L L	L L L L L L L L	L L L L L H L L	L 4
		:	:	:	L5... L252
		:	:	:	
	L L L L L L L L	L L L L L L L L	H H H H H H L H	L243	
	L L L L L L L L	L L L L L L L L	H H H H H H H L	L254	
	Blue	L L L L L L L L	L L L L L L L L	H H H H H H H H	Blue L255
Gray Scale of White & Black	Black	L L L L L L L L	L L L L L L L L	L L L L L L L L	L 0
	Dark ↑ ↓ Light	L L L L L L L H	L L L L L L L H	L L L L L L L H	L 1
		L L L L L L H L	L L L L L L H L	L L L L L L H L	L 2
		L L L L L L H H	L L L L L L H H	L L L L L L H H	L 3
		L L L L L H L L	L L L L L H L L	L L L L L H L L	L 4
		:	:	:	L5... L252
		:	:	:	
	H H H H H H L H	H H H H H H L H	H H H H H H L H	L253	
	H H H H H H H L	H H H H H H H L	H H H H H H H L	L254	
	White	H H H H H H H H	H H H H H H H H	H H H H H H H H	White L255

**FOR SAFETY**

LCD module is generally designed with precise parts to achieve light weighted thin mechanical dimensions.

In using our Modules, make certain that you fully understand and put into practice the warnings and safety precautions detailed in Engineering Information No.EE-N001,"CAUTIONS AND INSTRUCTIONS FOR TOSHIBA LCD MODULES".

Refer to individual specifications and TECHNICAL DATA sheets (hereinafter called "TD") for more detailed technical information.

1) SPECIAL PURPOSES

A) Toshiba Matsushita Display Technology's Standard LCD Modules have not been customized for operation in extreme environments or for use in applications where performance failures could be life-threatening or otherwise catastrophic.

B) Since Toshiba Matsushita Display Technology's Standard LCD Modules have not been designed for operation in extreme environments, they must never be used in devices that will be exposed to abnormally high levels of vibration or shock which exceed Toshiba Matsushita Display Technology's published specification limits.

C) In addition, since Toshiba Matsushita Display Technology Standard LCD Modules have not been designed for use in applications where performance failures could be life-threatening or catastrophic, they must never be installed in aircraft navigation control systems (such as, but not limited to Traffic Collision Avoidance System and Air Traffic Indicator), in military defense or weapons systems, in critical industrial process-control systems (e.g., those involved in the production of nuclear energy), or in critical medical device or patient life-support systems.

2) DISASSEMBLING OR MODIFICATION

DO NOT DISASSEMBLE OR MODIFY the module. It may damage sensitive parts inside LCD module, and may cause scratches or dust on the display.

Toshiba Matsushita Display Technology does not warrant the module, if customer disassembled or modified it.

3) BREAKAGE OF LCD PANEL

DO NOT INGEST liquid crystal material, DO NOT INHALE this material, and DO NOT CONTACT the material with skin, if LCD panel is broken and liquid crystal material spills out.

If liquid crystal material comes into mouth or eyes, rinse mouth or eyes out with water immediately.

If this material contact with skin or cloths, wash it off immediately with alcohol and rinse thoroughly with water.

4) GLASS OF LCD PANEL

BE CAREFUL WITH CHIPS OF GLASS that may cause injuring fingers or skin, when the glass is broken.

5) ELECTRIC SHOCK

DISCONNECT POWER SUPPLY before handling LCD module.

DO NOT TOUCH the parts inside LCD module and the fluorescent lamp's connector or cables in order to prevent electric shock, because high voltage is supplied to these parts from the inverter unit while power supply is turned on.

6) ABSOLUTE MAXIMUM RATINGS AND POWER PROTECTION CIRCUIT

DO NOT EXCEED the absolute maximum rating values under the worst probable conditions caused by the supply voltage variation, input voltage variation, variation in parts' constants, environmental temperature, etc., otherwise LCD module may be damaged.

Employ protection circuit for power supply, whenever the specification or TD specifies it.

Suitable protection circuit should be applied for each system design.

7) RECOMMENDED OPERATION CONDITIONS

The performance and quality of the LCD panel are warranted only when the LCD panel is used within "the recommended operation conditions". Toshiba Matsushita Display Technology Co., Ltd. never warrants the performance and quality of the LCD panel when you use the LCD panel over "the recommended operation conditions", although within "the absolute maximum rating".

To use the LCD panel over "the recommended operation conditions" may have bad influence on the characteristics and reliability of the LCD panel and may shorten the life of the LCD panel.

Therefore, when designing the whole set, not to be over "the recommended operation conditions", you should fully take care of supply voltage change, characteristic of connection parts, surge of input-and-output line, and surrounding temperature.

8) DISPOSAL

When dispose LCD module, obey to the applicable environmental regulations.