

**Samsung Secret**

Product Information

Customer : GA**DATE : 16. Apr. 2010****SAMSUNG TFT-LCD****MODEL : LTA320AP18**

The Information Described in this Specification is Preliminary and can be changed without prior notice

NOTE :

LCD Business

Samsung Electronics Co . , LTD.

MODEL**LTA320AP18****Doc. No****06- 000- S- 100416****Page****1 / 25**

Contents**Samsung Secret**

General Description	(3)
General Information	(3)
1. Absolute Maximum Ratings	(4)
2. Optical Characteristics	(5)
3. Electrical Characteristics	(8)
3.1 TFT LCD Module	
3.2 Back Light Unit	
3.3 Inverter Input & Specification	
4. Input Terminal Pin Assignment	(11)
4.1 Input Signal & Power	
4.2 Inverter Input Pin Configuration	
4.3 Inverter Input Power Sequence	
4.4 LVDS Interface	
4.5 Input Signals, Basic Display Colors and Gray Scale of Each Color	
5. Interface Timing	(16)
5.1 Timing Parameters (DE only mode)	
5.2 Spread Spectrum	
5.3 LVDS Input Data Position	
5.4 Timing diagrams of interface signal	
5.5 Power ON/OFF Sequence	
6. Outline Dimension	(19)
7. Packing	(21)
8. Marking & Others	(22)
9. General Precaution	(23)
9.1 Handling	
9.2 Storage	
9.3 Operation	
9.4 Operation Condition Guide	
9.5 Others	

MODEL**LTA320AP18****Doc. No****06- 000- S- 100416****Page****2 / 25**

General Description

Samsung Secret

Description

LTA320AP18 is a color active matrix liquid crystal display (LCD) that uses amorphous silicon TFT(Thin Film Transistor) as switching components. This model is composed of a TFT LCD panel, a driver circuit and a back light unit. The resolution of a 32.0" is 1366 x 768 and this model can display up to 16.7 million colors with wide viewing angle of 89° or higher in all directions. This panel is intended to support applications to provide a excellent performance for Flat Panel Display such as Home-alone Multimedia TFT-LCD TV and High Definition TV.

Features

- RoHS compliance (Pb-free)
- High contrast & aperture ratio with wide color gamut
- APVA(Advanced Patterned Vertical Align) mode
- Wide viewing angle ($\pm 178^\circ$)
- High speed response
- HD resolution (16:9)
- Low Power consumption
- Edge Type LED (Light Emitted Diode) BLU
- DE (Data Enable) mode
- LVDS (Low Voltage Differential Signaling) interface (1pixel/clock)

General Information

Items	Specification	Unit	Note
Module Size	741.4(H _{TYP}) x 435.8(V _{TYP})	mm	± 1.0 mm
	11.8(D _{MAX}), 36.9(Wall Mount Stud)		
Weight	6,400	g	Max
Pixel Pitch	0.51075(H) x 0.51075(V)	mm	
Active Display Area	697.6845(H) x 392.256(V)	mm	
Surface Treatment	Antiglare, Hard-Coating 3H		
Display Colors	8 bit - 16.7M	colors	
Number of Pixels	1366 x 768	pixel	
Pixel Arrangement	RGB Horizontal stripe		
Display Mode	Normally Black		
Luminance of White	400 (Typ.)	cd/m ²	

MODEL

LTA320AP18

Doc. No

06-000-S-100416

Page

3 / 25

Samsung Secret

1. Absolute Maximum Ratings

If the condition exceeds maximum ratings, it can cause malfunction or unrecoverable damage to the device.

Item	Symbol	Min.	Max.	Unit	Note
Power Supply Voltage	V_{DD}	GND-0.5	13.2	V	(1)
Dimming control	Max. Lum	-	5	V	(1)
Storage temperature	T_{STG}	-20	60	°C	(2)
Surface temperature	T_{SUR}	0	60	°C	(3)
Operation temperature	T_{OPR}	0	50	°C	(2)
Shock (non - operating)	S_{nop}	-	50	G	(4)
Vibration (non - operating)	V_{nop}	-	1.5	G	(5)

Note (1) $T_a = 25 \pm 2$ °C

(2) Temperature and relative humidity range are shown in the figure below.

a. 90 % RH Max. ($T_a \leq 39$ °C)

b. Relative Humidity is 90% or less. ($T_a > 39$ °C)

c. No condensation

(3) Although abnormal visual problems can be occurred in T_{sur} range, the polarizer is not damaged in this range.

(4) 11ms, sine wave, one time for $\pm X, \pm Y, \pm Z$ axis

(5) 10-300 Hz, Sweep rate 10min, 30min for X,Y,Z axis

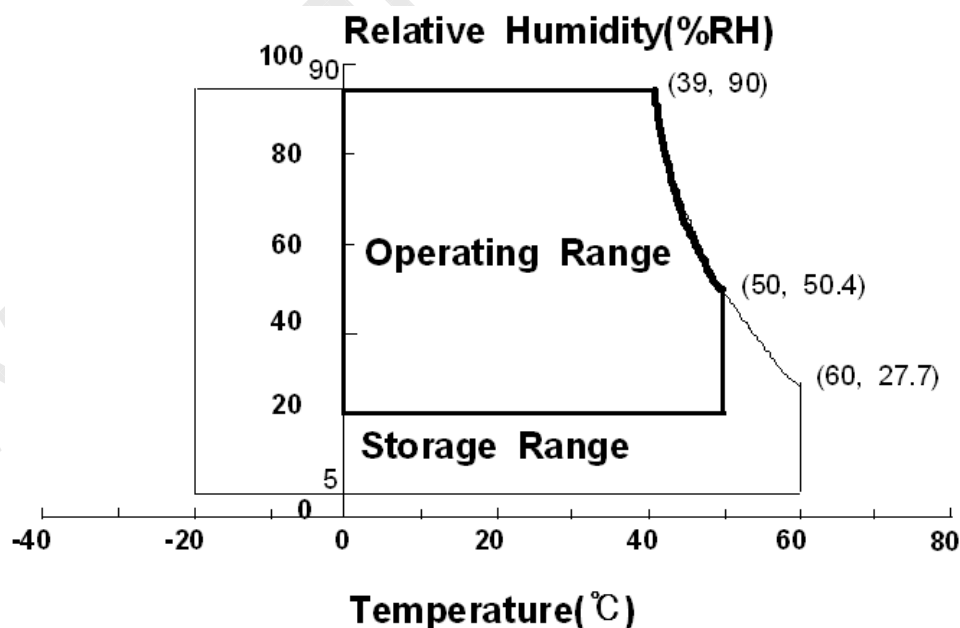


Fig. Temperature and Relative humidity range

MODEL

LTA320AP18

Doc. No

06-000-S-100416

Page

4 / 25

2. Optical Characteristics

Samsung Secret

The optical characteristics should be measured in a dark room or equivalent.

Measuring equipment : TOPCON RD-80S, TOPCON SR-3, ELDIM EZCONTRAST

(Ta = 25 ± 2 °C, VDD=12.0V, fv= 60Hz, f_{DCLK}=78 MHz, Dimming = Max)

Item	Symbol	Condition	Min.	Typ.	Max.	Unit	Note	
Contrast Ratio (Center of screen)	C/R	Normal $\theta_{L,R}=0$ $\theta_{U,D}=0$ Viewing Angle	TBD	TBD	-		(1) SR-3	
Response Time G-to-G	Tg		-	8	-	msec	(3) RD-80S	
Luminance of White (Center of screen)	Y _L		-	400	-	cd/m ²	(4) SR-3	
Color Chromaticity (CIE 1931)	Red		Rx	TYP. -0.03	TBD	TYP. +0.03		(5),(6) SR-3
			Ry		TBD			
	Green		Gx		TBD			
			Gy		TBD			
	Blue		Bx		TBD			
			By		TBD			
	White		Wx		0.280			
		Wy	0.290					
Color Gamut	-	-	70	-	%	(5) SR-3		
Color Temperature	-	-	10,000	-	K	(5) SR-3		
Viewing Angle	Hor.	θ_L	75	89	-	Degree	(6) EZ-Contrast	
		θ_R	75	89	-			
	Ver.	θ_U	75	89	-			
		θ_D	75	89	-			
Brightness Uniformity (9 Points)	B _{uni}		-	-	25	%	(2) SR-3	

- Test Equipment Setup

The measurement should be executed in a stable, windless and dark room between 40min and 60min after lighting the back light at the given temperature for stabilization of the back light. This should be measured in the center of screen.

Environment condition : Ta = 25 ± 2 °C

MODEL

LTA320AP18

Doc. No

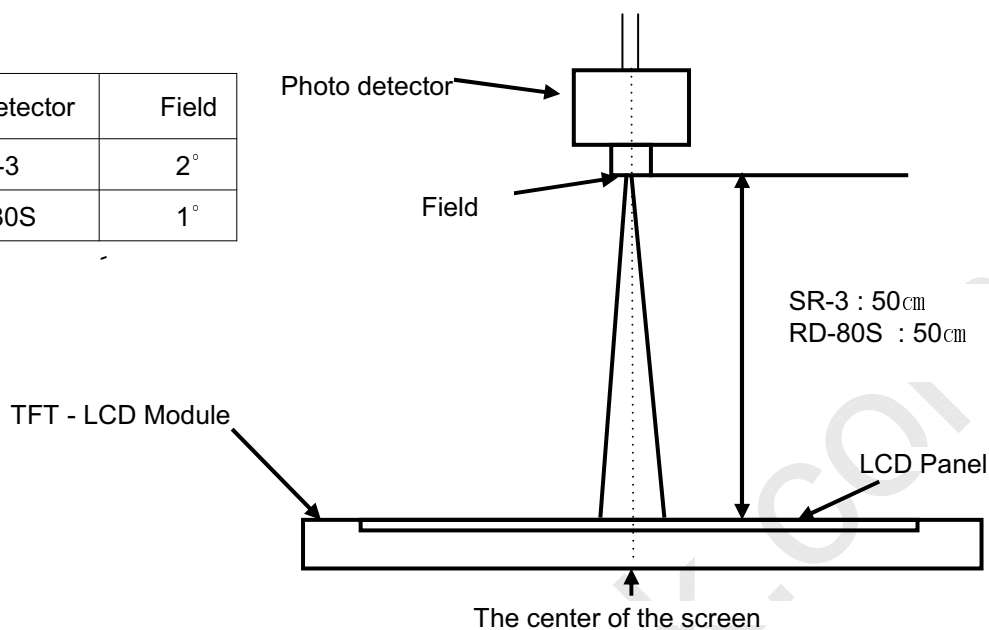
06-000-S-100416

Page

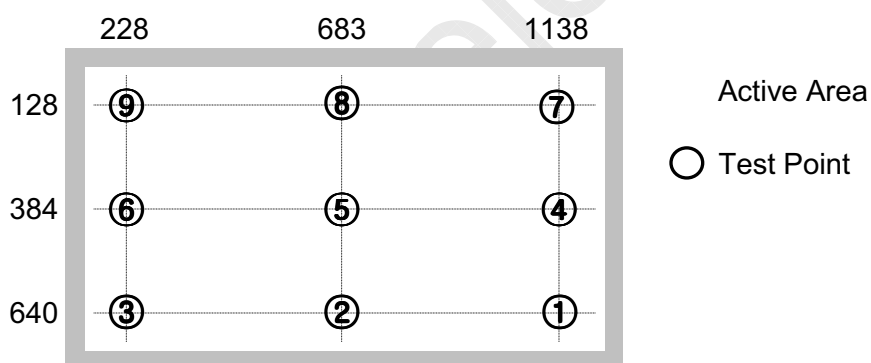
5 / 25

Samsung Secret

Photo detector	Field
SR-3	2°
RD-80S	1°



- Definition of test point



Note (1) Definition of Contrast Ratio (C/R)

: Ratio of gray max (Gmax) & gray min (Gmin) at the center point ⑤ of the panel

$$C/R = \frac{G_{max}}{G_{min}}$$

Gmax : Luminance with all pixels white

Gmin : Luminance with all pixels black

MODEL

LTA320AP18

Doc. No

06- 000- S- 100416

Page

6 / 25

Samsung Secret

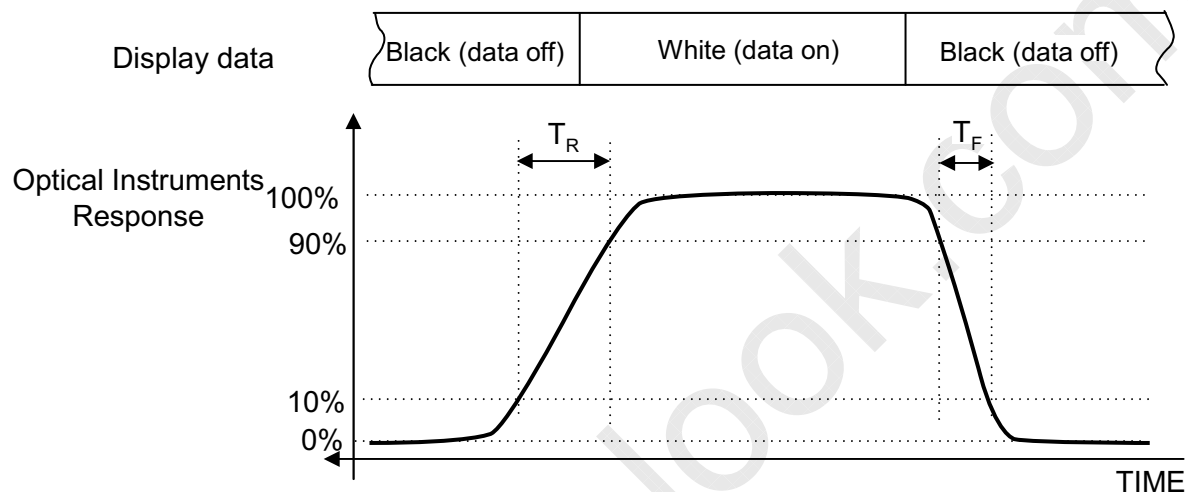
Note (2) Definition of 9 points brightness uniformity (Test Pattern : Full White)

$$B_{uni} = 100 * \frac{(B_{max} - B_{min})}{B_{max}}$$

Bmax : Maximum brightness

Bmin : Minimum brightness

Note (3) Definition of Response time : Sum of Tr, Tf



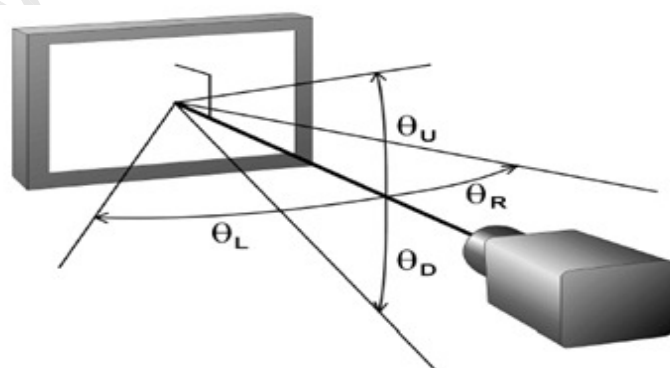
Note (4) Definition of Luminance of White : Luminance of white at center point ⑤

Note (5) Definition of Color Chromaticity (CIE 1931)

Color coordinate of Red, Green, Blue & White at center point ⑤

Note (6) Definition of Viewing Angle

: Viewing angle range (C/R ≥ 10)

**MODEL****LTA320AP18****Doc. No****06- 000- S- 100416****Page****7 / 25**

Samsung Secret

3. Electrical Characteristics

3.1 TFT LCD Module

The connector for display data & timing signal should be connected.

 $T_a = 25^\circ\text{C} \pm 2^\circ\text{C}$

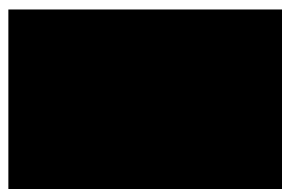
Item	Symbol	Min.	Typ.	Max.	Unit	Note
Voltage of Power Supply	V_{DD}	10.8	12.0	13.2	V	(1)
Current of Power Supply	(a) Black	-	590	-	mA	(2),(3)
	(b) White	-	750	-	mA	
	(c) N-Pattern	-	800	1000	mA	
Vsync Frequency	f_V	48	60	66	Hz	
Hsync Frequency	f_H	44	48	53	kHz	
Main Frequency	f_{DCLK}	72	78	85	MHz	
Rush Current	I_{RUSH}	-	-	4	A	(4)

Note (1) The ripple voltage should be controlled under 10% of V_{DD} .

(2) $f_V=60\text{Hz}$, $f_{DCLK} = 78\text{ MHz}$, $V_{DD} = 12.0\text{V}$, DC Current.

(3) Power dissipation check pattern (LCD Module only)

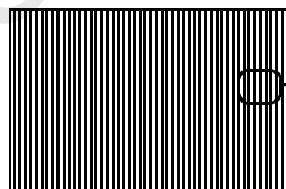
a) Black Pattern



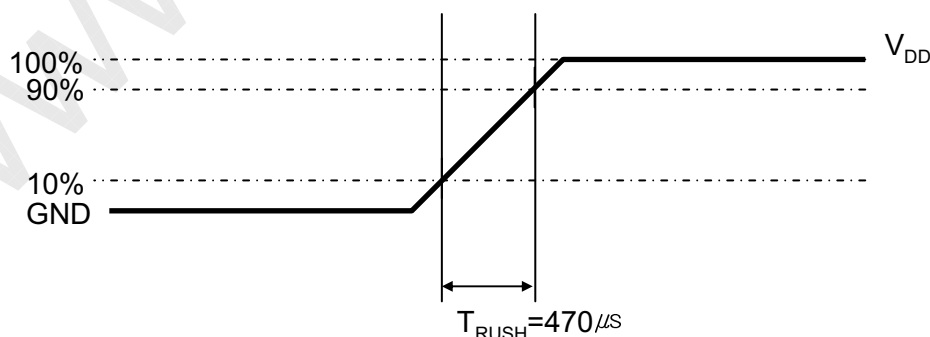
b) White Pattern



c) N-Pattern



(4) Measurement Conditions



Rush Current I_{RUSH} can be measured when T_{RUSH} is $470\mu\text{s}$.

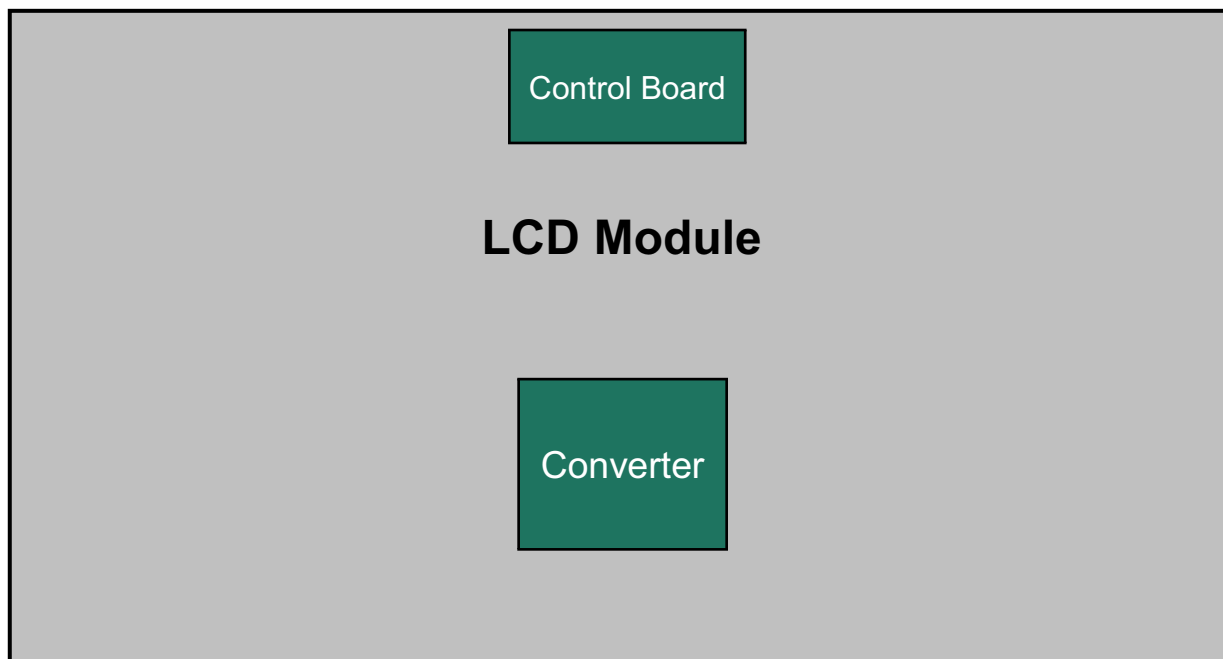
MODEL
LTA320AP18
Doc. No
06-000-S-100416
Page
8 / 25

Samsung Secret

3.2 Back Light Unit

The back light unit contains Edge type White LEDs (Light Emitting Diode)

Ta=25 ± 2°C



Item	Symbol	Min.	Typ.	Max.	Unit	Note
Operating Life Time	Hr	-	TBD	-	Hour	(1)

Note (1) It is defined as the time to take until the brightness reduces to 50% of its original value.

[Operating condition : Ta = 25± 2°C]

MODEL**LTA320AP18****Doc. No****06- 000- S- 100416****Page****9 / 25**

Samsung Secret

3.3 Converter Input Condition & Specification

Items	Symbol	Conditions	Specifications			Unit	Note
			Min.	Typ.	Max.		
Input Voltage	V _{in}	-	22	24	26	V	Ta=25± 2 °C (2)
Input Current	I _{RUSH}	V _{in} =24.0V V _{dim} =3.3V	-	-	4.5	A	(1)
LED Current	I _{O,MAX}	V _{dim} =3.3 V	123	130	137	mArms	
Backlight On/Off	ON	V _{in} =24.0 V	2.4	-	5.5	V	(2)
	OFF	V _{in} =24.0 V	0	-	0.8		
Dimming Control	V _{DIM}	Max Lum	3.3	-	-	V	(2)
		Min. Lum	-	-	0		

Note) Power Consumption is measured when 400 [cd/m] of luminance which is the typical luminance.

Lamp Current is measured at the point before Lamp.

- (1) Max Value of the Power Consumption is measured after 60 min warm-up.
(2) The ripple voltage should be controlled under 10% of Input Signal

MODEL**LTA320AP18****Doc. No****06- 000- S- 100416****Page****10 / 25**

4. Input Terminal Pin Assignment

Samsung Secret

4.1. Input Signal & Power

Connector : IS100-L300-C23(UJU) or Compatible

PIN No.	Description	PIN No.	Description
1	No Connection	16	GND
2	No Connection	17	RxIN3-
3	No Connection	18	RxIN3+
4	GND	19	GND
5	RxIN0-	20	No Connection
6	RxIN0+	21	LVDS OPTION (Note 2)
7	GND	22	No Connection
8	RxIN1-	23	GND
9	RxIN1+	24	GND
10	GND	25	GND
11	RxIN2-	26	Vin
12	RxIN2+	27	Vin
13	GND	28	Vin
14	RxCLK-	29	Vin
15	RxCLK+	30	Vin

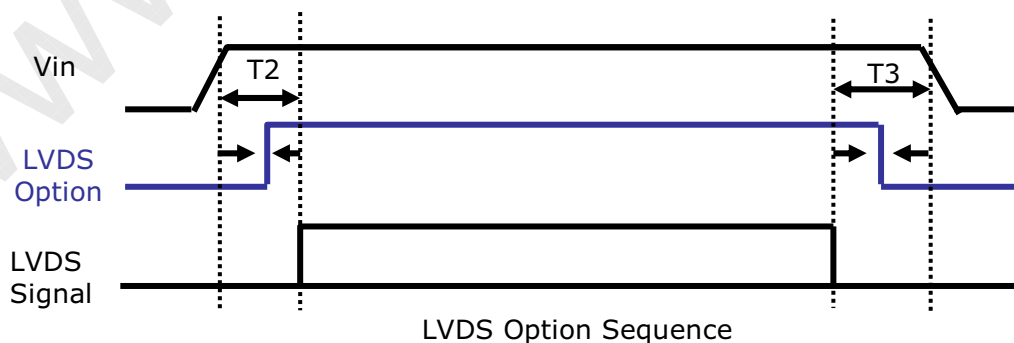
Note)(1) No Connection: This PINS are only used for SAMSUNG internal using.

(2) LVDS OPTION : If this PIN : HIGH (3.3 V) → Normal LVDS format

: LOW (GND) → JEIDA LVDS format

SEQUENCE : On = $V_{DD}(T1) \geq \text{LVDS Option} \geq \text{Interface Signal}(T2)$

OFF = $\text{Interface Signal}(T3) \geq \text{LVDS Option} \geq V_{DD}$



MODEL

LTA320AP18

Doc. No

06-000-S-100416

Page

11 / 25

Samsung Secret

Note(3) Pin number starts from Right side

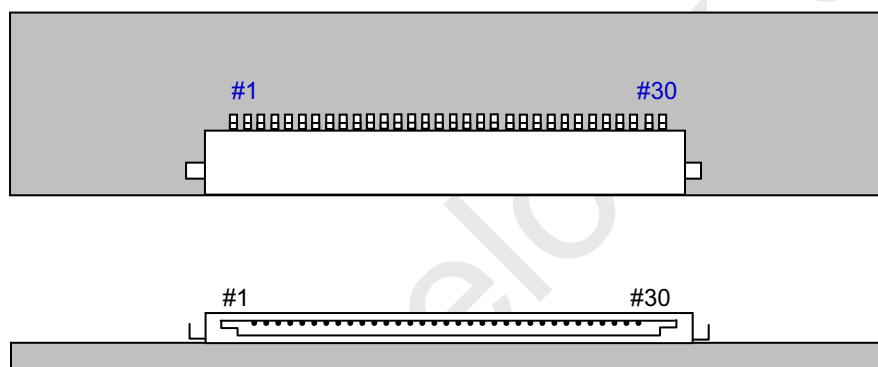
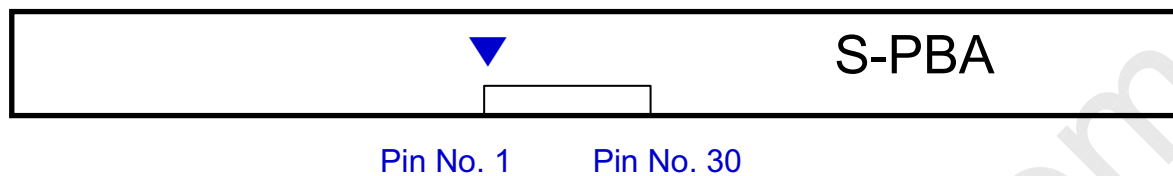


Fig. Connector diagram

- All GND pins should be connected together and also be connected to the LCD's metal chassis.
- All power input pins should be connected together.
- All NC pins should be separated from other signal or power.

MODEL**LTA320AP18****Doc. No****06- 000- S- 100416****Page****12 / 25**

Samsung Secret

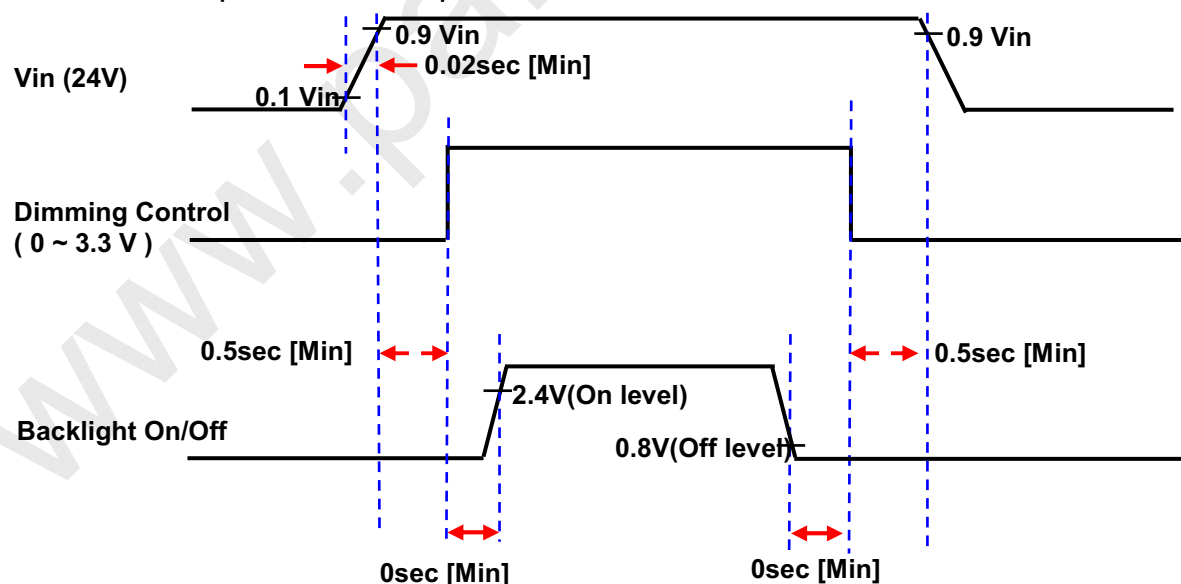
4.2. Inverter Input Pin Configuration

Connector : 20022WR-14AML (Yeon-ho)

Pin No.	Pin Configuration(FUNCTION)
1	24 V
2	24 V
3	24 V
4	24 V
5	24 V
6	GND
7	GND
8	GND
9	GND
10	GND
11	No Connection *Note(1)
12	Backlight On /Off [ON:2.4 – 5.25 V, OFF: 0 - 0.8 V]
13	Dimming Control [0V:Min, 3.3V:Max]
14	No Connection

Note(1) No Connection : SEC Internally Used

4.3. Inverter Input Power Sequence



Note) SEQUENCE : ON = Vin(24V) > Dimming Control ≥ Backlight On/Off
 OFF = Backlight On/Off ≥ Dimming Control > Vin(24V)

MODEL**LTA320AP18****Doc. No****06- 000- S- 100416****Page****13 / 25**

4.4 LVDS Interface

Samsung Secret

- LVDS Receiver : Tcon (merged)
- Data Format (JEIDA & Normal)

	LVDS pin	JEIDA -DATA	Normal -DATA
TxOUT/RxIN0	TxIN/RxOUT0	R2	R0
	TxIN/RxOUT1	R3	R1
	TxIN/RxOUT2	R4	R2
	TxIN/RxOUT3	R5	R3
	TxIN/RxOUT4	R6	R4
	TxIN/RxOUT6	R7	R5
	TxIN/RxOUT7	G2	G0
TxOUT/RxIN1	TxIN/RxOUT8	G3	G1
	TxIN/RxOUT9	G4	G2
	TxIN/RxOUT12	G5	G3
	TxIN/RxOUT13	G6	G4
	TxIN/RxOUT14	G7	G5
	TxIN/RxOUT15	B2	B0
	TxIN/RxOUT18	B3	B1
TxOUT/RxIN2	TxIN/RxOUT19	B4	B2
	TxIN/RxOUT20	B5	B3
	TxIN/RxOUT21	B6	B4
	TxIN/RxOUT22	B7	B5
	TxIN/RxOUT24	HSYNC	HSYNC
	TxIN/RxOUT25	VSYNC	VSYNC
	TxIN/RxOUT26	DEN	DEN
TxOUT/RxIN3	TxIN/RxOUT27	R0	R6
	TxIN/RxOUT5	R1	R7
	TxIN/RxOUT10	G0	G6
	TxIN/RxOUT11	G1	G7
	TxIN/RxOUT16	B0	B6
	TxIN/RxOUT17	B1	B7
	TxIN/RxOUT23	RESERVED	RESERVED

MODEL**LTA320AP18****Doc. No****06- 000- S- 100416****Page****14 / 25**

Samsung Secret

4.5 Input Signals, Basic Display Colors and Gray Scale of Each Color

COLOR	DISPLAY (8bit)	DATA SIGNAL																								GRAY SCALE LEVEL
		RED							GREEN							BLUE										
		R0	R1	R2	R3	R4	R5	R6	R7	G0	G1	G2	G3	G4	G5	G6	G7	B0	B1	B2	B3	B4	B5	B6	B7	
BASIC COLOR	BLACK	0	0	0	0	0	0	0	0	0	0	0	0	0	0	0	0	0	0	0	0	0	0	0	0	-
	BLUE	0	0	0	0	0	0	0	0	0	0	0	0	0	0	0	0	1	1	1	1	1	1	1	1	-
	GREEN	0	0	0	0	0	0	0	0	1	1	1	1	1	1	1	1	0	0	0	0	0	0	0	0	-
	CYAN	0	0	0	0	0	0	0	0	1	1	1	1	1	1	1	1	1	1	1	1	1	1	1	1	-
	RED	1	1	1	1	1	1	1	1	0	0	0	0	0	0	0	0	0	0	0	0	0	0	0	0	-
	MAGENTA	1	1	1	1	1	1	1	1	0	0	0	0	0	0	0	0	1	1	1	1	1	1	1	1	-
	YELLOW	1	1	1	1	1	1	1	1	1	1	1	1	1	1	1	1	0	0	0	0	0	0	0	0	-
	WHITE	1	1	1	1	1	1	1	1	1	1	1	1	1	1	1	1	1	1	1	1	1	1	1	1	-
GRAY SCALE OF RED	BLACK	0	0	0	0	0	0	0	0	0	0	0	0	0	0	0	0	0	0	0	0	0	0	0	R0	
	DARK ↑	1	0	0	0	0	0	0	0	0	0	0	0	0	0	0	0	0	0	0	0	0	0	0	R1	
		0	1	0	0	0	0	0	0	0	0	0	0	0	0	0	0	0	0	0	0	0	0	0	R2	
		:	:	:	:	:	:	:	:	:	:	:	:	:	:	:	:	:	:	:	:	:	:	:	R3~R252	
		:	:	:	:	:	:	:	:	:	:	:	:	:	:	:	:	:	:	:	:	:	:	:	R3~R252	
	LIGHT ↓	1	0	1	1	1	1	1	1	0	0	0	0	0	0	0	0	0	0	0	0	0	0	0	R252	
		0	1	1	1	1	1	1	1	0	0	0	0	0	0	0	0	0	0	0	0	0	0	0	R252	
	RED	1	1	1	1	1	1	1	1	0	0	0	0	0	0	0	0	0	0	0	0	0	0	0	R252	
GRAY SCALE OF GREEN	BLACK	0	0	0	0	0	0	0	0	0	0	0	0	0	0	0	0	0	0	0	0	0	0	0	G0	
	DARK ↑	0	0	0	0	0	0	0	0	1	0	0	0	0	0	0	0	0	0	0	0	0	0	0	G1	
		0	0	0	0	0	0	0	0	0	1	0	0	0	0	0	0	0	0	0	0	0	0	0	G2	
		:	:	:	:	:	:	:	:	:	:	:	:	:	:	:	:	:	:	:	:	:	:	:	G3~G252	
		:	:	:	:	:	:	:	:	:	:	:	:	:	:	:	:	:	:	:	:	:	:	:	G3~G252	
	LIGHT ↓	0	0	0	0	0	0	0	0	1	0	1	1	1	1	1	1	0	0	0	0	0	0	0	G252	
		0	0	0	0	0	0	0	0	0	1	1	1	1	1	1	1	0	0	0	0	0	0	0	G252	
	GREEN	0	0	0	0	0	0	0	0	1	1	1	1	1	1	1	1	0	0	0	0	0	0	0	G252	
GRAY SCALE OF BLUE	BLACK	0	0	0	0	0	0	0	0	0	0	0	0	0	0	0	0	0	0	0	0	0	0	0	B0	
	DARK ↑	0	0	0	0	0	0	0	0	0	0	0	0	0	0	0	0	1	0	0	0	0	0	0	B1	
		0	0	0	0	0	0	0	0	0	0	0	0	0	0	0	0	0	1	0	0	0	0	0	B2	
		:	:	:	:	:	:	:	:	:	:	:	:	:	:	:	:	:	:	:	:	:	:	:	B3~B252	
		:	:	:	:	:	:	:	:	:	:	:	:	:	:	:	:	:	:	:	:	:	:	:	B3~B252	
	LIGHT ↓	0	0	0	0	0	0	0	0	0	0	0	0	0	0	0	0	1	0	1	1	1	1	1	B252	
		0	0	0	0	0	0	0	0	0	0	0	0	0	0	0	0	0	1	1	1	1	1	1	B252	
	BLUE	0	0	0	0	0	0	0	0	0	0	0	0	0	0	0	0	1	1	1	1	1	1	1	B252	

Note) Definition of Gray :

Rn : Red Gray, Gn : Green Gray, Bn : Blue Gray (n = Gray level)

Input Signal : 0 = Low level voltage, 1 = High level voltage

MODEL	LTA320AP18	Doc. No	06-000-S-100416	Page	15 / 25
--------------	-------------------	----------------	------------------------	-------------	----------------

5. Interface Timing

Samsung Secret

5.1 Timing Parameters (DE only mode)

SIGNAL	ITEM	SYMBOL	MIN.	TYP.	MAX.	Unit	NOTE
Clock	Frequency	$1/T_C$	72	78	85	MHz	-
Hsync		F_H	44	48	53	KHz	-
Vsync		F_V	48	60	66	Hz	-
Vertical Active Display Term	Display Period	T_{VD}	-	768	-	lines	-
	Vertical Total	T_V	773	802	1200	lines	-
Horizontal Active Display Term	Display Period	T_{HD}	-	1366	-	clocks	-
	Horizontal Total	T_H	1460	1624	2000	clocks	-

Note) This product is DE only mode. The input of Hsync & Vsync signal does not have an effect on normal operation.

- (1) Test Point : TTL control signal and CLK at LVDS Tx input terminal in system
- (2) Internal $V_{DD} = 3.3V$

5.2 Spread Spectrum

- Modulation rate (max) : $\pm 1.5 \%$
- Modulation Frequency : under 300 KHz

5.3 LVDS Input Data Position

ITEM		SYMBOL	Min.	Typ.	Max.	UNIT	NOTE
Input Data Position	$F_{IN}=85MHz$	t_{RSRM}	-	-	400	Ps	-
	$F_{IN}=78MHz$		-	-	450	ps	
	$F_{IN}=72MHz$		-	-	500	ps	
Input Data Position	$F_{IN}=85MHz$	t_{RSLM}	-400	-	-	ps	
	$F_{IN}=78MHz$		-450	-	-	ps	
	$F_{IN}=72MHz$		-500	-	-	ps	
Input common mode voltage		V_{CM}	0.3	-	1.8	V	-
Differential Input Voltage		$ V_{ID} $	200	-	600	mV	-

Note) When the skew is measured the Spread Spectrum should be 0%

MODEL

LTA320AP18

Doc. No

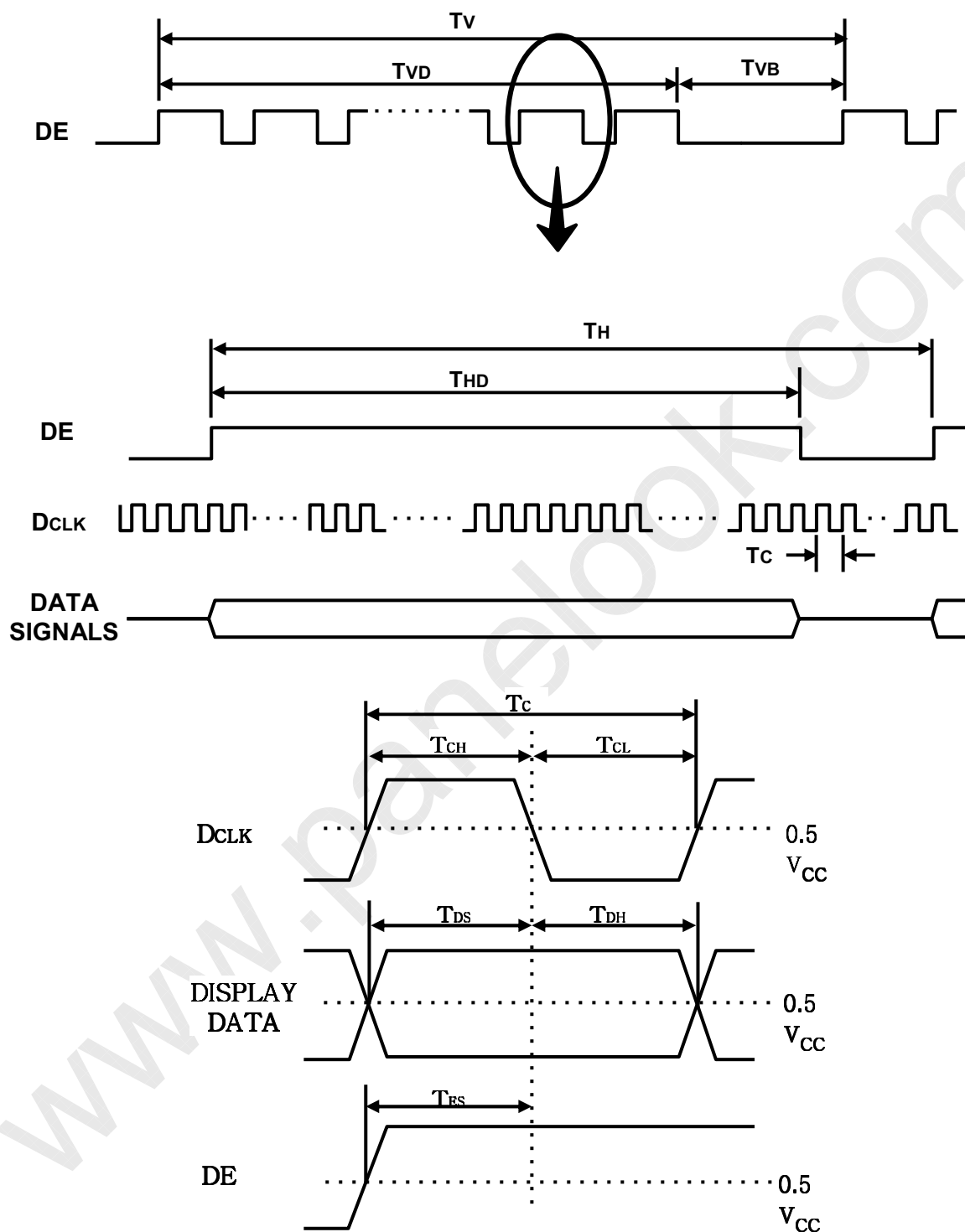
06-000-S-100416

Page

16 / 25

Samsung Secret

5.4 Timing diagrams of interface signal (DE only mode)



MODEL

LTA320AP18

Doc. No

06-000-S-100416

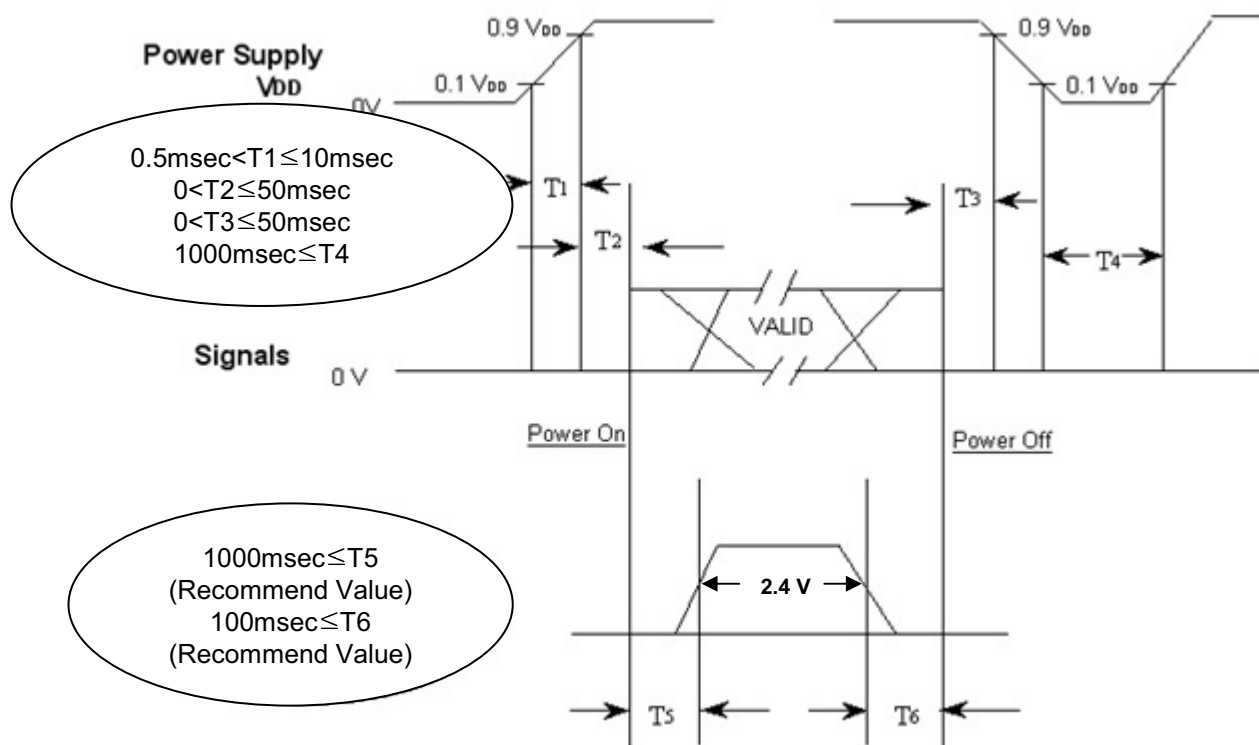
Page

17 / 25

Samsung Secret

5.3 Power ON/OFF Sequence

To prevent a latch-up or DC operation of the LCD Module, the power on/off sequence should be as the diagram below.



T1 : V_{DD} rising time from 10% to 90%

T2 : The time from V_{DD} to valid data at power ON.

T3 : The time from valid data off to V_{DD} off at power Off.

T4 : V_{DD} off time for Windows restart

T5 : The time from valid data to B/L enable at power ON.

T6 : The time from valid data off to B/L disable at power Off.

- The supply voltage of the external system for the Module input should be the same as the definition of V_{DD} .
- Apply the lamp voltage within the LCD operation range. When the back light turns on before the LCD operation or the LCD turns off before the back light turns off, the display may momentarily show abnormal screen.
- In case of V_{DD} = off level, please keep the level of input signals low or keep a high impedance.
- T4 should be measured after the Module has been fully discharged between power off and on period.
- Interface signal should not be kept at high impedance when the power is on.
- In case T5 is less than 1000msec and T6 is less than 100msec, Garbage Display can be seen. (It is not related to electrical function issue, Just for recommendation to prevent Garbage Display)

MODEL

LTA320AP18

Doc. No

06- 000- S- 100416

Page

18 / 25



Samsung Secret

TBD

www.panelook.com

MODEL

LTA320AP18

Doc. No

06- 000- S- 100416

Page

19 / 25

Samsung Secret

TBD

www.panelook.com

MODEL	LTA320AP18	Doc. No	06- 000- S- 100416	Page	20 / 25
--------------	-------------------	----------------	---------------------------	-------------	----------------

Samsung Secret

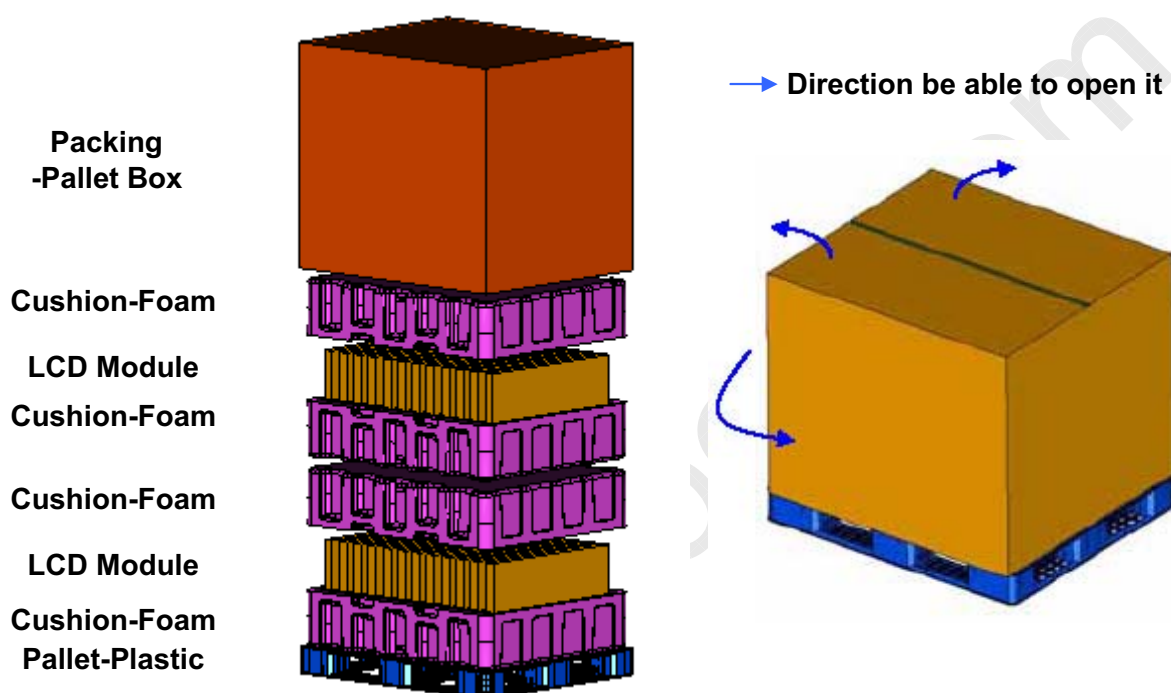
7. PACKING

7.1 CARTON (Internal Package)

(1) Packing Form

Corrugated fiberboard box and corrugated cardboard as shock absorber

(2) Packing Method



7.2 Packing Specification

Item	Specification	Remark
LCD Packing	24ea / (Packing-Pallet Box)	1. 132 Kg / LCD (24ea) 2. 3.5 Kg / Cushion-pallet (4ea) 3. 8.8 Kg / Packing-Pallet Box (1ea) 4. Cushion-pallet Material : EPS 5. Packing-Pallet Box Material : DW4
Pallet	1Box / Pallet	1. Pallet weight = 8kg
Packing Direction	Vertical	
Total Pallet Size	H x V x height	1150mm(H) x 985mm(V) x 1611mm(height)
Total Pallet Weight	162.8 kg	Pallet(8kg) + Module(5.5*24=132) + Cushion (up*2+botton*2=14kg) + Pallet-BOX (8.8kg)

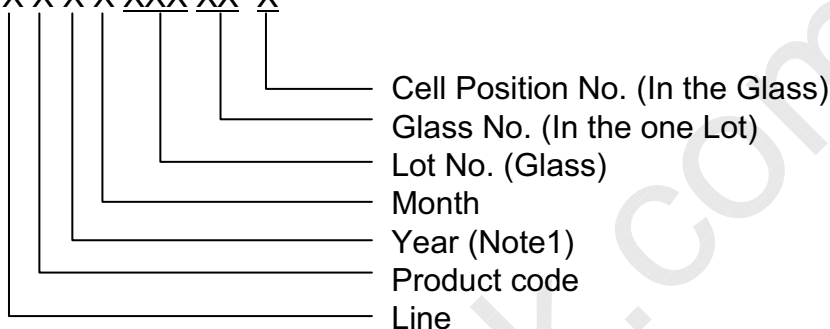
MODEL**LTA320AP18****Doc. No****06- 000- S- 100416****Page****21 / 25**

Samsung Secret

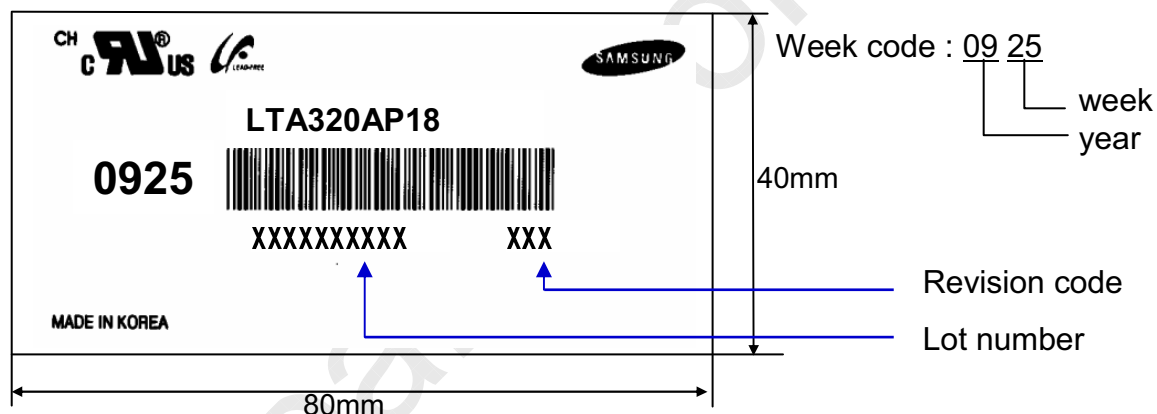
8. MARKING & OTHERS

A nameplate bearing followed by is affixed to a shipped product at the specified location on each product.

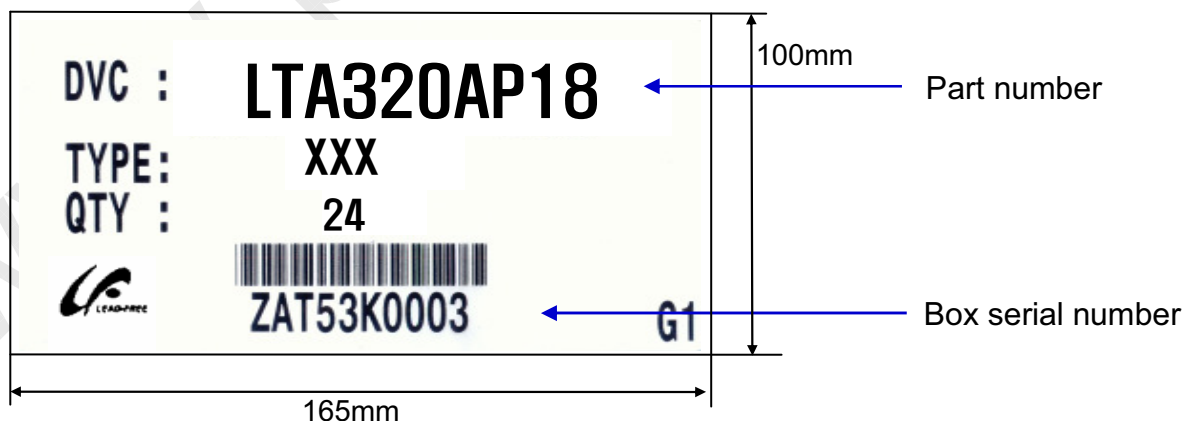
- (1) Part number : LTA320AP18
- (2) Revision: Three letters
- (3) Lot number : X X X X XXX XX X



(4) Nameplate Indication



(5) Packing box attach



(6) Others

- 1. After service part
 Lamps cannot be replaced because of the narrow bezel structure.

MODEL	LTA320AP18	Doc. No	06- 000- S- 100416	Page	22 / 25
--------------	-------------------	----------------	---------------------------	-------------	----------------

9. General Precautions

Samsung Secret

9.1 Handling

- (a) When the Module is assembled, it should be attached to the system firmly using all mounting holes. Be careful not to twist and bend the Module.
- (b) Because the inverter use high voltage, it should be disconnected from power before it is assembled or disassembled.
- (c) Refrain from strong mechanical shock and / or any force to the Module.
In addition to damage, this may cause improper operation or damage to the Module and CCFT back light.
- (d) Note that polarizers are very fragile and could be damage easily.
Do not press or scratch the surface harder than a HB pencil lead.
- (e) Wipe off water droplets or oil immediately. If you leave the droplets for a long time, staining or discoloration may occur.
- (f) If the surface of the polarizer is dirty, clean it using absorbent cotton or soft cloth.
- (g) Desirable cleaners are water, IPA(Isopropyl Alcohol) or Hexane.
Do not use Ketone type materials(ex. Acetone), Ethyl alcohol, Toluene, Ethyl acid or Methyl chloride. It might permanent damage to the polarizer due to chemical reaction.
- (h) If the liquid crystal material leaks from the panel, it should be kept away from the eyes or mouth . In case of contact with hands, legs or clothes, it must be washed away with soap thoroughly.
- (i) Protect the Module from static, or the CMOS Gate Array IC would be damaged.
- (j) Use finger-stalls with soft gloves in order to keep display clean during the incoming inspection and assembly process.
- (k) Do not disassemble the Module.
- (l) Do not pull or fold the lamp wire.
- (m) Do not adjust the variable resistor located on the Module.
- (n) Protection film for polarizer on the Module should be slowly peeled off just before use so that the electrostatic charge can be minimized.
- (o) Pins of I/F connector should not be touched directly with bare hands.

MODEL

LTA320AP18

Doc. No

06- 000- S- 100416

Page

23 / 25

Samsung Secret

9.2 Storage

- (a) Do not leave the Module in high temperature, and high humidity for a long time. It is highly recommended to store the Module with temperature from 0 to 35 °C and relative humidity of less than 70%.
- (b) Do not store the TFT-LCD Module in direct sunlight.
- (c) The Module should be stored in a dark place. It is prohibited to apply sunlight or fluorescent light in storing.

9.3 Operation

- (a) Do not connect or disconnect the Module in the "Power On" condition.
- (b) Power supply should always be turned on/off by the "Power on/off sequence"
- (c) Module has high frequency circuits. Sufficient suppression to the electromagnetic interference should be done by system manufacturers. Grounding and shielding methods may be important to minimize the interference.
- (d) The cable between the back light connector and its inverter power supply should be connected directly with a minimized length. A longer cable between the back light and the inverter may cause lower luminance of lamp(CCFT) and may require higher startup voltage(Vs).

9.4 Operation Condition Guide

- (a) The LCD product should be operated under normal conditions.
Normal condition is defined as below;
 - Temperature : 20± 15 °C
 - Humidity : 55± 20%
 - Display pattern : continually changing pattern (Not stationary)
- (b) If the product will be used in extreme conditions such as high temperature, humidity, display patterns or operation time etc., It is strongly recommended to contact SEC for Application engineering advice. Otherwise, its reliability and function may not be guaranteed. Extreme conditions are commonly found at Airports, Transit Stations, Banks, Stock market, and Controlling systems.

MODEL**LTA320AP18****Doc. No****06- 000- S- 100416****Page****24 / 25**

Samsung Secret

9.5 Others

- (a) Ultra-violet ray filter is necessary for outdoor operation.
- (b) Avoid condensation of water. It may result in improper operation or disconnection of electrode.
- (c) Do not exceed the absolute maximum rating value. (supply voltage variation, input voltage variation, variation in part contents and environmental temperature, and so on)
Otherwise the Module may be damaged.
- (d) If the Module keeps displaying the same pattern for a long period of time, the image may be "sticked" to the screen.
To avoid image sticking, it is recommended to use a screen saver.
- (e) This Module has its circuitry PCB's on the rear side and should be handled carefully in order not to be stressed.
- (f) Please contact SEC in advance when you display the same pattern for a long time.

MODEL**LTA320AP18****Doc. No****06- 000- S- 100416****Page****25 / 25**