

FEATURES

- **Low Supply Current: 300 μ A**
- 1 μ A Supply Current in SHUTDOWN
- **ESD Protection: Over ± 10 kV**
- Operates from a Single 5V Supply
- Uses Small Capacitors: 0.1 μ F
- Operates to 120k Baud
- Three-State Outputs Are High Impedance When Off
- Output Overvoltage Does Not Force Current Back into Supplies
- RS232 I/O Lines Can Be Forced to ± 25 V without Damage
- Pin Compatible with LT1137A and LT1237
- Flowthrough Architecture

APPLICATIONS

- Notebook Computers
- Palmtop Computers

DESCRIPTION

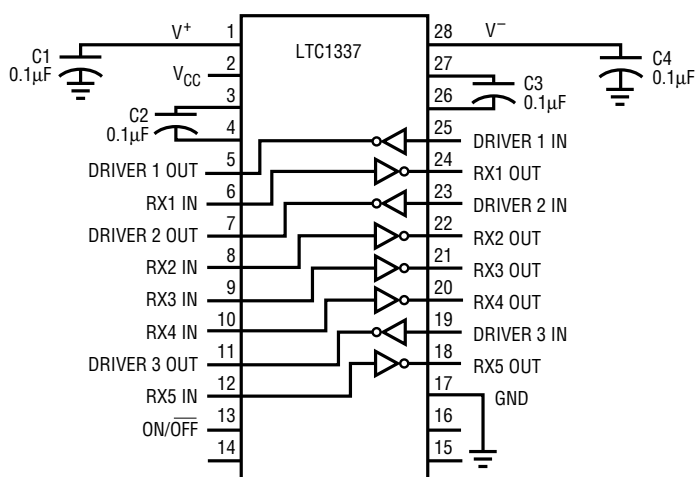
The LTC1337 is a 3-driver/5-receiver RS232 transceiver with very low supply current. In the no load condition, the supply current is only 300 μ A. The charge pump only requires four 0.1 μ F capacitors and can supply up to 12mA of extra current to power external circuitry.

In SHUTDOWN mode, the supply current is further reduced to 1 μ A. All RS232 outputs assume a high impedance state in SHUTDOWN and with the power off.

The LTC1337 is fully compliant with all data rate and overvoltage RS232 specifications. The transceiver can operate up to 120k baud with a 1000pF//3k Ω load. Both driver outputs and receiver inputs can be forced to ± 25 V without damage, and can survive multiple ± 10 kV ESD strikes.

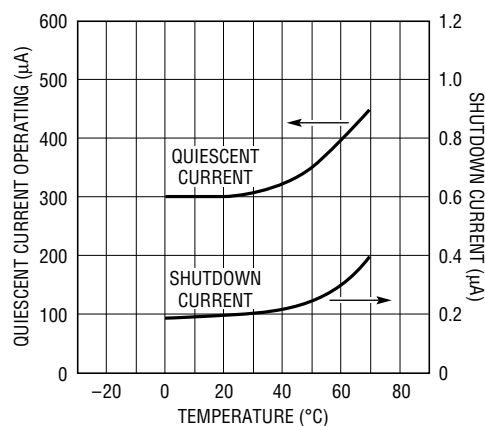
TYPICAL APPLICATION

3-Drivers/5-Receivers with SHUTDOWN



1337 TA01

Supply Current



TEST CONDITION:
V_{CC} = 5V, ALL DRIVER INPUTS TIED TO V_{CC}

1337 TA02

ABSOLUTE MAXIMUM RATINGS

(Note 1)

Supply Voltage (V_{CC})	6V
Input Voltage	
Driver	-0.3V to $V_{CC} + 0.3V$
Receiver	-25V to 25V
On/Off Pin	-0.3V to $V_{CC} + 0.3V$
Output Voltage	
Driver	-25V to 25V
Receiver	-0.3V to $V_{CC} + 0.3V$
Short Circuit Duration	
V^+	30 sec
V^-	30 sec
Driver Output	Indefinite
Receiver Output	Indefinite
Operating Temperature Range	
Commercial (LTC1337C)	0°C to 70°C
Storage Temperature Range	-65°C to 150°C
Lead Temperature (Soldering, 10 sec)	300°C

PACKAGE/ORDER INFORMATION

TOP VIEW

G PACKAGE N PACKAGE
 28-LEAD SSOP 28-LEAD PLASTIC DIP
 S PACKAGE
 28-LEAD PLASTIC SOL

$T_{JMAX} = 125^{\circ}C, \theta_{JA} = 96^{\circ}C/W (G)$
 $T_{JMAX} = 125^{\circ}C, \theta_{JA} = 56^{\circ}C/W (N)$
 $T_{JMAX} = 125^{\circ}C, \theta_{JA} = 85^{\circ}C/W (S)$

ORDER PART NUMBER

LTC1337CG
LTC1337CN
LTC1337CS

Consult factory for Industrial and Military grade parts.

DC ELECTRICAL CHARACTERISTICS

$V_{CC} = 5V, C1 = C2 = C3 = C4 = 0.1\mu F$, unless otherwise noted.

PARAMETER	CONDITIONS	MIN	TYP	MAX	UNITS	
Any Driver						
Output Voltage Swing	$R_L = 3k$ to GND	Positive	5.0	7.0	V	
	$R_L = 3k$ to GND	Negative	-5.0	-6.5	V	
Logic Input Voltage Level	Input Low Level ($V_{OUT} = High$)		1.4	0.8	V	
	Input High Level ($V_{OUT} = Low$)		2.0	1.4	V	
Logic Input Current	$V_{IN} = 5V$			5	μA	
	$V_{IN} = 0$			-5	μA	
Output Short-Circuit Current	$V_{OUT} = 0V$		± 10		mA	
Output Leakage Current	SHUTDOWN, $V_{OUT} = \pm 20V$ (Note 3)		10	200	μA	
Any Receiver						
Input Voltage Thresholds	Input Low Threshold		0.8	1.3	V	
	Input High Threshold			1.7	2.4	V
Hysteresis			0.1	0.4	1	V
Input Resistance			3	5	7	k Ω
Output Voltage	Output Low, $I_{OUT} = -1.6mA$ ($V_{CC} = 5V$)			0.2	0.4	V
	Output High, $I_{OUT} = 160\mu A$ ($V_{CC} = 5V$)		3.5	4.8		V
Output Short-Circuit Current	Sourcing Current, $V_{OUT} = 0$		15	20	mA	
	Sinking Current, $V_{OUT} = V_{CC}$		-15	-40	mA	
Output Leakage Current	SHUTDOWN, $0 \leq V_{OUT} \leq V_{CC}$ (Note 3)			1	10	μA

DC ELECTRICAL CHARACTERISTICS $V_{CC} = 5V$, $C1 = C2 = C3 = C4 = 0.1\mu F$, unless otherwise noted.

PARAMETER	CONDITIONS	MIN	TYP	MAX	UNITS
Power Supply Generator					
V ⁺ Output Voltage	$I_{OUT} = 0mA$		8.0		V
	$I_{OUT} = 12mA$		7.5		V
V ⁻ Output Voltage	$I_{OUT} = 0mA$		-8.0		V
	$I_{OUT} = 12mA$		-6.5		V
Supply Rise Time	SHUTDOWN to Turn-On		0.2		ms
Power Supply					
V _{CC} Supply Current	No Load (Note 2)	●	0.3	0.5	mA
Supply Leakage Current (V _{CC})	SHUTDOWN (Note 3)	●	1	10	μA
On/Off Threshold Low		●	1.4	0.8	V
On/Off Threshold High		●	2.0	1.4	V

AC CHARACTERISTICS

PARAMETER	CONDITIONS	MIN	TYP	MAX	UNITS
Slew Rate	$R_L = 3k$, $C_L = 51pF$		8	30	V/μs
	$R_L = 3k$, $C_L = 2500pF$	2	4		V/μs
Driver Propagation Delay (TTL to RS232)	t_{HLD} (Figure 1)	●	2	3	μs
Receiver Propagation Delay (RS232 to TTL)	t_{LHD} (Figure 1)	●	2	3	μs
Receiver Propagation Delay (RS232 to TTL)	t_{HLR} (Figure 2)	●	0.3	0.6	μs
	t_{LHR} (Figure 2)	●	0.2	0.6	μs

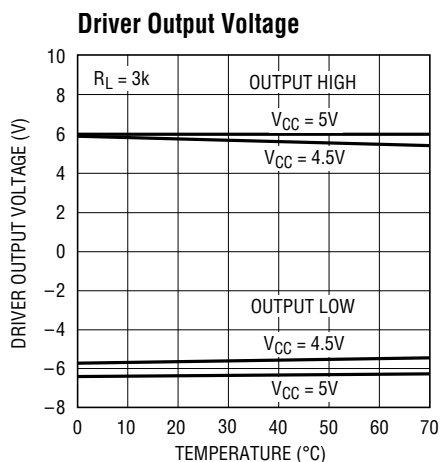
The ● denotes specifications which apply over the operating temperature range ($0^{\circ}C \leq T_A \leq 70^{\circ}C$).

Note 1: Absolute maximum ratings are those values beyond which the life of the device may be impaired.

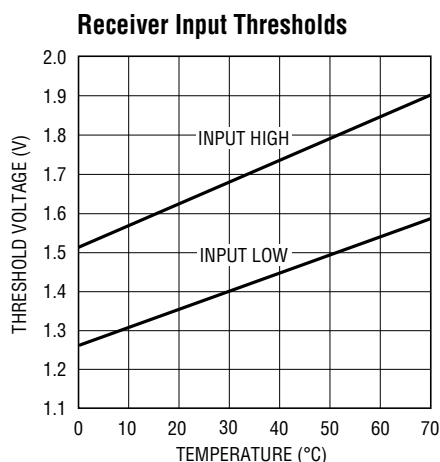
Note 2: Supply current is measured with driver and receiver outputs unloaded and driver inputs tied high.

Note 3: Supply current and leakage measurements in SHUTDOWN are performed with $V_{ON} = 0V$.

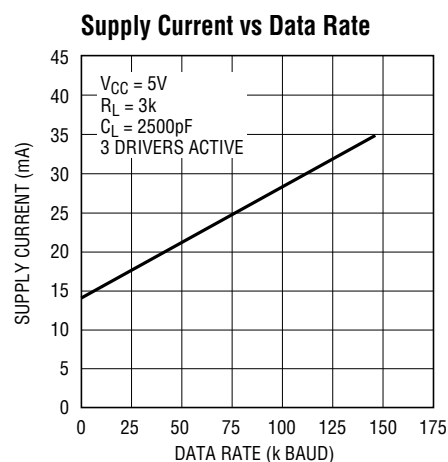
TYPICAL PERFORMANCE CHARACTERISTICS



1337 G01

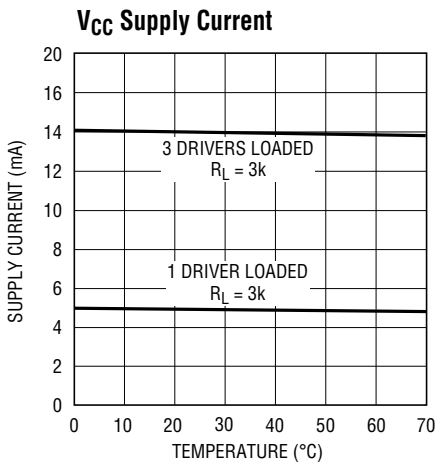


1337 G02

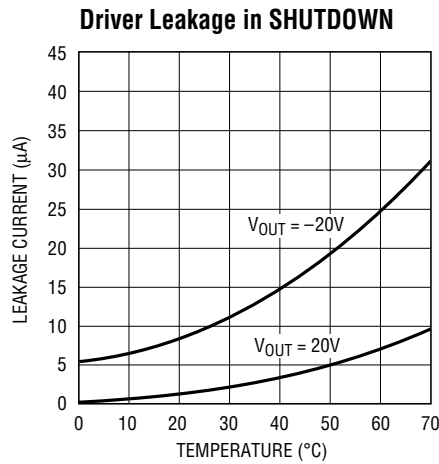


1337 G03

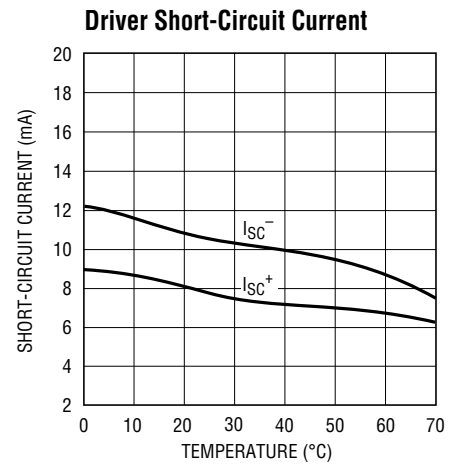
TYPICAL PERFORMANCE CHARACTERISTICS



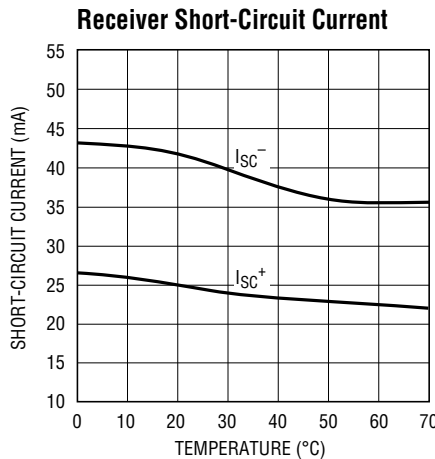
1337 G04



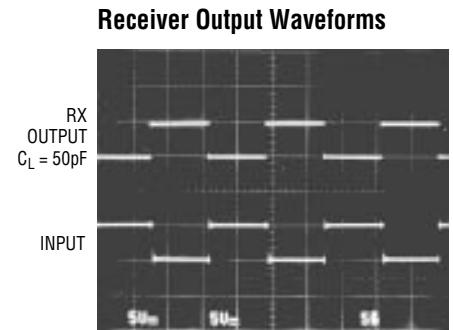
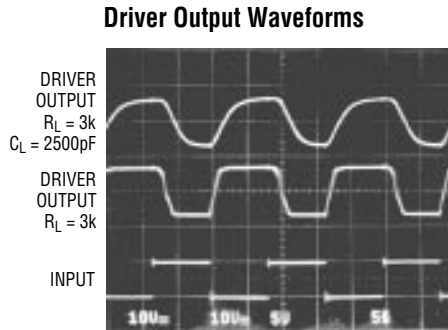
1337 G05



1337 G06



1337 G07



PIN FUNCTIONS

V_{CC}: 5V Input Supply Pin. Supply current less than 1µA in the SHUTDOWN mode. This pin should be decoupled with a 0.1µF ceramic capacitor.

GND: Ground Pin.

ON/OFF: TTL/CMOS Compatible Shutdown Pin. A logic low puts the device in the SHUTDOWN mode which reduces input supply current to less than 1µA and places all drivers and receivers in high impedance state.

V⁺: Positive Supply Output (RS232 Drivers). V⁺ ≅ 2V_{CC} - 1V. This pin requires an external capacitor C = 0.1µF for charge storage. The capacitor may be tied to ground or 5V. With multiple devices, the V⁺ and V⁻ pins may be paral-

leled into common capacitors. For large numbers of devices, increasing the size of the shared common storage capacitors is recommended to reduce ripple.

V⁻: Negative Supply Output (RS232 Drivers). V⁻ ≅ (2V_{CC} - 1.5V). This pin requires an external capacitor C = 0.1µF for charge storage.

C1⁺, C1⁻, C2⁺, C2⁻: Commutating Capacitor Inputs. These pins require two external capacitors C = 0.1µF. One from C1⁺ to C1⁻, and another from C2⁺ to C2⁻. To maintain charge pump efficiency, the capacitor's effective series resistance should be less than 50Ω.

PIN FUNCTIONS

DRIVER IN: RS232 Driver Input Pins. Inputs are TTL/CMOS compatible. Inputs should not be allowed to float. Tie unused inputs to V_{CC} .

DRIVER OUT: Driver Outputs at RS232 Voltage Levels. Outputs are in a high impedance state when in SHUT-DOWN mode or $V_{CC} = 0V$. The driver outputs are protected against ESD to $\pm 10kV$ for human body model discharges.

RX IN: Receiver Inputs. These pins can be forced to $\pm 25V$ without damage. The receiver inputs are protected against ESD to $\pm 10kV$ for human body model discharges. Each receiver provides 0.4V of hysteresis for noise immunity.

RX OUT: Receiver Outputs with TTL/CMOS Voltage Levels. Outputs are in a high impedance state when in SHUT-DOWN mode to allow data line sharing.

SWITCHING TIME WAVEFORMS

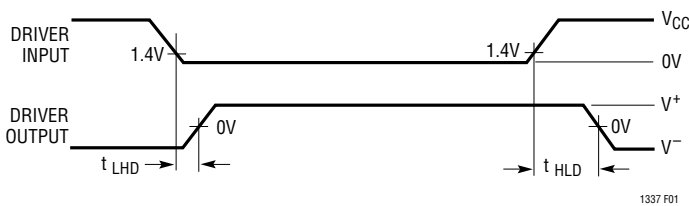


Figure 1. Driver Propagation Delay Timing

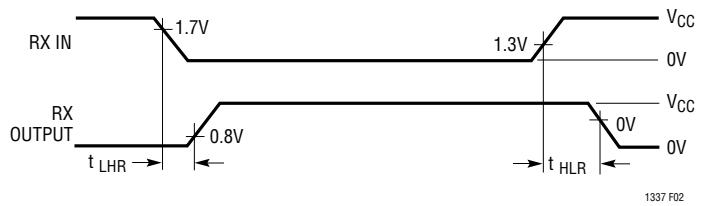


Figure 2. Receiver Propagation Delay Timing

TEST CIRCUITS

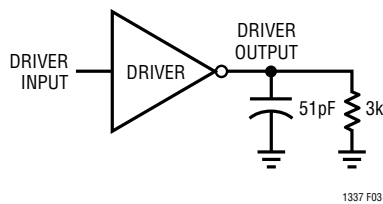


Figure 3. Driver Timing Test Load

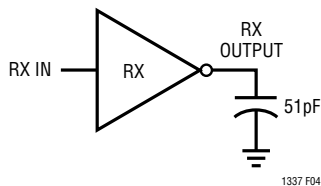
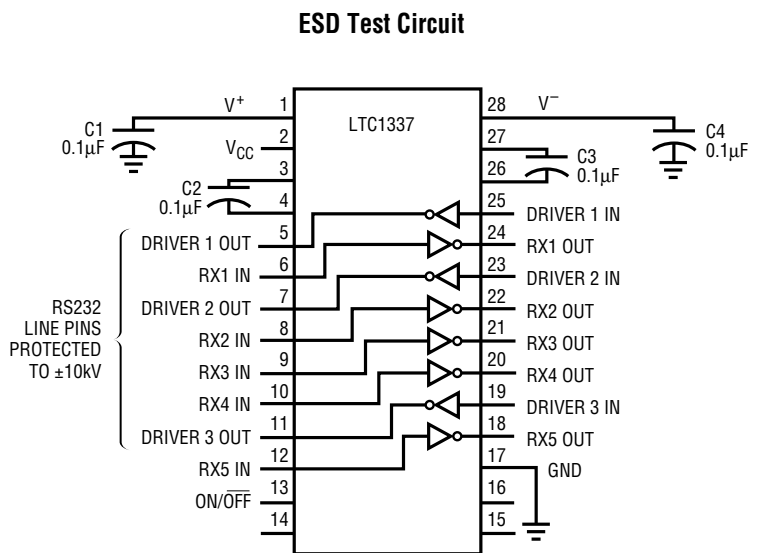


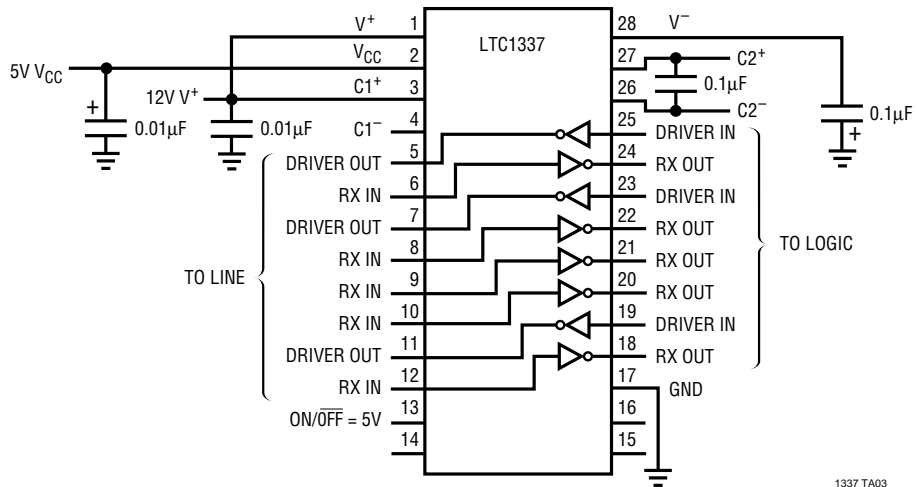
Figure 4. Receiver Timing Test Load



1337 TC01

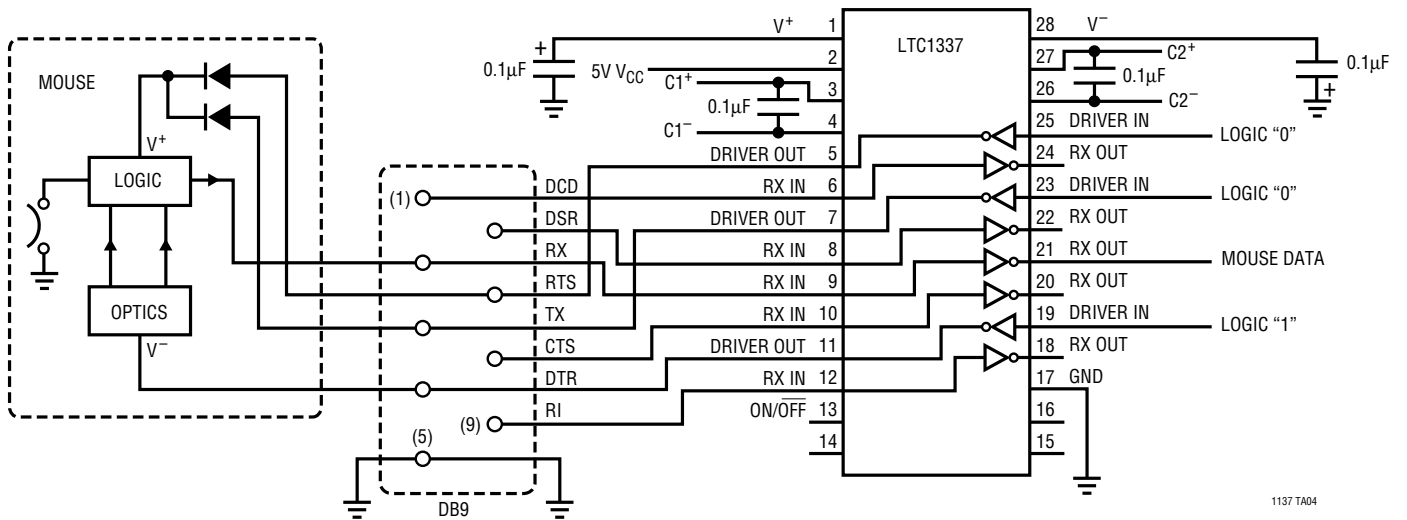
TYPICAL APPLICATIONS

Operation Using 5V and 12V Power Supplies



1337 TA03

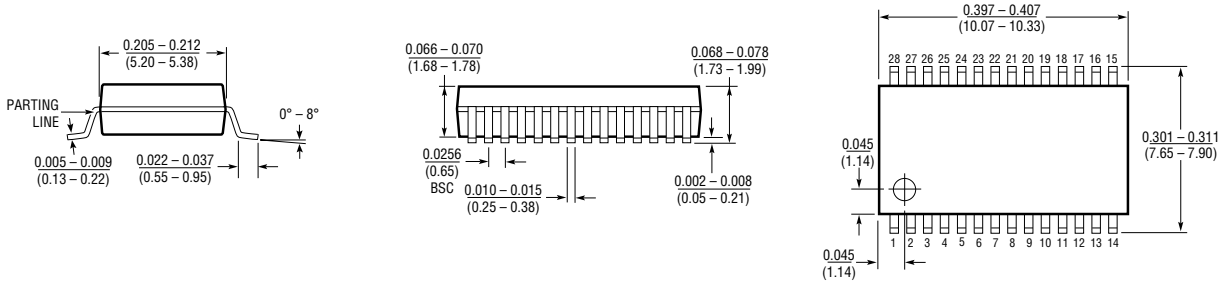
Typical Mouse Driving Application



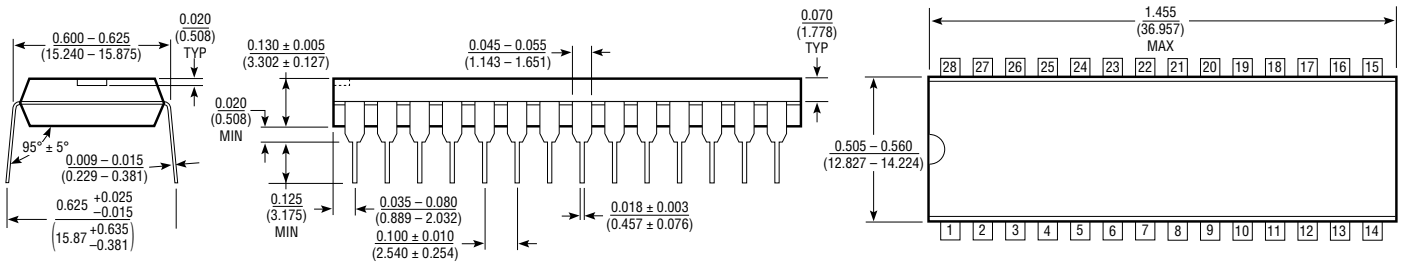
1137 TA04

PACKAGE DESCRIPTION Dimensions in inches (millimeters) unless otherwise notes.

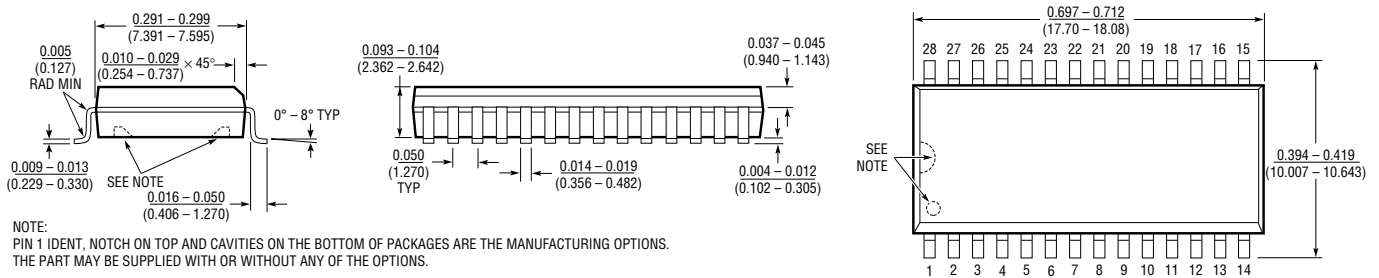
**G Package
28-Lead SSOP**



**N Package
28-Lead Plastic DIP**



**S Package
28-Lead SOL**



U.S. Area Sales Offices

NORTHEAST REGION

Linear Technology Corporation
One Oxford Valley
2300 E. Lincoln Hwy., Suite 306
Langhorne, PA 19047
Phone: (215) 757-8578
FAX: (215) 757-5631

Linear Technology Corporation

266 Lowell St., Suite B-8
Wilmington, MA 01887
Phone: (508) 658-3881
FAX: (508) 658-2701

SOUTHEAST REGION

Linear Technology Corporation
17060 Dallas Parkway
Suite 208
Dallas, TX 75248
Phone: (214) 733-3071
FAX: (214) 380-5138

CENTRAL REGION

Linear Technology Corporation
Chesapeake Square
229 Mitchell Court, Suite A-25
Addison, IL 60101
Phone: (708) 620-6910
FAX: (708) 620-6977

SOUTHWEST REGION

Linear Technology Corporation
22141 Ventura Blvd.
Suite 206
Woodland Hills, CA 91364
Phone: (818) 703-0835
FAX: (818) 703-0517

NORTHWEST REGION

Linear Technology Corporation
782 Sycamore Dr.
Milpitas, CA 95035
Phone: (408) 428-2050
FAX: (408) 432-6331

International Sales Offices

FRANCE

Linear Technology S.A.R.L.
Immeuble "Le Quartz"
58 Chemin de la Justice
92290 Chatenay Malabry
France
Phone: 33-1-41079555
FAX: 33-1-46314613

GERMANY

Linear Technolgy GMBH Untere
Hauptstr. 9
D-85386 Eching
Germany
Phone: 49-89-3197410
FAX: 49-89-3194821

JAPAN

Linear Technology KK
5F YZ Bldg.
Iidabashi, Chiyoda-Ku
Tokyo, 102 Japan
Phone: 81-3-3237-7891
FAX: 81-3-3237-8010

KOREA

Linear Technology Korea Branch
Namsong Building, #505
Itaewon-Dong 260-199
Yongsan-Ku, Seoul
Korea
Phone: 82-2-792-1617
FAX: 82-2-792-1619

SINGAPORE

Linear Technology Pte. Ltd.
101 Boon Keng Road
#02-15 Kallang Ind. Estates
Singapore 1233
Phone: 65-293-5322
FAX: 65-292-0398

TAIWAN

Linear Technology Corporation
Rm. 801, No. 46, Sec. 2
Chung Shan N. Rd.
Taipei, Taiwan, R.O.C.
Phone: 886-2-521-7575
FAX: 886-2-562-2285

UNITED KINGDOM

Linear Technology (UK) Ltd.
The Coliseum, Riverside Way
Camberley, Surrey GU15 3YL
United Kingdom
Phone: 44-276-677676
FAX: 44-276-64851

World Headquarters

Linear Technology Corporation
1630 McCarthy Blvd.
Milpitas, CA 95035-7487
Phone: (408) 432-1900
FAX: (408) 434-0507