

3.3V Low Power EIA/TIA-562 3-Driver/ 5-Receiver Transceiver

FEATURES

- Low Supply Current
- Receivers 4 and 5 Kept Alive in SHUTDOWN
- ESD Protection
- Operates from a Single 3.3V Supply
- Uses Small Capacitors
- Operates to 120k Baud
- Three-State Outputs are High Impedance When Off
- Output Overvoltage Does Not Force Current Back into Supplies
- EIA/TIA-562 I/O Lines Can Be Forced to $\pm 25V$ Without Damage
- Flowthrough Architecture

APPLICATIONS

- Notebook Computers
- Palmtop Computers

DESCRIPTION

300 μ A

The LTC1350 is a 3-driver/5-receiver EIA/TIA-562 transceiver with very low supply current. In the no load condition, the supply current is only 300 μ A. The charge pump only requires four 0.1 μ F capacitors.

**35 μ A
 $\pm 10kV$**

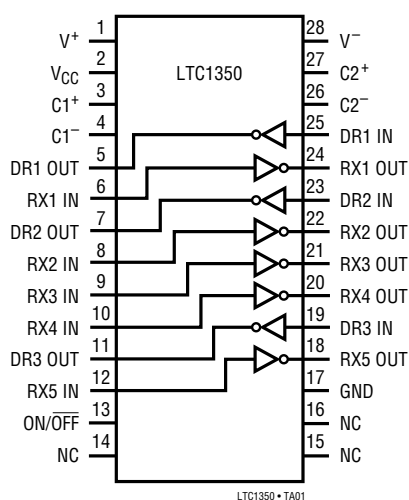
In SHUTDOWN mode, two receivers are kept alive and the supply current is only 35 μ A. All RS232 outputs assume a high impedance state in SHUTDOWN or with the power off.

0.1 μ F

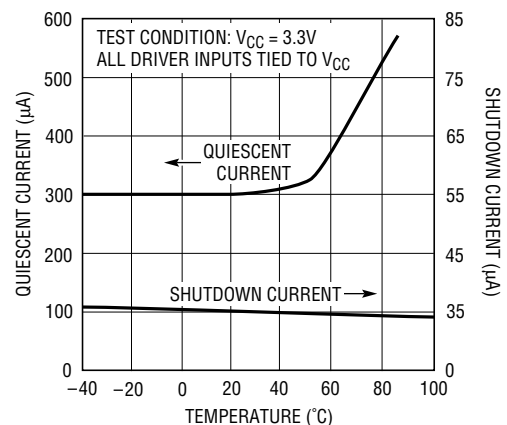
The LTC1350 is fully compliant with all data rate and overvoltage EIA/TIA-562 specifications. The transceiver can operate up to 120k baud with a 1000pF and 3k Ω load. Both driver outputs and receiver inputs can be forced to $\pm 25V$ without damage and can survive multiple $\pm 10kV$ ESD strikes.

TYPICAL APPLICATION

3-Drivers/5-Receivers with Shutdown



Quiescent and Shutdown Supply Current vs Temperature



LTC1350 • TA02

ABSOLUTE MAXIMUM RATINGS

Supply Voltage (V_{CC}) 5V

Input Voltage

Driver $-0.3V$ to $V_{CC} + 0.3V$

Receiver $-25V$ to $25V$

ON/OFF Pin $-0.3V$ to $V_{CC} + 0.3V$

Output Voltage

Driver $-25V$ to $25V$

Receiver $-0.3V$ to $V_{CC} + 0.3V$

Short-Circuit Duration

V^+ 30 sec

V^- 30 sec

Driver Output Indefinite

Receiver Output Indefinite

Operating Temperature Range

Commercial (LTC1350C) $0^\circ C$ to $70^\circ C$

Industrial (LTC1350I) $-40^\circ C$ to $85^\circ C$

Storage Temperature Range $-65^\circ C$ to $150^\circ C$

Lead Temperature (Soldering, 10 sec) $300^\circ C$

PACKAGE/ORDER INFORMATION

TOP VIEW

G PACKAGE N PACKAGE
 28-LEAD SSOP 28-LEAD PLASTIC DIP
 S PACKAGE
 28-LEAD PLASTIC SOL

$T_{JMAX} = 125^\circ C, \theta_{JA} = 96^\circ C/W$ (G)
 $T_{JMAX} = 125^\circ C, \theta_{JA} = 56^\circ C/W$ (N)
 $T_{JMAX} = 125^\circ C, \theta_{JA} = 85^\circ C/W$ (S)

ORDER PART NUMBER

LTC1350CG
 LTC1350CN
 LTC1350CS
 LTC1350IG
 LTC1350IN
 LTC1350IS

Consult factory for Military grade parts

DC ELECTRICAL CHARACTERISTICS

$V_{CC} = 3.3V, C1 = C2 = C3 = C4 = 0.1\mu F$, unless otherwise noted.

PARAMETER	CONDITIONS	MIN	TYP	MAX	UNITS	
Any Driver						
Output Voltage Swing	3k to GND	Positive Negative	3.7 -3.7	4.5 -4.5	V V	
Logic Input Voltage Level	Input Low Level ($V_{OUT} = \text{High}$) Input High Level ($V_{OUT} = \text{Low}$)		1.4 2.0	0.8 1.4	V V	
Logic Input Current	$V_{IN} = V_{CC}$ $V_{IN} = 0V$			5 -5	μA μA	
Output Short-Circuit Current	$V_{OUT} = 0V$		± 10		mA	
Output Leakage Current	SHUTDOWN (Note 3), $V_{OUT} = \pm 20V$		10	500	μA	
Any Receiver						
Input Voltage Thresholds	Input Low Threshold Input High Threshold		0.8 1.7	1.3 2.4	V V	
Hysteresis			0.1	0.4	1	V
Input Resistance	$V_{IN} = \pm 10V$		3	5	7	k Ω
Output Voltage	Output Low, $I_{OUT} = -1.6mA$ ($V_{CC} = 3.3V$) Output High, $I_{OUT} = 160\mu A$ ($V_{CC} = 3.3V$)		3.0	0.2 3.2	0.4	V V
Output Short-Circuit Current	Sinking Current, $V_{OUT} = V_{CC}$		-3	-20		mA
Output Leakage Current	SHUTDOWN (Note 3), $0V \leq V_{OUT} \leq V_{CC}$			1	10	μA

DC ELECTRICAL CHARACTERISTICS $V_{CC} = 3.3V$, $C1 = C2 = C3 = C4 = 0.1\mu F$, unless otherwise noted.

PARAMETER	CONDITIONS	MIN	TYP	MAX	UNITS
Power Supply Generator					
V ⁺ Output Voltage	I _{OUT} = 0mA		5.7		V
	I _{OUT} = 5mA		5.5		V
V ⁻ Output Voltage	I _{OUT} = 0mA		-5.3		V
	I _{OUT} = -5mA		-5.0		V
Supply Rise Time	SHUTDOWN to Turn-On		0.2		ms
Power Supply					
V _{CC} Supply Current	No Load (All Drivers V _{IN} = V _{CC})(Note 2) 0°C ≤ T _A ≤ 70°C	●	0.3	0.6	mA
	No Load (All Drivers V _{IN} = 0)(Note 2) 0°C ≤ T _A ≤ 70°C	●	0.5	1.0	mA
	No Load (All Drivers V _{IN} = V _{CC})(Note 2) -40°C ≤ T _A ≤ 85°C	●	0.3	1.0	mA
	No Load (All Drivers V _{IN} = 0)(Note 2) -40°C ≤ T _A ≤ 85°C	●	0.5	1.5	mA
	SHUTDOWN (Note 3)	●	35	50	μA
ON/ $\overline{\text{OFF}}$ Threshold Low		●	1.4	0.8	V
ON/ $\overline{\text{OFF}}$ Threshold High		●	2.0	1.4	V

AC CHARACTERISTICS $V_{CC} = 5V$, $C1 = C2 = C3 = C4 = 0.1\mu F$, unless otherwise noted.

PARAMETER	CONDITIONS	MIN	TYP	MAX	UNITS
Slew Rate	R _L = 3k, C _L = 51pF		8	30	V/μs
	R _L = 3k, C _L = 1000pF	3	5		V/μs
Driver Propagation Delay (TTL to EIA/TIA-562)	t _{HLD} (Figure 1)	●	2	3.5	μs
	t _{LHD} (Figure 1)	●	2	3.5	μs
Receiver Propagation Delay (EIA/TIA-562 to TTL)	t _{HLR} (Figure 2)	●	0.3	0.8	μs
	t _{LHR} (Figure 2)	●	0.3	0.8	μs

The ● denotes specifications which apply over the operating temperature range of 0°C ≤ T_A ≤ 70°C for commercial grade, -40°C ≤ T_A ≤ 85°C for Industrial grade.

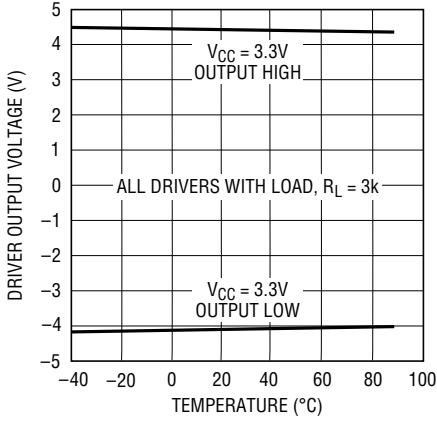
Note 1: Absolute maximum ratings are those values beyond which the life of the device may be impaired.

Note 2: Supply current is measured with driver and receiver outputs unloaded.

Note 3: Supply current measurement in SHUTDOWN mode is performed with V_{ON/ $\overline{\text{OFF}}$} = 0V.

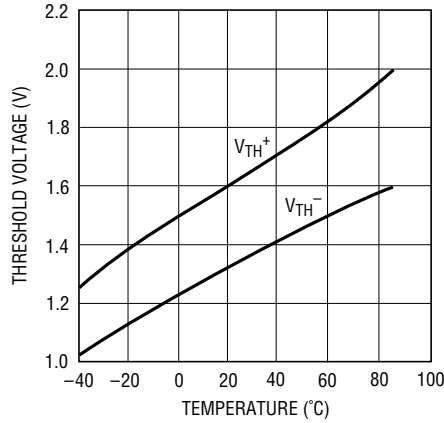
TYPICAL PERFORMANCE CHARACTERISTICS

Driver Output Voltage vs Temperature



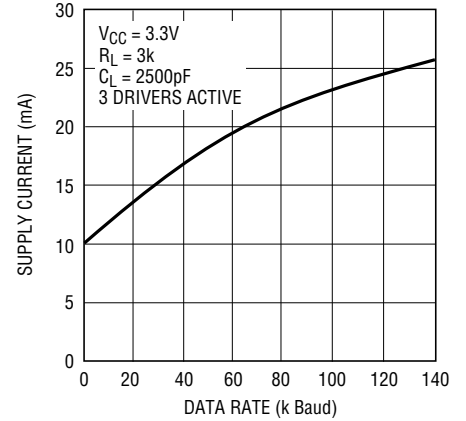
LTC1350 • TPC01

Receiver Input Thresholds vs Temperature



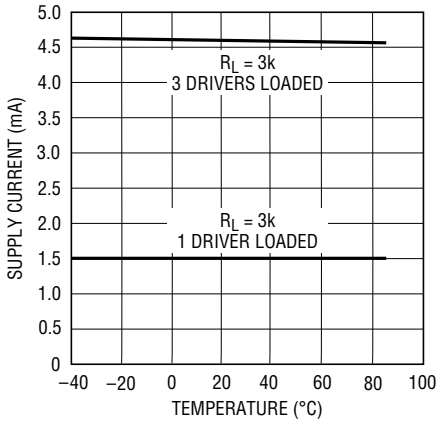
LT1350 • TPC02

Supply Current vs Data Rate



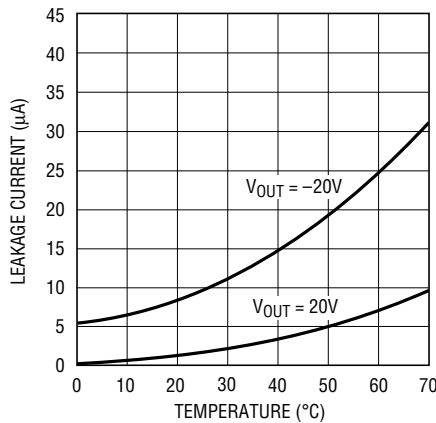
LTC1350 • TPC03

VCC Supply Current vs Temperature



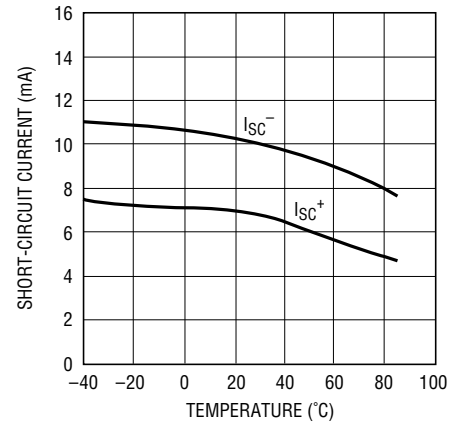
LTC1350 • TPC04

Driver Leakage in Shutdown vs Temperature



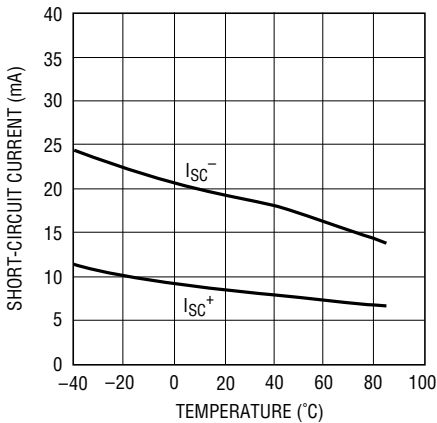
LTC1350 • TPC05

Driver Short-Circuit Current vs Temperature



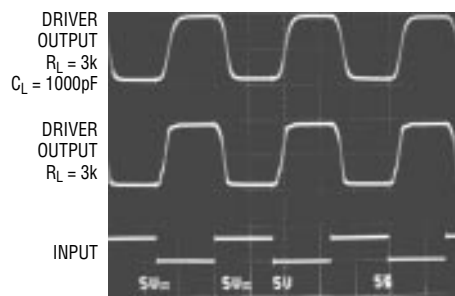
LTC1350 • TPC06

Receiver Short-Circuit Current vs Temperature



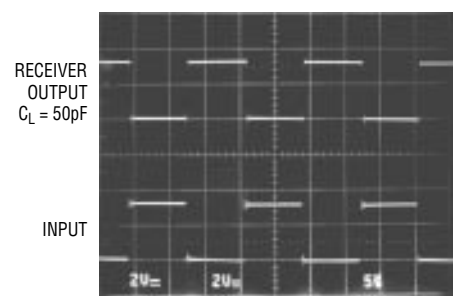
LTC1350 • TPC07

Driver Output Waveforms



LTC1350 • TPC08

Receiver Output Waveform



LTC1350 • TPC09

PIN FUNCTIONS

V_{CC}: 3.3V Input Supply Pin. Supply current is typically 35 μ A in the SHUTDOWN mode. This pin should be decoupled with a 0.1 μ F ceramic capacitor.

GND: Ground Pin.

ON/OFF: TTL/CMOS Compatible Shutdown Pin. A logic low puts the device in the SHUTDOWN mode with receivers 4 and 5 kept alive and the supply current equal to 35 μ A. All driver and other receiver outputs are in high impedance state. This pin cannot float.

V⁺: Positive Supply Output. $V^+ \cong 2V_{CC} - 1V$. This pin requires an external capacitor ($C = 0.1\mu F$) for charge storage. The capacitor may be tied to ground or V_{CC} . With multiple devices, the V^+ and V^- pins may be paralleled into common capacitors. For a large number of devices, increasing the size of the shared common storage capacitors is recommended to reduce ripple.

V⁻: Negative Supply Output. $V^- \cong -(2V_{CC} - 1.3V)$. This pin requires an external capacitor ($C = 0.1\mu F$) for charge storage.

C1⁺, C1⁻, C2⁺, C2⁻: Commutating Capacitor Inputs. These pins require two external capacitors ($C = 0.1\mu F$): one from C1⁺ to C1⁻ and another from C2⁺ to C2⁻. To maintain charge pump efficiency, the capacitor's effective series resistance should be less than 20 Ω .

DR IN: EIA/TIA-562 Driver Input Pins. Inputs are TTL/CMOS compatible. Inputs should not be allowed to float. Tie unused inputs to V_{CC} .

DR OUT: Driver Outputs at EIA/TIA-562 Voltage Levels. Outputs are in a high impedance state when in the SHUTDOWN mode or $V_{CC} = 0V$. The driver outputs are protected against ESD to $\pm 10kV$ for human body model discharges.

RX IN: Receiver Inputs. These pins can be forced to $\pm 25V$ without damage. The receiver inputs are protected against ESD to $\pm 10kV$ for human body model discharges. Each receiver provides 0.4V of hysteresis for noise immunity.

RX OUT: Receiver Outputs with TTL/CMOS Voltage Levels. Receiver 1, 2 and 3 outputs are in a high impedance state when in SHUTDOWN mode to allow data line sharing. Receivers 4 and 5 are kept alive in SHUTDOWN.

SWITCHING TIME WAVEFORMS

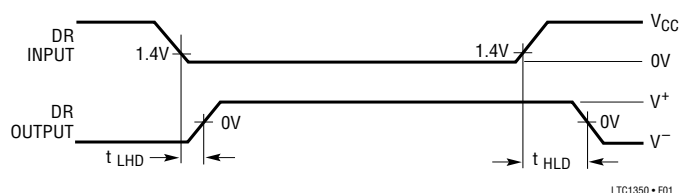


Figure 1. Driver Propagation Delay Timing

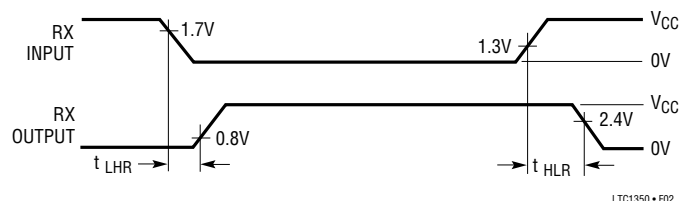
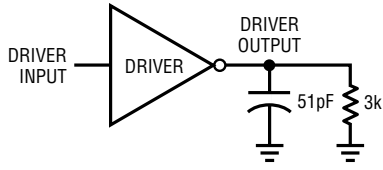


Figure 2. Receiver Propagation Delay Timing

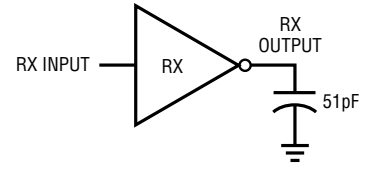
TEST CIRCUITS

Driver Timing Test Load



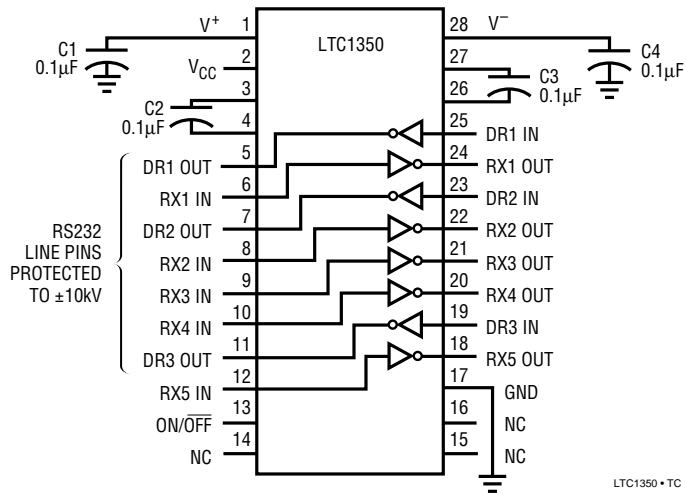
LTC1350 • TA03

Receiver Timing Test Load



LTC1350 • TA04

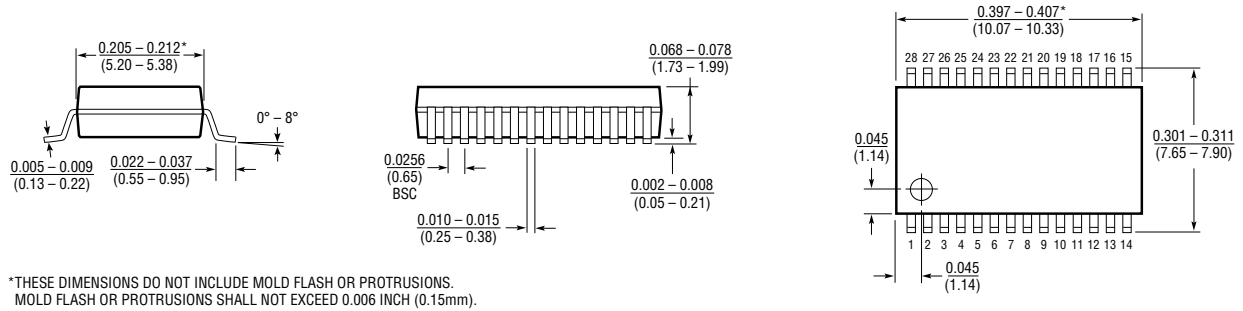
ESD Test Circuit



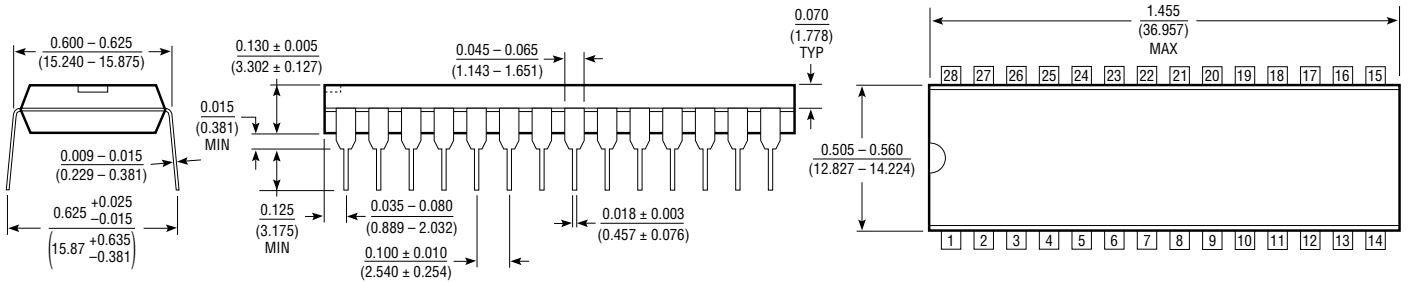
LTC1350 • TC

PACKAGE DESCRIPTION Dimensions in inches (millimeters) unless otherwise noted.

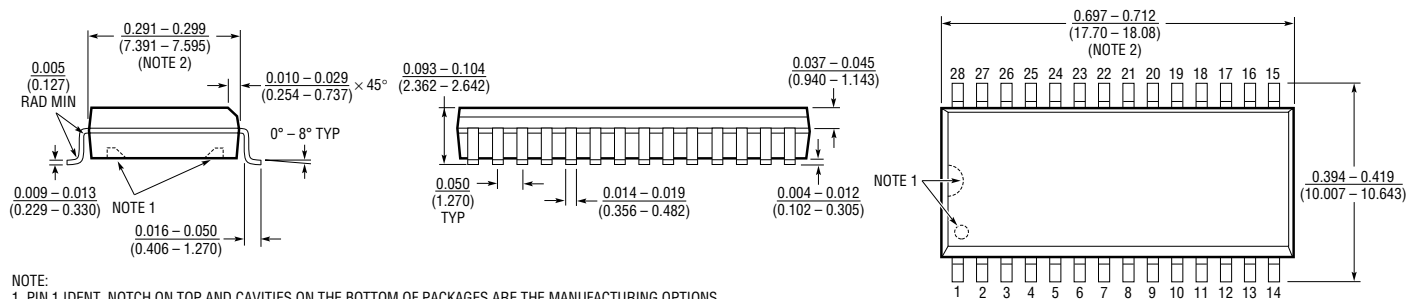
**G Package
28-Lead SSOP**



**N Package
28-Lead Plastic DIP**



**S Package
28-Lead Plastic SOL**



- NOTE:
1. PIN 1 IDENT, NOTCH ON TOP AND CAVITIES ON THE BOTTOM OF PACKAGES ARE THE MANUFACTURING OPTIONS. THE PART MAY BE SUPPLIED WITH OR WITHOUT ANY OF THE OPTIONS.
2. THESE DIMENSIONS DO NOT INCLUDE MOLD FLASH OR PROTRUSIONS. MOLD FLASH OR PROTRUSIONS SHALL NOT EXCEED 0.006 INCH (0.15mm).

U.S. Area Sales Offices**NORTHEAST REGION**

Linear Technology Corporation
 One Oxford Valley
 2300 E. Lincoln Hwy., Suite 306
 Langhorne, PA 19047
 Phone: (215) 757-8578
 FAX: (215) 757-5631

Linear Technology Corporation

266 Lowell St., Suite B-8
 Wilmington, MA 01887
 Phone: (508) 658-3881
 FAX: (508) 658-2701

SOUTHEAST REGION

Linear Technology Corporation
 17060 Dallas Parkway
 Suite 208
 Dallas, TX 75248
 Phone: (214) 733-3071
 FAX: (214) 380-5138

CENTRAL REGION

Linear Technology Corporation
 Chesapeake Square
 229 Mitchell Court, Suite A-25
 Addison, IL 60101
 Phone: (708) 620-6910
 FAX: (708) 620-6977

SOUTHWEST REGION

Linear Technology Corporation
 22141 Ventura Blvd.
 Suite 206
 Woodland Hills, CA 91364
 Phone: (818) 703-0835
 FAX: (818) 703-0517

NORTHWEST REGION

Linear Technology Corporation
 782 Sycamore Dr.
 Milpitas, CA 95035
 Phone: (408) 428-2050
 FAX: (408) 432-6331

International Sales Offices**FRANCE**

Linear Technology S.A.R.L.
 Immeuble "Le Quartz"
 58 Chemin de la Justice
 92290 Chatenay Malabry
 France
 Phone: 33-1-41079555
 FAX: 33-1-46314613

GERMANY

Linear Technology GMBH
 Untere Hauptstr. 9
 D-85386 Eching
 Germany
 Phone: 49-89-3197410
 FAX: 49-89-3194821

JAPAN

Linear Technology KK
 5F YZ Bldg.
 4-4-12 Iidabashi, Chiyoda-Ku
 Tokyo, 102 Japan
 Phone: 81-3-3237-7891
 FAX: 81-3-3237-8010

KOREA

Linear Technology Korea Branch
 Namsong Building, #505
 Itaewon-Dong 260-199
 Yongsan-Ku, Seoul
 Korea
 Phone: 82-2-792-1617
 FAX: 82-2-792-1619

SINGAPORE

Linear Technology Pte. Ltd.
 101 Boon Keng Road
 #02-15 Kallang Ind. Estates
 Singapore 1233
 Phone: 65-293-5322
 FAX: 65-292-0398

TAIWAN

Linear Technology Corporation
 Rm. 801, No. 46, Sec. 2
 Chung Shan N. Rd.
 Taipei, Taiwan, R.O.C.
 Phone: 886-2-521-7575
 FAX: 886-2-562-2285

UNITED KINGDOM

Linear Technology (UK) Ltd.
 The Coliseum, Riverside Way
 Camberley, Surrey GU15 3YL
 United Kingdom
 Phone: 44-276-677676
 FAX: 44-276-64851

World Headquarters

Linear Technology Corporation
 1630 McCarthy Blvd.
 Milpitas, CA 95035-7487
 Phone: (408) 432-1900
 FAX: (408) 434-0507

08/16/93