

15V, 5A Synchronous Step-Down Regulator

FEATURES

- High Efficiency: Up to 96%
- 5A Output Current
- 4V to 15V V_{IN} Range
- Integrated Power N-Channel MOSFETs (70m Ω Top and 35m Ω Bottom)
- Adjustable Frequency 800kHz to 4MHz
- PolyPhase[®] Operation (Up to 12 Phases)
- Output Tracking
- 0.6V \pm 1% Reference Accuracy
- Current Mode Operation for Excellent Line and Load Transient Response
- Shutdown Mode Draws Less Than 15 μ A Supply Current
- Available in 24-Pin (4mm \times 4mm) QFN Package
- AEC-Q100 Qualified for Automotive Applications

APPLICATIONS

- Point of Load Power Supply
- Portable Instruments
- Distributed Power Systems
- Battery-Powered Equipment

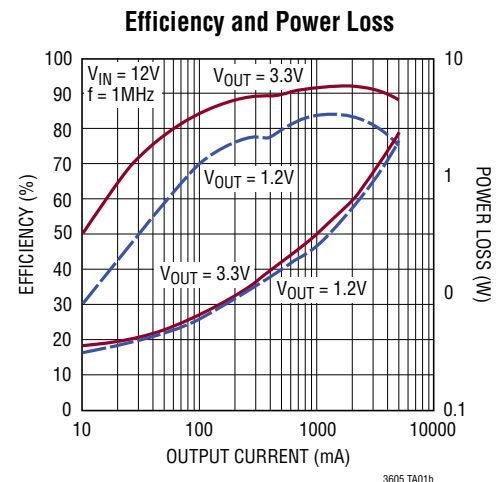
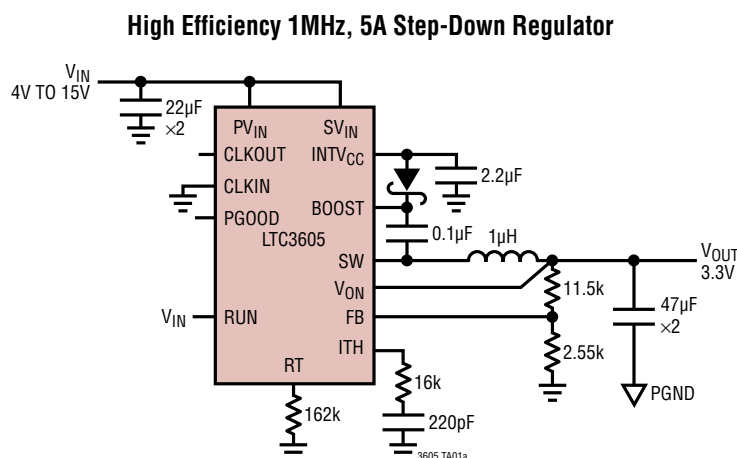
DESCRIPTION

The LTC[®]3605 is a high efficiency, monolithic synchronous buck regulator using a phase lockable controlled on-time constant frequency, current mode architecture. PolyPhase operation allows multiple LTC3605 regulators to run out of phase while using minimal input and output capacitance. The operating supply voltage range is from 15V down to 4V, making it suitable for dual lithium-ion battery inputs as well as point of load power supply applications from a 12V or 5V rail.

The operating frequency is programmable from 800kHz to 4MHz with an external resistor. The high frequency capability allows the use of small surface mount inductors. For switching noise sensitive applications, it can be externally synchronized from 800kHz to 4MHz. The PHMODE pin allows user control of the phase of the outgoing clock signal. The unique constant frequency/controlled on-time architecture is ideal for high step-down ratio applications that are operating at high frequency while demanding fast transient response. Two internal phase-lock loops synchronize the internal oscillator to the external clock and also servos the regulator on-time to lock on to either the internal clock or the external clock if it's present.

All registered trademarks and trademarks are the property of their respective owners. Protected by U.S. patents, including 5481178, 5847554, 6580258, 6304066, 6476589, 6774611.

TYPICAL APPLICATION



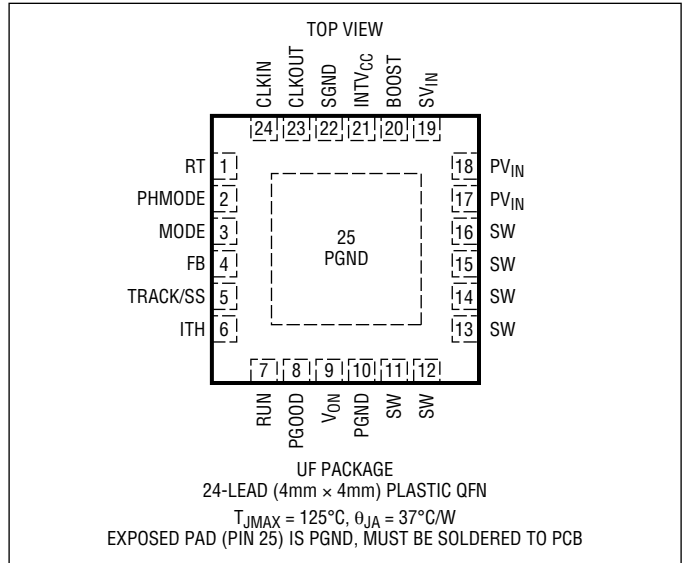
LTC3605

ABSOLUTE MAXIMUM RATINGS

(Note 1)

PV _{IN} , SV _{IN} , SW Voltage.....	-0.3V to 15V
SW Transient Voltage.....	-2V to 17.5V
BOOST Voltage	-0.3V to PV _{IN} + INTV _{CC}
RUN Voltage.....	-0.3V to 15V
V _{ON} Voltage.....	-0.3V to SV _{IN}
INTV _{CC} Voltage	-0.3V to 3.6V
ITH, RT, CLKOUT, PGOOD Voltage	-0.3V to INTV _{CC}
CLKIN, PHMODE, MODE Voltage	-0.3V to INTV _{CC}
TRACK/SS, FB Voltage.....	-0.3V to INTV _{CC}
Operating Temperature Range (Note 2) ..	-40°C to 125°C
Junction Temperature (Note 5)	125°C
Storage Temperature Range	-65°C to 125°C

PIN CONFIGURATION



ORDER INFORMATION

LEAD FREE FINISH	TAPE AND REEL	PART MARKING*	PACKAGE DESCRIPTION	TEMPERATURE RANGE
LTC3605EUF#PBF	LTC3605EUF#TRPBF	3605	24-Lead (4mm × 4mm) Plastic QFN	-40°C to 85°C
LTC3605IUF#PBF	LTC3605IUF#TRPBF	3605	24-Lead (4mm × 4mm) Plastic QFN	-40°C to 125°C

AUTOMOTIVE PRODUCTS**

LTC3605EUF#WPBF	LTC3605EUF#WTRPBF	3605	24-Lead (4mm × 4mm) Plastic QFN	-40°C to 85°C
LTC3605IUF#WPBF	LTC3605IUF#WTRPBF	3605	24-Lead (4mm × 4mm) Plastic QFN	-40°C to 125°C

Contact the factory for parts specified with wider operating temperature ranges. *The temperature grade is identified by a label on the shipping container.

Tape and reel specifications. Some packages are available in 500 unit reels through designated sales channels with #TRMPBF suffix.

**Versions of this part are available with controlled manufacturing to support the quality and reliability requirements of automotive applications. These models are designated with a #W suffix. Only the automotive grade products shown are available for use in automotive applications. Contact your local Analog Devices account representative for specific product ordering information and to obtain the specific Automotive Reliability reports for these models.

ELECTRICAL CHARACTERISTICS

The ● denotes the specifications which apply over the full operating temperature range, otherwise specifications are at $T_A = 25^\circ\text{C}$.

SYMBOL	PARAMETER	CONDITIONS	MIN	TYP	MAX	UNITS	
V_{IN}	V_{IN} Supply Range		4		15	V	
I_Q	Input DC Supply Current Active Shutdown	(Note 3) Mode = 0, $R_T = 162k$ $V_{IN} = 12V$, RUN = 0		2 11	5 40	mA μA	
V_{FB}	Feedback Reference Voltage	ITH = 1.2V (Note 4) -40°C to 85°C ITH = 1.2V (Note 4) -40°C to 125°C	● ●	0.594 0.600	0.606 0.608	V V	
$\Delta V_{FB(LINE)}$	Feedback Voltage Line Regulation	$V_{IN} = 4V$ to $15V$, ITH = 1.2V, -40°C to 85°C $V_{IN} = 4V$ to $15V$, ITH = 1.2V, -40°C to 125°C	● ●	0.001 0.04	0.02 0.1	%/V %/V	
$\Delta V_{FB(LOAD)}$	Feedback Voltage Load Regulation	ITH = 0.8V to 1.6V, -40°C to 85°C ITH = 0.8V to 1.6V, -40°C to 125°C	● ●	0.1 0.1	0.2 0.3	% %	
I_{FB}	Feedback Pin Input Current				± 30	nA	
g_m (EA)	Error Amplifier Transconductance	ITH = 1.2V	1.15	1.35	1.6	mS	
$t_{ON(MIN)}$	Minimum On-Time			40		ns	
$t_{OFF(MIN)}$	Minimum Off-Time			70		ns	
I_{LIM}	Positive Inductor Valley Current Limit Negative Inductor Valley Current Limit	$V_{FB} = 0.57V$	5	6 -5	7.5	A A	
R_{TOP}	Top Power NMOS On-Resistance	INTV _{CC} = 3.3V		70	150	m Ω	
R_{BOTTOM}	Bottom Power NMOS On-Resistance	INTV _{CC} = 3.3V		35	55	m Ω	
V_{UVLO}	INTV _{CC} Undervoltage Lockout Threshold	INTV _{CC} Falling INTV _{CC} Hysteresis (Rising)	2.4	2.6 0.25	2.8	V V	
V_{RUN}	Run Threshold 2 ($I_Q = 2mA$) Run Threshold 1 ($I_Q = 400\mu A$)	RUN Rising RUN Rising	1.2 0.45	1.25 0.6	1.3 0.75	V V	
V_{INTVCC}	Internal V_{CC} Voltage	$4V < V_{IN} < 15V$	3.2	3.3	3.4	V	
ΔV_{INTVCC}	INTV _{CC} Load Regulation	$I_{LOAD} = 0mA$ to $20mA$		0.5		%	
OV	Output Overvoltage PGOOD Upper Threshold	V_{FB} Rising	7	10	13	%	
UV	Output Undervoltage PGOOD Lower Threshold	V_{FB} Falling	-13	-10	-7	%	
$\Delta V_{FB(HYS)}$	PGOOD Hysteresis	V_{FB} Returning		1.5		%	
R_{PGOOD}	PGOOD Pull-Down Resistance	1mA Load		12	25	Ω	
I_{PGOOD}	PGOOD Leakage	$0.54V < V_{FB} < 0.66V$			2	μA	
$I_{TRACK/SS}$	TRACK Pull-Up Current			2.5	4	μA	
f_{OSC}	Oscillator Frequency	$R_T = 162k$	●	0.85	1	1.2	MHz
CLKIN	CLKIN Threshold			0.7		V	

Note 1: Stresses beyond those listed under Absolute Maximum Ratings may cause permanent damage to the device. Exposure to any Absolute Maximum Rating condition for extended periods may affect device reliability and lifetime. Absolute Maximum Ratings are those values beyond which the life of a device may be impaired.

Note 2: The LTC3605E is guaranteed to meet performance specifications from 0°C to 85°C . Specifications over the -40°C to 85°C operating temperature range are assured by design, characterization and correlation with statistical process controls. The LTC3605I is guaranteed over the full -40°C to 125°C operating temperature range.

Note 3: Dynamic supply current is higher due to the internal gate charge being delivered at the switching frequency.

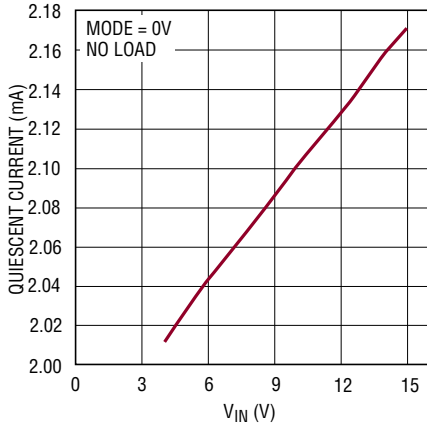
Note 4: The LTC3605 is tested in a feedback loop that adjusts V_{FB} to achieve a specified error amplifier output voltage (ITH).

Note 5: T_J is calculated from the ambient temperature T_A and power dissipation as follows: $T_J = T_A + P_D \cdot (37^\circ\text{C/W})$. See Thermal Considerations section.

Note 6: This IC includes overtemperature protection that is intended to protect the device during momentary overload conditions. Junction temperature will exceed 125°C when overtemperature protection is active. Continuous operation above the specified maximum operating junction temperature may impair device reliability.

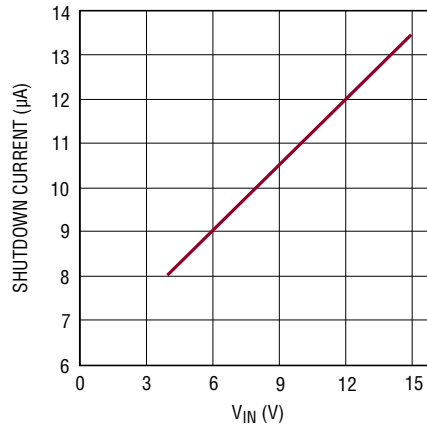
TYPICAL PERFORMANCE CHARACTERISTICS $T_A = 25^\circ\text{C}$ unless otherwise specified.

Quiescent Current vs V_{IN}



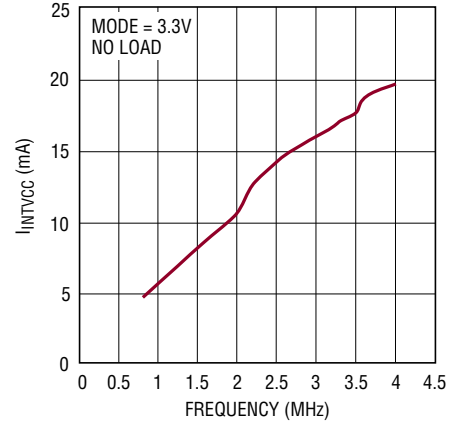
3605 G01

Shutdown Current vs V_{IN}



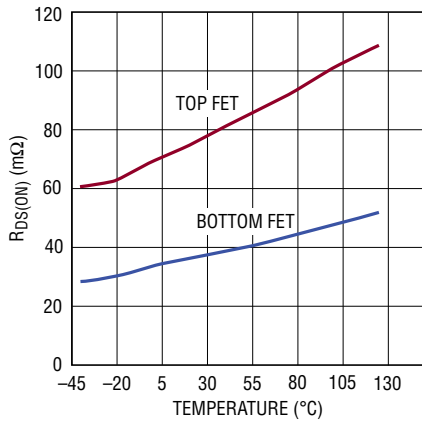
3605 G02

I_{INTVCC} Current vs Frequency



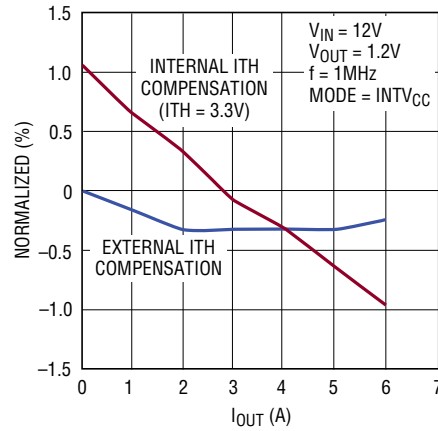
3605 G03

$R_{DS(ON)}$ vs Temperature



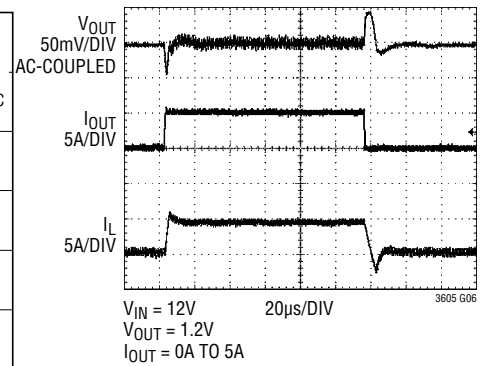
3605 G04

Load Regulation



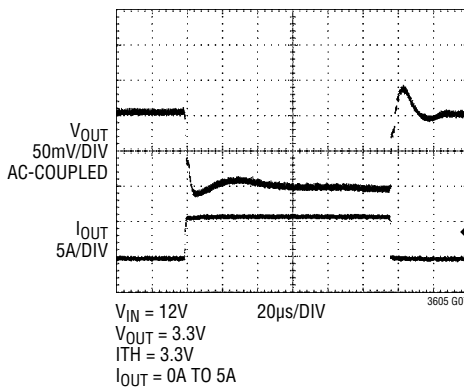
3605 G05

Load Step (External ITH Compensation)



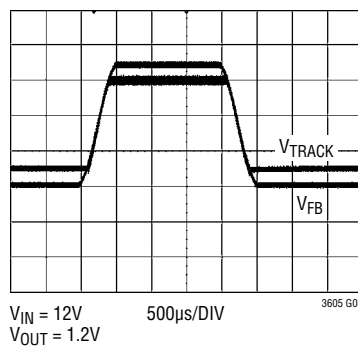
3605 G06

Load Step (Internal ITH Compensation)



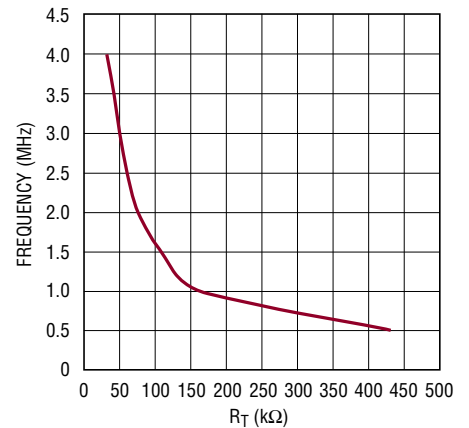
3605 G07

Output Tracking



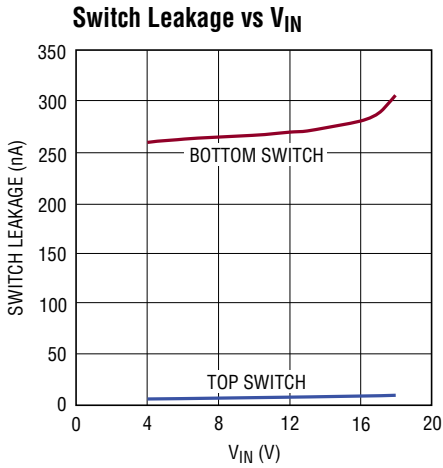
3605 G08

Switching Frequency vs R_T

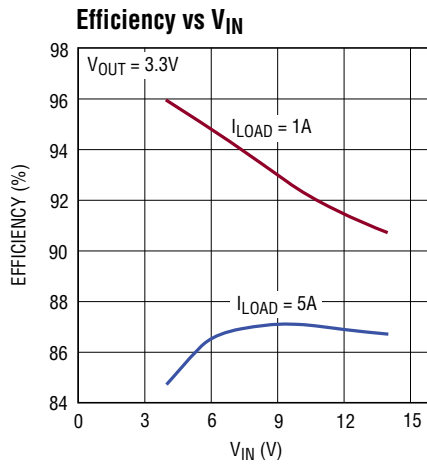


3605 G09

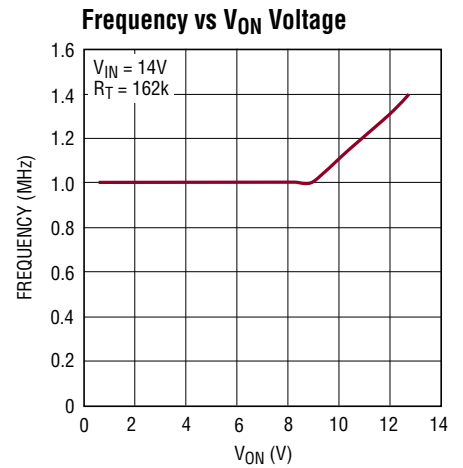
TYPICAL PERFORMANCE CHARACTERISTICS $T_A = 25^\circ\text{C}$ unless otherwise specified.



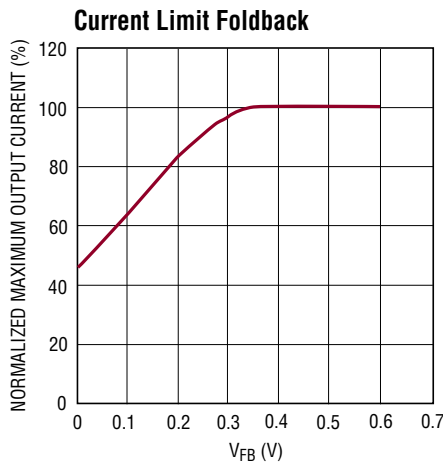
3605 G10



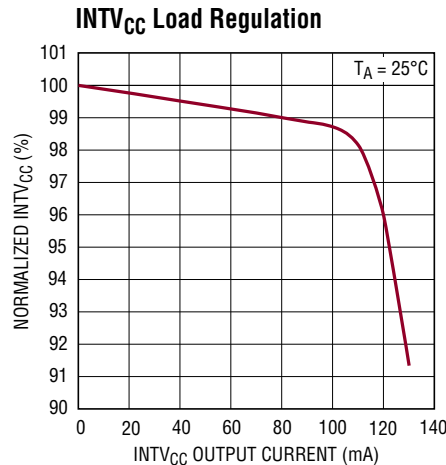
3605 G11



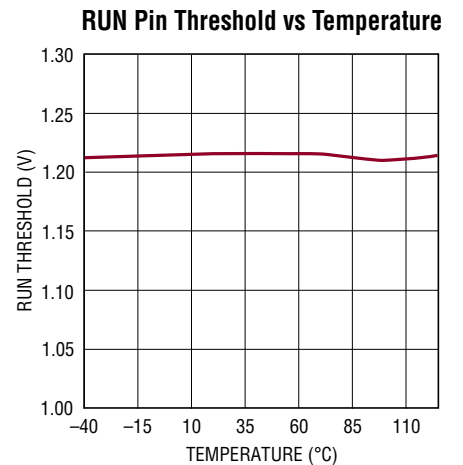
3605 G12



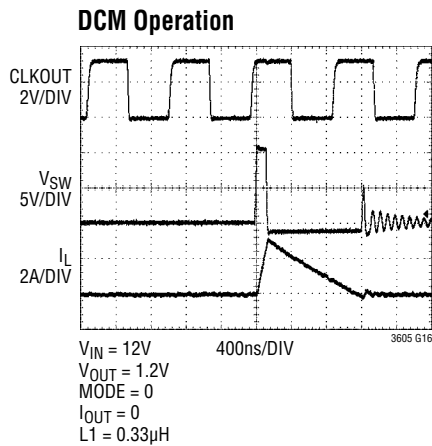
3605 G13



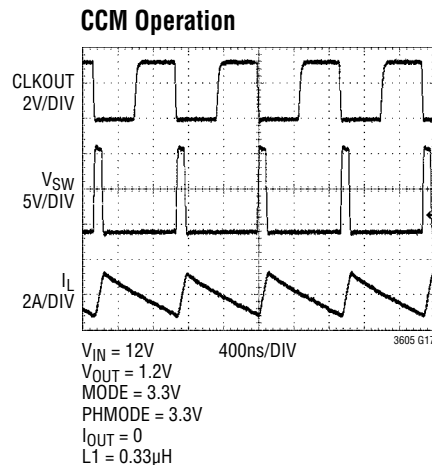
3605 G14



3605 G15



3605 G16



3605 G17

PIN FUNCTIONS

RT (Pin 1): Oscillator Frequency Programming Pin. Connect an external resistor (between 200k to 40k) from RT to SGND to program the frequency from 800kHz to 4MHz. Since the synchronization range is $\pm 30\%$ of set frequency, be sure that the set frequency is within this percentage range of the external clock to ensure frequency lock.

PHMODE (Pin 2): Control Input to Phase Selector. Determines the phase relationship between internal oscillator and CLKOUT. Tie it to INTV_{CC} for 2-phase operation, tie it to SGND for 3-phase operation, and tie it to INTV_{CC}/2 for 4-phase operation.

MODE (Pin 3): Operation Mode Select. Tie this pin to INTV_{CC} to force continuous synchronous operation at all output loads. Tying it to SGND enables discontinuous mode operation at light loads. Do not float this pin.

FB (Pin 4): Output Feedback Voltage. Input to the error amplifier that compares the feedback voltage to the internal 0.6V reference voltage. This pin is normally connected to a resistive divider from the output voltage.

TRACK/SS (Pin 5): Output Tracking and Soft-Start Pin. Allows the user to control the rise time of the output voltage. Putting a voltage below 0.6V on this pin bypasses the internal reference input to the error amplifier, instead it servos the FB pin to the TRACK voltage. Above 0.6V, the tracking function stops and the internal reference resumes control of the error amplifier. There's an internal 2 μ A pull-up current from INTV_{CC} on this pin, so putting a capacitor here provides soft-start function.

ITH (Pin 6): Error Amplifier Output and Switching Regulator Compensation Point. The current comparator's trip threshold is linearly proportional to this voltage, whose normal range is from 0.3V to 1.8V. Tying this pin to INTV_{CC} activates internal compensation and output voltage positioning, raising V_{OUT} to 1.5% higher than the nominal value at I_{OUT} = 0 and 1.5% lower at I_{OUT} = 5A.

RUN (Pin 7): Run Control Input. Enables chip operation by tying RUN above 1.2V. Tying it below 1.1V shuts down the part.

PGOOD (Pin 8): Output Power Good with Open-Drain Logic. PGOOD is pulled to ground when the voltage on the FB pin is not within $\pm 10\%$ of the internal 0.6V reference.

V_{ON} (Pin 9): On-Time Voltage Input. Voltage trip point for the on-time comparator. Tying this pin to the output voltage makes the on-time proportional to V_{OUT} and keeps the switching frequency constant at different V_{OUT}. However, when V_{ON} is <0.6V or >6V, then switching frequency will no longer remain constant.

PGND (Pin 10, Exposed Pad Pin 25): Power Ground. Return path of internal power MOSFETs. Connect this pin to the negative terminals of the input capacitor and output capacitor. The exposed pad must be soldered to the PCB ground for electrical contact and rated thermal performance.

SW (Pins 11 to 16): Switch Node Connection to External Inductor. Voltage swing of SW is from a diode voltage drop below ground to PV_{IN}.

PV_{IN} (Pins 17, 18): Power V_{IN}. Input voltage to the on-chip power MOSFETs.

SV_{IN} (Pin 19): Signal V_{IN}. Filtered input voltage to the on-chip 3.3V regulator. Connect a (1 Ω to 10 Ω) resistor between SV_{IN} and PV_{IN} and bypass to GND with a 0.1 μ F capacitor.

BOOST (Pin 20): Boosted Floating Driver Supply for Internal Top Power MOSFET. The (+) terminal of the bootstrap capacitor connects here. This pin swings from a diode voltage drop below INTV_{CC} up to PV_{IN} + INTV_{CC}.

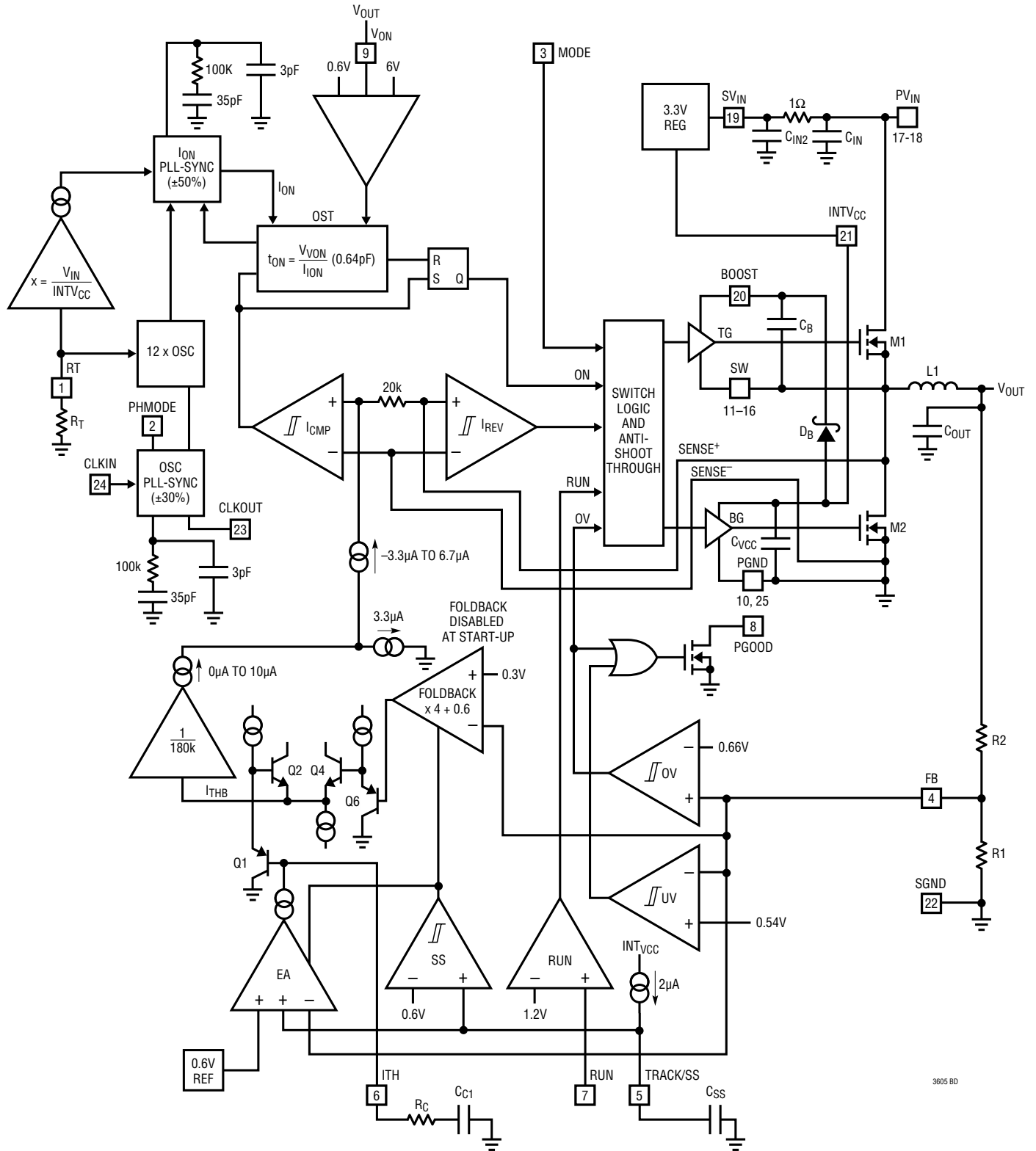
INTV_{CC} (Pin 21): Internal 3.3V Regulator Output. The internal power drivers and control circuits are powered from this voltage. Decouple this pin to power ground with a minimum of 1 μ F low ESR ceramic capacitor.

SGND (Pin 22): Signal Ground Connection.

CLKOUT (Pin 23): Output Clock Signal for PolyPhase Operation. The phase of CLKOUT with respect to CLKIN is determined by the state of the PHMODE pin. CLKOUT's peak-to-peak amplitude is INTV_{CC} to GND.

CLKIN (Pin 24): External Synchronization Input to Phase Detector. This pin is internally terminated to SGND with 20k. The phase-locked loop will force the top power NMOS's turn on signal to be synchronized with the rising edge of the CLKIN signal.

BLOCK DIAGRAM



3605 BD

OPERATION

Main Control Loop

The LTC3605 is a current mode monolithic step-down regulator. In normal operation, the internal top power MOSFET is turned on for a fixed interval determined by a one-shot timer, OST. When the top power MOSFET turns off, the bottom power MOSFET turns on until the current comparator, I_{CMP} , trips, restarting the one-shot timer and initiating the next cycle. Inductor current is determined by sensing the voltage drop across the bottom power MOSFET's VDS. The voltage on the ITH pin sets the comparator threshold corresponding to the inductor valley current. The error amplifier, EA, adjusts this ITH voltage by comparing the feedback signal, V_{FB} , from the output voltage with that of an internal 0.6V reference. If the load current increases, it causes a drop in the feedback voltage relative to the internal reference. The ITH voltage then rises until the average inductor current matches that of the load current.

At low load current, the inductor current can drop to zero and become negative. This is detected by current reversal comparator, I_{REV} , which then shuts off the bottom power MOSFET, resulting in discontinuous operation. Both power MOSFETs will remain off with the output capacitor supplying the load current until the ITH voltage rises above the zero current level (0.6V) to initiate another cycle. Discontinuous mode operation is disabled by tying the MODE pin to $INTV_{CC}$, which forces continuous synchronous operation regardless of output load.

The operating frequency is determined by the value of the R_T resistor, which programs the current for the internal oscillator. An internal phase-lock loop servos the oscillator frequency to an external clock signal if one is present on the CLKIN pin. Another internal phase-lock loop servos the switching regulator on-time to track the internal oscillator to force constant switching frequency.

Overvoltage and undervoltage comparators OV and UV pull the PGOOD output low if the output feedback voltage, V_{FB} , exits a $\pm 10\%$ window around the regulation

point. Continuous operation is forced during OV and UV condition except during start-up when the TRACK pin is ramping up to 0.6V.

Foldback current limiting is provided if the output is shorted to ground. As V_{FB} drops to zero, the maximum sense voltage allowed across the bottom power MOSFET is lowered to approximately 40% of the original value to reduce the inductor valley current.

Pulling the RUN pin to ground forces the LTC3605 into its shutdown state, turning off both power MOSFETs and most of its internal control circuitry. Bringing the RUN pin above 0.7V turns on the internal reference only, while still keeping the power MOSFETs off. Further increasing the RUN voltage above 1.2V turns on the entire chip.

$INTV_{CC}$ Regulator

An internal low dropout (LDO) regulator produces the 3.3V supply that powers the drivers and the internal bias circuitry. The $INTV_{CC}$ can supply up to 100mA RMS and must be bypassed to ground with a minimum of 1 μ F ceramic capacitor. Good bypassing is necessary to supply the high transient currents required by the power MOSFET gate drivers. Applications with high input voltage and high switching frequency will increase die temperature because of the higher power dissipation across the LDO. Connecting a load to the $INTV_{CC}$ pin is not recommended since it will further push the LDO into its RMS current rating while increasing power dissipation and die temperature.

V_{IN} Overvoltage Protection

In order to protect the internal power MOSFET devices against transient voltage spikes, the LTC3605 constantly monitors the V_{IN} pin for an overvoltage condition. When V_{IN} rises above 17V, the regulator suspends operation by shutting off both power MOSFETs. Once V_{IN} drops below 15V, the regulator immediately resumes normal operation. The regulator does not execute its soft-start function when exiting an overvoltage condition.

OPERATION

PV_{IN}/SV_{IN} Voltage Differential

SV_{IN} should be tied to PV_{IN} with a low pass filter of 1Ω to 10Ω and 0.1μF. For applications where PV_{IN} and SV_{IN} are tied to vastly different voltage potentials, though the output voltage will remain in regulation, there will be an offset in the internal on-time generator such that if SV_{IN} is different than PV_{IN} by more than 50% of the PV_{IN} voltage, the resulting switching frequency will deviate from the frequency programmed by the R_T resistor and/or the external clock synchronization frequency. In such applications, in order to return the switching frequency back to the original desired frequency, R_T resistor value can be adjusted accordingly. However, the better alternative is to tie the V_{ON} pin to a voltage different than that of V_{OUT} in order to negate the offset of the V_{IN} differential. For instance, if SV_{IN} is 6V and PV_{IN} is 12V, the resulting switching frequency may be slower than what's programmed by the R_T resistor. Tying the V_{ON} pin to a voltage half of V_{OUT} will negate the V_{IN} offset and return the switching frequency back to normal.

Output Voltage Programming

The output voltage is set by an external resistive divider according to the following equation:

$$V_{OUT} = 0.6V \cdot (1 + R2/R1)$$

The resistive divider allows the V_{FB} pin to sense a fraction of the output voltage as shown in Figure 1.

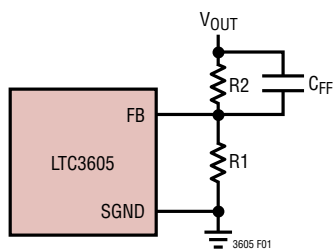


Figure 1. Setting the Output Voltage

Programming Switching Frequency

Connecting a resistor from the RT pin to SGND programs the switching frequency from 800kHz to 4MHz according to the following formula:

$$\text{Frequency (Hz)} = \frac{1.6e11}{R_T (\Omega)}$$

The internal PLL has a synchronization range of ±30% around its programmed frequency. Therefore, during external clock synchronization be sure that the external clock frequency is within this ±30% range of the RT programmed frequency.

Output Voltage Tracking and Soft-Start

The LTC3605 allows the user to program its output voltage ramp rate by means of the TRACK/SS pin. An internal 2μA pulls up the TRACK/SS pin to INTV_{CC}. Putting an external capacitor on TRACK/SS enables soft starting the output to prevent current surge on the input supply. For output tracking applications, TRACK/SS can be externally driven by another voltage source. From 0V to 0.6V, the TRACK/SS voltage will override the internal 0.6V reference input to the error amplifier, thus regulating the feedback voltage to that of TRACK/SS pins. During this start-up time, the LTC3605 will operate in discontinuous mode. When TRACK/SS is above 0.6V, tracking is disabled and the feedback voltage will regulate to the internal reference voltage.

Output Power Good

When the LTC3605's output voltage is within the ±10% window of the regulation point, which is reflected back as a V_{FB} voltage in the range of 0.54V to 0.66V, the output voltage is good and the PGOOD pin is pulled high with an external resistor. Otherwise, an internal open-drain pull-down device (12Ω) will pull the PGOOD pin low. To prevent unwanted PGOOD glitches during transients or dynamic V_{OUT} changes, the LTC3605's PGOOD falling edge includes a blanking delay of approximately 52 switching cycles.

OPERATION

Multiphase Operation

For output loads that demand more than 5A of current, multiple LTC3605s can be cascaded to run out of phase to provide more output current. The CLKIN pin allows the LTC3605 to synchronize to an external clock ($\pm 50\%$ of frequency programmed by RT) and the internal phase-locked-loop allows the LTC3605 to lock onto CLKIN's phase as well. The CLKOUT signal can be connected to the CLKIN pin of the following LTC3605 stage to line up both the frequency and the phase of the entire system. Tying the PHMODE pin to INTV_{CC}, SGND or INTV_{CC}/2 generates a phase difference (between CLKIN and CLKOUT) of 180 degrees, 120 degrees, or 90 degrees respectively, which corresponds to 2-phase, 3-phase or 4-phase operation. A total of 12 phases can be cascaded to run simultaneously out of phase with respect to each other by programming the PHMODE pin of each LTC3605 to different levels.

Internal/External ITH Compensation

During single phase operation, the user can simplify the loop compensation by tying the I_{TH} pin to INTV_{CC} to enable internal compensation. This connects an internal 30k resistor in series with a 40pF capacitor to the output of the error amplifier (internal ITH compensation point) while also activating output voltage positioning such that the output voltage will be 1.5% above regulation at no load and 1.5% below regulation at full load. This is a trade-off for simplicity instead of OPTI-LOOP[®] optimization, where ITH components are external and are selected to optimize the loop transient response with minimum output capacitance.

Minimum Off-Time and Minimum On-Time Considerations

The minimum off-time, $t_{\text{OFF(MIN)}}$, is the smallest amount of time that the LTC3605 is capable of turning on the bottom power MOSFET, tripping the current comparator and turning the power MOSFET back off. This time is generally about 70ns. The minimum off-time limit imposes a maximum duty cycle of $t_{\text{ON}}/(t_{\text{ON}} + t_{\text{OFF(MIN)}})$. If the maximum duty cycle is reached, due to a dropping input voltage for

example, then the output will drop out of regulation. The minimum input voltage to avoid dropout is:

$$V_{\text{IN(MIN)}} = V_{\text{OUT}} \cdot \frac{t_{\text{ON}} + t_{\text{OFF(MIN)}}}{t_{\text{ON}}}$$

Conversely, the minimum on-time is the smallest duration of time in which the top power MOSFET can be in its "on" state. This time is typically 40ns. In continuous mode operation, the minimum on-time limit imposes a minimum duty cycle of:

$$DC_{\text{MIN}} = f \cdot t_{\text{ON(MIN)}}$$

where $t_{\text{ON(MIN)}}$ is the minimum on-time. As the equation shows, reducing the operating frequency will alleviate the minimum duty cycle constraint.

In the rare cases where the minimum duty cycle is surpassed, the output voltage will still remain in regulation, but the switching frequency will decrease from its programmed value. This is an acceptable result in many applications, so this constraint may not be of critical importance in most cases. High switching frequencies may be used in the design without any fear of severe consequences. As the sections on inductor and capacitor selection show, high switching frequencies allow the use of smaller board components, thus reducing the size of the application circuit.

C_{IN} and C_{OUT} Selection

The input capacitance, C_{IN}, is needed to filter the trapezoidal wave current at the drain of the top power MOSFET. To prevent large voltage transients from occurring, a low ESR input capacitor sized for the maximum R_{MS} current should be used. The maximum R_{MS} current is given by:

$$I_{\text{RMS}} \cong I_{\text{OUT(MAX)}} \frac{V_{\text{OUT}}}{V_{\text{IN}}} \sqrt{\frac{V_{\text{IN}}}{V_{\text{OUT}}} - 1}$$

This formula has a maximum at $V_{\text{IN}} = 2V_{\text{OUT}}$, where $I_{\text{RMS}} \cong I_{\text{OUT}}/2$. This simple worst-case condition is commonly used for design because even significant deviations do not offer much relief. Note that ripple current ratings from capacitor manufacturers are often based on only

OPERATION

2000 hours of life which makes it advisable to further derate the capacitor, or choose a capacitor rated at a higher temperature than required.

Several capacitors may also be paralleled to meet size or height requirements in the design. For low input voltage applications, sufficient bulk input capacitance is needed to minimize transient effects during output load changes.

The selection of C_{OUT} is determined by the effective series resistance (ESR) that is required to minimize voltage ripple and load step transients as well as the amount of bulk capacitance that is necessary to ensure that the control loop is stable. Loop stability can be checked by viewing the load transient response. The output ripple, ΔV_{OUT} , is determined by:

$$\Delta V_{OUT} < \Delta I_L \left(\frac{1}{8 \cdot f \cdot C_{OUT}} + ESR \right)$$

The output ripple is highest at maximum input voltage since ΔI_L increases with input voltage. Multiple capacitors placed in parallel may be needed to meet the ESR and RMS current handling requirements. Dry tantalum, special polymer, aluminum electrolytic, and ceramic capacitors are all available in surface mount packages. Special polymer capacitors are very low ESR but have lower capacitance density than other types. Tantalum capacitors have the highest capacitance density but it is important to only use types that have been surge tested for use in switching power supplies. Aluminum electrolytic capacitors have significantly higher ESR, but can be used in cost-sensitive applications provided that consideration is given to ripple current ratings and long-term reliability. Ceramic capacitors have excellent low ESR characteristics and small footprints. Their relatively low value of bulk capacitance may require multiples in parallel.

Using Ceramic Input and Output Capacitors

Higher values, lower cost ceramic capacitors are now becoming available in smaller case sizes. Their high ripple current, high voltage rating and low ESR make them ideal for switching regulator applications. However, care must be taken when these capacitors are used at the input and

output. When a ceramic capacitor is used at the input and the power is supplied by a wall adapter through long wires, a load step at the output can induce ringing at the V_{IN} input. At best, this ringing can couple to the output and be mistaken as loop instability. At worst, a sudden inrush of current through the long wires can potentially cause a voltage spike at V_{IN} large enough to damage the part.

When choosing the input and output ceramic capacitors, choose the X5R and X7R dielectric formulations. These dielectrics have the best temperature and voltage characteristics of all the ceramics for a given value and size.

Since the ESR of a ceramic capacitor is so low, the input and output capacitor must instead fulfill a charge storage requirement. During a load step, the output capacitor must instantaneously supply the current to support the load until the feedback loop raises the switch current enough to support the load. The time required for the feedback loop to respond is dependent on the compensation and the output capacitor size. Typically, 3 to 4 cycles are required to respond to a load step, but only in the first cycle does the output drop linearly. The output droop, V_{DROOP} , is usually about 2 to 3 times the linear drop of the first cycle. Thus, a good place to start with the output capacitor value is approximately:

$$C_{OUT} \approx 2.5 \frac{\Delta I_{OUT}}{f_0 \cdot V_{DROOP}}$$

More capacitance may be required depending on the duty cycle and load step requirements.

In most applications, the input capacitor is merely required to supply high frequency bypassing, since the impedance to the supply is very low. A 22 μ F ceramic capacitor is usually enough for these conditions. Place this input capacitor as close to the PV_{IN} pins as possible.

Inductor Selection

Given the desired input and output voltages, the inductor value and operating frequency determine the ripple current:

$$\Delta I_L = \frac{V_{OUT}}{f \cdot L} \left(1 - \frac{V_{OUT}}{V_{IN(MAX)}} \right)$$

OPERATION

Lower ripple current reduces core losses in the inductor, ESR losses in the output capacitors and output voltage ripple. Highest efficiency operation is obtained at low frequency with small ripple current. However, achieving this requires a large inductor. There is a trade-off between component size, efficiency and operating frequency.

A reasonable starting point is to choose a ripple current that is about 2.5A. This is especially important at low V_{OUT} operation where V_{OUT} is 1.8V or below. Care must be given to choose an inductance value that will generate a big enough current ripple (1.5A to 2.5A) so that the chip's valley current comparator has enough signal-to-noise ratio to force constant switching frequency. Meanwhile, also note that the largest ripple current occurs at the highest V_{IN} . To guarantee that ripple current does not exceed a specified maximum, the inductance should be chosen according to:

$$L = \frac{V_{OUT}}{f \cdot \Delta I_L(MAX)} \cdot \left(1 - \frac{V_{OUT}}{V_{IN(MAX)}} \right)$$

However, the inductor ripple current must not be so large that its valley current level ($-\Delta I_L/2$) can exceed the negative current limit, which can be as low as $-3.5A$. If the negative current limit is exceeded in forced continuous mode of operation, V_{OUT} can get charged to above the regulation level until the inductor current no longer exceeds the negative current limit. In such instances, choose a larger inductor value to reduce the inductor ripple current. The alternative is to reduce the R_T resistor value to increase the switching frequency in order to reduce the inductor ripple current.

Once the value for L is known, the type of inductor must be selected. Actual core loss is independent of core size for a fixed inductor value, but is very dependent on the inductance selected. As the inductance or frequency increases, core losses decrease. Unfortunately, increased inductance requires more turns of wire and therefore copper losses will increase.

Ferrite designs have very low core losses and are preferred at high switching frequencies, so design goals can concentrate on copper loss and preventing saturation. Ferrite core material saturates "hard", which means that inductance collapses abruptly when the peak design current is exceeded. This results in an abrupt increase in inductor

ripple current and consequent output voltage ripple. Do not allow the core to saturate!

Different core materials and shapes will change the size/current and price/current relationship of an inductor. Toroid or shielded pot cores in ferrite or permalloy materials are small and don't radiate much energy, but generally cost more than powdered iron core inductors with similar characteristics. The choice of which style inductor to use mainly depends on the price versus size requirements and any radiated field/EMI requirements. New designs for surface mount inductors are available from Toko, Vishay, NEC/Tokin, Cooper, TDK and Würth Elektronik. Refer to Table 1 for more details.

Checking Transient Response

The OPTI-LOOP compensation allows the transient response to be optimized for a wide range of loads and output capacitors. The availability of the ITH pin not only allows optimization of the control loop behavior but also provides a DC-coupled and AC-filtered closed-loop response test point. The DC step, rise time and settling at this test point truly reflects the closed-loop response. Assuming a predominantly second order system, phase margin and/or damping factor can be estimated using the percentage of overshoot seen at this pin.

The ITH external components shown in the circuit on the first page of this data sheet provides an adequate starting point for most applications. The series R-C filter sets the dominant pole zero loop compensation. The values can be modified slightly (from 0.5 to 2 times their suggested values) to optimize transient response once the final PC layout is done and the particular output capacitor type and value have been determined. The output capacitors need to be selected because their various types and values determine the loop feedback factor gain and phase. An output current pulse of 20% to 100% of full load current having a rise time of 1 μ s to 10 μ s will produce output voltage and ITH pin waveforms that will give a sense of the overall loop stability without breaking the feedback loop.

Switching regulators take several cycles to respond to a step in load current. When a load step occurs, V_{OUT} immediately shifts by an amount equal to $\Delta I_{LOAD} \cdot ESR$, where

OPERATION

Table 1. Inductor Selection Table

INDUCTANCE	DCR	MAX CURRENT	DIMENSIONS	HEIGHT
Vishay IHLP-2525CZ-01 Series				
0.33 μ H	4.1m Ω	18A	6.7mm \times 7mm	3mm
0.47 μ H	6.5m Ω	13.5A		
0.68 μ H	9.4m Ω	11A		
0.82 μ H	11.8m Ω	10A		
1.0 μ H	14.2m Ω	9A		
Vishay IHLP-1616BZ-11 Series				
0.22 μ H	4.1m Ω	12A	4.3mm \times 4.7mm	2.0mm
0.47 μ H	15m Ω	7A		
Toko FDV0620 Series				
0.20 μ H	4.5m Ω	12.4A	7mm \times 7.7mm	2.0mm
0.47 μ H	8.3m Ω	9A		
1 μ H	18.3m Ω	5.7A		
NEC/Tokin MLC0730L Series				
0.47 μ H	4.5m Ω	16.6A	6.9mm \times 7.7mm	3.0mm
0.75 μ H	7.5m Ω	12.2A		
1 μ H	9m Ω	10.6A		
Cooper HCP0703 Series				
0.22 μ H	2.8m Ω	23A	7mm \times 7.3mm	3.0mm
0.47 μ H	4.2m Ω	17A		
0.68 μ H	5.5m Ω	15A		
0.82 μ H	8m Ω	13A		
1 μ H	10m Ω	11A		
1.5 μ H	14m Ω	9A		
TDK RLF7030 Series				
1 μ H	8.8m Ω	6.4A	6.9mm \times 7.3mm	3.2mm
1.5 μ H	9.6m Ω	6.1A		
2.2 μ H	12m Ω	5.4A		
Würth Elektronik WE-HC 744312 Series				
0.25 μ H	2.5m Ω	18A	7mm \times 7.7mm	3.8mm
0.47 μ H	3.4m Ω	16A		
0.72 μ H	7.5m Ω	12A		
1 μ H	9.5m Ω	11A		
1.5 μ H	10.5m Ω	9A		

ESR is the effective series resistance of C_{OUT} . ΔI_{LOAD} also begins to charge or discharge C_{OUT} generating a feedback error signal used by the regulator to return V_{OUT} to its steady-state value. During this recovery time, V_{OUT} can be monitored for overshoot or ringing that would indicate a stability problem.

The initial output voltage step may not be within the bandwidth of the feedback loop, so the standard second order overshoot/DC ratio cannot be used to determine phase margin. The gain of the loop increases with the R and the bandwidth of the loop increases with decreasing C. If R is increased by the same factor that C is decreased, the zero frequency will be kept the same, thereby keeping the phase the same in the most critical frequency range of the feedback loop. In addition, a feedforward capacitor, C_{FF} , can be added to improve the high frequency response, as shown in Figure 1. Capacitor C_{FF} provides phase lead by creating a high frequency zero with R2 which improves the phase margin.

The output voltage settling behavior is related to the stability of the closed-loop system and will demonstrate the actual overall supply performance. For a detailed explanation of optimizing the compensation components, including a review of control loop theory, refer to Linear Technology Application Note 76.

In some applications, a more severe transient can be caused by switching in loads with large ($>10\mu$ F) input capacitors. The discharged input capacitors are effectively put in parallel with C_{OUT} , causing a rapid drop in V_{OUT} . No regulator can deliver enough current to prevent this problem, if the switch connecting the load has low resistance and is driven quickly. The solution is to limit the turn-on speed of the load switch driver. A Hot Swap controller is designed specifically for this purpose and usually incorporates current limiting, short-circuit protection and soft-starting.

Efficiency Considerations

The percent efficiency of a switching regulator is equal to the output power divided by the input power times 100%. It is often useful to analyze individual losses to determine what is limiting the efficiency and which change would

OPERATION

produce the most improvement. Percent efficiency can be expressed as:

$$\% \text{ Efficiency} = 100\% - (L1 + L2 + L3 + \dots)$$

where L1, L2, etc. are the individual losses as a percentage of input power.

Although all dissipative elements in the circuit produce losses, three main sources usually account for most of the losses in LTC3605 circuits: 1) I^2R losses, 2) switching and biasing losses, 3) other losses.

1. I^2R losses are calculated from the DC resistances of the internal switches, R_{SW} , and external inductor, R_L . In continuous mode, the average output current flows through inductor L but is “chopped” between the internal top and bottom power MOSFETs. Thus, the series resistance looking into the SW pin is a function of both top and bottom MOSFET $R_{DS(ON)}$ and the duty cycle (DC) as follows:

$$R_{SW} = (R_{DS(ON)TOP})(DC) + (R_{DS(ON)BOT})(1-DC)$$

The $R_{DS(ON)}$ for both the top and bottom MOSFETs can be obtained from the Typical Performance Characteristics curves. Thus to obtain I^2R losses:

$$I^2R \text{ losses} = I_{OUT}^2(R_{SW} + R_L)$$

2. The I_{INTVCC} current is the sum of the power MOSFET driver and control currents. The power MOSFET driver current results from switching the gate capacitance of the power MOSFETs. Each time a power MOSFET gate is switched from low to high to low again, a packet of charge dQ moves from I_{INTVCC} to ground. The resulting dQ/dt is a current out of I_{INTVCC} that is typically much larger than the DC control bias current. In continuous mode, $I_{GATECHG} = f(Q_T + Q_B)$, where Q_T and Q_B are the gate charges of the internal top and bottom power MOSFETs and f is the switching frequency. Since I_{INTVCC} is a low dropout regulator output powered by V_{IN} , its power loss equals:

$$P_{LDO} = V_{IN} \cdot I_{INTVCC}$$

Refer to the I_{INTVCC} vs Frequency curve in the Typical Performance Characteristics for typical I_{INTVCC} current at various frequencies.

3. Other “hidden” losses such as transition loss and copper trace and internal load resistances can account for additional efficiency degradations in the overall power system. It is very important to include these “system” level losses in the design of a system. Transition loss arises from the brief amount of time the top power MOSFET spends in the saturated region during switch node transitions. The LTC3605 internal power devices switch quickly enough that these losses are not significant compared to other sources. Other losses including diode conduction losses during dead-time and inductor core losses which generally account for less than 2% total additional loss.

Thermal Considerations

In a majority of applications, the LTC3605 does not dissipate much heat due to its high efficiency and low thermal resistance of its exposed-back QFN package. However, in applications where the LTC3605 is running at high ambient temperature, high V_{IN} , high switching frequency and maximum output current load, the heat dissipated may exceed the maximum junction temperature of the part. If the junction temperature reaches approximately 160°C, both power switches will be turned off until the temperature drops about 15°C cooler.

To avoid the LTC3605 from exceeding the maximum junction temperature, the user will need to do some thermal analysis. The goal of the thermal analysis is to determine whether the power dissipated exceeds the maximum junction temperature of the part. The temperature rise is given by:

$$T_{RISE} = P_D \cdot \theta_{JA}$$

As an example, consider the case when the LTC3605 is used in applications where $V_{IN} = 12V$, $I_{OUT} = 5A$, $f = 1MHz$, $V_{OUT} = 1.8V$. The equivalent power MOSFET resistance R_{SW} is:

$$\begin{aligned} R_{SW} &= R_{DS(ON)TOP} \cdot \frac{V_{OUT}}{V_{IN}} + R_{DS(ON)BOT} \left(1 - \frac{V_{OUT}}{V_{IN}} \right) \\ &= 70m\Omega \cdot \frac{1.8}{12} + 35m\Omega \cdot \frac{10.2}{12} \\ &= 40.25m\Omega \end{aligned}$$

The V_{IN} current during 1MHz force continuous operation

OPERATION

with no load is about 11mA, which includes switching and internal biasing current loss, transition loss, inductor core loss and other losses in the application. Therefore, the total power dissipated by the part is:

$$P_D = I_{OUT}^2 \cdot R_{SW} + V_{IN} \cdot I_{VIN} \text{ (No Load)}$$

$$= 25A^2 \cdot 40.25m\Omega + 12V \cdot 11mA = 1.14W$$

The QFN 4mm × 4mm package junction-to-ambient thermal resistance, θ_{JA} , is around 37°C/W. Therefore, the junction temperature of the regulator operating in a 25°C ambient temperature is approximately:

$$T_J = 1.14W \cdot 37^\circ\text{C/W} + 25^\circ\text{C} = 67^\circ\text{C}$$

Remembering that the above junction temperature is obtained from an $R_{DS(ON)}$ at 25°C, we might recalculate the junction temperature based on a higher $R_{DS(ON)}$ since it increases with temperature. Redoing the calculation assuming that R_{SW} increased 15% at 67°C yields a new junction temperature of 72°C. If the application calls for a higher ambient temperature and/or higher switching frequency, care should be taken to reduce the temperature rise of the part by using a heat sink or air flow. Figure 2 is a temperature derating curve based on the DC1215 demo board.

Junction Temperature Measurement

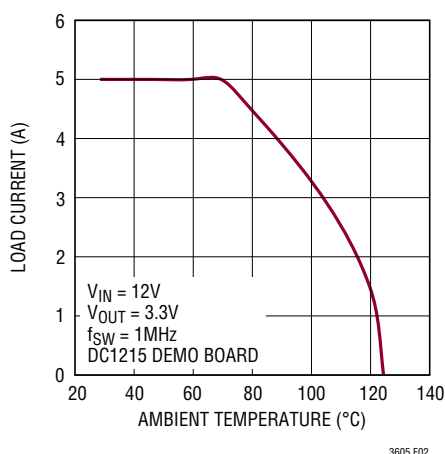


Figure 2. Load Current vs Ambient Temperature

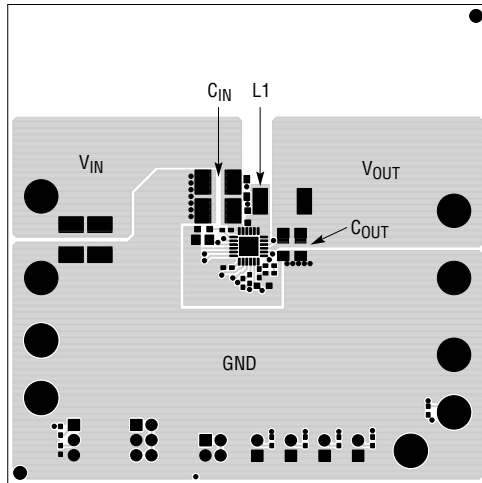
The junction-to-ambient thermal resistance will vary depending on the size and amount of heat sinking copper on the PCB board where the part is mounted, as well as the amount of air flow on the device. One of the ways to measure the junction temperature directly is to use the internal junction diode on one of the pins (PGOOD) to measure its diode voltage change based on ambient temperature change. First remove any external passive component on the PGOOD pin, then pull out 100μA from the PGOOD pin to turn on its internal junction diode and bias the PGOOD pin to a negative voltage. With no output current load, measure the PGOOD voltage at an ambient temperature of 25°C, 75°C and 125°C to establish a slope relationship between the delta voltage on PGOOD and delta ambient temperature. Once this slope is established, then the junction temperature rise can be measured as a function of power loss in the package with corresponding output load current. Keep in mind that doing so will violate absolute maximum voltage ratings on the PGOOD pin, however, with the limited current, no damage will result.

Board Layout Considerations

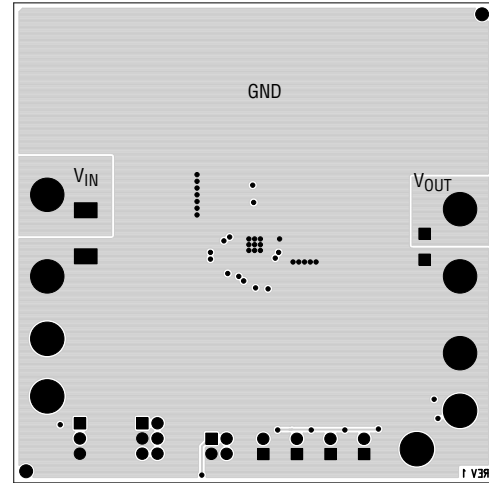
When laying out the printed circuit board, the following checklist should be used to ensure proper operation of the LTC3605 (refer to Figure 3). Check the following in your layout:

1. Do the capacitors C_{IN} connect to the power PV_{IN} and power PGND as close as possible? These capacitors provide the AC current to the internal power MOSFETs and their drivers.
2. Are C_{OUT} and L1 closely connected? The (–) plate of C_{OUT} returns current to PGND and the (–) plate of C_{IN} .
3. The resistive divider, R1 and R2, must be connected between the (+) plate of C_{OUT} and a ground line terminated near SGND. The feedback signal V_{FB} should be routed away from noisy components and traces, such as the SW line, and its trace should be minimized. Keep R1 and R2 close to the IC.

OPERATION



(3a) Sample PCB Layout—Topside



(3b) Sample PCB Layout—Bottom Side

Figure 3.

- Solder the Exposed Pad (Pin 25) on the bottom of the package to the PGND plane. Connect this PGND plane to other layers with thermal vias to help dissipate heat from the LTC3605.
- Keep sensitive components away from the SW pin. The R_T resistor, the compensation capacitor C_C and C_{ITH} and all the resistors R_1 , R_3 and R_C , and the $INTV_{CC}$ bypass capacitor, should be placed away from the SW trace and the inductor L_1 . Also, the SW pin pad should be kept as small as possible.
- A ground plane is preferred, but if not available, keep the signal and power grounds segregated with small-signal components returning to the SGND pin which is then connected to the PGND pin at the negative terminal of the output capacitor, C_{OUT} .

Flood all unused areas on all layers with copper, which reduces the temperature rise of power components. These copper areas should be connected to PGND.

Design Example

As a design example, consider using the LTC3605 in an application with the following specifications:

$$V_{IN} = 10.8V \text{ to } 13.2V, V_{OUT} = 1.8V, I_{OUT(MAX)} = 5A, \\ I_{OUT(MIN)} = 500mA, f = 2MHz$$

Because efficiency is important at both high and low load current, discontinuous mode operation will be utilized. First select from the characteristic curves the correct R_T resistor value for 2MHz switching frequency. Based on that R_T should be 80.6k. Then calculate the inductor value for about 50% ripple current at maximum V_{IN} :

$$L = \left(\frac{1.8V}{2MHz \cdot 2.5A} \right) \left(1 - \frac{1.8V}{13.2V} \right) = 0.31\mu H$$

The nearest standard value inductor would be 0.33 μ H.

C_{OUT} will be selected based on the ESR that is required to satisfy the output voltage ripple requirement and the bulk capacitance needed for loop stability. For this design, two 47 μ F ceramic capacitors will be used.

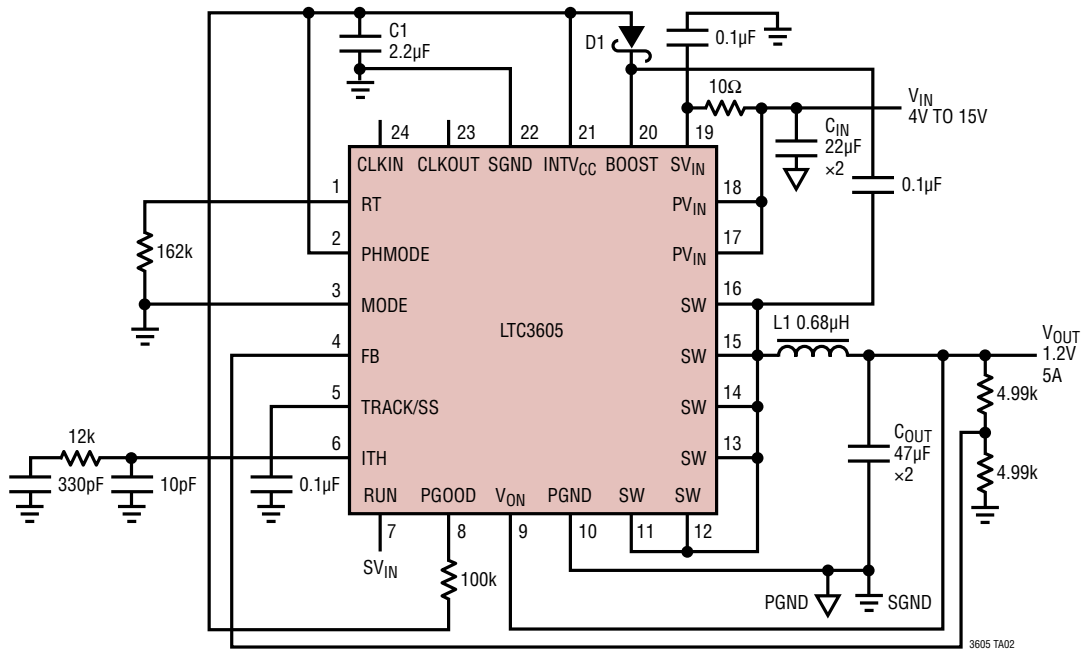
C_{IN} should be sized for a maximum current rating of:

$$I_{RMS} = 5A \left(\frac{1.8V}{13.2V} \right) \left(\frac{13.2V}{1.8V} - 1 \right)^{1/2} = 1.7A$$

Decoupling the PV_{IN} pins with two 22 μ F ceramic capacitors is adequate for most applications.

TYPICAL APPLICATIONS

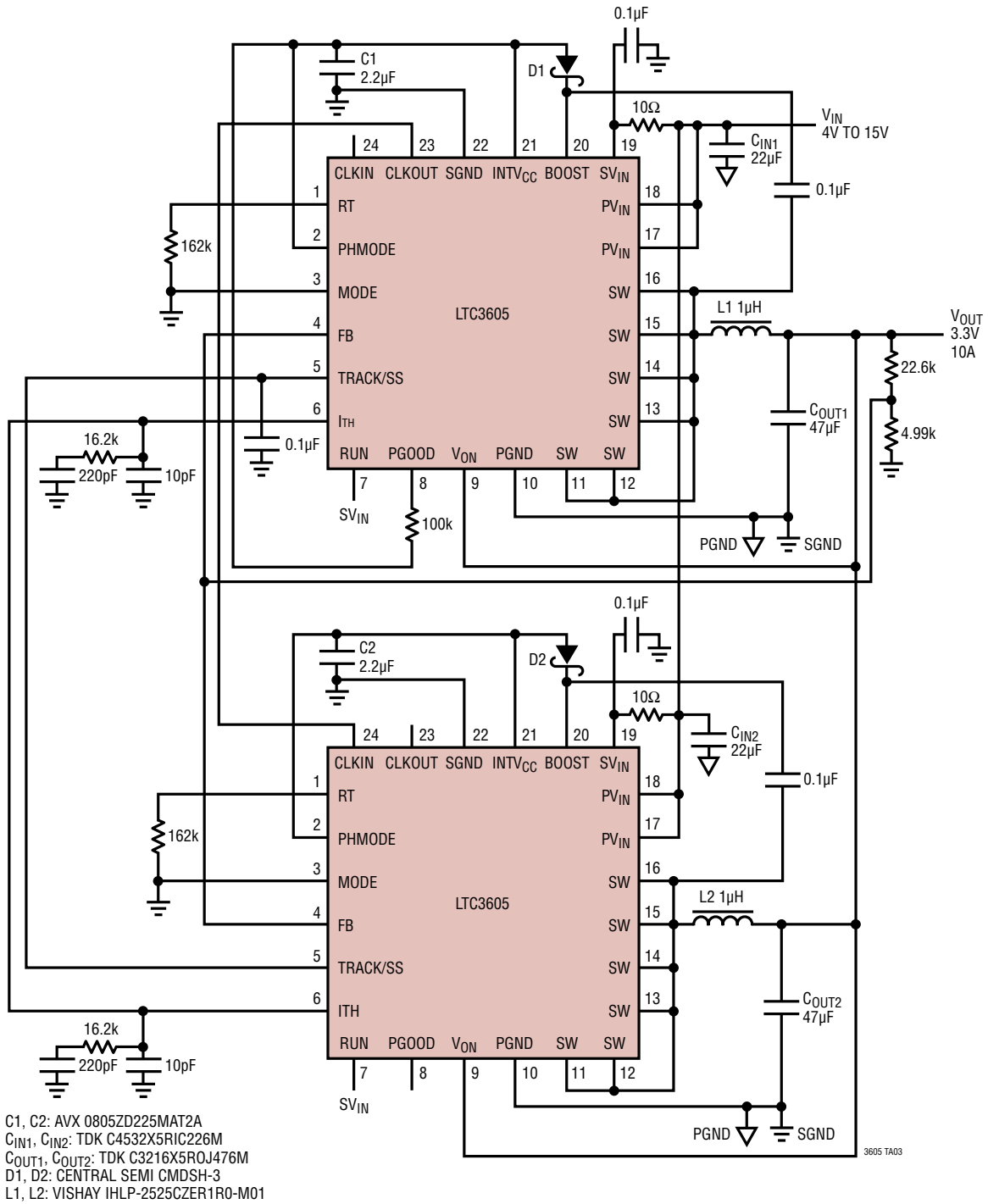
12V to 1.2V 1MHz Buck Regulator



- C1: AVX 0805ZD225MAT2A D1: CENTRAL SEMI CMDSH-3
 CIN: TDK C4532X5R1C226M L1: VISHAY IHLP-2525CZERR68-M01
 COUT: TDK C3216X5R0J476M

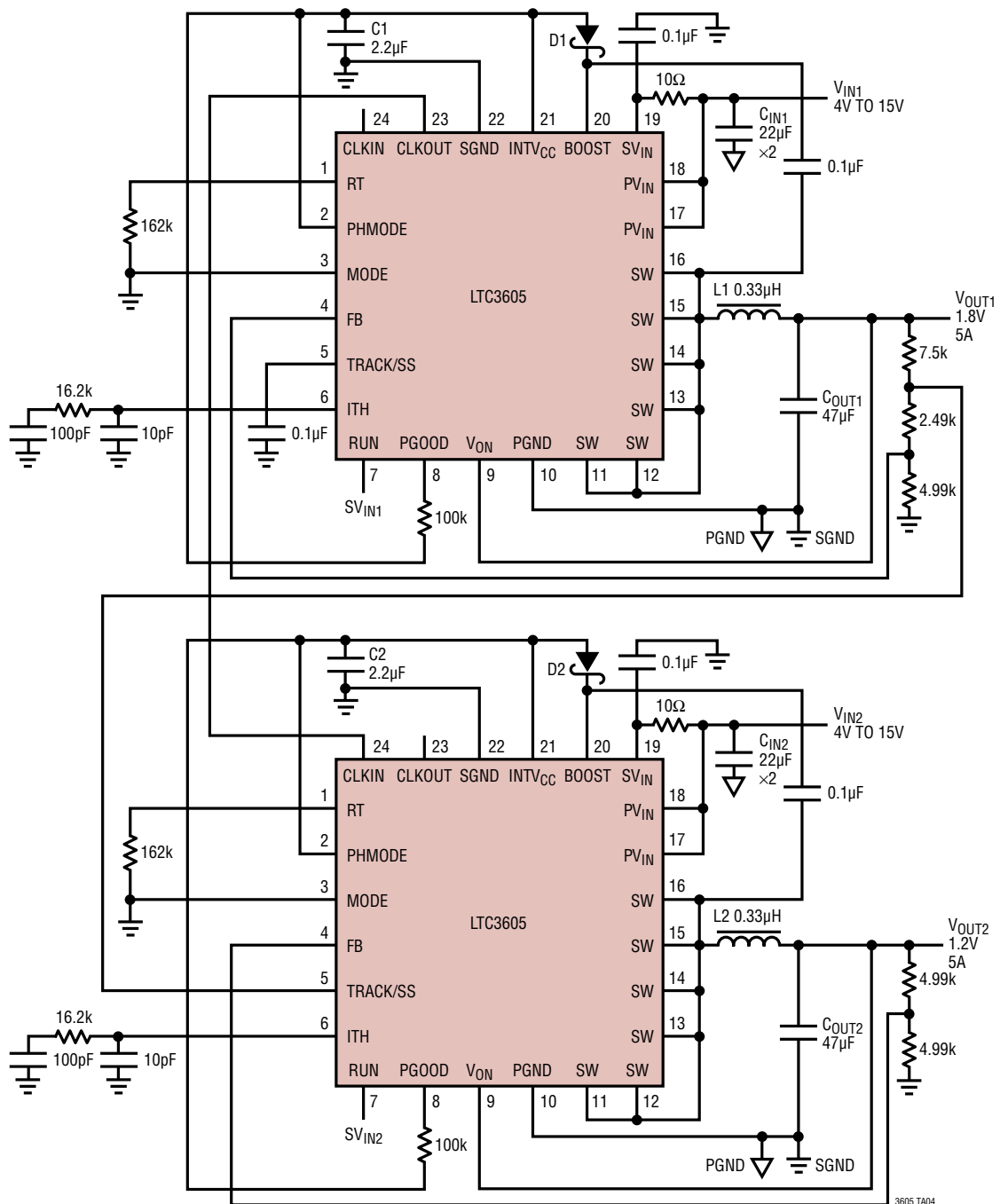
TYPICAL APPLICATIONS

12V, 10A 2-Phase Single Output Regulator



TYPICAL APPLICATIONS

Dual Output Tracking Application

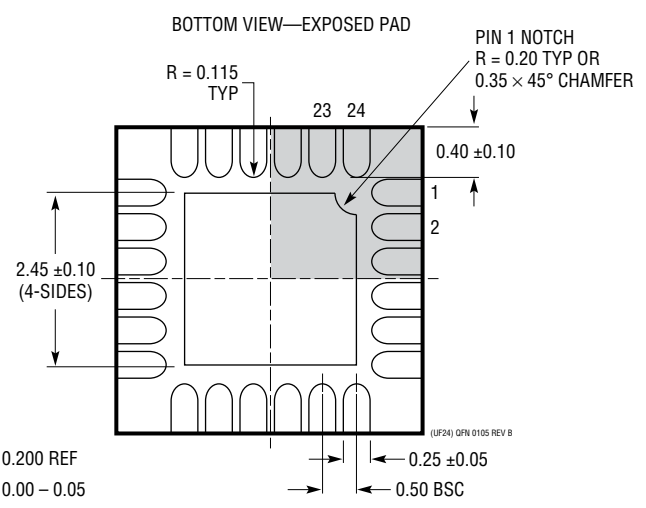
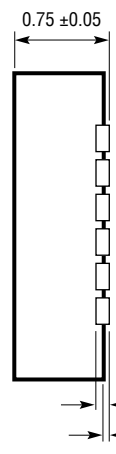
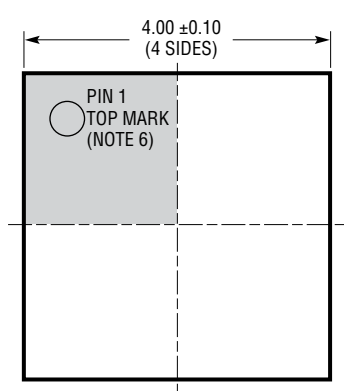
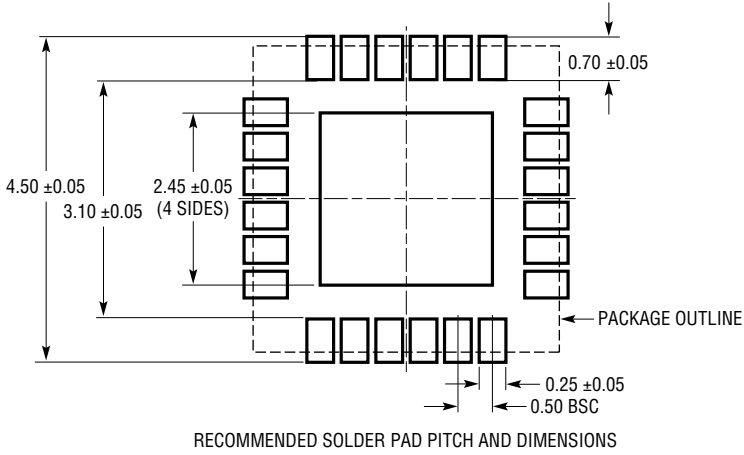


- C1, C2: AVX 0805ZD225MAT2A
- C_{IN1}, C_{IN2}: TDK C4532X5R1C226M
- C_{OUT1}, C_{OUT2}: TDK C3216X5R0J476M
- D1, D2: CENTRAL SEMI CMDSH-3
- L1, L2: VISHAY IHLP-2525CZERR33-M01

3605 TA04

PACKAGE DESCRIPTION

UF Package
24-Lead Plastic QFN (4mm × 4mm)
 (Reference LTC DWG # 05-08-1697 Rev B)



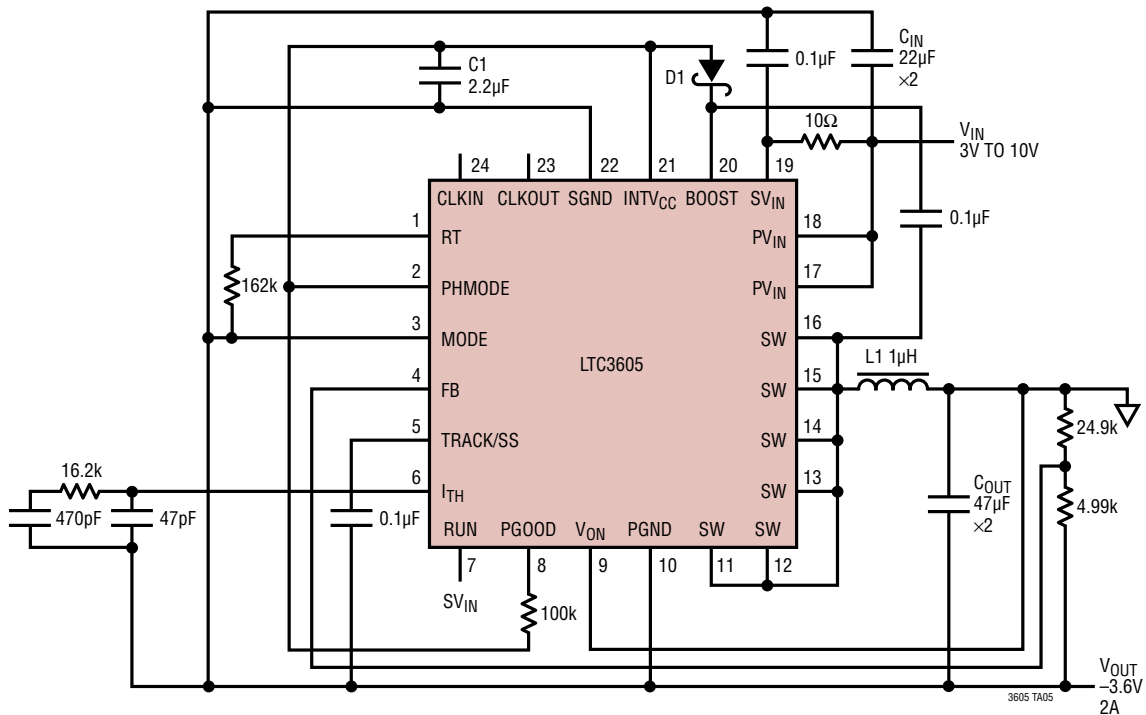
- NOTE:
1. DRAWING PROPOSED TO BE MADE A JEDEC PACKAGE OUTLINE MO-220 VARIATION (WGGD-X)—TO BE APPROVED
 2. DRAWING NOT TO SCALE
 3. ALL DIMENSIONS ARE IN MILLIMETERS
 4. DIMENSIONS OF EXPOSED PAD ON BOTTOM OF PACKAGE DO NOT INCLUDE MOLD FLASH. MOLD FLASH, IF PRESENT, SHALL NOT EXCEED 0.15mm ON ANY SIDE, IF PRESENT
 5. EXPOSED PAD SHALL BE SOLDER PLATED
 6. SHADED AREA IS ONLY A REFERENCE FOR PIN 1 LOCATION ON THE TOP AND BOTTOM OF PACKAGE

REVISION HISTORY (Revision history begins at Rev B)

REV	DATE	DESCRIPTION	PAGE NUMBER
B	10/09	Edit to Typical Application.	1
		Changes to Absolute Maximum Ratings.	2
		Add I-grade part to Order Information.	2
		Changes to Electrical Characteristics and Notes.	3
		Text changes to Pin Functions.	6
		Text changes.	9
		Edits to equations.	14
C	10/12	Updates to Typical Application.	17
D	04/15	Clarified negative valley current limit parameter.	3
		Added negative valley current limit explanation.	11
		Clarified Typical Application.	17
E	08/15	Added "Do not float this pin" to MODE pin function.	6
F	11/15	Changed RUN Voltage Abs Max Rating.	2
		Enhanced Inductor Selection section.	11
G	02/16	Added new section on PV_{IN}/SV_{IN} Voltage Differential.	9
H	09/16	Modified Block Diagram.	7
I	08/21	Added AEC-Q100 statement.	1
		Added #W models.	2

TYPICAL APPLICATION

-3.6V Negative Converter



RELATED PARTS

PART NUMBER	DESCRIPTION	COMMENTS
LTC3602	10V, 2.5A (I _{OUT}), 3MHz, Synchronous Step-Down DC/DC Converter	95% Efficiency, V _{IN} : 4.5V to 10V, V _{OUT(MIN)} = 0.6V, I _Q = 75µA, I _{SD} < 1µA, 4mm × 4mm QFN-20, TSSOP-16E
LTC3603	15V, 2.5A (I _{OUT}), 3MHz, Synchronous Step-Down DC/DC Converter	95% Efficiency, V _{IN} : 4.5V to 15V, V _{OUT(MIN)} = 0.6V, I _Q = 75µA, I _{SD} < 1µA, 3mm × 3mm QFN-16, MSE-16
LTC3412A	3A (I _{OUT}), 4MHz, Synchronous Step-Down DC/DC Converter	95% Efficiency, V _{IN} : 2.25V to 5.5V, V _{OUT(MIN)} = 0.8V, I _Q = 60µA, I _{SD} < 1µA, TSSOP-16E, 4mm × 4mm QFN-16
LTC3413	3A (I _{OUT} Sink/Source), 2MHz, Monolithic Synchronous Regulator for DDR/QDR Memory Termination	90% Efficiency, V _{IN} : 2.25V to 5.5V, V _{REF/2} , I _Q = 280µA, I _{SD} < 1µA, TSSOP-16E
LTC3414/ LTC3416	4A (I _{OUT}), 4MHz, Synchronous Step-Down DC/DC Converters	95% Efficiency, V _{IN} : 2.25V to 5.5V, V _{OUT(MIN)} = 0.8V, I _Q = 64µA, I _{SD} < 1µA, TSSOP-20E
LTC3415	7A (I _{OUT}), 1.5MHz, Synchronous Step-Down DC/DC Converter	95% Efficiency, V _{IN} : 2.5V to 5.5V, V _{OUT(MIN)} = 0.6V, I _Q = 450µA, I _{SD} < 1µA, 5mm × 7mm QFN-38
LTC3418	8A (I _{OUT}), 4MHz, Synchronous Step-Down DC/DC Converter	95% Efficiency, V _{IN} : 2.25V to 5.5V, V _{OUT(MIN)} = 0.8V, I _Q = 380µA, I _{SD} < 1µA, 5mm × 7mm QFN-38
LTC3608	18V, 8A (I _{OUT}) 1MHz, Synchronous Step-Down DC/DC Converter	95% Efficiency, V _{IN} : 4V to 18V, V _{OUT(MIN)} = 0.6V, I _Q = 900µA, I _{SD} < 15µA, 7mm × 8mm QFN-52
LTC3610	24V, 12A (I _{OUT}), 1MHz, Synchronous Step-Down DC/DC Converter	95% Efficiency, V _{IN} : 4V to 24V, V _{OUT(MIN)} = 0.6V, I _Q = 900µA, I _{SD} < 15µA, 9mm × 9mm QFN-64
LTC3611	32V, 10A (I _{OUT}), 1MHz, Synchronous Step-Down DC/DC Converter	95% Efficiency, V _{IN} : 4V to 32V, V _{OUT(MIN)} = 0.6V, I _Q = 900µA, I _{SD} < 15µA, 9mm × 9mm QFN-64