

FEATURES

- *0.3 INCH (7.62 mm) DIGIT HEIGHT.
- *FOUR-DIGIT,RIGHT HAND DECIMAL.
- *WIDE SUPPLY VOLTAGE OPERATION.
- *SERIAL DATA INPUT.
- *CONSTANT CURRENT DRIVERS.
- *CONTINUOUS BRIGHTNESS CONTROL.
- *OUTPUT AVAILABLE FOR TWO EXTERNAL LEDES.
- *WIDE VIEWING ANGLE.
- *TTL COMPATIBLE.

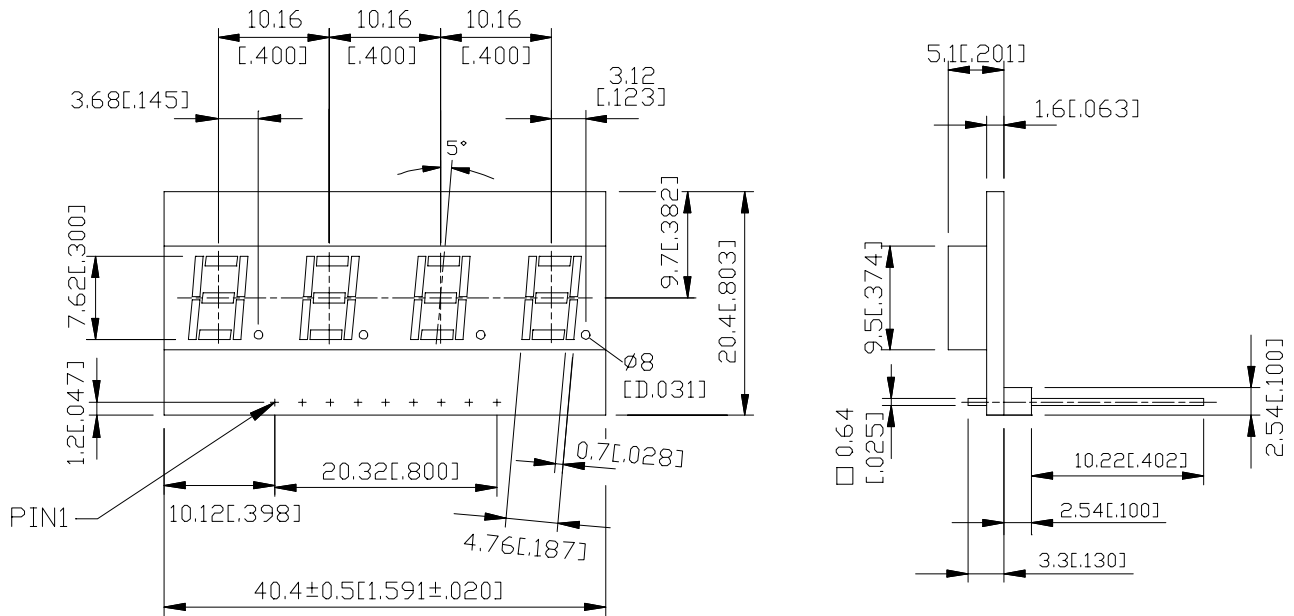
DESCRIPTION

The LTM-8328PKR-04 is a 0.3 inch (7.62mm) digit display. It has a built-in M5450 MOS IC that contains serial data input and 35 bit shift control. The MOS IC produced with N-channel silicon gate technology. This device utilizes bright red LED chips, which are made from GaP on a transparent GaP substrate. Have black face with diffusion tape.

DEVICE

PART NO	DESCRIPTION
Bright red	FOUR DIGIT R.H.D.P,
LTM-8328PKR-04	WITH I.C DRIVER

PACKAGE DIMENSIONS

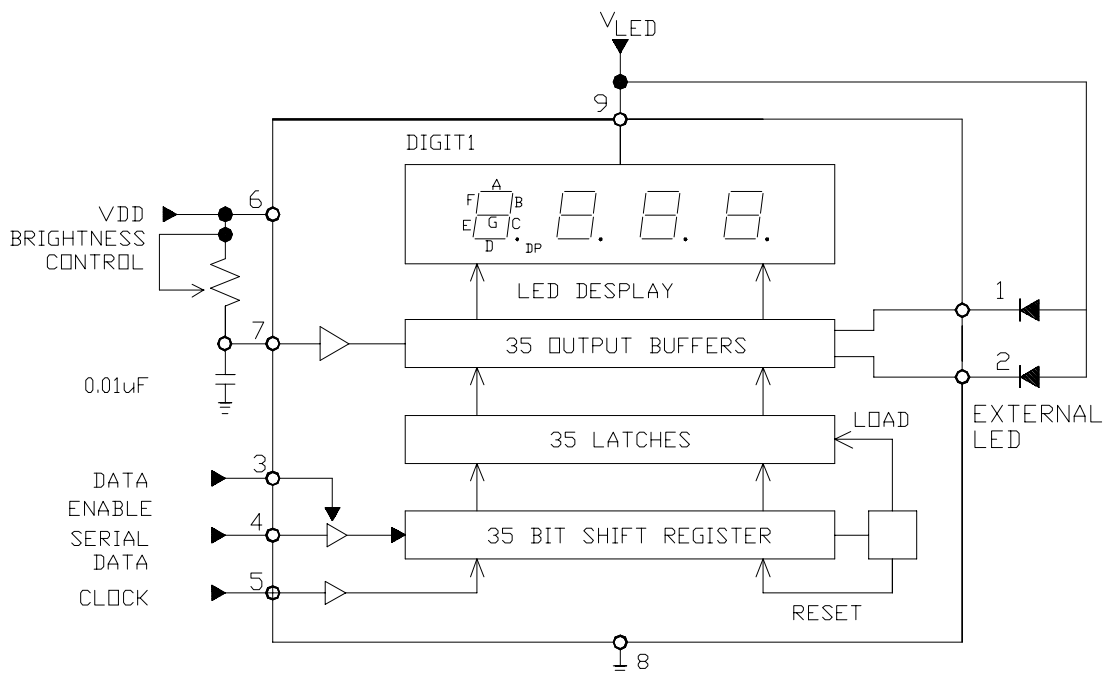


NOTES: All dimensions are in millimeters. Tolerances are ±0.25mm(0.01“) unless otherwise noted.

PIN CONNECTION

NO.	CONNECTION	NO.	CONNECTION
1	EXT LED1	6	V _{DD}
2	EXT LED2	7	DIMMER
3	DATA ENABLE	8	GND
4	DATA SERIAL	9	V _{LED}
5	CLOCK		

INTERNAL CIRCUIT DIAGRAM



SERIAL DATA INPUT SEQUENCE

BIT	DIGIT	SEGMENT	BIT	DIGIT	SEGMENT
1	1	A	18	3	B
2	1	B	19	3	C
3	1	C	20	3	D
4	1	D	21	3	E
5	1	E	22	3	F
6	1	F	23	3	G
7	1	G	24	3	DP
8	1	DP	25	4	A
9	2	A	26	4	B
10	2	B	27	4	C
11	2	C	28	4	D
12	2	D	29	4	E
13	2	E	30	4	F
14	2	F	31	4	G
15	2	G	32	4	DP
16	2	DP	33		LED1
17	3	A	34		LED2

ABSOLUTE MAXIMUM RATING AT TA=25°C

PARAMETER	SYMBOL	MIN.	MAX.	UNIT
Supply Voltage	V _{DD}	-0.3	12	V
Input Voltage	V _I	-0.3	12	V
Off State Output Voltage	V _{O(off)}		12	V
LED Supply Voltage	V _{LED}	2.8	3.5	V
Power Dissipation of IC	P _{D(IC)}		335	mW
Supply Current	I _{DD}		8.5	mA
Operating Temperature Range	T _{OP}	-20	+60	°C
Storage Temperature Range	T _{stg}	-20	+60	°C
Solder Temperature: 1/16 inch Below Seating Plane for 3 Seconds at 260°C				

NOTE: 1. All Voltages are with respect to V_{SS}(GND).

2. Power dissipation of IC is given by $P_D = (V_{LED} - V_F) \cdot (I_F) \cdot (\text{NO. of Segments}) + (8.5\text{mA}) \cdot (V_{DD})$

* V_F is LED forward voltage.

RECOMMENDED OPERATING CONDITION AT TA=25°C

PARAMETER	SYMBOL	MIN.	TYP.	MAX.	UNIT	TEST CONDITION
Supply Voltage	V _{DD}	4.75		11	V	
Input Voltage						
Logical "0" Level		-0.3		0.8	V	±10uA Input Bias
Logical "1" Level	V _I	2.2		V _{DD}	V	4.75V < V _{DD} < 5.25V
Logical "1" Level		V _{DD} -2		V _{DD}	V	V _{DD} > 5.25V
Brightness Input Current	I _B	0		0.75	mA	
Brightness Input Voltage	V _B	3		4.3	V	Input Current = 750uA
Off State Voltage	V _{O(off)}			11	V	
Output Sink Current				10	uA	
Segment Off			3		mA	I _B =0uA
Segment On			6		mA	I _B =100uA
Input Clock Frequency	F _{CLOCK}	0		0.5	MHZ	I _B =200uA
Output Matching	I _O			±20	%	

ELECTRICAL OPTICAL CHARACTERISTICS AT TA=25°C

PARAMETER	SYMBOL	MIN.	TYP.	MAX.	UNIT	TEST CONDITION
Average Luminous Intensity	I_v	79	155		ucd	$I_B=0.4mA$
Peak Emission Wavelength	λ_p		697		nm	$I_B=0.4mA$
Spectral Line Half-Width	$\Delta\lambda$		90		nm	$I_B=0.4mA$
Dominant Wavelength	λ_d		638		nm	$I_F=20mA$
Luminous Intensity Matching Ratio	I_v-m			2:1		$I_B=0.4mA$

FUNCTIONAL DESCRIPTION

Serial data transfer from the data source to the display driver is accomplished with 2 signals serial data and clock. Using a format of a leading "1" following by the 35 data bits allows data transfer without an additional load signal. The 35 data bits are latched after the 36th bit is completed, thus providing non-multiplexed, direct drive to the display. Outputs change only if the serial data bits differ from the previous time.

Brightness of display is determined by control the Output current of LED display. A 1nF capacitor should be connected to brightness control, Pin 7 to prevent possible oscillations. The output current is typically 25 times greater than the current into Pin 7 which is set by an external variable resistor. There is an internal limiting resistor of 400 Ω nominal value.

Figure 1 shows the input data format. A start bit of logical "1" proceed the 35 bits of data. At the 36th clock, a LOAD signal is generated synchronously with the high state of the clock, which loads the 35 bits of the shift registers into the latches. At the low state of the clock a RESET signal is generated which clears all the shift registers for the next set of data. The shift registers are static master-slave configuration. There is no clear for portion of the first register, thus allowing continuous operation.

There must be a complete set of 36 clocks or the shift registers won't clear. When power is first applied to the chip an internal power ON reset signal is generated which reset all registers and all latched. The ATART bit and first clock return the chip on its normal operation. Bit 1 is the first following the start bit and it will appear on the Figure 2 shows the timing relationship between data clock, and DATA ENABLE. A maximum clock frequency of 0.5 MHz is assumed.

FIGURE.1 Input Data Format

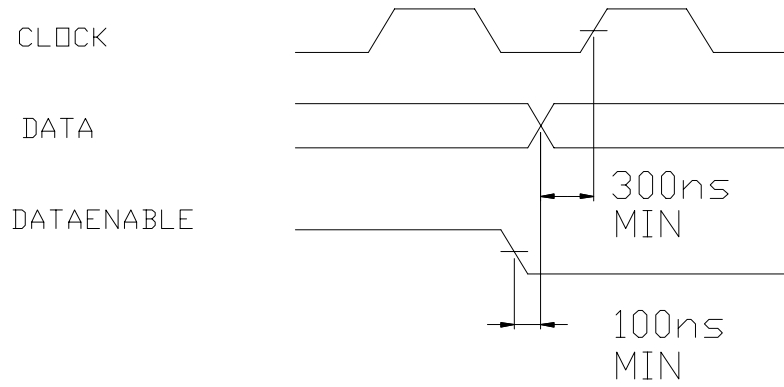


FIGURE.2 Timing Relationship

