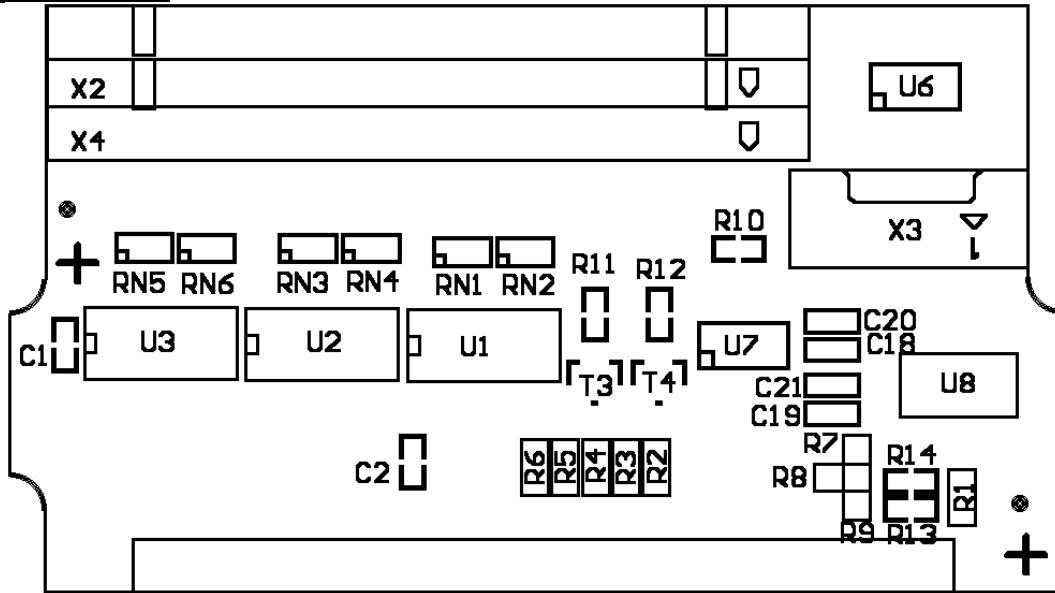


## Short Form Description



KAB-S6-LTM12C275 is used to connect Toshiba LTM12C275 type panels to JUMPtec's JIPA System. Panel Type is 18-bit TFT SVGA. Power supply is 5V

### Pinout X4: ( fitting connector: molex 51021-0700)

Pin:	Name:	Function:
1	BRIGHT	Analog Output 0..5V for example to control CCFL brightness via Software (CCFL-Inverter must support this function)
2	REF	internal use only
3	I2DAT	internal use only
4	I2CLK	internal use only
5	SW_BACK	Power output for external CCFL Inverter, max.current 1A, default set to 12V, can also be set to 5V / 3.3V (described later)
6	GND	GND
7	SW_VDD	Panel supply voltage, in this case 5V, for reference only

Note: Do not reference on the cable colors since they may vary

Possible configurations:

Backlight voltage

Jumper R7 shorted = 3.3V Backlight

Jumper R8 shorted = 5V Backlight

Jumper R9 shorted = 12V Backlight

!! Caution !! : Never short any of R7, R8 and R9 at the same time! This will cause damage to the system!