



ELECTRONICS

PRODUCT INFORMATION

ISSUED DATE : 2005-05-04

SAMSUNG TFT-LCD PRODUCT INFORMATION

MODEL : **LTM190E4-L31**

www.jxlcd.com

Note : This is Product Information is subject to change after 3 months of issuing date.

Product Planning Group 2, LCD Business

Samsung Electronics Co . , LTD.



SAMSUNG TFT-LCD

MODEL

001_LTM190E4-L31

Page

1/34

Contents

General Description ----- (3)

1. Absolute Maximum Ratings ----- (4)

2. Optical Characteristics ----- (6)

3. Electrical Characteristics ----- (11)

 3.1 TFT LCD Module

 3.2 Back Light Unit

4. Block Diagram ----- (16)

 4.1 TFT LCD Module

 4.2 Back Light Unit

5. Input Terminal Pin Assignment ----- (17)

 5.1 Input Signal & Power

 5.2 LVDS Interface

 5.3 Back Light Unit

 5.4 Input Signals, Basic Display Colors and Gray Scale of Each Color

6. Interface Timing ----- (26)

 6.1 Timing Parameters (DE only mode)

 6.2 Timing Diagrams of interface Signal (DE only mode)

 6.3 Power ON/OFF Sequence

 6.4 LVDS Input Characteristics

 6.5 VDD Power Dip Condition

7. Outline Dimension ----- (30)

8. General Precaution ----- (32)

 8.1 Handling

 8.2 Storage

 8.3 Operation

 8.4 Others

General Description

Description

LTM190E4-L31 is a color active matrix liquid crystal display (LCD) that uses amorphous silicon TFT(Thin Film Transistor) as switching components. This model is composed of a TFT LCD panel, a driver circuit and a back light unit. The resolution of a 19.0" is 1280 x 1024 and this model can display up to 16.7 millions colors.

Features

- High contrast ratio, high aperture structure
- PVA (Plus Viewing Angle) mode
- Wide Viewing Angle
- High speed response
- SXGA (1280 x 1024 pixels) resolution
- Low power consumption
- 2 dual CCFTs (Cold Cathode Fluorescent Tube)
- DE (Data Enable) only mode
- LVDS (Low Voltage Differential Signaling) interface (2pixel/clock)
- Compact Size Design
- RoHS compliance

Applications

- Workstation & desktop monitors
- Display terminals for AV application products
- Monitors for industrial machine

* If the module is used to other applications besides the above, please contact SEC in advance.

General Information

| Items | Specification | Unit | Note |
|---------------------|------------------------------|-------------------|------|
| Pixel Pitch | 0.294(H) x 0.294(W) | mm | |
| Active Display Area | 376.32(H) x 301.056(V) | mm | |
| Surface Treatment | Haze 44% , Hard-Coating (3H) | | |
| Display Colors | 16.7M | colors | |
| Number of Pixels | 1280 x 1024 | pixel | |
| Pixel Arrangement | RGB vertical stripe | | |
| Display Mode | Normally Black | | |
| Luminance of White | 250(Typ.) | cd/m ² | |

Mechanical Information

| Item | | Min. | Typ. | Max. | Unit | Note |
|-------------|----------------|-------|-------|-------|------|----------------------|
| Module size | Horizontal (H) | 395.5 | 396.0 | 396.5 | mm | w/o inverter ass'y |
| | Vertical (V) | 323.5 | 324.0 | 324.5 | Mm | |
| | Depth (D) | | | 17.0 | mm | |
| Weight | | | | 2,250 | g | LCD module only |
| | | | | - | g | w/ Inverter assembly |

Note (1) Mechanical tolerance is $\pm 0.5\text{mm}$ unless there is a special comment.

1. Absolute Maximum Ratings

If the condition exceeds maximum ratings, it can cause malfunction or unrecoverable damage to the device.

| Item | Symbol | Min. | Max. | Unit | Note |
|---------------------------------------|-----------|---------|------|------|------|
| Power Supply Voltage | V_{DD} | GND-0.5 | 6.5 | V | (1) |
| Storage temperature | T_{STG} | -20 | 65 | | (2) |
| Glass surface temperature (Operation) | T_{OPR} | 0 | 50 | | (2) |
| Shock (non - operating) | S_{nop} | - | 50 | G | (3) |
| Vibration (non - operating) | V_{nop} | - | 1.5 | G | (4) |

Note (1) $T_a = 25 \pm 2 \text{ }^\circ\text{C}$

- (2) Temperature and relative humidity range are shown in the figure below.
 - a. 90 % RH Max. ($T_a \leq 39^\circ\text{C}$)
 - b. Maximum wet-bulb temperature at 39°C or less. ($T_a \leq 39^\circ\text{C}$)
 - c. No condensation
- (3) 11ms, sine wave, one time for $\pm X$, $\pm Y$, $\pm Z$ axis
- (4) 10-300 Hz, Sweep rate 10min, 30min for X,Y,Z axis

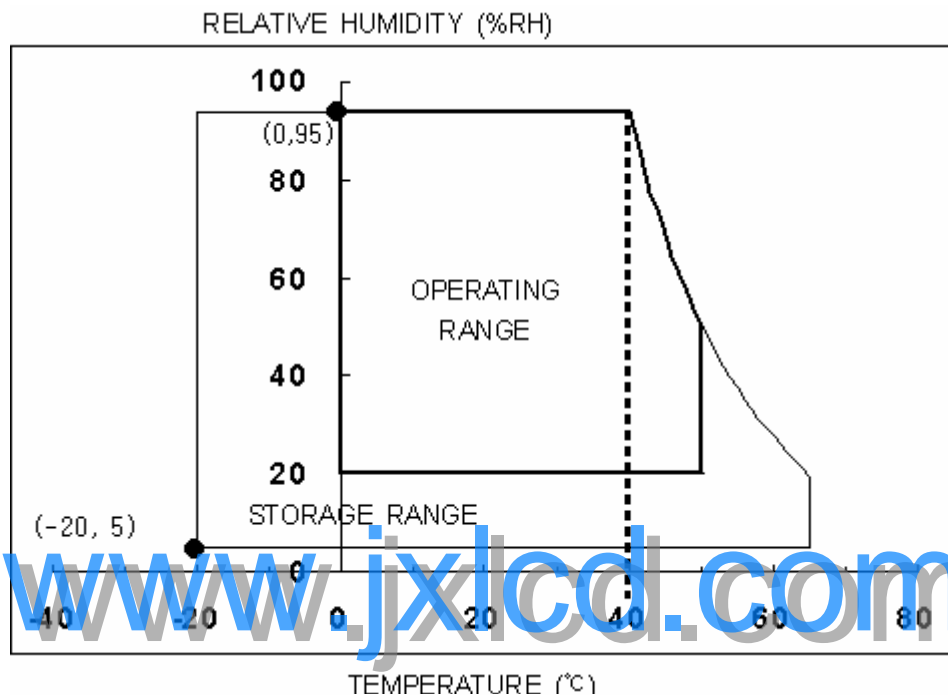


Fig. Temperature and Relative humidity range

2. Optical Characteristics

PRODUCT INFORMATION

The optical characteristics should be measured in a dark room or equivalent.

Measuring equipment : TOPCON BM-7,SPECTRORADIOMETER SR-3

(Ta = 25 ± 2°C, VDD=5V, fv= 60Hz, fDCLK=54MHz, IL =6.5mArms)

| Item | Symbol | Condition | Min. | Typ. | Max. | Unit | Note | | |
|--|----------------------------------|-----------|--|-------|-------|-------------------|-------------|-----------------|--|
| Contrast Ratio (Center of screen) | C/R | | - | 1500 | - | | (3) SR-3 | | |
| Response Time | Rising | Tr | - | 16 | 18 | msec | (5) BM-7 | | |
| | Falling | Tf | - | 9 | 12 | msec | | | |
| Luminance of White (Center of screen) | Y _L | | 200 | 250 | - | cd/m ² | (6) SR-3 | | |
| Color Chromaticity (CIE 1931) | Red | Rx | Normal L,R=0 u,D=0 Viewing Angle | 0.610 | 0.640 | 0.670 | | (7),(8) SR-3 | |
| | | Ry | | 0.300 | 0.330 | 0.360 | | | |
| | Green | Gx | | 0.270 | 0.300 | 0.330 | | | |
| | | Gy | | 0.570 | 0.600 | 0.630 | | | |
| | Blue | Bx | | 0.120 | 0.150 | 0.180 | | | |
| | | By | | 0.030 | 0.060 | 0.090 | | | |
| | White | Wx | | 0.283 | 0.313 | 0.343 | | | |
| | | Wy | | 0.299 | 0.329 | 0.359 | | | |
| | Color Chromaticity (CIE 1976) | Red | | Ru' | - | 0.451 | - | | |
| | | | | Rv' | - | 0.523 | - | | |
| Green | | Gu' | - | 0.125 | - | | | | |
| | | Gv' | - | 0.563 | - | | | | |
| Blue | | Bu' | - | 0.175 | - | | | | |
| | | Bv' | - | 0.158 | - | | | | |
| White | | Wu' | - | 0.198 | - | | | | |
| | | Wv' | - | 0.468 | - | | | | |
| C.G.L | White | u'v' | - | - | 0.02 | | (9) | | |

* C.G.L : Color Grayscale Linearity

(continue to the next page)

MODEL

001_LTM190E4-L31

Page

6/34

PRODUCT INFORMATION

| Item | Symbol | Condition | Min. | Typ. | Max. | Unit | Note | |
|----------------------------------|------------------|-----------|-------|------|------|------|-------------|-------------|
| Color Gamut | - | | - | 72 | - | % | | |
| Color Temperature | - | | - | 6500 | - | K | | |
| Viewing Angle | Hor. | L | CR 10 | - | 89 | - | Degrees | (8) SR-3 |
| | | R | | - | 89 | - | | |
| | Ver. | U | | - | 89 | - | | |
| | | D | | - | 89 | - | | |
| Brightness Uniformity (9 Points) | B _{uni} | | - | - | 25 | % | (4) SR-3 | |

Note (1) Test Equipment Setup

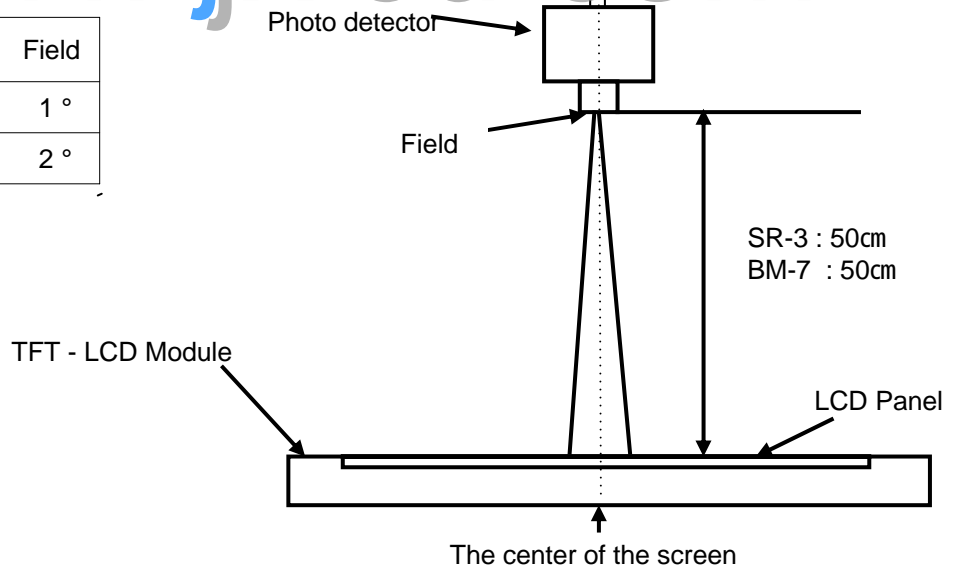
The measurement should be executed in a stable, windless and dark room between 30min after lighting the back light at the given temperature for stabilization of the back light. This should be measured in the center of screen.

Single lamp current : 6.5mA

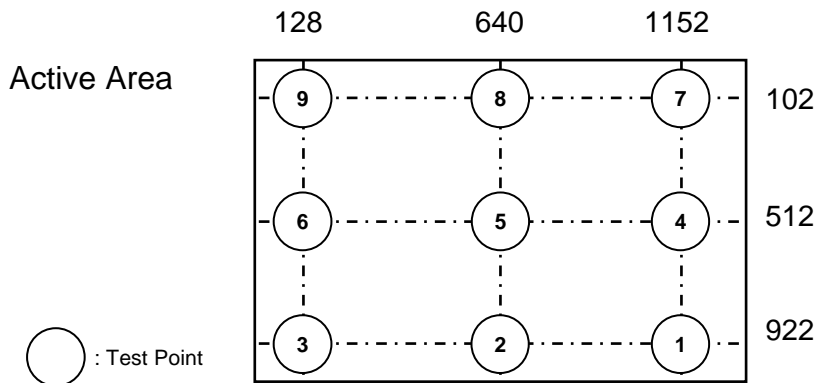
Environment condition : Ta = 25 ± 2 °C

| Photo detector | Field |
|----------------|-------|
| SR-3 | 1 ° |
| BM-7 | 2 ° |

www.jxlcd.com



Note (2) Definition of test point



Note (3) Definition of Contrast Ratio (C/R)

: Ratio of gray max (Gmax) & gray min (Gmin) at the center point of the panel

$$CR = \frac{G \max}{G \min}$$

Gmax : Luminance with all pixels white
 Gmin : Luminance with all pixels black

Note (4) Definition of 9 points brightness uniformity

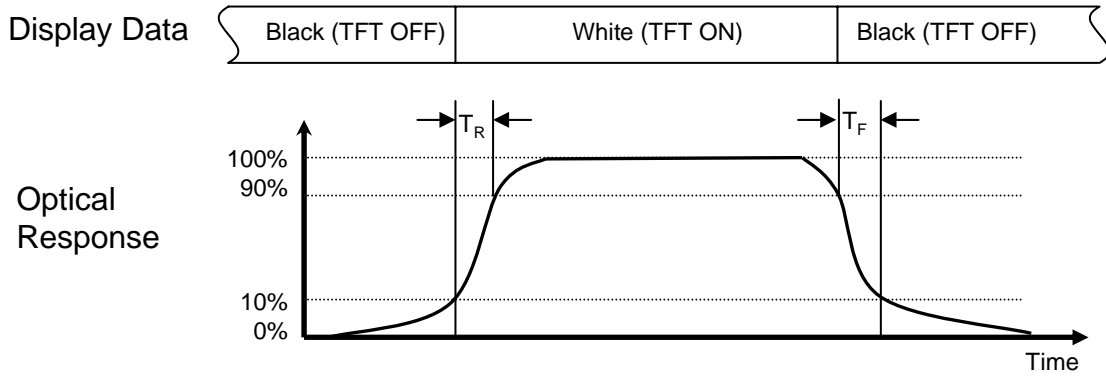
$$Buni = 100 \times \frac{(B \max - B \min)}{B \max}$$

Bmax : Maximum brightness

Bmin : Minimum brightness

Note (5) Definition of Response time

a. On/Off response time : Sum of T_r , T_f



Note (6) Definition of Luminance of White : Luminance of white at center point

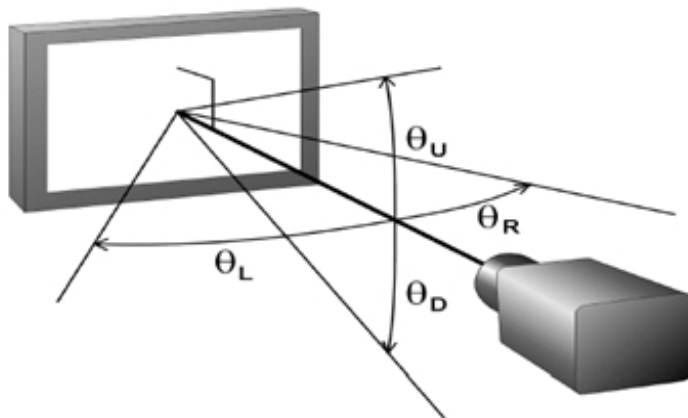
Note (7) Definition of Color Chromaticity (CIE 1931, CIE1976)

Color coordinate of Red, Green, Blue & White at center point

www.jxlcd.com

Note (8) Definition of Viewing Angle

: Viewing angle range (CR 10)



Note (9) Color Grayscale Linearity

- a. Test image : 100% full white pattern with a test pattern as below
- b. Test pattern : Squares, 40mm by 40mm in size, filled with 255, 225, 195, 165, 135 and 105 grays steps should be arranged at the center of the screen.



c. Test method

- 1st gray step : move a square of 255 gray level should be moved into the center of the screen and measure luminance and u' and v' coordinates.
- Next gray step : Move a 225 gray square into the center and measure both luminance and coordinates, too.

d. Test evaluation

$$\Delta u'v' = \sqrt{(u'_A - u'_B)^2 + (v'_A - v'_B)^2}$$

Where A, B : 2 gray levels found to have the largest color differences between them
 i.e. get the largest u' and v' of each 6 pair of u' and v' and calculate the $u'v'$.

3. Electrical Characteristics

3.1 TFT LCD Module

The connector for display data & timing signal should be connected.

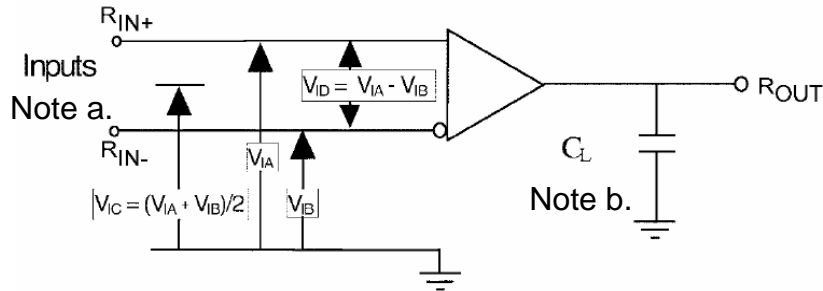
Ta = 25°C

| Item | Symbol | Min. | Typ. | Max. | Unit | Note | |
|----------------------------|--|--------------------|----------------------------|------|------------------------------|------|---------|
| Voltage of Power Supply | V _{DD} | 4.5 | 5.0 | 5.5 | V | (1) | |
| LVDS Input Characteristics | Differential Input Voltage for LVDS Receiver Threshold | High | - | - | +100 | mV | (2) |
| | | Low | -100 | - | - | mV | |
| | LVDS skew | t _{SKREW} | -340 | | 340 | | (3) |
| | Differential input voltage | V _{ID} | 200 | | 600 | mV | (4) |
| | Input voltage range (single-ended) | V _{IN} | 0 | | 2.4 | V | (4) |
| | Common mode voltage | V _{CM} | 0+ V _{ID} /2 | 1.2 | 2.4- V _{ID} /2 | V | (4) |
| Current of Power Supply | (a) Black | | - | 600 | - | mA | (5),(6) |
| | (b) White | I _{DD} | - | 700 | - | mA | |
| | (c) 2 Line Stripe | | - | 700 | 900 | mA | |
| Vsync Frequency | f _V | 55 | 60 | 76 | Hz | | |
| Hsync Frequency | f _H | 56.7 | 64 | 81.1 | kHz | | |
| Main Frequency | f _{DCLK} | 40.9 | 54 | 68.4 | MHz | | |
| Rush Current | I _{RUSH} | - | - | 4.0 | A | (7) | |

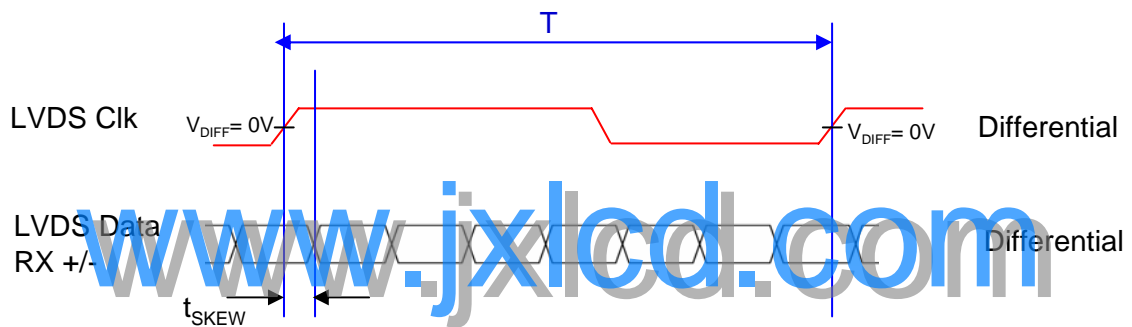
Note (1) The ripple voltage should be controlled under 10% of V_{DD}.

(2) Differential receiver voltage definitions and propagation delay and transition time test circuit

- a. All input pulses have frequency = 10MHz, t_R or $t_F=1ns$
- b. C_L includes all probe and fixture capacitance



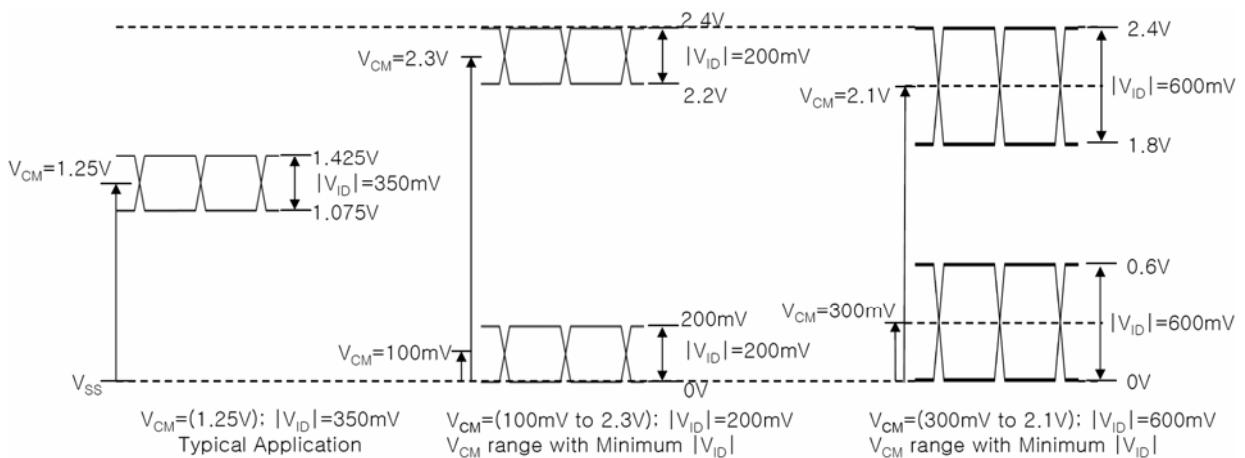
(3) LVDS Receiver DC parameters are measured under static and steady conditions which may not be reflective of its performance in the end application.



where t_{skew} : skew between LVDS clock & LVDS data,
 T : 1 period time of LVDS clock

cf) (-/+) of 340psec means LVDS data goes before or after LVDS clock.

(4) Definition of V_{ID} and V_{CM} using single-end signals



3.2 Back Light Unit

The back light unit is an edge - lighting type with 2 dual CCFTs (Cold Cathode Fluorescent Tube) The characteristics of two dual lamps are shown in the following tables.

Ta=25 ± 2°C

| Item | Symbol | Min. | Typ. | Max. | Unit | Note | |
|---------------------|-----------------|--------|--------|-------|--------|------|-----|
| Lamp Current | I_L | 3.0 | 6.5 | 7.0 | mArms | (1) | |
| Lamp Voltage | V_L | - | 710 | - | Vrms | | |
| Lamp Frequency | f_L | 40 | - | 80 | kHz | (2) | |
| Operating Life Time | Hr | 50,000 | - | - | Hour | (3) | |
| Inverter waveform | Asymmetry rate | Wasy | - | - | 10 | % | (4) |
| | Distortion rate | Wdis | 1.2726 | 1.414 | 1.5554 | | |
| Startup Voltage | V_s | - | - | 0 | Vrms | (5) | |
| | | | | 25 | | | |

Note (1) Specified values are for a single lamp.

Lamp current is measured with current meter for high frequency as shown below.

Refer to the following block diagram of the back light unit for more information.

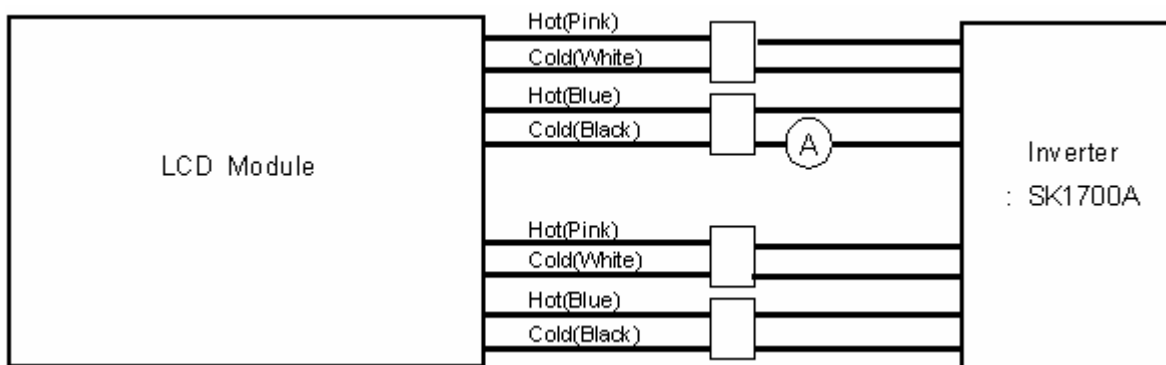


Fig. Measurement point of Lamp Current

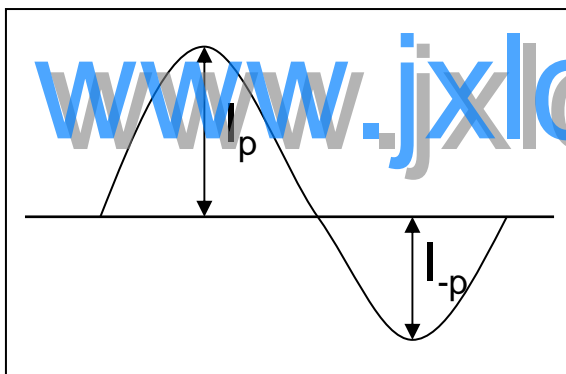
(2) Lamp frequency which may produce interference with horizontal synchronous frequency may cause line flow on the display. Therefore lamp frequency should be detached from the horizontal synchronous frequency and its harmonics as far as possible in order to avoid interference.

(3) Life time (Hr) is defined as the time when brightness of a lamp unit itself becomes 50% or less than its original value at the condition of $T_a = 25 \pm 2^\circ\text{C}$ and $I_L = 6.5\text{mA}_{rms}$

(4) Designing a system inverter intended to have better display performance, power efficiency and lamp reliability.

They would help increase the lamp lifetime and reduce leakage current.

- a. The measurement should be done at typical lamp current.
- b. The asymmetry rate of the inverter waveform should be less than 10%.
- c. The distortion rate of the waveform should be ≤ 2 with $\pm 10\%$ tolerance.
 - Inverter output waveform had better be more similar to ideal sine wave.



▪ Asymmetry rate

$$\frac{|I_p - I_{-p}|}{I_{rms}} \times 100$$

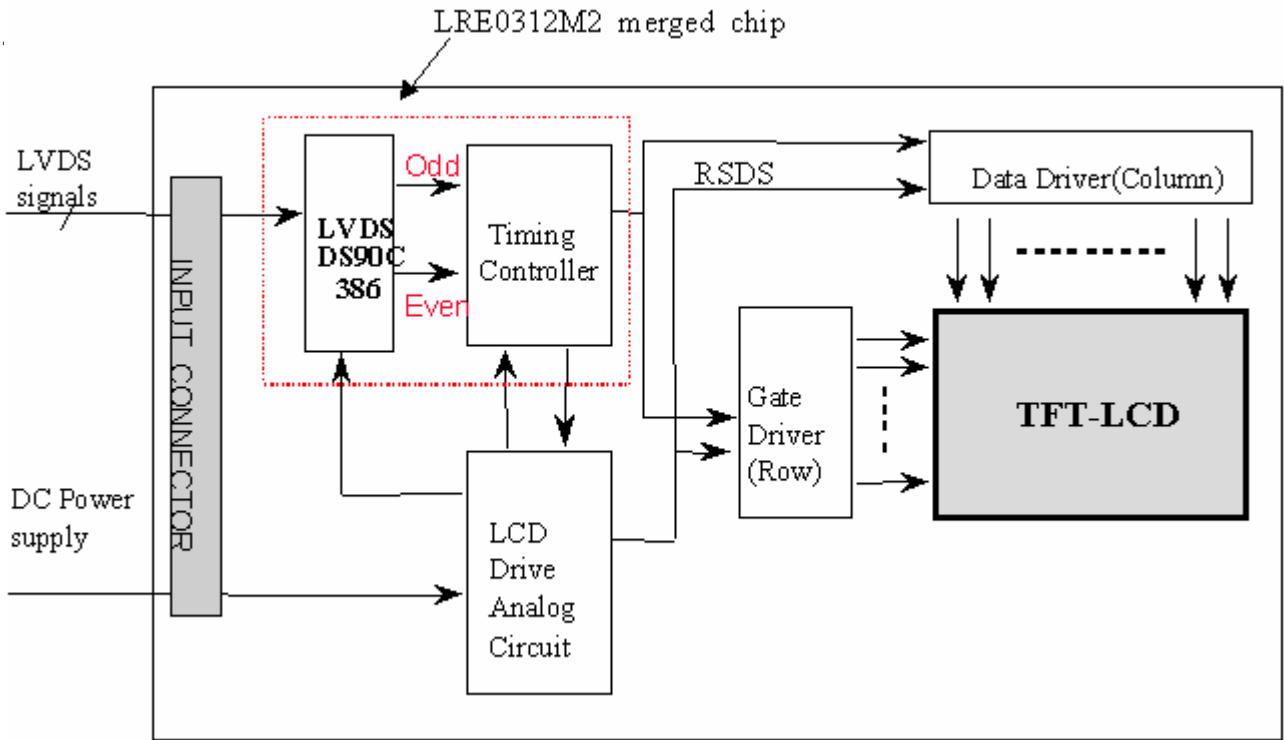
▪ Distortion rate

$$\left| \frac{I_p}{I_{rms}} \right| \text{ or } \left| \frac{I_{-p}}{I_{rms}} \right|$$

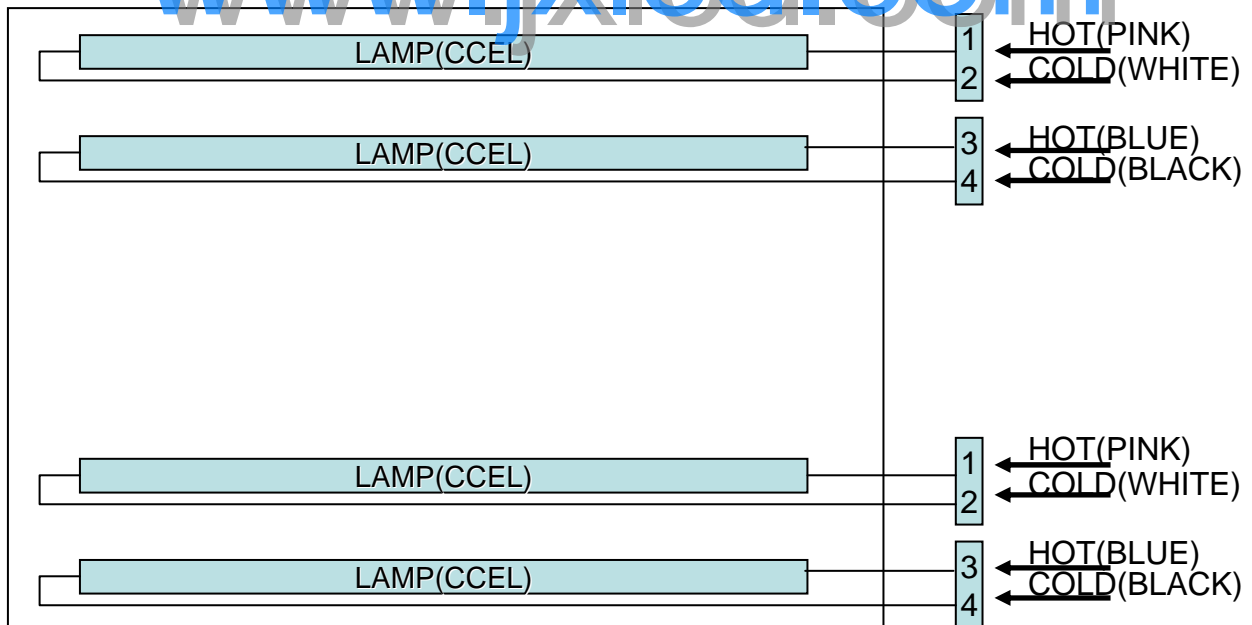
Fig. Wave form of the inverter

(5) If an inverter has shutdown function, it should keep its output for over 1 second even if the lamp connector is open. Otherwise the lamps may not be turned on.

4. BLOCK DIAGRAM



4.2 Back Light Unit



5. Input Terminal Pin Assignment

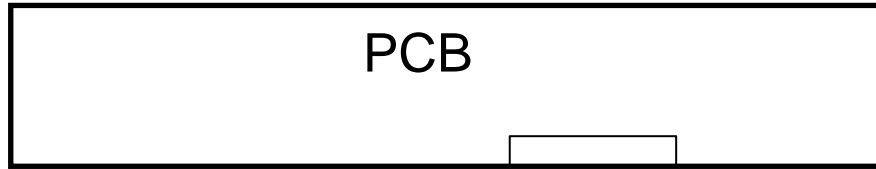
5.1. Input Signal & Power (Connector : UJU IS100-L300-C23 or equivalent)

| PIN NO | SYMBOL | FUNCTION |
|--------|-----------------|---|
| 1 | RX00- | Negative Transmission Data of Pixel 0 (ODD data) |
| 2 | RX00+ | Positive Transmission Data of Pixel 0 (ODD data) |
| 3 | RX01- | Negative Transmission Data of Pixel 1 (ODD data) |
| 4 | RX01+ | Positive Transmission Data of Pixel 1 (ODD data) |
| 5 | RX02- | Negative Transmission Data of Pixel 2 (ODD data) |
| 6 | RX02+ | Positive Transmission Data of Pixel 2 (ODD data) |
| 7 | GND | Power Ground |
| 8 | RXOC- | Negative Sampling Clock (ODD data) |
| 9 | RXOC+ | Positive Sampling Clock (ODD data) |
| 10 | RX03- | Negative Transmission Data of Pixel 3 (ODD data) |
| 11 | RX03+ | Positive Transmission Data of Pixel 3 (ODD data) |
| 12 | RXE0- | Negative Transmission Data of Pixel 0 (EVEN data) |
| 13 | RXE0+ | Positive Transmission Data of Pixel 0 (EVEN data) |
| 14 | GND | Power Ground |
| 15 | RXE1- | Negative Transmission Data of Pixel 1 (EVEN data) |
| 16 | RXE1+ | Positive Transmission Data of Pixel 1 (EVEN data) |
| 17 | GND | Power Ground |
| 18 | RXE2- | Negative Transmission Data of Pixel 2 (EVEN data) |
| 19 | RXE2+ | Positive Transmission Data of Pixel 2 (EVEN data) |
| 20 | RXEC- | Negative Sampling Clock (EVEN data) |
| 21 | RXEC+ | Positive Sampling Clock (EVEN data) |
| 22 | RXE3- | Negative Transmission Data of Pixel 3 (EVEN data) |
| 23 | RXE3+ | Positive Transmission Data of Pixel 3 (EVEN data) |
| 24 | GND | Power Ground |
| 25 | *CE | For LCD internal use only. Do not Connection |
| 26 | *CTL | For LCD internal use only. Do not Connection |
| 27 | TEST | For LCD internal use only. Do not Connection |
| 28 | V _{DD} | Power Supply : +5V |
| 29 | V _{DD} | |
| 30 | V _{DD} | |

* If the system already uses the 25, 26pins, it should keep under GND level
The voltage applied to those pins should not exceed -200mV.

| | | | |
|-------|------------------|------|-------|
| MODEL | 001_LTM190E4-L31 | Page | 17/34 |
|-------|------------------|------|-------|

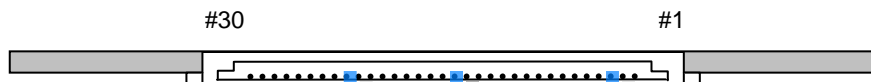
Note) Pin number starts from Right side



Pin No. 30 Pin No. 1



(UJU IS100-L300-C23 or Compatible)



www.jxlcd.com
Fig. Connector diagram

- a. All GND pins should be connected together and also be connected to the LCD's metal chassis.
- b. All power input pins should be connected together.
- c. All NC pins should be separated from other signal or power.

5.2 LVDS Interface

5.2.1 Odd Pixel Data (1st pixel data)

| 1st LVDS Transmitter (<i>DS90C383</i> , <i>DS90C385</i>) Signal Interface | | | | | | |
|---|--------|---------------------|----------------------------|--------------------|-------------------------------|----------------|
| Device Input Pin | | Device Input Signal | | Output Signal | To LTM190E4 Interface (CN1) | |
| No | Symbol | Symbol | Function | | Terminal | Symbol |
| 51 | TXIN0 | RO0 | Red Odd Pixel Data (LSB) | TXOUT0- TXOUT0+ | No. 1 No. 2 | RXO0- RXO0+ |
| 52 | TXIN1 | RO1 | Red Odd Pixel Data | | | |
| 54 | TXIN2 | RO2 | Red Odd Pixel Data | | | |
| 55 | TXIN3 | RO3 | Red Odd Pixel Data | | | |
| 56 | TXIN4 | RO4 | Red Odd Pixel Data | | | |
| 2 | TXIN5 | RO7 | Red Odd Pixel Data (MSB) | TXOUT3- TXOUT3+ | No. 10 No. 11 | RXO3- RXO3+ |
| 3 | TXIN6 | RO5 | Red Odd Pixel Data | TXOUT0- TXOUT0+ | No. 1 No. 2 | RXO0- RXO0+ |
| 4 | TXIN7 | GO0 | Green Odd Pixel Data (LSB) | | | |
| 6 | TXIN8 | GO1 | Green Odd Pixel Data | TXOUT1- TXOUT1+ | No. 3 No. 4 | RXO1- RXO1+ |
| 7 | TXIN9 | GO2 | Green Odd Pixel Data | | | |
| 8 | TXIN10 | GO6 | Green Odd Pixel Data | TXOUT3- TXOUT3+ | No. 10 No. 11 | RXO3- RXO3+ |
| 10 | TXIN11 | GO7 | Green Odd Pixel Data (MSB) | | | |
| 11 | TXIN12 | GO3 | Green Odd Pixel Data | TXOUT1- TXOUT1+ | No. 3 No. 4 | RXO1- RXO1+ |
| 12 | TXIN13 | GO4 | Green Odd Pixel Data | | | |
| 14 | TXIN14 | GO5 | Green Odd Pixel Data | | | |
| 15 | TXIN15 | BO0 | Blue Odd Pixel Data (LSB) | | | |
| 16 | TXIN16 | BO6 | Blue Odd Pixel Data | TXOUT3- TXOUT3+ | No. 10 No. 11 | RXO3- RXO3+ |
| 18 | TXIN17 | BO7 | Blue Odd Pixel Data (MSB) | | | |
| 19 | TXIN18 | BO1 | Blue Odd Pixel Data | TXOUT1- TXOUT1+ | No. 3 No. 4 | RXO1- RXO1+ |
| 20 | TXIN19 | BO2 | Blue Odd Pixel Data | TXOUT2- TXOUT2+ | No. 5 No. 6 | RXO2- RXO2+ |
| 22 | TXIN20 | BO3 | Blue Odd Pixel Data | | | |
| 23 | TXIN21 | BO4 | Blue Odd Pixel Data | | | |
| 24 | TXIN22 | BO5 | Blue Odd Pixel Data | | | |
| 50 | TXIN27 | RO6 | Red Odd Pixel Data | TXOUT3- TXOUT3+ | No. 10 No. 11 | RXO3- RXO3+ |

5.2.2 Even Pixel Data (2nd pixel data)

| 2nd LVDS Transmitter (<i>DS90C383, DS90C385</i>) Signal Interface | | | | | | |
|---|--------|---------------------|-----------------------------|--------------------|-------------------------------|----------------|
| Device Input Pin | | Device Input Signal | | Output Signal | To LTM190E4 Interface (CN1) | |
| No | Symbol | Symbol | Function | | Terminal | Symbol |
| 51 | TXIN0 | RE0 | Red Even Pixel Data (LSB) | TXOUT0- TXOUT0+ | No. 12 No. 13 | RXE0- RXE0+ |
| 52 | TXIN1 | RE1 | Red Even Pixel Data | | | |
| 54 | TXIN2 | RE2 | Red Even Pixel Data | | | |
| 55 | TXIN3 | RE3 | Red Even Pixel Data | | | |
| 56 | TXIN4 | RE4 | Red Even Pixel Data | | | |
| 2 | TXIN5 | RE7 | Red Even Pixel Data (MSB) | TXOUT3- TXOUT3+ | No. 22 No. 23 | RXE3- RXE3+ |
| 3 | TXIN6 | RE5 | Red Even Pixel Data | TXOUT0- TXOUT0+ | No. 12 No. 13 | RXE0- RXE0+ |
| 4 | TXIN7 | GE0 | Green Even Pixel Data (LSB) | | | |
| 6 | TXIN8 | GE1 | Green Even Pixel Data | TXOUT1- TXOUT1+ | No. 15 No. 16 | RXE1- RXE1+ |
| 7 | TXIN9 | GE2 | Green Even Pixel Data | | | |
| 8 | TXIN10 | GE6 | Green Even Pixel Data | TXOUT3- TXOUT3+ | No. 22 No. 23 | RXE3- RXE3+ |
| 10 | TXIN11 | GE7 | Green Even Pixel Data (MSB) | | | |
| 11 | TXIN12 | GE3 | Green Even Pixel Data | TXOUT1- TXOUT1+ | No. 15 No. 16 | RXE1- RXE1+ |
| 12 | TXIN13 | GE4 | Green Even Pixel Data | | | |
| 14 | TXIN14 | GE5 | Green Even Pixel Data | | | |
| 15 | TXIN15 | BE0 | Blue Even Pixel Data (LSB) | | | |
| 16 | TXIN16 | BE6 | Blue Even Pixel Data | TXOUT3- TXOUT3+ | No. 22 No. 23 | RXE3- RXE3+ |
| 18 | TXIN17 | BE7 | Blue Even Pixel Data (MSB) | | | |
| 19 | TXIN18 | BE1 | Blue Even Pixel Data | TXOUT1- TXOUT1+ | No. 15 No. 16 | RXE1- RXE1+ |
| 20 | TXIN19 | BE2 | Blue Even Pixel Data | TXOUT2- TXOUT2+ | No. 18 No. 19 | RXE2- RXE2+ |
| 22 | TXIN20 | BE3 | Blue Even Pixel Data | | | |
| 23 | TXIN21 | BE4 | Blue Even Pixel Data | | | |
| 24 | TXIN22 | BE5 | Blue Even Pixel Data | | | |
| 50 | TXIN27 | RE6 | Red Even Pixel Data | TXOUT3- TXOUT3+ | No. 22 No. 23 | RXE3- RXE3+ |

5.3 LVDS Interface(2)

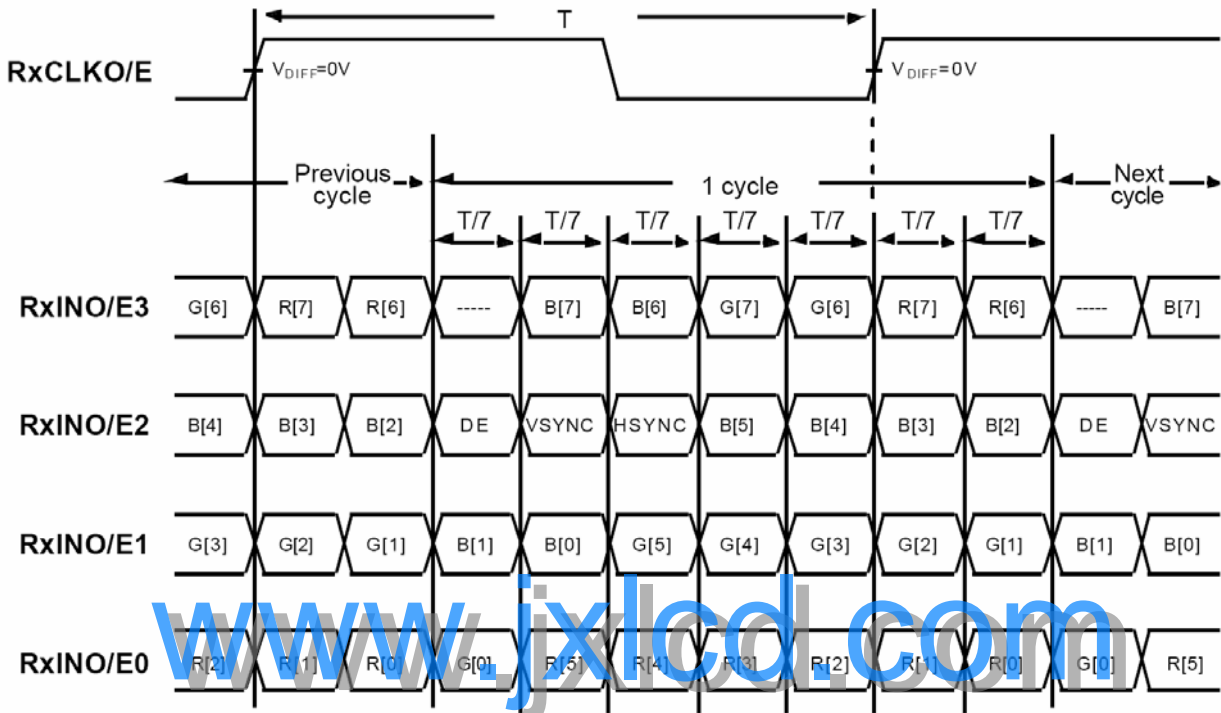
5.3.1 Odd Pixel Data (1st pixel data)

| LVDS Transmitter (<i>DS90C387</i>) Signal Interface | | | | | | |
|---|--------|---------------------|----------------------------|---------------|-------------------------------|----------------|
| Device Input Pin | | Device Input Signal | | Output Signal | To LTM190E4 Interface (CN1) | |
| No | Symbol | Symbol | Function | | Terminal | Symbol |
| 10 | R10 | RO0 | Red Odd Pixel Data (LSB) | A0M A0P | No. 1 No. 2 | RXO0- RXO0+ |
| 9 | R11 | RO1 | Red Odd Pixel Data | | | |
| 8 | R12 | RO2 | Red Odd Pixel Data | | | |
| 7 | R13 | RO3 | Red Odd Pixel Data | | | |
| 6 | R14 | RO4 | Red Odd Pixel Data | | | |
| 3 | R17 | RO7 | Red Odd Pixel Data (MSB) | A3M A3P | No. 10 No. 11 | RXO3- RXO3+ |
| 5 | R15 | RO5 | Red Odd Pixel Data | A0M A0P | No. 1 No. 2 | RXO0- RXO0+ |
| 2 | G10 | GO0 | Green Odd Pixel Data (LSB) | | | |
| 1 | G11 | GO1 | Green Odd Pixel Data | A1M A1P | No. 3 No. 4 | RXO1- RXO1+ |
| 100 | G12 | GO2 | Green Odd Pixel Data | | | |
| 94 | G16 | GO6 | Green Odd Pixel Data | A3M A3P | No. 10 No. 11 | RXO3- RXO3+ |
| 93 | G17 | GO7 | Green Odd Pixel Data (MSB) | | | |
| 99 | G13 | GO3 | Green Odd Pixel Data | A1M A1P | No. 3 No. 4 | RXO1- RXO1+ |
| 96 | G14 | GO4 | Green Odd Pixel Data | | | |
| 95 | G15 | GO5 | Green Odd Pixel Data | | | |
| 92 | B10 | BO0 | Blue Odd Pixel Data (LSB) | | | |
| 86 | B16 | BO6 | Blue Odd Pixel Data | A3M A3P | No. 10 No. 11 | RXO3- RXO3+ |
| 85 | B17 | BO7 | Blue Odd Pixel Data (MSB) | | | |
| 91 | B11 | BO1 | Blue Odd Pixel Data | A1M A1P | No. 3 No. 4 | RXO1- RXO1+ |
| 90 | B12 | BO2 | Blue Odd Pixel Data | | | |
| 89 | B13 | BO3 | Blue Odd Pixel Data | A2M A2P | No. 5 No. 6 | RXO2- RXO2+ |
| 88 | B14 | BO4 | Blue Odd Pixel Data | | | |
| 87 | B15 | BO5 | Blue Odd Pixel Data | | | |
| 4 | R16 | RO6 | Red Odd Pixel Data | A3M A3P | No. 10 No. 11 | RXO3- RXO3+ |

5.3.2 Even Pixel Data (2nd pixel data)

| LVDS Transmitter (<i>DS90C387</i>) Signal Interface | | | | | | |
|---|--------|---------------------|-----------------------------|---------------|-------------------------------|----------------|
| Device Input Pin | | Device Input Signal | | Output Signal | To LTM190E4 Interface (CN1) | |
| No | Symbol | Symbol | Function | | Terminal | Symbol |
| 84 | R20 | RE0 | Red Even Pixel Data (LSB) | A4M A4P | No. 12 No. 13 | RXE0- RXE0+ |
| 81 | R21 | RE1 | Red Even Pixel Data | | | |
| 80 | R22 | RE2 | Red Even Pixel Data | | | |
| 79 | R23 | RE3 | Red Even Pixel Data | | | |
| 78 | R24 | RE4 | Red Even Pixel Data | | | |
| 75 | R27 | RE7 | Red Even Pixel Data (MSB) | A7M A7P | No. 22 No. 23 | RXE3- RXE3+ |
| 77 | R25 | RE5 | Red Even Pixel Data | A4M A4P | No. 12 No. 13 | RXE0- RXE0+ |
| 74 | G20 | GE0 | Green Even Pixel Data (LSB) | | | |
| 73 | G21 | GE1 | Green Even Pixel Data | A5M A5P | No. 15 No. 16 | RXE1- RXE1+ |
| 72 | G22 | GE2 | Green Even Pixel Data | | | |
| 66 | G26 | GE6 | Green Even Pixel Data | A7M A7P | No. 22 No. 23 | RXE3- RXE3+ |
| 65 | G27 | GE7 | Green Even Pixel Data (MSB) | | | |
| 71 | G23 | GE3 | Green Even Pixel Data | A5M A5P | No. 15 No. 16 | RXE1- RXE1+ |
| 70 | G24 | GE4 | Green Even Pixel Data | | | |
| 69 | G25 | GE5 | Green Even Pixel Data | | | |
| 64 | B20 | BE0 | Blue Even Pixel Data (LSB) | | | |
| 58 | B26 | BE6 | Blue Even Pixel Data | | | |
| 57 | B27 | BE7 | Blue Even Pixel Data (MSB) | A7M A7P | No. 22 No. 23 | RXE3- RXE3+ |
| 63 | B21 | BE1 | Blue Even Pixel Data | A5M A5P | No. 15 No. 16 | RXE1- RXE1+ |
| 62 | B22 | BE2 | Blue Even Pixel Data | A6M A6P | No. 18 No. 19 | RXE2- RXE2+ |
| 61 | B23 | BE3 | Blue Even Pixel Data | | | |
| 60 | B24 | BE4 | Blue Even Pixel Data | | | |
| 59 | B25 | BE5 | Blue Even Pixel Data | | | |
| 76 | R26 | RE6 | Red Even Pixel Data | A7M A7P | No. 22 No. 23 | RXE3- RXE3+ |

5.3.3 Timing Diagrams of LVDS For Transmitting
 LVDS Receiver : Integrated T-CON



5.4 Back Light Unit

| | Pin No. | Input | Color | Function |
|-------|---------------------------|----------------------------------|-------|--------------|
| Upper | 1 | Hot – 1 | Pink | High Voltage |
| | 2 | Cold – 1 | White | Ground |
| | 3 | Hot – 2 | Blue | High Voltage |
| | 4 | Cold – 2 | Black | Ground |
| Lower | 1 | Hot – 1 | Pink | High Voltage |
| | 2 | Cold – 1 | White | Ground |
| | 3 | Hot – 2 | Blue | High Voltage |
| | 4 | Cold – 2 | Black | Ground |
| | Connect or Part No. | Yeonho 35001HS-02L or equivalent | | |

www.jxlcd.com

5.5 Input Signals, Basic Display Colors and Gray Scale of Each Color

| COLO R | DISPLAY (8bit) | DATA SIGNAL | | | | | | | | | | | | | | | | | | | | | | | | GRAY SCALE LEVEL |
|---------------------|----------------|-------------|----|----|----|----|----|----|-------|----|----|----|----|----|----|------|----|----|----|----|----|----|----|------|---------|------------------|
| | | RED | | | | | | | GREEN | | | | | | | BLUE | | | | | | | | | | |
| | | R0 | R1 | R2 | R3 | R4 | R5 | R6 | R7 | G0 | G1 | G2 | G3 | G4 | G5 | G6 | G7 | B0 | B1 | B2 | B3 | B4 | B5 | B6 | B7 | |
| BASIC COLO R | BLACK | 0 | 0 | 0 | 0 | 0 | 0 | 0 | 0 | 0 | 0 | 0 | 0 | 0 | 0 | 0 | 0 | 0 | 0 | 0 | 0 | 0 | 0 | 0 | 0 | - |
| | BLUE | 0 | 0 | 0 | 0 | 0 | 0 | 0 | 0 | 0 | 0 | 0 | 0 | 0 | 0 | 0 | 0 | 1 | 1 | 1 | 1 | 1 | 1 | 1 | 1 | - |
| | GREEN | 0 | 0 | 0 | 0 | 0 | 0 | 0 | 0 | 1 | 1 | 1 | 1 | 1 | 1 | 1 | 1 | 0 | 0 | 0 | 0 | 0 | 0 | 0 | 0 | - |
| | CYAN | 0 | 0 | 0 | 0 | 0 | 0 | 0 | 0 | 1 | 1 | 1 | 1 | 1 | 1 | 1 | 1 | 1 | 1 | 1 | 1 | 1 | 1 | 1 | 1 | - |
| | RED | 1 | 1 | 1 | 1 | 1 | 1 | 1 | 1 | 0 | 0 | 0 | 0 | 0 | 0 | 0 | 0 | 0 | 0 | 0 | 0 | 0 | 0 | 0 | 0 | - |
| | MAGENTA | 1 | 1 | 1 | 1 | 1 | 1 | 1 | 1 | 0 | 0 | 0 | 0 | 0 | 0 | 0 | 0 | 1 | 1 | 1 | 1 | 1 | 1 | 1 | 1 | - |
| | YELLOW | 1 | 1 | 1 | 1 | 1 | 1 | 1 | 1 | 1 | 1 | 1 | 1 | 1 | 1 | 1 | 1 | 0 | 0 | 0 | 0 | 0 | 0 | 0 | 0 | - |
| | WHITE | 1 | 1 | 1 | 1 | 1 | 1 | 1 | 1 | 1 | 1 | 1 | 1 | 1 | 1 | 1 | 1 | 1 | 1 | 1 | 1 | 1 | 1 | 1 | 1 | - |
| GRAY SCALE OF RED | BLACK | 0 | 0 | 0 | 0 | 0 | 0 | 0 | 0 | 0 | 0 | 0 | 0 | 0 | 0 | 0 | 0 | 0 | 0 | 0 | 0 | 0 | 0 | 0 | R0 | |
| | DARK | 1 | 0 | 0 | 0 | 0 | 0 | 0 | 0 | 0 | 0 | 0 | 0 | 0 | 0 | 0 | 0 | 0 | 0 | 0 | 0 | 0 | 0 | 0 | R1 | |
| | | 0 | 1 | 0 | 0 | 0 | 0 | 0 | 0 | 0 | 0 | 0 | 0 | 0 | 0 | 0 | 0 | 0 | 0 | 0 | 0 | 0 | 0 | 0 | R2 | |
| | | : | : | : | : | : | : | : | : | : | : | : | : | : | : | : | : | : | : | : | : | : | : | : | R3~R252 | |
| | | : | : | : | : | : | : | : | : | : | : | : | : | : | : | : | : | : | : | : | : | : | : | : | | |
| | LIGHT | 1 | 0 | 1 | 1 | 1 | 1 | 1 | 1 | 0 | 0 | 0 | 0 | 0 | 0 | 0 | 0 | 0 | 0 | 0 | 0 | 0 | 0 | 0 | R253 | |
| | 0 | 1 | 1 | 1 | 1 | 1 | 1 | 1 | 1 | 0 | 0 | 0 | 0 | 0 | 0 | 0 | 0 | 0 | 0 | 0 | 0 | 0 | 0 | 0 | R254 | |
| RED | 1 | 1 | 1 | 1 | 1 | 1 | 1 | 1 | 0 | 0 | 0 | 0 | 0 | 0 | 0 | 0 | 0 | 0 | 0 | 0 | 0 | 0 | 0 | R255 | | |
| GRAY SCALE OF GREEN | BLACK | 0 | 0 | 0 | 0 | 0 | 0 | 0 | 0 | 0 | 0 | 0 | 0 | 0 | 0 | 0 | 0 | 0 | 0 | 0 | 0 | 0 | 0 | 0 | G0 | |
| | DARK | 0 | 0 | 0 | 0 | 0 | 0 | 0 | 0 | 1 | 0 | 0 | 0 | 0 | 0 | 0 | 0 | 0 | 0 | 0 | 0 | 0 | 0 | 0 | G1 | |
| | | 0 | 0 | 0 | 0 | 0 | 0 | 0 | 0 | 0 | 1 | 0 | 0 | 0 | 0 | 0 | 0 | 0 | 0 | 0 | 0 | 0 | 0 | 0 | G2 | |
| | | : | : | : | : | : | : | : | : | : | : | : | : | : | : | : | : | : | : | : | : | : | : | : | G3~G252 | |
| | | : | : | : | : | : | : | : | : | : | : | : | : | : | : | : | : | : | : | : | : | : | : | : | | |
| | LIGHT | 0 | 0 | 0 | 0 | 0 | 0 | 0 | 0 | 1 | 0 | 1 | 1 | 1 | 1 | 1 | 1 | 0 | 0 | 0 | 0 | 0 | 0 | 0 | G253 | |
| | 0 | 0 | 0 | 0 | 0 | 0 | 0 | 0 | 0 | 1 | 1 | 1 | 1 | 1 | 1 | 1 | 1 | 0 | 0 | 0 | 0 | 0 | 0 | 0 | G254 | |
| GREEN | 0 | 0 | 0 | 0 | 0 | 0 | 0 | 0 | 1 | 1 | 1 | 1 | 1 | 1 | 1 | 1 | 0 | 0 | 0 | 0 | 0 | 0 | 0 | G255 | | |
| GRAY SCALE OF BLUE | BLACK | 0 | 0 | 0 | 0 | 0 | 0 | 0 | 0 | 0 | 0 | 0 | 0 | 0 | 0 | 0 | 0 | 0 | 0 | 0 | 0 | 0 | 0 | 0 | B0 | |
| | DARK | 0 | 0 | 0 | 0 | 0 | 0 | 0 | 0 | 0 | 0 | 0 | 0 | 0 | 0 | 0 | 0 | 1 | 0 | 0 | 0 | 0 | 0 | 0 | B1 | |
| | | 0 | 0 | 0 | 0 | 0 | 0 | 0 | 0 | 0 | 0 | 0 | 0 | 0 | 0 | 0 | 0 | 0 | 1 | 0 | 0 | 0 | 0 | 0 | B2 | |
| | | : | : | : | : | : | : | : | : | : | : | : | : | : | : | : | : | : | : | : | : | : | : | : | B3~B252 | |
| | | : | : | : | : | : | : | : | : | : | : | : | : | : | : | : | : | : | : | : | : | : | : | : | | |
| | LIGHT | 0 | 0 | 0 | 0 | 0 | 0 | 0 | 0 | 0 | 0 | 0 | 0 | 0 | 0 | 0 | 0 | 1 | 0 | 1 | 1 | 1 | 1 | 1 | B253 | |
| | 0 | 0 | 0 | 0 | 0 | 0 | 0 | 0 | 0 | 0 | 0 | 0 | 0 | 0 | 0 | 0 | 0 | 1 | 1 | 1 | 1 | 1 | 1 | 1 | B254 | |
| BLUE | 0 | 0 | 0 | 0 | 0 | 0 | 0 | 0 | 0 | 0 | 0 | 0 | 0 | 0 | 0 | 0 | 1 | 1 | 1 | 1 | 1 | 1 | 1 | B255 | | |

Note (1) Definition of Gray :

Rn : Red Gray, Gn : Green Gray, Bn : Blue Gray (n = Gray level)

Input Signal : 0 = Low level voltage, 1 = High level voltage

6. Interface Timing

6.1 Timing Parameters (DE only mode)

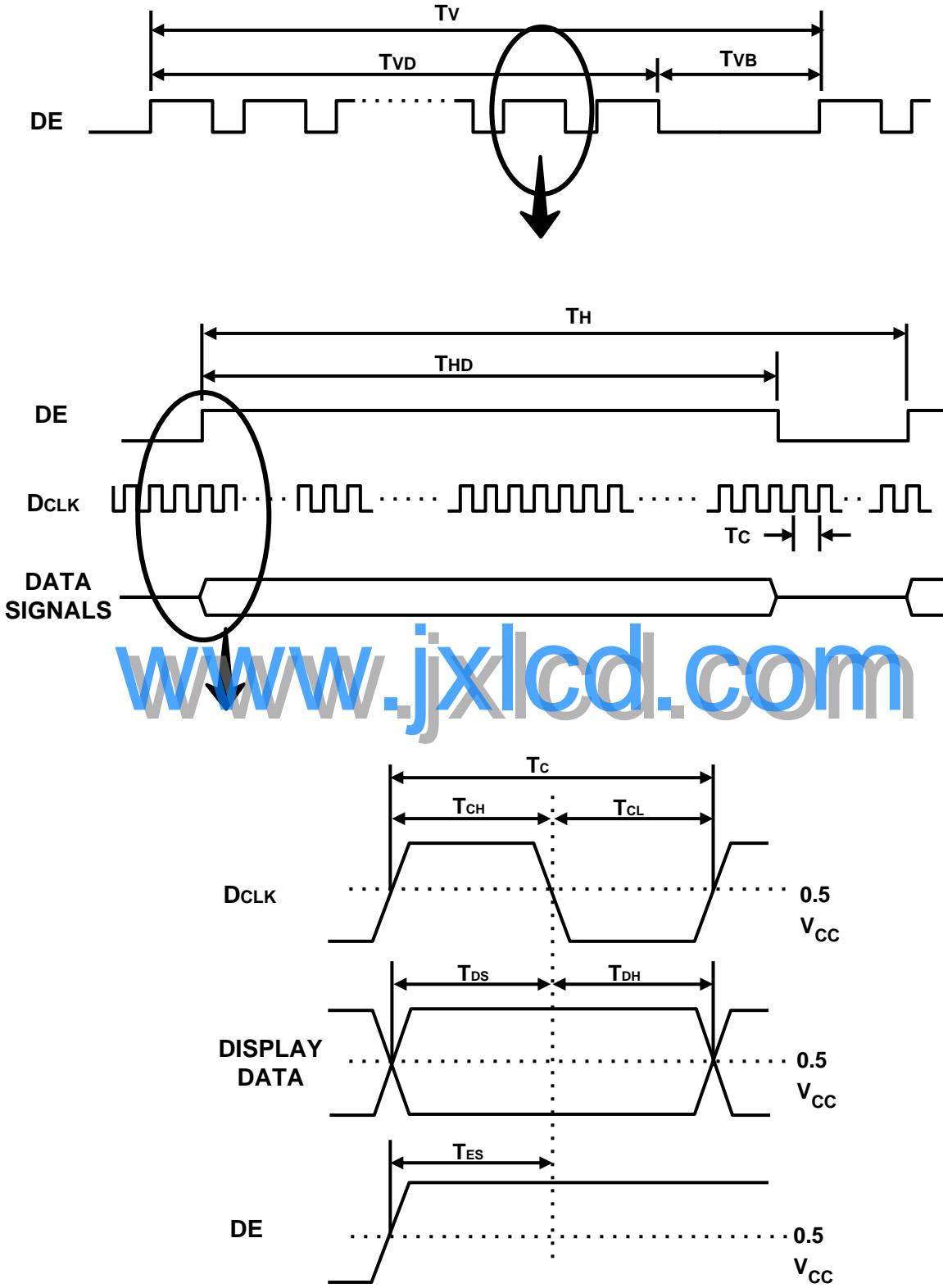
| SIGNAL | ITEM | SYMBOL | MIN. | TYP. | MAX. | Unit | NOTE |
|-------------------------|-----------------------|----------|------|------|------|--------|------|
| Clock | Frequency | $1/T_C$ | 40.9 | 54 | 68.4 | MHz | - |
| Hsync | | F_H | 56.7 | 64 | 81.1 | KHz | - |
| Vsync | | F_V | 55 | 60 | 76 | Hz | - |
| Vertical Display Term | Active Display Period | T_{VD} | 1024 | 1024 | 1024 | lines | - |
| | Vertical Total | T_{VB} | 1032 | - | - | lines | - |
| Horizontal Display Term | Active Display Period | T_{HD} | - | 640 | - | clocks | - |
| | Horizontal Total | T_H | 672 | 844 | - | clocks | - |

Note (1) This product is DE only mode. The input of Hsync & Vsync signal does not have an effect on normal operation.

(2) Test Point : TTL control signal and CLK at LVDS Tx input terminal in system

(3) Internal Vcc = 3.3V

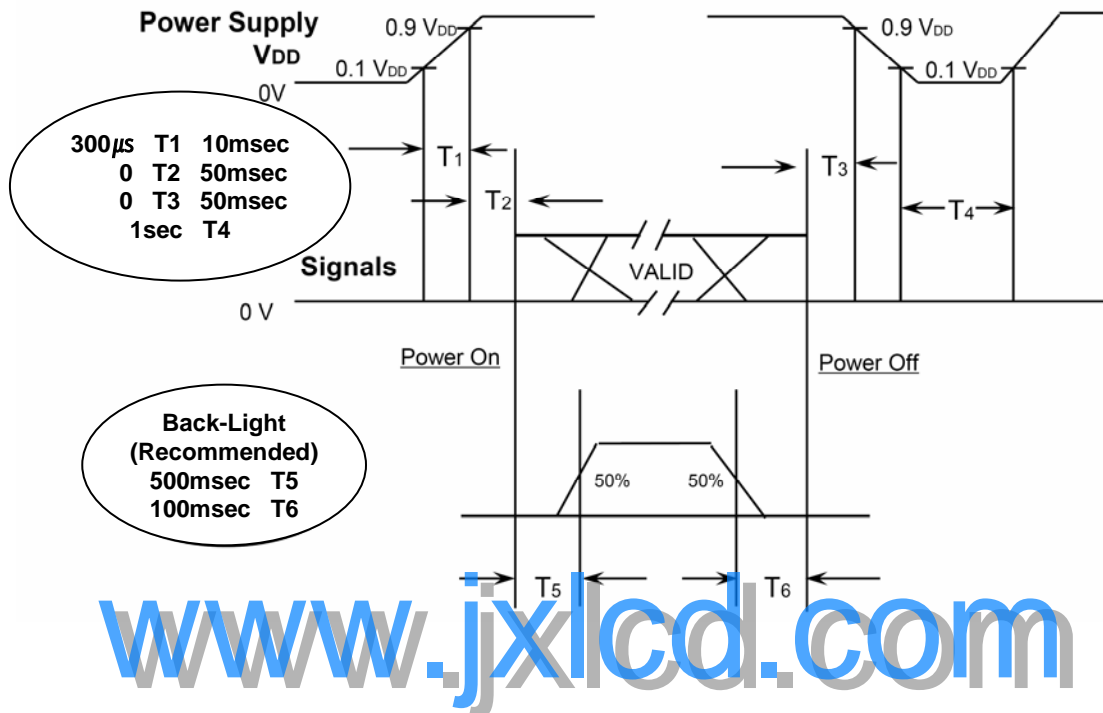
6.2 Timing diagrams of interface signal (DE only mode)



www.jxlcd.com

6.3 Power ON/OFF Sequence

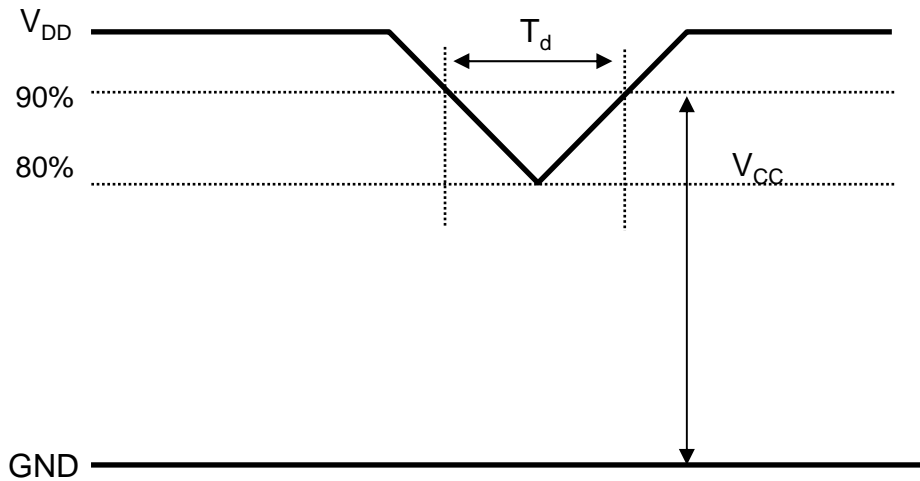
To prevent a latch-up or DC operation of the LCD Module, the power on/off sequence should be as the diagram below.



- T1 : V_{DD} rising time from 10% to 90%
- T2 : The time from V_{DD} to valid data at power ON.
- T3 : The time from valid data off to V_{DD} off at power Off.
- T4 : V_{DD} off time for Windows restart
- T5 : The time from valid data to B/L enable at power ON.
- T6 : The time from valid data off to B/L disable at power Off.

- The supply voltage of the external system for the Module input should be the same as the definition of V_{DD}.
- Apply the lamp voltage within the LCD operation range. When the back light turns on before the LCD operation or the LCD turns off before the back light turns off, the display may momentarily show abnormal screen.
- In case of V_{DD} = off level, please keep the level of input signals low or keep a high impedance.
- T4 should be measured after the Module has been fully discharged between power off and on period.
- Interface signal should not be kept at high impedance when the power is on.

6.4 VDD Power Dip Condition



| |
|---|
| $\begin{array}{l} 4.5V \quad V_{DD} \quad 5.5V \\ \text{If } V_{DD}(\text{typ.}) \times 80\% \quad V_{CC} \quad V_{DD}(\text{typ.}) \times 90\% \\ \text{Then, } 0 < T_d < 20\text{msec} \end{array}$ |
|---|

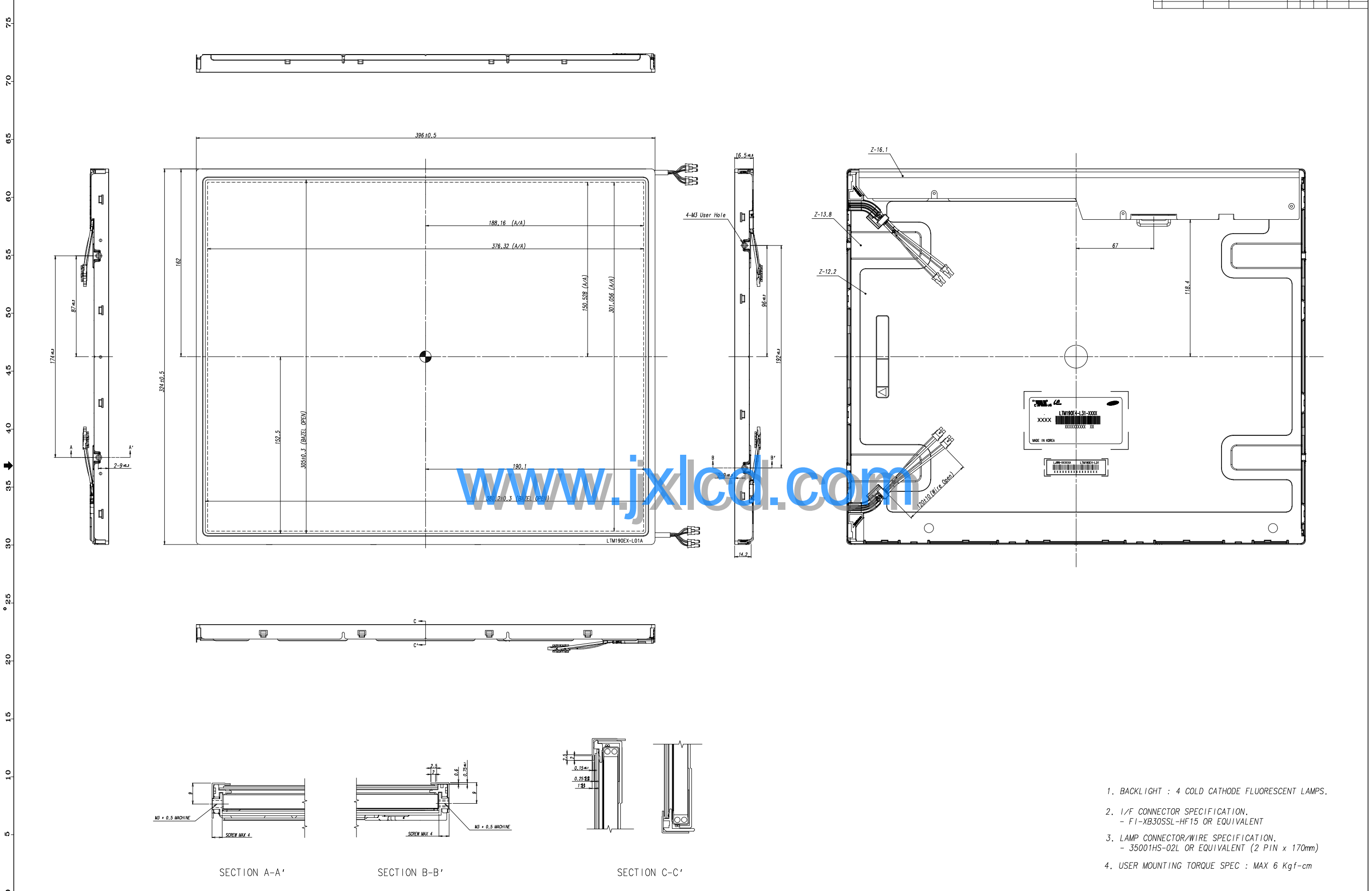
- Note (1) The above conditions are for the glitch of the input voltage.
- (2) For stable operation of an LCD Module power, please follow them.
 i.e., if $\text{typ } V_{DD} \times 80\% < V_{CC} < \text{typ } V_{DD} \times 90\%$, then T_d should be less than 20ms.

7. Outline Dimension

[Refer to the next page]

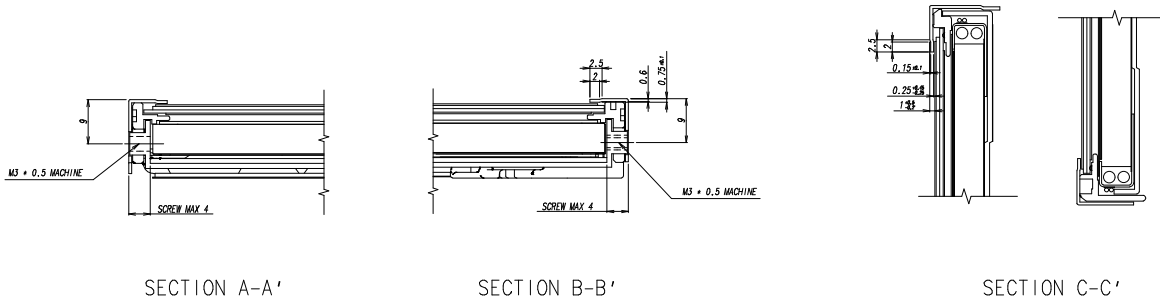
PRODUCT INFORMATION

www.jxlcd.com



www.jxlcd.com

- BACKLIGHT : 4 COLD CATHODE FLUORESCENT LAMPS.
- I/F CONNECTOR SPECIFICATION.
- FI-XB30SSL-HF15 OR EQUIVALENT
- LAMP CONNECTOR/WIRE SPECIFICATION.
- 35001HS-02L OR EQUIVALENT (2 PIN x 170mm)
- USER MOUNTING TORQUE SPEC : MAX 6 Kgf-cm



8. General Precautions

8.1 Handling

- (a) When the module is assembled, it should be attached to the system firmly using all mounting holes. Be careful not to twist and bend the module.
- (b) Because the inverter uses high voltages, it should be disconnected from power source before it is assembled or disassembled.
- (c) Refrain from strong mechanical shock and / or any force to the module. In addition to damage, it may cause improper operation or damage to the module and CCFT back light.
- (d) Note that polarizer films are very fragile and could be damaged easily. Do not press or scratch the surface harder than a HB pencil lead.
- (e) Wipe off water droplets or oil immediately. If you leave the droplets for a long time, staining or discoloration may occur.
- (f) If the surface of the polarizer is dirty, clean it using absorbent cotton or soft cloth.
- (g) Desirable cleaners are water, IPA (Isopropyl Alcohol) or Hexane. Do not use Ketone type materials (ex. Acetone), Ethyl alcohol, Toluene, Ethyl acid or Methyl chloride. It might cause permanent damage to the polarizer due to chemical reaction.
- (h) If the liquid crystal material leaks from the panel, it should be kept away from the eyes or mouth. In case of contact with hands, legs or clothes, it must be washed away with soap thoroughly.
- (i) Protect the Module from static, or the CMOS Gate Array IC would be damaged.
- (j) Use finger-stalls with soft gloves in order to keep display clean during the incoming inspection and assembly process.
- (k) Do not disassemble the Module.
- (l) Do not pull or fold the lamp wire.
- (m) Do not adjust the variable resistor located on the Module.
- (n) Protection film for polarizer on the Module should be slowly peeled off just before use so that the electrostatic charge can be minimized.
- (o) Pins of I/F connector should not be touched directly with bare hands.

8.2 Storage

- (a) Do not leave the Module in high temperature, and high humidity for a long time. It is highly recommended to store the Module with temperature from 0 to 35 and relative humidity of less than 70%.
- (b) Do not store the TFT-LCD Module in direct sunlight.
- (c) The Module should be stored in a dark place. It is prohibited to apply sunlight or fluorescent light in storing.

8.3 Operation

- (a) Do not connect or disconnect the Module in the "Power On" condition.
- (b) Power supply should always be turned on/off by the item 6.3 "Power on/off sequence"
- (c) Module has high frequency circuits. Sufficient suppression to the electromagnetic interference should be done by system manufacturers. Grounding and shielding methods may be important to minimize the interference.
- (d) The cable between the back light connector and its inverter power supply should be connected directly with a minimized length. A longer cable between the back light and the inverter may cause lower luminance of lamp(CCFT) and may require higher startup voltage(Vs).

8.4 Operation Condition Guide

- (a) The LCD product should be operated under normal conditions.
Normal condition is defined as below;
 - Temperature : 20 ± 15
 - Humidity : $65 \pm 20\%$
 - Display pattern : continually changing pattern (Not stationary)
- (b) If the product will be used in extreme conditions such as high temperature, humidity, display patterns or operation time etc., It is strongly recommended to contact SEC for Application engineering advice. Otherwise, its reliability and function may not be guaranteed. Extreme conditions are commonly found at Airports, Transit Stations, Banks, Stock market, and Controlling systems.

8.5 Others

- (a) Ultra-violet ray filter is necessary for outdoor operation.
- (b) Avoid condensation of water. It may result in improper operation or disconnection of electrode.
- (c) Do not exceed the absolute maximum rating value. (supply voltage variation, input voltage variation, variation in part contents and environmental temperature, and so on)
Otherwise the Module may be damaged.
- (d) If the Module keeps displaying the same pattern for a long period of time, the image may be "sticked" to the screen.
To avoid image sticking, it is recommended to use a screen saver.
- (e) This Module has its circuitry PCB's on the rear side and should be handled carefully in order not to be stressed.
- (f) Please contact SEC in advance when you display the same pattern for a long time.

www.jxlcd.com