



# SAMSUNG DISPLAY

# PRODUCT SPECIFICATION

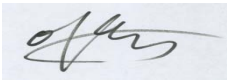
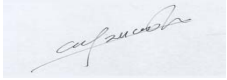
(√) PRODUCT INFORMATION

( ) APPROVAL SPECIFICATION

This is Product Information is subject to change after 3 months of issuing date

<b>CUSTOMER</b>	VD	<b>MODEL</b>	LTM230HL06
<b>PROGRAM</b>		<b>EXTENSION CODE</b>	V01

<b>CUSTOMER APPROVAL &amp; FEEDBACK</b>
For WD only

<b>ARPPROVED BY</b>	18 / Apr. / '13	Nicolas Lee	
<b>PREPARED BY</b>	18 / Apr. / '13	Jay Lee	

**Application Engineering Group**  
**Samsung Display Co., Ltd.**

**Product Configuration Approval Sheet**

**Description**

Items	Content
Customer	VD
Product Name	LTM230HL06-V01
Project Name	-

**Customer System Configuration**

Items		Content
System Name		
Purpose		
IC	Scalar	-
	LED Driver	-
Input Interface		-
OS ( AIO)		-
Graphic Card (AIO)		-

Notice : SDC product approval spec guarantee a above customer system.

**Contents**

Revision History .....	(4)
1. General Description .....	(5)
2. Absolute Maximum Ratings .....	(6)
3. Optical Characteristics .....	(8)
4. Block Diagram .....	(12)
5. Electrical Characteristics .....	(13)
5.1 TFT LCD Module	
5.2 Back Light Unit	
5.3 LVDS Input Characteristics	
5.4 Timing Parameters	
5.5 Input Signals, Basic Display Colors and Gray Scale of Each Color	
5.6 Power ON/OFF Sequence	
5.7 Input Terminal Pin Assignment	
6. Outline Dimension .....	(27)
7. Packing .....	(28)
8. General Precautions .....	(30)
8.1 Handling Precautions	
8.2 Storage Precautions	
8.3 Operation Precaution	
8.4 Design Guide for System	

**Revision History**

Version	Date	Page	Description
P0.0	18.Apr., 2013	All	Product information

For V/D Only

## 1. General Description

### Overview

LTM230HL06 is a color active matrix liquid crystal display (LCD) that uses amorphous silicon TFT (Thin Film Transistor) as switching components. This model is composed of a TFT LCD panel, a driver circuit and a back light unit. The resolution of a 23.0" is 1920 x 1080 (FHD ) and this model can display up to 16.7 million colors.

### Features

Application
<ul style="list-style-type: none"> <li>- Workstation &amp; Desktop monitors</li> <li>- Display terminals for AV Products</li> <li>- Monitors for Industrial machine</li> </ul>
DE (Data Enable) only mode
LVDS (Low Voltage Differential Signaling) interface (2pixel/clock)
RoHS, Halogen Free
White LED Edge slim Backlight (1-side)
TCO 6.0 compliance

### General Information

Items	Specification	Unit
Pixel Pitch	0.2652(H) x 0.2652(W)	mm
Active Display Area	509.184(H) x 286.416(V)	mm
Surface Treatment	AG type, Haze 25% , Hard coating (3H)	-
Display Colors	16.7M (Hi-FRC)	colors
Number of Pixels	1,920 x 1080	pixel
Pixel Arrangement	RGB vertical stripe	-
Display Mode	Normally Black	-
Luminance of White	300(Typ.)	cd/m <sup>2</sup>
Power Consumption	Total 15.49W Typ. (Panel 3.25W / BLU 12.24W)	W

**Mechanical Information**

Item		Min.	Typ.	Max.	Unit	Note
Module size	Horizontal (H)	533.5	534.0	534.5	mm	-
	Vertical (V)	311.2	311.7	312.2	mm	
	Depth (D)			11.0	mm	CNT area max 11.75
Weight		-		2300	g	LCD module only

Note (1) Mechanical tolerance is  $\pm 0.5\text{mm}$  unless there is a special comment.

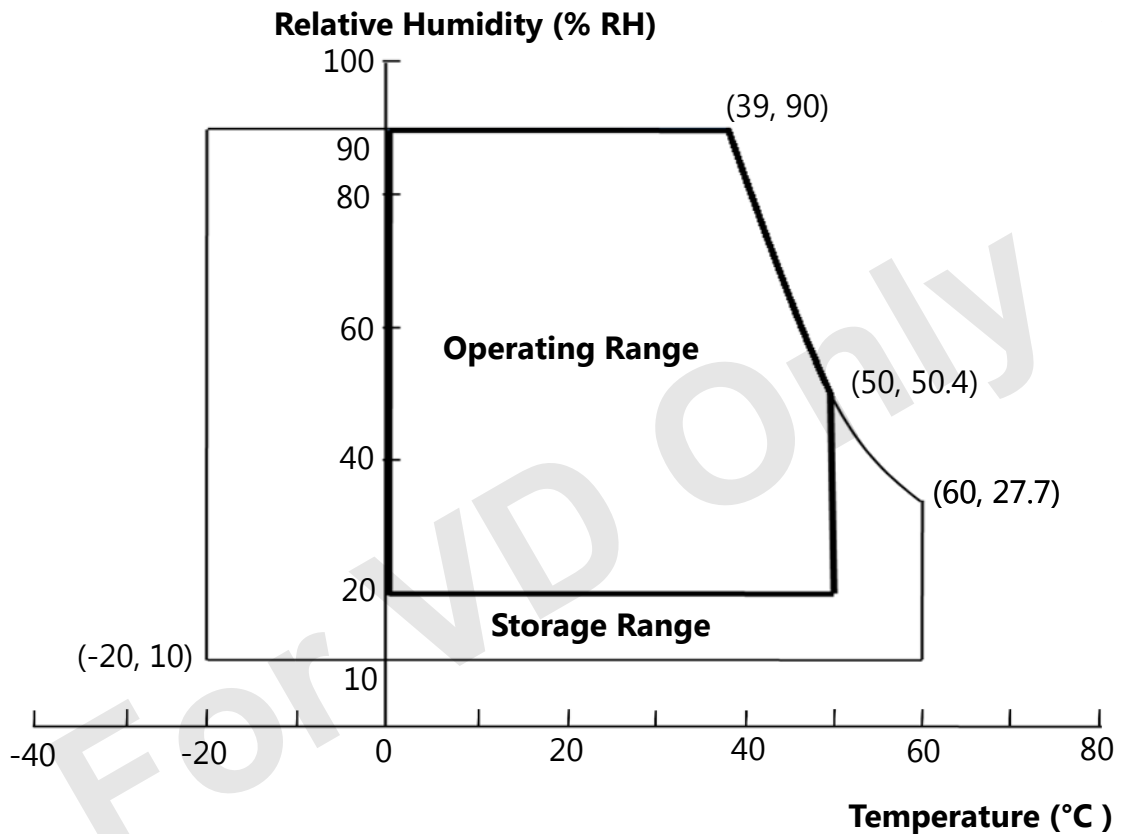
**2. Absolute Maximum Ratings**

If the condition exceeds maximum ratings, it can cause malfunction or unrecoverable damage to the device.

Item	Symbol	Min.	Max.	Unit	Note
Power Supply Voltage	$V_{DD}$	GND-0.5	6.5	V	(1)
Operating Temperature	$T_{OPR}$	0	50	$^{\circ}\text{C}$	(2)
Storage temperature	$T_{STG}$	-20	60	$^{\circ}\text{C}$	
Glass surface temperature (Operation)	$T_{SUF}$	0	65	$^{\circ}\text{C}$	(3)

Note (1)  $T_a = 25 \pm 2^{\circ}\text{C}$

- (2) Temperature and relative humidity range are shown in the figure below.
- 90 % RH Max. ( $T_a \leq 39\text{ }^\circ\text{C}$ )
  - Maximum wet-bulb temperature at  $39\text{ }^\circ\text{C}$  or less. ( $T_a \leq 39\text{ }^\circ\text{C}$ )
  - No condensation.
- (3) The maximum operating temperature of LCD module is defined with surface temperature of active area. Under any condition, the maximum ambient operating temperature should be keeping the surface of active area not any higher than  $65\text{ }^\circ\text{C}$



**Fig. Temperature and Relative Humidity range**

### 3. Optical Characteristics

The optical characteristics should be measured in a dark room or equivalent.

Measuring equipment : SR-3, RD-80S (TOPCON), EZ-Contrast (Eldim)

(Ta = 25 ± 2°C, VDD=5V, fv= 60Hz, f<sub>DCLK</sub>=67.3MHz, If =360mA)

Item		Symbol	Condition	Min.	Typ.	Max.	Unit	Note
Contrast Ratio (Center of screen)		C/R		700	1000	-		(3) SR-3
Response Time		G to G		-	12	25	msec	(5) RD-80S
Luminance of White (Center of screen)		Y <sub>L</sub>		250	300	-	cd/m <sup>2</sup>	(6) SR-3
Brightness Uniformity (9 Points)		B <sub>uni</sub>		-	-	25	%	(4) SR-3
Color Chromaticity (CIE 1931)	Red	Rx	Normal θ <sub>L,R</sub> =0 θ <sub>u,D</sub> =0  Viewing Angle	- 0.030	0.650	+0.030		(7),(8) SR-3
		Ry			0.333			
	Green	Gx			0.316			
		Gy			0.612			
	Blue	Bx			0.152			
		By			0.067			
	White	Wx			0.313			
		Wy			0.329			
Color Chromaticity (CIE 1976)	Red	Ru'		-	0.456	-		
		Rv'		-	0.526	-		
	Green	Gu'		-	0.131	-		
		Gv'		-	0.567	-		
	Blue	Bu'		-	0.174	-		
		Bv'		-	0.171	-		
	White	Wu'	-	0.198	-			
		Wv'	-	0.468	-			

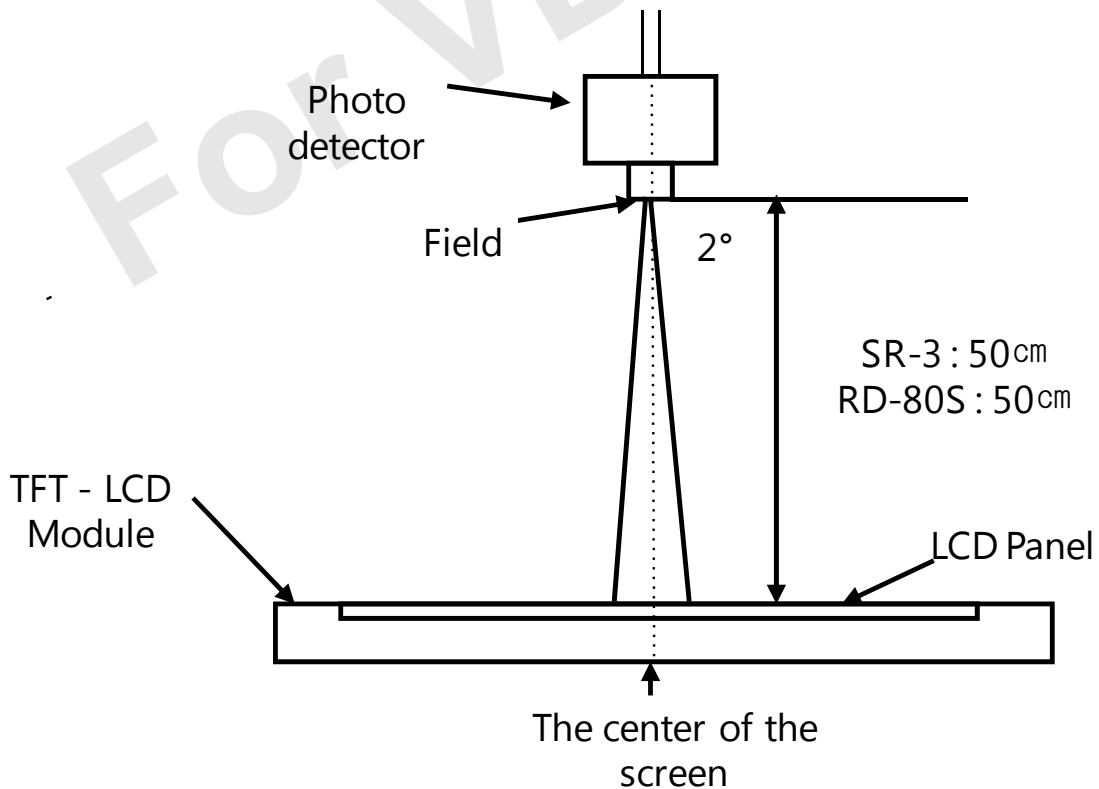


Item	Symbol	Condition	Min.	Typ.	Max.	Unit	Note	
Color Gamut	-		-	72	-	%		
Color Temperature	-		-	6500	-	K		
Viewing Angle	Hor.	$\theta_L$	CR $\geq$ 10	80	89	-	Degrees	(8) EZ- Contrast
		$\theta_R$		80	89	-		
	Ver.	$\theta_U$		80	89	-		
		$\theta_D$		80	89	-		

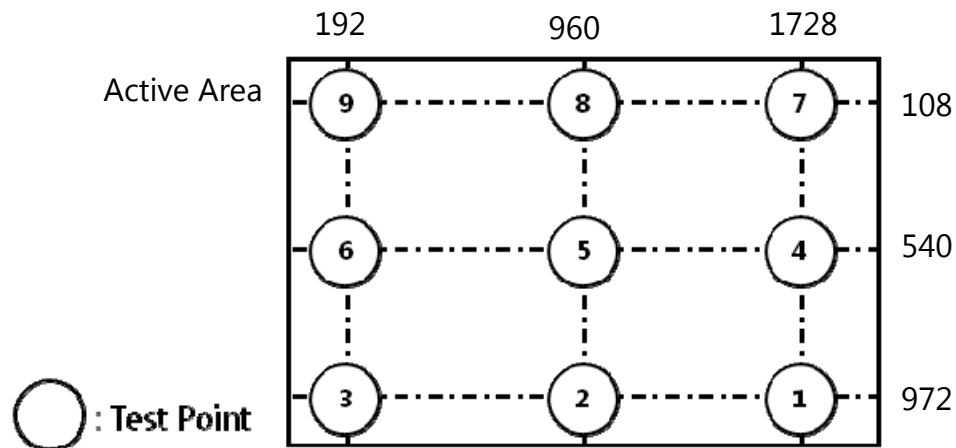
Note (1) Test Equipment Setup

The measurement should be executed in a stable, windless and dark room between 30min after lighting the back light at the given temperature for stabilization of the back light. This should be measured in the center of screen.

LED forward current : If = 360mA      Environment condition : Ta = 25 ± 2 °C



(2) Definition of test point



(3) Definition of Contrast Ratio (CR)

: Ratio of gray max ( $G_{max}$ ) & gray min ( $G_{min}$ ) at the center point⑤ of the panel

$$CR = \frac{G_{max}}{G_{min}}$$

$G_{max}$  : Luminance with all pixels white

$G_{min}$  : Luminance with all pixels black

(4) Definition of 9 points brightness uniformity

$$B_{uni} = 100 \times \frac{B_{max} - B_{min}}{B_{max}}$$

$B_{max}$  : Maximum brightness

$B_{min}$  : Minimum brightness

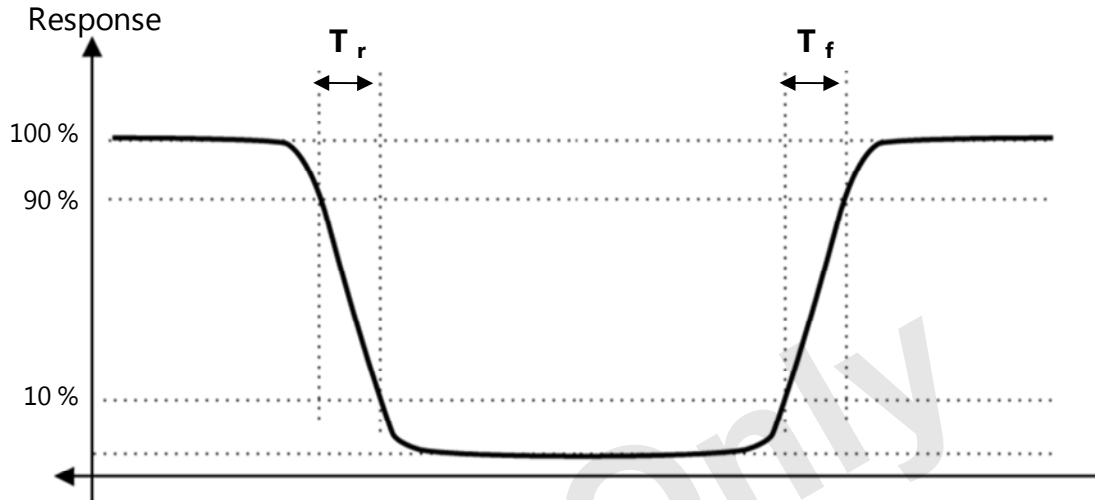
(5) Definition of Response time

GtoG : The time for transitions between specific gray levels

- 31 → 63, 63 → 95, 95 → 127, 127 → 159, 159 → 191, 191 → 223 grays and vice versa

- G to G typ. : Average time at rising and falling for gray transition except the transition

Optical Instruments



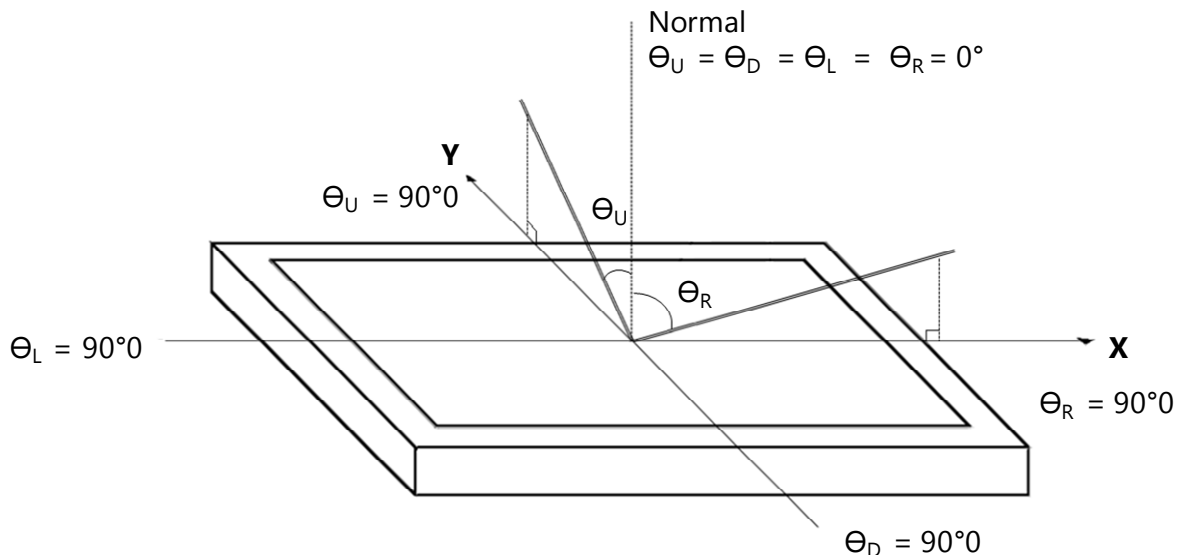
(6) Definition of Luminance of White : Luminance of white at center point (5)

(7) Definition of Color Chromaticity (CIE 1931, CIE1976)

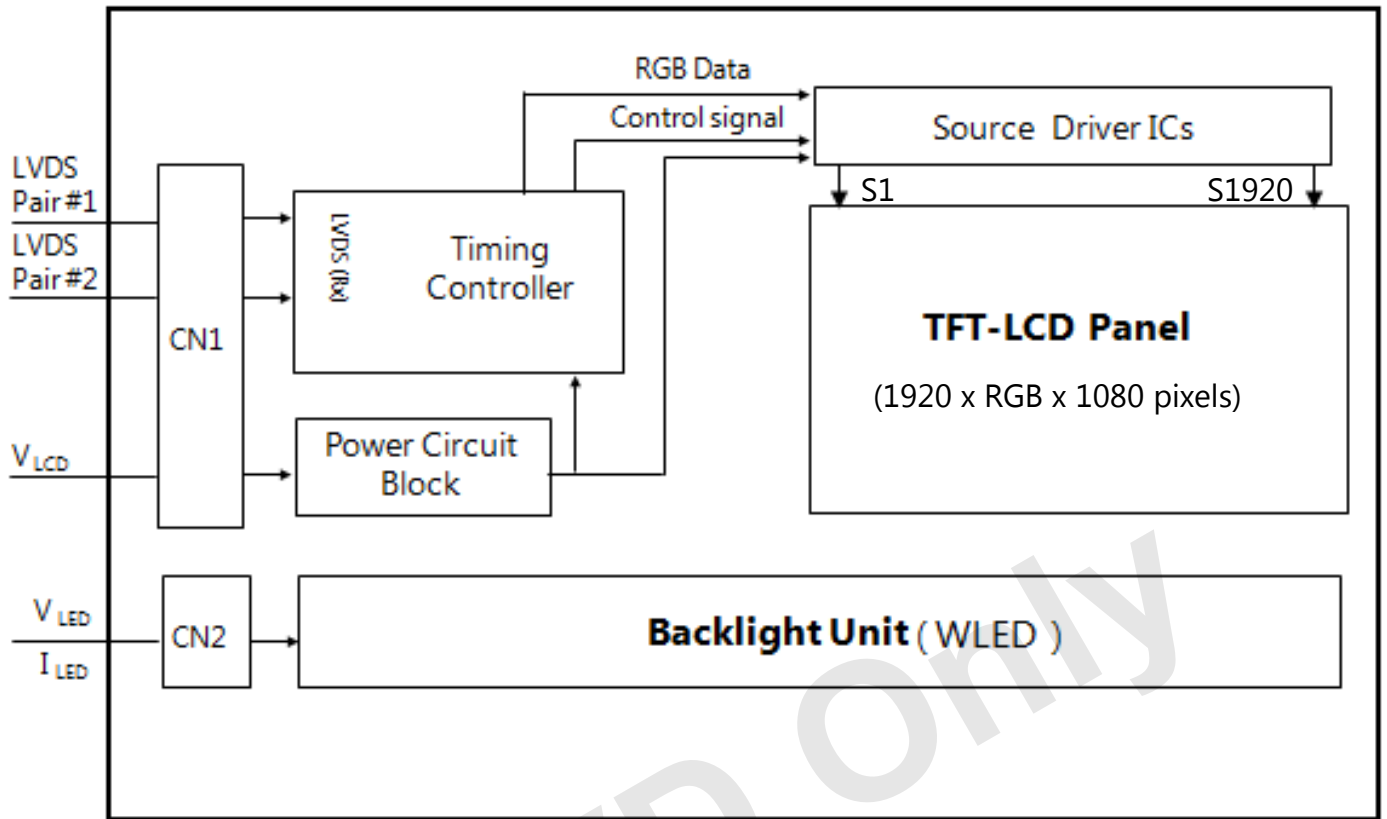
Color coordinate of Red, Green, Blue & White at center point (5)

(8) Definition of Viewing Angle

: Viewing angle range ( $CR \geq 10$ )



### 4. Block Diagram



**Fig. Function Block Diagram**

Note (1) The connector for display data & timing signal should be connected

## 5. Electrical Characteristics

### 5.1 TFT LCD Module

The connector for display data & timing signal should be connected.

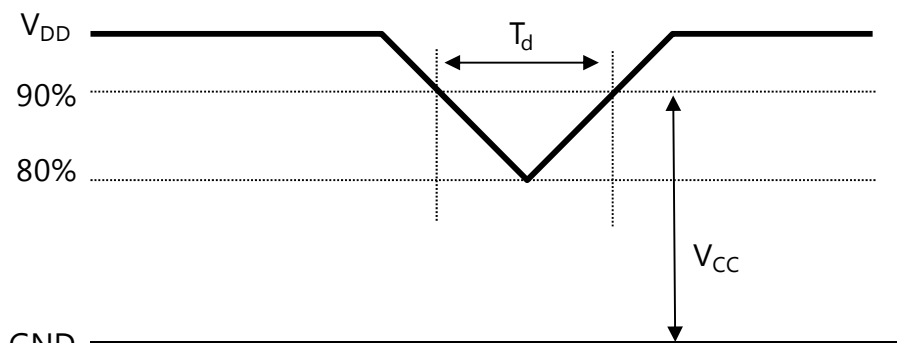
Ta=25 ± 2°C

Item	Symbol	Min.	Typ.	Max.	Unit	Note
Voltage of Power Supply	V <sub>DD</sub>	4.5	5.0	5.5	V	(1)
Power Dip Condition	V <sub>CC</sub>	4.0	-	V <sub>DD</sub>	V	(2)
	T <sub>d</sub>	0	-	20	msec	
Current of Power Supply	(a) White	-	850	-	mA	(3),(4)
	(b) Black	-	500	-	mA	
	(c) Mosaic	-	650	-	mA	
	(d) Dot	-	750	-	mA	
Power Consumption	P <sub>LCD</sub>	-	3.25	-	Watt	(4),(5)
Rush Current	I <sub>RUSH</sub>	-	-	5.0	A	(6)

Note (1) The ripple voltage should be controlled under 10% of V<sub>DD</sub>

(2) Definition of V<sub>DD</sub> Power Dip

- The above conditions are for the glitch of the input voltage.
- For stable operation of an LCD Module power, please follow them.



$$4.5V \leq V_{DD} \leq 5.5V$$

$$\text{If } V_{DD}(\text{Typ.}) \times 80\% \leq V_{CC} \leq V_{DD}(\text{Typ.}) \times 90\%,$$

$$\text{then } 0 < T_d \leq 20\text{msec}$$

(3)  $f_V=60\text{Hz}$ ,  $f_{\text{DCLK}} = 67.3\text{Hz}$ ,  $V_{\text{DD}} = 5.0\text{V}$ , DC Current.

(4) Power dissipation check pattern (LCD Module only)

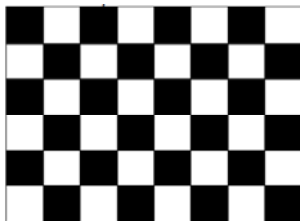
a) White Pattern



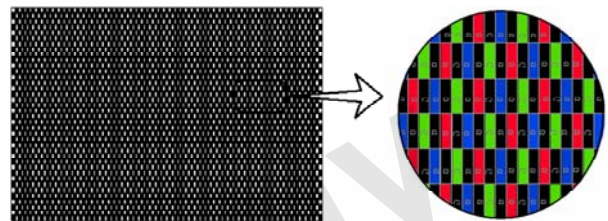
b) Black Pattern



c) Mosaic Pattern

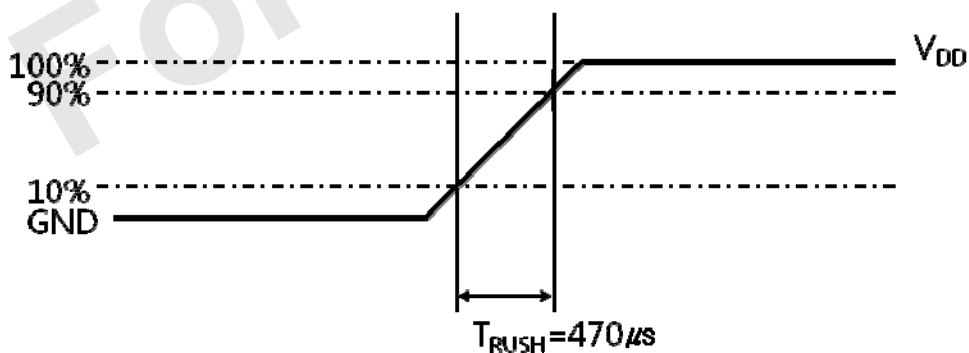


d) Dot Pattern



(5) The power consumption is specified whereas Dot pattern is displayed at  $f_V=60\text{Hz}$ ,  $f_{\text{DCLK}} = 67.3\text{MHz}$ ,  $V_{\text{DD}} = 5.0\text{V}$

(6) Measurement Condition



Rush Current  $I_{\text{RUSH}}$  can be measured when  $T_{\text{RUSH}}$  is  $470 \mu\text{s}$

## 5.2 Backlight Unit

The characteristics of LED bar

Ta=25 ± 2°C.

Item	Symbol	Min.	Typ.	Max.	Unit	Note
LED Forward Current	$I_F$	-	360	390	mA	(1),(2)
LED Array Voltage	$V_P$	-	34.0	37.0	V	(1)
Power Consumption	$P_{BLU}$	-	12.24	-	Watt	(3)
Operating Life Time	Hr	40,000	-	-	Hour	(4)

Note (1) The above specification is not for the converter output, but for the LED bar.

- The LED bar consists of 33 LED packages ; 3 parallel X 11 serial
- LED current is defined at 100% duty ratio of LED driver

(2) The LED Forward current for single LED channel is Typ.120mA

- The output current of converter in the system should be transmitted to the LED bar constantly.
- It is recommended to control the returned signal respectively for even distribution of current to each channel of LED bar

(3) The power consumption is specified at typical current 360mA with 100% duty ratio

- It does not include power loss of external LED driver circuit block
- Typical power consumption  $P_{BLU} = I_F$  (Typ.) x  $V_P$  (Typ.)

(4) Life time(Hr) is defined as the time when brightness of a LED package itself becomes 50% or less than its original value at the condition of Ta=25 ± 2°C and  $I_F = 360$ mA.

### 5.3 LVDS Characteristics

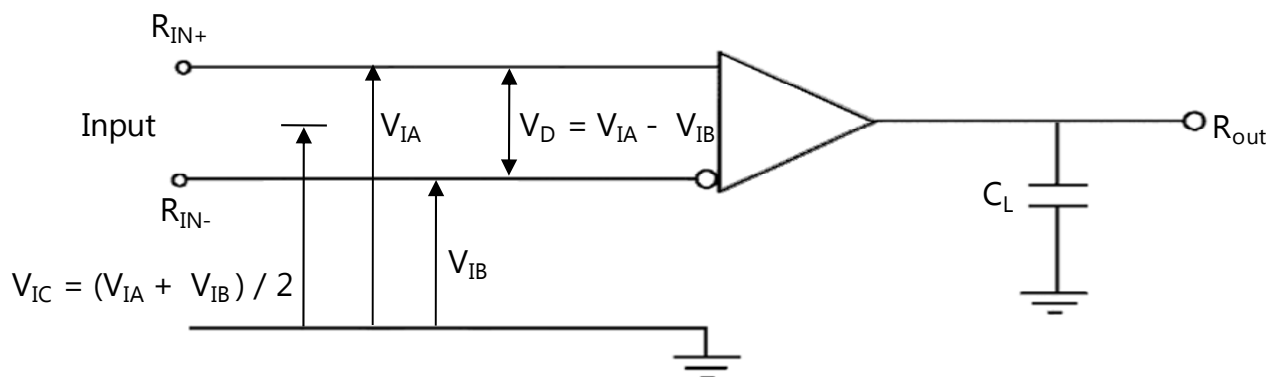
#### 5.3.1. LVDS Input Characteristics

Ta=25 ± 2°C

Item	Symbol	Min.	Typ.	Max.	Unit	Note
Differential Input Voltage for LVDS receiver threshold	High	-	-	+50	mV	(1)
	Low	-50	-	-	mV	
LVDS skew	$t_{SKEW}$	-300	-	300	ps	(2)
Differential input voltage	$ V_{id} $	100	-	600	mV	(3)
Input voltage range(single ended)	$V_{in}$	0.7	-	1.7	V	(3)
Common mode voltage	$V_{cm}$	1.0	1.2	1.4	V	(3)

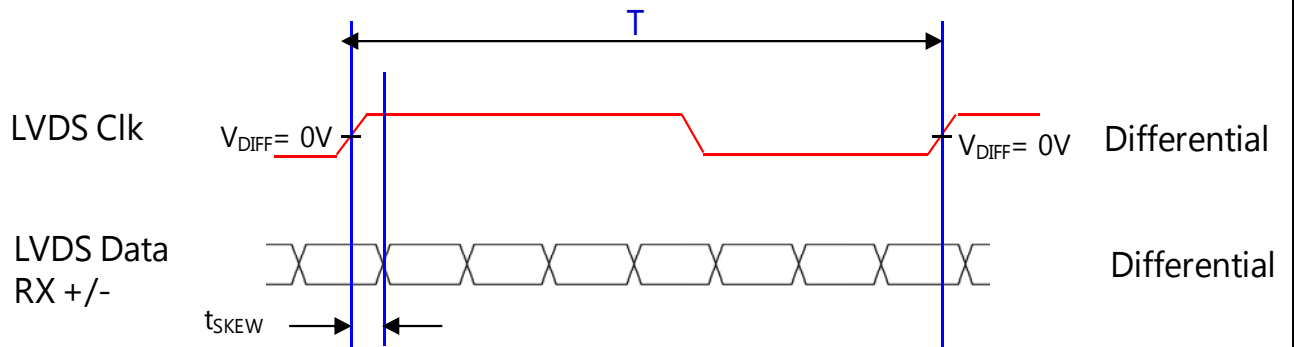
Note (1) Differential receiver voltage definitions and propagation delay and transition time test circuit

- a. All input pulses have frequency = 10MHz,  $t_r$  or  $t_f$  = 1ns
- b.  $C_L$  includes all probe and fixture capacitance





(2) LVDS Receiver DC parameters are measured under static and steady conditions which may not be reflective of its performance in the end application.

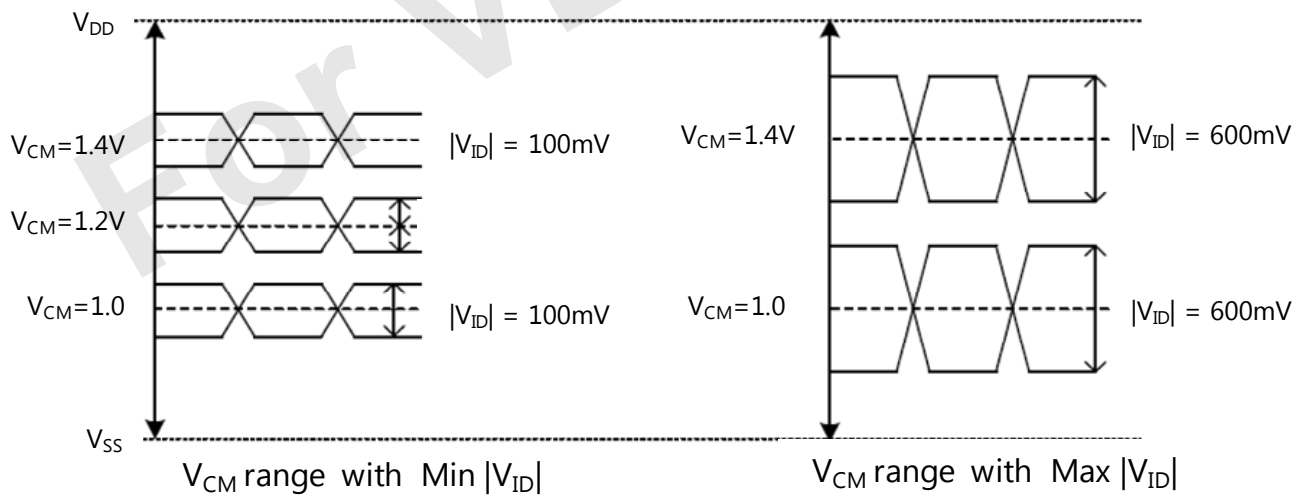


where  $t_{SKEW}$  : skew between LVDS clock & LVDS data,

T : 1 period time of LVDS clock

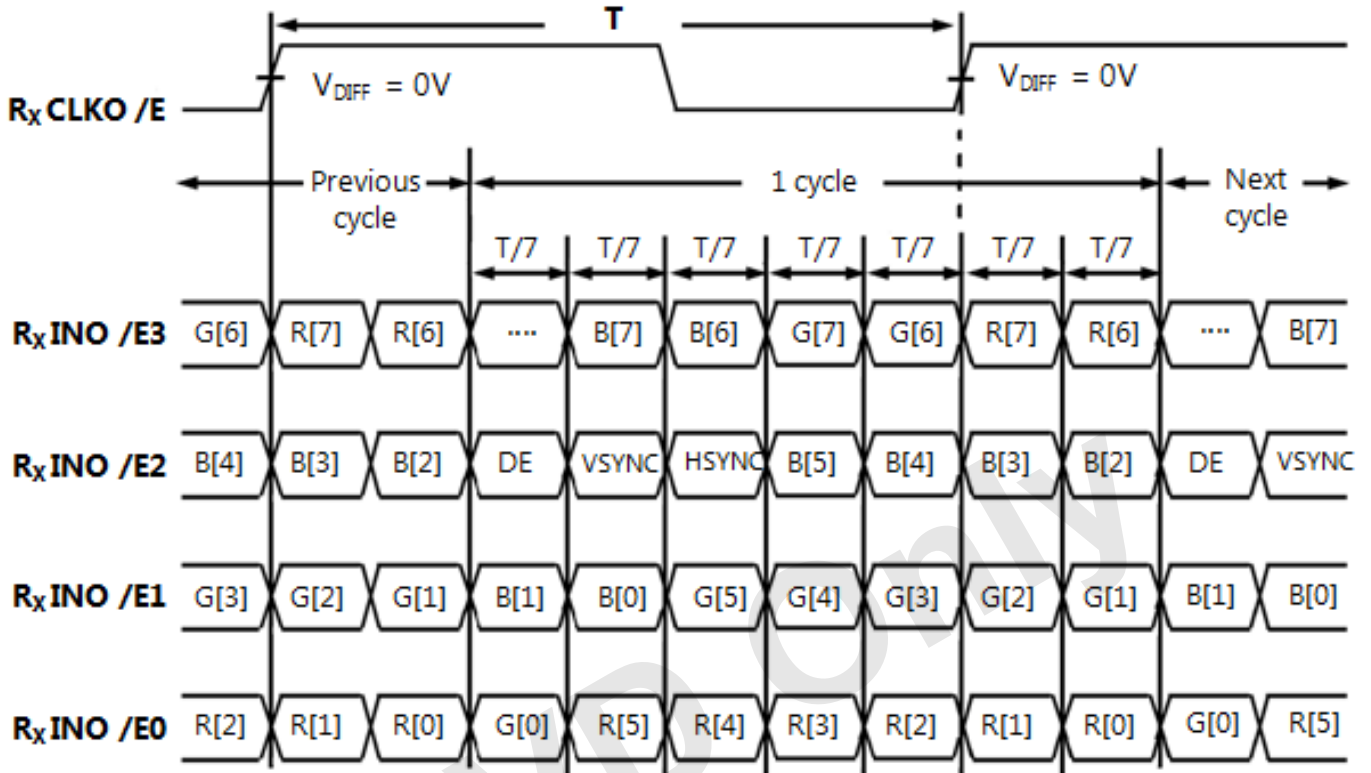
cf. (-/+ ) of 300psec means LVDS data goes before or after LVDS clock

(3) Definition of  $V_{ID}$  and  $V_{CM}$  using single-end signals



5.3.2. LVDS Data Format

Timing Diagrams of LVDS For Transmitting  
 - LVDS Receiver : Integrated T-CON



## 5.4 Interface Timing Specification

### 5.4.1. Timing Parameters

SIGNAL	ITEM	SYMBOL	Min.	Typ.	Max.	Unit	Note
Clock	Frequency	$1/T_C$	56.4	67.3	83.0	MHz	-
Hsync		$F_H$	54.2	66.0	83.8	kHz	-
Vsync		$F_V$	49	60	75	Hz	-
Vertical Display Term	Active Display Period	$T_{VD}$	1080	1080	1080	Lines	-
	Vertical Total	$T_V$	1105	1111	1118	Lines	-
Horizontal Display Term	Active Display Period	$T_{HD}$	960	960	960	Clocks	2pixel/clock
	Horizontal Total	$T_H$	990	1010	1040	clocks	2pixel/clock

Note (1) DE only mode

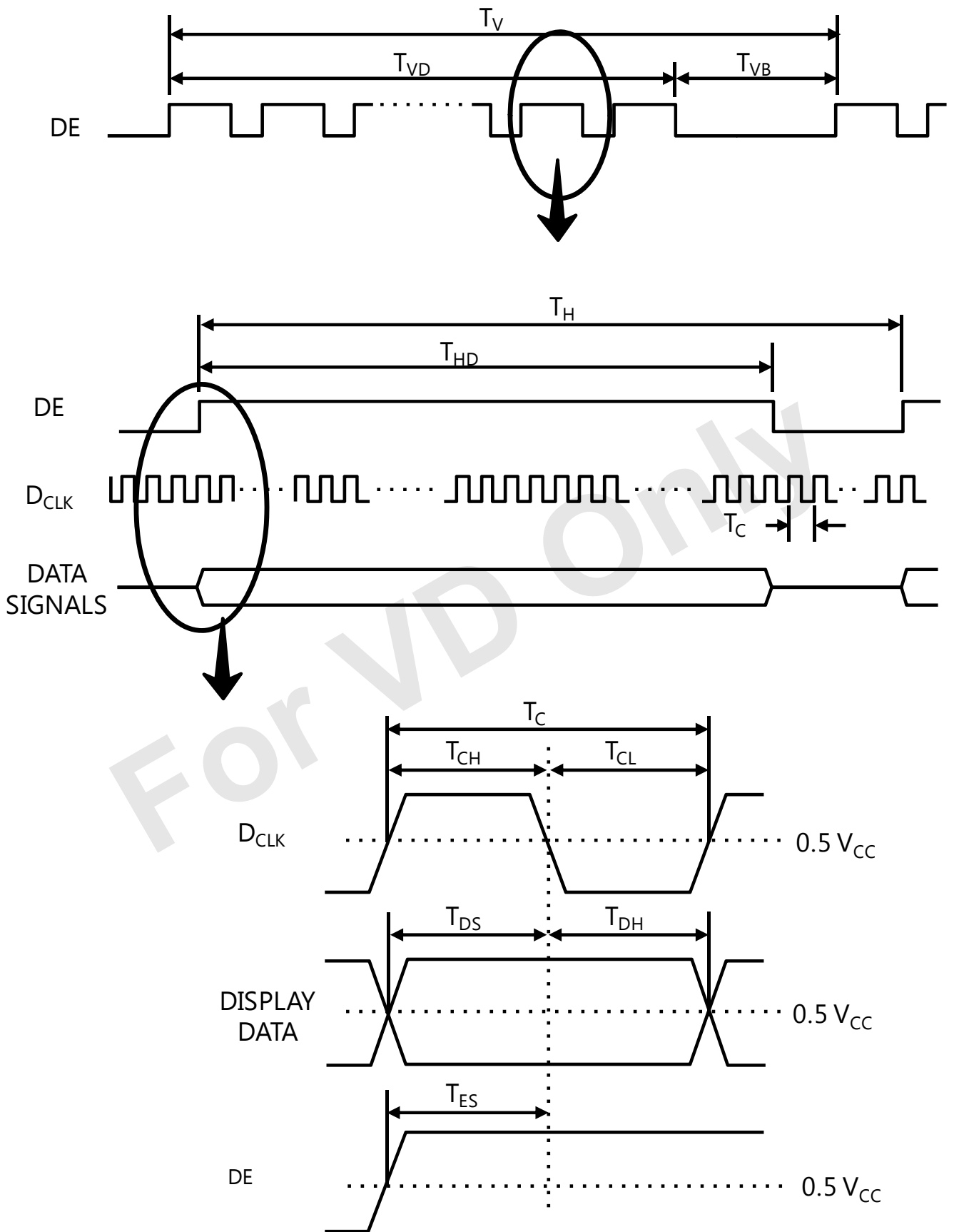
- While operation, DE signal should be have the same cycle.

(2) Best operation clock frequency is 67.3MHz(60Hz)

(3) Max, Min variation range is at main clock typical value 67.3MHz

(4) Main frequency Max is 83.0MHz without spread spectrum

5.4.2. Timing diagrams of interface signal ( DE only mode )



5.5 Input Signals, Basic Display Colors and Gray Scale of Each Color

COLOR	DISPLAY (8bit)	DATA SIGNAL																												GRAY SCALE LEVEL
		RED							GREEN							BLUE														
		R0	R1	R2	R3	R4	R5	R6	R7	G0	G1	G2	G3	G4	G5	G6	G7	B0	B1	B2	B3	B4	B5	B6	B7					
BASIC COLOR	BLACK	0	0	0	0	0	0	0	0	0	0	0	0	0	0	0	0	0	0	0	0	0	0	0	0	0	0	0	-	
	BLUE	0	0	0	0	0	0	0	0	0	0	0	0	0	0	0	0	1	1	1	1	1	1	1	1	1	1	1	-	
	GREEN	0	0	0	0	0	0	0	0	1	1	1	1	1	1	1	1	0	0	0	0	0	0	0	0	0	0	0	-	
	CYAN	0	0	0	0	0	0	0	0	1	1	1	1	1	1	1	1	1	1	1	1	1	1	1	1	1	1	1	-	
	RED	1	1	1	1	1	1	1	1	0	0	0	0	0	0	0	0	0	0	0	0	0	0	0	0	0	0	0	-	
	MAGENTA	1	1	1	1	1	1	1	1	0	0	0	0	0	0	0	0	1	1	1	1	1	1	1	1	1	1	1	-	
	YELLOW	1	1	1	1	1	1	1	1	1	1	1	1	1	1	1	1	0	0	0	0	0	0	0	0	0	0	0	-	
	WHITE	1	1	1	1	1	1	1	1	1	1	1	1	1	1	1	1	1	1	1	1	1	1	1	1	1	1	1	-	
GRAY SCALE OF RED	BLACK	0	0	0	0	0	0	0	0	0	0	0	0	0	0	0	0	0	0	0	0	0	0	0	0	0	0	R0		
	DARK ↑	1	0	0	0	0	0	0	0	0	0	0	0	0	0	0	0	0	0	0	0	0	0	0	0	0	0	R1		
		0	1	0	0	0	0	0	0	0	0	0	0	0	0	0	0	0	0	0	0	0	0	0	0	0	0	R2		
		:	:	:	:	:	:	:	:	:	:	:	:	:	:	:	:	:	:	:	:	:	:	:	:	:	:	.		
	↓ LIGHT	1	0	1	1	1	1	1	1	0	0	0	0	0	0	0	0	0	0	0	0	0	0	0	0	0	0	R253		
		0	1	1	1	1	1	1	1	0	0	0	0	0	0	0	0	0	0	0	0	0	0	0	0	0	0	R254		
	RED	1	1	1	1	1	1	1	1	0	0	0	0	0	0	0	0	0	0	0	0	0	0	0	0	0	0	R255		
	GRAY SCALE OF GREEN	BLACK	0	0	0	0	0	0	0	0	0	0	0	0	0	0	0	0	0	0	0	0	0	0	0	0	0	0	G0	
DARK ↑		0	0	0	0	0	0	0	0	1	0	0	0	0	0	0	0	0	0	0	0	0	0	0	0	0	0	G1		
		0	0	0	0	0	0	0	0	0	1	0	0	0	0	0	0	0	0	0	0	0	0	0	0	0	0	G2		
		:	:	:	:	:	:	:	:	:	:	:	:	:	:	:	:	:	:	:	:	:	:	:	:	:	:	.		
↓ LIGHT		0	0	0	0	0	0	0	0	1	0	1	1	1	1	1	1	0	0	0	0	0	0	0	0	0	0	G253		
		0	0	0	0	0	0	0	0	0	1	1	1	1	1	1	1	0	0	0	0	0	0	0	0	0	0	G254		
GREEN		0	0	0	0	0	0	0	0	1	1	1	1	1	1	1	1	0	0	0	0	0	0	0	0	0	0	G255		
GRAY SCALE OF BLUE		BLACK	0	0	0	0	0	0	0	0	0	0	0	0	0	0	0	0	0	0	0	0	0	0	0	0	0	0	B0	
	DARK ↑	0	0	0	0	0	0	0	0	0	0	0	0	0	0	0	0	1	0	0	0	0	0	0	0	0	0	B1		
		0	0	0	0	0	0	0	0	0	0	0	0	0	0	0	0	0	1	0	0	0	0	0	0	0	0	B2		
		:	:	:	:	:	:	:	:	:	:	:	:	:	:	:	:	:	:	:	:	:	:	:	:	:	:	.		
	↓ LIGHT	0	0	0	0	0	0	0	0	0	0	0	0	0	0	0	0	1	0	1	1	1	1	1	1	1	1	B253		
		0	0	0	0	0	0	0	0	0	0	0	0	0	0	0	0	0	1	1	1	1	1	1	1	1	1	B254		
	BLUE	0	0	0	0	0	0	0	0	0	0	0	0	0	0	0	0	1	1	1	1	1	1	1	1	1	1	B255		

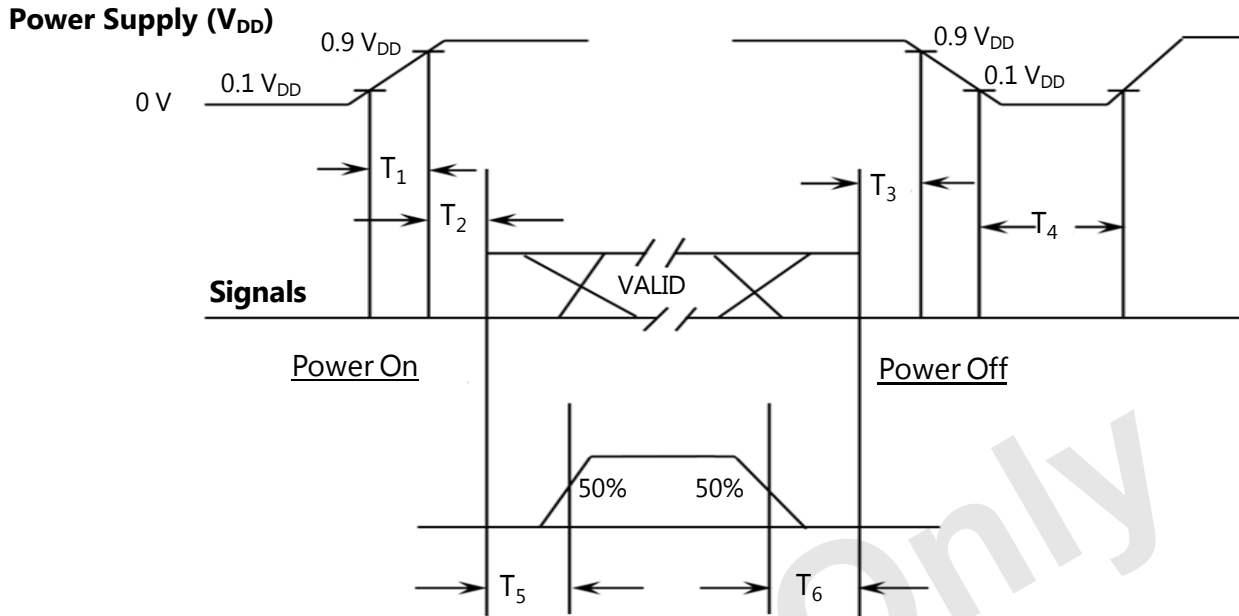
Note (1) Definition of Gray

- Rn : Red Gray, Gn : Green Gray, Bn : Blue Gray (n = Gray level)

Input Signal : 0 = Low level voltage, 1 = High level voltage

### 5.6 Power ON/OFF Sequence

To prevent a latch-up or DC operation of the LCD Module, the power on/off sequence should be as the diagram below.



SYMBOL	Min.	Typ.	Max.	Unit	Description
T <sub>1</sub>	0.5	-	10	ms	V <sub>DD</sub> rising time from 10% to 90%
T <sub>2</sub>	0.01	-	50	ms	The time from V <sub>DD</sub> to valid data at power ON
T <sub>3</sub>	0.01	-	50	ms	The time from valid data off to V <sub>DD</sub> off at power Off
T <sub>4</sub>	1	-	-	s	V <sub>DD</sub> off time for Windows restart
T <sub>5</sub>	500	-	-	ms	The time from valid data to B/L enable at power ON
T <sub>6</sub>	100	-	-	ms	The time from valid data off to B/L disable at power Off

- Note (1) The supply voltage of the external system for the Module input should be the same as the definition of VDD.
- (2) Apply the BLU power within the LCD operation range. When the back light turns on before the LCD operation or the LCD turns off before the back light turns off, the display may momentarily show abnormal screen.
- (3) In case of V<sub>DD</sub> = off level, please keep the level of input signals low or keep a high impedance.
- (4) T4 should be measured after the Module has been fully discharged between power off and on period.
- (5) Interface signal should not be kept at high impedance when the power is on.

**5.7 Input Terminal Pin Assignment**

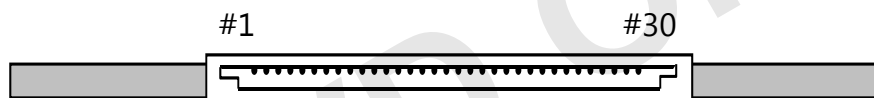
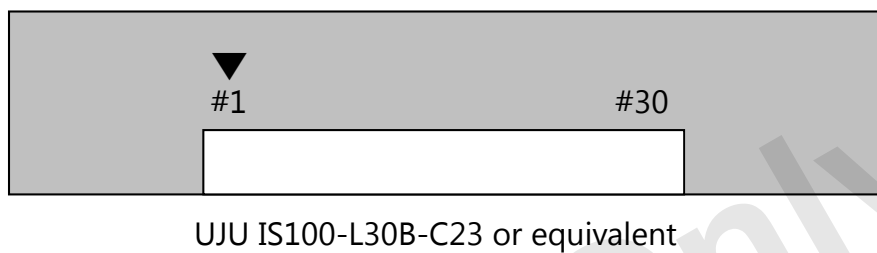
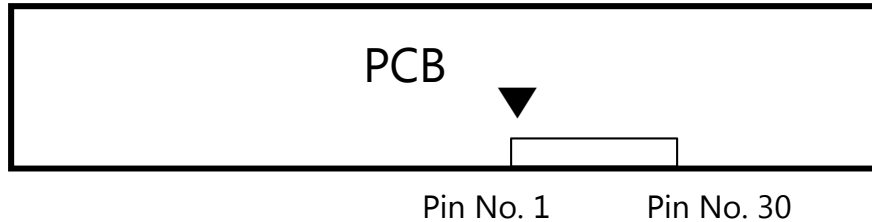
**5.7.1. Input signal & Power Pin Assignment**

Connector : UJU IS100-L30B-C23 or equivalent

Pin No.	Symbol	Function
1	RXO0N	Negative LVDS differential data output
2	RXO0P	Positive LVDS differential data output
3	RXO1N	Negative LVDS differential data output
4	RXO1P	Positive LVDS differential data output
5	RXO2N	Negative LVDS differential data output
6	RXO2P	Positive LVDS differential data output
7	GND	High speed ground
8	RXOC-	Negative Sampling Clock (ODD data)
9	RXOC+	Positive Sampling Clock (ODD data)
10	RXO3N	Negative LVDS differential data output
11	RXO3P	Positive LVDS differential data output
12	RXE0N	Negative LVDS differential data output
13	RXE0P	Positive LVDS differential data output
14	GND	High speed ground
15	RXE1N	Negative LVDS differential data output
16	RXE1P	Positive LVDS differential data output
17	GND	High speed ground
18	RXE2N	Negative LVDS differential data output
19	RXE2P	Positive LVDS differential data output
20	RXEC-	Negative Sampling Clock (EVEN data)
21	RXEC+	Positive Sampling Clock (EVEN data)
22	RXE3N	Negative LVDS differential data output
23	RXE3P	Positive LVDS differential data output
24	GND	LCD logic and driver ground
25	NC	* Reserved for LCD manufacturer's use (SDA)
26	NC	* Reserved for LCD manufacturer's use (SCL)
27	NC	* Reserved for LCD manufacturer's use (WPN)
28	VDD	Power Supply : +5V
29	VDD	
30	VDD	

Note (1) If the system already uses the 25, 26pins, it should keep under GND level  
The voltage applied to those pins should not exceed -200mV.

(2) Pin number starts from Left side



**Fig. Connector diagram**

- (3) All GND pins should be connected together and also be connected to the LCD's metal chassis.
- (4) All power input pins should be connected together.
- (5) All NC pins should be separated from other signal or power



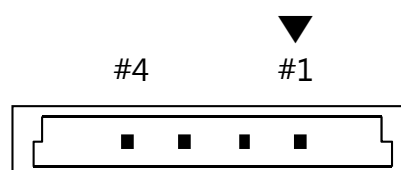
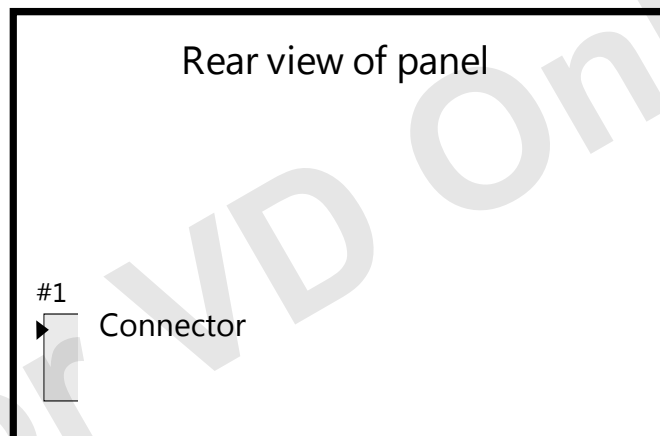
**5.7.2. LED Connector Pin assignment**

Connector : Molex 104086-0410 pr equivalent

- The mating type connector : Molex 104085-0410 or equivalent

Pin No.	Symbol	Function
1	Vin	LED power input
2	RTN 1	Channel 1 LED return
3	RTN 2	Channel 2 LED return
4	RTN 3	Channel 3 LED return

Note (1) Pin number starts from Left side



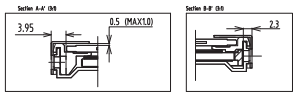
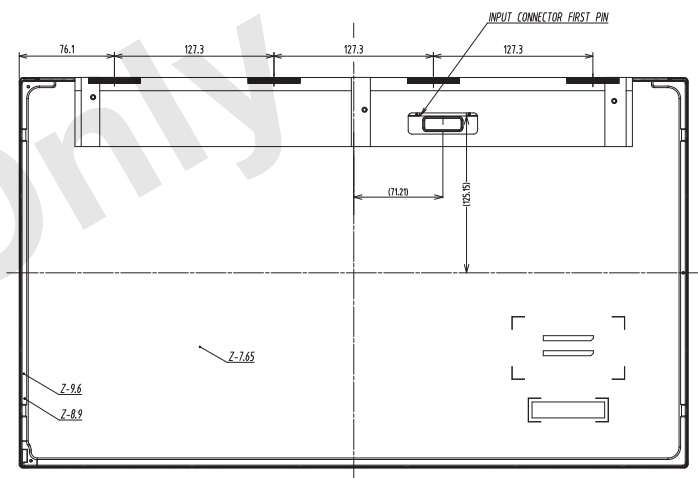
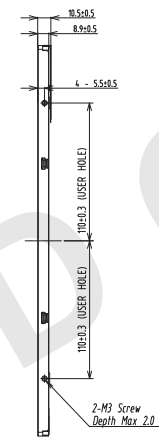
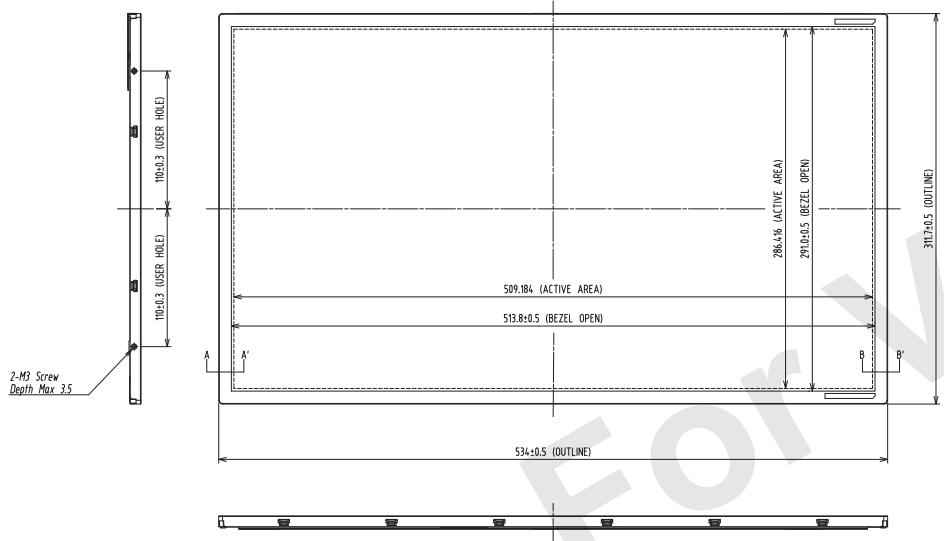
**Fig. Connector diagram**

## **6. Outline Dimension**

[ Refer to the next page ]

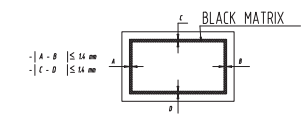
For V/D Only

75  
70  
65  
60  
55  
50  
45  
40  
35  
30  
25  
20  
15  
10  
5  
0



× NOTES

- 1.BACKLIGHT : LTM230H06 WLED
- 2.I/F CONNECTOR SPEC :  
- PAPER : I/O
- PART NO. : IS10-L308-C23  
or equivalent
- 3.LED CONNECTOR/WIRE SPECIFICATION :  
- PAPER :  
- PART NO :
- 4.SCREW SPEC TORQUE : MAX 4 Ngf-cm
- 5.USER HOLE SECTION CAN BE CONSIDERED BY THE REFERENCE  
SEC RECOMMEND TO USE THE USER HOLE DEPTH MAX 2.0mm
- 6.BLACK MATRIX SPEC



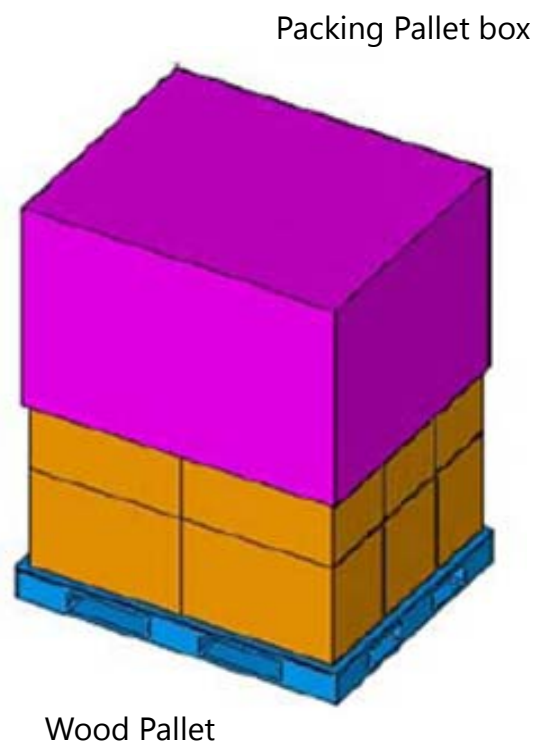
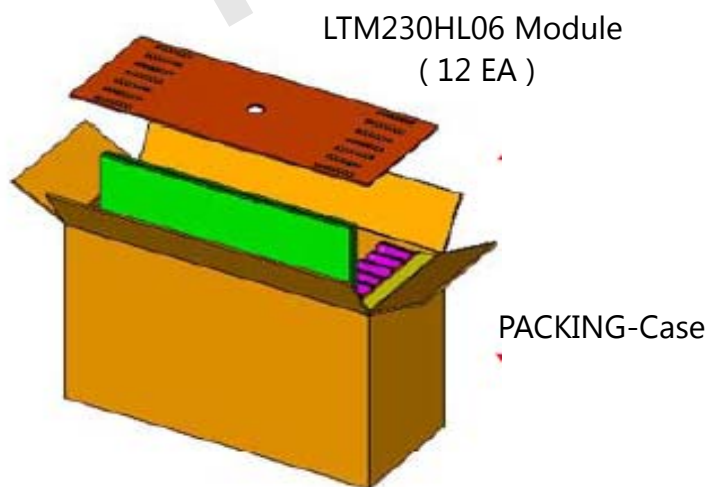
GENERAL TOLERANCE				DIM. UNIT				POSITION OF HOLE				OTHER			
STEP	UNIT	MAX	MIN	UNIT	MAX	MIN	UNIT	MAX	MIN	UNIT	MAX	MIN	UNIT	MAX	MIN
1	mm	±0.1	±0.05	mm	±0.05	±0.02	mm	±0.05	±0.02	mm	±0.05	±0.02	mm	±0.05	±0.02
2	mm	±0.05	±0.02	mm	±0.02	±0.01	mm	±0.05	±0.02	mm	±0.05	±0.02	mm	±0.05	±0.02
3	mm	±0.02	±0.01	mm	±0.01	±0.005	mm	±0.05	±0.02	mm	±0.05	±0.02	mm	±0.05	±0.02
4	mm	±0.01	±0.005	mm	±0.005	±0.002	mm	±0.05	±0.02	mm	±0.05	±0.02	mm	±0.05	±0.02

SAMSUNG DISPLAY

**7. Packing**

**7.1 Carton(TBD)**

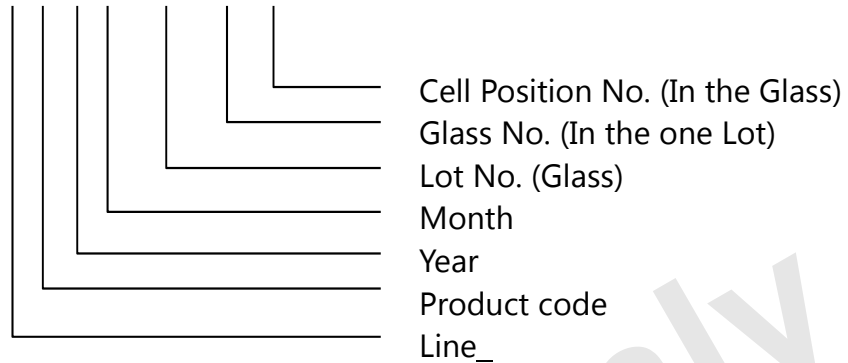
Item	Packing form	Specification
Weight	-	- Total Weight ( Including Pallet ) : TBD
Packing case	12 panels in a case	- Packing Case Size : TBD - Material : Paper (SW,DW)
Pallet box	16 cases in a box 192 panels in a box	- Packing Pallet Box Size : TBD - Material : Paper (SW)
Pallet	-	- Pallet Size : TBD - Material : Wood



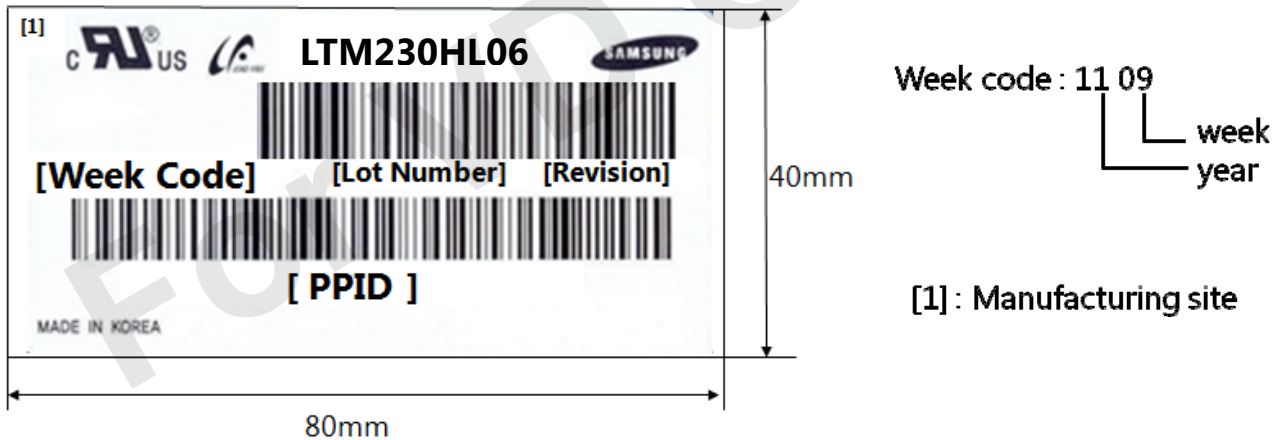
## 7.2 Marking

A nameplate bearing followed by is affixed to a shipped product at the specified location on each product.

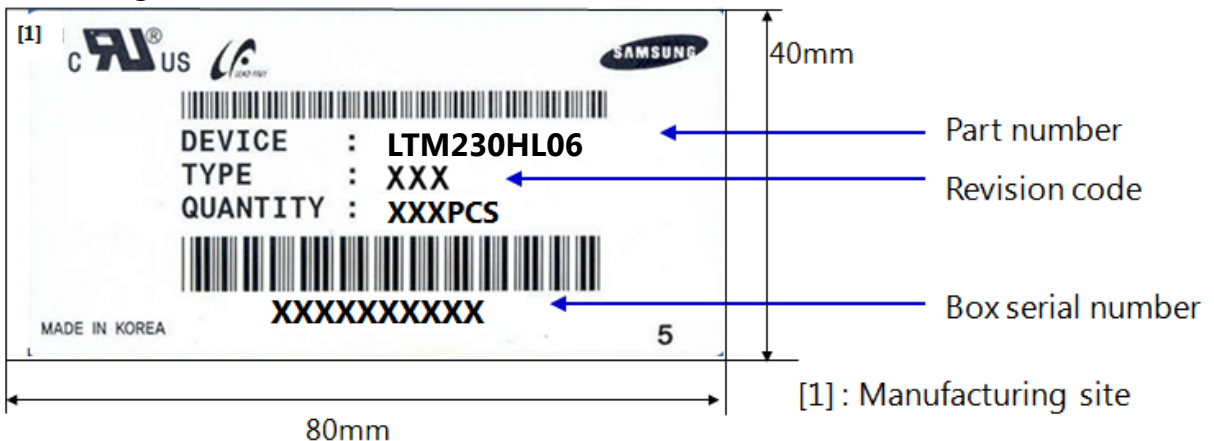
- (1) Parts number : LTM230HL06
- (2) Revision: Three letters
- (3) Lot number : X X X X XXX XX X



### (4) Nameplate Indication



### (5) Packing box attach



## 8. General Precautions

### 8.1 Handling Precautions

- A. When assembling LCD module into its system, using all the mounting holes is strongly suggested.
- B. Keep LCD module from any external shock or force which can cause physical damage to LCD module. It may cause improper operation or damage to LCD module.
- C. Polarizer films are very fragile. It could be damaged easily. Do not press or scratch the surface harder than a HB pencil lead.
- D. Wipe off water droplets or oil immediately. Water drops or oils can cause permanent stain or discoloration.
- E. To clean LCD module, please use IPA (Isopropyl Alcohol) or Hexane.
- F. Do not use ketone type material (ex. Acetone), ethyl alcohol, toluene, ethyl acid or methyl chloride. Using these could cause permanent polarizer damage to the LCD module.
- G. If the liquid crystal leaks from LCD module, keep it away from human eyes or mouth. In case of contact with human body or clothes, it should be washed with soap thoroughly.
- H. Protect LCD module from static discharge.
  - I. To keep the LCD module clean, make sure to wear fabric gloves and finger coats when you are inspecting and/or assembling the unit.
- J. Do not disassemble LCD module.
- K. Protection film on LCD module display area should be slowly peeled off just before assembly to prevent static discharge.
- L. Pins of the Interface connector should not be touched directly with bare hands.

## 8.2 Storage Precautions

It is highly recommended to comply with the criteria in the table below

Item	Unit	Min.	Max.
Storage Temperature	(°C)	5	40
Storage Humidity	(%rH)	35	75
Storage life	12 months		
Storage Condition	<ul style="list-style-type: none"> <li>- The storage room should provide good ventilation and temperature Control</li> <li>.</li> <li>- Products should not be placed on the floor, but on the Pallet away from a wall</li> <li>.</li> <li>- Prevent products from direct sunlight, moisture nor water; Be cautious of a build up of condensation.</li> <li>- Avoid other hazardous environment while storing goods.</li> <li>- If products delivered or kept in conditions of over the storage period of 3 months, the recommended temperature or humidity range, it is recommended to leave them at a temperature of 20°C and a humidity of 50% for 24 hours.</li> </ul>		

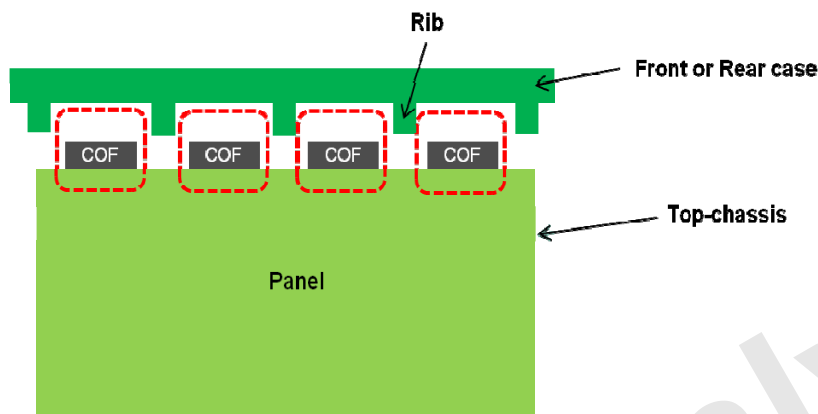
### 8.3 Operating Precautions

- A. If the module is used to other applications besides the recommendation on General Description, please contact SAMSUNG for application engineering device in advance
- B. Do not connect or disconnect the LCD module when it is set to the "Power On" condition.
- C. Input power should always follow '5.6 Power on/off sequence'
- D. Polarizer films are very fragile. It could be damaged easily. Do not press or scratch the Polarizer films
- E. LCD module contains electrical circuits that operate in high frequencies. To minimize electromagnetic interference, be sure to sufficiently ground and shield the LCD module and system.
- F. If LCD module containing system is out of SAMSUNG 's operating condition, SAMSUNG can not guarantee LCD module operating properly.
- G. If the product will be used in extreme conditions such as high temperature, humidity, display patterns, operation time, etc., it is strongly recommended to contact SAMSUNG for application engineering device. Otherwise, the reliability and function of the module may not be guaranteed. Extreme conditions are commonly found at airports, transit stations, banks, stocks, markets, and controlling systems.
- H. Ultra-violet ray filter is necessary for outdoor operation.
- I. If the module keeps displaying the same pattern for a long period of time, the image maybe burned in to the screen. To avoid image retention, it is recommended to use a screen saver.
- J. This module has its PCB's circuitry on the rear side and should be handled carefully in order to avoid stress.
- K. Please contact SAMSUNG beforehand, if you plan to display the same pattern for a long period of time.
- L. Any foreign materials brought into an LCD module by external forced-airflow are not guaranteed by SAMSUNG .

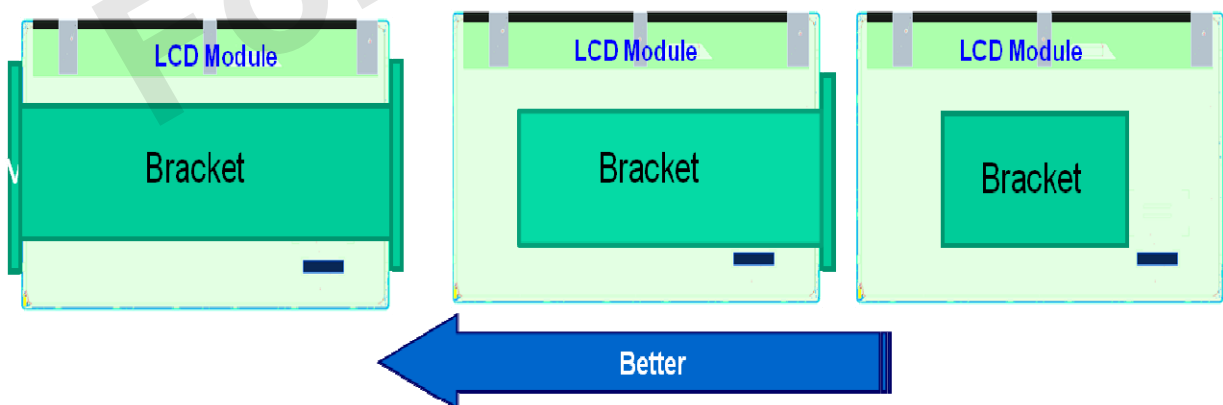


### 8.4 Design Guide for System

- A. The LED driver should be designed in compliance with the specifications of LED bar strictly to make the LED in LCD module perform as expected
- B. It is recommended that you locate the rib on the front or rear cover not to be placed on the spot where D-IC is located on the upper or left of LCD module.

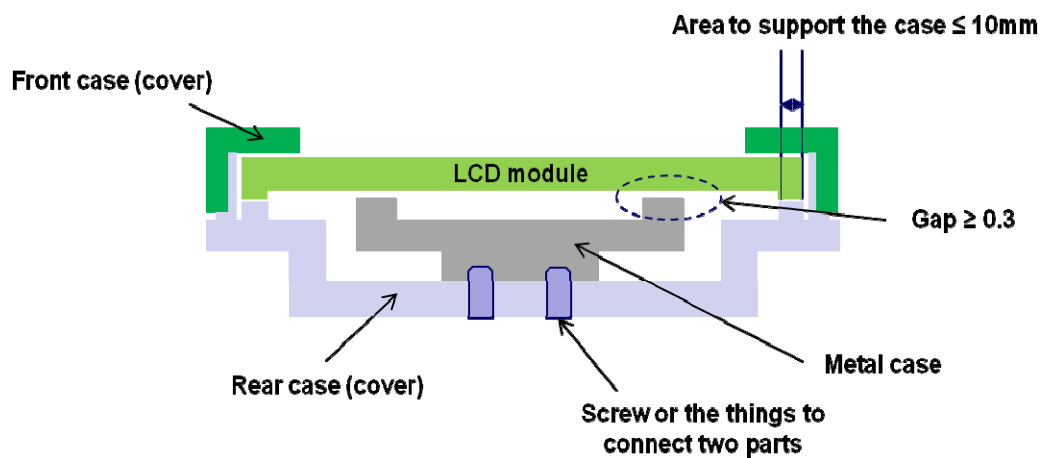


- C. It is recommended that assemble the bracket which has two sides with holes for assembly.
- D. It is recommended that you design the bracket with the structure which covers the sides of module when designing the bracket for customer.
- E. It is recommended that you design the bracket not to be interfered with the SET at the area where the PBA of module is located.



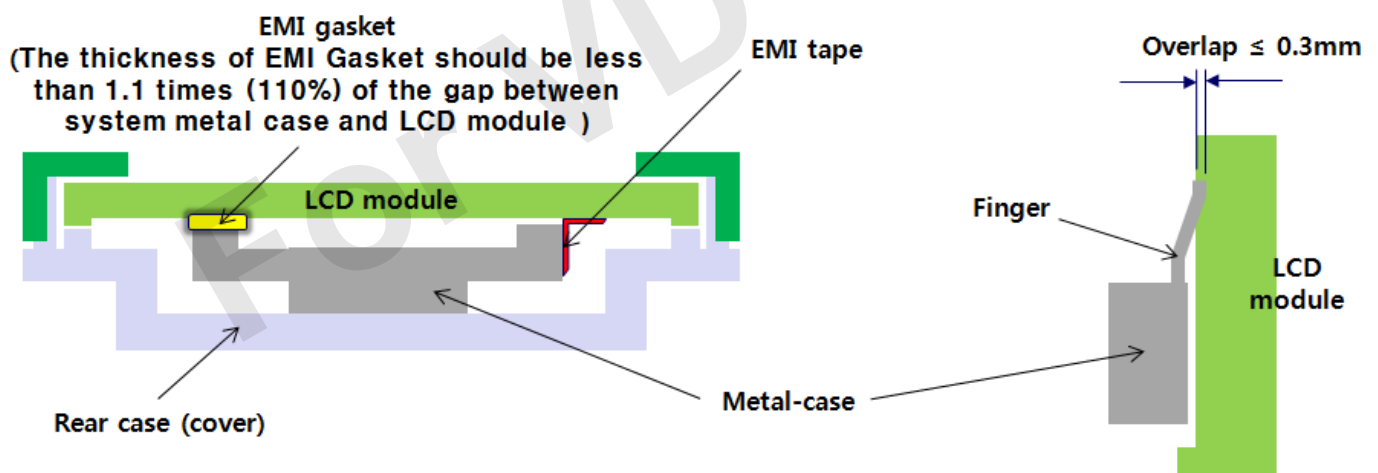
- F. It is recommended that more than 0.3 mm is allowable as a gap between the metal case and the rear of module.
- G. It is recommended that structure to support the module shall be far away 10mm from the edge of border.

H. It is recommended that metal case (or board) shall be affixed to the rear case at the spot where is far away 10mm from the edge of border.



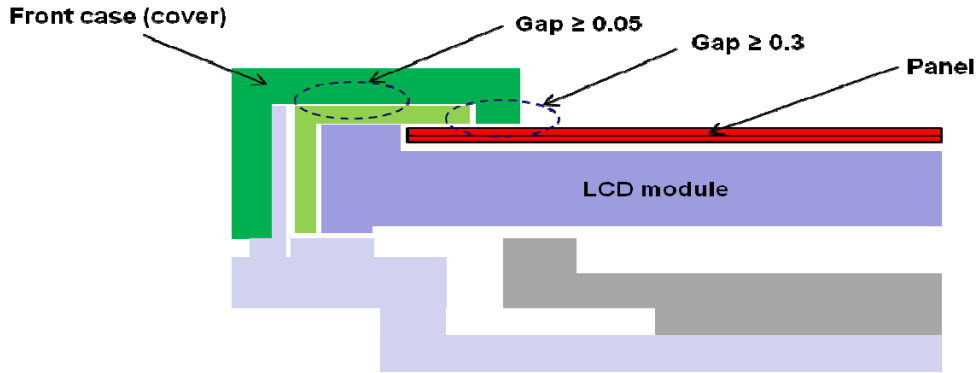
I. When applying the measures described below to reduce the level of EMI which occurs between the metal cover and the rear of module.

J. If you use Finger, less than 0.3mm is allowable for overlap.

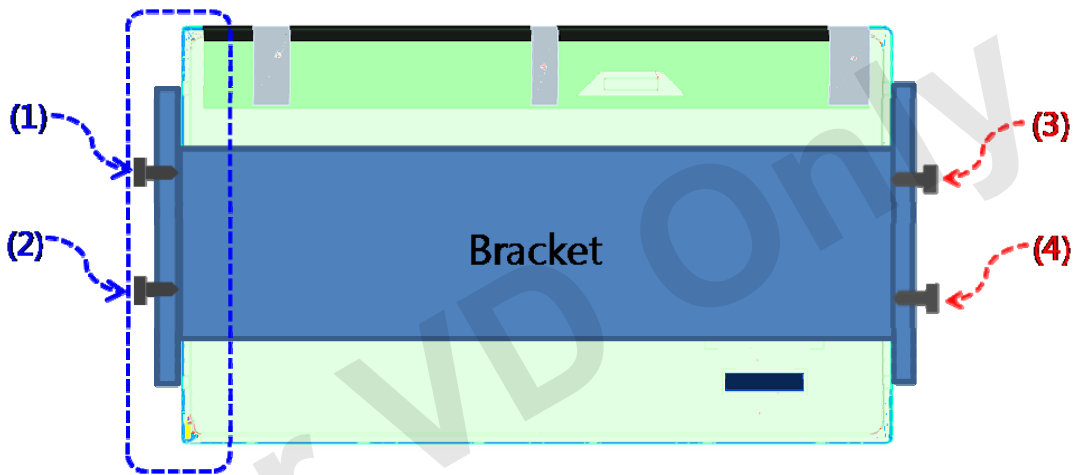


K. It is recommended that more than 0.3mm gap between the front case (or cover) and the panel glass is allowable.

L. It is recommended that more than 0.05mm gap between the front case and the top chassis is allowable.



M. It is recommended that insert the screws into user holes from the ones on the parts, which the light comes out to ones in the corresponding parts.



N. It is recommended that design the metal frame and the top chassis to be in parallel with having no gap after inserting the side screw.

