

Shoulder 好达

SHOULDER ELECTRONICS CO., LTD.

CERAMIC FILTER Data Sheet

PRODUCT 产品: CERAMIC FILTER

MODEL NO 型号: LTM...W

PREPARED 编制: Fengyu

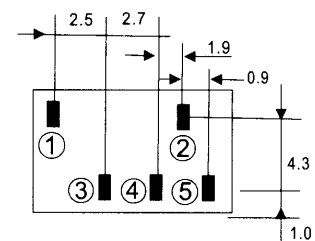
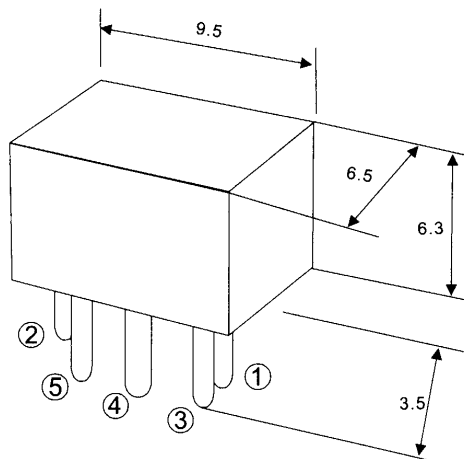
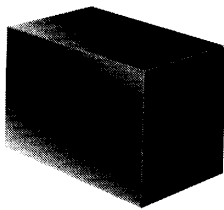
CHECKED 审核: York

APPROVED 批准:

DATE 日期: 2007-01-25

LTM 455(450).W SERIES

Part Number	Center Frequency (KHz)	Insertion Loss (dB)	PassBand Ripple (dB) max	6dB Bandwidth (KHz) min	50dB Bandwidth (KHz) min	Stop Band Att. ± 10 KHz (dB) min	I/O Impedance (Ω)
LTM450BW	450 \pm 2.0	4	2	± 15	± 30	40	1500
LTM455BW	455 \pm 2.0	4	2	± 15	± 30	40	1500
LTM450CW	450 \pm 2.0	4	2	± 12.5	± 24	40	1500
LTM455CW	455 \pm 2.0	4	2	± 12.5	± 24	40	1500
LTM450DW	450 \pm 1.5	4	2	± 10	± 20	40	1500
LTM455DW	455 \pm 1.5	4	2	± 10	± 20	40	1500
LTM450EW	450 \pm 1.5	6	2	± 7.5	± 15	40	1500
LTM455EW	455 \pm 1.5	6	2	± 7.5	± 15	40	1500
LTM450FW	450 \pm 1.5	6	2	± 6	± 12.5	40	2000
LTM455FW	455 \pm 1.5	6	2	± 6	± 12.5	40	2000
LTM450GW	450 \pm 1.5	6	2	± 4.5	± 10	40	2000
LTM455GW	455 \pm 1.5	6	2	± 4.5	± 10	40	2000
LTM450HW	450 \pm 1.0	6	2	± 3	± 9	40	2000
LTM455HW	455 \pm 1.0	6	2	± 3	± 9	40	2000
LTM450IW	450 \pm 1.0	6	2	± 2	± 7.5	40	2000
LTM455IW	455 \pm 1.0	6	2	± 2	± 7.5	40	2000
LTM450HTW	450 \pm 1.0	6	2	± 3	± 9	60	2000
LTM455HTW	455 \pm 1.0	6	2	± 3	± 9	40	2000



- ① Input
- ② Output
- ③ ④ ⑤ Ground (in mm)