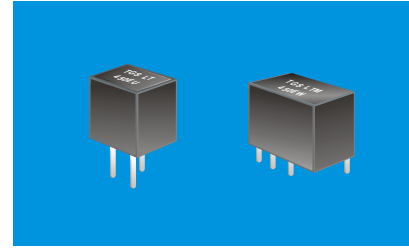


FEATURES

- Low Cost
- Wide Range of Band Widths
- Full Size, Medium Size and Ultra-small Size

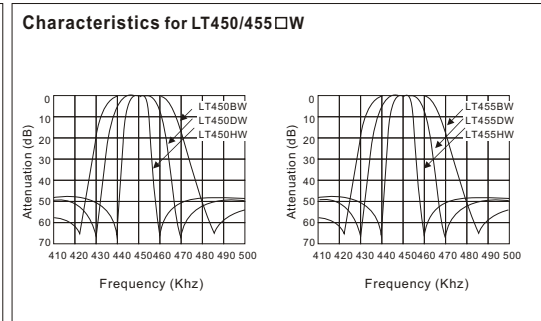
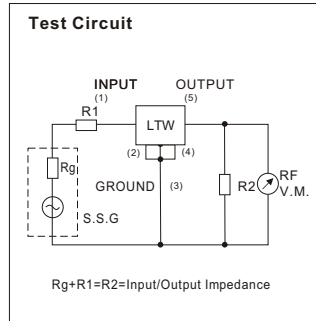
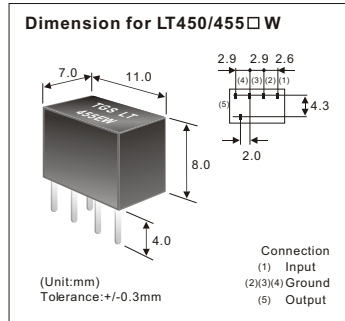
APPLICATIONS

- Telecommunications



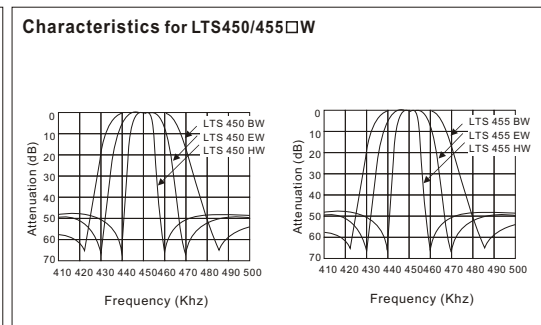
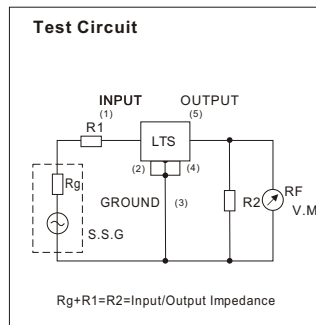
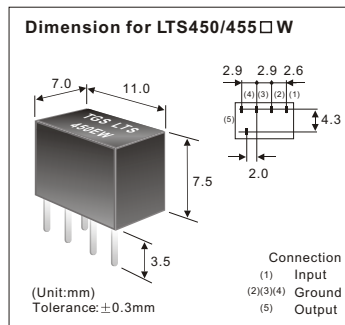
SPECIFICATIONS FOR LT 450/455 □ W SERIES

Characteristics Part Number	Center Frequency (KHz)	Insertion Loss (dB Max.)	Passband Ripple (dB Max.)	6dB Bandwidth (KHz)Min	50dB Bandwidth (KHz)Max	Stop band Att +/-100KHz (dB)Min	Input/output Impedance (ohm)
LT450BW, 455BW	fo+/-2.0	4	2	+/-15.0	+/-30.0	40	1500
LT450CW, 455CW	fo+/-2.0	4	2	+/-12.5	+/-24.0	40	1500
LT450DW, 455DW	fo+/-1.5	4	2	+/-10.0	+/-20.0	40	1500
LT450EW, 455EW	fo+/-1.5	6	2	+/-7.5	+/-15.0	40	1500
LT450FW, 455FW	fo+/-1.5	4	2	+/-10.0	+/-20.0	40	1500
LT450GW, 455GW	fo+/-1.5	6	2	+/-4.5	+/-10.0	40	2000
LT450HW, 455HW	fo+/-1.0	6	2	+/-3.0	+/-9.0	40	2000
LT450IW, 455IW	fo+/-1.0	6	2	+/-2.0	+/-7.5	40	2000
LT450HTW, 455HTW	fo+/-1.0	6	2	+/-3.0	+/-9.0	60	2000
LT450ITW, 455ITW	fo+/-1.0	6	2	+/-2.0	+/-7.5	60	2000



SPECIFICATIONS FOR LTS 450/455 □ W SERIES

Characteristics Part Number	Center Frequency (KHz)	Insertion Loss (dB Max.)	Passband Ripple (dB Max.)	6dB Bandwidth (KHz)Min	50dB Bandwidth (KHz)Max	Stop band Att +/-100KHz (dB)Min	Input/output Impedance (ohm)
LTS450BW, 455BW	Fo+/-2.0	4	2	+/-15.0	+/-30.0	40	1500
LTS450CW, 455CW	fo+/-2.0	4	2	+/-12.5	+/-24.0	40	1500
LTS450DW, 455CW	fo+/-1.5	4	2	+/-10.0	+/-20.0	40	1500
LTS450EW, 455EW	fo+/-1.5	6	2	+/-7.5	+/-15.0	40	1500
LTS450FW, 455FW	fo+/-1.5	6	2	+/-6.0	+/-12.5	40	2000
LTS450GW, 455GW	fo+/-1.5	6	2	+/-4.5	+/-10.0	40	2000
LTS450HW, 455HW	fo+/-1.0	6	2	+/-3.0	+/-9.0	40	2000
LTS450IW, 455IW	fo+/-1.0	6	2	+/-2.0	+/-7.5	40	2000
LTS450HTW, 455HTW	fo+/-1.0	6	2	+/-3.0	+/-9.0	60	2000
LTS450ITW, 455ITW	fo+/-1.0	6	2	+/-2.0	+/-7.5	60	2000



SPECIFICATIONS FOR LTM 450/455 □ W SERIES

Characteristics Part Number	Center Frequency (KHz)	Insertion Loss (dB Max.)	Passband Ripple (dB Max.)	6dB Bandwidth (KHz)Min	50dB Bandwidth (KHz)Max	Stop band Att ±100KHz (dB)Min	Input/output Impedance (Ω)
LTM450BW, 455BW	fo±2.0	4	2	±15.0	±30.0	40	1500
LTM450CW, 455CW	fo±2.0	4	2	±12.5	±24.0	40	1500
LTM450DW, 455CW	fo±1.5	4	2	±10.0	±20.0	40	1500
LTM450EW, 455EW	fo±1.5	6	2	±7.5	±15.0	40	1500
LTM450FW, 455FW	fo±1.5	6	2	±6.0	±12.5	40	2000
LTM450GW, 455GW	fo±1.5	6	2	±4.5	±10.0	40	2000
LTM450HW, 455HW	fo±1.0	6	2	±3.0	±9.0	40	2000
LTM450IW, 455IW	fo±1.0	6	2	±2.0	±7.5	40	2000
LTM450HTW, 455HTW	fo±1.0	6	2	±3.0	±9.0	60	2000
LTM450ITW, 455ITW	fo±1.0	6	2	±2.0	±7.5	60	2000

Dimension for LTM450/455□W

(Unit:mm)
Tolerance: +/-0.3mm

Connection
(1) Input
(2) Output
(3)(4)(5) Ground

Test Circuit

Rg+R1=R2=Input/Output Impedance

Characteristics for LTM450/455□W

SPECIFICATIONS FOR LT 450/455□U SERIES

Part Number	Characteristics	Center Frequency (KHz)	Insertion Loss (dB Max.)	Passband Ripple (dB Max.)	6dB Bandwidth (KHz)Min	50dB Bandwidth (KHz)Max	Stop band Att +/-100KHz (dB)Min	Input/output Impedance (ohm)
LT450BU,455BU		fo+/-2.0	4	2	+/-15.0	+/-30.0	30	1500
LT450CU,455CU		fo+/-2.0	4	2	+/-12.5	+/-24.0	30	1500
LT450DU,455DU		fo+/-1.5	4	2	+/-10.0	+/-20.0	30	1500
LT450EU,455EU		fo+/-1.5	6	2	+/-7.5	+/-15.0	30	1500
LT450FU,455FU		fo+/-1.5	6	2	+/-6.0	+/-12.5	30	2000
LT450GU,455GU		fo+/-1.5	6	2	+/-4.5	+/-10.0	30	2000
LT450HU,455HU		fo+/-1.0	6	2	+/-3.0	+/-9.0	30	2000
LT450IU,455IU		fo+/-1.0	6	2	+/-2.0	+/-7.5	30	2000
LT450HTU,455HTU		fo+/-1.0	6	2	+/-3.0	+/-9.0	35	2000
LT450ITU,455ITU		fo+/-1.0	6	2	+/-2.0	+/-7.5	35	2000

Dimension for LT450/455□U

(Unit:mm)
Tolerance: +/-0.3mm

Connection
(1) Input
(2) Ground
(3) Output

Test Circuit

Rg+R1=R2=Input/Output Impedance

Characteristics for LT450/455□U

SPECIFICATIONS FOR LTM450/455□U SERIES

Part Number	Characteristics	Center Frequency (KHz)	Insertion Loss (dB Max.)	Passband Ripple (dB Max.)	6dB Bandwidth (KHz)Min	50dB Bandwidth (KHz)Max	Stop band Att ±100KHz (dB)Min	Input/output Impedance (ohm)
LTM450BU,455BU		fo+/-2.0	4	2	+/-15.0	+/-30.0	30	1500
LTM450CU,455CU		fo+/-2.0	4	2	+/-12.5	+/-24.0	30	1500
LTM450DU,455DU		fo+/-1.5	4	2	+/-10.0	+/-20.0	30	1500
LTM450EU,455EU		fo+/-1.5	6	2	+/-7.5	+/-15.0	30	1500
LTM450FU,455FU		fo+/-1.5	6	2	+/-6.0	+/-12.5	30	2000
LTM450GU,455GU		fo+/-1.5	6	2	+/-4.5	+/-10.0	30	2000
LTM450HU,455HU		fo+/-1.0	6	2	+/-3.0	+/-9.0	30	2000
LTM450IU,455IU		fo+/-1.0	6	2	+/-2.0	+/-7.5	30	2000
LTM450HTU,455HTU		fo+/-1.0	6	2	+/-3.0	+/-9.0	35	2000
LTM450ITU,455ITU		fo+/-1.0	6	2	+/-2.0	+/-7.5	35	2000

Dimension for LTM450/455□U

(Unit:mm)
Tolerance: +/-0.3mm

Connection
(1) Input
(2) Output
(3)(4) Ground

Test Circuit

Rg+R1=R2=Input/Output Impedance

Characteristics for LTM450/455□U

PART NUMBER GUIDE

TGS	LT	M	455	E	W
Mark	Ceramic Filter	Blank: Height-8.0mm M: Height-6.3mm S: Height-7.5mm	Freq.Range	Grade	W: 5 Pin U: 3 Pin

For example: TGS LTM 455 EW