

# Ceramic Filters for Communication

**Ceramic Filter for Communication  
(Murata CFUM/WM 455/450 Compatible)**



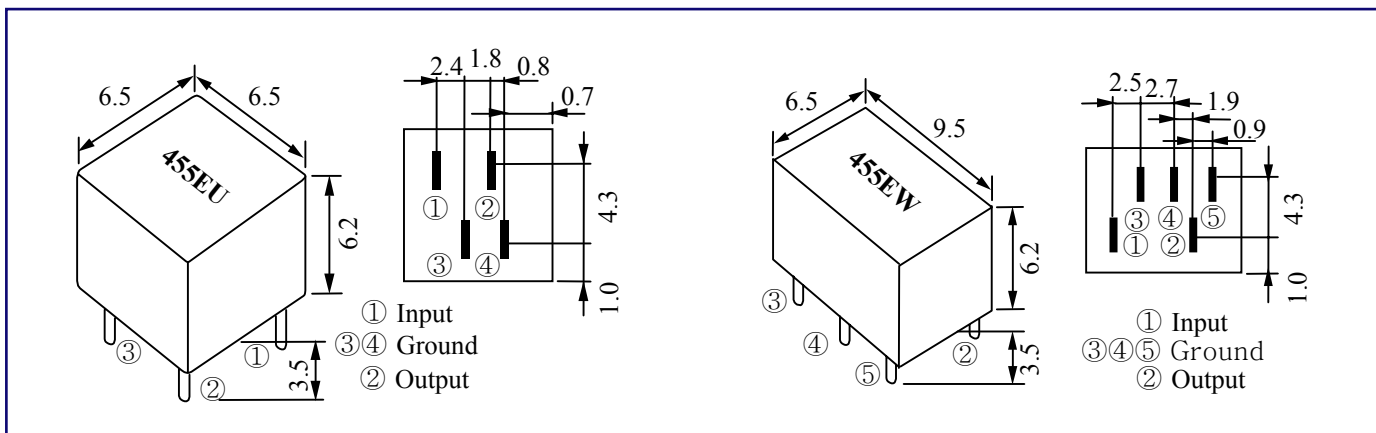
▶ **Preview**

Token ceramic filters for communication LTM 455/450 U/W series are miniaturized versions of the Murata CFU/CFWS lines.

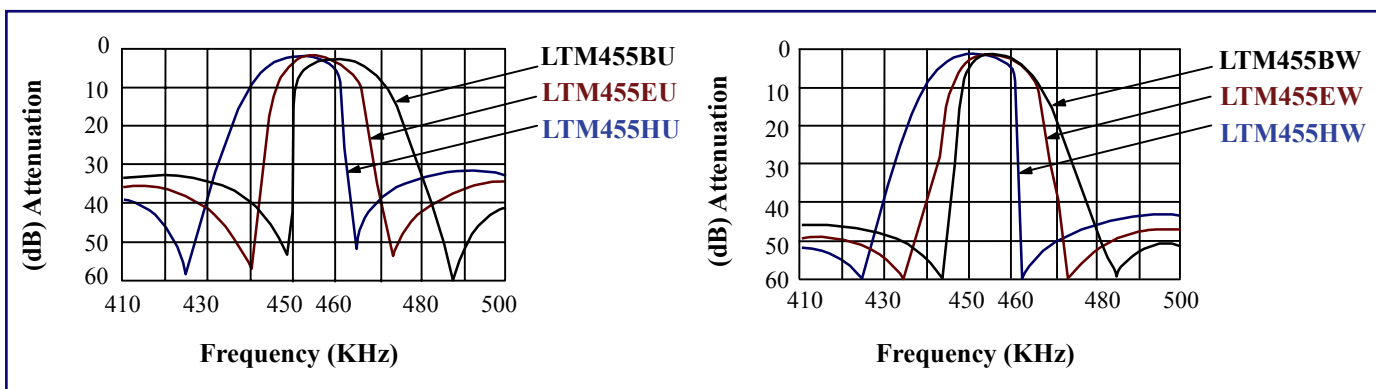
These compact, highly selective characteristics are recommended for use in applications ranging from two-way radio to auxiliary filters in high class transceivers.

These ultra-miniature versions consume approximately 40% less volume while still offering the same high performance filter characteristics.

## Dimensions



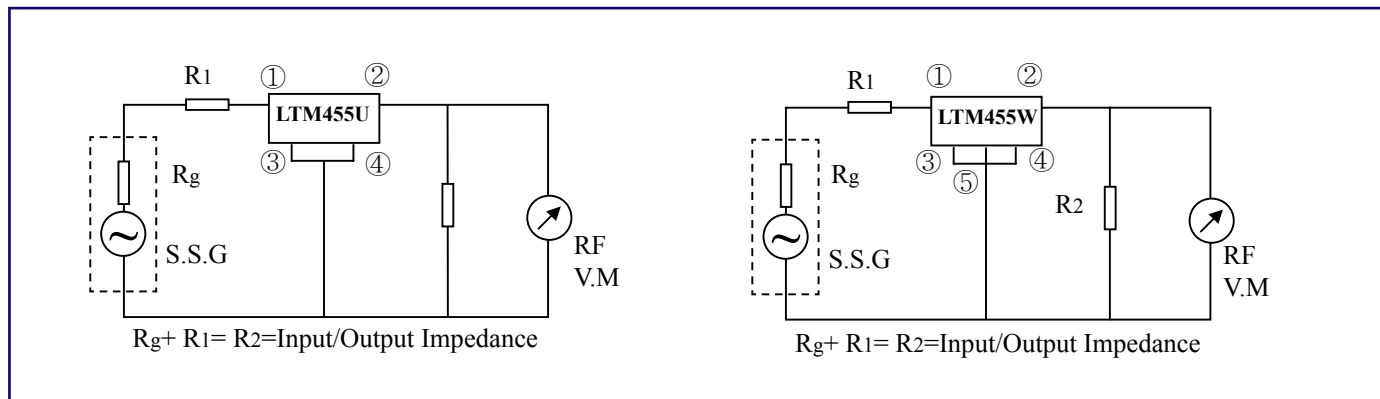
## Technical Characteristics



Part Number		Center Frequency (kHz)	Insertion Loss (dB) max	Pass Band Ripple (dB) max	6dB Band Width (kHz) min	40dB Band Width (kHz) max LTM455 U	50dB Band Width (kHz) max LTM455 W	Spurious Attenuation fo±100kHz (dB) min		Input / Output Impedance (Ω)
								(LTM 455 U)	(LTM 455 W)	
LTM455AU	LTM455AW	455±2.0	4	2	±17.5	±40	±35	28	40	1000
LTM455BU	LTM455BW	455±2.0	4	2	±15	±30	±30	28	40	1500
LTM455CU	LTM455CW	455±2.0	4	2	±12.5	±24	±24	28	40	1500
LTM455DU	LTM455DW	455±1.5	4	2	±10	±20	±20	28	40	1500
LTM455EU	LTM455EW	455±1.5	6	2	±7.5	±15	±15	28	40	1500
LTM455FU	LTM455FW	455±1.5	6	2	±6	±12.5	±12.5	28	40	2000
LTM455GU	LTM455GW	455±1.5	6	2	±4.5	±10	±10	28	40	2000
LTM455HU	LTM455HW	455±1.0	6	2	±3	±9	±9	28	40	2000
LTM455IU	LTM455IW	455±1.0	6	2	±2	±7.5	±7.5	28	40	2000
LT M455HTU	LT M455HTW	455±1.0	6	2	±3	±9	±9	35	60	2000

Note: Center frequency 450KHz is also available.

## ▶ Test Circuit



## ▶ How to Order

LTM455BU

❶

P

❷

❶ Part Number

❷ Package

*Back to 1st Page - Ceramic Filters for Communication - LTM 455/450*