

# Dual 25A or Single 50A $\mu$ Module Regulator with Digital Power System Management

## FEATURES

- Dual Digitally Adjustable Analog Loops with Digital Interface for Control and Monitoring
- Wide Input Voltage Range: 4.5V to 16V
- Output Voltage Range: 0.5V to 3.4V
- $\pm 0.5\%$  Maximum DC Output Error Over Temperature
- $\pm 3.5\%$  Current Readback Accuracy,  $-20^{\circ}\text{C}$  to  $125^{\circ}\text{C}$
- Sub-Milliohm DCR Current Sensing
- Integrated Input Current Sense Amplifier
- 400kHz PMBus-Compliant I<sup>2</sup>C Serial Interface
- Supports Telemetry Polling Rates up to 125Hz
- Integrated 16-Bit  $\Delta\Sigma$  ADC
- Constant Frequency Current Mode Control
- Parallel and Current Share Up to 250A
- 16mm  $\times$  16mm  $\times$  5.86mm CoP-BGA Package

### Readable Data

- Input and Output Voltages, Currents, and Temperatures
- Running Peak Values, Uptime, Faults and Warnings
- Onboard EEPROM Fault Log Record

### Writable Data and Configurable Parameters

- Output Voltage, Voltage Sequencing and Margining
- Digital Soft-Start/Stop Ramp, Program Analog Loop
- OV/UV/OT, UVLO, Frequency and Phasing

## APPLICATIONS

- System Optimization, Characterization and Data Mining in Prototype, Production and Field Environments

## DESCRIPTION

The LTM<sup>®</sup>4678 is a dual 25A or single 50A step-down  $\mu$ Module<sup>®</sup> (power module) DC/DC regulator featuring remote configurability and telemetry-monitoring of power management parameters over PMBus—an open standard I<sup>2</sup>C-based digital interface protocol. The LTM4678 is comprised of digitally programmable analog control loops, precision mixed-signal circuitry, EEPROM, power MOSFETs, inductors and supporting components.

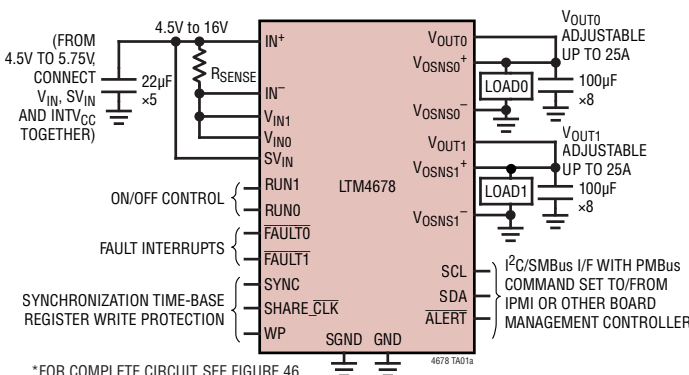
The LTM4678's 2-wire serial interface allows outputs to be margined, tuned and ramped up and down at programmable slew rates with sequencing delay times. True input current sense, output currents and voltages, output power, temperatures, uptime and peak values are readable. Custom configuration of the EEPROM contents is not required. At start-up, output voltages, switching frequency, and channel phase angle assignments can be set by pin-strapping resistors. The LTpowerPlay<sup>®</sup> GUI and DC1613 USB-to-PMBus converter and demo kits are available.

The LTM4678 is offered in a 16mm  $\times$  16mm  $\times$  5.86mm CoP-BGA package available with SnPb or RoHS compliant terminal finish.

All registered trademarks and trademarks are the property of their respective owners. Protected by U.S. Patents including 5408150, 5481178, 5705919, 5929620, 6144194, 6177787, 6580258, 7420359, 8163643. Licensed under U.S. Patent 7000125 and other related patents worldwide.

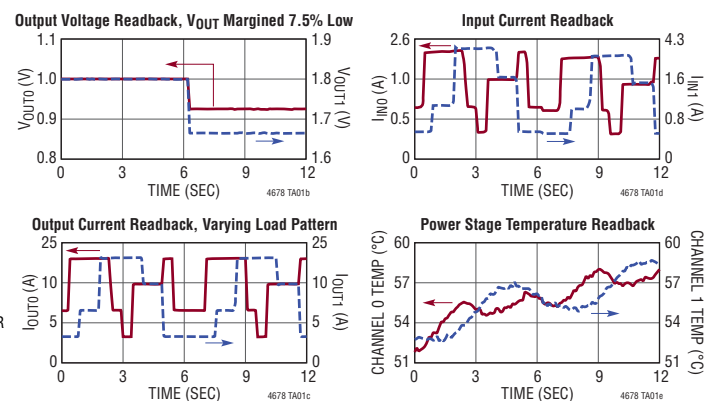
## TYPICAL APPLICATION

Dual 25A  $\mu$ Module Regulator with Digital Interface for Control and Monitoring\*



\*FOR COMPLETE CIRCUIT, SEE FIGURE 46

Using PMBus and LTpowerPlay to Monitor Telemetry and Margin  $V_{OUT0}/V_{OUT1}$  During Load Pattern Tests, 10Hz Polling Rate, 12V<sub>IN</sub>



## TABLE OF CONTENTS

<b>Features</b> .....	<b>1</b>	FSWPH_CFG Pin Strapping Look-Up Table to Set the LTM4678's Switching Frequency and Channel Phase-Interleaving Angle (Not Applicable if MFR_CONFIG_ALL[6] = 1b) .....	31
<b>Applications</b> .....	<b>1</b>	ASEL Pin Strapping Look-Up Table to Set the LTM4678's Slave Address (Applicable Regardless of MFR_CONFIG_ALL[6] Setting) .....	32
<b>Typical Application</b> .....	<b>1</b>	LTM4678 MFR_ADDRESS Command Examples Expressed in 7- and 8-Bit Addressing .....	32
<b>Description</b> .....	<b>1</b>	<b>Fault Detection and Handling</b> .....	<b>32</b>
<b>Table of Contents</b> .....	<b>2</b>	Status Registers and <u>ALERT</u> Masking .....	33
<b>Absolute Maximum Ratings</b> .....	<b>4</b>	Mapping Faults to <u>FAULT</u> Pins .....	35
<b>Order Information</b> .....	<b>4</b>	Power Good Pins .....	35
<b>Pin Configuration</b> .....	<b>4</b>	CRC Protection .....	35
<b>Electrical Characteristics</b> .....	<b>5</b>	<b>Serial Interface</b> .....	<b>35</b>
<b>Typical Performance Characteristics</b> .....	<b>12</b>	Communication Protection .....	35
<b>Pin Functions</b> .....	<b>15</b>	<b>Device Addressing</b> .....	<b>35</b>
<b>Simplified Block Diagram</b> .....	<b>19</b>	Responses to $V_{OUT}$ and $I_{IN}/I_{OUT}$ Faults .....	36
<b>Decoupling Requirements</b> .....	<b>19</b>	Output Overvoltage Fault Response .....	36
<b>Functional Diagram</b> .....	<b>20</b>	Output Undervoltage Response .....	37
<b>Test Circuits</b> .....	<b>21</b>	Peak Output Overcurrent Fault Response .....	37
<b>Operation</b> .....	<b>22</b>	Responses to Timing Faults .....	37
Power Module Introduction .....	22	Responses to $V_{IN}$ OV Faults .....	37
Power Module Overview, Major Features .....	22	Responses to OT/UT Faults .....	37
EEPROM with ECC .....	23	Internal Overtemperature Fault Response .....	37
Power-Up and Initialization .....	24	External Overtemperature and Undertemperature Fault Response .....	38
Soft-Start .....	25	Responses to Input Overcurrent and Output Undercurrent Faults .....	38
Time-Based Sequencing .....	25	Responses to External Faults .....	38
Voltage-Based Sequencing .....	25	Fault Logging .....	38
Shutdown .....	26	Bus Timeout Protection .....	38
Light-Load Current Operation .....	26	Similarity Between PMBus, SMBus and I <sup>2</sup> C 2-Wire Interface .....	39
Switching Frequency and Phase .....	27	PMBus Serial Digital Interface .....	39
PWM Loop Compensation .....	27	Abbreviations of Supported Data Formats .....	40
Output Voltage Sensing .....	27	Figure 7 to Figure 24 PMBus Protocols .....	41
INTV <sub>CC</sub> /EXTV <sub>CC</sub> Power .....	27	<b>PMBus Command Summary</b> .....	<b>44</b>
Output Current Sensing and Sub Milliohm DCR Current Sensing .....	28	PMBus Commands .....	44
Input Current Sensing .....	28	PMBus Commands Summary (Note: The Data Format Abbreviations are Detailed in Table 8) .....	44
PolyPhase Load Sharing .....	28	Data Format Abbreviations .....	49
External/Internal Temperature Sense .....	29		
RCONFIG (Resistor Configuration) Pins .....	29		
VOUTn_CFG Pin Strapping Look-Up Table for the LTM4678's Output Voltage, Coarse Setting (Not Applicable if MFR_CONFIG_ALL[6] = 1b) .....	29		
VTRIMn_CFG Pin Strapping Look-Up Table for the LTM4678's Output Voltage, Fine Adjustment Setting (Not Applicable if MFR_CONFIG_ALL[6] = 1b) .....	30		

## TABLE OF CONTENTS

<b>Applications Information</b> .....	<b>50</b>	General Configuration Commands .....	78
V <sub>IN</sub> to V <sub>OUT</sub> Step-Down Ratios .....	50	On/Off/Margin.....	79
Input Capacitors .....	50	PWM Configuration .....	81
Output Capacitors .....	50	Voltage.....	84
Light Load Current Operation .....	50	Input Voltage and Limits.....	84
Switching Frequency and Phase .....	51	Output Voltage and Limits .....	85
Recommended Switching Frequency for Various		Output Current and Limits .....	88
V <sub>IN</sub> -to-V <sub>OUT</sub> Step-Down Scenarios .....	52	Input Current and Limits .....	90
Output Current Limit Programming .....	52	Temperature.....	91
Minimum On-Time Considerations .....	53	Power Stage DCR Temperature Calibration.....	91
Variable Delay Time, Soft-Start and Output		Timing.....	92
Voltage Ramping .....	53	Timing—On Sequence/Ramp.....	92
Digital Servo Mode .....	53	Timing—Off Sequence/Ramp .....	93
Soft Off (Sequenced Off) .....	54	Precondition for Restart .....	94
Undervoltage Lockout .....	55	Fault Response .....	94
Fault Detection and Handling .....	55	Fault Responses All Faults .....	94
Open-Drain Pins .....	55	Fault Responses Input Voltage.....	95
Phase-Locked Loop and Frequency		Fault Responses Output Voltage.....	95
Synchronization .....	56	VOUT_OV_FAULT_RESPONSE Data Byte Contents....	96
Input Current Sense Amplifier .....	57	VOUT_UV_FAULT_RESPONSE Data Byte Contents....	97
Programmable Loop Compensation .....	57	Fault Responses Output Current.....	98
Checking Transient Response .....	58	OUT_OC_FAULT_RESPONSE Data Byte Contents....	99
PolyPhase Configuration .....	59	Fault Responses IC Temperature .....	99
Connecting The USB to I <sup>2</sup> C/SMBus/PMBus		Data Byte Contents MFR_OT_FAULT_RESPONSE....	100
Controller to the LTM4678 In System .....	59	Fault Responses External Temperature.....	100
LTpowerPlay: An Interactive GUI for Digital Power.....	60	Fault Sharing.....	101
PMBus Communication and Command Processing .....	60	Fault Sharing Propagation .....	101
Thermal Considerations and Output Current Derating ..	62	FAULT <sub>n</sub> Propagate Fault Configuration .....	102
Table 10 thru Table 11: Output Current Derating.....	65	Fault Sharing Response .....	103
0.9V Output .....	65	Scratchpad.....	103
1.8V Output.....	65	Identification.....	104
Channel Output Voltage vs Component Selection,		Fault Warning and Status.....	105
0A to 12.5A/μs Load Step Output Capacitor-		Telemetry .....	111
GRM32ER60G337ME05L, 330μF, 4V, X5R, Murata ....	66	NVM Memory Commands .....	115
Channel Output Voltage vs Component Selection,		Store/Restore .....	115
0A to 12.5A/μs Load Step.....	67	Fault Logging .....	116
Dual Phase Single Output – Ceramic and Poscap		Fault Logging .....	117
Output Capacitors.....	67	Explanation of Position_Fault Values .....	119
<b>Applications Information-Derating Curves</b> .....	<b>68</b>	Block Memory Write/Read.....	120
EMI Performance .....	69	<b>Package Description</b> .....	<b>121</b>
Safety Considerations .....	69	LTM4678 BGA Pinout .....	121
Layout Checklist/Example .....	69	<b>Revision History</b> .....	<b>123</b>
<b>Typical Applications</b> .....	<b>71</b>	<b>Package Photograph</b> .....	<b>124</b>
<b>PMBus Command Details</b> .....	<b>76</b>	<b>Design Resources</b> .....	<b>124</b>
Addressing and Write Protect.....	76	<b>Related Parts</b> .....	<b>124</b>

# LTM4678

## ABSOLUTE MAXIMUM RATINGS

(Note 1)

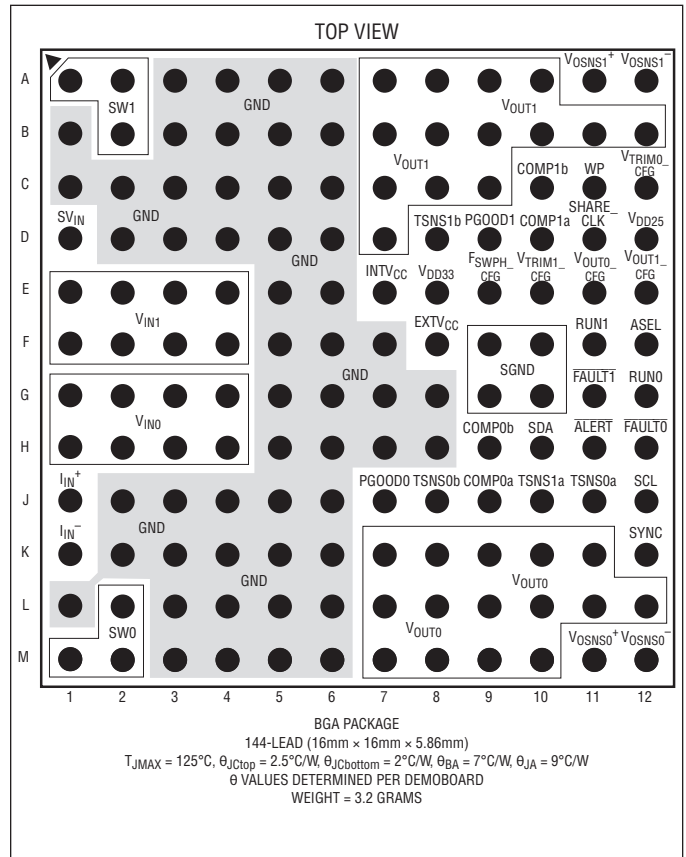
### Terminal Voltages:

$V_{INn}$ (Note 4), $SV_{IN}$ , $I_{IN}^+$ , $I_{IN}^-$ .....	-0.3V to 18V
$(SV_{IN} - I_{IN}^+)$ , $(I_{IN}^+ - I_{IN}^-)$ .....	-0.3V to 0.3V
SW0, SW1 .....	-1V to 18V, -5V to 18V Transient
$V_{OUTn}$ , $INTV_{CC}$ , $EXTV_{CC}$ .....	-0.3V to 6V
$V_{OSNS0}^+$ , $V_{OSNS1}^+$ .....	-0.3V to 6V
$V_{OSNS0}^-$ , $V_{OSNS1}^-$ .....	-0.3V to 0.3V
RUNn, SDA, SCL, ALERT .....	-0.3V to 5.5V
FSWPH_CFG, $V_{OUT0,1\_CFG}$ , VTRIM0,1_CFG, ASEL .....	-0.3V to 2.75V
FAULTn, SYNC, SHARE_CLK, WP, PGOOD0, PGOOD1 .....	-0.3V to 3.6V
COMPna, COMPnb, .....	-0.3V to 2.7V
TSNS0a, TSNS1a .....	-0.3V to 2.2V
TSNS0b, TSNS1b .....	-0.3V to 0.8V

### Temperatures

Internal Operating Temperature Range (Notes 2, 13, 17, 18) .....	-40°C to 125°C
Storage Temperature Range .....	-55°C to 125°C
Peak Solder Reflow Package Body Temperature ...	245°C
(Not Recommended for Upside Down Reflow)	

## PIN CONFIGURATION



## ORDER INFORMATION

PART NUMBER	PAD OR BALL FINISH	PART MARKING*		PACKAGE TYPE	MSL RATING	TEMPERATURE RANGE (See Note 2)
		DEVICE	FINISH CODE			
LTM4678EY#PBF	SAC305 (RoHS)	LTM4678Y	e1	BGA	4	-40°C to 125°C
LTM4678IY#PBF		LTM4678Y				
LTM4678IY	SnPb (63/37)	LTM4678Y	e0			

Consult Marketing for parts specified with wider operating temperature ranges. \*Device temperature grade is indicated by a label on the shipping container. Pad or ball finish code is per IPC/JEDEC J-STD-609.

**ELECTRICAL CHARACTERISTICS** The ● denotes the specifications which apply over the specified internal operating temperature range (Note 2). n is specified as each individual output channel (Note 4).  $T_A = 25^\circ\text{C}$ ,  $V_{IN} = 12\text{V}$ ,  $\text{RUN}_n = 3.3\text{V}$ ,  $\text{EXTV}_{CC} = 0$ ,  $\text{FREQUENCY\_SWITCH} = 350\text{kHz}$  and  $V_{OUTn}$  commanded to 1.000V unless otherwise noted. Configured with factory-default EEPROM settings and per Test Circuit 1, unless otherwise noted.

SYMBOL	PARAMETER	CONDITIONS	MIN	TYP	MAX	UNITS
$V_{INn}, SV_{IN}$	Input DC Voltage	Test Circuit 1 Test Circuit 2; $V_{IN\_OFF} < V_{IN\_ON} = 4\text{V}$	● 5.75 ● 4.5		16 5.75	V V
$V_{OUTn}$	Range of Output Voltage Regulation	$V_{OUT0}$ Differentially Sensed on $V_{OSNS0+}/V_{OSNS0-}$ Pin-Pair; $V_{OUT1}$ Differentially Sensed on $V_{OSNS1+}/V_{OSNS1-}$ Pin-Pair; Commanded by Serial Bus or with Resistors Present at Start-Up on $V_{OUTn\_CFG}$ (Note 19)	● 0.5 ● 0.5		3.4 3.4	V V
$V_{OUTn(DC)}$	Output Voltage, Total Variation with Line and Load	(Note 5) Digital Servo Engaged ( $\text{MFR\_PWM\_MODE}_n[6] = 1\text{b}$ ) Digital Servo Disengaged ( $\text{MFR\_PWM\_MODE}_n[6] = 0\text{b}$ ) $V_{OUTn}$ Commanded to 1.000V, $V_{OUTn}$ Low Range ( $\text{MFR\_PWM\_MODE}_n[1] = 1\text{b}$ )	● 0.995 ● 0.985	1.000 1.000	1.005 1.015	V V
$V_{UVLO}$	Undervoltage Lockout Threshold, When $V_{IN} < 4.3\text{V}$	$V_{INTVCC}$ Falling $V_{INTVCC}$ Rising		3.55 3.90		V V

#### Input Specifications

$I_{INRUSH(VIN)}$	Input Inrush Current at Start-Up	Test Circuit 1, $V_{OUTn} = 1\text{V}$ , $V_{IN} = 12\text{V}$ ; No Load Besides Capacitors; $\text{TON\_RISE}_n = 3\text{ms}$		400		mA
$I_Q(SVIN)$	Input Supply Bias Current	Forced Continuous Mode, $\text{MFR\_PWM\_MODE}_n[0] = 1\text{b}$ $\text{RUN}_n = 3.3\text{V}$ Shutdown, $\text{RUN}_0 = \text{RUN}_1 = 0\text{V}$ (Note 16)		25 23		mA mA
$I_S(VINn,PSM)$	Input Supply Current in Pulse-Skipping Mode Operation	Pulse-Skipping Mode, $\text{MFR\_PWM\_MODE}_n[0] = 0\text{b}$ , $I_{OUTn} = 100\text{mA}$		20		mA
$I_S(VINn,FCM)$	Input Supply Current in Forced-Continuous Mode Operation	Forced Continuous Mode, $\text{MFR\_PWM\_MODE}_n[0] = 1\text{b}$ $I_{OUTn} = 100\text{mA}$ $I_{OUTn} = 25\text{A}$		50 2.4		mA A

#### Output Specifications

$I_{OUTn}$	Output Continuous Current Range	(Note 6) Utilizing $\text{MFR\_PWM\_MODE}[7] = 1$ and Using $\sim I_{OUT} = 36\text{A}$ for $\text{IOUT\_OC\_FAULT\_LIMIT}$ , Page 89		0	25	A
$\frac{\Delta V_{OUTn(LINE)}}{V_{OUTn}}$	Line Regulation Accuracy	Digital Servo Engaged ( $\text{MFR\_PWM\_MODE}_n[6] = 1\text{b}$ ) Digital Servo Disengaged ( $\text{MFR\_PWM\_MODE}_n[6] = 0\text{b}$ ) $SV_{IN}$ and $V_{INn}$ Electrically Shorted Together and $\text{INTV}_{CC}$ Open Circuit; $I_{OUTn} = 0\text{A}$ , $5.75\text{V} \leq V_{IN} \leq 16\text{V}$ , $V_{OUT}$ Low Range ( $\text{MFR\_PWM\_MODE}_n[1] = 1\text{b}$ ), $\text{FREQUENCY\_SWITCH} = 350\text{kHz}$ (Note 5)	●	0.03 0.03	$\pm 0.2$	%/V %/V
$\frac{\Delta V_{OUTn(LOAD)}}{V_{OUTn}}$	Load Regulation Accuracy	Digital Servo Engaged ( $\text{MFR\_PWM\_MODE}_n[6] = 1\text{b}$ ) Digital Servo Disengaged ( $\text{MFR\_PWM\_MODE}_n[6] = 0\text{b}$ ) $0\text{A} \leq I_{OUTn} \leq 25\text{A}$ , $V_{OUT}$ Low Range, ( $\text{MFR\_PWM\_MODE}_n[1] = 1\text{b}$ ) (Note 5)	●	0.03 0.2	0.5	% %
$V_{OUTn(AC)}$	Output Voltage Ripple			10		mV <sub>p-p</sub>
$f_S$ (Each Channel)	$V_{OUTn}$ Ripple Frequency	$\text{FREQUENCY\_SWITCH}$ Set to 350kHz (0xFABC)	●	325	350 375	kHz
$\Delta V_{OUTn(START)}$	Turn-On Overshoot	$\text{TON\_RISE}_n = 3\text{ms}$ (Note 12)		8		mV
$t_{START}$	Turn-On Start-Up Time	Time from $V_{IN}$ Toggling from 0V to 12V to Rising Edge $\text{PGOOD}_n$ . $\text{TON\_DELAY}_n = 0\text{ms}$ , $\text{TON\_RISE}_n = 3\text{ms}$	●	30		ms
$t_{DELAY(0ms)}$	Turn-On Delay Time	Time from First Rising Edge of $\text{RUN}_n$ to Rising Edge of $\text{PGOOD}_n$ . $\text{TON\_DELAY}_n = 0\text{ms}$ , $\text{TON\_RISE}_n = 3\text{ms}$ , $V_{IN}$ Having Been Established for at Least 70ms	●	2.95	3.3 3.7	ms
$\Delta V_{OUTn(LS)}$	Peak Output Voltage Deviation for Dynamic Load Step	Load: 0A to 12.5A and 12.5A to 0A at 12.5A/ $\mu\text{s}$ , $V_{OUTn} = 1\text{V}$ , $V_{IN} = 12\text{V}$ (Note 12) See Load Transient Graphs		50		mV

**ELECTRICAL CHARACTERISTICS** The ● denotes the specifications which apply over the specified internal operating temperature range (Note 2). n is specified as each individual output channel (Note 4).  $T_A = 25^\circ\text{C}$ ,  $V_{IN} = 12\text{V}$ ,  $\text{RUN}_n = 3.3\text{V}$ ,  $\text{EXTV}_{\text{CC}} = 0$ ,  $\text{FREQUENCY\_SWITCH} = 350\text{kHz}$  and  $V_{\text{OUT}_n}$  commanded to 1.000V unless otherwise noted. Configured with factory-default EEPROM settings and per Test Circuit 1, unless otherwise noted.

SYMBOL	PARAMETER	CONDITIONS	MIN	TYP	MAX	UNITS
$t_{\text{SETTLE}}$	Settling Time for Dynamic Load Step	Load: 0A to 12.5A and 12.5A to 0A at 12.5A/ $\mu\text{s}$ , $V_{\text{OUT}_n} = 1\text{V}$ , $V_{\text{IN}} = 12\text{V}$ (Note 12) See Load Transient Graphs		25		$\mu\text{s}$
$I_{\text{OUT}_n(\text{OCL\_AVG})}$	Output Current Limit, Time Averaged	Time-Averaged Output Inductor Current Limit Inception Threshold, Commanded by $I_{\text{OUT\_OC\_FAULT\_LIMIT}_n}$ (Note 12) Utilizing $\text{MFR\_PWM\_MODE}[7] = 1$ , Using $\sim I_{\text{OUT}} = 36\text{A}$ , Page 89		30A; See $I_{\text{O-RB-ACC}}$ Specification (Output Current Readback Accuracy)		

### Control Section

$V_{\text{FBM}0}$	Channel 0 Feedback Input Common Mode Range	$V_{\text{OSNS}0^-}$ Valid Input Range (Referred to SGND) $V_{\text{OSNS}0^+}$ Valid Input Range (Referred to SGND)	●	-0.1	0.3	V
$V_{\text{FBM}1}$	Channel 1 Feedback Input Common Mode Range	$V_{\text{OSNS}1^-}$ Valid Input Range (Referred to SGND) $V_{\text{OSNS}1^+}$ Valid Input Range (Referred to SGND)	●	-0.1	0.3	V
$V_{\text{OUT-RNGL}}$	Full-Scale Command Voltage, Range Low (0.5V to 2.75V) Set Point Accuracy Resolution LSB Step Size	$V_{\text{OUT}_n}$ Commanded to 2.75V, $\text{MFR\_PWM\_MODE}[1] = 1\text{b}$ (Note 15)		2.75		V
				-0.5	-0.5	%
				12		Bits
				0.688		mV
$V_{\text{OUT-RNGH}}$	Full-Scale Command Voltage, Range High (0.5V to 3.6V) Set Point Accuracy Resolution LSB Step Size	$V_{\text{OUT}_n}$ Commanded to 3.6V, $\text{MFR\_PWM\_MODE}[1] = 0\text{b}$ (Notes 7, 15)		3.6		V
				-0.5	0.5	%
				12		Bits
				1.375		mV
$R_{\text{VNS}0^+}$	$V_{\text{OSNS}0^+}$ Impedance to SGND	$0.05\text{V} \leq V_{\text{OSNS}0^+} - V_{\text{SGND}} \leq 3.3\text{V}$		50		k $\Omega$
$R_{\text{VNS}1^+}$	$V_{\text{OSNS}1^+}$ Impedance to SGND	$0.05\text{V} \leq V_{\text{OSNS}1^+} - V_{\text{SGND}} \leq 3.3\text{V}$		50		k $\Omega$
$t_{\text{ON}(\text{MIN})}$	Minimum On-Time	(Note 8)		60		ns
$R_{\text{COMP}0,1}$	Resolution Compensation Resistor $R_{\text{TH}(\text{MAX})}$ Compensation Resistor $R_{\text{TH}(\text{MIN})}$	$\text{MFR\_PWM\_CONFIG}[4:0] = 0$ to 31 (See Figure 1, Note Section) (Note 15)		5		Bits
				62		k $\Omega$
				0		k $\Omega$
$g_{m0,1}$	Resolution Error Amplifier $g_{m(\text{MAX})}$ Error Amplifier $g_{m(\text{MIN})}$ LSB Step Size	$\text{COMP}0,1 = 1.35\text{V}$ , $\text{MFR\_PWM\_CONFIG}[7:5] = 0$ to 7 (Note 15)		3		Bits
				5.76		mmho
				1		mmho
				0.68		mmho

### Analog OV/UV (Overvoltage/Undervoltage) Output Voltage Supervisor Comparators ( $V_{\text{OUT\_OV/UV\_FAULT\_LIMIT}}$ and $V_{\text{OUT\_OV/UV\_WARN\_LIMIT}}$ Monitors)

$N_{\text{OV/UV\_COMP}}$	Resolution, Output Voltage Supervisors	(Notes 14, 15)		9		Bits
$V_{\text{OV-RNG}}$	Output OV Comparator Threshold Detection Range	(Notes 14, 15) High Range Scale, $\text{MFR\_PWM\_MODE}[1] = 0\text{b}$ Low Range Scale, $\text{MFR\_PWM\_MODE}[1] = 1\text{b}$		1	3.6	V
				0.5	2.7	V
$V_{\text{OUSTP}}$	Output OV and UV Comparator Threshold Programming LSB Step Size	(Note 15) High Range Scale, $\text{MFR\_PWM\_MODE}[1] = 0\text{b}$ Low Range Scale, $\text{MFR\_PWM\_MODE}[1] = 1\text{b}$		11.2		mV
				5.6		mV
$V_{\text{OV-ACC-0,1}}$	Output OV Comparator Threshold Accuracy Channel 0 and 1	(See Note 14) $1\text{V} \leq V_{\text{OSNS}_n^+} - V_{\text{OSNS}_n^-} \leq 2.7\text{V}$ , $\text{MFR\_PWM\_MODE}[1] = 1\text{b}$ $0.5\text{V} \leq V_{\text{OSNS}_n^+} - V_{\text{OSNS}_n^-} \leq 1\text{V}$ , $\text{MFR\_PWM\_MODE}[1] = 1\text{b}$ $2.0\text{V} \leq V_{\text{OSNS}_n^+} - V_{\text{OSNS}_n^-} \leq 3.6\text{V}$ , $\text{MFR\_PWM\_MODE}[1] = 0\text{b}$	● ● ●		$\pm 1.5$ $\pm 40$ $\pm 1.5$	% mV %
$V_{\text{UV-RNG}}$	Output UV Comparator Threshold Detection Range	(Note 15) High Range Scale, $\text{MFR\_PWM\_MODE}[1] = 0\text{b}$ Low Range Scale, $\text{MFR\_PWM\_MODE}[1] = 1\text{b}$		1	3.6	V
				0.5	2.7	V

**ELECTRICAL CHARACTERISTICS** The ● denotes the specifications which apply over the specified internal operating temperature range (Note 2). n is specified as each individual output channel (Note 4).  $T_A = 25^\circ\text{C}$ ,  $V_{IN} = 12\text{V}$ ,  $\text{RUN}_n = 3.3\text{V}$ ,  $\text{EXTV}_{CC} = 0$ ,  $\text{FREQUENCY\_SWITCH} = 350\text{kHz}$  and  $V_{OUTn}$  commanded to 1.000V unless otherwise noted. Configured with factory-default EEPROM settings and per Test Circuit 1, unless otherwise noted.

SYMBOL	PARAMETER	CONDITIONS	MIN	TYP	MAX	UNITS
$V_{UV-ACC}$	Output UV Comparator Threshold Accuracy	(See Note 14) $1\text{V} \leq V_{VOSNSn^+} - V_{VOSNSn^-} \leq 2.7\text{V}$ , $\text{MFR\_PWM\_MODE}[1] = 1b$ ● $0.5\text{V} \leq V_{VOSNSn^+} - V_{VOSNSn^-} \leq 1\text{V}$ , $\text{MFR\_PWM\_MODE}[1] = 1b$ ● $2.0\text{V} \leq V_{VOSNSn^+} - V_{VOSNSn^-} \leq 3.6\text{V}$ , $\text{MFR\_PWM\_MODE}[1] = 0b$ ●			±1.5 ±4.0 ±1.5	% mV %
$t_{PROP-OV}$	Output OV Comparator Response Times	Overdrive to 10% Above Programmed Threshold			100	μs
$t_{PROP-UV}$	Output UV Comparator Response Times	Under Drive to 10% Below Programmed Threshold			100	μs

#### Analog OV/UV $SV_{IN}$ Input Voltage Supervisor Comparators (Threshold Detectors for $V_{IN\_ON}$ and $V_{IN\_OFF}$ )

$N_{SVIN-OV/UV-COMP}$	$SV_{IN}$ OV/UV Comparator Threshold-Programming Resolution	(Note 15)		9		Bits
$SV_{IN-OU-RANGE}$	$SV_{IN}$ OV/UV Comparator Threshold-Programming Range		●	4.5	16	V
$SV_{IN-OU-STP}$	$SV_{IN}$ OV/UV Comparator Threshold-Programming LSB Step Size	(Note 15)		76		mV
$SV_{IN-OU-ACC}$	$SV_{IN}$ OV/UV Comparator Threshold Accuracy	$4.5\text{V} \leq SV_{IN} \leq 16\text{V}$	●		±350	mV
$t_{PROP-SVIN-HIGH-VIN}$	$SV_{IN}$ OV/UV Comparator Response Time, High $V_{IN}$ Operating Configuration	Test Circuit 1, and: $V_{IN\_ON} = 9\text{V}$ ; $SV_{IN}$ Driven from 8.775V to 9.225V $V_{IN\_OFF} = 9\text{V}$ ; $SV_{IN}$ Driven from 9.225V to 8.775V	● ●		100 100	μs μs
$t_{PROP-SVIN-LOW-VIN}$	$SV_{IN}$ OV/UV Comparator Response Time, Low $V_{IN}$ Operating Configuration	Test Circuit 2, and: $V_{IN\_ON} = 4.5\text{V}$ ; $SV_{IN}$ Driven from 4.225V to 4.725V $V_{IN\_OFF} = 4.5\text{V}$ ; $SV_{IN}$ Driven from 4.725V to 4.225V	● ●		100 100	μs μs

#### Channels 0 and 1 Output Voltage Readback ( $READ\_VOUTn$ )

$N_{VO-RB}$	Output Voltage Readback Resolution and LSB Step Size	(Note 15)		16 244		Bits μV
$V_{O-F/S}$	Output Voltage Full-Scale Digitizable Range	$V_{RUNn} = 0\text{V}$ (Note 15)		8		V
$V_{O-RB-ACC}$	Output Voltage Readback Accuracy	Channel 0, 1: $1\text{V} \leq V_{VOSNS^+} - V_{VOSNS^-} \leq 3.6\text{V}$ Channel 0, 1: $0.5\text{V} \leq V_{VOSNS^+} - V_{VOSNS^-} < 1\text{V}$	● ●			Within ±0.5% of Reading Within ±5mV of Reading
$t_{CONVERT-VO-RB}$	Output Voltage Readback Update Rate	$\text{MFR\_ADC\_CONTROL} = 0x00$ (Notes 9, 15) $\text{MFR\_ADC\_CONTROL} = 0x01$ through $0x0C$ (Notes 9, 15) $\text{MFR\_ADC\_CONTROL}$ Section		90 8		ms ms ms

#### Input Voltage ( $SV_{IN}$ ) Readback ( $READ\_VIN$ )

$N_{SVIN-RB}$	Input Voltage Readback Resolution and LSB Step Size	(Notes 10, 15) Limited to Abs Max = 18V for LTM4678 Module		10 15.625		Bits mV
$SV_{IN-F/S}$	Input Voltage Full-Scale Digitizable Range	(Notes 11, 15)		43		V
$SV_{IN-RB-ACC}$	Input Voltage Readback Accuracy	$READ\_VIN$ , $4.5\text{V} \leq SV_{IN} \leq 16\text{V}$	●			Within ±2% of Reading
$t_{CONVERT-SVIN-RB}$	Input Voltage Readback Update Rate	$\text{MFR\_ADC\_CONTROL} = 0x00$ (Notes 9, 15) $\text{MFR\_ADC\_CONTROL} = 0x01$ (Notes 9, 15)		90 8		ms ms

#### Channels 0 and 1 Output Current ( $READ\_IOUTn$ )

$N_{IO-RB}$	Output Current Readback Resolution and LSB Step Size	(Notes 10, 12)		10 34.1		Bits mA
$I_{O-F/S}$	Output Current Full-Scale Digitizable Range	(Note 12) Utilizing $\text{MFR\_PWM\_MODE}[7] = 1$ , Using $IOUT\_OC\_FAULT\_LIMIT = 34\text{A}$ , Page 89		40		A

**ELECTRICAL CHARACTERISTICS** The ● denotes the specifications which apply over the specified internal operating temperature range (Note 2). n is specified as each individual output channel (Note 4).  $T_A = 25^\circ\text{C}$ ,  $V_{IN} = 12\text{V}$ ,  $\text{RUN}_n = 3.3\text{V}$ ,  $\text{EXTV}_{CC} = 0$ ,  $\text{FREQUENCY\_SWITCH} = 350\text{kHz}$  and  $V_{OUTn}$  commanded to 1.000V unless otherwise noted. Configured with factory-default EEPROM settings and per Test Circuit 1, unless otherwise noted.

SYMBOL	PARAMETER	CONDITIONS	MIN	TYP	MAX	UNITS
$I_{O-RB-ACC}$	Output Current, Readback Accuracy	$\text{READ\_IOUT}_n$ , Channels 0 and 1, $0 \leq I_{OUTn} \leq 25\text{A}$ , (Note 12), $-20^\circ\text{C}$ to $125^\circ\text{C}$ Forced-Continuous Mode, $\text{MFR\_PWM\_MODE}_n[1:0] = 1\text{b}$ , $-40^\circ\text{C}$ to $125^\circ\text{C}$	●	Within $\pm 0.875\text{A}$ of Reading Within $\pm 1.50\text{A}$ of Reading		
$I_{O-RB(25A)}$	Full Load Output Current Readback	$I_{OUTn} = 25\text{A}$ (Note 12). See Histograms in Typical Performance Characteristics (Note 12)		25		A
$t_{\text{CONVERT-IO-RB}}$	Output Current Readback Update Rate	$\text{MFR\_ADC\_CONTROL} = 0\text{x}00$ (Notes 9, 15) $\text{MFR\_ADC\_CONTROL} = 0\text{x}06$ (CH0 $I_{OUT}$ ) or $0\text{x}01$ (CH1 $I_{OUT}$ ) (Notes 9, 15) See $\text{MFR\_ADC\_CONTROL}$ Section		90 8		ms ms

#### Input Current Readback

N	Resolution	(Note 10)		10		Bits
$V_{IINSTP}$	LSB Step Size Full-Scale Range = 16mV LSB Step Size Full-Scale Range = 32mV LSB Step Size Full-Scale Range = 64mV	Gain = 8, $0\text{V} \leq  V_{IIN}^+ - V_{IIN}^-  \leq 5\text{mV}$ Gain = 4, $0\text{V} \leq  V_{IIN}^+ - V_{IIN}^-  \leq 20\text{mV}$ Gain = 2, $0\text{V} \leq  V_{IIN}^+ - V_{IIN}^-  \leq 50\text{mV}$ (Note 15)		15.26 30.52 61		$\mu\text{V}$ $\mu\text{V}$ $\mu\text{V}$
$I_{IN\_TUE}$	Total Unadjusted Error	Gain = 8, $2.5\text{mV} \leq  V_{IIN}^+ - V_{IIN}^- $ Gain = 4, $4\text{mV} \leq  V_{IIN}^+ - V_{IIN}^- $ Gain = 2, $6\text{mV} \leq  V_{IIN}^+ - V_{IIN}^- $	● ● ●		$\pm 2$ $\pm 1.3$ $\pm 1.2$	% % %
$V_{OS}$	Zero-Code Offset Voltage	(Note 15)			$\pm 50$	$\mu\text{V}$
$t_{\text{CONVERT}}$	Update Rate	(Notes 9,15) See $\text{MFR\_ADC\_CONTROL}$ Section for Faster Update Rates		90		ms

#### Supply Current Readback

N	Resolution	(Note 10)		10		Bits
$V_{ICHIPSTP}$	LSB Step Size Full-Scale Range = 256mV	Onboard $1\Omega$ Resistor (Note 15)		244		$\mu\text{V}$
$I_{CHIP-RB}$	$I_{CHIP}$ Readback	$SV_{IN}$ Current		$\pm 50$		mA
$t_{\text{CONVERT}}$	Update Rate	(Notes 9,15) See $\text{MFR\_ADC\_CONTROL}$ Section for Faster Update Rates		90		ms

#### Temperature Readback (T0, T1)

$T_{RES-RB}$	Temperature Readback Resolution	Channel 0, Channel 1, and Controller (Note 15)		0.25		$^\circ\text{C}$
$T0\_TUE$	External Temperature Total Unadjusted Readback Error	Supporting Only $\Delta V_{BE}$ Sensing		$\pm 5$		$^\circ\text{C}$ $^\circ\text{C}$
$T1\_TUE$	Internal TSNS TUE	$V_{RUN0,1} = 0.0$ , $f_{\text{SYNC}} = 0\text{kHz}$ (Note 15)	●	$\pm 1$		$^\circ\text{C}$
$t_{\text{CONVERT}}$	Update Rate	(Note 9) $\text{MFR\_ADC\_CONTROL} = 0\text{x}04$ or $0\text{x}0\text{C}$ (Notes 9, 15)		90 8		ms ms

#### INTV<sub>CC</sub> Regulator/EXTV<sub>CC</sub>

$V_{INTVCC}$	Internal $V_{CC}$ Voltage No Load	$6\text{V} \leq V_{IN} \leq 16\text{V}$	●	5.25	5.5	5.75	V
$V_{LDO\_INT}$	INTV <sub>CC</sub> Load Regulation	$I_{CC} = 0\text{mA}$ to $20\text{mA}$ , $6\text{V} \leq V_{IN} \leq 16\text{V}$		0.5	$\pm 2$		%
$V_{EXTVCC}$	EXTV <sub>CC</sub> Switchover Voltage	$V_{IN} \geq 7\text{V}$ , EXTV <sub>CC</sub> Rising	●	4.5	4.7	4.95	V
$V_{LDO\_HYS}$	EXTV <sub>CC</sub> Hysteresis			290			mV
$V_{LDO\_EXT}$	EXTV <sub>CC</sub> Voltage Drop	$I_{CC} = 20\text{mA}$ , $V_{EXTVCC} = 5.5\text{V}$		80	120		mV



**ELECTRICAL CHARACTERISTICS** The ● denotes the specifications which apply over the specified internal operating temperature range (Note 2). n is specified as each individual output channel (Note 4).  $T_A = 25^\circ\text{C}$ ,  $V_{IN} = 12\text{V}$ ,  $\text{RUN}n = 3.3\text{V}$ ,  $\text{EXTV}_{CC} = 0$ ,  $\text{FREQUENCY\_SWITCH} = 350\text{kHz}$  and  $V_{OUTn}$  commanded to 1.000V unless otherwise noted. Configured with factory-default EEPROM settings and per Test Circuit 1, unless otherwise noted.

SYMBOL	PARAMETER	CONDITIONS	MIN	TYP	MAX	UNITS
$V_{IN\_THR}$	$V_{IN}$ Threshold to Enable $\text{EXTV}_{CC}$ Switchover	$V_{IN}$ Rising		7	7.5	V
$V_{IN\_THF}$	$V_{IN}$ Hysteresis to Disable $\text{EXTV}_{CC}$ Switchover	$V_{IN}$ Falling		600		mV

**V<sub>DD33</sub> Regulator**

$V_{VDD33}$	Internal $V_{DD33}$ Voltage	$4.5\text{V} < V_{INTVCC}$ or $4.8\text{V} < V_{EXTVCC}$		3.2	3.3	3.4	V
$I_{LIM}$	$V_{DD33}$ Current Limit	$V_{DD33} = \text{GND}$		100			mA
$V_{VDD33\_OV}$	$V_{DD33}$ Overvoltage Threshold	(Note 15)		3.5			V
$V_{VDD33\_UV}$	$V_{DD33}$ Undervoltage Threshold	(Note 15)		3.1			V

**V<sub>DD25</sub> Regulator**

$V_{VDD25}$	Internal $V_{DD25}$ Voltage			2.5			V
$I_{LIM}$	$V_{DD25}$ Current Limit	$V_{DD25} = \text{GND}$		80			mA

**Oscillator and Phase-Locked Loop (PLL)**

$f_{\text{RANGE}}$	PLL SYNC Range	Synchronized with Falling Edge of SYNC	●	300	1000		kHz
$f_{\text{OSC}}$	Oscillator Frequency Accuracy	Frequency Switch = 350.0kHz to 1000.0kHz (Note 15)			$\pm 7.5$		%
$V_{\text{TH(SYNC)}}$	SYNC Input Threshold	$V_{\text{SYNC}}$ Falling $V_{\text{SYNC}}$ Rising (Note 15)		1	1.5		V
$V_{\text{OL(SYNC)}}$	SYNC Low Output Voltage	$I_{\text{LOAD}} = 3\text{mA}$		0.2	0.4		V
$I_{\text{LEAK(SYNC)}}$	SYNC Leakage Current in Slave Mode	$0\text{V} \leq V_{\text{PIN}} \leq 3.6\text{V}$			$\pm 5$		$\mu\text{A}$
$\theta_{\text{SYNC-}\theta 0}$	SYNC to Ch0 Phase Relationship Based on the Falling Edge of Sync and Rising Edge of TGO (Note 15)	$\text{MFR\_PWM\_CONFIG}[2:0] = 0,2,3$ $\text{MFR\_PWM\_CONFIG}[2:0] = 5$ $\text{MFR\_PWM\_CONFIG}[2:0] = 1$ $\text{MFR\_PWM\_CONFIG}[2:0] = 4,6$		0	60	90	Deg
$\theta_{\text{SYNC-}\theta 1}$	SYNC to Ch1 Phase Relationship Based on the Falling Edge of Sync and Rising Edge of TG1 (Note 15)	$\text{MFR\_PWM\_CONFIG}[2:0] = 3$ $\text{MFR\_PWM\_CONFIG}[2:0] = 0$ $\text{MFR\_PWM\_CONFIG}[2:0] = 2,4,5$ $\text{MFR\_PWM\_CONFIG}[2:0] = 1$ $\text{MFR\_PWM\_CONFIG}[2:0] = 6$		120	180	240	Deg
				270	300		Deg

**EEPROM Characteristics**

Endurance	(Notes 13 and 17)	$0^\circ\text{C} \leq T_J \leq 85^\circ\text{C}$ During EEPROM Write Operations	●	10,000			Cycles
Retention	(Notes 13 and 17)	$T_J < 125^\circ\text{C}$	●	10			Years
Mass_Write	Mass Write Operation Time (Notes 13 and 17)	$\text{STORE\_USER\_ALL}$ , $0^\circ\text{C} < T_J < 85^\circ\text{C}$ During EEPROM Write Operation		440	4100		ms

**Leakage Current SDA, SCL, ALERT, RUN**

$I_{\text{OL}}$	Input Leakage Current	$0\text{V} \leq V_{\text{PIN}} \leq 5.5\text{V}$	●		$\pm 5$		$\mu\text{A}$
-----------------	-----------------------	--	---	--	---------	--	---------------

**Leakage Current FAULTn, PGOODn**

$I_{\text{GL}}$	Input Leakage Current	$0\text{V} \leq V_{\text{PIN}} \leq 3.6\text{V}$	●		$\pm 2$		$\mu\text{A}$
-----------------	-----------------------	--	---	--	---------	--	---------------

**Digital Inputs SCL, SDA, RUNn, GPIOn (Note 15)**

$V_{\text{IH}}$	Input High Threshold Voltage		●		1.35		V
$V_{\text{IL}}$	Input Low Threshold Voltage		●	0.8			V
$V_{\text{HYST}}$	Input Hysteresis	SCL, SDA		0.08			V
$C_{\text{PIN}}$	Input Capacitance				10		pF

**ELECTRICAL CHARACTERISTICS** The ● denotes the specifications which apply over the specified internal operating temperature range (Note 2). n is specified as each individual output channel (Note 4).  $T_A = 25^\circ\text{C}$ ,  $V_{IN} = 12\text{V}$ ,  $\text{RUN}_n = 3.3\text{V}$ ,  $\text{EXTV}_{CC} = 0$ ,  $\text{FREQUENCY\_SWITCH} = 575\text{kHz}$  and  $V_{OUTn}$  commanded to 1.000V unless otherwise noted. Configured with factory-default EEPROM settings and per Test Circuit 1, unless otherwise noted.

SYMBOL	PARAMETER	CONDITIONS	MIN	TYP	MAX	UNITS
<b>Digital Input WP (Note 15)</b>						
$I_{PUWP}$	Input Pull-Up Current	WP		10		$\mu\text{A}$
<b>Open-Drain Outputs SCL, SDA, FAULT<sub>n</sub>, ALERT, RUN<sub>n</sub>, SHARE_CLK, PGOOD<sub>n</sub> (Note 15)</b>						
$V_{OL}$	Output Low Voltage	$I_{SINK} = 3\text{mA}$			0.4	V
<b>Digital Inputs SHARE_CLK, WP (Note 15)</b>						
$V_{IH}$	Input High Threshold Voltage		●	1.5	1.8	V
$V_{IL}$	Input Low Threshold Voltage		●	0.6	1	V
<b>Digital Filtering of FAULT<sub>n</sub> (Note 15)</b>						
$t_{FLTG}$	Input Digital Filtering FAULT <sub>n</sub>			3		$\mu\text{s}$
<b>Digital Filtering of PGOOD<sub>n</sub> (Note 15)</b>						
$t_{FLTG}$	Output Digital Filtering PGOOD <sub>n</sub>			60		$\mu\text{s}$
<b>Digital Filtering of RUN<sub>n</sub> (Note 15)</b>						
$t_{FLTG}$	Input Digital Filtering RUN			10		$\mu\text{s}$
<b>PMBus Interface Timing Characteristics (Note 15)</b>						
$f_{SCL}$	Serial Bus Operating Frequency		●	10	400	kHz
$t_{BUF}$	Bus Free Time Between Stop and Start		●	1.3		$\mu\text{s}$
$t_{HD(STA)}$	Hold Time After Repeated Start Condition After This Period, the First Clock is Generated		●	0.6		$\mu\text{s}$
$t_{SU(STA)}$	Repeated Start Condition Setup Time		●	0.6	10000	$\mu\text{s}$
$t_{SU(STO)}$	Stop Condition Setup Time		●	0.6		$\mu\text{s}$
$t_{HD(DAT)}$	Date Hold Time Receiving Data Transmitting Data		● ●	0 0.3	0.9	$\mu\text{s}$ $\mu\text{s}$
$t_{SU(DAT)}$	Data Setup Time Receiving Data			0.1		$\mu\text{s}$
$t_{TIMEOUT\_SMB}$	Stuck PMBus Timer Non-Block Reads Stuck PMBus Timer Block Reads	Measured from the Last PMBus Start Event		32 255		ms
$t_{LOW}$	Serial Clock Low Period		●	1.3	10000	$\mu\text{s}$
$t_{HIGH}$	Serial Clock High Period		●	0.6		$\mu\text{s}$

**Note 1:** Stresses beyond those listed under Absolute Maximum Ratings may cause permanent damage to the device. Exposure to any Absolute Maximum Rating condition for extended periods may affect device reliability and lifetime.

**Note 2:** The LTM4678 is tested under pulsed-load conditions such that  $T_J \approx T_A$ . The LTM4678E is guaranteed to meet performance specifications over the  $0^\circ\text{C}$  to  $125^\circ\text{C}$  internal operating temperature range. Specifications over the  $-40^\circ\text{C}$  to  $125^\circ\text{C}$  internal operating temperature range are assured by design, characterization and correlation with statistical process controls. The LTM4678I is guaranteed to meet specifications over the full  $-40^\circ\text{C}$  to  $125^\circ\text{C}$  internal operating temperature range.  $T_J$  is calculated from

the ambient temperature  $T_A$  and the power dissipation  $P_D$  according to the formula:

$$T_J = T_A + (P_D \cdot \theta_{JA})$$

Note that the maximum ambient temperature consistent with these specifications is determined by specific operating conditions in conjunction with board layout, the rated package thermal resistance and other environmental factors.

**Note 3:** All currents into device pins are positive; all currents out of device pins are negative. All voltages are referenced to ground unless otherwise specified

## ELECTRICAL CHARACTERISTICS

**Note 4:** The two power inputs— $V_{IN0}$  and  $V_{IN1}$ —and their respective power outputs— $V_{OUT0}$  and  $V_{OUT1}$ —are tested independently in production. A shorthand notation is used in this document that allows these parameters to be referred to by “ $V_{INn}$ ” and “ $V_{OUTn}$ ”, where  $n$  is permitted to take on a value of 0 or 1. This italicized, subscripted “ $n$ ” notation and convention is extended to encompass all such pin names, as well as register names with channel-specific, i.e., paged data. For example,  $V_{OUT\_COMMANDn}$  refers to the  $V_{OUT\_COMMAND}$  command code data located in Pages 0 and 1, which in turn relate to channel 0 ( $V_{OUT0}$ ) and channel 1 ( $V_{OUT1}$ ). Registers containing non-page-specific data, i.e., whose data is “global” to the module or applies to both of the module’s channels lack the italicized, subscripted “ $n$ ”, e.g.,  $FREQUENCY\_SWITCH$ .

**Note 5:**  $V_{OUTn}$  (DC) and line and load regulation tests are performed in production with digital servo disengaged ( $MFR\_PWM\_MODEn[6] = 0b$ ) and low  $V_{OUTn}$  range selected  $MFR\_PWM\_MODEn[1] = 1b$ . The digital servo control loop is exercised in production (setting  $MFR\_PWM\_MODEn[6] = 1b$ ), but convergence of the output voltage to its final settling value is not necessarily observed in final test—due to potentially long time constants involved—and is instead guaranteed by the output voltage readback accuracy specification. Evaluation in application demonstrates capability; see the Typical Performance Characteristics section.

**Note 6:** See output current derating curves for different  $V_{IN}$ ,  $V_{OUT}$ , and  $T_A$ , located in the Applications Information section.

**Note 7:** Even though  $V_{OUT0}$  and  $V_{OUT1}$  are specified for 6V absolute maximum, the maximum recommended command voltage to regulate output channels 0 and 1 is 3.6V with  $V_{OUT}$  range-setting bit set using  $MFR\_PWM\_MODE[1] = 0b$ .

**Note 8:** Minimum on-time is tested at wafer sort.

**Note 9:** The data conversion is done by default in round robin fashion. All inputs signals are continuously converted for a typical latency of 90ms. Setting  $MFR\_ADC\_CONTRL$  value to be 0 to 12, LTM4678 can do fast data conversion with only 8ms to 10ms. See section PMBus Command for details.

**Note 10:** The following telemetry parameters are formatted in PMBus-defined “Linear Data Format”, in which each register contains a word comprised of 5 most significant bits—representing a signed exponent, to be raised to the power of 2—and 11 least significant bits—representing a signed mantissa: input voltage (on  $SV_{IN}$ ), accessed via the  $READ\_VIN$  command code; output currents ( $I_{OUTn}$ ), accessed via the  $READ\_IOUTn$  command codes; module input current ( $I_{VIN0} + I_{VIN1} + I_{SVIN}$ ), accessed via the  $READ\_IIN$  command code; channel input currents ( $I_{VINn} + 1/2 \cdot I_{SVIN}$ ), accessed via the  $MFR\_READ\_IINn$  command codes; and duty cycles of channel 0 and channel 1 switching power stages, accessed via the  $READ\_DUTY\_CYCLEn$  command codes. This data format limits the resolution of telemetry readback data to 10 bits even though the internal ADC is 16 bits and the LTM4678’s internal calculations use 32-bit words.

**Note 11:** The absolute maximum rating for the  $SV_{IN}$  pin is 18V. Input voltage telemetry ( $READ\_VIN$ ) is obtained by digitizing a voltage scaled down from the  $SV_{IN}$  pin.

**Note 12:** These typical parameters are based on bench measurements and are not production tested. Improved output current readback can be achieved by evaluating the system using the LTM4678. Measurements of the ambient temperature and the module inductor temperature for each channel with airflow can be compared with the GUI readback temperature. Once this temperature difference is known, then  $MFR\_TEMP\_1\_GAIN$  and

the  $MFR\_TEMP\_1\_OFFSET$  parameters can be adjusted to further improve output current readback accuracy.

**Note 13:** EEPROM endurance and retention are guaranteed by wafer-level testing for data retention. The minimum retention specification applies for devices whose EEPROM has been cycled less than the minimum endurance specification, and whose EEPROM data was written to at  $0^\circ\text{C} \leq T_J \leq 85^\circ\text{C}$ . The  $RESTORE\_USER\_ALL$  or  $MFR\_RESET$  is valid over the entire operating temperature range and does not influence EEPROM characteristics.

**Note 14:** Channel 0 OV/UV comparator threshold accuracy for  $MFR\_PWM\_MODEn[1] = 1b$  tested in ATE at  $V_{VOSNS0^+} - V_{VOSNS0^-} = 0.5\text{V}$  and 3.6V. 1V condition tested at IC-Level, only. Channel 1 OV/UV comparator threshold accuracy for  $MFR\_PWM\_MODEn[1] = 1b$  tested in ATE with  $V_{VOSNS1^+} - V_{VOSNS1^-} = 0.5\text{V}$  and 3.6V. 1.5V condition tested at IC-level, only.  $MFR\_PWM\_MODEn[1] = 1b$  is the Low Range.

**Note 15:** Tested at IC-level ATE.

**Note 16:** The LTM4678 quiescent current ( $I_Q$ ) equals the  $I_Q$  of  $V_{IN}$  plus the  $I_Q$  of  $INTV_{CC}$ .

**Note 17:** The LTM4678’s EEPROM temperature range for valid write commands is  $0^\circ\text{C}$  to  $85^\circ\text{C}$ . To achieve guaranteed EEPROM data retention, execution of the “ $STORE\_USER\_ALL$ ” command—i.e., uploading RAM contents to NVM—outside this temperature range is not recommended. However, as long as the LTM4678’s EEPROM temperature is less than  $130^\circ\text{C}$ , the LTM4678 will obey the  $STORE\_USER\_ALL$  command. Only when EEPROM temperature exceeds  $130^\circ\text{C}$ , the LTM4678 will not act on any  $STORE\_USER\_ALL$  transactions: instead, the LTM4678 NACKs the serial command and asserts its relevant CML (communications, memory, logic) fault bits. EEPROM temperature can be queried prior to commanding  $STORE\_USER\_ALL$ ; see the Applications Information section.

**Note 18:** The LTM4678 includes overtemperature protection that is intended to protect the device during momentary overload conditions. Junction temperature will exceed  $125^\circ\text{C}$  when overtemperature protection is active. Continuous operation above the specified maximum operating junction temperature may impair device reliability.

**Note 19:** The maximum programmable output voltage is 3.6V, therefore, any of the overvoltage margining commands will be limited as the output voltage is programmed up to 3.6V.

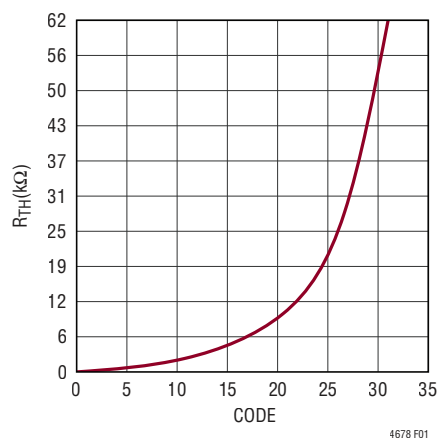
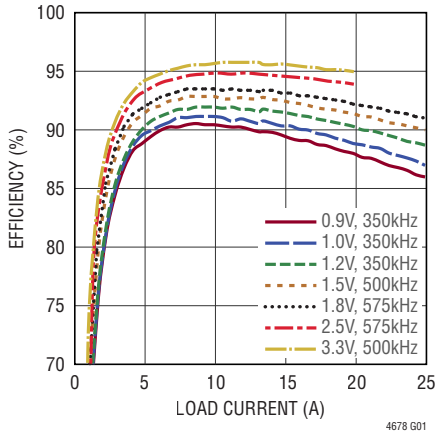


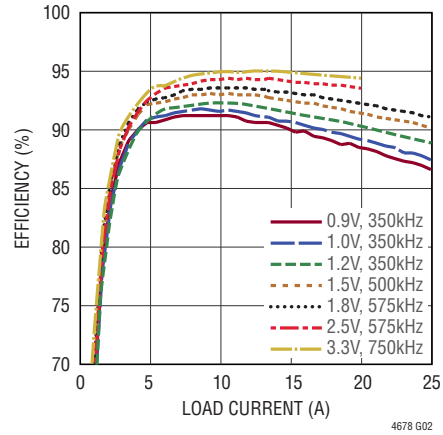
Figure 1. Programmable  $R_{COMP}$

**TYPICAL PERFORMANCE CHARACTERISTICS**  $T_A = 25^\circ\text{C}$ .

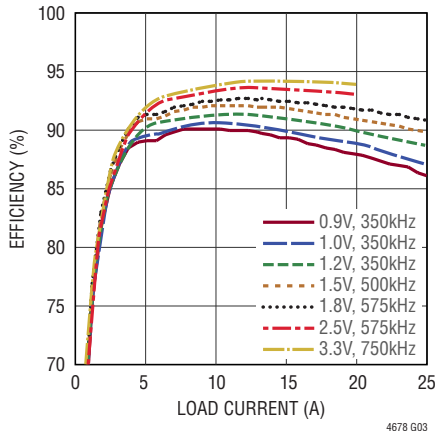
**Single Output Efficiency,  
5V<sub>IN</sub>, V<sub>IN</sub> = SV<sub>IN</sub> = EXT<sub>VCC</sub> = 5V  
CCM Mode**



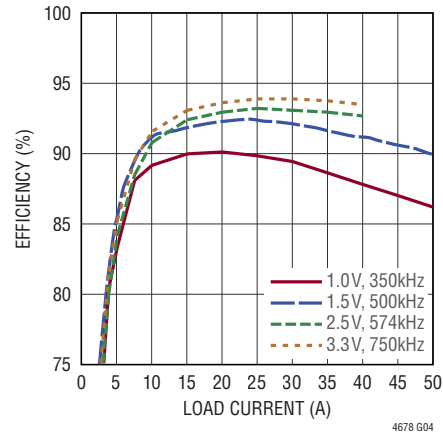
**Single Output Efficiency,  
8V<sub>IN</sub>, V<sub>IN</sub> = SV<sub>IN</sub> = 8V,  
EXT<sub>VCC</sub> = 5V, CCM Mode**



**Single Output Efficiency,  
V<sub>IN</sub> = SV<sub>IN</sub> = 12V, EXT<sub>VCC</sub> = 5V**



**Dual Phase Single Output  
Efficiency, 12V<sub>IN</sub>, V<sub>IN</sub> = SV<sub>IN</sub> = 12V,  
EXT<sub>VCC</sub> = 5V, V<sub>OUT0</sub> and V<sub>OUT1</sub>  
Paralleled CCM Mode**



**TYPICAL PERFORMANCE CHARACTERISTICS**  $T_A = 25^\circ\text{C}$ , unless otherwise noted.

**Single Channel Load Transient Response 50% to 100% Load Step, 12A/ $\mu\text{s}$  12V<sub>IN</sub> to 0.9V<sub>OUT</sub>**

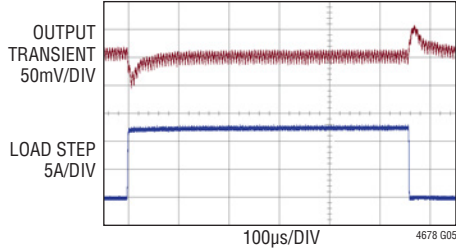


FIGURE 46 CIRCUIT, 12V TO 0.9V, FREQ = 350kHz  
 $C_{OUT} = 470\mu\text{F} \times 2$  POSCAP,  $100\mu\text{F} \times 2$  CERAMIC  
 $R_{COMP} = 11\text{k}\Omega$ , EA-GM = 3.69ms,  
 $COMP_{na} = 1500\text{pF}$   $COMP_{nb} = 150\text{pF}$   
 LOW  $V_{OUT}$  RANGE FOR  $V_{OUT} \leq 2.5\text{V}$   
 HIGH  $V_{OUT}$  RANGE FOR  $2.5\text{V} \leq V_{OUT}$   
 $I_{LIMIT}$  RANGE = HIGH

**Single Channel Load Transient Response 50% to 100% Load Step, 12A/ $\mu\text{s}$  12V<sub>IN</sub> to 1.2V<sub>OUT</sub>**

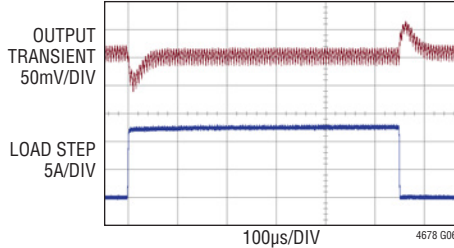


FIGURE 46 CIRCUIT, 12V TO 1.2V, FREQ = 350kHz  
 $C_{OUT} = 470\mu\text{F} \times 2$  POSCAP,  $100\mu\text{F} \times 2$  CERAMIC  
 $R_{COMP} = 7\text{k}\Omega$ , EA-GM = 3.62ms,  
 $COMP_{na} = 1500\text{pF}$   $COMP_{nb} = 150\text{pF}$   
 LOW  $V_{OUT}$  RANGE FOR  $V_{OUT} \leq 2.5\text{V}$   
 HIGH  $V_{OUT}$  RANGE FOR  $2.5\text{V} \leq V_{OUT}$   
 $I_{LIMIT}$  RANGE = HIGH

**Single Channel Load Transient Response 50% to 100% Load Step, 12A/ $\mu\text{s}$  12V<sub>IN</sub> to 1.5V<sub>OUT</sub>**

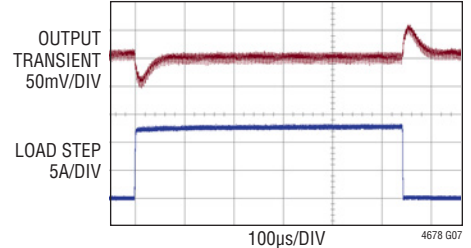


FIGURE 46 CIRCUIT, 12V TO 1.5V, FREQ = 500kHz  
 $C_{OUT} = 470\mu\text{F} \times 2$  POSCAP,  $100\mu\text{F} \times 2$  CERAMIC  
 $R_{COMP} = 7\text{k}\Omega$ , EA-GM = 3.62ms,  
 $COMP_{na} = 1500\text{pF}$   $COMP_{nb} = 150\text{pF}$   
 LOW  $V_{OUT}$  RANGE FOR  $V_{OUT} \leq 2.5\text{V}$   
 HIGH  $V_{OUT}$  RANGE FOR  $2.5\text{V} \leq V_{OUT}$   
 $I_{LIMIT}$  RANGE = HIGH

**Single Channel Load Transient Response 50% to 100% Load Step, 12A/ $\mu\text{s}$  12V<sub>IN</sub> to 1.8V<sub>OUT</sub>**

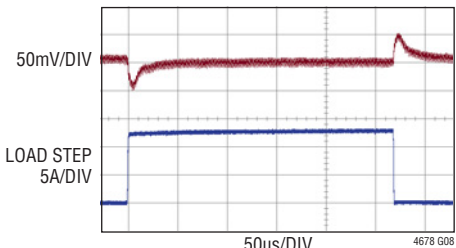


FIGURE 46 CIRCUIT, 12V TO 1.8V, FREQ = 575kHz  
 $C_{OUT} = 470\mu\text{F} \times 2$  POSCAP,  $100\mu\text{F} \times 2$  CERAMIC  
 $R_{COMP} = 11\text{k}\Omega$ , EA-GM = 1ms,  
 $COMP_{na} = 1500\text{pF}$   $COMP_{nb} = 150\text{pF}$

**Dual Output Concurrent Rail, Start-Up/Shut Down**

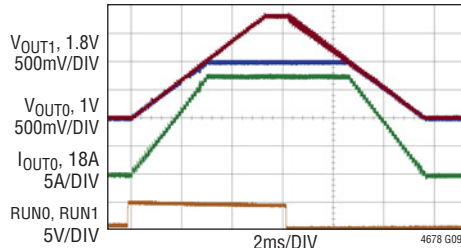


FIGURE 46 CIRCUIT, 12V<sub>IN</sub>, 18A LOAD  $V_{OUT0}$ , NO LOAD  $V_{OUT1}$   
 $TON\_RISE0 = 3\text{ms}$   $TON\_RISE1 = 5.297\text{ms}$   
 $TON\_DELAY0 = 2.43\text{ms}$   $TOFF\_DELAY1 = 0\text{ms}$   
 $TON\_FALL0 = 3\text{ms}$   $TON\_FALL1 = 5.328\text{ms}$   
 $ON\_OFF$  CONFIG = 0X1F

**Dual Output Concurrent Rail, Start-Up/Shut Down, Pre-Bias**

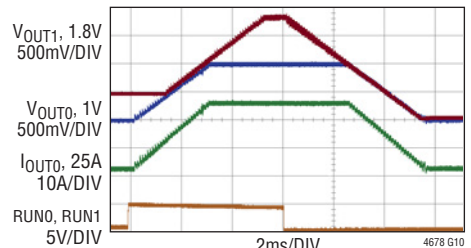


FIGURE 46 CIRCUIT, 12V<sub>IN</sub>, 25A LOAD  $V_{OUT0}$ , NO LOAD  $V_{OUT1}$ ,  $V_{OUT1}$  PRE-BIASED TO 500mV THROUGH A DIODE (PRE-BIAS DISCONNECTED AT SHUT-DOWN)  
 $TON\_RISE0 = 3\text{ms}$   $TON\_RISE1 = 5.297\text{ms}$   
 $TON\_DELAY0 = 2.43\text{ms}$   $TOFF\_DELAY1 = 0\text{ms}$   
 $TON\_FALL0 = 3\text{ms}$   $TON\_FALL1 = 5.328\text{ms}$   
 $ON\_OFF$  CONFIG = 0X1F

**Dual Output Concurrent Rail, Start-Up/Shut Down, Pre-Bias**

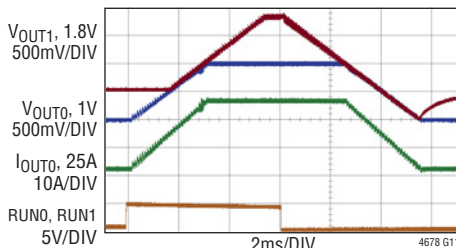


FIGURE 46 CIRCUIT, 12V<sub>IN</sub>, 25A LOAD  $V_{OUT0}$ , NO LOAD  $V_{OUT1}$ ,  $V_{OUT1}$  PRE-BIASED TO 500mV THROUGH A DIODE (PRE-BIAS DISCONNECTED AT SHUT-DOWN)  
 $TON\_RISE0 = 3\text{ms}$   $TON\_RISE1 = 5.297\text{ms}$   
 $TON\_DELAY0 = 2.43\text{ms}$   $TOFF\_DELAY1 = 0\text{ms}$   
 $TON\_FALL0 = 3\text{ms}$   $TON\_FALL1 = 5.328\text{ms}$   
 $ON\_OFF$  CONFIG = 0X1F

**Single Phase Single Output Short-Circuit Protection, No Load**

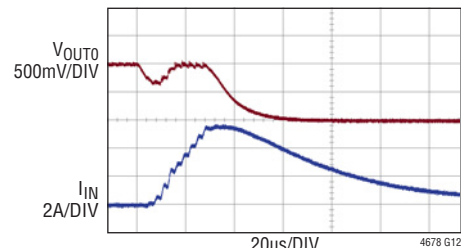


FIGURE 46 CIRCUIT, 12V<sub>IN</sub>, NO LOAD  $V_{OUT0}$ , PRIOR TO APPLICATION OF SHORT-CIRCUIT USE HIGH RANGE OF  $I_{LIMIT}$  SYSTEM SHORT-CIRCUIT USING 50N04-8M MOSFET ACROSS OUTPUT

**Single Phase Single Output Short-Circuit Protection, 18A Load**

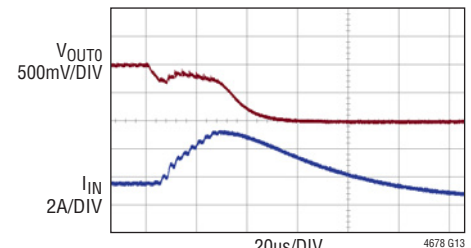
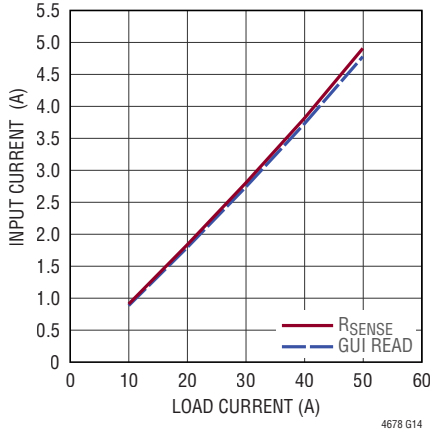


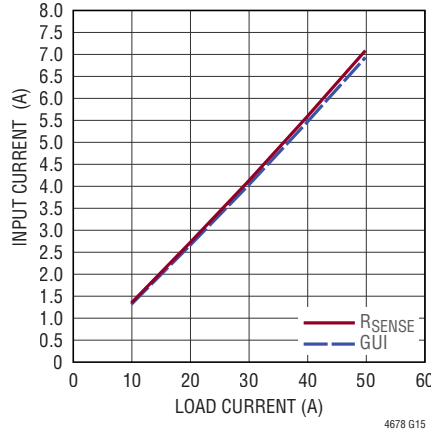
FIGURE 46 CIRCUIT, 12V<sub>IN</sub>, 18A LOAD  $V_{OUT0}$ , PRIOR TO APPLICATION OF SHORT-CIRCUIT USE HIGH RANGE OF  $I_{LIMIT}$  SYSTEM SHORT-CIRCUIT USING 50N04-8M MOSFET ACROSS OUTPUT

**TYPICAL PERFORMANCE CHARACTERISTICS**  $T_A = 25^\circ\text{C}$ ,  $12\text{V}_{\text{IN}}$  to  $1\text{V}_{\text{OUT}}$ , unless otherwise noted.

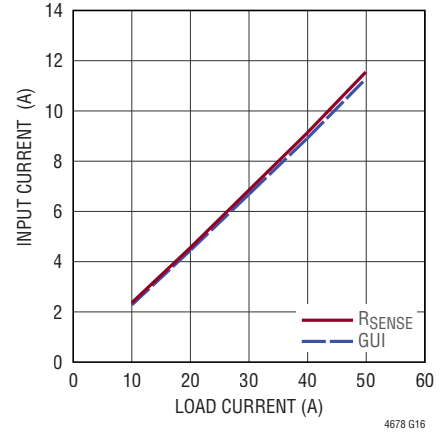
**Supply Current vs Load Current Comparison,  $R_{\text{SENSE}} = 4\text{m}\Omega$ ,  $12\text{V}$  to  $1.0\text{V}_{\text{OUT}}$ ,  $350\text{kHz}$**



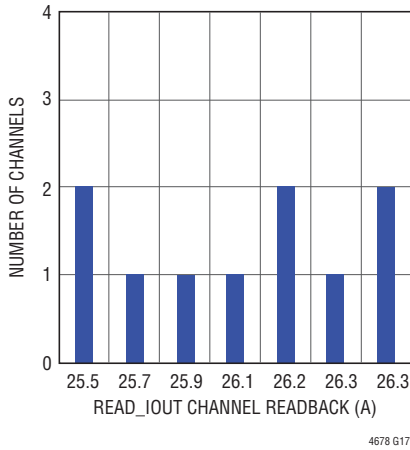
**Supply Current vs Load Current Comparison,  $R_{\text{SENSE}} = 4\text{m}\Omega$ ,  $12\text{V}$  to  $1.5\text{V}_{\text{OUT}}$ ,  $500\text{kHz}$**



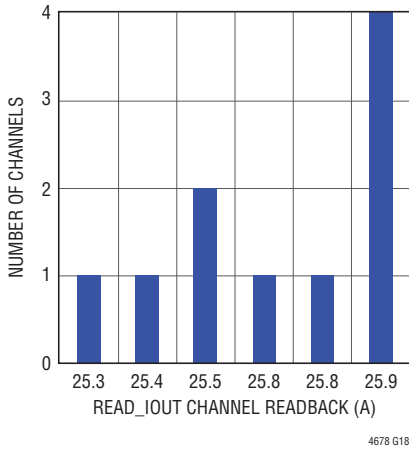
**Supply Current vs Load Current Comparison,  $R_{\text{SENSE}} = 4\text{m}\Omega$ ,  $12\text{V}$  to  $2.5\text{V}_{\text{OUT}}$ ,  $575\text{kHz}$**



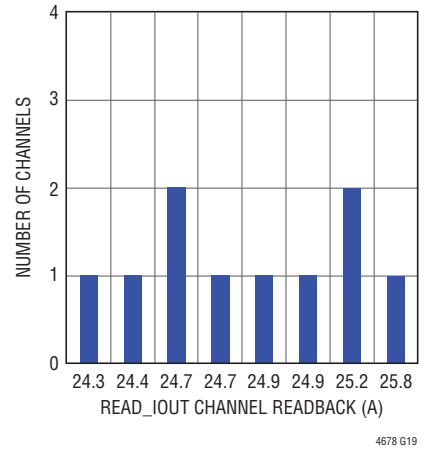
**READ\_IOUT of 10 LTM4678 Channels  $12\text{V}_{\text{IN}}$ ,  $1\text{V}_{\text{OUT}}$ ,  $T_J = -40^\circ\text{C}$ ,  $I_{\text{OUT}n} = 25\text{A}$ , System Having Reached Thermally Steady-State Condition, No Airflow**



**READ\_IOUT of 10 LTM4678 Channels  $12\text{V}_{\text{IN}}$ ,  $1\text{V}_{\text{OUT}}$ ,  $T_J = 25^\circ\text{C}$ ,  $I_{\text{OUT}n} = 25\text{A}$ , System Having Reached Thermally Steady-State Condition, No Airflow**



**READ\_IOUT of 10 LTM4678 Channels  $12\text{V}_{\text{IN}}$ ,  $1\text{V}_{\text{OUT}}$ ,  $T_J = 125^\circ\text{C}$ ,  $I_{\text{OUT}n} = 25\text{A}$ , System Having Reached Thermally Steady-State Condition, No Airflow**



## PIN FUNCTIONS



PACKAGE ROW AND COLUMN LABELING MAY VARY AMONG  $\mu$ Module PRODUCTS. REVIEW EACH PACKAGE LAYOUT CAREFULLY.

**GND (A3-A6, B1, B3-B6, C1-C6, D2-D6, E5-E6, F5-F7, G5-G8, H5-H8, J2-J6, K2-6, L1, L3-L6, M3-M6):** Power Ground of the LTM4678. Power return for  $V_{OUT0}$  and  $V_{OUT1}$ . Return input and output capacitors to this point.

**$V_{OUT0}$  (K7-K11, L7-L12, M7-M10):** Channel 0 Output Voltage. Place recommended output capacitors from this shape to GND. See recommended layout.

**$V_{OSNS0}^+$  (M11):** Channel 0 Positive Differential Voltage Sense Input. Together,  $V_{OSNS0}^+$  and  $V_{OSNS0}^-$  serve to kelvin-sense the  $V_{OUT0}$  output voltage at  $V_{OUT0}$ 's point of load (POL) and provide the differential feedback signal directly to channel 0's feedback loop. Command  $V_{OUT0}$ 's target regulation voltage by serial bus. Its initial command value at  $SV_{IN}$  power-up is dictated by NVM (non-volatile memory) contents (factory default: 1.000V)—or, optionally, may be set by configuration resistors; see  $V_{OUT0\_CFG}$  and the Applications Information section.

**$V_{OSNS0}^-$  (M12):** Channel 0 Negative Differential Voltage Sense Input. See  $V_{OSNS0}^+$ .

**$V_{OUT1}$  (A7-A10, B7-B12, C7-C9, D7):** Channel 1 Output Voltage. Place recommended output capacitors from this shape to GND. See recommended layout.

**$V_{OSNS1}^+$  (A11):** Channel 1 Positive Differential Voltage Sense Input. Together,  $V_{OSNS1}^+$  and  $V_{OSNS1}^-$  serve to kelvin-sense the  $V_{OUT1}$  output voltage at  $V_{OUT1}$ 's point of load (POL) and provide the differential feedback signal directly to channel 1's feedback loop. Command  $V_{OUT1}$ 's target regulation voltage by serial bus. Its initial command value at  $SV_{IN}$  power-up is dictated by NVM (non-volatile memory) contents (factory default: 1.000V)—or, optionally, may be set by configuration resistors; see  $V_{OUT1\_CFG}$  and the Applications Information section.

**$V_{OSNS1}^-$  (A12):** Channel 1 Negative Differential Voltage Sense Input. See  $V_{OSNS1}^+$ .

**SGND (F9-10, G9-10):** SGND is the signal ground return path of the LTM4678. SGND is not internally connected to GND. Connect SGND to GND local to the LTM4678. See recommended layout.

**$V_{IN0}$  (G1-G4, H1-H4):** Positive Power Input to Channel 0 Switching Stage. Provide sufficient decoupling capacitance in the form of multilayer ceramic capacitors (MLCCs) and low ESR electrolytic (or equivalent) to handle reflected input current ripple from the step-down switching stage. MLCCs should be placed as close to the LTM4678 as physically possible. See Layout Recommendations in the Applications Information section.

**$V_{IN1}$  (E1-E4, F1-F4):** Positive Power Input to Channel 1 Switching Stage. Provide sufficient decoupling capacitance in the form of MLCCs and low ESR electrolytic (or equivalent) to handle reflected input current ripple from the step-down switching stage. MLCCs should be placed as close to the LTM4678 as physically possible. See Layout Recommendations in the Applications Information section.

**SW0 (L2, M1-M2):** Switching Node of Channel 0 Step-Down Converter Stage. Used for test purposes or EMI-snubbing. May be routed a short distance to a local test point to monitor switching action of channel 0, if desired, but do not route near any sensitive signals; otherwise, leave electrically isolated (open).

**SW1 (A1-A2, B2):** Switching Node of Channel 1 Step-Down Converter Stage. Used for test purposes or EMI-snubbing. May be routed a short distance to a local test point to monitor switching action of channel 1, if desired, but do not route near any sensitive signals; otherwise, leave open.

**$SV_{IN}$  (D1):** Input Supply for LTM4678's Internal Control IC. In most applications,  $SV_{IN}$  connects to  $V_{IN0}$  and/or  $V_{IN1}$ .  $SV_{IN}$  can be operated from an auxiliary supply separate from  $V_{IN0}/V_{IN1}$  for powering the  $V_{IN0}/V_{IN1}$  from a lower supply like 3.3V. The  $SV_{IN}$  pin has an onboard  $1\Omega$  and  $1\mu\text{F}$  decoupling capacitor. The  $1\Omega$  resistor is used to measure the actual control chip current. See  $MFR\_READ\_ICHIP$  and  $MFR\_ADC\_CONTROL$  Section. When operating from 4.5V to 5.75V with no auxiliary bias supply, then the main input

## PIN FUNCTIONS

supply should connect to  $SV_{IN}$  and  $INTV_{CC}$ . See Test Circuit 2 for an example. In this configuration, the ICHIP current will not be relevant since  $INTV_{CC}$  is connected to  $SV_{IN}$ .

**$I_{IN}^+$  (J1):** Positive Current Sense Amplifier Input. If the input current sense amplifier is not used, this pin must be shorted to the  $I_{IN}^-$  and  $SV_{IN}$  pin. See Applications section for detail about the input current sensing.

**$I_{IN}^-$  (K1):** Negative Current Sense Amplifier Input. If the input current sense amplifier is not used, this pin must be shorted to the  $I_{IN}^+$  and  $SV_{IN}$  pin. See Applications section for detail about the input current sensing.

**$EXTV_{CC}$  (F8):** External Power Input to an Internal Switch Connected to  $INTV_{CC}$ . This switch closes and supplies the IC power, bypassing the internal regulator whenever  $EXTV_{CC}$  is higher than 4.7V and  $V_{IN}$  is higher than 7V.  $EXTV_{CC}$  also powers up  $V_{DD33}$  when  $EXTV_{CC}$  is higher than 4.7V and  $INTV_{CC}$  is lower than 3.8V. Do not exceed 6V on this pin. Decouple this pin to PGND with a minimum of 4.7 $\mu$ F low ESR tantalum or ceramic capacitor. If the  $EXTV_{CC}$  pin is not used to power  $INTV_{CC}$ , the  $EXTV_{CC}$  pin must be tied to GND.

**$INTV_{CC}$  (E7) :** Internal Regulator, 5.5V Output. When operating the LTM4678 from  $5.75V \leq SV_{IN} \leq 16V$ , an LDO generates  $INTV_{CC}$  from  $SV_{IN}$  to bias internal control circuits and the MOSFET drivers of the LTM4678. An external 2.2 $\mu$ F ceramic decoupling is required.  $INTV_{CC}$  is regulated regardless of the  $RUN_n$  pin state. When operating the LTM4678 with  $4.5V \leq SV_{IN} < 5.75V$ ,  $INTV_{CC}$  must be electrically shorted to  $SV_{IN}$ .

**$V_{DD33}$  (E8):** Internally Generated 3.3V Power Supply Output Pin. This pin should only be used to provide external current for the pull-up resistors required for  $\overline{FAULT}_n$ ,  $SHARE\_CLK$ , and SYNC, and may be used to provide external current for pull-up resistors on  $RUN_n$ , SDA, SCL,  $\overline{ALERT}$  and  $PGOOD_n$ . No external decoupling is required.

**$V_{DD25}$  (D12):** Internally Generated 2.5V Power Supply Output Pin. Do not load this pin with external current; it is used strictly to bias internal logic and provides current for the

internal pull-up resistors connected to the configuration-programming pins. No external decoupling is required.

**ASEL (F12):** Serial Bus Address Configuration Pin. On any given I<sup>2</sup>C/SMBus serial bus segment, every device must have its own unique slave address. If this pin is left open, the LTM4678 powers up to its default slave address of 0x4F (hexadecimal), i.e., 1001111b (industry-standard convention is used throughout this document: 7-bit slave addressing). The lower four bits of the LTM4678's slave address can be altered from this default value by connecting a resistor from this pin to SGND. Minimize capacitance—especially when the pin is left open—to assure accurate detection of the pin state.

**FSWPH\_CFG (E9):** Switching Frequency, Channel Phase-Interleaving Angle and Phase Relationship to SYNC Configuration Pin. If this pin is left open—or, if the LTM4678 is configured to ignore pin-strap (RCONFIG) resistors, i.e.,  $MFR\_CONFIG\_ALL[6] = 1b$ —then LTM4678's switching frequency (FREQUENCY\_SWITCH) and channel phase relationships (with respect to the SYNC clock;  $MFR\_PWM\_CONFIG[2:0]$ ) are dictated at  $SV_{IN}$  power-up according to the LTM4678's NVM contents. Default factory values are: 350kHz operation; channel 0 at 0°; and channel 1 at 180° (convention throughout this document: a phase angle of 0° means the channel's switch node rises coincident with the falling edge of the SYNC pulse). Connecting a resistor from this pin to SGND (and using the factory-default NVM setting of  $MFR\_CONFIG\_ALL[6] = 0b$ ) allows a convenient way to configure multiple LTM4678s with identical NVM contents for different switching frequencies of operation and phase interleaving angle settings of intra- and extra-module-paralleled channels—all, without GUI intervention or the need to “custom pre-program” module NVM contents. (See the Applications Information section.) Minimize capacitance—especially when the pin is left open—to assure accurate detection of the pin state.

**VOUT0\_CFG (E11):** Output Voltage Select Pin for  $V_{OUT0}$ , Coarse Setting. If the  $VOUT0\_CFG$  and  $VTRIM0\_CFG$  pins are both left open—or, if the LTM4678 is configured to ignore pin-strap (RCONFIG) resistors, i.e.,



## PIN FUNCTIONS

**MFR\_CONFIG\_ALL[6] = 1b**—then the LTM4678s target  $V_{OUT0}$  output voltage setting (VOUT\_COMMAND0) and associated power-good and OV/UV warning and fault thresholds are dictated at  $SV_{IN}$  power-up according to the LTM4678's NVM contents. A resistor connected from this pin to SGND—in combination with resistor pin settings on VTRIM0\_CFG, and using the factory-default NVM setting of MFR\_CONFIG\_ALL[6] = 0b—can be used to configure the LTM4678's channel 0 output to power-up to a VOUT\_COMMAND value (and associated output voltage monitoring and protection/fault-detection thresholds) different from those of NVM contents. (See the Applications Information section.) Connecting resistor(s) from VOUT0\_CFG to SGND and/or VTRIM0\_CFG to SGND in this manner allows a convenient way to configure multiple LTM4678s with identical NVM contents for different output voltage settings all without GUI intervention or the need to “custom-preprogram” module NVM contents. Minimize capacitance especially when the pin is left open to assure accurate detection of the pin state. Note that use of RCONFIGs on VOUT0\_CFG/VTRIM0\_CFG can affect the  $V_{OUT0}$  range setting (MFR\_PWM\_MODE0[1]) and loop gain.

**VTRIM1\_CFG (E10):** Output Voltage Select Pin for  $V_{OUT1}$ , Fine Setting. Works in combination with VOUT1\_CFG to affect the VOUT\_COMMAND (and associated output voltage monitoring and protection/fault-detection thresholds) of channel 1, at  $SV_{IN}$  power-up. (See VOUT1\_CFG and the Applications Information section.) Minimize capacitance especially when the pin is left open to assure accurate detection of the pin state. Note that use of RCONFIGs on VOUT1\_CFG/VTRIM1\_CFG can affect the  $V_{OUT1}$  range setting (MFR\_PWM\_MODE1[1]) and loop gain.

**VOUT1\_CFG (E12):** Output Voltage Select Pin for  $V_{OUT1}$ , Coarse Setting. If the VOUT1\_CFG and VTRIM1\_CFG pins are both left open or, if the LTM4678 is configured to ignore pin-strap (RCONFIG) resistors, i.e., MFR\_CONFIG\_ALL[6] = 1b then the LTM4678's target  $V_{OUT1}$  output voltage setting (VOUT\_COMMAND1) and associated OV/UV warning and fault thresholds are dictated at  $SV_{IN}$  power-up according to the LTM4678's NVM contents, in precisely the same fashion that the VOUT1\_CFG and

VTRIM1\_CFG pins affect the respective settings of  $V_{OUT1}$ /channel 1. (See VOUT1\_CFG, VTRIM1\_CFG and the Applications Information section.) Minimize capacitance—especially when the pin is left open—to assure accurate detection of the pin state. Note that use of RCONFIGs on VOUT1\_CFG/VTRIM1\_CFG can affect the  $V_{OUT1}$  range setting (MFR\_PWM\_MODE1[1]) and loop gain.

**VTRIM0\_CFG (C12):** Output Voltage Select Pin for  $V_{OUT0}$ , Fine Setting. Works in combination with VOUT0\_CFG to affect the VOUT\_COMMAND (and associated output voltage monitoring and protection/fault-detection thresholds) of channel 0, at  $SV_{IN}$  power-up. (See VOUT0\_CFG and the Applications Information section.) Minimize capacitance—especially when the pin is left open—to assure accurate detection of the pin state. Note that use of RCONFIGs on VOUT0\_CFG/VTRIM0\_CFG can affect the  $V_{OUT0}$  range setting (MFR\_PWM\_MODE0[1]) and loop gain.

**RUN0, RUN1 (G12, F11 Respectively):** Enable Run Input for Channels 0 and 1, Respectively. Open-drain input and output. Logic high on these pins enables the respective outputs of the LTM4678. These open-drain output pins hold the pin low until the LTM4678 is out of reset and  $SV_{IN}$  is detected to exceed  $V_{IN\_ON}$ . A pull-up resistor to 3.3V is required in the application. The LTM4678 pulls RUN0 and/or RUN1 low, as appropriate, when a global fault and/or channel-specific fault occurs whose fault response is configured to latch off and cease regulation; issuing a CLEAR\_FAULTS command via I<sup>2</sup>C or power-cycling  $SV_{IN}$  is necessary to restart the module, in such cases. Do not pull RUN logic high with a low impedance source.

**PGOOD0/PGOOD1 (J7/D9):** Power Good Indicator Outputs. Open-drain logic output that is pulled to ground when the output exceeds the UV and OV regulation window. The output is deglitch by an internal 100 $\mu$ s filter. A pull-up resistor to 3.3V is required in the application.

**FAULT0/FAULT1 (H12/G11):** Digital Programmable FAULT Inputs and Outputs. Open-drain output. A pull-up resistor to 3.3V is required in the application.

## PIN FUNCTIONS

**COMP0b/COMP1b (H9/C10):** Current Control Threshold and Error Amplifier Compensation Nodes. Each associated channel's current comparator tripping threshold increases with its compensation voltage. Each channel has a 22pF to SGND.

**COMP0a/COMP1a (J9/D10):** Loop Compensation Nodes. The internal PWM loop compensation resistors  $R_{COMPn}$  of the LTM4678 can be adjusted using bit[4:0] of the MFR\_PWM\_COMP command. The transconductance of the LTM4678 PWM error amplifier can be adjusted using bit[7:5] of the MFR\_PWM\_COMP command. These two loop compensation parameters can be programmed when device is in operation. Refer to the Programmable Loop Compensation subsection in the Applications Information section for further details. See Figure 1.

**SYNC (K12):** External Clock Synchronization Input and Open-Drain Output Pin. If an external clock is present at this pin, the switching frequency will be synchronized to the external clock. If clock master mode is enabled, this pin will pull low at the switching frequency with a 500ns pulse to ground. A resistor pull-up to 3.3V is required in the application if the LTM4678 is the master.

**SCL (J12):** Serial Bus Clock Open-Drain Input (Can Be an Input and Output, if Clock Stretching is Enabled). A pull-up resistor to 3.3V is required in the application for digital communication to the SMBus master(s) that nominally drive this clock. The LTM4678 will never encounter scenarios where it would need to engage clock stretching unless SCL communication speeds exceed 100kHz—and even then, LTM4678 will not clock stretch unless clock stretching is enabled by means of setting MFR\_CONFIG\_ALL[1] = 1b. The factory-default NVM configuration setting has MFR\_CONFIG\_ALL[1] = 0b: clock stretching disabled. If communication on the bus at clock speeds above 100kHz is required, the user's SMBus master(s) needs to implement clock stretching support to assure solid serial bus communications, and only then should MFR\_CONFIG\_ALL[1] be set to 1b. When clock

stretching is enabled, SCL becomes a bidirectional, open-drain output pin on LTM4678.

**SDA (H10):** Serial Bus Data Open-Drain Input and Output. A pull-up resistor to 3.3V is required in the application.

**ALERT (H11):** Open-Drain Digital Output. A pull-up resistor to 3.3V is required in the application only if SMBALERT interrupt detection is implemented in one's SMBus system.

**SHARE\_CLK (D11):** Share Clock, Bidirectional Open-Drain Clock Sharing Pin. Nominally 100kHz. Used for synchronizing the time base between multiple LTM4678s (and any other Analog Devices devices with a SHARE\_CLK pin)—to realize well-defined rail sequencing and rail tracking. Tie the SHARE\_CLK pins of all such devices together; all devices with a SHARE\_CLK pin will synchronize to the fastest clock. A pull-up resistor to 3.3V is only required when synchronizing the time base between devices.

**TSNS0a, TSNS0b (J11 and J8, Respectively):** Channel 0 Temperature Excitation/Measurement and Thermal Sensor Pins, Respectively. Connect TSNS0a to TSNS0b. This allows the LTM4678 to monitor the power stage temperature of channel 0.

**TSNS1a, TSNS1b (J10 and D8, Respectively):** Channel 1 Temperature Excitation/Measurement and Thermal Sensor Pins, Respectively. In most applications, connect TSNS1a to TSNS1b. This allows the LTM4678 to monitor the power stage temperature of channel 1. See the Applications section for information on how to use TSNS1a to monitor an external temperature sensor.

**WP (C11):** Write Protect Pin, Active High. An internal 10 $\mu$ A current source pulls this pin to  $V_{DD33}$ . If WP is open circuit or logic high, only I<sup>2</sup>C writes to PAGE, OPERATION, CLEAR\_FAULTS, MFR\_CLEAR\_PEAKS and MFR\_EE\_UNLOCK are supported. Additionally, Individual faults can be cleared by writing 1b's to bits of interest in registers prefixed with "STATUS". If WP is low, I<sup>2</sup>C writes are unrestricted.

# SIMPLIFIED BLOCK DIAGRAM

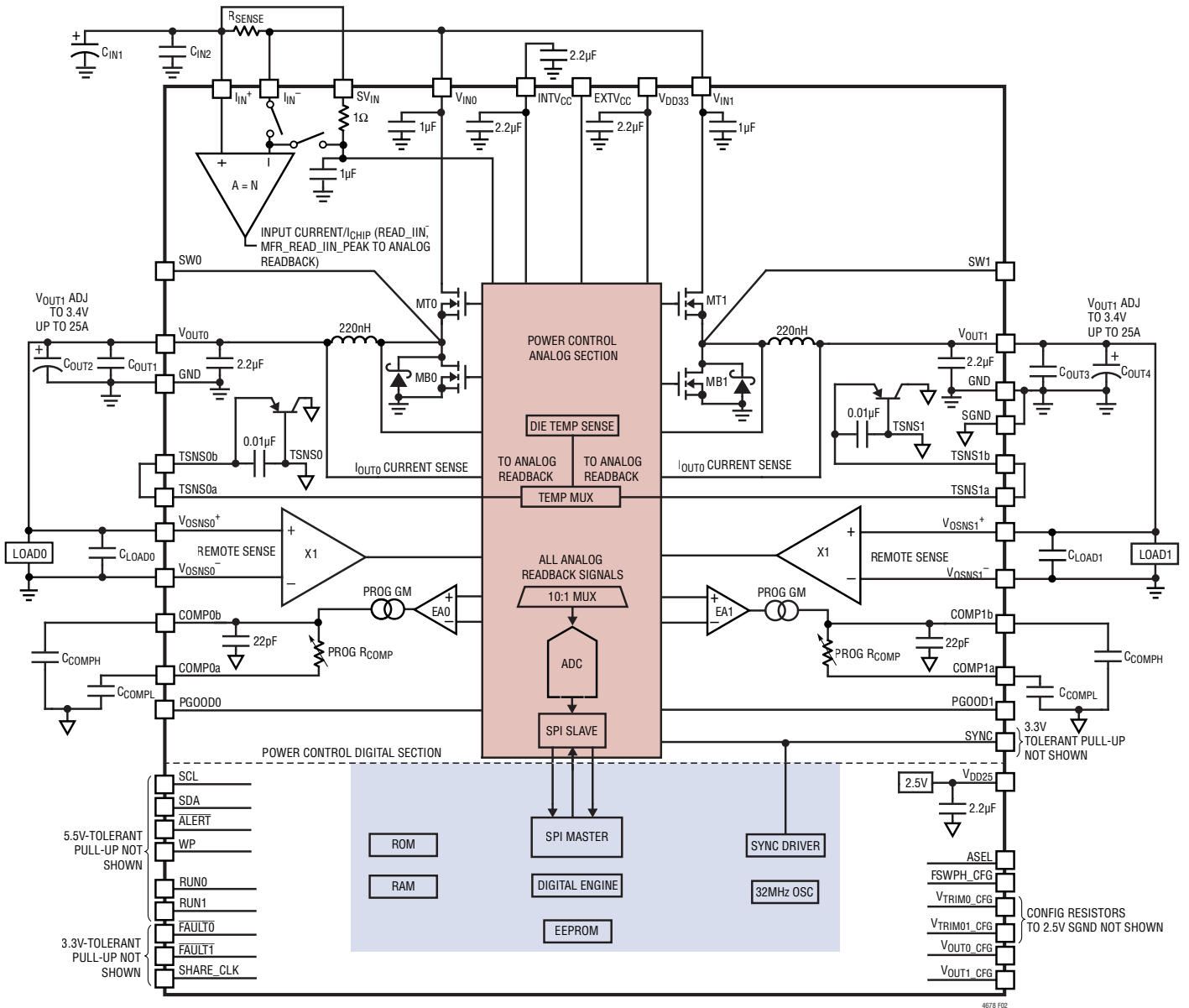


Figure 2. Simplified LTM4678 Block Diagram

## DECOUPLING REQUIREMENTS $T_A = 25^\circ\text{C}$ . Using Figure 1 configuration.

SYMBOL	PARAMETER	CONDITIONS	MIN	TYP	MAX	UNITS
$C_{INH}$	External High Frequency Input Capacitor Requirement ( $5.75\text{V} \leq V_{IN} \leq 16\text{V}$ , $V_{OUTn}$ Commanded to 1.000V)	$I_{OUT0} = 25\text{A}$ $I_{OUT1} = 25\text{A}$		66	66	$\mu\text{F}$
$C_{OUTn}$	External High Frequency Output Capacitor Requirement ( $5.75\text{V} \leq V_{IN} \leq 16\text{V}$ , $V_{OUTn}$ Commanded to 1.000V)	$I_{OUT0} = 25\text{A}$ $I_{OUT1} = 25\text{A}$		400	400	$\mu\text{F}$

# FUNCTIONAL DIAGRAM

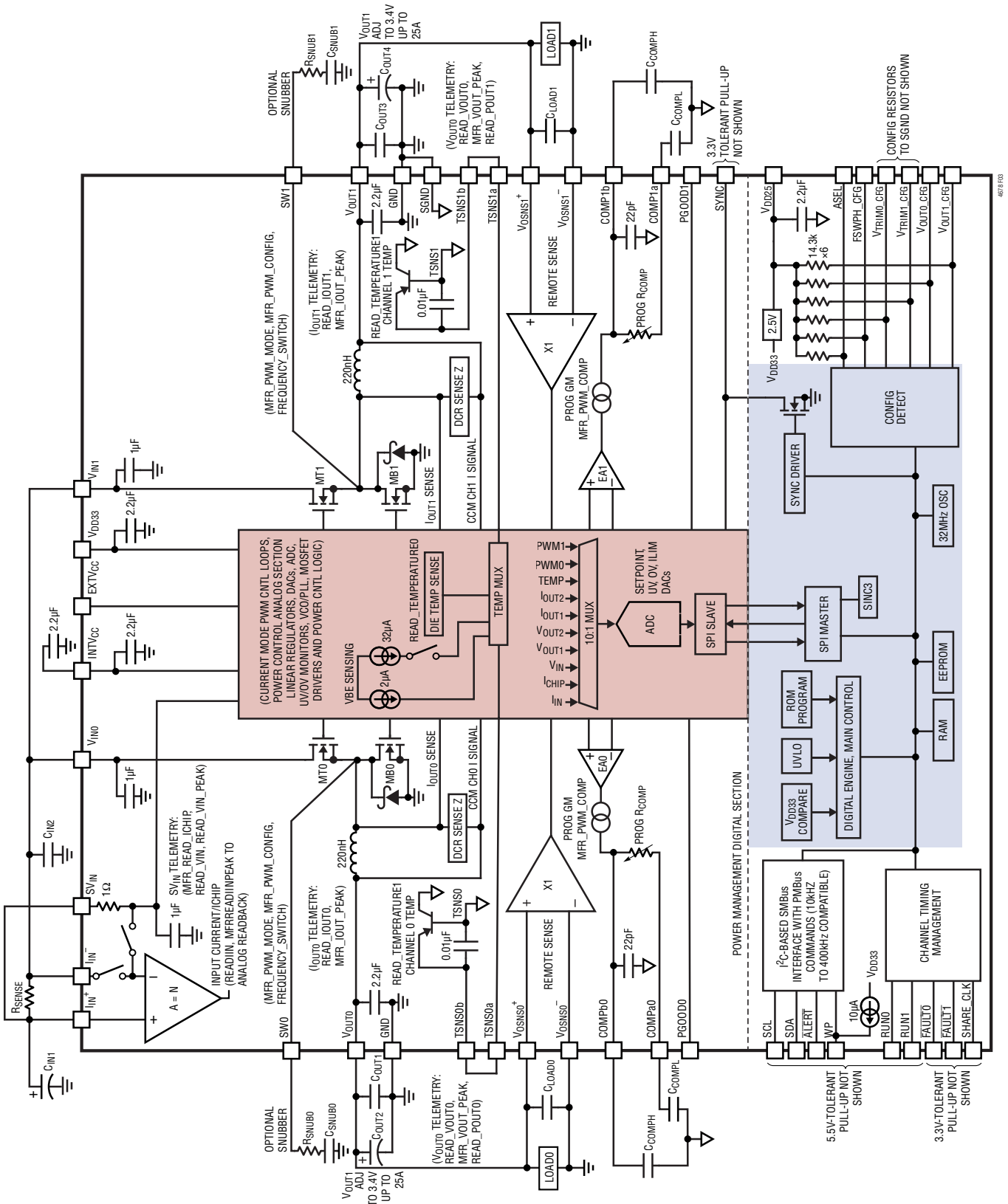
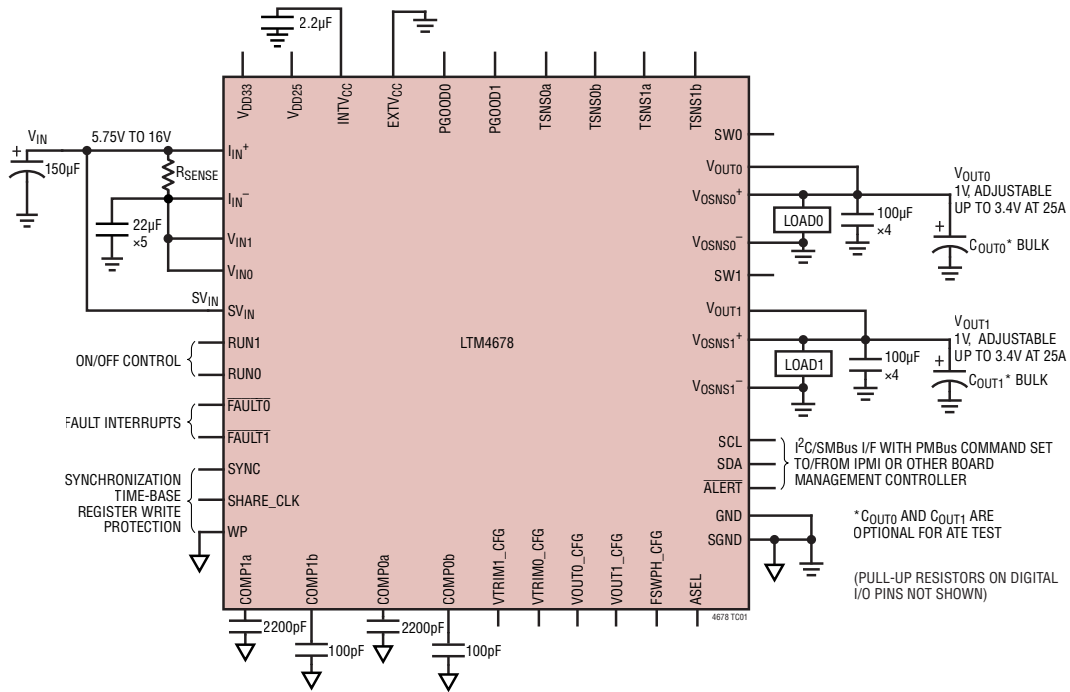


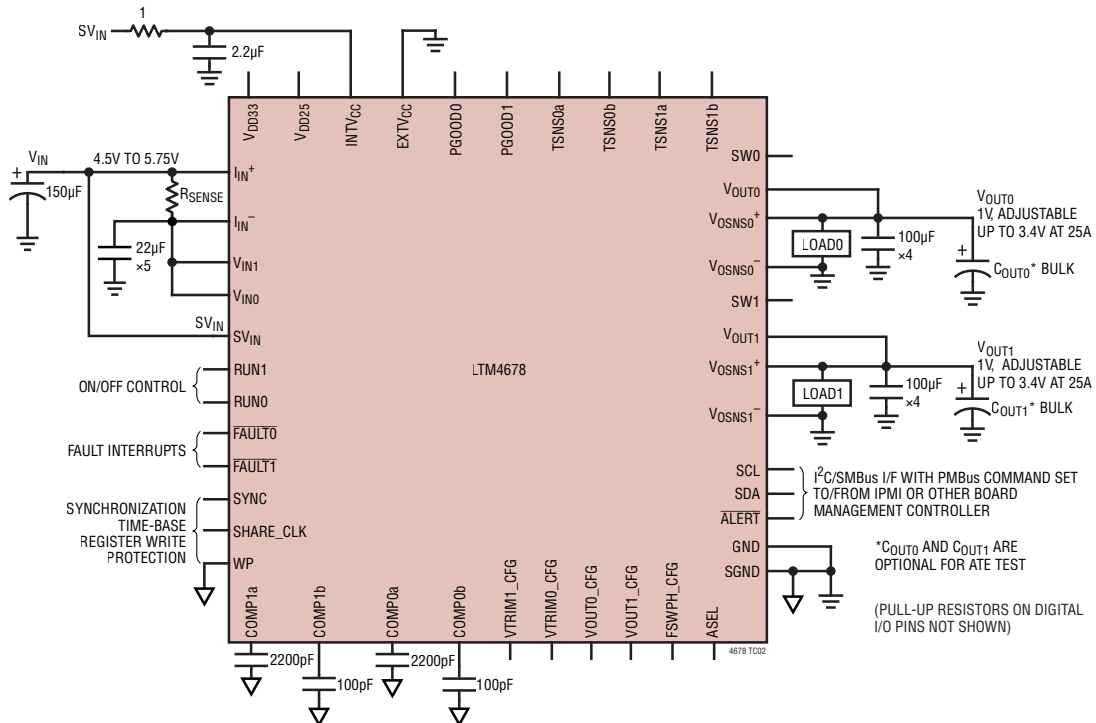
Figure 3. Functional LTM4678 Block Diagram

# TEST CIRCUITS

**Test Circuit 1. LTM4678 ATE High  $V_{IN}$  Operating Range Configuration,  $5.75V \leq V_{IN} \leq 16V$**



**Test Circuit 2. LTM4678 ATE Low  $V_{IN}$  Operating Range Configuration,  $4.5V \leq V_{IN} \leq 5.75V$**



## OPERATION

### POWER MODULE INTRODUCTION

The LTM4678 is a highly configurable dual 25A output standalone nonisolated switching mode step-down DC/DC power supply with built-in EEPROM NVM (non-volatile memory) with ECC and I<sup>2</sup>C-based PMBus/SMBus 2-wire serial communication interface capable of 400kHz SCL bus speed. Two output voltages can be regulated ( $V_{OUT0}$ ,  $V_{OUT1}$ —collectively,  $V_{OUTn}$ ) with a few external input and output capacitors and pull-up resistors. Readback telemetry data of input and output voltages and input and output currents, and module temperatures are continually digitized cyclically by an integrated 16-bit ADC (analog-to-digital converter). Many fault thresholds and responses are customizable. Data can be autonomously saved to EEPROM when a fault occurs, and the resulting fault log can be retrieved over I<sup>2</sup>C at a later time, for analysis. See Figure 2 and Figure 3 for Block Diagrams.

### POWER MODULE OVERVIEW, MAJOR FEATURES

Major Features Include:

- Dedicated Power Good Indicators
- Direct Input and Chip Current Sensing
- Programmable Loop Compensation Parameters
- $T_{INIT}$  Start-Up Time: 30ms
- PWM Synchronization Circuit, (See Frequency and Phasing Section for Details)
- MFR\_ADC\_CONTROL for Fast ADC Sampling of One Parameter (as Fast as 8ms) (See PMBus Command for Details)
- Fully Differential Output Sensing for Both Channels;  $V_{OUT0}/V_{OUT1}$  Both Programmable Up to 3.6V
- Power-Up and Program EEPROM with EXT $V_{CC}$
- Input Voltage Up to 16V
- $\Delta V_{BE}$  Temperature Sensing
- SYNC Contention Circuit (Refer to Frequency and Phase Section for Details)
- Fault Logging
- Programmable Output Voltage
- Programmable Input Voltage On and Off Threshold Voltage
- Programmable Current Limit
- Programmable Switching Frequency
- Programmable OV and UV Threshold voltage
- Programmable ON and Off Delay Times
- Programmable Output Rise/Fall Times
- Phase-Locked Loop for Synchronous PolyPhase Operation (2, 3, 4 or 6 Phases)
- Nonvolatile Configuration Memory with ECC
- Optional External Configuration Resistors for Key Operating Parameters
- Optional Time Base Interconnect for Synchronization Between Multiple Controllers
- WP Pin to Protect Internal Configuration
- Stand Alone Operation After User Factory Configuration
- PMBus, Version 1.2, 400kHz Compliant Interface

The PMBus interface provides access to important power management data during system operation including:

- Internal Controller Temperature
- Internal Power Channel Temperature Average Output Current
- Average Output Voltage
- Average Input Voltage
- Average Input Current
- Average Chip Input Current from  $V_{IN}$
- Configurable, Latched and Unlatched Individual Fault and Warning Status

Individual channels are accessed through the PMBus using the PAGE command, i.e., PAGE 0 or 1.

Fault reporting and shutdown behavior are fully configurable. Two individual  $\overline{FAULT0}$ ,  $\overline{FAULT1}$  outputs are provided, both of which can be masked independently.

## OPERATION

Three dedicated pins for  $\overline{\text{ALERT}}$ , PGOOD0/PGOOD1 functions are provided. The shutdown operation also allows all faults to be individually masked and can be operated in either unlatched (hiccup) or latched modes.

Individual status commands enable fault reporting over the serial bus to identify the specific fault event. Fault or warning detection includes the following:

- Output Undervoltage/Overvoltage
- Input Undervoltage/Overvoltage
- Input and Output Overcurrent
- Internal Overtemperature
- Communication, Memory or Logic (CML) Fault

### EEPROM WITH ECC

The LTM4678 contains internal EEPROM with ECC (Error Correction Coding) to store user configuration settings and fault log information. EEPROM endurance retention and mass write operation time are specified in the Electrical Characteristics and Absolute Maximum Ratings sections. Write operations above  $T_J = 85^\circ\text{C}$  are possible although the Electrical Characteristics are not guaranteed and the EEPROM will be degraded. Read operations performed at temperatures between  $-40^\circ\text{C}$  and  $125^\circ\text{C}$  will not degrade the EEPROM. Writing to the EEPROM above  $85^\circ\text{C}$  will result in a degradation of retention characteristics. The fault logging function, which is useful in debugging system problems that may occur at high temperatures, only writes to fault log EEPROM locations. If occasional writes to these registers occur above  $85^\circ\text{C}$ , the slight degradation in the data retention characteristics of the fault log will not take away from the usefulness of the function.

It is recommended that the EEPROM not be written when the die temperature is greater than  $85^\circ\text{C}$ . If the die temperature exceeds  $130^\circ\text{C}$ , the LTM4678 will disable all EEPROM write operations. All EEPROM write operations will be re-enabled when the die temperature drops below  $125^\circ\text{C}$ . (The controller will also disable all the switching when the die temperature exceeds the internal overtemperature fault limit  $160^\circ\text{C}$  with a  $10^\circ\text{C}$  hysteresis).

The degradation in EEPROM retention for temperatures  $>125^\circ\text{C}$  can be approximated by calculating the dimensionless acceleration factor using the following equation:

$$AF = e^{\left[ \left( \frac{E_a}{k} \right) \cdot \left( \frac{1}{T_{\text{USE}} + 273} - \frac{1}{T_{\text{STRESS}} + 273} \right) \right]}$$

where:

AF = acceleration factor

$E_a$  = activation energy =  $1.4\text{eV}$

$K = 8.617 \cdot 10^{-5} \text{ eV/}^\circ\text{K}$

$T_{\text{USE}} = 125^\circ\text{C}$  specified junction temperature

$T_{\text{STRESS}}$  = actual junction temperature in  $^\circ\text{C}$

Example: Calculate the effect on retention when operating at a junction temperature of  $135^\circ\text{C}$  for 10 hours.

$$T_{\text{STRESS}} = 130^\circ\text{C}$$

$$T_{\text{USE}} = 125^\circ\text{C},$$

$$AF = e^{((1.4/8.617 \cdot 10^{-5}) \cdot (1/398 - 1/403))} = 16.6$$

The equivalent operating time at  $125^\circ\text{C} = 16.6$  hours.

Thus the overall retention of the EEPROM was degraded by 16.6 hours as a result of operating at a junction temperature of  $130^\circ\text{C}$  for 10 hours. The effect of the overstress is negligible when compared to the overall EEPROM retention rating of 87,600 hours at a maximum junction temperature of  $125^\circ\text{C}$ .

The integrity of the entire onboard EEPROM is checked with a CRC calculation each time its data is to be read, such as after a power-on reset or execution of a `RESTORE_USER_ALL` command. If a CRC error occurs, the CML bit is set in the `STATUS_BYTE` and `STATUS_WORD` commands, the EEPROM CRC Error bit in the `STATUS_MFR_SPECIFIC` command is set, and the  $\overline{\text{ALERT}}$  and `RUN` pins pulled low (PWM channels off). At that point the device will only respond at special address `0x7C`, which is activated only after an invalid CRC has been detected. The chip will also respond at the global addresses `0x5A` and `0x5B`, but use of these addresses when attempting to recover from a CRC issue is not recommended. All power supply rails associated with either PWM channel of a device reporting an invalid CRC should remain disabled until the issue is resolved. See the Applications Information section or contact the factory

## OPERATION

for details on efficient in-system EEPROM programming, including bulk EEPROM Programming, which the LTM4678 also supports.

The LTM4678 contains dual integrated constant frequency current mode control buck regulators (channel 0 and channel 1) whose built-in power MOSFETs are capable of fast switching speed. The factory NVM-default switching frequency clocks SYNC at 575kHz, to which the regulators synchronize their switching frequency. The default phase-interleaving angle between the channels is 180°. A pin-strapping resistor on FSWPH\_CFG configures the frequency of the SYNC clock (switching frequency) and the channel phase relationship of the channels to each other and with respect to the falling edge of the SYNC signal. (Most possible combinations of switching frequency and phase-angle assignments are settleable by resistor pin programming; see Table 3. Configure the LTM4678's NVM to implement settings not available by resistor-pin strapping.) When a FSWPH\_CFG pin-strap resistor sets the channel phase relationship of the LTM4678's channels, the SYNC clock is not driven by the module; instead, SYNC becomes strictly a high impedance input and channel switching frequency is then synchronized to SYNC provided by an externally-generated clock or sibling LTM4678 with pull-up resistor to  $V_{DD33}$ . Switching frequency and phase relationship can be altered via the I<sup>2</sup>C interface, but only when switching action is off, i.e., when the module is not regulating either output. See the Applications Information section for details.

Programmable analog feedback loop compensation for channel 0 and channel 1 is accomplished with a capacitor connection from COMP<sub>0,1a</sub> to SGND, and a capacitor from COMP<sub>0,1b</sub> to SGND.) The COMP<sub>0,1b</sub> pin is for the high frequency gain roll off and is the  $g_m$  amplifier output that has a programmable range, and the COMP<sub>0,1a</sub> pin has the programmable resistor range along with a capacitor to SGND that sets the frequency compensation. See Programmable Loop Compensation section. The LTM4678 module has sufficient stability margins and good transient performance with a wide range of output capacitors—even all-ceramic MLCCs. Table 13 provides guidance on input and output capacitors recommended for many common operating conditions along with the programmable compensation settings. The Analog Devices LTpowerCAD tool is avail-

able for transient and stability analysis, and experienced users who prefer to adjust the module's feedback loop compensation parameters can use this tool.

## POWER-UP AND INITIALIZATION

The LTM4678 is designed to provide standalone supply sequencing and controlled turn-on and turn-off operation. It operates from a single input supply (4.5V to 16V) while three on-chip linear regulators generate internal 2.5V, 3.3V and 5.5V. If  $V_{IN}$  does not exceed 6V, and the EXTV<sub>CC</sub> pin is not driven by an external supply, the INTV<sub>CC</sub> and  $V_{IN}$  pins must be tied together. The controller configuration is initialized by an internal threshold based UVLO where  $V_{IN}$  must be approximately 4V and the 5.5V, 3.3V and 2.5V linear regulators must be within approximately 20% of the regulated values. In addition to the power supply, a PMBus RESTORE\_USER\_ALL or MFR\_RESET command can initialize the part too.

The EXTV<sub>CC</sub> pin is driven by an external regulator to improve efficiency of the circuit and minimize power loss on the LTM4678 when  $V_{IN}$  is high. The EXTV<sub>CC</sub> pin must exceed approximately 4.7V, and  $V_{IN}$  must exceed approximately 7V before the INTV<sub>CC</sub> LDO operates from the EXTV<sub>CC</sub> pin. To minimize application power, the EXTV<sub>CC</sub> pin can be supplied by a switching regulator.

During initialization, the external configuration resistors are identified and/or contents of the NVM are read into the controller's commands and the power train is held off. The RUN $n$  and  $\overline{\text{FAULT}}n$  and PGOOD $n$  are held low. The LTM4678 will use the contents of Table 1 thru Table 5 to determine the resistor defined parameters. See the RCONFIG (Resistor Configuration) Pins section for more details. The resistor configuration pins only control some of the preset values of the controller. The remaining values are programmed in NVM either at the factory or by the user.

If the configuration resistors are not inserted or if the ignore RCONFIG bit is asserted (bit 6 of the MFR\_CONFIG\_ALL configuration command), the LTM4678 will use only the contents of NVM to determine the DC/DC characteristics. The ASEL value read at power-up or reset is always respected unless the pin is open. The ASEL will set the bottom 4LSBs and the MSBs are set by NVM. See the Applications Information section for more details.



## OPERATION

After the part has initialized, an additional comparator monitors  $V_{IN}$ . The  $VIN\_ON$  threshold must be exceeded before the output power sequencing can begin. After  $V_{IN}$  is initially applied, the part will typically require 30ms to initialize and begin the  $TON\_DELAY$  timer. The readback of voltages and currents may require an additional 0ms to 90ms.

### SOFT-START

The method of start-up sequencing described below is time-based. The part must enter the run state prior to soft-start. The run pins are released by the LTM4678 after the part is initialized and  $V_{IN}$  is greater than the  $VIN\_ON$  threshold. If multiple LTM4678s are used in an application, they all hold their respective run pins low until all devices are initialized and  $V_{IN}$  exceeds the  $VIN\_ON$  threshold for every device. The  $SHARE\_CLK$  pin assures all the devices connected to the signal use the same time base. The  $SHARE\_CLK$  pin is held low until the part has been initialized after  $V_{IN}$  is applied. The LTM4678 can be set to turn-off (or remain off) if  $SHARE\_CLK$  is low (set bit 2 of  $MFR\_CHAN\_CONFIG$  to 1). This allows the user to assure synchronization across numerous LTC® devices even if the RUN pins cannot be connected together due to board constraints. In general, if the user cares about synchronization between chips it is best not only to connect all the respective RUN pins together but also to connect all the respective  $SHARE\_CLK$  pins together and pulled up to  $V_{DD33}$  with a 10k resistor. This assures all chips begin sequencing at the same time and use the same time base.

After the RUN pins release and prior to entering a constant output voltage regulation state, the LTM4678 performs a monotonic initial ramp or “soft-start”. Soft-start is performed by actively regulating the load voltage while digitally ramping the target voltage from 0V to the commanded voltage set-point. Once the LTM4678 is commanded to turn on (after power up and initialization), the controller waits for the user specified turn-on delay ( $TON\_DELAY$ ) prior to initiating this output voltage ramp. The rise time of the voltage ramp can be programmed using the  $TON\_RISE$  command to minimize inrush currents associated with the start-up voltage ramp. The soft-start feature is disabled by setting the value of  $TON\_RISE$  to any value less than 0.25ms. The

LTM4678 PWM always uses discontinuous mode during the  $TON\_RISE$  operation. In discontinuous mode, the bottom MOSFET is turned off as soon as reverse current is detected in the inductor. This will allow the regulator to start up into a pre-biased load. When the  $TON\_MAX\_FAULT\_LIMIT$  is reached, the part transitions to continuous mode, if so programmed. If  $TON\_MAX\_FAULT\_LIMIT$  is set to zero, there is no time limit and the part transitions to the desired conduction mode after  $TON\_RISE$  completes and  $V_{OUT}$  has exceeded the  $VOUT\_UV\_FAULT\_LIMIT$  and  $IOUT\_OC$  is not present. However, setting  $TON\_MAX\_FAULT\_LIMIT$  to a value of 0 is not recommended.

### TIME-BASED SEQUENCING

The default mode for sequencing the outputs on and off is time-based. Each output is enabled after waiting  $TON\_DELAY$  amount of time following either a RUN pin going high, a PMBus command to turn on or the  $V_{IN}$  rising above a preprogrammed voltage. Off sequencing is handled in a similar way. To assure proper sequencing, make sure all ICs connect the  $SHARE\_CLK$  pin together and RUN pins together. If the RUN pins cannot be connected together for some reasons, set bit 2 of  $MFR\_CHAN\_CONFIG$  to 1. This bit requires the  $SHARE\_CLK$  pin to be clocking before the power supply output can start. When the RUN pin is pulled low, the LTM4678 will hold the pin low for the  $MFR\_RESTART\_DELAY$ . The minimum  $MFR\_RESTART\_DELAY$  is  $TOFF\_DELAY + TOFF\_FALL + 136ms$ . This delay assures proper sequencing of all rails. The LTM4678 calculates this delay internally and will not process a shorter delay. However, a longer commanded  $MFR\_RESTART\_DELAY$  can be used by the part. The maximum allowed value is 65.52 seconds.

### VOLTAGE-BASED SEQUENCING

The sequence can also be voltage-based. As shown in Figure 4, The  $PGOOD_n$  pin is asserted when the UV threshold is exceeded for each output. It is possible to feed the  $PGOOD$  pin from one LTM4678 into the RUN pin of the next LTM4678 in the sequence, especially across multiple LTM4678s. The  $PGOOD_n$  has a 60 $\mu$ s filter. If the  $V_{OUT}$  voltage bounces around the UV threshold for a long period of time it is possible for the  $PGOOD_n$  output

## OPERATION

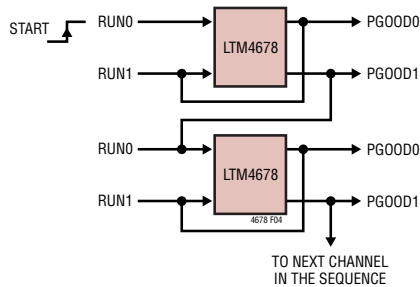


Figure 4. Event (Voltage) Based Sequencing

to toggle more than once. To minimize this problem, set the TON\_RISE time under 100ms.

If a fault in the string of rails is detected, only the faulted rail and downstream rails will fault off. The rails in the string of devices in front of the faulted rail will remain on unless commanded off.

### SHUTDOWN

The LTM4678 supports two shutdown modes. The first mode is closed-loop shutdown response, with user defined turn-off delay (TOFF\_DELAY) and ramp down rate (TOFF\_FALL). The controller will maintain the mode of operation for TOFF\_FALL. The second mode is discontinuous conduction mode, the controller will not draw current from the load and the fall time will be set by the output capacitance and load current, instead of TOFF\_FALL.

The shutdown occurs in response to a fault condition or loss of SHARE\_CLK (if bit 2 of MFR\_CHAN\_CONFIG is set to a 1) or  $V_{IN}$  falling below the VIN\_OFF threshold or FAULT pulled low externally (if the MFR\_FAULT\_RESPONSE is set to inhibit). Under these conditions, the power stage is disabled in order to stop the transfer of energy to the load as quickly as possible. The shutdown state can be entered from the soft-start or active regulation states or through user intervention.

There are two ways to respond to faults; which are retry mode and latched off mode. In retry mode, the controller responds to a fault by shutting down and entering the inactive state for a programmable delay time (MFR\_RETRY\_DELAY). This delay minimizes the duty cycle associated with autonomous retries if the fault that causes the shutdown disappears once the output is disabled. The retry delay

time is determined by the longer of the MFR\_RETRY\_DELAY command or the time required for the regulated output to decay below 12.5% of the programmed value. If multiple outputs are controlled by the same FAULT $_n$  pin, the decay time of the faulted output determines the retry delay. If the natural decay time of the output is too long, it is possible to remove the voltage requirement of the MFR\_RETRY\_DELAY command by asserting bit 0 of MFR\_CHAN\_CONFIG. Alternatively, latched off mode means the controller remains latched-off following a fault and clearing requires user intervention such as toggling RUN $_n$  or commanding the part OFF then ON.

### LIGHT-LOAD CURRENT OPERATION

The LTM4678 has two modes of operation: high efficiency discontinuous conduction mode or forced continuous conduction mode. Mode selection is done using the MFR\_PWM\_MODE command (discontinuous conduction is always the start-up mode, forced continuous is the default running mode).

If a controller is enabled for discontinuous operation, the inductor current is not allowed to reverse. The reverse current comparator's output turns off the bottom MOSFET just before the inductor current reaches zero, preventing it from reversing and going negative.

In forced continuous operation, the inductor current is allowed to reverse at light loads or under large transient conditions. The peak inductor current is determined solely by the voltage on the COMP $_n$  pins. In this mode, the efficiency at light loads is lower than in discontinuous mode operation. However, continuous mode exhibits lower output ripple and less interference with audio circuitry, but may result in reverse inductor current, which can cause the input supply to boost. The VIN\_OV\_FAULT\_LIMIT can detect this and turn off the offending channel. However, this fault is based on an ADC read and can take up to  $t_{CONVERT}$  to detect. If there is a concern about the input supply boosting, keep the part in discontinuous conduction mode.

If the part is set to discontinuous mode operation, as the inductor average current increases, the controller will automatically modify the operation from discontinuous mode to continuous mode.

## OPERATION

### SWITCHING FREQUENCY AND PHASE

The switching frequency of the PWM can be established with an internal oscillator or an external time base. The internal phase-locked loop (PLL) synchronizes the PWM control to this timing reference with proper phase relation, whether the clock is provided internally or externally. The device can also be configured to provide the master clock to other devices through PMBus command, NVM setting, or external configuration resistors as outlined in Table 3.

As clock master, the LTM4678 will drive its open-drain SYNC pin at the selected rate with a pulse width of 500ns. An external pull-up resistor between SYNC and  $V_{DD33}$  is required in this case. Only one device connected to SYNC should be designated to drive the pin. The LTM4678 will automatically revert to an external SYNC input, disabling its own SYNC, as long as the external SYNC frequency is greater than 80% of the programmed SYNC frequency. The external SYNC input shall have a duty cycle between 20% and 80%.

Whether configured to drive SYNC or not, the LTM4678 can continue PWM operation using its own internal oscillator if an external clock signal is subsequently lost.

The device can also be programmed to always require an external oscillator for PWM operation by setting bit 4 of MFR\_CONFIG\_ALL. The status of the SYNC driver circuit is indicated by bit 10 of MFR\_PADS.

The MFR\_PWM\_CONFIG command can be used to configure the phase of each channel. Desired phase can also be set from EEPROM or external configuration resistors as outlined in Table 3. Designated phase is the relationship between the falling edge of SYNC and the internal clock edge that sets the PWM latch to turn on the top power switch. Additional small propagation delays to the PWM control pins will also apply. Both channels must be off before the FREQUENCY\_SWITCH and MFR\_PWM\_CONFIG commands can be written to the LTM4678.

The phase relationships and frequency options provide for numerous application options. Multiple LTM4678 modules can be synchronized to realize a PolyPhase array. In this case the phases should be separated by  $360/n$  degrees, where  $n$  is the number of phases driving the output voltage rail.

### PWM LOOP COMPENSATION

The internal PWM loop compensation resistors  $R_{COMPna}$  of the LTM4678 can be adjusted using bit[4:0] of the MFR\_PWM\_COMP command.

The transconductance (gm) of the LTM4678 PWM error amplifier can be adjusted using bit[7:5] of the MFR\_PWM\_COMP command. These two loop compensation parameters can be programmed when device is in operation. Refer to the Programmable Loop Compensation subsection in the Applications Information section for further details.

### OUTPUT VOLTAGE SENSING

Both channels in LTM4678 have differential amplifiers, which allow the remote sensing of the load voltage between  $V^+$  and  $V^-$  pins. The telemetry ADC is also fully differential and makes measurements between  $V_{OSNSn}^+$  and  $V_{OSNSn}^-$  voltages for both channels at the  $V^+$  and  $V^-$  pins, respectively. The maximum allowed 3.6V, but the LTM4678 design is limited to 3.4V output.

### INTV<sub>CC</sub>/EXTV<sub>CC</sub> POWER

Power for the internal top and bottom MOSFET drivers and most other internal circuitry is derived from the INTV<sub>CC</sub> pin. When the EXTV<sub>CC</sub> pin is shorted to GND or tied to a voltage less than 4.7V, an internal 5.5V linear regulator supplies INTV<sub>CC</sub> power from  $V_{IN}$ . If EXTV<sub>CC</sub> is taken above 4.7V and  $V_{IN}$  is higher than 7.0V, the 5.5V regulator is turned off and an internal switch is turned on, connecting EXTV<sub>CC</sub> to INTV<sub>CC</sub>. Using the EXTV<sub>CC</sub> allows the INTV<sub>CC</sub> power to be derived from a high efficiency external source such as a switching regulator output. EXTV<sub>CC</sub> can provide power to the internal 3.3V linear regulator even when  $V_{IN}$  is not present, which allows the LTM4678 to be initialized and programmed even without main power being applied.

The INTV<sub>CC</sub> regulator is powered from the  $SV_{IN}$  pin, the power through the IC is equal to  $SV_{IN} \cdot I_{INTVCC}$ . The gate charge current is dependent on operating frequency. The INTV<sub>CC</sub> regulator can supply up to 100mA, and the typical INTV<sub>CC</sub> current for the LTM4678 is ~50mA. A 12V input voltage would equate to a difference of 7V drop across the internal controller, when multiplied by 50mA equals a

## OPERATION

350mW power loss. This loss can be eliminated by providing an external 5V bias on the  $EXTV_{CC}$  pin.

Do not tie  $INTV_{CC}$  on the LTM4678 to an external supply because  $INTV_{CC}$  will attempt to pull the external supply high and hit current limit, significantly increasing the die temperature.

For applications where  $V_{IN}$  is 5V, tie the  $V_{IN}$  and  $INTV_{CC}$  pins together to the 5V input through a  $1\Omega$  or  $2.2\Omega$  resistor as shown in Test Circuit 2.

### OUTPUT CURRENT SENSING AND SUB MILLIOHM DCR CURRENT SENSING

The LTM4678 use a unique sub-milliohm inductor current sensing technique that provides a high level signal to noise ratio while sensing very low signals in current mode operation. This enables higher conversion efficiencies with the use of the internal sub-milliohm inductors in heavy load applications. The current limit threshold can be accurately set with the  $MFR\_PWM\_MODE[7]$  for High and Low range (see page 89).

The internal DCR sensing network, thus current limit are calculated based on the DCR of the inductor at room temperature. The DCR of the inductor has a large temperature coefficient, approximately  $3900\text{ppm}/^\circ\text{C}$ . The temperature coefficient of the inductor is written to the  $MFR\_IOUT\_CAL\_GAIN\_TC$  register. The external temperature is sensed near the inductor and used to modify the internal current limit circuit to maintain an essentially constant current limit with temperature. The current sensed is then digitized by the LTM4678's telemetry ADC with an input range of  $\pm 128\text{mV}$ , a noise floor of  $7\mu\text{V}_{\text{RMS}}$ , and a peak-peak noise of approximately  $46.5\mu\text{V}$ . The LTM4678 computes the inductor current using the DCR value stored in the  $IOUT\_CAL\_GAIN$  command and the temperature coefficient stored in command  $MFR\_IOUT\_CAL\_GAIN\_TC$ . The resulting current value is returned by the  $READ\_IOUT$  command.

The LTM4678 power inductors for each channel are on top of the module and the temperature sensors for each channel are down on the substrate near the power stages and the inductor clip. They are about a  $12^\circ\text{C}$  difference at maximum load between the inductors and temperature sensor. This has degraded the output current readback

to  $\pm 5\%$  over temperature. This readback accuracy can be improved by evaluation the LTM4678 in the end system. Evaluating the ambient temperature, airflow, and the difference of the temperature between the GUI and the inductors on top can provide an offset value that can be programmed to improve the output current readback using the  $MFR\_TEMP\_1\_OFFSET$  command.

### INPUT CURRENT SENSING

To sense the total input current consumed by the LTM4678's power stages, a sense resistor is placed between the supply voltage and the drain of the top N-channel MOSFET. The  $I_{IN}^+$  and  $I_{IN}^-$  pins are connected to the sense resistor. The filtered voltage is amplified by the internal high side current sense amplifier and digitized by the LTM4678's telemetry ADC. The input current sense amplifier has three gain settings of 2x, 4x, and 8x set by the bit[3:2] of the  $MFR\_PWM\_MODE$  command. The maximum input sense voltage for the three gain settings is 50mV, 20mV, and 5mV respectively. The LTM4678 computes the input current using the internal  $R_{SENSE}$  value stored in the  $IIN\_CAL\_GAIN$  command. The resulting measured power stage current is returned by the  $READ\_IIN$  command.

The LTM4678 uses a  $1\Omega$  resistor to measure the  $SV_{IN}$  pin supply current being consumed by the LTM4678. This value is returned by the  $MFR\_READ\_ICHIP$  command. The chip current is calculated by using the  $1\Omega$  value stored in the  $MFR\_ICHIP\_CAL\_GAIN$  command. Refer to the subsection titled Input Current Sense Amplifier in the Applications Information section for further details.

### PolyPhase LOAD SHARING

Multiple LTM4678s can be arrayed in order to provide a balanced load-share solution by bussing the necessary pins. Figure 47 illustrates a 4-Phase design sharing connections required for load sharing.

If an external oscillator is not provided, the SYNC pin should only be enabled on one of the LTM4678s. The other(s) should be programmed to disable SYNC using bit 4 of  $MFR\_CONFIG\_ALL$ . If an external oscillator is present, the chip with the SYNC pin enabled will detect the presence of the external clock and disable its output.

## OPERATION

Multiple channels need to tie all the  $V_{OSNSn}^+$  pins together, and all the  $V_{OSNSn}^-$  pins together,  $C_{COMPna}$  and  $C_{COMPnb}$  pins together as well. Do not assert bit[4] of MFR\_CONFIG\_ALL except in a PolyPhase application.

The user must share the SYNC, SHARE\_CLK,  $\overline{FAULT}$ , and  $\overline{ALERT}$  pins of these parts. Be sure to use pull-up resistors on SYNC,  $\overline{FAULT}$ , SHARE\_CLK and  $\overline{ALERT}$ .

### EXTERNAL/INTERNAL TEMPERATURE SENSE

Temperature is measured using the internal diode-connected PNP transistors on either of the TSNS0b or TSNS1b pins corresponding to channel 0 or 1. TSNSnb pins should be connected to their respective TSNSna pins, and these returns are directly connected to the LTM4678 SGND pin. Two different currents are applied to the diode (nominally 2 $\mu$ A and 32 $\mu$ A) and the temperature is calculated from a  $\Delta V_{BE}$  measurement made with the internal 16-bit monitor ADC (see Figure 2 Block Diagram).

The LTM4678 will only implement  $\Delta V_{BE}$  temperature sensing, therefore MFR\_PWM\_MODE bit[5] is reserved.

CH0 and CH1 temperatures can be linked to CH0 only for adjusting the temperature compensated variables, and internal temperature monitoring. This frees up TSNS1a for an external/temperature sensing.

### RCONFIG (RESISTOR CONFIGURATION) PINS

There are six input pins utilizing 1% resistors between these pins and SGND to select key operating parameters. The pins are ASEL, FSWPH\_CFG, VOUT0\_CFG, VOUT1\_CFG, VTRIMO\_CFG, VTRIM1\_CFG. If pins are floated, the value stored in the corresponding NVM command is used. If bit 6 of the MFR\_CONFIG\_ALL configuration command is asserted in NVM, the resistor input is ignored upon power-up except for ASEL which is always respected. The resistor configuration pins are only measured during a power-up reset or after a MFR\_RESET or after a RESTORE\_USER\_ALL command is executed.

The VOUTn\_CFG pin settings are described in Table 1. These pins set the LTM4678  $V_{OUT0}$  and  $V_{OUT1}$  output voltage coarse settings. If the pin is open, the VOUT\_COMMAND command is loaded from NVM to determine the output voltage. The default setting is to have the switcher off unless the voltage configuration pins are installed. The VTRIMn\_CFG pins in Table 2 are used to set the output voltage fine adjustment setting. Both combine to offer several distinct output voltages.

**Table 1. VOUTn\_CFG Pin Strapping Look-Up Table for the LTM4678's Output Voltage, Coarse Setting (Not Applicable if MFR\_CONFIG\_ALL[6] = 1b)**

$R_{VOUTn\_CFG}^*$ (k $\Omega$ )	$V_{OUTn}$ (V) SETTING COARSE	MFR_PWM_MODE[n][1] BIT
Open	NVM	NVM
32.4	NVM	NVM
22.6	3.3	0
18.0	3.1	0
15.4	2.9	0
12.7	2.7	0
10.7	2.5	0, if $V_{TRIMn} > 0mV$ 1, if $V_{TRIMn} \leq 0mV$
9.09	2.3	1
7.68	2.1	1
6.34	1.9	1
5.23	1.7	1
4.22	1.5	1
3.24	1.3	1
2.43	1.1	1
1.65	0.9	1
0.787	0.7	1
0	0.5	1

\* $R_{VOUTn\_CFG}$  value indicated is nominal. Select  $R_{VOUTn\_CFG}$  from a resistor vendor such that its value is always within 3% of the value indicated in the table. Take into account resistor initial tolerance, T.C.R. and resistor operating temperatures, soldering heat/IR reflow, and endurance of the resistor over its lifetime. Thermal shock/cycling, moisture (humidity) and other effects (depending on one's specific application) could also affect  $R_{VOUTn\_CFG}$ 's value over time. All such effects must be taken into account in order for resistor pin strapping to yield the expected result at every  $SV_{IN}$  power-up and/or every execution of MFR\_RESET or RESTORE\_USER\_ALL, over the lifetime of one's product.

## OPERATION

**Table 2. VTRIMn\_CFG Pin Strapping Look-Up Table for the LTM4678's Output Voltage, Fine Adjustment Setting (Not Applicable if MFR\_CONFIG\_ALL[6] = 1b)**

R <sub>VTRIMn_CFG</sub> * (kΩ)	V <sub>TRIM</sub> (mV) FINE ADJUSTMENT TO V <sub>OUTn</sub> SETTING WHEN RESPECTIVE
Open	0
32.4	99
22.6	86.625
18.0	74.25
15.4	61.875
12.7	49.5
10.7	37.125
9.09	24.75
7.68	12.375
6.34	-12.375
5.23	-24.75
4.22	-37.125
3.24	-49.5
2.43	-61.875
1.65	-74.25
0.787	-86.625
0	-99

\*R<sub>VTRIMn\_CFG</sub> value indicated is nominal. Select R<sub>VTRIMn\_CFG</sub> from a resistor vendor such that its value is always within 3% of the value indicated in the table. Take into account resistor initial tolerance, T.C.R. and resistor operating temperatures, soldering heat/IR reflow, and endurance of the resistor over its lifetime. Thermal shock/cycling, moisture (humidity) and other effects (depending on one's specific application) could also affect R<sub>VTRIMn\_CFG</sub>'s value over time. All such effects must be taken into account in order for resistor pin strapping to yield the expected result at every S<sub>VIN</sub> power-up and/or every execution of MFR\_RESET, or RESTORE\_USER\_ALL over the lifetime of one's product.

The following parameters are set as a percentage of the output voltage if the RCONFIG pins are used to determine the output voltage:

- VOUT\_OV\_FAULT\_LIMIT .....+10%
- VOUT\_OV\_WARN\_LIMIT .....+75%
- VOUT\_MAX.....+75%
- VOUT\_MARGIN\_HIGH .....+5%
- VOUT\_MARGIN\_LOW.....-5%
- VOUT\_UV\_FAULT\_LIMIT .....-7%

The FSWPH\_CFG pin settings are described in Table 3. This pin selects the switching frequency and phase of each channel. The phase relationships between the two channels and SYNC pin are determined in Table 3. To synchronize to an external clock, the part should be put into external clock mode (SYNC output disabled but frequency set to the nominal value). If no external clock is supplied, the part will clock at the programmed frequency. If the application is multiphase and the SYNC signal between chips is lost, the parts will not operate at the designed phase even if they are programmed and trimmed to the same frequency.

This may increase the ripple voltage on the output, possibly produce undesirable operation. If the external SYNC signal is being generated internally and external SYNC is not selected, bit 10 of MFR\_PADS will be asserted. If no frequency is selected and the external SYNC frequency is not present, a PLL\_FAULT will occur. If the user does not wish to see the  $\overline{\text{ALERT}}$  from a PLL\_FAULT even if there is not a valid synchronization signal at power-up, the  $\overline{\text{ALERT}}$  mask for PLL\_FAULT must be written. See the description on SMBALERT\_MASK for more details. If the SYNC pin is connected between multiple ICs only one of the ICs should have the SYNC pin enabled using the MFR\_CONFIG\_ALL[4] =1, and all other ICs should be configured to have the SYNC pin disabled with MFR\_CONFIG\_ALL[4] =0.

The ASEL pin settings are described in Table 4. ASEL selects slave address for the LTM4678. For more detail, refer to Table 5.

**NOTE:** Per the PMBus specification, pin programmed parameters can be overridden by commands from the digital interface with the exception of ASEL which is always honored. Do not set any part address to 0x5A or 0x5B because these are global addresses and all parts will respond to them.

## OPERATION

**Table 3. FSWPH\_CFG Pin Strapping Look-Up Table to Set the LTM4678's Switching Frequency and Channel Phase-Interleaving Angle (Not Applicable if MFR\_CONFIG\_ALL[6] = 1b)**

R <sub>FSWPH_CFG</sub> * (k $\Omega$ )	SWITCHING FREQUENCY (kHz)	$\theta$ SYNC TO $\theta$ 0	$\theta$ SYNC TO $\theta$ 1	bits [2:0] of MFR_ PWM_CONFIG	bit [4] of MFR_ CONFIG_ALL
Open	NVM; LTM4678 Default = 350	NVM; LTM4678 Default = 0°	NVM; LTM4678 Default = 180°	NVM; LTM4678 Default = 000b	NVM; LTM4678 Default = 0b
32.4	250	0°	180°	000b	0b
22.6	350	0°	180°	000b	0b
18.0	425	0°	180°	000b	0b
15.4	575	0°	180°	000b	0b
12.7	650	0°	180°	000b	0b
10.7	750	0°	180°	000b	0b
7.68	500	120°	240°	100b	0b
6.34	500	90°	270°	001b	0b
5.23	External**	0°	240°	010b	1b
4.22	External**	0°	120°	011b	1b
3.24	External**	60°	240°	101b	1b
2.43	External**	120°	300°	110b	1b
1.65	External**	90°	270°	001b	1b
0.787	External**	0°	180°	000b	1b
0	External**	120°	240°	100b	1b

\*R<sub>FSWPH\_CFG</sub> value indicated is nominal. Select R<sub>FSWPH\_CFG</sub> from a resistor vendor such that its value is always within 3% of the value indicated in the table. Take into account resistor initial tolerance, T.C.R. and resistor operating temperatures, soldering heat/IR reflow, and endurance of the resistor over its lifetime. Thermal shock/cycling, moisture (humidity) and other effects (depending on one's specific application) could also affect R<sub>FSWPH\_CFG</sub>'s value over time. All such effects must be taken into account in order for resistor pin-strapping to yield the expected result at every SV<sub>IN</sub> power-up and/or every execution of MFR\_RESET or RESTORE\_USER\_ALL, over the lifetime of one's product.

\*\*External setting corresponds to FREQUENCY\_SWITCH (Register 0x33) value set to 0x0000; the device synchronizes its switching frequency to that of the clock provided on the SYNC pin, provided MFR\_CONFIG\_ALL[4] = 1b.

## OPERATION

**Table 4. ASEL Pin Strapping Look-Up Table to Set the LTM4678's Slave Address (Applicable Regardless of MFR\_CONFIG\_ALL[6] Setting)**

R <sub>ASEL</sub> * (kΩ)	SLAVE ADDRESS
Open	100_1111_R/W
32.4	100_1111_R/W
22.6	100_1110_R/W
18.0	100_1101_R/W
15.4	100_1100_R/W
12.7	100_1011_R/W
10.7	100_1010_R/W
9.09	100_1001_R/W
7.68	100_1000_R/W
6.34	100_0111_R/W
5.23	100_0110_R/W
4.22	100_0101_R/W
3.24	100_0100_R/W
2.43	100_0011_R/W
1.65	100_0010_R/W
0.787	100_0001_R/W
0	100_0000_R/W

Where:

R/W = Read/Write bit in control byte

All PMBus device addresses listed in the specification are 7 bits wide unless otherwise noted.

**Note:** The LTM4678 will always respond to slave address 0x5A and 0x5B regardless of the NVM or ASEL resistor configuration values.

\*R<sub>CFG</sub> value indicated is nominal. Select R<sub>CFG</sub> from a resistor vendor such that its value is always within 3% of the value indicated in the table. Take into account resistor initial tolerance, T.C.R. and resistor operating temperatures, soldering heat/IR reflow, and endurance of the resistor over its lifetime. Thermal shock cycling, moisture (humidity) and other effects (depending on one's specific application) could also affect R<sub>CFG</sub>'s value over time. All such effects must be taken into account in order for resistor pin-strapping to yield the expected result at every SV<sub>IN</sub> power-up and/or every execution of MFR\_RESET or RESTORE\_USER\_ALL, over the lifetime of one's product.

**Table 5. LTM4678 MFR\_ADDRESS Command Examples Expressed in 7- and 8-Bit Addressing**

DESCRIPTION	HEX DEVICE ADDRESS		BIT								R/W
	7-BIT	8-BIT	7	6	5	4	3	2	1	0	
Rail <sup>4</sup>	0x5A	0xB4	0	1	0	1	1	0	1	0	0
Global <sup>4</sup>	0x5B	0xB6	0	1	0	1	1	0	1	1	0
Default	0x4F	0x9E	0	1	0	0	1	1	1	1	0
Example 1	0x40	0x80	0	1	0	0	0	0	0	0	0
Example 2	0x41	0x82	0	1	0	0	0	0	0	1	0
Disabled <sup>2,3</sup>			1	0	0	0	0	0	0	0	0

**Note 1:** This table can be applied to the MFR\_RAIL\_ADDRESS<sub>n</sub> commands, but not the MFR\_ADDRESS command.

**Note 2:** A disabled value in one command does not disable the device, nor does it disable the global address.

**Note 3:** A disabled value in one command does not inhibit the device from responding to device addresses specified in other commands.

**Note 4:** It is not recommended to write the value 0x00, 0x0C (7-bit), 0x5A (7-bit), 0x5B (7-bit) or 0x7C(7-bit) to the MFR\_CHANNEL\_ADDRESS<sub>n</sub> or the MFR\_RAIL\_ADDRESS<sub>n</sub> commands.

## FAULT DETECTION AND HANDLING

A variety of fault and warning reporting and handling mechanisms are available. Fault and warning detection capabilities include:

- Input OV  $\overline{\text{FAULT}}$  Protection and UV Warning
- Average Input OC Warn
- Output OV/UV Fault and Warn Protection
- Output OC Fault and Warn Protection
- Internal control Die and Internal Module Overtemperature Fault and Warn Protection
- Internal Undertemperature Fault and Warn Protection
- CML Fault (Communication, Memory or Logic)
- External Fault Detection via the Bidirectional  $\overline{\text{FAULT}}_n$  Pins

In addition, the LTM4678 can map any combination of fault indicators to their respective  $\overline{\text{FAULT}}_n$  pin using the propagate  $\overline{\text{FAULT}}_n$  response commands, MFR\_FAULT\_PROPAGATE. Typical usage of a  $\overline{\text{FAULT}}_n$  pin is as a driver



## OPERATION

for an external crowbar device, overtemperature alert, over-voltage alert or as an interrupt to cause a microcontroller to poll the fault commands. Alternatively, the  $\overline{\text{FAULT}}_n$  pins can be used as inputs to detect external faults downstream of the controller that require an immediate response.

Any fault or warning event will always cause the  $\overline{\text{ALERT}}$  pin to assert low unless the fault or warning is masked by the `SMBALERT_MASK`. The pin will remain asserted low until the `CLEAR_FAULTS` command is issued, the fault bit is written to a 1 or bias power is cycled or a `MFR_RESET` command is issued, or the `RUN` pins are toggled OFF/ON or the part is commanded OFF/ON via PMBus or an ARA command operation is performed. The `MFR_FAULT_PROPAGATE` command determines if the  $\overline{\text{FAULT}}$  pins are pulled low when a fault is detected.

Output and input fault event handling is controlled by the corresponding fault response byte as specified in Table 14 thru Table 18. Shutdown recovery from these types of faults can either be autonomous or latched. For autonomous recovery, the faults are not latched, so if the fault conditions not present after the retry interval has elapsed, a new soft-start is attempted.

If the fault persists, the controller will continue to retry. The retry interval is specified by the `MFR_RETRY_DELAY` command and prevents damage to the regulator components by repetitive power cycling, assuming the fault condition itself is not immediately destructive. The `MFR_RETRY_DELAY` must be greater than 120ms. It can not exceed 83.88 seconds.

### Status Registers and $\overline{\text{ALERT}}$ Masking

Figure 5 summarizes the internal LTM4678 status registers accessible by PMBus command. These contain indication of various faults, warnings and other important operating conditions. As shown, the `STATUS_BYTE` and `STATUS_WORD` commands also summarize contents of other status registers. Refer to PMBus Command Details for specific information.

NONE OF THE ABOVE in the `STATUS_BYTE` indicates that one or more of the bits in the most-significant nibble of `STATUS_WORD` are also set.

In general, any asserted bit in a `STATUS_x` register also pulls the  $\overline{\text{ALERT}}$  pin low. Once set,  $\overline{\text{ALERT}}$  will remain low until one of the following occurs.

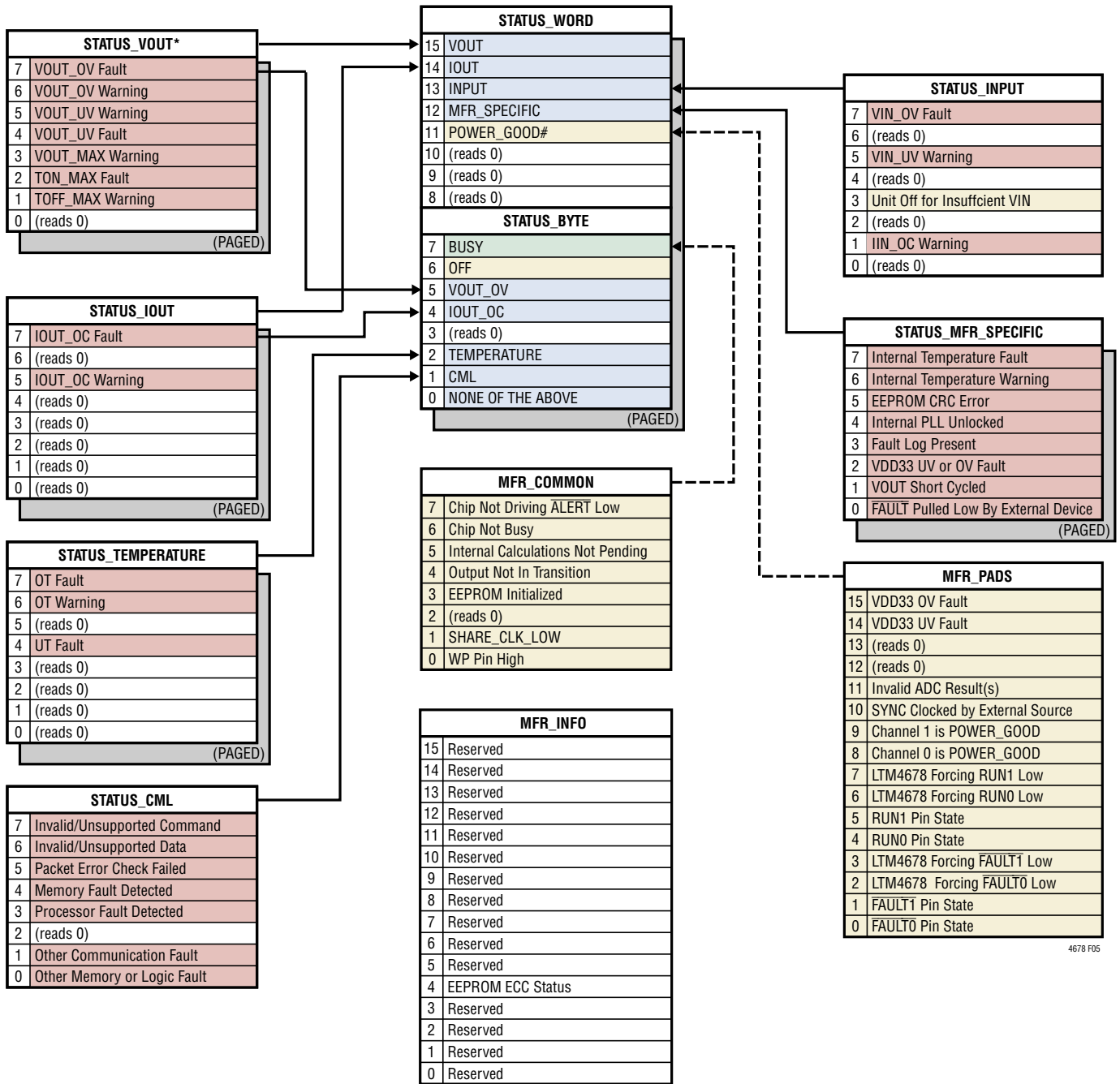
- `ACLEAR_FAULTS` or `MFR_RESET` Command Is Issued
- The Related Status Bit Is Written to a One
- The Faulted Channel Is Properly Commanded Off and Back On
- The LTM4678 Successfully Transmits Its Address During a PMBus ARA
- Bias Power Is Cycled

With some exceptions, the `SMBALERT_MASK` command can be used to prevent the LTM4678 from asserting  $\overline{\text{ALERT}}$  for bits in these registers on a bit-by-bit basis. These mask settings are promoted to `STATUS_WORD` and `STATUS_BYTE` in the same fashion as the status bits themselves. For example, if  $\overline{\text{ALERT}}$  is masked for all bits in channel 0 `STATUS_VOUT`, then  $\overline{\text{ALERT}}$  is effectively masked for the  $V_{\text{OUT}}$  bit in `STATUS_WORD` for PAGE 0. The `BUSY` bit in `STATUS_BYTE` also asserts  $\overline{\text{ALERT}}$  low and cannot be masked. This bit can be set as a result of various internal interactions with PMBus communication. This fault occurs when a command is received that cannot be safely executed with one or both channels enabled. As discussed in the Applications Information, `BUSY` faults can be avoided by polling `MFR_COMMON` before executing some commands.

If masked faults occur immediately after power up,  $\overline{\text{ALERT}}$  may still be pulled low because there has not been time to retrieve all of the programmed masking information from EEPROM.

Status information contained in `MFR_COMMON` and `MFR_PADS` can be used to further debug or clarify the contents of `STATUS_BYTE` or `STATUS_WORD` as shown, but the contents of these registers do not affect the state of the  $\overline{\text{ALERT}}$  pin and may not directly influence bits in `STATUS_BYTE` or `STATUS_WORD`.

OPERATION



4678 F05

DESCRIPTION	MASKABLE	GENERATES ALERT	BIT CLEARABLE
General Fault or Warning Event	Yes	Yes	Yes
General Non-Maskable Event	No	Yes	Yes
Dynamic	No	No	No
Status Derived from Other Bits	No	Not Directly	No

Figure 5. LTM4678 Status Register Summary

## OPERATION

### Mapping Faults to $\overline{\text{FAULT}}_n$ Pins

Channel-to-channel fault (including channels from multiple LTM4678s) dependencies can be created by connecting  $\overline{\text{FAULT}}_n$  pins together. In the event of an internal fault, one or more of the channels is configured to pull the bussed  $\overline{\text{FAULT}}_n$  pins low. The other channels are then configured to shut down when the  $\overline{\text{FAULT}}_n$  pins are pulled low. For autonomous group retry, the faulted channel is configured to let go of the  $\overline{\text{FAULT}}_n$  pin(s) after a retry interval, assuming the original fault has cleared. All the channels in the group then begin a soft-start sequence. If the fault response is LATCH\_OFF, the  $\overline{\text{FAULT}}_n$  pin remains asserted low until either the RUN pin is toggled OFF/ON or the part is commanded OFF/ON. The toggling of the RUN either by the pin or OFF/ON command will clear faults associated with the channel. If it is desired to have all faults cleared when either RUN pin is toggled or, set bit 0 of MFR\_CONFIG\_ALL to a 1.

The status of all faults and warnings is summarized in the STATUS\_WORD and STATUS\_BYTE commands.

Additional fault detection and handling capabilities are:

### Power Good Pins

The PGOOD $_n$  pins of the LTM4678 are connected to the open drains of internal MOSFETs. The MOSFETs turn on and pull the PGOOD $_n$  pins low when the channel output voltage is not within the channel's UV and OV voltage thresholds. During TON\_DELAY and TON\_RISE sequencing, the PGOOD $_n$  pin is held low. The PGOOD $_n$  pin is also pulled low when the respective RUN $_n$  pin is low. The PGOOD $_n$  pin response is deglitched by an internal 60 $\mu$ s digital filter. The PGOOD $_n$  pin and PGOOD status may be different at times due to communication latency of up to 10 $\mu$ s.

### CRC Protection

The integrity of the NVM memory is checked after a power on reset. A CRC error will prevent the controller from leaving the inactive state. If a CRC error occurs, the CML bit is set in the STATUS\_BYTE and STATUS\_WORD commands, the appropriate bit is set in the STATUS\_MFR\_SPECIFIC command, and the  $\overline{\text{ALERT}}$  pin will be pulled low. NVM

repair can be attempted by writing the desired configuration to the controller and executing a STORE\_USER\_ALL command followed by a CLEAR\_FAULTS command.

The LTM4678 manufacturing section of the NVM is mirrored. If both copies are corrupted, the "NVM CRC Fault" in the STATUS\_MFR\_SPECIFIC command is set. If this bit remains set after being cleared by issuing a CLEAR\_FAULTS or writing a 1 to this bit, an irrecoverable internal fault has occurred. The user is cautioned to disable both output power supply rails associated with this specific part. There are no provisions for field repair of NVM faults in the manufacturing section.

### SERIAL INTERFACE

The LTM4678 serial interface is a PMBus compliant slave device and can operate at any frequency between 10kHz and 400kHz. The address is configurable using either the NVM or an external resistor. In addition the LTM4678 always responds to the global broadcast address of 0x5A (7-bit) or 0x5B (7-bit).

The serial interface supports the following protocols defined in the PMBus specifications: 1) send command, 2) write byte, 3) write word, 4) group, 5) read byte, 6) read word and 7) read block. 8) write block. All read operations will return a valid PEC if the PMBus master requests it. If the PEC\_REQUIRED bit is set in the MFR\_CONFIG\_ALL command, the PMBus write operations will not be acted upon until a valid PEC has been received by the LTM4678.

### Communication Protection

PEC write errors (if PEC\_REQUIRED is active), attempts to access unsupported commands, or writing invalid data to supported commands will result in a CML fault. The CML bit is set in the STATUS\_BYTE and STATUS\_WORD commands, the appropriate bit is set in the STATUS\_CML command, and the  $\overline{\text{ALERT}}$  pin is pulled low.

### DEVICE ADDRESSING

The LTM4678 offers five different types of addressing over the PMBus interface, specifically: 1) global, 2) device, 3) rail addressing and 4) alert response address (ARA).

## OPERATION

Global addressing provides a means of the PMBus master to address all LTM4678 devices on the bus. The LTM4678 global address is fixed 0x5A (7-bit) or 0xB4 (8-bit) and cannot be disabled. Commands sent to the global address act the same as if PAGE is set to a value of 0xFF. Commands sent are written to both channels simultaneously. Global command 0x5B (7-bit) or 0xB6 (8-bit) is paged and allows channel specific command of all LTM4678 devices on the bus. Other ADI device types may respond at one or both of these global addresses. Reading from global addresses is strongly discouraged.

Device addressing provides the standard means of the PMBus master communicating with a single instance of an LTM4678. The value of the device address is set by a combination of the ASEL configuration pin and the MFR\_ADDRESS command. When this addressing means is used, the PAGE command determines the channel being acted upon. Device addressing can be disabled by writing a value of 0x80 to the MFR\_ADDRESS.

Rail addressing provides a means for the bus master to simultaneously communicate with all channels connected together to produce a single output voltage (PolyPhase). While similar to global addressing, the rail address can be dynamically assigned with the paged MFR\_RAIL\_ADDRESS command, allowing for any logical grouping of channels that might be required for reliable system control. Reading from rail addresses is also strongly discouraged.

All four means of PMBus addressing require the user to employ disciplined planning to avoid addressing conflicts. Communication to LTM4678 devices at global and rail addresses should be limited to command write operations.

### RESPONSES TO $V_{OUT}$ AND $I_{IN}/I_{OUT}$ FAULTS

$V_{OUT}$  OV and UV conditions are monitored by comparators. The OV and UV limits are set in three ways:

- As a Percentage of the  $V_{OUT}$  if Using the Resistor Configuration Pins
- In NVM if Either Programmed at the Factory or Through the GUI
- By PMBus Command

The  $I_{IN}$  and  $I_{OUT}$  overcurrent monitors are performed by ADC readings and calculations. Thus these values are based on average currents and can have a time latency of up to  $t_{CONVERT}$ . The  $I_{OUT}$  calculation accounts for the DCR and their temperature coefficient. The input current is equal to the voltage measured across the  $R_{SENSE}$  resistor divided by the resistors value as set with the MFR\_RVIN command. If this calculated input current exceeds the  $I_{IN\_OC\_WARN\_LIMIT}$  the  $\overline{ALERT}$  pin is pulled low and the  $I_{IN\_OC\_WARN}$  bit is asserted in the STATUS\_INPUT command.

The digital processor within the LTM4678 provides the ability to ignore the fault, shut down and latch off or shut down and retry indefinitely (hiccup). The retry interval is set in MFR\_RETRY\_DELAY and can be from 120ms to 83.88 seconds in 1ms increments. The shutdown for OV/UV and OC can be done immediately or after a user selectable deglitch time.

### Output Overvoltage Fault Response

A programmable overvoltage comparator (OV) guards against transient overshoots as well as long-term overvoltages at the output. In such cases, the top MOSFET is turned off and the bottom MOSFET is turned on. However, the reverse output current is monitored while device is in OV fault. When it reaches the limit, both top and bottom MOSFETs are turned off. The top and bottom MOSFETs will keep their state until the overvoltage condition is cleared regardless of the PMBus  $V_{OUT\_OV\_FAULT\_RESPONSE}$  command byte value. This hardware level fault response delay is typically 2 $\mu$ s from the overvoltage condition to BG asserted high. Using the  $V_{OUT\_OV\_FAULT\_RESPONSE}$  command, the user can select any of the following behaviors:

- OV Pull-Down Only (OV Cannot Be Ignored)
- Shut Down (Stop Switching) Immediately—Latch Off
- Shut Down Immediately—Retry Indefinitely at the Time Interval Specified in MFR\_RETRY\_DELAY

Either the Latch Off or Retry fault responses can be deglitched in increments of (0-7) • 10 $\mu$ s. See Table 14.

## OPERATION

### Output Undervoltage Response

The response to an undervoltage comparator output can be the following:

- Ignore
- Shut Down Immediately—Latch Off
- Shut Down Immediately—Retry Indefinitely at the Time Interval Specified in MFR\_RETRY\_DELAY.

The UV responses can be deglitched. See Table 15.

### Peak Output Overcurrent Fault Response

Due to the current mode control algorithm, peak output current across the inductor is always limited on a cycle-by-cycle basis. The value of the peak current limit is specified in Electrical Characteristics table. The current limit circuit operates by limiting the COMP $n$  maximum voltage. Since internal DCR sensing is used, the COMP $n$  maximum voltage has a temperature dependency directly proportional to the TC of the DCR of the inductor. The LTM4678 automatically monitors the external temperature sensors and modifies the maximum allowed COMP $n$  to compensate for this term. The IOUT\_OC\_FAULT\_LIMIT section provides data points for IOUT Limiting on page 89.

The overcurrent fault processing circuitry can execute the following behaviors:

- Current Limit Indefinitely
- Shut Down Immediately—Latch Off
- Shut Down Immediately—Retry Indefinitely at the Time Interval Specified in MFR\_RETRY\_DELAY.

The overcurrent responses can be deglitched in increments of (0-7) • 16ms. See Table 16.

### RESPONSES TO TIMING FAULTS

TON\_MAX\_FAULT\_LIMIT is the time allowed for V<sub>OUT</sub> to rise and settle at start-up. The TON\_MAX\_FAULT\_LIMIT condition is predicated upon detection of the VOUT\_UV\_FAULT\_LIMIT as the output is undergoing a SOFT\_START sequence. The TON\_MAX\_FAULT\_LIMIT time is started after TON\_DELAY has been reached and a SOFT\_START

sequence is started. The resolution of the TON\_MAX\_FAULT\_LIMIT is 10 $\mu$ s. If the VOUT\_UV\_FAULT\_LIMIT is not reached within the TON\_MAX\_FAULT\_LIMIT time, the response of this fault is determined by the value of the TON\_MAX\_FAULT\_RESPONSE command value. This response may be one of the following:

- Ignore
- Shut Down (Stop Switching) Immediately—Latch Off
- Shut Down Immediately—Retry Indefinitely at the Time Interval Specified in MFR\_RETRY\_DELAY.

This fault response is not deglitched. A value of 0 in TON\_MAX\_FAULT\_LIMIT means the fault is ignored. The TON\_MAX\_FAULT\_LIMIT should be set longer than the TON\_RISE time. It is recommended TON\_MAX\_FAULT\_LIMIT always be set to a non-zero value, otherwise the output may never come up and no flag will be set to the user. See Table 18.

### RESPONSES TO V<sub>IN</sub> OV FAULTS

V<sub>IN</sub> overvoltage is measured with the ADC. The response is naturally deglitched by the 100ms typical response time of the ADC. The fault responses are:

- Ignore
- Shut Down Immediately—Latch Off
- Shut Down Immediately—Retry Indefinitely at the Time Interval Specified in MFR\_RETRY\_DELAY. See Table 18.

### RESPONSES TO OT/UT FAULTS

#### Internal Overtemperature Fault Response

An internal temperature sensor protects against NVM damage. Above 85°C, no writes to NVM are recommended. Above 130°C, the internal overtemperature warn threshold is exceeded and the part disables the NVM and does not re-enable until the temperature has dropped to 125°C. When the die temperature exceed 160°C the internal temperature fault response is enabled and the PWM is disabled until the die temperature drops below 150°C. Temperature is measured by the ADC. Internal temperature faults cannot

## OPERATION

be ignored. Internal temperature limits cannot be adjusted by the user. See Table 17.

### External Overtemperature and Undertemperature Fault Response

Two internal temperature sensors are used to sense the temperature of critical circuit elements like inductors and power MOSFETs on each channel. The OT\_FAULT\_RESPONSE and UT\_FAULT\_RESPONSE commands are used to determine the appropriate response to an overtemperature and under temperature condition, respectively. If no external sense elements are used (not recommended) set the UT\_FAULT\_RESPONSE to ignore—and set the UT\_FAULT\_LIMIT to 275°C. The fault responses are:

- Ignore
- Shut Down Immediately—Latch Off
- Shut Down Immediately—Retry Indefinitely at the Time Interval Specified in MFR\_RETRY\_DELAY. See Table 18.

### RESPONSES TO INPUT OVERCURRENT AND OUTPUT UNDERCURRENT FAULTS

Input overcurrent and output undercurrent are measured with the ADC. The fault responses are:

- Ignore
- Shut Down Immediately—Latch Off
- Shut Down Immediately—Retry Indefinitely at the Time Interval Specified in MFR\_RETRY\_DELAY.

### RESPONSES TO EXTERNAL FAULTS

When either  $\overline{\text{FAULT}}_n$  pin is pulled low, the OTHER bit is set in the STATUS\_WORD command, the appropriate bit is set in the STATUS\_MFR\_SPECIFIC command, and the  $\overline{\text{ALERT}}$  pin is pulled low. Responses are not deglitched. Each channel can be configured to ignore or shut down then retry in response to its  $\overline{\text{FAULT}}_n$  pin going low by modifying the MFR\_FAULT\_RESPONSE command. To avoid the  $\overline{\text{ALERT}}$  pin asserting low when FAULT is pulled low, assert bit 1 of MFR\_CHAN\_CONFIG, or mask the ALERT using the SMBALERT\_MASK command.

### FAULT LOGGING

The LTM4678 has fault logging capability. Data is logged into memory in the order shown in Table 19. The data is stored in a continuously updated buffer in RAM. When a fault event occurs, the fault log buffer is copied from the RAM buffer into NVM. Fault logging is allowed at temperatures above 85°C; however, retention of 10 years is not guaranteed. When the die temperature exceeds 130°C the fault logging is delayed until the die temperature drops below 125°C. The fault log data remains in NVM until a MFR\_FAULT\_LOG\_CLEAR command is issued. Issuing this command re-enables the fault log feature. Before re-enabling fault log, be sure no faults are present and a CLEAR\_FAULTS command has been issued.

When the LTM4678 powers-up or exits its reset state, it checks the NVM for a valid fault log. If a valid fault log exists in NVM, the “Valid Fault Log” bit in the STATUS\_MFR\_SPECIFIC command will be set and an  $\overline{\text{ALERT}}$  event will be generated. Also, fault logging will be blocked until the LTM4678 has received a MFR\_FAULT\_LOG\_CLEAR command before fault logging will be re-enabled.

The information is stored in EEPROM in the event of any fault that disables the controller on either channel. A  $\overline{\text{FAULT}}_n$  being externally pulled low will not trigger a fault logging event.

### BUS TIMEOUT PROTECTION

The LTM4678 implements a timeout feature to avoid persistent faults on the serial interface. The data packet timer begins at the first START event before the device address write byte. Data packet information must be completed within 30ms or the LTM4678 will three-state the bus and ignore the given data packet. If more time is required, assert bit 3 of MFR\_CONFIG\_ALL to allow typical bus timeouts of 255ms. Data packet information includes the device address byte write, command byte, repeat start event (if a read operation), device address byte read (if a read operation), all data bytes and the PEC byte if applicable.

The LTM4678 allows longer PMBus timeouts for block read data packets. This timeout is proportional to the length of the block read. The additional block read timeout applies

## OPERATION

primarily to the MFR\_FAULT\_LOG command. The timeout period defaults to 32ms.

The user is encouraged to use as high a clock rate as possible to maintain efficient data packet transfer between all devices sharing the serial bus interface. The LTM4678 supports the full PMBus frequency range from 10kHz to 400kHz.

### SIMILARITY BETWEEN PMBus, SMBus AND I<sup>2</sup>C 2-WIRE INTERFACE

The PMBus 2-wire interface is an incremental extension of the SMBus. SMBus is built upon I<sup>2</sup>C with some minor differences in timing, DC parameters and protocol. The PMBus/SMBus protocols are more robust than simple I<sup>2</sup>C byte commands because PMBus/SMBus provide timeouts to prevent persistent bus errors and optional packet error checking (PEC) to ensure data integrity. In general, a master device that can be configured for I<sup>2</sup>C communication can be used for PMBus communication with little or no change to hardware or firmware. Repeat start (restart) is not supported by all I<sup>2</sup>C controllers but is required for SMBus/PMBus reads. If a general purpose I<sup>2</sup>C controller is used, check that repeat start is supported.

The LTM4678 supports the maximum SMBus clock speed of 100kHz and is compatible with the higher speed PMBus specification (between 100kHz and 400kHz) if MFR\_COMMON polling or clock stretching is enabled. For robust communication and operation refer to the Note section in the PMBus Command Summary. Clock stretching is enabled by asserting bit 1 of MFR\_CONFIG\_ALL.

For a description of the minor extensions and exceptions PMBus makes to SMBus, refer to PMBus Specification Part 1 Revision 1.2: Paragraph 5: Transport.

For a description of the differences between SMBus and I<sup>2</sup>C, refer to System Management Bus (SMBus) Specification Version 2.0: Appendix B—Differences Between SMBus and I<sup>2</sup>C.

### PMBus SERIAL DIGITAL INTERFACE

The LTM4678 communicates with a host (master) using the standard PMBus serial bus interface. The Timing Diagram, Figure 6, shows the timing relationship of the signals on the bus. The two-bus lines, SDA and SCL, must be high when the bus is not in use. External pull-up resistors or current sources are required on these lines. The LTM4678 is a slave device. The master can communicate with the LTM4678 using the following formats:

- Master Transmitter, Slave Receiver
- Master Receiver, Slave Transmitter

The following PMBus protocols are supported:

- Write Byte, Write Word, Send Byte
- Read Byte, Read Word, Block Read, Block Write
- Alert Response Address

Figure 7 to Figure 24 illustrate the aforementioned PMBus protocols. All transactions support PEC and GCP (group command protocol). The Block Read supports 255 bytes of returned data. For this reason, the PMBus timeout may be extended when reading the fault log.

Figure 7 is a key to the protocol diagrams in this section. PEC is optional.

A value shown below a field in the following figures is mandatory value for that field.

The data formats implemented by PMBus are:

- Master transmitter transmits to slave receiver. The transfer direction in this case is not changed.
- Master reads slave immediately after the first byte. At the moment of the first acknowledgment (provided by the slave receiver) the master transmitter becomes a master receiver and the slave receiver becomes a slave transmitter.
- Combined format. During a change of direction within a transfer, the master repeats both a start condition and the slave address but with the R/W bit reversed. In this case, the master receiver terminates the transfer by generating a NACK on the last byte of the transfer and a STOP condition.

## OPERATION

Refer to Figure 7 for a legend.

Handshaking features are included to ensure robust system communication. Please refer to the PMBus Communication and Command Processing subsection of the Applications Information section for further details.

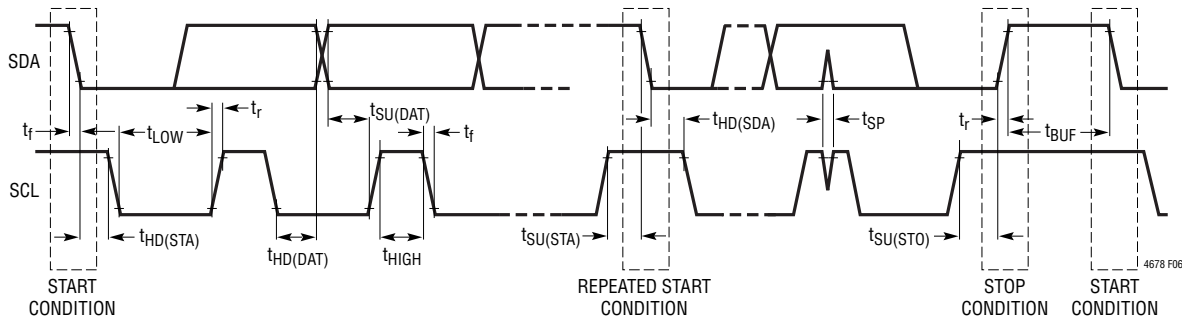


Figure 6. PMBus Timing Diagram

Table 6. Abbreviations of Supported Data Formats

	PMBus		ADI TERMINOLOGY	DEFINITION	EXAMPLE
	TERMINOLOGY	SPECIFICATION REFERENCE			
L11	Linear	Part II ¶7.1	Linear_5s_11s	Floating point 16-bit data: value = $Y \cdot 2^N$ , where $N = b[15:11]$ and $Y = b[10:0]$ , both two's complement binary integers	$b[15:0] = 0x9807 = 10011\_000\_0000\_0111$ value = $7 \cdot 2^{-13} = 854E-6$
L16	Linear VOUT_MODE	Part II ¶8.2	Linear_16u	Floating point 16-bit data: value = $Y \cdot 2^{-12}$ , where $Y = b[15:0]$ , an unsigned integer	$b[15:0] = 0x4C00 = 0100\_1100\_0000\_0000$ value = $19456 \cdot 2^{-12} = 4.75$
CF	DIRECT	Part II ¶7.2	Varies	16-bit data with a custom format defined in the detailed PMBus command description	Often an unsigned or two's complement integer
Reg	Register Bits	Part II ¶10.3	Reg	Per-bit meaning defined in detailed PMBus command description	PMBus STATUS_BYTE command
ASC	Text Characters	Part II ¶22.2.1	ASCII	ISO/IEC 8859-1 [A05]	ADI (0x4C5443)



# OPERATION

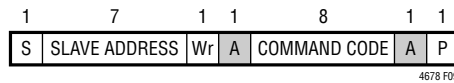
## Figure 7 to Figure 24 PMBus Protocols

- S START CONDITION
- Sr REPEATED START CONDITION
- Rd READ (BIT VALUE OF 1)
- Wr WRITE (BIT VALUE OF 0)
- A ACKNOWLEDGE (THIS BIT POSITION MAY BE 0 FOR AN ACK OR 1 FOR A NACK)
- P STOP CONDITION
- PEC PACKET ERROR CODE
- MASTER TO SLAVE
- SLAVE TO MASTER
- ... CONTINUATION OF PROTOCOL 4678 F07

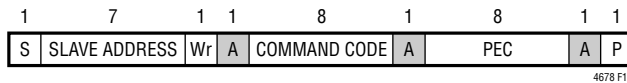
**Figure 7. PMBus Packet Protocol Diagram Element Key**



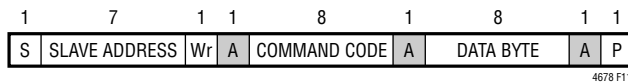
**Figure 8. Quick Command Protocol**



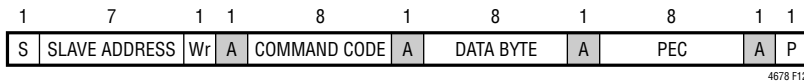
**Figure 9. Send Byte Protocol**



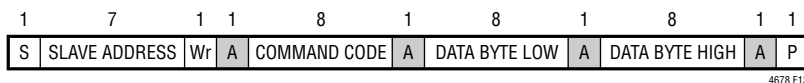
**Figure 10. Send Byte Protocol with PEC**



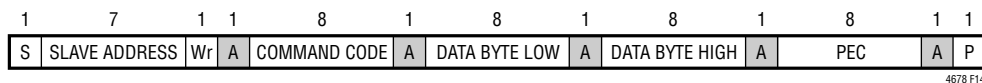
**Figure 11. Write Byte Protocol**



**Figure 12. Write Byte Protocol with PEC**



**Figure 13. Write Word Protocol**



**Figure 14. Write Word Protocol with PEC**

## OPERATION

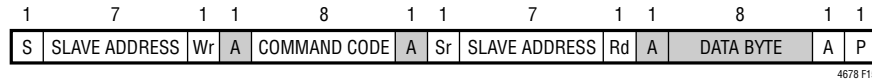


Figure 15. Read Byte Protocol

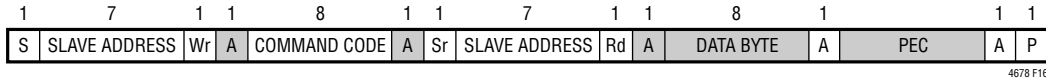


Figure 16. Read Byte Protocol with PEC

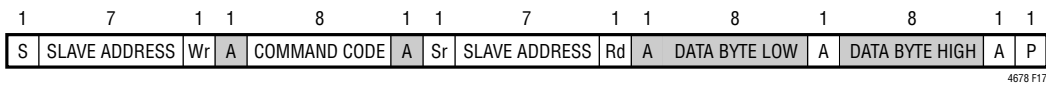


Figure 17. Read Word Protocol

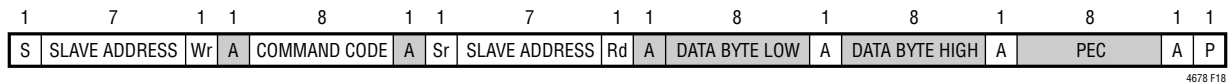


Figure 18. Read Word Protocol with PEC

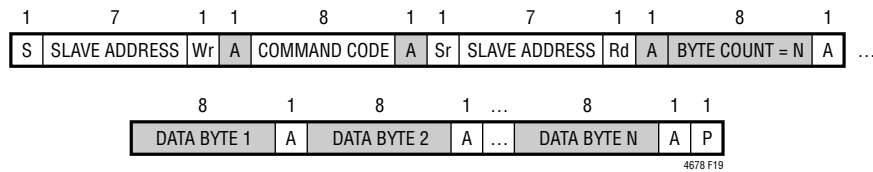


Figure 19. Block Read Protocol

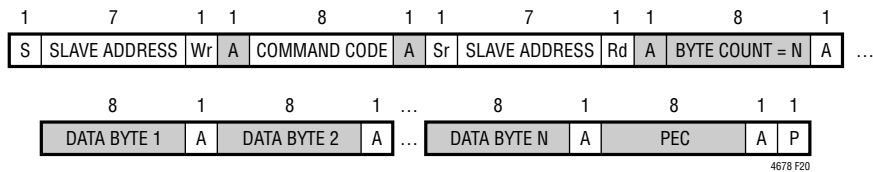


Figure 20. Block Read Protocol with PEC

# OPERATION

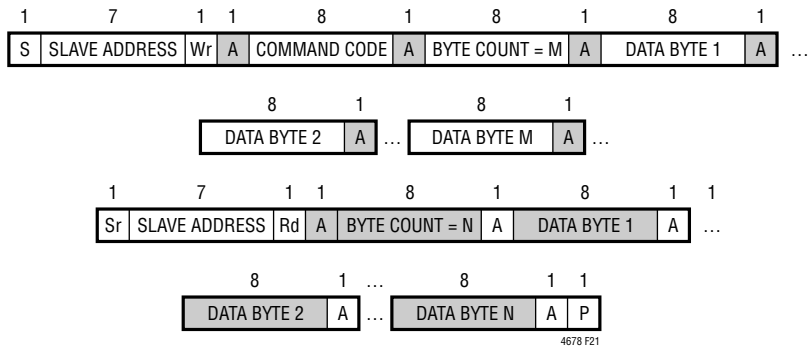


Figure 21. Block Write – Block Read Process Call

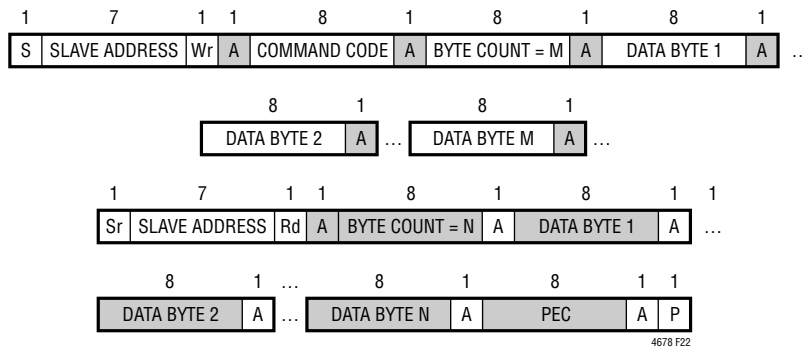


Figure 22. Block Write – Block Read Process Call with PEC

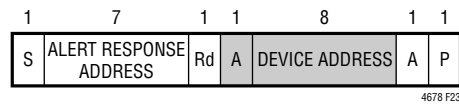


Figure 23. Alert Response Address Protocol

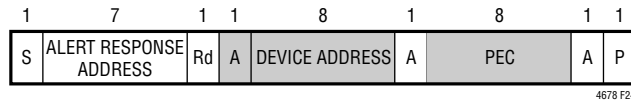


Figure 24. Alert Response Address Protocol with PEC

## PMBus COMMAND SUMMARY

### PMBus COMMANDS

Table 7 lists supported PMBus commands and manufacturer specific commands. A complete description of these commands can be found in the “PMBus Power System Mgt Protocol Specification – Part II – Revision 1.2”. Users are encouraged to reference this specification. Exceptions or manufacturer specific implementations are listed in Table 7. Floating point values listed in the “DEFAULT VALUE” column are either Linear 16-bit Signed (PMBus Section 8.3.1) or Linear\_5s\_11s (PMBus Section 7.1) format, whichever is appropriate for the command. All commands from 0xD0 through 0xFF not listed in Table 7 are implicitly reserved by the manufacturer. Users should avoid blind writes within this range of commands to avoid undesired operation of the part. All commands from 0x00 through 0xCF not listed in Table 7 are implicitly not supported by

the manufacturer. Attempting to access non-supported or reserved commands may result in a CML command fault event. All output voltage settings and measurements are based on the VOUT\_MODE setting of 0x14. This translates to an exponent of  $2^{-12}$ .

If PMBus commands are received faster than they are being processed, the part may become too busy to handle new commands. In these circumstances the part follows the protocols defined in the PMBus Specification v1.2, Part II, Section 10.8.7, to communicate that it is busy. The part includes handshaking features to eliminate busy errors and simplify error handling software while ensuring robust communication and system behavior. Please refer to the subsection titled PMBus Communication and Command Processing in the Applications Information section for further details.

**Table 7. PMBus Commands Summary (Note: The Data Format Abbreviations are Detailed in Table 8)**

COMMAND NAME	CMD CODE	DESCRIPTION	TYPE	PAGED	DATA FORMAT	UNITS	NVM	DEFAULT VALUE	PAGE
PAGE	0x00	Provides integration with multi-page PMBus devices.	R/W Byte	N	Reg			0x00	76
OPERATION	0x01	Operating mode control. On/off, margin high and margin low.	R/W Byte	Y	Reg		Y	0x80	80
ON_OFF_CONFIG	0x02	RUN pin and PMBus bus on/off command configuration.	R/W Byte	Y	Reg		Y	0x1E	80
CLEAR_FAULTS	0x03	Clear any fault bits that have been set.	Send Byte	N				NA	105
PAGE_PLUS_WRITE	0x05	Write a command directly to a specified page.	W Block	N					76
PAGE_PLUS_READ	0x06	Read a command directly from a specified page.	Block R/W	N					76
WRITE_PROTECT	0x10	Level of protection provided by the device against accidental changes.	R/W Byte	N	Reg		Y	0x00	77
STORE_USER_ALL	0x15	Store user operating memory to EEPROM.	Send Byte	N				NA	115
RESTORE_USER_ALL	0x16	Restore user operating memory from EEPROM.	Send Byte	N				NA	116
CAPABILITY	0x19	Summary of PMBus optional communication protocols supported by this device.	R Byte	N	Reg			0xB0	104
SMBALERT_MASK	0x1B	Mask ALERT activity	Block R/W	Y	Reg		Y	See CMD	105
VOUT_MODE	0x20	Output voltage format and exponent ( $2^{-12}$ ).	R Byte	Y	Reg			$2^{-12}$ 0x14	86
VOUT_COMMAND	0x21	Nominal output voltage set point.	R/W Word	Y	L16	V	Y	1.0 0x1000	87
VOUT_MAX	0x24	Upper limit on the commanded output voltage including VOUT_MARGIN_HI.	R/W Word	Y	L16	V	Y	3.6 0x399A	86

## PMBus COMMAND SUMMARY

COMMAND NAME	CMD CODE	DESCRIPTION	TYPE	PAGED	DATA FORMAT	UNITS	NVM	DEFAULT VALUE	PAGE
VOUT_MARGIN_HIGH	0x25	Margin high output voltage set point. Must be greater than VOUT_COMMAND.	R/W Word	Y	L16	V	Y	1.05 0x10CD	87
VOUT_MARGIN_LOW	0x26	Margin low output voltage set point. Must be less than VOUT_COMMAND.	R/W Word	Y	L16	V	Y	0.95 0x0F33	87
VOUT_TRANSITION_RATE	0x27	Rate the output changes when V <sub>OUT</sub> commanded to a new value.	R/W Word	Y	L11	V/ms	Y	0.001 0x8042	93
FREQUENCY_SWITCH	0x33	Switching frequency of the controller.	R/W Word	N	L11	kHz	Y	350kHz 0xFABC	84
VIN_ON	0x35	Input voltage at which the unit should start power conversion.	R/W Word	N	L11	V	Y	4.75 0xD130	85
VIN_OFF	0x36	Input voltage at which the unit should stop power conversion.	R/W Word	N	L11	V	Y	4.5 0xD120	85
VOUT_OV_FAULT_LIMIT	0x40	Output overvoltage fault limit.	R/W Word	Y	L16	V	Y	1.1 0x119A	86
VOUT_OV_FAULT_RESPONSE	0x41	Action to be taken by the device when an output overvoltage fault is detected.	R/W Byte	Y	Reg		Y	0xB8	95
VOUT_OV_WARN_LIMIT	0x42	Output overvoltage warning limit.	R/W Word	Y	L16	V	Y	1.075 0x1133	86
VOUT_UV_WARN_LIMIT	0x43	Output undervoltage warning limit.	R/W Word	Y	L16	V	Y	0.925 0x0ECD	87
VOUT_UV_FAULT_LIMIT	0x44	Output undervoltage fault limit.	R/W Word	Y	L16	V	Y	0.9 0x0E66	87
VOUT_UV_FAULT_RESPONSE	0x45	Action to be taken by the device when an output undervoltage fault is detected.	R/W Byte	Y	Reg		Y	0xB8	96
IOUT_OC_FAULT_LIMIT	0x46	Output overcurrent fault limit.	R/W Word	Y	L11	A	Y	40.00 0xE280	89
IOUT_OC_FAULT_RESPONSE	0x47	Action to be taken by the device when an output overcurrent fault is detected.	R/W Byte	Y	Reg		Y	0x00	98
IOUT_OC_WARN_LIMIT	0x4A	Output overcurrent warning limit.	R/W Word	Y	L11	A	Y	30.0 0xDBC0	90
OT_FAULT_LIMIT	0x4F	External overtemperature fault limit.	R/W Word	Y	L11	C	Y	128.0 0xF200	91
OT_FAULT_RESPONSE	0x50	Action to be taken by the device when an external overtemperature fault is detected,	R/W Byte	Y	Reg		Y	0xB8	100
OT_WARN_LIMIT	0x51	External overtemperature warning limit.	R/W Word	Y	L11	C	Y	125.0 0xEBE8	91
UT_FAULT_LIMIT	0x53	External undertemperature fault limit.	R/W Word	Y	L11	C	Y	-45.0 0xE530	92
UT_FAULT_RESPONSE	0x54	Action to be taken by the device when an external undertemperature fault is detected.	R/W Byte	Y	Reg		Y	0xB8	100
VIN_OV_FAULT_LIMIT	0x55	Input supply overvoltage fault limit.	R/W Word	N	L11	V	Y	15.5 0xD3E0	86
VIN_OV_FAULT_RESPONSE	0x56	Action to be taken by the device when an input overvoltage fault is detected.	R/W Byte	Y	Reg		Y	0x80	95
VIN_UV_WARN_LIMIT	0x58	Input supply undervoltage warning limit.	R/W Word	N	L11	V	Y	4.65 0xD12A	85
IIN_OC_WARN_LIMIT	0x5D	Input supply overcurrent warning limit.	R/W Word	N	L11	A	Y	10.0 0xD280	90

## PMBus COMMAND SUMMARY

COMMAND NAME	CMD CODE	DESCRIPTION	TYPE	PAGED	DATA FORMAT	UNITS	NVM	DEFAULT VALUE	PAGE
TON_DELAY	0x60	Time from RUN and/or Operation on to output rail turn-on.	R/W Word	Y	L11	ms	Y	0.0 0x8000	92
TON_RISE	0x61	Time from when the output starts to rise until the output voltage reaches the $V_{OUT}$ commanded value.	R/W Word	Y	L11	ms	Y	3.0 0xC300	92
TON_MAX_FAULT_LIMIT	0x62	Maximum time from the start of TON_RISE for $VO_{UT}$ to cross the $VO_{UT\_UV\_FAULT\_LIMIT}$ .	R/W Word	Y	L11	ms	Y	5.0 0xCA80	93
TON_MAX_FAULT_RESPONSE	0x63	Action to be taken by the device when a TON_MAX_FAULT event is detected.	R/W Byte	Y	Reg		Y	0xB8	98
TOFF_DELAY	0x64	Time from RUN and/or Operation off to the start of TOFF_FALL ramp.	R/W Word	Y	L11	ms	Y	0.0 0x8000	93
TOFF_FALL	0x65	Time from when the output starts to fall until the output reaches zero volts.	R/W Word	Y	L11	ms	Y	3.0 0xC300	93
TOFF_MAX_WARN_LIMIT	0x66	Maximum allowed time, after TOFF_FALL completed, for the unit to decay below 12.5%.	R/W Word	Y	L11	ms	Y	0 0x8000	94
STATUS_BYTE	0x78	One byte summary of the unit's fault condition.	R/W Byte	Y	Reg			NA	106
STATUS_WORD	0x79	Two byte summary of the unit's fault condition.	R/W Word	Y	Reg			NA	107
STATUS_VOUT	0x7A	Output voltage fault and warning status.	R/W Byte	Y	Reg			NA	107
STATUS_IOUT	0x7B	Output current fault and warning status.	R/W Byte	Y	Reg			NA	108
STATUS_INPUT	0x7C	Input supply fault and warning status.	R/W Byte	N	Reg			NA	108
STATUS_TEMPERATURE	0x7D	External temperature fault and warning status for READ_TEMPERATURE_1.	R/W Byte	Y	Reg			NA	109
STATUS_CML	0x7E	Communication and memory fault and warning status.	R/W Byte	N	Reg			NA	109
STATUS_MFR_SPECIFIC	0x80	Manufacturer specific fault and state information.	R/W Byte	Y	Reg			NA	110
READ_VIN	0x88	Measured input supply voltage.	R Word	N	L11	V		NA	112
READ_IIN	0x89	Measured input supply current.	R Word	N	L11	A		NA	112
READ_VOUT	0x8B	Measured output voltage.	R Word	Y	L16	V		NA	112
READ_IOUT	0x8C	Measured output current.	R Word	Y	L11	A		NA	112
READ_TEMPERATURE_1	0x8D	External temperature sensor temperature. This is the value used for all temperature related processing, including IOUT_CAL_GAIN.	R Word	Y	L11	C		NA	112
READ_TEMPERATURE_2	0x8E	Internal die junction temperature. Does not affect any other commands.	R Word	N	L11	C		NA	113
READ_FREQUENCY	0x95	Measured PWM switching frequency.	R Word	Y	L11	Hz		NA	113
READ_POUT	0x96	Measured output power	R Word	Y	L11	W		N/A	113
READ_PIN	0x97	Calculated input power	R Word	Y	L11	W		N/A	113
PMBus_REVISION	0x98	PMBus revision supported by this device. Current revision is 1.2.	R Byte	N	Reg			0x22	104
MFR_ID	0x99	The manufacturer ID of the LTM4678 in ASCII.	R String	N	ASC			LTC	104
MFR_MODEL	0x9A	Manufacturer part number in ASCII.	R String	N	ASC				104

## PMBus COMMAND SUMMARY

COMMAND NAME	CMD CODE	DESCRIPTION	TYPE	PAGED	DATA FORMAT	UNITS	NVM	DEFAULT VALUE	PAGE
MFR_VOUT_MAX	0xA5	Maximum allowed output voltage including VOUT_OV_FAULT_LIMIT.	R Word	Y	L16	V		3.6 0x399A	88
MFR_PIN_ACCURACY	0xAC	Returns the accuracy of the READ_PIN command	R Byte	N	%			5.0%	113
USER_DATA_00	0xB0	OEM RESERVED. Typically used for part serialization.	R/W Word	N	Reg		Y	NA	103
USER_DATA_01	0xB1	Manufacturer reserved for LTPowerPlay.	R/W Word	Y	Reg		Y	NA	103
USER_DATA_02	0xB2	OEM RESERVED. Typically used for part serialization	R/W Word	N	Reg		Y	NA	103
USER_DATA_03	0xB3	An NVM word available for the user.	R/W Word	Y	Reg		Y	0x0000	103
USER_DATA_04	0xB4	An NVM word available for the user.	R/W Word	N	Reg		Y	0x0000	103
MFR_EE_UNLOCK	0xBD	Contact factory.							120
MFR_EE_ERASE	0xBE	Contact factory.							120
MFR_EE_DATA	0xBF	Contact factory.							120
MFR_CHAN_CONFIG	0xD0	Configuration bits that are channel specific.	R/W Byte	Y	Reg		Y	0x1D	78
MFR_CONFIG_ALL	0xD1	General configuration bits.	R/W Byte	N	Reg		Y	0x21	79
MFR_FAULT_PROPAGATE	0xD2	Configuration that determines which faults are propagated to the FAULT pin.	R/W Word	Y	Reg		Y	0x6993	101
MFR_PWM_COMP	0xD3	PWM loop compensation configuration	R/W Byte	Y	Reg		Y	0x28	82
MFR_PWM_MODE	0xD4	Configuration for the PWM engine.	R/W Byte	Y	Reg		Y	0xC7	81
MFR_FAULT_RESPONSE	0xD5	Action to be taken by the device when the FAULT pin is externally asserted low.	R/W Byte	Y	Reg		Y	0xC0	99
MFR_OT_FAULT_RESPONSE	0xD6	Action to be taken by the device when an internal overtemperature fault is detected.	R Byte	N	Reg			0xC0	99
MFR_IOUT_PEAK	0xD7	Report the maximum measured value of READ_IOUT since last MFR_CLEAR_PEAKS.	R Word	Y	L11	A		NA	113
MFR_ADC_CONTROL	0xD8	ADC telemetry parameter selected for repeated fast ADC read back	R/W Byte	N	Reg			0x00	114
MFR_RETRY_DELAY	0xDB	Retry interval during FAULT retry mode.	R/W Word	Y	L11	ms	Y	250.0 0xF3E8	94
MFR_RESTART_DELAY	0xDC	Minimum time the RUN pin is held low by the LTM4678.	R/W Word	Y	L11	ms	Y	150.0 0xF258	94
MFR_VOUT_PEAK	0xDD	Maximum measured value of READ_VOUT since last MFR_CLEAR_PEAKS.	R Word	Y	L16	V		NA	113
MFR_VIN_PEAK	0xDE	Maximum measured value of READ_VIN since last MFR_CLEAR_PEAKS.	R Word	N	L11	V		NA	113
MFR_TEMPERATURE_1_PEAK	0xDF	Maximum measured value of external Temperature (READ_TEMPERATURE_1) since last MFR_CLEAR_PEAKS.	R Word	Y	L11	C		NA	114
MFR_READ_IIN_PEAK	0xE1	Maximum measured value of READ_IIN command since last MFR_CLEAR_PEAKS	R Word	N	L11	A		NA	114
MFR_CLEAR_PEAKS	0xE3	Clears all peak values.	Send Byte	N				NA	106
MFR_READ_ICHIP	0xE4	Measured supply current of the SV <sub>IN</sub> pin	R Word	N	L11	A		NA	114
MFR_PADS	0xE5	Digital status of the I/O pads.	R Word	N	Reg			NA	110

## PMBus COMMAND SUMMARY

COMMAND NAME	CMD CODE	DESCRIPTION	TYPE	PAGED	DATA FORMAT	UNITS	NVM	DEFAULT VALUE	PAGE
MFR_ADDRESS	0xE6	Sets the 7-bit I <sup>2</sup> C address byte.	R/W Byte	N	Reg		Y	0x4F	78
MFR_SPECIAL_ID	0xE7	Manufacturer code representing the LTM4678 and revision	R Word	N	Reg			0x4100	104
MFR_IIN_CAL_GAIN	0xE8	The resistance value of the input current sense element in mΩ.	R/W Word	N	L11	mΩ	Y	2.0 0xC200	90
MFR_FAULT_LOG_STORE	0xEA	Command a transfer of the fault log from RAM to EEPROM.	Send Byte	N				NA	117
MFR_INFO	0x	Contact factory.							119
MFR_IOUT_CAL_GAIN	0x	SET AT FACTORY							88
MFR_FAULT_LOG_CLEAR	0xEC	Initialize the EEPROM block reserved for fault logging.	Send Byte	N				NA	120
MFR_FAULT_LOG	0xEE	Fault log data bytes.	R Block	N	Reg		Y	NA	116
MFR_COMMON	0xEF	Manufacturer status bits that are common across multiple ADI chips.	R Byte	N	Reg			NA	111
MFR_COMPARE_USER_ALL	0xF0	Compares current command contents with NVM.	Send Byte	N				NA	116
MFR_TEMPERATURE_2_PEAK	0xF4	Peak internal die temperature since last MFR_CLEAR_PEAKS.	R Word	N	L11	C		NA	114
MFR_PWM_CONFIG	0xF5	Set numerous parameters for the DC/DC controller including phasing.	R/W Byte	N	Reg		Y	0x10	83
MFR_IOUT_CAL_GAIN_TC	0xF6	Temperature coefficient of the current sensing element.	R/W Word	Y	CF	ppm/ °C	Y	3800 0x0ED8	88
MFR_ICHIP_CAL_GAIN	0xF7	The resistance value of the V <sub>IN</sub> pin filter element in mΩ.	R/W Word	N	L11	mΩ	Y	1000 0x03E8	85
MFR_TEMP_1_GAIN	0xF8	Sets the slope of the external temperature sensor.	R/W Word	Y	CF		Y	0.995 0x3FAE	91
MFR_TEMP_1_OFFSET	0xF9	Sets the offset of the external temperature sensor with respect to -273.1°C	R/W Word	Y	L11	C	Y	0.0 0x8000	91
MFR_RAIL_ADDRESS	0xFA	Common address for PolyPhase outputs to adjust common parameters.	R/W Byte	Y	Reg		Y	0x80	78
MFR_REAL_TIME	0xFB	48-bit share-clock counter value.	R Block	N	CF			NA	104
MFR_RESET	0xFD	Commanded reset without requiring a power down.	Send Byte	N				NA	80

**Note 1:** Commands indicated with Y in the NVM column indicate that these commands are stored and restored using the STORE\_USER\_ALL and RESTORE\_USER\_ALL commands, respectively.

**Note 2:** Commands with a default value of NA indicate “not applicable”. Commands with a default value of FS indicate “factory set on a per part basis”.

**Note 3:** The LTM4678 contains additional commands not listed in Table 7. Reading these commands is harmless to the operation of the IC; however, the contents and meaning of these commands can change without notice.

**Note 4:** Some of the unpublished commands are read-only and will generate a CML bit 6 fault if written.

**Note 5:** Writing to commands not published in Table 7 is not permitted.

**Note 6:** The user should not assume compatibility of commands between different parts based upon command names. Always refer to the manufacturer’s data sheet for each part for a complete definition of a command’s function. ADI strives to keep command functionality compatible between all ADI devices. Differences may occur to address specific product requirements.



## PMBus COMMAND SUMMARY

**Table 8. Data Format Abbreviations**

L11	Linear_5s_11s	<p>PMBus data field b[15:0]  Value = <math>Y \cdot 2^N</math>  where N = b[15:11] is a 5-bit two's complement integer and Y = b[10:0] is an 11-bit two's complement integer  Example:  For b[15:0] = 0x9807 = 'b10011_000_0000_0111  Value = <math>7 \cdot 2^{-13} = 854 \cdot 10^{-6}</math>  From "PMBus Spec Part II: Paragraph 7.1"</p>
L16	Linear_16u	<p>PMBus data field b[15:0]  Value = <math>Y \cdot 2^N</math>  where Y = b[15:0] is an unsigned integer and N = VOUT_MODE_PARAMETER is a 5-bit two's complement exponent that is hardwired to -12 decimal  Example:  For b[15:0] = 0x9800 = 'b1001_1000_0000_0000  Value = <math>19456 \cdot 2^{-12} = 4.75</math> From "PMBus Spec Part II: Paragraph 8.2"</p>
Reg	Register	<p>PMBus data field b[15:0] or b[7:0].  Bit field meaning is defined in detailed PMBus Command Description.</p>
L16	Integer Word	<p>PMBus data field b[15:0]  Value = Y  where Y = b[15:0] is a 16-bit unsigned integer  Example:  For b[15:0] = 0x9807 = 'b1001_1000_0000_0111  Value = 38919 (decimal)</p>
CF	Custom Format	<p>Value is defined in detailed PMBus Command Description.  This is often an unsigned or two's complement integer scaled by an MFR specific constant.</p>
ASC	ASCII Format	<p>A variable length string of text characters conforming to ISO/IEC 8859-1 standard.</p>

## APPLICATIONS INFORMATION

### V<sub>IN</sub> TO V<sub>OUT</sub> STEP-DOWN RATIOS

There are restrictions in the maximum V<sub>IN</sub> and V<sub>OUT</sub> step-down ratio that can be achieved for a given input voltage. Each output of the LTM4678 is capable of 95% duty cycle at 500kHz, but the V<sub>IN</sub> to V<sub>OUT</sub> minimum dropout is still a function of its load current and will limit output current capability related to high duty cycle on the topside switch.

Minimum on-time t<sub>ON(MIN)</sub> is another consideration in operating at a specified duty cycle while operating at a certain frequency due to the fact that t<sub>ON(MIN)</sub> < D/f<sub>SW</sub>, where D is duty cycle and f<sub>SW</sub> is the switching frequency. t<sub>ON(MIN)</sub> is specified in the electrical parameters as 50ns. See Note 6 in the Electrical Characteristics section for output current guideline.

### INPUT CAPACITORS

The LTM4678 module should be connected to a low AC impedance DC source. For the regulator input, four 22μF input ceramic capacitors are used to handle the RMS ripple current. A 47μF to 150μF surface mount aluminum electrolytic bulk capacitor can be used for more input bulk capacitance. This bulk input capacitor is only needed if the input source impedance is compromised by long inductive leads, traces or not enough source capacitance. If low impedance power planes are used, then this bulk capacitor is not needed.

For a buck converter, the switching duty-cycle can be estimated as:

$$D_n = \frac{V_{OUTn}}{V_{INn}}$$

Without considering the inductor current ripple, for each output, the RMS current of the input capacitor can be estimated as:

$$I_{CINn(RMS)} = \frac{I_{OUTn(MAX)}}{\eta\%} \cdot \sqrt{D_n \cdot (1 - D_n)}$$

In the above equation, η% is the estimated efficiency of the power module. The bulk capacitor can be a switcher-rated electrolytic aluminum capacitor, or a polymer capacitor.

### OUTPUT CAPACITORS

The LTM4678 is designed for low output voltage ripple noise and good transient response. The bulk output capacitors defined as C<sub>OUT</sub> are chosen with low enough effective series resistance (ESR) to meet the output voltage ripple and transient requirements. C<sub>OUT</sub> can be a low ESR tantalum capacitor, a low ESR polymer capacitor or ceramic capacitor. The typical output capacitance range for each output is from 400μF to 1000μF. Additional output filtering may be required by the system designer, if further reduction of output ripple or dynamic transient spikes is required. Table 13 shows a matrix of different output voltages and output capacitors to minimize the voltage droop and overshoot during a 0A to 12.5A step, 12A/μs transient each channel. Table 13 optimizes total equivalent ESR and total bulk capacitance to optimize the transient performance. Stability criteria are considered in the Table 13 matrix, and the LTPowerCAD Design Tool will be provided for stability analysis. Multiphase operation reduces effective output ripple as a function of the number of phases. Application Note 77 discusses this noise reduction versus output ripple current cancellation, but the output capacitance should be considered carefully as a function of stability and transient response. The LTPowerCAD Design Tool can calculate the output ripple reduction as the number of implemented phases increases by N times. A small value 10Ω resistor can be placed in series from V<sub>OUTn</sub> to the V<sub>OSNSO</sub><sup>+</sup> pin to allow for a bode plot analyzer to inject a signal into the control loop and validate the regulator stability. The LTM4678's stability compensation can be adjusted using two external capacitors, and the MFR\_PWM\_COMP commands.

### LIGHT LOAD CURRENT OPERATION

The LTM4678 has two modes of operation including high efficiency, discontinuous conduction mode or forced continuous conduction mode. The mode of operation is configured by bit 0 of the MFR\_PWM\_MODE<sub>n</sub> command (discontinuous conduction is always the start-up mode, forced continuous is the default running mode).

If a channel is enabled for discontinuous mode operation, the inductor current is not allowed to reverse. The

## APPLICATIONS INFORMATION

reverse current comparator,  $I_{REV}$ , turns off the bottom MOSFET ( $MB_n$ ) just before the inductor current reaches zero, preventing it from reversing and going negative. Thus, the controller can operate in discontinuous (pulse-skipping) operation. In forced continuous operation, the inductor current is allowed to reverse at light loads or under large transient conditions. The peak inductor current is determined solely by the voltage on the  $COMP_{nb}$  pin. In this mode, the efficiency at light loads is lower than in discontinuous mode operation. However, continuous mode exhibits lower output ripple and less interference with audio circuitry. Forced continuous conduction mode may result in reverse inductor current, which can cause the input supply to boost. The  $VIN\_OV\_FAULT\_LIMIT$  can detect this (if  $SV_{IN}$  is connected to  $V_{IN0}$  and/or  $V_{IN1}$ ) and turn off the offending channel. However, this fault is based on an ADC read and can nominally take up to 100ms to detect. If there is a concern about the input supply boosting, keep the part in discontinuous conduction operation.

### SWITCHING FREQUENCY AND PHASE

The switching frequency of the LTM4678's channels is established by its analog phase-locked-loop (PLL) locking on to the clock present at the module's SYNC pin. The clock waveform on the SYNC pin can be generated by the LTM4678's internal circuitry when an external pull-up resistor to 3.3V (e.g.,  $V_{DD33}$ ) is provided, in combination with the LTM4678 control IC's  $FREQUENCY\_SWITCH$  command being set to one of the following supported values: 250kHz, 350kHz, 425kHz, 500kHz, 575kHz, 650kHz, 750kHz. In this configuration, the module is called a "sync master": (using the factory-default setting of  $MFR\_CONFIG\_ALL[4] = 0b$ ), SYNC becomes a bidirectional open-drain pin, and the LTM4678 pulls SYNC logic low for nominally 500ns at a time, at the prescribed clock rate. The SYNC signal can be used to other LTM4678 modules (configured as "sync slaves"), for purposes of synchronizing switching frequencies of multiple modules within a system—but only one LTM4678 should be configured as a "sync master"; the other LTM4678(s) should be configured as "sync slaves".

The most straightforward way is to set its  $FREQUENCY\_SWITCH$  command to  $0x0000$  and  $MFR\_CONFIG\_ALL[4] = 1b$ . This can be easily implemented with resis-

tor pin-strap settings on the  $FSWPH\_CFG$  pin (see Table 3). Using  $MFR\_CONFIG\_ALL[4] = 1b$ , the LTM4678s SYNC pin becomes a high impedance input, only—i.e., it does not drive SYNC low. The module synchronizes its frequency to that of the clock applied to its SYNC pin. The only shortcoming of this approach is: in the absence of an externally applied clock, the switching frequency of the module will default to the low end of its frequency-synchronization capture range (~225kHz).

If fault-tolerance to the loss of an externally applied SYNC clock is desired, the  $FREQUENCY\_SWITCH$  command of a "sync slave" can be left at the nominal target switching frequency of the application, and not  $0x0000$ . However, it is then still necessary to configure  $MFR\_CONFIG\_ALL[4] = 1b$ . With this combination of configurations, the LTM4678's SYNC pin becomes a high impedance input and the module synchronizes its frequency to that of the externally applied clock, provided that the frequency of the externally applied clock exceeds  $\sim 1/2$  of the target frequency ( $FREQUENCY\_SWITCH$ ). If the SYNC clock is absent, the module responds by operating at its target frequency, indefinitely. If and when the SYNC clock is restored, the module automatically phase-locks to the SYNC clock as normal. The only shortcoming of this approach is: the EEPROM must be configured per above guidance; resistor pin-strap options on the  $FSWPH\_CFG$  pin alone cannot provide fault-tolerance to the absence of the SYNC clock.

The  $FREQUENCY\_SWITCH$  register can be altered via I<sup>2</sup>C commands, but only when switching action is disengaged, i.e., the module's outputs are turned off. The  $FREQUENCY\_SWITCH$  command takes on the value stored in NVM at  $SV_{IN}$  power-up, but is overridden according to a resistor pin-strap applied between the  $FSWPH\_CFG$  pin and SGND only if the module is configured to respect resistor pin-strap settings ( $MFR\_CONFIG\_ALL[6] = 0b$ ). Table 3 highlights available resistor pin-strap and corresponding  $FREQUENCY\_SWITCH$  settings.

The relative phasing of all active channels in a PolyPhase rail should be optimally phased. The relative phasing of each rail is  $360^\circ/n$ , where  $n$  is the number of phases in the rail.  $MFR\_PWM\_CONFIG[2:0]$  configures channel relative phasing with respect to the SYNC pin. Phase relationship

## APPLICATIONS INFORMATION

values are indicated with 0° corresponding to the falling edge of SYNC being coincident with the turn-on of the top MOSFETs, (MT<sub>n</sub>).

The MFR\_PWM\_CONFIG command can be altered via I<sup>2</sup>C commands, but only when switching action is disengaged, i.e., the module's outputs are turned off. The MFR\_PWM\_CONFIG command takes on the value stored in NVM at SV<sub>IN</sub> power-up, but is overridden according to a resistor pin-strap applied between the FSWPH\_CFG pin and SGND only if the module is configured to respect resistor pin-strap settings (MFR\_CONFIG\_ALL[6] = 0b). Table 3 highlights available resistor pin-strap and corresponding MFR\_PWM\_CONFIG[2:0] settings.

Some combinations of FREQUENCY\_SWITCH and MFR\_PWM\_CONFIG[2:0] are not available by resistor pin-straping the FSWPH\_CFG pin. All combinations of supported values for FREQUENCY\_SWITCH and MFR\_PWM\_CONFIG[2:0] can be configured by NVM programming—or, I<sup>2</sup>C transactions, provided switching action is disengaged, i.e., the module's outputs are turned off.

Care must be taken to minimize capacitance on SYNC to assure that the pull-up resistor versus the capacitor load has a low enough time constant for the application to form a “clean” clock. (See “Open-Drain Pins”, later in this section.)

When a LTM4678 is configured as a sync slave, it is permissible for external circuitry to drive the SYNC pin from a current-limited source (less than 10mA), rather than using a pull-up resistor. Any external circuitry must not drive high with arbitrarily low impedance at SV<sub>IN</sub> power-up, because the SYNC output can be low impedance until NVM contents have been downloaded to RAM.

Recommended LTM4678 switching frequencies of operation for many common V<sub>IN</sub>-to-V<sub>OUT</sub> applications are indicated below. When the two channels of an LTM4678 are stepping input voltage(s) down to output voltages whose recommended switching frequencies below are significantly different, operation at the higher of the two recommended switching frequencies is preferable, but minimum on-time must be considered. (See Minimum On-Time Considerations section.)

**Table 9. Recommended Switching Frequency for Various V<sub>IN</sub>-to-V<sub>OUT</sub> Step-Down Scenarios**

	5V <sub>IN</sub>	8V <sub>IN</sub>	12V <sub>IN</sub>
0.9V <sub>OUT</sub>	350kHz to 400kHz		
1.0V <sub>OUT</sub>			
1.2V <sub>OUT</sub>			
1.5V <sub>OUT</sub>	450kHz to 550kHz		
1.8V <sub>OUT</sub>			
2.5V <sub>OUT</sub>	650kHz to 750kHz		
3.3V <sub>OUT</sub>			

### OUTPUT CURRENT LIMIT PROGRAMMING

The cycle-by-cycle current limit threshold voltage, V<sub>IL</sub> limit is proportional to V<sub>COMPnb</sub>, which can be programmed from 1.45V to 2.2V using the PMBus command IOUT\_OC\_FAULT\_LIMIT. The LTM4678 uses only the sub-milliohm sensing to detect current levels. See page 89. The LTM4678 has two ranges of current limit programming. The value of MFR\_PWM\_MODE[2] is reserved and the MFR\_PWM\_MODE[7], and IOUT\_OC\_FAULT\_LIMIT are used to set the current limit level, see the section of the PM-Bus commands, the device can regulate output voltage with the peak current under the value of IOUT\_OC\_FAULT\_LIMIT in normal operation. In case of output current exceeding that current limit, an OC fault will be issued. Each of the IOUT\_OC\_FAULT\_LIMIT ranges will effects the loop gain, and subsequently effects the loop stability, so setting the range of current limiting is a part of loop design.

The LTPowerCAD Design Tool can be used to look at the loop stability changes if current limit is adjusted. The LTM4678 will automatically update the current limit as the inductor temperature changes. Keep in mind this operation is on a cycle-by-cycle basis and is only a function of the peak inductor current. The average inductor current is monitored by the ADC converter and can provide a warning if too much average output current is detected. The overcurrent fault is detected when the COMP<sub>nb</sub> voltage hits the maximum value. The digital processor within the LTM4678 provides the ability to either ignore the fault, shut down and latch off or shut down and retry indefinitely (hiccup). Refer to the overcurrent portion of the Operation section for more detail. The Read\_POUT can be used to readback calculated output power.

## APPLICATIONS INFORMATION

### MINIMUM ON-TIME CONSIDERATIONS

Minimum on-time,  $t_{ON(MIN)}$ , is the smallest time duration that the LTM4678 is capable of turning on the top MOSFET. It is determined by internal timing delays and the gate charge required to turn on the top MOSFET. Low duty cycle applications may approach this minimum on-time limit and care should be taken to ensure that:

$$t_{ON(MIN)} < \frac{V_{OUTn}}{V_{INn} \cdot f_{OSC}}$$

If the duty cycle falls below what can be accommodated by the minimum on-time, the controller will begin to skip cycles. The output voltage will continue to be regulated, but the ripple voltage and current will increase.

The minimum on-time for the LTM4678 is 50ns.

### VARIABLE DELAY TIME, SOFT-START AND OUTPUT VOLTAGE RAMPING

The LTM4678 must enter its run state prior to soft-start. The  $RUNn$  pins are released after the part initializes and  $SV_{IN}$  is greater than the  $VIN\_ON$  threshold. If multiple LTM4678s are used in an application, they should be configured to share the same  $RUNn$  pins. They all hold their respective  $RUNn$  pins low until all devices initialize and  $SV_{IN}$  exceeds the  $VIN\_ON$  threshold for all devices. The  $SHARE\_CLK$  pin assures all the devices connected to the signal use the same time base.

After the  $RUNn$  pin releases, the controller waits for the user-specified turn-on delay ( $TON\_DELAYn$ ) prior to initiating an output voltage ramp. Multiple LTM4678s and other ADI parts can be configured to start with variable delay times. To work correctly, all devices use the same timing clock ( $SHARE\_CLK$ ) and all devices must share the  $RUNn$  pin.

This allows the relative delay of all parts to be synchronized. The actual variation in the delay will be dependent on the highest clock rate of the devices connected to the  $SHARE\_CLK$  pin (all Analog Devices ICs are configured to allow the fastest  $SHARE\_CLK$  signal to control the timing of all devices). The  $SHARE\_CLK$  signal can be  $\pm 10\%$  in frequency, thus the actual time delays will have some variance.

Soft-start is performed by actively regulating the load voltage while digitally ramping the target voltage from 0V to the commanded voltage set point. The rise time of the voltage ramp can be programmed using the  $TON\_RISEn$  command to minimize inrush currents associated with the start-up voltage ramp. The soft-start feature is disabled by setting  $TON\_RISEn$  to any value less than 0.250ms. The LTM4678 performs the necessary math internally to assure the voltage ramp is controlled to the desired slope. However, the voltage slope can not be any faster than the  $V_{OUTn}$  fundamental limits of the power stage. The number of  $t_{ON(MIN)}$  steps in the ramp is proportional to  $TON\_RISE/0.1ms$ . Therefore, the shorter the  $TON\_RISEn$  time setting, the more discrete steps in the soft-start ramp appear.

The LTM4678 PWM always operates in discontinuous mode during the  $TON\_RISEn$  operation. In discontinuous mode, the bottom MOSFET ( $MBn$ ) is turned off as soon as reverse current is detected in the inductor. This allows the regulator to start up into a pre-biased load.

There is no analog tracking feature in the LTM4678; however, two outputs can be given the same  $TON\_RISEn$  and  $TON\_DELAYn$  times to achieve ratiometric rail tracking. Because the  $RUNn$  pins are released at the same time and both units use the same time base ( $SHARE\_CLK$ ), the outputs track very closely. If the circuit is in a PolyPhase configuration, all timing parameters must be the same.

### DIGITAL SERVO MODE

For maximum accuracy in the regulated output voltage, enable the digital servo loop by asserting bit 6 of the  $MFR\_PWM\_MODE$  command. In digital servo mode, the LTM4678 will adjust the regulated output voltage based on the ADC voltage reading. Every 90ms the digital servo loop will step the LSB of the DAC (nominally 1.375mV or 0.688mV depending on the voltage range bit) until the output is at the correct ADC reading. At power-up this mode engages after  $TON\_MAX\_FAULT\_LIMIT$  unless the limit is set to 0 (infinite). If the  $TON\_MAX\_FAULT\_LIMIT$  is set to 0 (infinite), the servo begins after  $TON\_RISE$  is complete and  $V_{OUT}$  has exceeded the  $VOUT\_UV\_FAULT\_LIMIT$ . This same point in time is when the output changes from

## APPLICATIONS INFORMATION

discontinuous to the programmed mode as indicated in MFR\_PWM\_MODE bit 0. Refer to Figure 25 for details on the  $V_{OUT}$  waveform under time-based sequencing. If the TON\_MAX\_FAULT\_LIMIT is set to a value greater than 0 and the TON\_MAX\_FAULT\_RESPONSE is set to ignore 0x00, the servo begins:

1. After the TON\_RISE sequence is complete
2. After the TON\_MAX\_FAULT\_LIMIT time is reached; and
3. After the VOUT\_UV\_FAULT\_LIMIT has been exceeded or the IOUT\_OC\_FAULT\_LIMIT is no longer active.

If the TON\_MAX\_FAULT\_LIMIT is set to a value greater than 0 and the TON\_MAX\_FAULT\_RESPONSE is not set to ignore 0x00, the servo begins:

1. After the TON\_RISE sequence is complete
2. After the TON\_MAX\_FAULT\_LIMIT time has expired and both VOUT\_UV\_FAULT and IOUT\_OC\_FAULT are not present.

The maximum rise time is limited to 1.3 seconds.

In a PolyPhase configuration it is recommended only one of the control loops have the digital servo mode enabled. This will assure the various loops do not work against each other due to slight differences in the reference circuits.

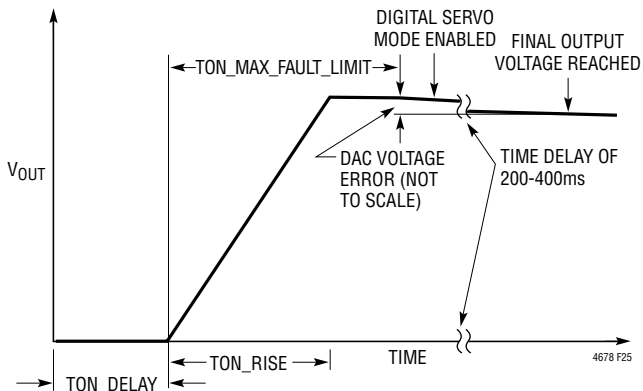


Figure 25. Timing Controlled  $V_{OUT}$  Rise

### SOFT OFF (SEQUENCED OFF)

In addition to a controlled start-up, the LTM4678 also supports controlled turn-off. The TOFF\_DELAY and TOFF\_FALL functions are shown in Figure 26. TOFF\_FALL is processed when the RUN pin goes low or if the part is commanded off. If the part faults off or  $\overline{\text{FAULT}}_n$  is pulled low externally and the part is programmed to respond to this, the output will three-state rather than exhibiting a controlled ramp. The output will decay as a function of the load. The output voltage will operate as shown in Figure 26 as long as the part is in forced continuous mode and the TOFF\_FALL time is sufficiently slow that the power stage can achieve the desired slope. The TOFF\_FALL time can only be met if the power stage and controller can sink sufficient current to assure the output is at zero volts by the end of the fall time interval. If the TOFF\_FALL time is set shorter than the time required to discharge the load capacitance, the output will not reach the desired zero volt state. At the end of TOFF\_FALL, the controller will cease to sink current and  $V_{OUT}$  will decay at the natural rate determined by the load impedance. If the controller is in discontinuous mode, the controller will not pull negative current and the output will be pulled low by the load, not the power stage. The maximum fall time is limited to 1.3 seconds. The shorter TOFF\_FALL time is set, the larger the discrete steps in the TOFF\_FALL ramp will appear. The number of steps in the ramp is equal to TOFF\_FALL/0.1ms.

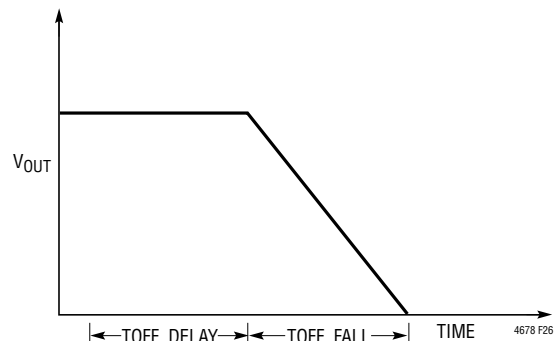


Figure 26. TOFF\_DELAY and TOFF\_FALL

## APPLICATIONS INFORMATION

### UNDERVOLTAGE LOCKOUT

The LTM4678 is initialized by an internal threshold-based UVLO where VIN must be approximately 4V and INTVCC, VDD33, and VDD25 must be within approximately 20% of their regulated values. In addition, VDD33 must be within approximately 7% of the targeted value before the RUN pin is released. After the part has initialized, an additional comparator monitors VIN. The VIN\_ON threshold must be exceeded before the power sequencing can begin. When VIN drops below the VIN\_OFF threshold, the SHARE\_CLK pin will be pulled low and VIN must increase above the VIN\_ON threshold before the controller will restart. The normal start-up sequence will be allowed after the VIN\_ON threshold is crossed. If FAULT<sub>n</sub> is held low when VIN is applied, ALERT will be asserted low even if the part is programmed to not assert ALERT when FAULT<sub>n</sub> is held low. If I2C communication occurs before the LTM4678 is out of reset and only a portion of the command is seen by the part, this can be interpreted as a CML fault. If a CML fault is detected, ALERT is asserted low.

It is possible to program the contents of the NVM in the application if the VDD33 supply is externally driven directly to VDD33 or through EXTVCC. This will activate the digital portion of the LTM4678 without engaging the high voltage sections. PMBus communications are valid in this supply configuration. If VIN has not been applied to the LTM4678, bit 3 (NVM Not Initialized) in MFR\_COMMON will be asserted low. If this condition is detected, the part will only respond to addresses 5A and 5B. To initialize the part issue the following set of commands: global address 0x5B command 0xBD data 0x2B followed by global address 5B command 0xBD and data 0xC4. The part will now respond to the correct address. Configure the part as desired then issue a STORE\_USER\_ALL. When VIN is applied a MFR\_RESET command must be issued to allow the PWM to be enabled and valid ADC conversions to be read.

### FAULT DETECTION AND HANDLING

The LTM4678  $\overline{\text{FAULT}}$  pins are configurable to indicate a variety of faults including OV, UV, OC, OT, timing faults, and peak over current faults. In addition, the  $\overline{\text{FAULT}}$  pins

can be pulled low by external sources indicating a fault in some other portion of the system. The fault response is configurable and allows the following options:

- Ignore
- Shut Down Immediately—Latch Off
- Shut Down Immediately—Retry Indefinitely at the Time Interval Specified in MFR\_RETRY\_DELAY

Refer to the PMBus section of the data sheet and the PMBus specification for more details.

The OV response is automatic. If an OV condition is detected, TG<sub>n</sub> goes low and BG<sub>n</sub> is asserted.

Fault logging is available on the LTM4678. The fault logging is configurable to automatically store data when a fault occurs that causes the unit to fault off. The header portion of the fault logging table contains peak values. It is possible to read these values at any time. This data will be useful while troubleshooting the fault.

If the LTM4678 internal temperature is in excess of 85°C, writes into the NVM (other than fault logging) are not recommended. The data will still be held in RAM, unless the 3.3V supply UVLO threshold is reached. If the die temperature exceeds 130°C all NVM communication is disabled until the die temperature drops below 120°C.

### OPEN-DRAIN PINS

The LTM4678 has the following open-drain pins:

#### 3.3V Pins

1.  $\overline{\text{FAULT}}_n$
2. SYNC
3. SHARE\_CLK
4. PGOOD<sub>n</sub>

#### 5V Pins (5V pins operate correctly when pulled to 3.3V.)

1. RUN<sub>n</sub>
2.  $\overline{\text{ALERT}}$
3. SCL
4. SDA

## APPLICATIONS INFORMATION

All the above pins have on-chip pull-down transistors that can sink 3mA at 0.4V. The low threshold on the pins is 0.8V; thus, there is plenty of margin on the digital signals with 3mA of current. For 3.3V pins, 3mA of current is a 1.1k resistor. Unless there are transient speed issues associated with the RC time constant of the resistor pull-up and parasitic capacitance to ground, a 10k resistor or larger is generally recommended.

For high speed signals such as the SDA, SCL and SYNC, a lower value resistor may be required. The RC time constant should be set to 1/3 to 1/5 the required rise time to avoid timing issues. For a 100pF load and a 400kHz PMBus communication rate, the rise time must be less than 300ns. The resistor pull-up on the SDA and SCL pins with the time constant set to 1/3 the rise time is:

$$R_{\text{PULLUP}} = \frac{t_{\text{RISE}}}{3 \cdot 100\text{pF}} = 1\text{k}$$

The closest 1% resistor value is 1k. Be careful to minimize parasitic capacitance on the SDA and SCL pins to avoid communication problems. To estimate the loading capacitance, monitor the signal in question and measure how long it takes for the desired signal to reach approximately 63% of the output value. This is a one time constant. The SYNC pin has an on-chip pull-down transistor with the output held low for nominally 500ns. If the internal oscillator is set for 500kHz and the load is 100pF and a 3x time constant is required, the resistor calculation is as follows:

$$R_{\text{PULLUP}} = \frac{2\mu\text{s} - 500\text{ns}}{3 \cdot 100\text{pF}} = 5\text{k}$$

The closest 1% resistor is 4.99k.

If timing errors are occurring or if the SYNC frequency is not as fast as desired, monitor the waveform and determine if the RC time constant is too long for the application. If possible reduce the parasitic capacitance. If not, reduce the pull-up resistor sufficiently to assure proper timing. The SHARE\_CLK pull-up resistor has a similar equation with a period of 10μs and a pull-down time of 1μs. The RC time constant should be approximately 3μs or faster.

## PHASE-LOCKED LOOP AND FREQUENCY SYNCHRONIZATION

The LTM4678 has a phase-locked loop (PLL) comprised of an internal voltage-controlled oscillator (VCO) and a phase detector. The PLL is locked to the falling edge of the SYNC pin. The phase relationship between the PWM controller and the falling edge of SYNC is controlled by the lower 3 bits of the MFR\_PWM\_CONFIG command. For PolyPhase applications, it is recommended that all the phases be spaced evenly. Thus for a 2-phase system the signals should be 180° out of phase and a 4-phase system should be spaced 90°.

The phase detector is an edge-sensitive digital type that provides a known phase shift between the external and internal oscillators. This type of phase detector does not exhibit false lock to harmonics of the external clock.

The output of the phase detector is a pair of complementary current sources that charge or discharge the internal filter network. The PLL lock range is guaranteed between 200kHz and 1MHz. Nominal parts will have a range beyond this; however, operation to a wider frequency range is not guaranteed.

The PLL has a lock detection circuit. If the PLL should lose lock during operation, bit 4 of the STATUS\_MFR\_SPECIFIC command is asserted and the ALERT pin is pulled low. The fault can be cleared by writing a 1 to the bit. If the user does not wish to see the ALERT pin assert if a PLL\_FAULT occurs, the SMBALERT\_MASK command can be used to prevent the alert.

If the SYNC signal is not clocking in the application, the nominal programmed frequency will control the PWM circuitry. However, if multiple parts share the SYNC pins and the signal is not clocking, the parts will not be synchronized and excess voltage ripple on the output may be present. Bit 10 of MFR\_PADS will be asserted low if this condition exists.

If the PWM signal appears to be running at too high a frequency, monitor the SYNC pin. Extra transitions on the falling edge will result in the PLL trying to lock on to noise versus the intended signal. Review routing of digital control signals and minimize crosstalk to the SYNC signal



## APPLICATIONS INFORMATION

to avoid this problem. Multiple LTM4678s are required to share one SYNC pin in PolyPhase configurations. For other configurations, connecting the SYNC pins to form a single SYNC signal is optional. If the SYNC pin is shared between LTM4678s, only one LTM4678 can be programmed with a frequency output. All the other LTM4678s should be programmed to disable the SYNC output. However their frequency should be programmed to the nominal desired value.

### INPUT CURRENT SENSE AMPLIFIER

The LTM4678 input current sense amplifier can sense the supply current into the  $V_{IN0}$  and  $V_{IN1}$  power stages pins using an external sense resistor as shown in the Figure 2 Block Diagram. The  $R_{SENSE}$  value can be programmed using the `MFR_IIN_CAL_GAIN` command. Kelvin sensing is recommended across the  $R_{SENSE}$  resistor to eliminate errors. The `MFR_PWM_CONFIG [6:5]` sets the input current sense amplifier gain. See the `MFR_PWM_CONFIG` section. The `IIN_OC_WARN_LIMIT` command sets the value of the input current measured by the ADC, in amperes, that causes a warning indicating the input current is high. The `READ_IIN` value will be used to determine if this limit has been exceeded. The `READ_IIN` command returns the input current, in Amperes, as measured across the input current sense resistor.

There is an IR voltage drop from the supply to the  $SV_{IN}$  pin due to the current flowing into the  $SV_{IN}$  pin. To compensate for this voltage drop, the `MFR_RVIN` will be automatically set to the  $1\Omega$  internal sense resistor in the Figure 2 Block Diagram. The LTM4678 will multiply the `MFR_READ_ICHIP` measurement value by this  $1\Omega$  resistor and add this voltage to the measured voltage at the  $SV_{IN}$  pin. Therefore,  $READ\_VIN = V_{SVIN\_PIN} + (MFR\_READ\_ICHIP \cdot 1\Omega)$ . The `MFR_READ_ICHIP` command is used to measure the internal controller current. Using the `READ_PIN` command allows for reading calculated input power.

### PROGRAMMABLE LOOP COMPENSATION

The LTM4678 offers programmable loop compensation to optimize the transient response without any hardware change. The error amplifier gain  $g_m$  varies from  $1.0\text{mmho}$  to

$5.73\text{mmho}$ , and the compensation resistor  $R_{COMPn}$  varies from  $0\text{k}\Omega$  to  $62\text{k}\Omega$  inside the controller. Two compensation capacitors,  $COMPna$  and  $COMPnb$ , are required in the design and the typical ratio between  $COMPna$  and  $COMPnb$  is 10. Also see Figure 2 Block Diagram and Figure 27.

By adjusting the  $g_m$  and  $R_{COMPn}$  only, the LTM4678 can provide a flexible Type II compensation network to optimize the loop over a wide range of output capacitors. Adjusting the  $g_m$  will change the gain of the compensation over the whole frequency range without moving the pole and zero location, as shown in Figure 28.

Adjusting the  $R_{COMP}$  will change the pole and zero location, as shown in Figure 29. It is recommended that the user determines the appropriate value for the  $g_m$  and  $R_{COMPn}$  using the LTPowerCAD tool.

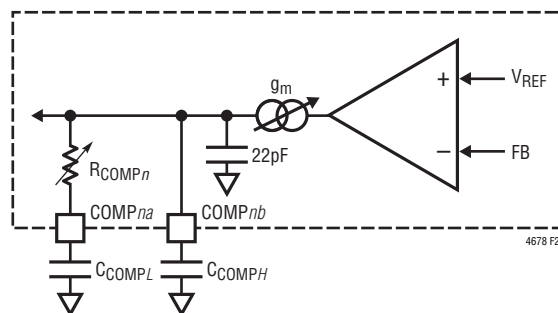


Figure 27. Programmable Loop Compensation

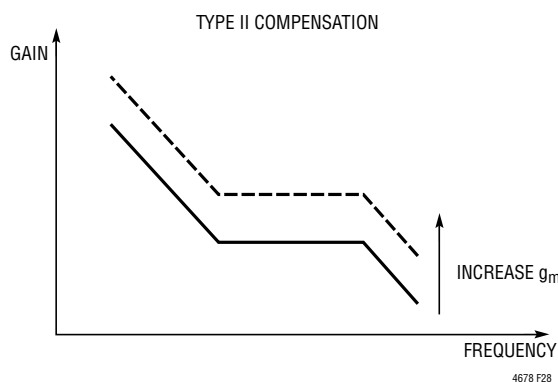
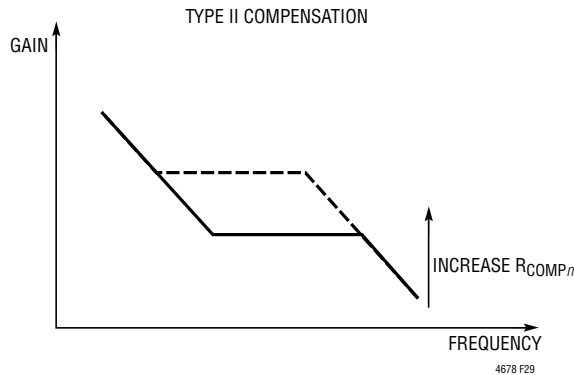


Figure 28. Error Amp  $g_m$  Adjust

## APPLICATIONS INFORMATION

Figure 29.  $R_{COMP}$  Adjust

## CHECKING TRANSIENT RESPONSE

The regulator loop response can be checked by looking at the load current transient response. Switching regulators take several cycles to respond to a step in DC (resistive) load current. When a load step occurs,  $V_{OUT}$  shifts by an amount equal to  $\Delta I_{LOAD}(ESR)$ , where ESR is the effective series resistance of  $C_{OUT}$ .  $\Delta I_{LOAD}$  also begins to charge or discharge  $C_{OUT}$  generating the feedback error signal that forces the regulator to adapt to the current change and return  $V_{OUT}$  to its steady-state value. During this recovery time  $V_{OUT}$  can be monitored for excessive overshoot or ringing, which would indicate a stability problem. The availability of the COMP pin not only allows optimization of control loop behavior but also provides a DC-coupled and AC-filtered closed-loop response test point. The DC step, rise time and settling at this test point truly reflects the closed-loop response. Assuming a predominantly second order system, phase margin and/or damping factor can be estimated using the percentage of overshoot seen at this pin. The bandwidth can also be estimated by examining the rise time at the pin. The COMP $n$ a external capacitor shown in the Typical Application circuit will provide an adequate starting point for most applications. The programmable parameters that affect loop gain are the voltage range, bit[1] of the MFR\_PWM\_CONFIG command, the current range bit[7] of the MFR\_PWM\_MODE command, the  $g_m$  of the PWM channel amplifier bits [7:5] of MFR\_PWM\_COMP, and the internal  $R_{COMP}$  compensation resistor, bits[4:0] of MFR\_PWM\_COMP. Be sure to establish these settings prior to compensation calculation.

The COMP $n$ a series internal  $R_{COMPn}$  and external  $C_{COMPna}$  filter sets the dominant pole-zero loop compensation. The internal  $R_{COMPn}$  value can be modified (from  $0\Omega$  to  $62k\Omega$ ) using bits[4:0] of the MFR\_PWM\_COMP command. Adjust the value of  $R_{COMPn}$  to optimize transient response once the final PCB layout is done and the particular  $C_{COMPbn}$  filter capacitor and output capacitor type and value have been determined. The output capacitors need to be selected because the various types and values determine the loop gain and phase. An output current pulse of 20% to 80% of full-load current having a rise time of  $1\mu s$  to  $10\mu s$  will produce output voltage and COMP pin waveforms that will give a sense of the overall loop stability without breaking the feedback loop. Placing a power MOSFET with a resistor to ground directly across the output capacitor and driving the gate with an appropriate signal generator is a practical way to produce to a load step. The MOSFET +  $R_{SERIES}$  will produce output currents approximately equal to  $V_{OUT}/R_{SERIES}$ .  $R_{SERIES}$  values from  $0.1\Omega$  to  $2\Omega$  are valid depending on the current limit settings and the programmed output voltage. The initial output voltage step resulting from the step change in output current may not be within the bandwidth of the feedback loop, so this signal cannot be used to determine phase margin. This is why it is better to look at the COMP pin signal which is in the feedback loop and is the filtered and compensated control loop response. The gain of the loop will be increased by increasing  $R_{COMP}$  and the bandwidth of the loop will be increased by decreasing  $C_{COMPna}$ . If  $R_{COMP}$  is increased by the same factor that  $C_{COMPL}$  is decreased, the zero frequency will be kept the same, thereby keeping the phase shift the same in the most critical frequency range of the feedback loop. The gain of the loop will be proportional to the transconductance of the error amplifier which is set using bits[7:5] of the MFR\_PWM\_COMP command. The output voltage settling behavior is related to the stability of the closed-loop system and will demonstrate the actual overall supply performance. A second, more severe transient is caused by switching in loads with large ( $>1\mu F$ ) supply bypass capacitors. The discharged bypass capacitors are effectively put in parallel with  $C_{OUT}$ , causing a rapid drop in  $V_{OUT}$ . No regulator can alter its delivery of current quickly enough to prevent this sudden step change

## APPLICATIONS INFORMATION

in output voltage if the load switch resistance is low and it is driven quickly. If the ratio of  $C_{LOAD}$  to  $C_{OUT}$  is greater than 1:50, the switch rise time should be controlled so that the load rise time is limited to approximately  $25 \cdot C_{LOAD}$ . Thus a  $10\mu\text{F}$  capacitor would require a  $250\mu\text{s}$  rise time, limiting the charging current to about 200mA.

### PolyPhase Configuration

When configuring a PolyPhase rail with multiple LTM4678s, the user must share the SYNC, COMP, SHARE\_CLK, FAULT, and ALERT pins of these parts. Be sure to use pull-up resistors on FAULT, SHARE\_CLK and ALERT. One of the part's SYNC pins must be set to the desired switching frequency, and all other FREQUENCY\_SWITCH commands must be set to External Clock. If an external oscillator is provided, set the FREQUENCY\_SWITCH command to External Clock for all parts. The relative phasing of all the channels should be spaced equally. The MFR\_RAIL\_ADDRESS of all the devices should be set to the same value.

Multiple channels need to tie all the  $V_{SENSE_n}^+$  pins together, and all the  $V_{SENSE_n}^-$  pins together, COMP<sub>na</sub> and COMP<sub>nb</sub> pins together as well. Do not assert bit[4] of MFR\_CONFIG\_ALL except in a PolyPhase application. See application example Figure 47.

### CONNECTING THE USB TO I<sup>2</sup>C/SMBUS/PMBUS CONTROLLER TO THE LTM4678 IN SYSTEM

The ADI USB-to-I<sup>2</sup>C/SMBus/PMBus adapter (DC1613A or equivalent) can be interfaced to the LTM4678 on the user's board for programming, telemetry and system debug. The adapter, when used in conjunction with LTpowerPlay, provides a powerful way to debug an entire power system. Faults are quickly diagnosed using telemetry, fault status commands and the fault log. The final configuration can be quickly developed and stored to the LTM4678 EEPROM. Figure 30 illustrates the application schematic for powering, programming and communication with one or more LTM4678s via the ADI I<sup>2</sup>C/SMBus/PMBus adapter regardless of whether or not system power is present. If system power is not present, the dongle will power the LTM4678 through the V<sub>DD33</sub> supply pin. To initialize the part when V<sub>IN</sub> is not applied and the V<sub>DD33</sub> pin is powered, use global address 0x5B command 0xBD data 0x2B followed by address 0x5B command 0xBD data 0xC4. The LTM4678 can now communicate with the internal EEPROM and read the project file utilizing Figure 30. Controller Connection can be updated. To write the updated project file to the NVM issue a STORE\_USER\_ALL command. When V<sub>IN</sub> is applied, a MFR\_RESET must be issued to allow the PWM POWER to be enabled and valid ADCs to be read.

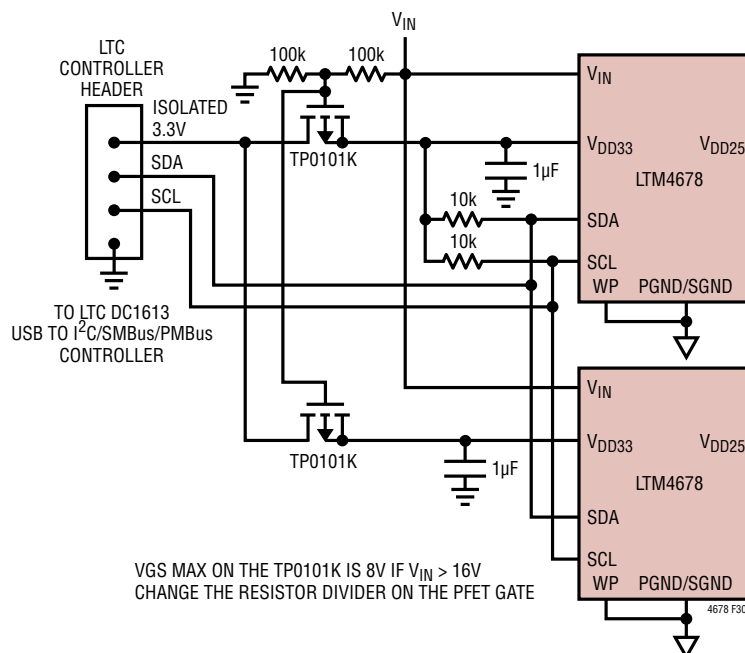


Figure 30. Controller Connection

## APPLICATIONS INFORMATION

Because of the adapter's limited current sourcing capability, only the LTM4678s, their associated pull-up resistors and the I<sup>2</sup>C pull-up resistors should be powered from the V<sub>DD33</sub> 3.3V supply. In addition any device sharing the I<sup>2</sup>C bus connections with the LTM4678 should not have body diodes between the SDA/SCL pins and their respective V<sub>DD</sub> node because this will interfere with bus communication in the absence of system power. If V<sub>IN</sub> is applied, the DC1613A will not supply the power to the LTM4678s on the board. It is recommended the RUN pins be held low or no voltage configuration resistors inserted to avoid providing power to the load until the part is fully configured.

The LTM4678 is fully isolated from the host PC's ground by the DC1613A. The 3.3V from the adapter and the LTM4678 V<sub>DD33</sub> pin must be driven to each LTM4678 with a separate PFET. If both V<sub>IN</sub> and EXT<sub>VCC</sub> are not applied, the V<sub>DD33</sub> pins can be in parallel because the on-chip LDO is off. The controller 3.3V current limit is 100mA but typical V<sub>DD33</sub> currents are under 15mA. The V<sub>DD33</sub> does back drive the INT<sub>VCC</sub>/EXT<sub>VCC</sub> pin. Normally this is not an issue if V<sub>IN</sub> is open.

### LTpowerPlay: AN INTERACTIVE GUI FOR DIGITAL POWER

LTpowerPlay (Figure 31) is a powerful Windows-based development environment that supports Analog Devices digital power system management ICs including the LTM4678. The software supports a variety of different tasks. LTpowerPlay can be used to evaluate Analog Devices ICs by connecting to a demo board or the user application. LTpowerPlay can also be used in an offline mode (with no hardware present) in order to build multiple IC configuration files that can be saved and reloaded at a later time. LTpowerPlay provides unprecedented diagnostic and debug features. It becomes a valuable diagnostic tool during board bring-up to program or tweak the power system or to diagnose power issues when bring up rails. LTpowerPlay utilizes Analog Devices' USB-to-I<sup>2</sup>C/SMBus/PMBus adapter to communication with one of the many potential targets including the DC2165A demo board, the

DC2298A socketed programming board, or a customer target system. The software also provides an automatic update feature to keep the revisions current with the latest set of device drivers and documentation.

A great deal of context sensitive help is available with LTpowerPlay along with several tutorial demos. Complete information is available at: [LTpowerPlay](#).

### PMBus COMMUNICATION AND COMMAND PROCESSING

The LTM4678 has a one deep buffer to hold the last data written for each supported command prior to processing as shown in Figure 32, Write Command Data Processing. When the part receives a new command from the bus, it copies the data into the Write Command Data Buffer, indicates to the internal processor that this command data needs to be fetched, and converts the command to its internal format so that it can be executed. Two distinct parallel blocks manage command buffering and command processing (fetch, convert, and execute) to ensure the last data written to any command is never lost. Command data buffering handles incoming PMBus writes by storing the command data to the Write Command Data Buffer and marking these commands for future processing. The internal processor runs in parallel and handles the sometimes slower task of fetching, converting and executing commands marked for processing. Some computationally intensive commands (e.g., timing parameters, temperatures, voltages and currents) have internal processor execution times that may be long relative to PMBus timing. If the part is busy processing a command, and new command(s) arrive, execution may be delayed or processed in a different order than received. The part indicates when internal calculations are in process via bit 5 of MFR\_COMMON ("calculations not pending"). When the part is busy calculating, bit 5 is cleared. When this bit is set, the part is ready for another command. An example polling loop is provided in Figure 33 which ensures that commands are processed in order while simplifying error handling routines.

# APPLICATIONS INFORMATION

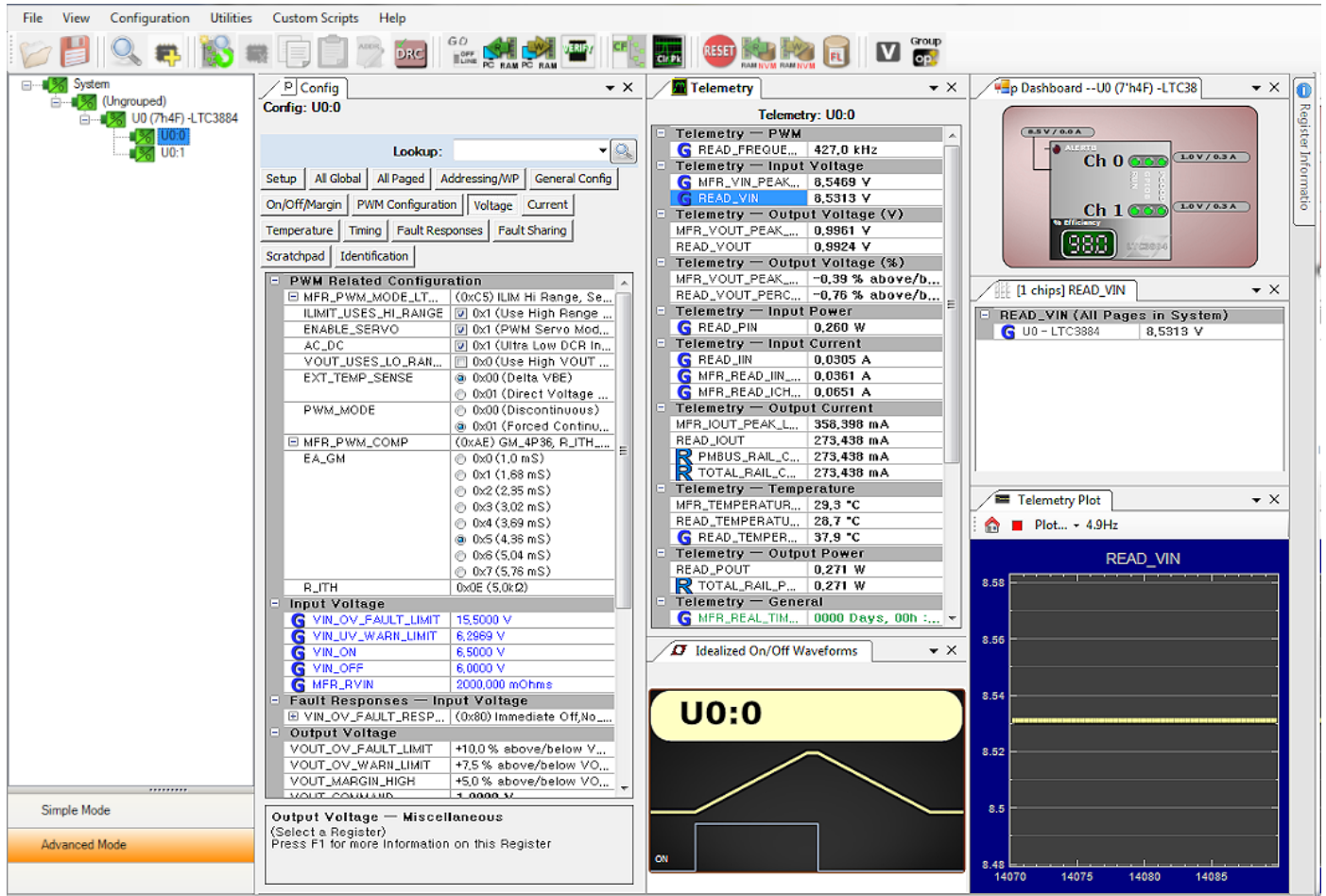


Figure 31. LTpowerPlay Screen Shot

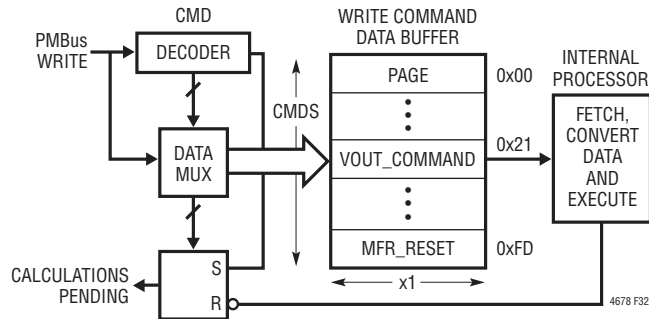


Figure 32. Write Command Data Processing

## APPLICATIONS INFORMATION

When the part receives a new command while it is busy, it will communicate this condition using standard PMBus protocol. Depending on part configuration it may either NACK the command or return all ones (0xFF) for reads. It may also generate a BUSY fault and  $\overline{\text{ALERT}}$  notification, or stretch the SCL clock low. For more information refer to PMBus Specification v1.1, Part II, Section 10.8.7 and SMBus v2.0 section 4.3.3. Clock stretching can be enabled by asserting bit 1 of MFR\_CONFIG\_ALL. Clock stretching will only occur if enabled and the bus communication speed exceeds 100kHz.

```
// wait until chip is not busy
do
{
mfrCommonValue = PMBUS_READ_BYTE(0xEF);
partReady = (mfrCommonValue & 0x68) ==
0x68;
}while(!partReady)

// now the part is ready to receive the
next command
PMBUS_WRITE_WORD(0x21, 0x2000); //write
VOUT_COMMAND to 2V
```

**Figure 33. Example of a Command Write of VOUT\_COMMAND**  
PMBus busy protocols are well accepted standards, but can make writing system level software somewhat complex. The part provides three ‘hand shaking’ status bits which reduce complexity while enabling robust system level communication.

The three hand shaking status bits are in the MFR\_COMMON register. When the part is busy executing an internal operation, it will clear bit 6 of MFR\_COMMON (‘chip not busy’). When the part is busy specifically because it is in a transitional  $V_{\text{OUT}}$  state (margining hi/lo, power off/on, moving to a new output voltage set point, etc.) it will clear bit 4 of MFR\_COMMON (‘output not in transition’). When internal calculations are in process, the part will clear bit 5 of MFR\_COMMON (‘calculations not pending’). These three status bits can be polled with a PMBus read byte of the MFR\_COMMON register until all three bits are set. A command immediately following the status bits being set will be accepted without NACKing or generating a BUSY fault/ALERT notification. The part can NACK commands for other reasons, however, as required by the PMBus spec (for instance, an invalid command or data).

An example of a robust command write algorithm for the VOUT\_COMMAND register is provided in Figure 33.

It is recommended that all command writes (write byte, write word, etc.) be preceded with a polling loop to avoid the extra complexity of dealing with busy behavior and unwanted  $\overline{\text{ALERT}}$  notification. A simple way to achieve this is to create a SAFE\_WRITE\_BYTE() and SAFE\_WRITE\_WORD() subroutine. The above polling mechanism allows your software to remain clean and simple while robustly communicating with the part. For a detailed discussion of these topics and other special cases please refer to Analog Devices [application notes](#).

When communicating using bus speeds at or below 100kHz, the polling mechanism shown here provides a simple solution that ensures robust communication without clock stretching. At bus speeds in excess of 100kHz, it is strongly recommended that the part be configured to enable clock stretching. This requires a PMBus master that supports clock stretching. System software that detects and properly recovers from the standard PMBus NACK/BUSY faults as described in the PMBus Specification v1.1, Part II, Section 10.8.7 is required to communicate. The LTM4678 is not recommended in applications with bus speeds in excess of 400kHz.

## THERMAL CONSIDERATIONS AND OUTPUT CURRENT DERATING

The thermal resistances reported in the Pin Configuration section of this data sheet are consistent with those parameters defined by JESD51-12 and are intended for use with finite element analysis (FEA) software modeling tools that leverage the outcome of thermal modeling, simulation, and correlation to hardware evaluation performed on a  $\mu$ Module package mounted to a hardware test board defined by JESD51-9 (“Test Boards for Area Array Surface Mount Package Thermal Measurements”). The motivation for providing these thermal coefficients is found in JESD51-12 (“Guidelines for Reporting and Using Electronic Package Thermal Information”).

Many designers may opt to use laboratory equipment and a test vehicle such as the demo board to predict the  $\mu$ Module regulator’s thermal performance in their appli-

## APPLICATIONS INFORMATION

cation at various electrical and environmental operating conditions to compliment any FEA activities. Without FEA software, the thermal resistances reported in the Pin Configuration section are in-and-of themselves not relevant to providing guidance of thermal performance; instead, the derating curves provided later in this data sheet can be used in a manner that yields insight and guidance pertaining to one's application-usage, and can be adapted to correlate thermal performance to one's own application.

The Pin Configuration section gives four thermal coefficients explicitly defined in JESD51-12; these coefficients are quoted or paraphrased below:

1.  $\theta_{JA}$ , the thermal resistance from junction to ambient, is the natural convection junction-to-ambient air thermal resistance measured in a one cubic foot sealed enclosure. This environment is sometimes referred to as "still air" although natural convection causes the air to move. This value is determined with the part mounted to a JESD51-9 defined test board, which does not reflect an actual application or viable operating condition.
2.  $\theta_{JCbottom}$ , the thermal resistance from junction to the bottom of the product case, is determined with all of the component power dissipation flowing through the bottom of the package. In the typical  $\mu$ Module regulator, the bulk of the heat flows out the bottom of the package, but there is always heat flow out into the ambient environment. As a result, this thermal resistance value may be useful for comparing pack-

ages but the test conditions don't generally match the user's application.

3.  $\theta_{JCtop}$ , the thermal resistance from junction to top of the product case, is determined with nearly all of the component power dissipation flowing through the top of the package. As the electrical connections of the typical  $\mu$ Module regulator are on the bottom of the package, it is rare for an application to operate such that most of the heat flows from the junction to the top of the part. As in the case of  $\theta_{JCbottom}$ , this value may be useful for comparing packages but the test conditions don't generally match the user's application.
4.  $\theta_{JB}$ , the thermal resistance from junction to the printed circuit board, is the junction-to-board thermal resistance where almost all of the heat flows through the bottom of the  $\mu$ Module regulator and into the board, and is really the sum of the  $\theta_{JCbottom}$  and the thermal resistance of the bottom of the part through the solder joints and through a portion of the board. The board temperature is measured a specified distance from the package, using a two sided, two layer board. This board is described in JESD51-9.

A graphical representation of the aforementioned thermal resistances is given in Figure 34; blue resistances are contained within the  $\mu$ Module regulator, whereas green resistances are external to the  $\mu$ Module package.

As a practical matter, it should be clear to the reader that no individual or sub-group of the four thermal resistance parameters defined by JESD51-12 or provided in the

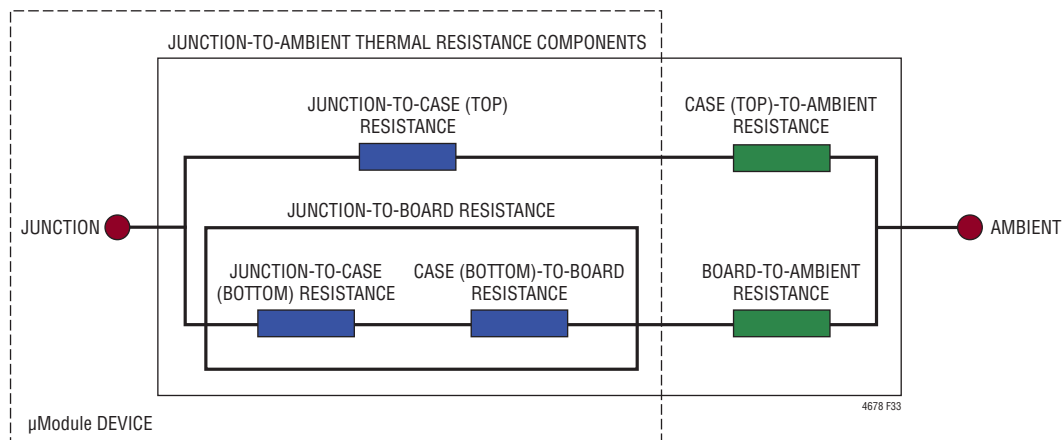


Figure 34. Graphical Representation of JESD51-12 Thermal Coefficients

## APPLICATIONS INFORMATION

Pin Configuration section replicates or conveys normal operating conditions of a  $\mu$ Module regulator. For example, in normal board-mounted applications, never does 100% of the device's total power loss (heat) thermally conduct exclusively through the top or exclusively through bottom of the  $\mu$ Module package—as the standard defines for  $\theta_{JCtop}$  and  $\theta_{JCbottom}$ , respectively. In practice, power loss is thermally dissipated in both directions away from the package—granted, in the absence of a heat sink and airflow, a majority of the heat flow is into the board.

Within the LTM4678, be aware there are multiple power devices and components dissipating power, with a consequence that the thermal resistances relative to different junctions of components or die are not exactly linear with respect to total package power loss. To reconcile this complication without sacrificing modeling simplicity—but also, not ignoring practical realities—an approach has been taken using FEA software modeling along with laboratory testing in a controlled-environment chamber to reasonably define and correlate the thermal resistance values supplied in this data sheet: (1) Initially, FEA software is used to accurately build the mechanical geometry of the LTM4678 and the specified PCB with all of the correct material coefficients along with accurate power loss source definitions; (2) this model simulates a software-defined JEDEC environment consistent with JESD51-9 and JESD51-12 to predict power loss heat flow and temperature readings at different interfaces that enable the calculation of the JEDEC-defined thermal resistance values; (3) the model and FEA software is used to evaluate the LTM4678 with heat sink and airflow; (4) having solved for and analyzed these thermal resistance values and simulated various operating conditions in the software model, a thorough laboratory evaluation replicates the simulated conditions with thermocouples within a controlled environment chamber while operating the device at the same power loss as that which was simulated. The outcome of this process and due diligence yields the set of derating curves provided in later sections of this data sheet, along with

well-correlated JESD51-12-defined  $\theta$  values provided in the Pin Configuration section of this data sheet.

The 5V, 8V and 12V power loss curves in Figure 35, Figure 36 and Figure 37 respectively can be used in coordination with the load current derating curves in Figure 38 to Figure 43 for calculating an approximate  $\theta_{JA}$  thermal resistance for the LTM4678 with airflow conditions. These thermal resistances represent demonstrated performance of the LTM4678 on hardware; a 6-layer FR4 PCB measuring 99mm  $\times$  130mm  $\times$  1.6mm using 2oz copper on all layers. The power loss curves are taken at room temperature, and are increased with multiplicative factors of 1.35 when the junction temperature reaches 125°C. The derating curves are plotted with the LTM4678's paralleled outputs initially sourcing up to 50A and the ambient temperature at 25°C. The output voltages are 0.9V and 1.8V. These are chosen to include the lower and higher output voltage ranges for correlating the thermal resistance. Thermal models are derived from several temperature measurements in a controlled temperature chamber along with thermal modeling analysis. The junction temperatures are monitored while ambient temperature is increased with and without airflow.

The power loss increase with ambient temperature change is factored into the derating curves. The junctions are maintained at 125°C maximum while lowering output current or power while increasing ambient temperature. The decreased output current decreases the internal module loss as ambient temperature is increased. The monitored junction temperature of 125°C minus the ambient operating temperature specifies how much module temperature rise can be allowed. As an example in Figure 40, the load current is derated to ~35A at ~73°C ambient with no air or heat sink and the room temperature (25°C) power loss for this 12V<sub>IN</sub> to 0.9V<sub>OUT</sub> at 35A<sub>OUT</sub> condition is ~4W. A 5.4W loss is calculated by multiplying the ~4W room temperature loss from the 12V<sub>IN</sub> to 0.9V<sub>OUT</sub> power loss curve at 35A (Figure 35), with the 1.35 multiplying factor. If the 73°C ambient temperature is subtracted from the 125°C junction temperature, then the difference of



## APPLICATIONS INFORMATION

52°C divided by 5.4W yields a thermal resistance,  $\theta_{JA}$ , of 9.6°C/W—in good agreement with Table 10. Table 10 and Table 11 provide equivalent thermal resistances for 0.9V and 1.8V outputs with and without airflow. The derived thermal resistances in Table 10 and Table 11 for the various conditions can be multiplied by the calculated power loss

as a function of ambient temperature to derive temperature rise above ambient, thus maximum junction temperature. Room temperature power loss can be derived from the efficiency curves in the Typical Performance Characteristics section and adjusted with the above ambient temperature multiplicative factors.

### TABLE 10 THRU TABLE 11: OUTPUT CURRENT DERATING

**Table 10. 0.9V Output**

DERATING CURVE	V <sub>IN</sub> (V)	POWER LOSS CURVE	AIRFLOW (LFM)	HEAT SINK	$\theta_{JA}$ (°C/W)
Figure 38, Figure 39, Figure 40	5, 8, 12	Figure 35, Figure 36, Figure 37	0	None	9
Figure 38, Figure 39, Figure 40	5, 8, 12	Figure 35, Figure 36, Figure 37	200	None	8
Figure 38, Figure 39, Figure 40	5, 8, 12	Figure 35, Figure 36, Figure 37	400	None	6.5

**Table 11. 1.8V Output**

DERATING CURVE	V <sub>IN</sub> (V)	POWER LOSS CURVE	AIRFLOW (LFM)	HEAT SINK	$\theta_{JA}$ (°C/W)
Figure 41, Figure 42, Figure 43	5, 8, 12	Figure 35, Figure 36, Figure 37	0	None	9
Figure 41, Figure 42, Figure 43	5, 8, 12	Figure 35, Figure 36, Figure 37	200	None	8
Figure 41, Figure 42, Figure 43	5, 8, 12	Figure 35, Figure 36, Figure 37	400	None	6.5

## APPLICATIONS INFORMATION

Table 12. Channel Output Voltage vs Component Selection, 0A to 12.5A/μs Load Step

Output Capacitor-GRM32ER60G337ME05L, 330μF, 4V, X5R, Murata

Low  $V_{OUT}$  Range for  $V_{OUT} \leq 2.5V$

High  $V_{OUT}$  Range for  $2.5V \leq V_{OUT}$

$I_{LIMIT}$  Range = High

$V_{IN}$ (V)	$V_{OUT}$ (V)	$C_{OUT}$ (CER CAP)	$C_{COMP B}$ (pF)	$C_{COMP A}$ (nF)	$R_{ITH}$ (kΩ)	EA-GM (ms)	$F_{SW}$ (kHz)	LOAD STEP (A)	PK-PK DEVIATION (mV)	RECOVERY TIME (μs)
5	0.9	330μFx5	150	3.3	7	2.35	350	0-12.5	140	25
12	0.9	330μFx5	150	3.3	7	2.35	350	0-12.5	150	25
16	0.9	330μFx5	150	3.3	7	2.35	350	0-12.5	150	25
5	0.9	330μFx7	150	3.3	7	3.69	350	0-12.5	100	25
12	0.9	330μFx7	150	3.3	7	3.69	350	0-12.5	100	25
16	0.9	330μFx7	150	3.3	7	3.69	350	0-12.5	100	25
5	1	330μFx7	150	3.3	7	3.69	350	0-12.5	100	25
12	1	330μFx7	150	3.3	7	3.69	350	0-12.5	100	25
16	1	330μFx7	150	3.3	7	3.69	350	0-12.5	100	25
5	1.2	330μFx5	150	3.3	7	2.35	350	0-12.5	140	25
12	1.2	330μFx5	150	3.3	7	2.35	350	0-12.5	150	25
16	1.2	330μFx5	150	3.3	7	2.35	350	0-12.5	150	25
5	1.5	330μFx5	150	3.3	7	2.35	500	0-12.5	145	25
12	1.5	330μFx5	150	3.3	7	2.35	500	0-12.5	145	25
16	1.5	330μFx5	150	3.3	7	2.35	500	0-12.5	145	25
5	1.8	330μFx5	150	3.3	7	2.35	575	0-12.5	150	25
12	1.8	330μFx5	150	3.3	7	2.35	575	0-12.5	150	25
16	1.8	330μFx5	150	3.3	7	2.35	575	0-12.5	150	25
6	2.5	330μFx5	150	3.3	7	2.35	575	0-12.5	170	25
12	2.5	330μFx5	150	3.3	7	2.35	575	0-12.5	160	25
16	2.5	330μFx5	150	3.3	7	2.35	575	0-12.5	160	25
7	3.3	330μFx5	150	3.3	7	3.69	750	0-12.5	200	25
12	3.3	330μFx5	150	3.3	7	3.69	750	0-12.5	190	25
16	3.3	330μFx5	150	3.3	7	3.69	750	0-12.5	190	25

## APPLICATIONS INFORMATION

**Table 13. Channel Output Voltage vs Component Selection, 0A to 12.5A/μs Load Step**
**Low V<sub>OUT</sub> Range for V<sub>OUT</sub> ≤ 2.5V**
**High V<sub>OUT</sub> Range for 2.5V ≤ V<sub>OUT</sub>**
**I<sub>LIMIT</sub> Range = High**

\*GRM32ER60J107M 100μF, 6.3V, 1210 X5R

\*\*2R5TPF 470M6L, 470μF, 2.5V 6mΩ, Used on Up to 1.8V Output

\*\*\*4TPF470ML, 470μF, 4V, 10mΩ, Used on 2.5V and 3.3V Output

V <sub>IN</sub> (V)	V <sub>OUT</sub> (V)	C <sub>OUT</sub> (CER CAP)	C <sub>OUT</sub> (BULK CAP)	C <sub>COMP B</sub> (pF)	C <sub>COMP A</sub> (nF)	R <sub>COMP<sub>n</sub></sub> (kΩ)	EA-GM (ms)	F <sub>SW</sub> (kHz)	LOAD STEP (A)	PK-PK DEVIATION (mV)	RECOVERY TIME (μs)
12	0.9	*100μFx3	**470μFx2	150	1.5	11	3.69	350	0-12.5	80	20
12	1	*100μFx3	**470μFx2	150	1.5	11	3.69	350	0-12.5	80	20
5	0.9	*100μFx2	**470μFx2	150	1.5	11	3.69	350	0-12.5	75	20
12	0.9	*100μFx2	**470μFx2	150	1.5	11	3.69	350	0-12.5	80	20
16	0.9	*100μFx2	**470μFx2	150	1.5	11	3.69	350	0-12.5	80	20
5	1	*100μFx2	**470μFx2	150	1.5	11	3.69	350	0-12.5	75	20
12	1	*100μFx2	**470μFx2	150	1.5	11	3.69	350	0-12.5	80	20
16	1	*100μFx2	**470μFx2	150	1.5	11	3.69	350	0-12.5	80	20
5	1.2	*100μFx2	**470μFx2	150	1.5	11	3.69	350	0-12.5	75	25
12	1.2	*100μFx2	**470μFx2	150	1.5	11	3.69	350	0-12.5	75	25
16	1.2	*100μFx2	**470μFx2	150	1.5	11	3.69	350	0-12.5	75	25
5	1.5	*100μFx2	**470μFx2	150	1.5	11	3.69	500	0-12.5	70	25
12	1.5	*100μFx2	**470μFx2	150	1.5	11	3.69	500	0-12.5	70	25
16	1.5	*100μFx2	**470μFx2	150	1.5	11	3.69	500	0-12.5	70	25
5	1.8	*100μFx2	**470μFx2	150	1.5	11	3.69	575	0-12.5	70	20
12	1.8	*100μFx2	**470μFx2	150	1.5	11	3.69	575	0-12.5	70	20
16	1.8	*100μFx2	**470μFx2	150	1.5	11	3.69	575	0-12.5	70	20
5	2.5	*100μFx2	***470μFx2	150	1.5	11	3.69	575	0-12.5	80	40
12	2.5	*100μFx2	***470μFx2	150	1.5	11	3.69	575	0-12.5	80	40
16	2.5	*100μFx2	***470μFx2	150	1.5	11	3.69	575	0-12.5	80	40
5	3.3	*100μFx2	***470μFx1	150	1.5	11	3.69	750	0-10	160	40
12	3.3	*100μFx2	***470μFx1	150	1.5	11	3.69	750	0-12.5	135	40
16	3.3	*100μFx2	***470μFx1	150	1.5	11	3.69	750	0-12.5	135	40
5	3.3	*100μFx2	***470μFx2	150	1.5	15	3.69	750	0-10	125	40
12	3.3	*100μFx2	***470μFx2	150	1.5	15	3.69	750	0-12.5	110	40
16	3.3	*100μFx2	***470μFx2	150	1.5	15	3.69	750	0-12.5	110	40

**Dual Phase Single Output – Ceramic and Poscap Output Capacitors**

V <sub>IN</sub> (V)	V <sub>OUT</sub> (V)	C <sub>OUT</sub> (CER CAP)	C <sub>OUT</sub> (BULK CAP)	C <sub>COMP B</sub> (pF)	C <sub>COMP A</sub> (nF)	R <sub>COMP<sub>n</sub></sub> (kΩ)	EA-GM (ms)	F <sub>SW</sub> (kHz)	LOAD STEP (A)	PK-PK DEVIATION (mV)	RECOVERY TIME (μs)
5.5	1	*100μFx6	**470μFx2	150	1.5	6	2.35	500	25-50	90	15
12	1	*100μFx6	**470μFx2	150	1.5	6	2.35	500	25-50	90	15
16	1	*100μFx6	**470μFx2	150	1.5	6	2.35	500	25-50	90	15
6	1.5	*100μFx6	**470μFx2	150	1.5	6	2.35	500	25-50	95	15
12	1.5	*100μFx6	**470μFx2	150	1.5	6	2.35	500	25-50	95	15
16	1.5	*100μFx6	**470μFx2	150	1.5	6	2.35	500	25-50	95	15
6	1.8	*100μFx6	**470μFx2	150	1.5	6	2.35	575	25-50	100	15
12	1.8	*100μFx6	**470μFx2	150	1.5	6	2.35	575	25-50	100	15
16	1.8	*100μFx6	**470μFx2	150	1.5	6	2.35	575	25-50	100	15

APPLICATIONS INFORMATION-DERATING CURVES

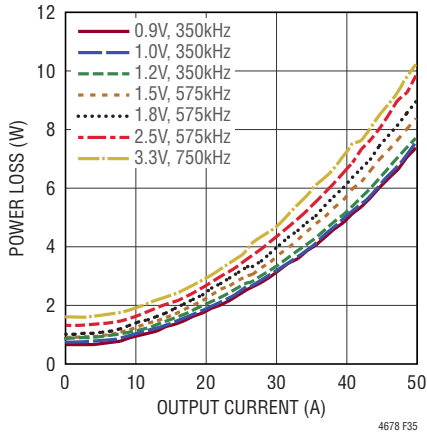


Figure 35. 5VIN Power Loss Curve

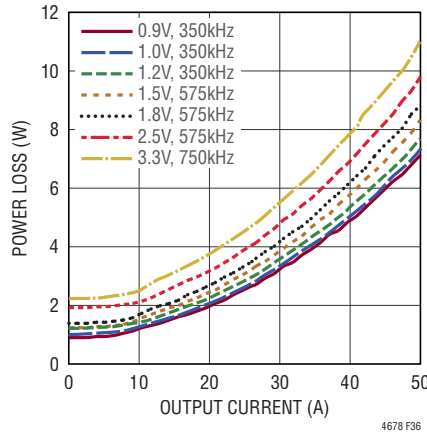


Figure 36. 8VIN Power Loss Curve

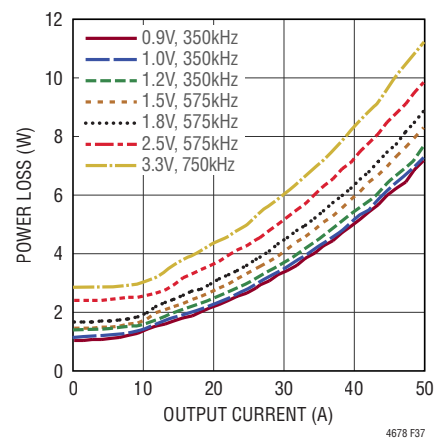


Figure 37. 12VIN Power Loss Curve

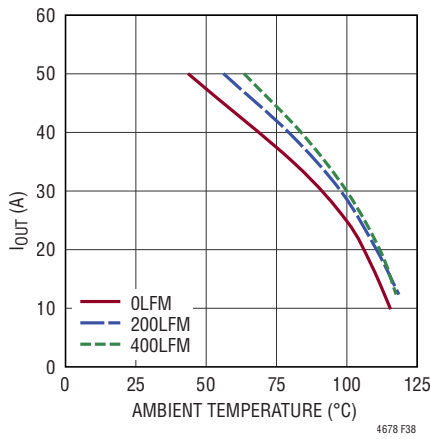


Figure 38. 5V to 0.9V Derating Curve, No Heat Sink

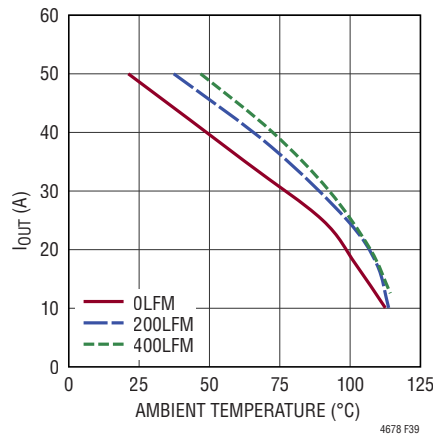


Figure 39. 8V to 0.9V Derating Curve, No Heat Sink

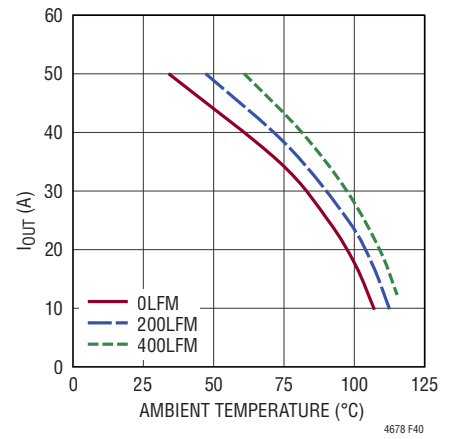


Figure 40. 12V to 0.9V Derating Curve, No Heat Sink

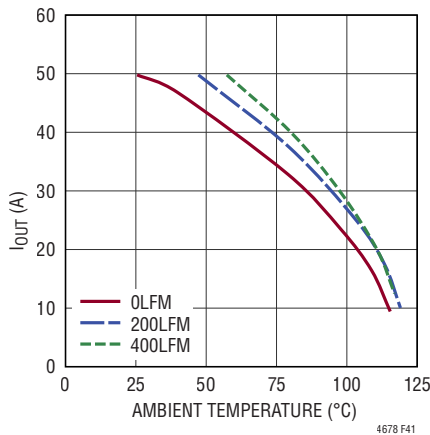


Figure 41. 5V to 1.8V Derating Curve, BGA No Heat Sink

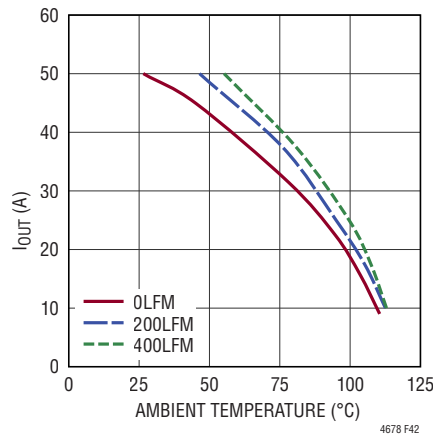


Figure 42. 8V to 1.8V Derating Curve, No Heat Sink

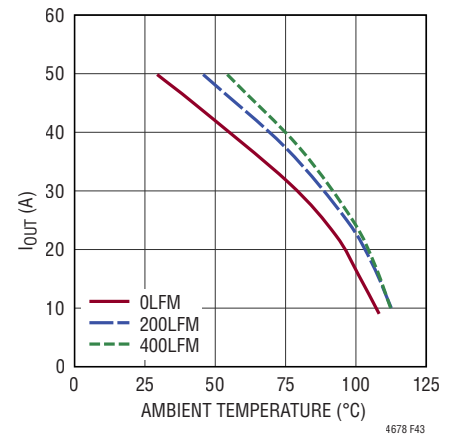


Figure 43. 12V to 1.8V Derating Curve, No Heat Sink

## APPLICATIONS INFORMATION

### EMI PERFORMANCE

The  $SW_n$  pin provides access to the midpoint of the power MOSFETs in LTM4678's power stages.

Connecting an optional series RC network from  $SW_n$  to GND can dampen high frequency (~30MHz+) switch node ringing caused by parasitic inductances and capacitances in the switched-current paths. The RC network is called a snubber circuit because it dampens (or "snubs") the resonance of the parasitics, at the expense of higher power loss. To use a snubber, choose first how much power to allocate to the task and how much PCB real estate is available to implement the snubber. For example, if PCB space allows a low inductance 0.5W resistor to be used then the capacitor in the snubber network ( $C_{SW}$ ) is computed by:

$$C_{SW} = \frac{P_{SNUB}}{V_{INn(MAX)}^2 \cdot f_{SW}}$$

where  $V_{INn(MAX)}$  is the maximum input voltage that the input to the power stage ( $V_{INn}$ ) will see in the application, and  $f_{SW}$  is the DC/DC converter's switching frequency of operation.  $C_{SW}$  should be NPO, COG or X7R-type (or better) material.

The snubber resistor ( $R_{SW}$ ) value is then given by:

$$R_{SW} = \sqrt{\frac{5nH}{C_{SW}}}$$

The snubber resistor should be low ESL and capable of withstanding the pulsed currents present in snubber circuits. A value between 0.7 $\Omega$  and 4.2 $\Omega$  is normal.

A 2.2nF snubber capacitor is a good value to start with in series with the snubber resistor to ground. The no load input quiescent current can be monitored while selecting different RC series snubber components to get a increased power loss versus switch node ringing attenuation.

### SAFETY CONSIDERATIONS

The LTM4678 modules do not provide galvanic isolation from  $V_{IN}$  to  $V_{OUT}$ . There is no internal fuse. If required, a slow blow fuse with a rating twice the maximum input current needs to be provided to protect each unit from catastrophic failure.

The fuse or circuit breaker should be selected to limit the current to the regulator during overvoltage in case of an internal top MOSFET fault. If the internal top MOSFET fails, then turning it off will not resolve the overvoltage, thus the internal bottom MOSFET will turn on indefinitely trying to protect the load. Under this fault condition, the input voltage will source very large currents to ground through the failed internal top MOSFET and enabled internal bottom MOSFET. This can cause excessive heat and board damage depending on how much power the input voltage can deliver to this system. A fuse or circuit breaker can be used as a secondary fault protector in this situation. The device does support over current and overtemperature protection.

### LAYOUT CHECKLIST/EXAMPLE

The high integration of LTM4678 makes the PCB board layout very simple and easy. However, to optimize its electrical and thermal performance, some layout considerations are still necessary.

- Use large PCB copper areas for high current paths, including  $V_{INn}$ , GND and  $V_{OUTn}$ . It helps to minimize the PCB conduction loss and thermal stress.
- Place high frequency ceramic input and output capacitors next to the  $V_{INn}$ , GND and  $V_{OUTn}$  pins to minimize high frequency noise.
- Place a dedicated power ground layer underneath the module.
- To minimize the via conduction loss and reduce module thermal stress, use multiple vias for interconnection between top layer and other power layers.

## APPLICATIONS INFORMATION

- Do not put vias directly on pads, unless they are capped or plated over.
- Use a separate SGND copper plane for components connected to signal pins. Connect SGND to GND local to the LTM4678.
- Use Kelvin sense connections across the input  $R_{SENSE}$  resistor if input current monitoring is used.

For parallel modules, tie the  $V_{OUTn}$ ,  $V_{OSNSn}^+/V_{OSNSn}$  voltage-sense differential pair lines,  $RUNn$ ,  $COMPna$ ,  $COMPnb$  pin together.

- The user must share the SYNC, SHARE\_CLK, FAULT, and  $\overline{ALERT}$  pins of these parts. Be sure to use pull-up resistors on  $\overline{FAULT}$ , SHARE\_CLK and  $\overline{ALERT}$ .
- Bring out test points on the signal pins for monitoring.

Figure 44 gives a good example of the recommended layout.

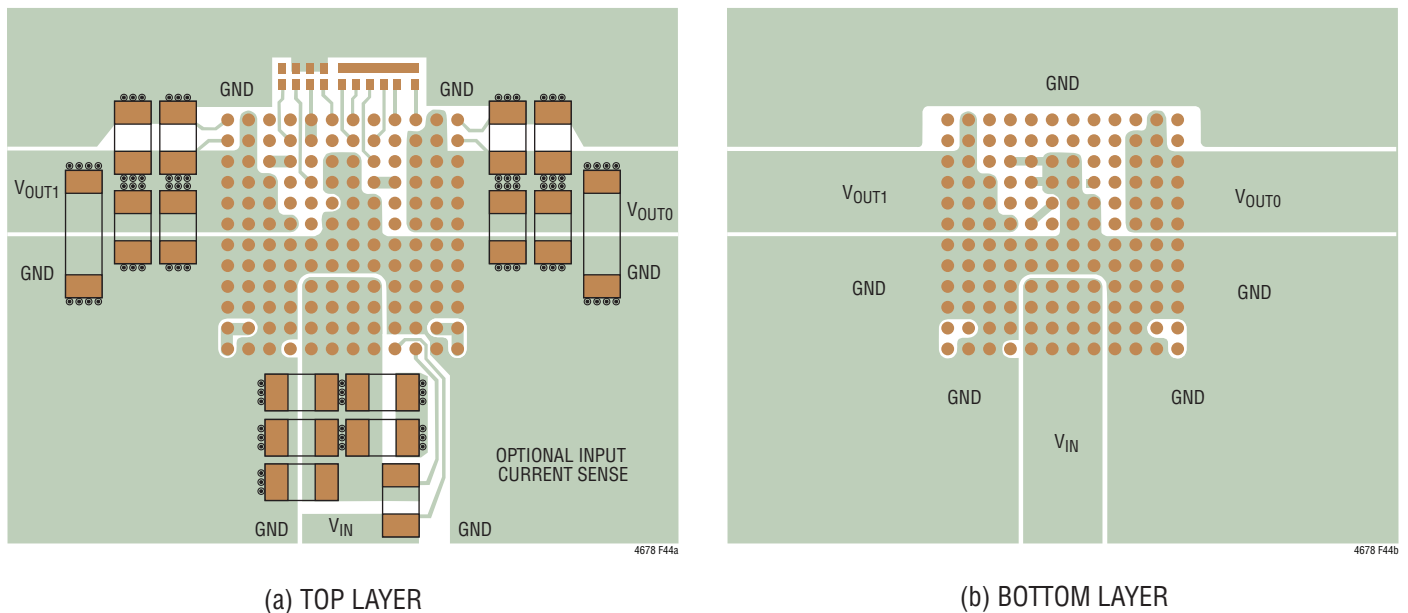
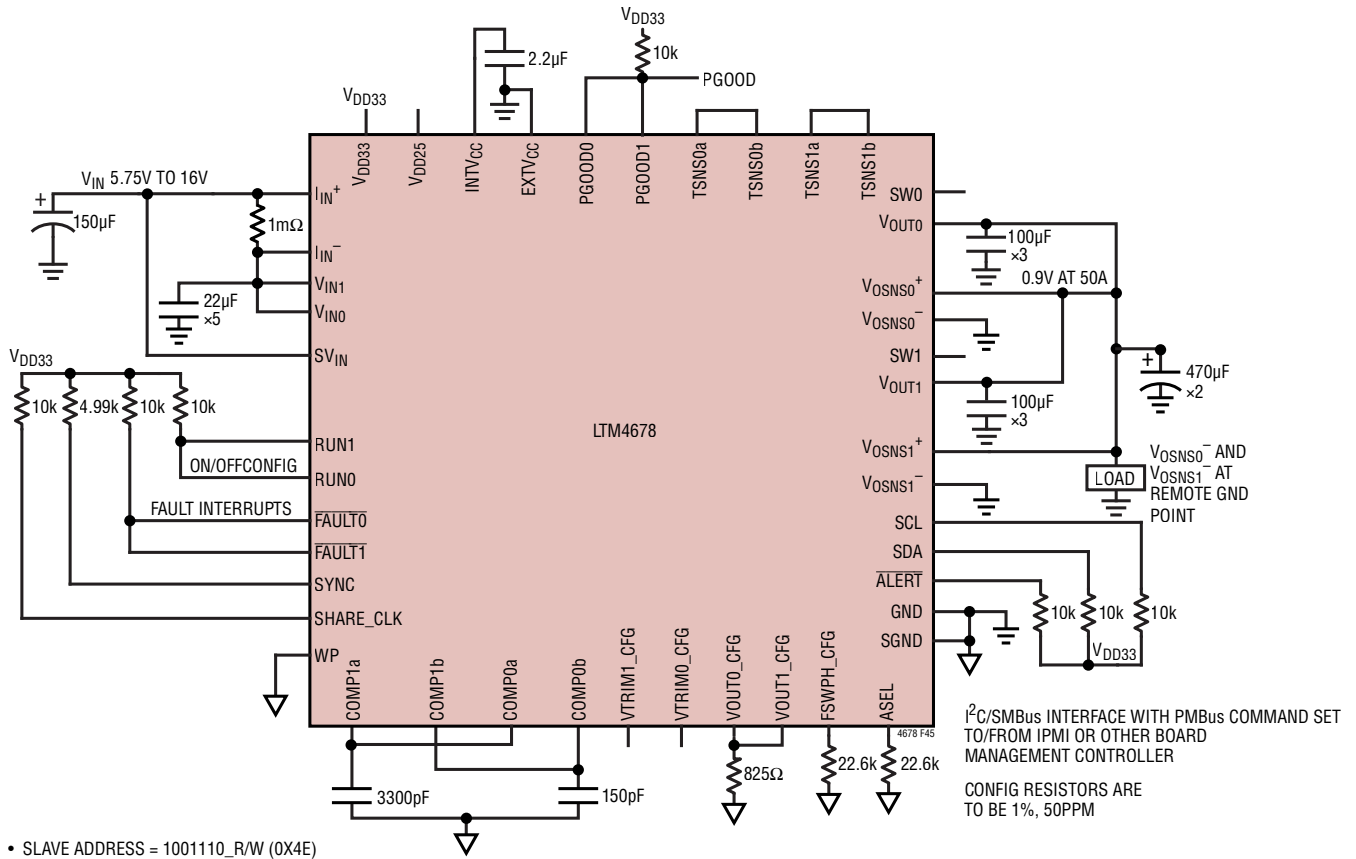


Figure 44. Recommended PCB Layout Package Top View

TYPICAL APPLICATIONS

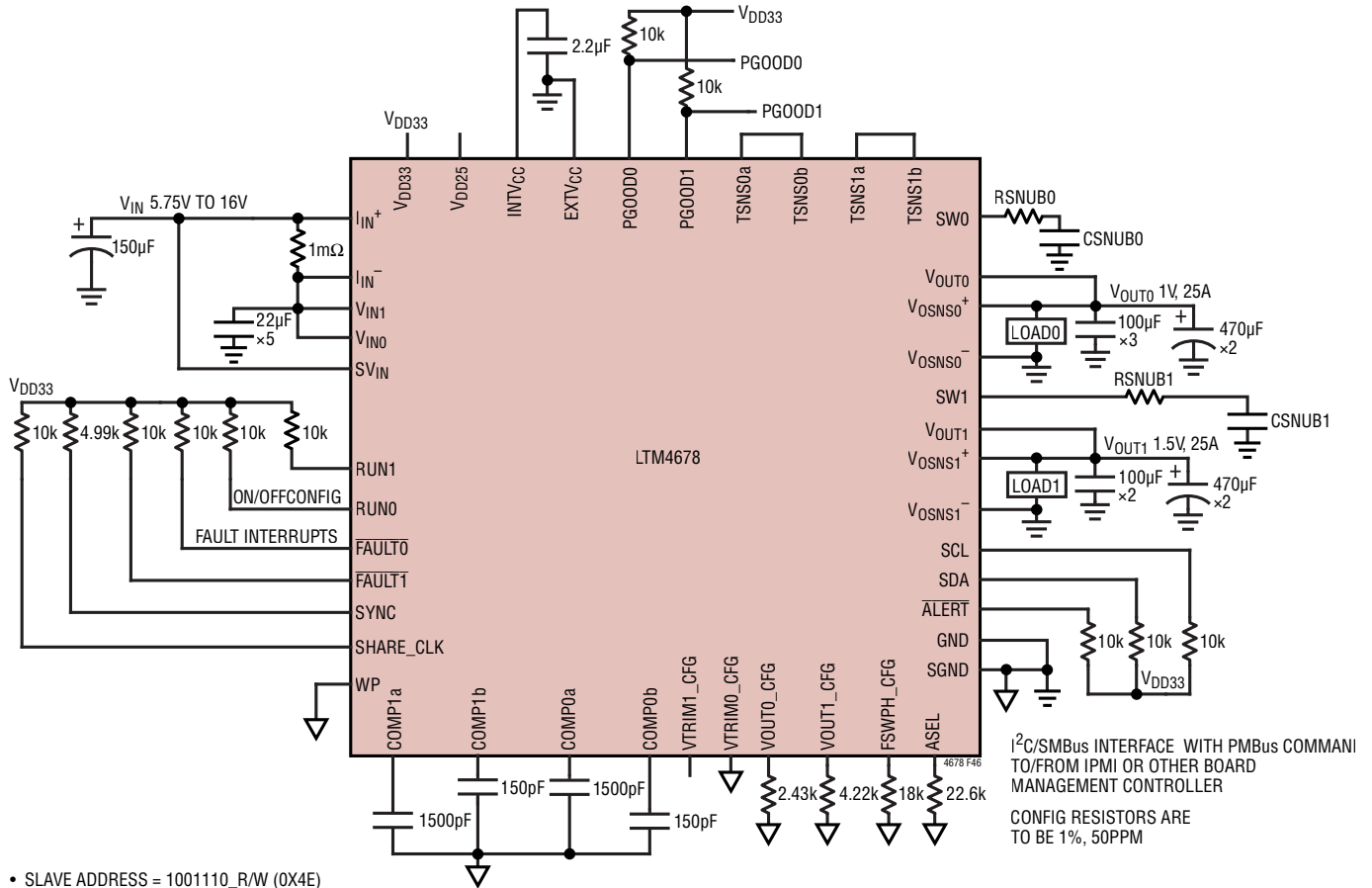


- SLAVE ADDRESS = 1001110\_R/W (0X4E)
- 350kHz SWITCHING FREQUENCY
- NO GUI CONFIGURATION AND NO PART-SPECIFIC PROGRAMMING REQUIRED
- IN MULTI-MODULE SYSTEMS, CONFIGURING RAIL\_ADDRESS IS RECOMMENDED
- $R_{COMP} = 6k\Omega$
- $GM = 2.35ms$
- $V_{OUT} RANGE = LOW$
- $I_{LIMIT} RANGE = HIGH$

I<sup>2</sup>C/SMBus INTERFACE WITH PMBus COMMAND SET TO/FROM IPMI OR OTHER BOARD MANAGEMENT CONTROLLER  
 CONFIG RESISTORS ARE TO BE 1%, 50PPM

Figure 45. 50A, 0.9V Output DC/DC µModule Regulator with I<sup>2</sup>C/SMBus/PMBus Serial Interface

## TYPICAL APPLICATIONS



- SLAVE ADDRESS = 1001110\_R/W (0X4E)
- 425kHz SWITCHING FREQUENCY
- NO GUI CONFIGURATION AND NO PART-SPECIFIC PROGRAMMING REQUIRED
- IN MULTI-MODULE SYSTEMS, CONFIGURING RAIL\_ADDRESS IS RECOMMENDED
- $V_{OUT1}$  AND  $V_{OUT0} = R_{COMP} = 11k\Omega$ ,  $GM = 3.69ms$ ,  $V_{OUT}$  RANGE = LOW AND  $I_{LIMIT}$  RANGE = HIGH

**Figure 46. 1.0V and 1.5V Outputs at 25A With Providing I<sup>2</sup>C/SMBus/PMBus Serial Interface**



TYPICAL APPLICATIONS

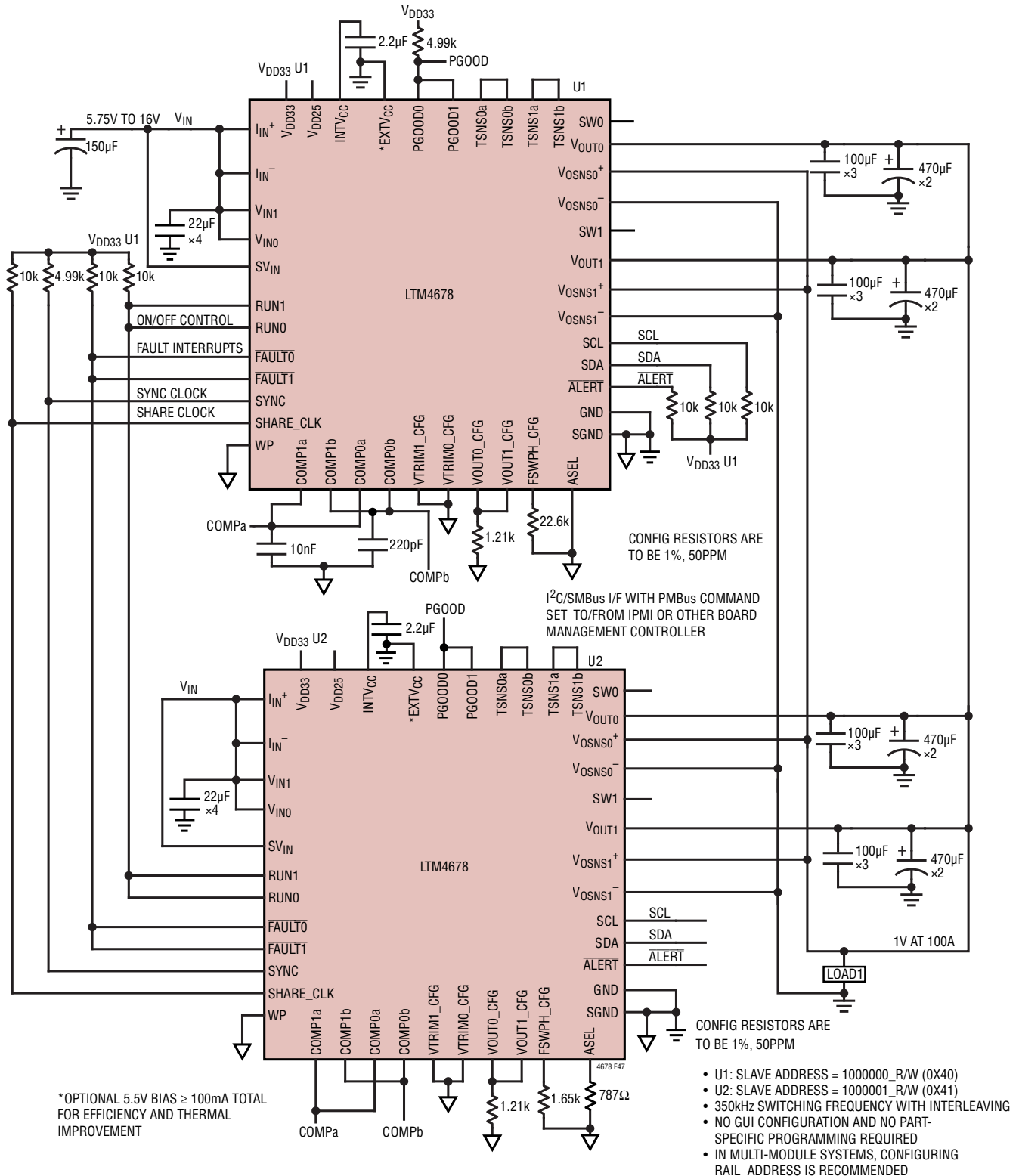
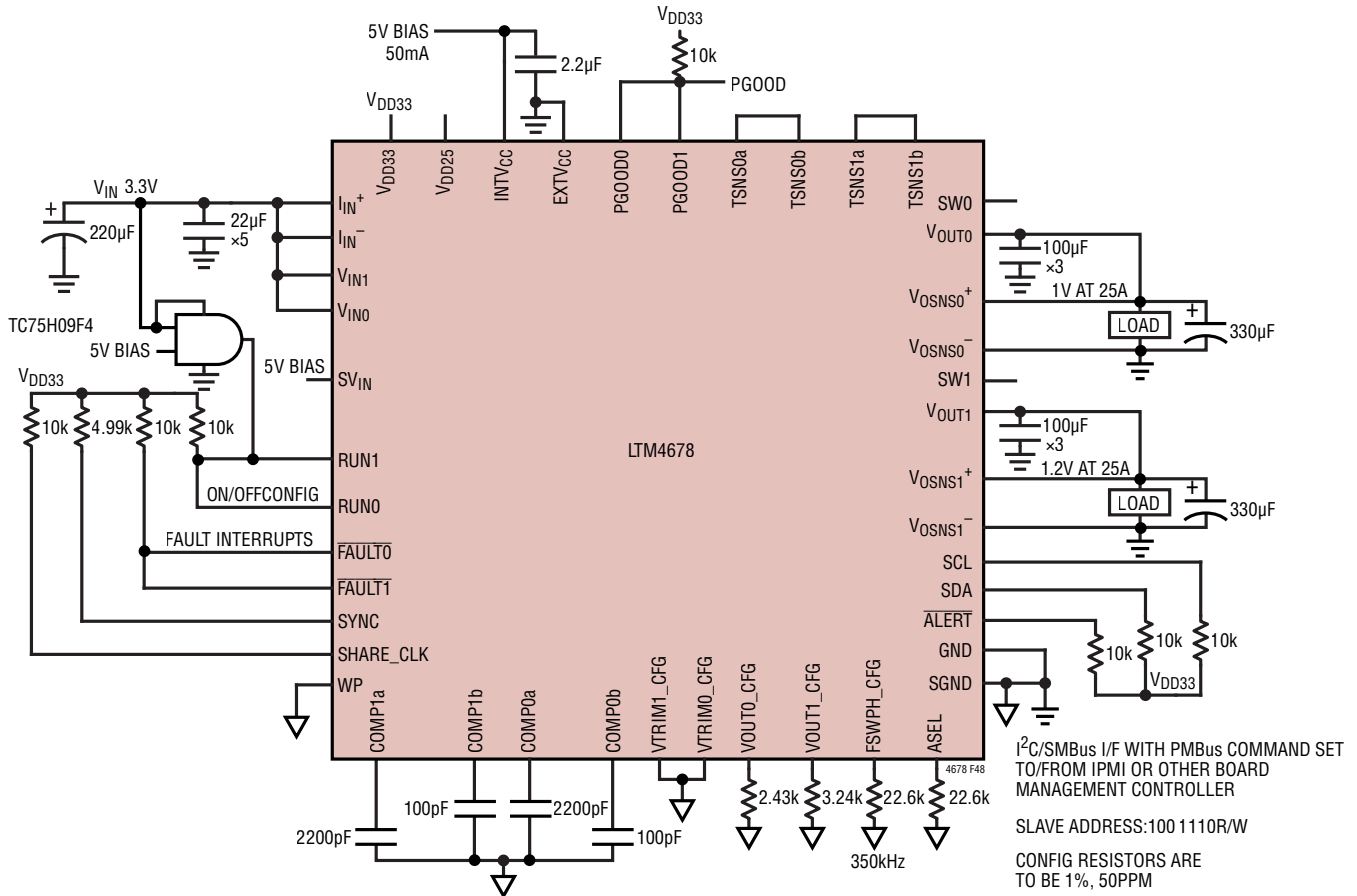


Figure 47. Two Paralleled LTM4678 Producing 1V<sub>OUT</sub> at 100A. Integrated Power System Management Features Accessible Over 2-Wire I<sup>2</sup>C/SMBus/PMBus Serial Interface, No Input Current Readback

## TYPICAL APPLICATIONS



•  $V_{OUT0}$  AND  $V_{OUT1} = R_{COMP} = 11k\Omega$ ,  $GM = 3.69ms$ ,  $V_{OUT}$  RANGE = LOW AND  $I_{LIMIT}$  RANGE = HIGH

**Figure 48. 1V and 1.2V Outputs Generated from 3.3V Power Input and Providing I<sup>2</sup>C/SMBus/PMBus Serial Interface**

TYPICAL APPLICATIONS

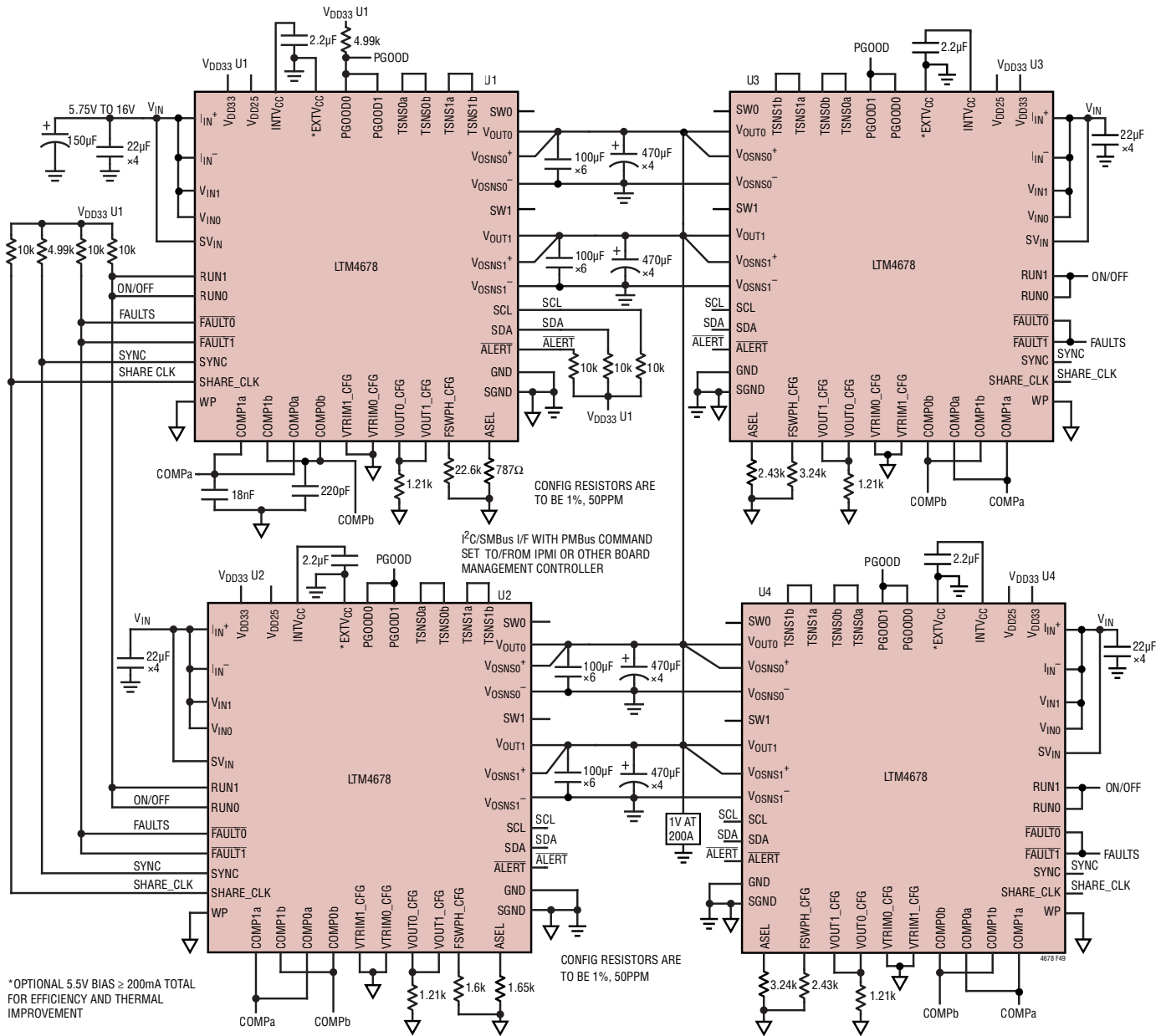


Figure 49. 8-Phase Operation with Four LTM4678 Producing 1V at 200A. Power System Management Features Accessible Through the LTM4678 2-Wire I<sup>2</sup>C/SMBus/PMBus Serial Interface

## PMBus COMMAND DETAILS

### ADDRESSING AND WRITE PROTECT

COMMAND NAME	CMD CODE	DESCRIPTION	TYPE	PAGED	DATA FORMAT	UNITS	NVM	DEFAULT VALUE
PAGE	0x00	Provides integration with multi-page PMBus devices.	R/W Byte	N	Reg			0x00
PAGE_PLUS_WRITE	0x05	Write a supported command directly to a PWM channel.	W Block	N				
PAGE_PLUS_READ	0x06	Read a supported command directly from a PWM channel.	Block R/W	N				
WRITE_PROTECT	0x10	Level of protection provided by the device against accidental changes.	R/W Byte	N	Reg		Y	0x00
MFR_ADDRESS	0xE6	Sets the 7-bit I <sup>2</sup> C address byte.	R/W Byte	N	Reg		Y	0x4F
MFR_RAIL_ADDRESS	0xFA	Common address for PolyPhase outputs to adjust common parameters.	R/W Byte	Y	Reg		Y	0x80

### PAGE

The PAGE command provides the ability to configure, control and monitor both PWM channels through only one physical address, either the MFR\_ADDRESS or GLOBAL device address. Each PAGE contains the operating commands for one PWM channel.

Pages 0x00 and 0x01 correspond to Channel 0 and Channel 1, respectively, in this device.

Setting PAGE to 0xFF applies any following paged commands to both outputs. With PAGE set to 0xFF the LTM4678 will respond to read commands as if PAGE were set to 0x00 (Channel 0 results).

This command has one data byte.

### PAGE\_PLUS\_WRITE

The PAGE\_PLUS\_WRITE command provides a way to set the page within a device, send a command, and then send the data for the command, all in one communication packet. Commands allowed by the present write protection level may be sent with PAGE\_PLUS\_WRITE.

The value stored in the PAGE command is not affected by PAGE\_PLUS\_WRITE. If PAGE\_PLUS\_WRITE is used to send a non-paged command, the Page Number byte is ignored.

This command uses Write Block protocol. An example of the PAGE\_PLUS\_WRITE command with PEC sending a command that has two data bytes is shown in Figure 50.

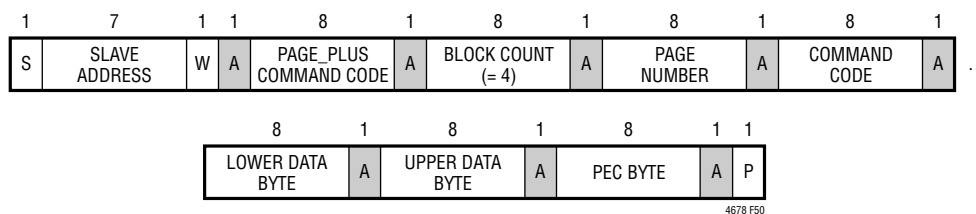


Figure 50. Example of PAGE\_PLUS\_WRITE

### PAGE\_PLUS\_READ

The PAGE\_PLUS\_READ command provides the ability to set the page within a device, send a command, and then read the data returned by the command, all in one communication packet.

## PMBus COMMAND DETAILS

The value stored in the PAGE command is not affected by PAGE\_PLUS\_READ. If PAGE\_PLUS\_READ is used to access data from a non-paged command, the Page Number byte is ignored.

This command uses the Process Call protocol. An example of the PAGE\_PLUS\_READ command with PEC is shown in Figure 51.

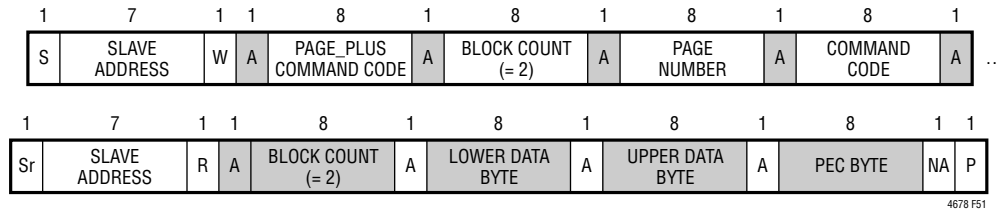


Figure 51. Example of PAGE\_PLUS\_READ

Note: PAGE\_PLUS commands cannot be nested. A PAGE\_PLUS command cannot be used to read or write another PAGE\_PLUS command. If this is attempted, the LTM4678 will NACK the entire PAGE\_PLUS packet and issue a CML fault for Invalid/Unsupported Data.

### WRITE\_PROTECT

The WRITE\_PROTECT command is used to control writing to the LTM4678 device. This command does not indicate the status of the WP pin which is defined in the MFR\_COMMON command. The WP pin takes precedence over the value of this command.

BYTE	MEANING
0x80	Disable all writes except to the WRITE_PROTECT, PAGE, MFR_EE_UNLOCK, and STORE_USER_ALL commands.
0x40	Disable all writes except to the WRITE_PROTECT, PAGE, MFR_EE_UNLOCK, MFR_CLEAR_PEAKS, STORE_USER_ALL, OPERATION and CLEAR_FAULTS command. Individual fault bits can be cleared by writing a 1 to the respective bits in the STATUS commands.
0x20	Disable all writes except to the WRITE_PROTECT, OPERATION, MFR_EE_UNLOCK, MFR_CLEAR_PEAKS, CLEAR_FAULTS, PAGE, ON_OFF_CONFIG, VOUT_COMMAND and STORE_USER_ALL. Individual fault bits can be cleared by writing a 1 to the respective bits in the STATUS commands.
0x10	Reserved, must be 0
0x08	Reserved, must be 0
0x04	Reserved, must be 0
0x02	Reserved, must be 0
0x01	Reserved, must be 0

Enable writes to all commands when WRITE\_PROTECT is set to 0x00.

If WP pin is high, PAGE, OPERATION, MFR\_CLEAR\_PEAKS, MFR\_EE\_UNLOCK, WRITE\_PROTECT and CLEAR\_FAULTS commands are supported. Individual fault bits can be cleared by writing a 1 to the respective bits in the STATUS commands.

## PMBus COMMAND DETAILS

### MFR\_ADDRESS

The MFR\_ADDRESS command byte sets the 7 bits of the PMBus slave address for this device.

Setting this command to a value of 0x80 disables device addressing. The GLOBAL device address, 0x5A and 0x5B, cannot be deactivated. If RCONFIG is set to ignore, the ASEL pin is still used to determine the LSB of the channel address. If the ASEL pin is open, the LTM4678 will use the lower 4 bits of the MFR\_ADDRESS value stored in NVM to construct the effective address of the part.

This command has one data byte.

### MFR\_RAIL\_ADDRESS

The MFR\_RAIL\_ADDRESS command enables direct device address access to the PAGE activated channel. The value of this command should be common to all devices attached to a single power supply rail.

The user should only perform command writes to this address. If a read is performed from this address and the rail devices do not respond with EXACTLY the same value, the LTM4678 will detect bus contention and may set a CML communications fault.

Setting this command to a value of 0x80 disables rail device addressing for the channel.

This command has one data byte.

## GENERAL CONFIGURATION COMMANDS

COMMAND NAME	CMD CODE	DESCRIPTION	TYPE	PAGED	DATA FORMAT	UNITS	NVM	DEFAULT VALUE
MFR_CHAN_CONFIG	0xD0	Configuration bits that are channel specific.	R/W Byte	Y	Reg		Y	0x1D
MFR_CONFIG_ALL	0xD1	General configuration bits.	R/W Byte	N	Reg		Y	0x21

### MFR\_CHAN\_CONFIG

General purpose configuration command common to multiple ADI products.

BIT	MEANING
7	Reserved
6	Reserved
5	Reserved
4	Disable RUN Low. When asserted the RUN pin is not pulsed low if commanded OFF.
3	Enable Short Cycle recognition if this bit is set to a 1.
2	SHARE_CLOCK control. If SHARE_CLOCK is held low, the output is disabled.
1	No FAULT ALERT, ALERT is not pulled low if FAULT is pulled low externally. Assert this bit if either POWER_GOOD or VOUT_UVUF are propagated on FAULT.
0	Disables the V <sub>OUT</sub> decay value requirement for MFR_RETRY_TIME and t <sub>OFF(MIN)</sub> processing. When this bit is set to a 0, the output must decay to less than 12.5% of the programmed value for any action that turns off the rail including a fault, an OFF/ON command, or a toggle of RUN from high to low to high.

This command has one data byte.

## PMBus COMMAND DETAILS

A ShortCycle event occurs whenever the PWM channel is commanded back ON, or reactivated, after the part has been commanded OFF and is processing either the TOFF\_DELAY or the TOFF\_FALL states. The PWM channel can be turned ON and OFF through either the RUN pin and or the PMBus OPERATION command.

If the PWM channel is reactivated during the TOFF\_DELAY, the part will perform the following:

1. Immediately tri-state the PWM channel output;
2. Start the retry delay timer as specified by the  $t_{OFF(MIN)}$ .
3. After the  $t_{OFF(MIN)}$  value has expired, the PWM channel will proceed to the TON\_DELAY state and the STATUS\_MFR\_SPECIFIC bit #1 will assert.

If the PWM channel is reactivated during the TOFF\_FALL, the part will perform the following:

1. Stop ramping down the PWM channel output;
2. Immediately tri-state the PWM channel output;
3. Start the retry delay timer as specified by the  $t_{OFF(MIN)}$ .
4. After the  $t_{OFF(MIN)}$  value has expired, the PWM channel will proceed to the TON\_DELAY state and the STATUS\_MFR\_SPECIFIC bit #1 will assert.

If the ShortCycle event occurs and the ShortCycle MFR\_CHAN\_CONFIG bit is not set, the PWM channel state machine will complete its TOFF\_DELAY and TOFF\_FALL operations as previously commanded by the user.

### MFR\_CONFIG\_ALL

General purpose configuration command common to multiple ADI products.

BIT	MEANING
7	Enable Fault Logging
6	Ignore Resistor Configuration Pins
5	Mask PMBus, Part II, Section 10.9.1 Violations
4	Disable SYNC output
3	Enable 255ms PMBus timeout
2	A valid PEC required for PMBus writes to be accepted. If this bit is not set, the part will accept commands with invalid PEC.
1	Enable the use of PMBus clock stretching
0	Execute CLEAR_FAULTS on rising edge of either RUN pin.

This command has one data byte.

### ON/OFF/MARGIN

COMMAND NAME	CMD CODE	DESCRIPTION	TYPE	PAGED	DATA FORMAT	UNITS	NVM	DEFAULT VALUE
ON_OFF_CONFIG	0x02	RUN pin and PMBus bus on/off command configuration.	R/W Byte	Y	Reg		Y	0x1E
OPERATION	0x01	Operating mode control. On/off, margin high and margin low.	R/W Byte	Y	Reg		Y	0x80
MFR_RESET	0xFD	Commanded reset without requiring a power-down.	Send Byte	N				NA

## PMBus COMMAND DETAILS

### ON\_OFF\_CONFIG

The ON\_OFF\_CONFIG command specifies the combination of RUN $n$  pin input state and PMBus commands needed to turn the PWM channel on and off.

#### Supported Values:

VALUE	MEANING
0x1F	OPERATION value and RUN $n$ pin must both command the device to start/run. Device executes immediate off when commanded off.
0x1E	OPERATION value and RUN $n$ pin must both command the device to start/run. Device uses TOFF_ command values when commanded off.
0x17	RUN $n$ pin control with immediate off when commanded off. OPERATION on/off control ignored.
0x16	RUN $n$ pin control using TOFF_ command values when commanded off. OPERATION on/off control ignored.

Programming an unsupported ON\_OFF\_CONFIG value will generate a CML fault and the command will be ignored.

This command has one data byte.

### OPERATION

The OPERATION command is used to turn the unit on and off in conjunction with the input from the RUN $n$  pins. It is also used to cause the unit to set the output voltage to the upper or lower MARGIN VOLTAGEs. The unit stays in the commanded operating mode until a subsequent OPERATION command or change in the state of the RUN $n$  pin instructs the device to change to another mode. If the part is stored in the MARGIN\_LOW/HIGH state, the next RESET or POWER\_ON cycle will ramp to that state. If the OPERATION command is modified, for example ON is changed to MARGIN\_LOW, the output will move at a fixed slope set by the VOUT\_TRANSITION\_RATE. The default operation command is sequence off. If  $V_{IN}$  is applied to a part with factory default programming and the VOUT\_CONFIG resistor configuration pins are not installed, the outputs will be commanded off.

The part defaults to the Sequence Off state.

This command has one data byte.

#### Supported Values:

VALUE	MEANING
0xA8	Margin high.
0x98	Margin low.
0x80	On ( $V_{OUT}$ back to nominal even if bit 3 of ON_OFF_CONFIG is not set).
0x40*	Soft off (with sequencing).
0x00*	Immediate off (no sequencing).

\*Device does not respond to these commands if bit 3 of ON\_OFF\_CONFIG is not set.

Programming an unsupported OPERATION value will generate a CML fault and the command will be ignored.

This command has one data byte.

### MFR\_RESET

This command provides a means to reset the LTM4678 from the serial bus. This forces the LTM4678 to turn off both PWM channels, load the operating memory from internal EEPROM, clear all faults and then perform a soft-start of both PWM channels, if enabled.

This write-only command has no data bytes.



## PMBus COMMAND DETAILS

### PWM CONFIGURATION

COMMAND NAME	CMD CODE	DESCRIPTION	TYPE	PAGED	DATA FORMAT	UNITS	NVM	DEFAULT VALUE
MFR_PWM_COMP	0xD3	PWM loop compensation configuration	R/W Byte	Y	Reg		Y	0x28
MFR_PWM_MODE	0xD4	Configuration for the PWM engine.	R/W Byte	Y	Reg		Y	0xC7
MFR_PWM_CONFIG	0xF5	Set numerous parameters for the DC/DC controller including phasing.	R/W Byte	N	Reg		Y	0x10
FREQUENCY_SWITCH	0x33	Switching frequency of the controller.	R/W Word	N	L11	kHz	Y	350 0xFABC

### MFR\_PWM\_MODE

The MFR\_PWM\_MODE command sets important PWM controls for each channel.

The MFR\_PWM\_MODE command allows the user to program the PWM controller to use discontinuous (pulse-skipping mode), or forced continuous conduction mode.

BIT	MEANING
7	Use High Range of I <sub>LIMIT</sub>
0b	Low Current Range
1b	High Current Range
6	Enable Servo Mode
5	External temperature sense: 0: ΔV <sub>BE</sub> measurement. Now reserved, ΔV <sub>BE</sub> only supported.
4	Page 0 Only: Use of TSNS <sub>1a</sub> -Sensed Temperature Telemetry 0 - Temperature sensed via TSNS <sub>1a</sub> is used to temperature-correct the current-sense information digitized by Channel 1's current sense input, ISNS <sub>1a+</sub> /ISNS <sub>1a-</sub> . 1 - Temperature sensed via TSNS <sub>0a</sub> is used to temperature-correct the current-sense information digitized by Channel 1's current sense input, ISNS <sub>1a+</sub> /ISNS <sub>1a-</sub> . Telemetry obtained from the thermal sensor connected to TSNS <sub>1a</sub> can be external to the module, if desired.
3	Reserved
2	Reserved, always low DCR current sense
1	V <sub>OUT</sub> Range
1b	The maximum output voltage is 2.75V
0b	The maximum output voltage is 3.6V
Bit[0]	Mode
0b	Discontinuous
1b	Forced Continuous

Bit [7] of this command determines if the part is in high range or low range of the IOUT\_OC\_FAULT\_LIMIT command. Changing this bit value changes the PWM loop gain and compensation. This bit value should not be changed when the channel output is active. Writing this bit when the channel is active will generate a CML fault.

Bit [6] The LTM4678 will not servo while the part is OFF, ramping on or ramping off. When set to a one, the output servo is enabled. The output set point DAC will be slowly adjusted to minimize the difference between the READ\_VOUT\_ADC and the VOUT\_COMMAND (or the appropriate margined value).

The LTM4678 computes temperature in °C from ΔV<sub>BE</sub> measured by the ADC at the TSNS<sub>n</sub> pin as

$$T = (G \cdot \Delta V_{BE} \cdot q / (K \cdot \ln(16))) - 273.15 + 0$$

## PMBus COMMAND DETAILS

For both equations,

$$G = \text{MFR\_TEMP\_1\_GAIN} \cdot 2^{-14}, \text{ and}$$

$$O = \text{MFR\_TEMP\_1\_OFFSET}$$

Bit[2] is now reserved, and Ultra Low DCR mode is default.

Bit[1] of this command determines if the part is in high range or low voltage range. Changing this bit value changes the PWM loop gain and compensation. This bit value should not be changed when the channel output is active. Writing this bit when the channel is active will generate a CML fault.

Bit[0] determines if the PWM mode of operation is discontinuous (pulse-skipping mode), or forced continuous conduction mode. Whenever the channel is ramping on, the PWM mode will be discontinuous, regardless of the value of this bit. This command has one data byte.

### ***MFR\_PWM\_COMP***

The MFR\_PWM\_COMP command sets the  $g_m$  of the PWM channel error amplifiers and the value of the internal  $R_{ITHn}$  compensation resistors. This command affects the loop gain of the PWM output which may require modifications to the external compensation network.

BIT	MEANING
<b>BIT [7:5]</b>	<b>Error Amplifier GM Adjust (ms)</b>
000b	1.00
001b	1.68
010b	2.35
011b	3.02
100b	3.69
101b	4.36
110b	5.04
111b	5.73
<b>BIT [4:0]</b>	<b><math>R_{ITH}</math> (k<math>\Omega</math>)</b>
00000b	0
00001b	0.25
00010b	0.5
00011b	0.75
00100b	1
00101b	1.25
00110b	1.5
00111b	1.75
01000b	2
01001b	2.5
01010b	3
01011b	3.5
01100b	4
01101b	4.5
01110b	5
01111b	5.5

## PMBus COMMAND DETAILS

10000b	6
10001b	7
10010b	8
10011b	9
10100b	11
10101b	13
10110b	15
10111b	17
11000b	20
11001b	24
11010b	28
11011b	32
11100b	38
11101b	46
11110b	54
11111b	62

This command has one data byte.

### ***MFR\_PWM\_CONFIG***

The MFR\_PWM\_CONFIG command sets the switching frequency phase offset with respect to the falling edge of the SYNC signal. The part must be in the OFF state to process this command. Either the RUN pins must be low or the channels must be commanded off. If either channel is in the RUN state and this command is written, the command will be NACK'd and a BUSY fault will be asserted.

BIT	MEANING	
7	Reserved	
[6:5]	Input current sense gain.	
00b	2x gain. 0mV to 50mV range.	
01b	4x gain. 0mV to 20mV range.	
10b	8x gain. 0mV to 5mV range.	
11b	Reserved	
4	Share Clock Enable : If this bit is 1, the SHARE_CLK pin will not be released until $V_{IN} > V_{IN\_ON}$ . The SHARE_CLK pin will be pulled low when $V_{IN} < V_{IN\_OFF}$ . If this bit is 0, the SHARE_CLK pin will not be pulled low when $V_{IN} < V_{IN\_OFF}$ except for the initial application of VIN.	
3	Reserved	
BIT [2:0]	CHANNEL 0 (DEGREES)	CHANNEL 1 (DEGREES)
000b	0	180
001b	90	270
010b	0	240
011b	0	120
100b	120	240
101b	60	240
110b	120	300

## PMBus COMMAND DETAILS

### FREQUENCY\_SWITCH

The FREQUENCY\_SWITCH command sets the switching frequency, in kHz, of the LTM4678.

#### Supported Frequencies:

VALUE [15:0]	RESULTING FREQUENCY (TYP)
0x0000	External Oscillator
0xF3E8	250kHz
0xFABC	350kHz
0xFB52	425kHz
0xFBE8	500kHz
0x023F	575kHz
0x028A	650kHz
0x02EE	750kHz
0x03E8	1000kHz

The part must be in the OFF state to process this command. The RUN pin must be low or both channels must be commanded off. If the part is in the RUN state and this command is written, the command will be NACK'd and a BUSY fault will be asserted. When the part is commanded off and the frequency is changed, a PLL\_UNLOCK status may be detected as the PLL locks onto the new frequency.

This command has two data bytes and is formatted in Linear\_5s\_11s format.

## VOLTAGE

### Input Voltage and Limits

COMMAND NAME	CMD CODE	DESCRIPTION	TYPE	PAGED	DATA FORMAT	UNITS	NVM	DEFAULT VALUE
VIN_OV_FAULT_LIMIT	0x55	Input supply overvoltage fault limit.	R/W Word	N	L11	V	Y	15.5 0xD3E0
VIN_UV_WARN_LIMIT	0x58	Input supply undervoltage warning limit.	R/W Word	N	L11	V	Y	4.65 D12A
VIN_ON	0x35	Input voltage at which the unit should start power conversion.	R/W Word	N	L11	V	Y	4.75 D130
VIN_OFF	0x36	Input voltage at which the unit should stop power conversion.	R/W Word	N	L11	V	Y	4.5 D120
MFR_ICHIP_CAL_GAIN	0xF7	The resistance value of the $V_{IN}$ pin filter element in milliohms	R/W Word	N	L11	mΩ	Y	1000 0x03E8

### VIN\_OV\_FAULT\_LIMIT

The VIN\_OV\_FAULT\_LIMIT command sets the value of the input voltage measured by the ADC, in volts, that causes an input overvoltage fault.

This command has two data bytes in Linear\_5s\_11s format.

## PMBus COMMAND DETAILS

### VIN\_UV\_WARN\_LIMIT

The VIN\_UV\_WARN\_LIMIT command sets the value of input voltage measured by the ADC that causes an input under-voltage warning. This warning is disabled until the input exceeds the input startup threshold value set by the VIN\_ON command and the unit has been enabled. If the  $V_{IN}$  Voltage drops below the VIN\_OV\_WARN\_LIMIT the device:

- Sets the INPUT Bit Is the STATUS\_WORD
- Sets the  $V_{IN}$  Undervoltage Warning Bit in the STATUS\_INPUT Command
- Notifies the Host by Asserting  $\overline{ALERT}$ , unless Masked

### VIN\_ON

The VIN\_ON command sets the input voltage, in Volts, at which the unit starts power conversion.

This command has two data bytes and is formatted in Linear\_5s\_11s format.

### VIN\_OFF

The VIN\_OFF command sets the input voltage, in Volts, at which the unit stops power conversion.

This command has two data bytes and is formatted in Linear\_5s\_11s format.

### MFR\_ICHIP\_CAL\_GAIN

The MFR\_ICHIP\_CAL\_GAIN command is used to set the resistance value of the  $V_{IN}$  pin filter element in milliohms. (See also READ\_VIN). Set MFR\_RVIN equal to 0 if no filter element is used.

This command has two data bytes and is formatted in Linear\_5s\_11s format.

## Output Voltage and Limits

COMMAND NAME	CMD CODE	DESCRIPTION	TYPE	PAGED	DATA FORMAT	UNITS	NVM	DEFAULT VALUE
VOUT_MODE	0x20	Output voltage format and exponent ( $2^{-12}$ ).	R Byte	Y	Reg			$2^{-12}$ 0x14
VOUT_MAX	0x24	Upper limit on the output voltage the unit can command regardless of any other commands.	R/W Word	Y	L16	V	Y	3.6 0x399A
VOUT_OV_FAULT_LIMIT	0x40	Output overvoltage fault limit.	R/W Word	Y	L16	V	Y	1.1 0x119A
VOUT_OV_WARN_LIMIT	0x42	Output overvoltage warning limit.	R/W Word	Y	L16	V	Y	1.075 0x1133
VOUT_MARGIN_HIGH	0x25	Margin high output voltage set point. Must be greater than VOUT_COMMAND.	R/W Word	Y	L16	V	Y	1.05 0x10CD
VOUT_COMMAND	0x21	Nominal output voltage set point.	R/W Word	Y	L16	V	Y	1.0 0x1000
VOUT_MARGIN_LOW	0x26	Margin low output voltage set point. Must be less than VOUT_COMMAND.	R/W Word	Y	L16	V	Y	0.95 0x0F33
VOUT_UV_WARN_LIMIT	0x43	Output undervoltage warning limit.	R/W Word	Y	L16	V	Y	0.925 0x0ECD
VOUT_UV_FAULT_LIMIT	0x44	Output undervoltage fault limit.	R/W Word	Y	L16	V	Y	0.9 0x0E66
MFR_VOUT_MAX	0xA5	Maximum allowed output voltage.	R Word	Y	L16	V		3.6 0x0399

## **PMBus COMMAND DETAILS**

### ***VOUT\_MODE***

The data byte for VOUT\_MODE command, used for commanding and reading output voltage, consists of a 3-bit mode (only linear format is supported) and a 5-bit parameter representing the exponent used in output voltage Read/Write commands.

This read-only command has one data byte.

### ***VOUT\_MAX***

The VOUT\_MAX command sets an upper limit on any voltage, including VOUT\_MARGIN\_HIGH, the unit can command regardless of any other commands or combinations. The maximum allowed value of this command is 3.6V. The maximum output voltage the LTM4678 can produce is 3.4V including VOUT\_MARGIN\_HIGH. However, the VOUT\_OV\_FAULT\_LIMIT can be commanded as high as 3.6V.

This command has two data bytes and is formatted in Linear\_16u format.

### ***VOUT\_OV\_FAULT\_LIMIT***

The VOUT\_OV\_FAULT\_LIMIT command sets the value of the output voltage measured by the OV supervisor comparator at the sense pins, in volts, which causes an output overvoltage fault.

If the VOUT\_OV\_FAULT\_LIMIT is modified and the part is in the RUN state, allow 10ms after the command is modified to assure the new value is being honored. The part indicates if it is busy making a calculation. Monitor bits 5 and 6 of MFR\_COMMON. Either bit is low if the part is busy. If this wait time is not honored and the VOUT\_COMMAND is modified above the old overvoltage limit, an OV condition might temporarily be detected resulting in undesirable behavior and possible damage to the switcher.

If VOUT\_OV\_FAULT\_RESPONSE is set to OV\_PULLDOWN or 0x00, the  $\overline{\text{FAULT}}$  pin will not assert if VOUT\_OV\_FAULT is propagated. The LTM4678 will pull the TG low and assert the BG bit as soon as the overvoltage condition is detected.

This command has two data bytes and is formatted in Linear\_16u format.

### ***VOUT\_OV\_WARN\_LIMIT***

The VOUT\_OV\_WARN\_LIMIT command sets the value of the output voltage measured by the ADC at the sense pins, in volts, which causes an output voltage high warning. The MFR\_VOUT\_PEAK value can be used to determine if this limit has been exceeded.

In response to the VOUT\_OV\_WARN\_LIMIT being exceeded, the device:

- Sets the NONE\_OF\_THE\_ABOVE bit in the STATUS\_BYTE
- Sets the VOUT bit in the STATUS\_WORD
- Sets the VOUT Overvoltage Warning bit in the STATUS\_VOUT command
- Notifies the host by asserting  $\overline{\text{ALERT}}$  pin, unless masked

This condition is detected by the ADC so the response time may be up to  $t_{\text{CONVERT}}$ .

This command has two data bytes and is formatted in Linear\_16u format.

## PMBus COMMAND DETAILS

### ***VOUT\_MARGIN\_HIGH***

The VOUT\_MARGIN\_HIGH command loads the unit with the voltage to which the output is to be changed, in Volts, when the OPERATION command is set to “Margin High”. The value should be greater than VOUT\_COMMAND. The maximum guaranteed value on VOUT\_MARGIN\_HIGH is 3.7V.

This command will not be acted on during TON\_RISE and TOFF\_FALL output sequencing. The VOUT\_TRANSITION\_RATE will be used if this command is modified while the output is active and in a steady-state condition.

This command has two data bytes and is formatted in Linear\_16u format.

### ***VOUT\_COMMAND***

The VOUT\_COMMAND consists of two bytes and is used to set the output voltage, in volts. The maximum guaranteed value on VOUT is 3.6V.

This command will not be acted on during TON\_RISE and TOFF\_FALL output sequencing. The VOUT\_TRANSITION\_RATE will be used if this command is modified while the output is active and in a steady-state condition.

This command has two data bytes and is formatted in Linear\_16u format.

### ***VOUT\_MARGIN\_LOW***

The VOUT\_MARGIN\_LOW command loads the unit with the voltage to which the output is to be changed, in volts, when the OPERATION command is set to “Margin Low”. The value must be less than VOUT\_COMMAND.

This command will not be acted on during TON\_RISE and TOFF\_FALL output sequencing. The VOUT\_TRANSITION\_RATE will be used if this command is modified while the output is active and in a steady-state condition.

This command has two data bytes and is formatted in Linear\_16u format.

### ***VOUT\_UV\_WARN\_LIMIT***

The VOUT\_UV\_WARN\_LIMIT command reads the value of the output voltage measured by the ADC at the sense pins, in volts, which causes an output voltage low warning.

In response to the VOUT\_UV\_WARN\_LIMIT being exceeded, the device:

- Sets the NONE\_OF\_THE\_ABOVE bit in the STATUS\_BYTE
- Sets the VOUT bit in the STATUS\_WORD
- Sets the VOUT Undervoltage Warning bit in the STATUS\_VOUT command
- Notifies the host by asserting  $\overline{\text{ALERT}}$  pin, unless masked

This command has two data bytes and is formatted in Linear\_16u format.

### ***VOUT\_UV\_FAULT\_LIMIT***

The VOUT\_UV\_FAULT\_LIMIT command reads the value of the output voltage measured by the UV supervisor comparator at the sense pins, in volts, which causes an output undervoltage fault.

This command has two data bytes and is formatted in Linear\_16u format.

## PMBus COMMAND DETAILS

### MFR\_VOUT\_MAX

The MFR\_VOUT\_MAX command is the maximum output voltage in volts for each channel, including VOUT\_OV\_FAULT\_LIMIT. If the output voltages are set to high range (Bit 6 of MFR\_PWM\_CONFIG set to a 0) MFR\_VOUT\_MAX is 3.6V. If the output voltage is set to low range (Bit 6 of MFR\_PWM\_CONFIG set to a 1) the MFR\_VOUT\_MAX is 2.75V. Entering a VOUT\_COMMAND value greater than this will result in a CML fault and the output voltage setting will be clamped to the maximum level. This will also result in Bit 3 VOUT\_MAX\_Warning in the STATUS\_VOUT command being set.

This read only command has 2 data bytes and is formatted in Linear\_16u format.

### OUTPUT CURRENT AND LIMITS

COMMAND NAME	CMD CODE	DESCRIPTION	TYPE	PAGED	DATA FORMAT	UNITS	NVM	DEFAULT VALUE
MFR_IOUT_CAL_GAIN	0xDA	The ratio of the voltage at the current sense pins to the sensed current. For devices using a fixed current sense resistor, it is the resistance value in mΩ.	R Word	Y	L11	mΩ	Factory Only NVM	0.68 Typical 0xD02C
MFR_IOUT_CAL_GAIN_TC	0xF6	Temperature coefficient of the current sensing element.	R/W Word	Y	CF		Y	3800 0x0ED8
IOUT_OC_FAULT_LIMIT	0x46	Output overcurrent fault limit.	R/W Word	Y	L11	A	Y	40.0 0xE280
IOUT_OC_WARN_LIMIT	0x4A	Output overcurrent warning limit.	R/W Word	Y	L11	A	Y	30.0 0xDBC0

### MFR\_IOUT\_CAL\_GAIN

The MFR\_IOUT\_CAL\_GAIN command is used to set the resistance value of the current sense resistor in milliohms. (see also MFR\_IOUT\_CAL\_GAIN\_TC).

This command has two data bytes and is formatted in Linear\_5s\_11s format.

### MFR\_IOUT\_CAL\_GAIN\_TC

The MFR\_IOUT\_CAL\_GAIN\_TC command allows the user to program the temperature coefficient of the MFR\_IOUT\_CAL\_GAIN sense resistor or inductor DCR in ppm/°C.

This command has two data bytes and is formatted in 16-bit 2's complement integer ppm.  $N = -32768$  to  $32767 \cdot 10^{-6}$ . Nominal temperature is 27°C. The MFR\_IOUT\_CAL\_GAIN is multiplied by:

$$[1.0 + \text{MFR\_IOUT\_CAL\_GAIN\_TC} \cdot (\text{READ\_TEMPERATURE\_1-27})].$$

DCR sensing will have a typical value of 3900.

The MFR\_IOUT\_CAL\_GAIN and MFR\_IOUT\_CAL\_GAIN\_TC impact all current parameters including: READ\_IOUT, MFR\_IOUT\_PEAK, IOUT\_OC\_FAULT\_LIMIT and IOUT\_OC\_WARN\_LIMIT.



## PMBus COMMAND DETAILS

### IOUT\_OC\_FAULT\_LIMIT

The IOUT\_OC\_FAULT\_LIMIT command sets the value of the peak output current limit, in Amperes. When the controller is in current limit, the overcurrent detector will indicate an overcurrent fault condition. The following table lists the programmable peak output current limit value in mV between  $I_{SENSE}^+$  and  $I_{SENSE}^-$ . The actual value of current limit is  $(I_{SENSE}^+ - I_{SENSE}^-)/MFR\_IOUT\_CAL\_GAIN$  in Amperes.

BASED ON INDUCTOR CURRENT = 50% OF MAX LOAD OF 25A FOR WORSE CASE, THESE ARE APPROXIMATES, SO USE GUARDBAND AND CHECK					
MFR_PWM_MODE[7] = 1 High Current Range (mV)	~ILPeak (A)	~IOUT (A)	MFR_PWM_MODE[7] = 0 Low Current Range (mV)	~ ILPeak (A)	~ IOUT (A)
17.73	26.07	20.07	9.85	14.49	8.49
18.86	27.35	21.35	10.48	15.41	9.41
20.42	30.03	24.03	11.34	16.68	10.68
21.14	31.09	25.09	11.74	17.26	11.26
22.27	32.75	26.75	12.37	18.19	12.19
23.41	34.43	28.43	13.01	19.13	13.13
24.55	36.10	30.10	13.64	20.06	14.06

Note: This is the peak of the current waveform. The READ\_IOUT command returns the average current. The peak output current limits are adjusted with temperature based on the MFR\_IOUT\_CAL\_GAIN\_TC using the equation:

$$\text{Peak Current Limit} = \text{MFR\_IOUT\_CAL\_GAIN} \cdot (1 + \text{MFR\_IOUT\_CAL\_GAIN\_TC} \cdot (\text{READ\_TEMPERTURE}_1 - 27.0)).$$

MFR\_IOUT\_CAL\_GAIN is Set at Production Test.

The LTM4678 automatically convert currents to the appropriate internal bit value.

The IOUT range is set with bit 7 of the MFR\_PWM\_MODE command.

The IOUT\_OC\_FAULT\_LIMIT is ignored during TON\_RISE and TOFF\_FALL.

If the IOUT\_OC\_FAULT\_LIMIT is exceeded, the device:

- Sets the IOUT bit in the STATUS word
- Sets the IOUT Overcurrent fault bit in the STATUS\_IOUT
- Notifies the host by asserting  $\overline{\text{ALERT}}$ , unless masked

This command has two data bytes and is formatted in Linear\_5s\_11s format.

## PMBus COMMAND DETAILS

### IOUT\_OC\_WARN\_LIMIT

This command sets the value of the output current measured by the ADC that causes an output overcurrent warning in Amperes. The READ\_IOUT value will be used to determine if this limit has been exceeded.

In response to the IOUT\_OC\_WARN\_LIMIT being exceeded, the device:

- Sets the NONE\_OF\_THE\_ABOVE bit in the STATUS\_BYTE
- Sets the IOUT bit in the STATUS\_WORD
- Sets the IOUT Overcurrent Warning bit in the STATUS\_IOUT command, and
- Notifies the host by asserting  $\overline{\text{ALERT}}$  pin, unless masked

The IOUT\_OC\_FAULT\_LIMIT is ignored during TON\_RISE and TOFF\_FALL.

This command has two data bytes and is formatted in Linear\_5s\_11s format

### Input Current and Limits

COMMAND NAME	CMD CODE	DESCRIPTION	TYPE	DATA FORMAT	UNITS	NVM	DEFAULT VALUE
MFR_IIN_CAL_GAIN	0xE8	The resistance value of the input current sense element in m $\Omega$ .	R/W Word	L11	m $\Omega$	Y	2.000 0xC200

### MFR\_IIN\_CAL\_GAIN

The MFR\_IIN\_CAL\_GAIN command is used to set the resistance value of the input current sense resistor in milliohms. (see also READ\_IIN).

This command has two data bytes and is formatted in Linear\_5s\_11s format.

COMMAND NAME	CMD CODE	DESCRIPTION	TYPE	PAGED	DATA FORMAT	UNITS	NVM	DEFAULT VALUE
IIN_OC_WARN_LIMIT	0x5D	Input overcurrent warning limit.	R/W Word	N	L11	A	Y	10.0 0xD280

### IIN\_OC\_WARN\_LIMIT

The IIN\_OC\_WARN\_LIMIT command sets the value of the input current measured by the ADC, in amperes, that causes a warning indicating the input current is high. The READ\_IIN value will be used to determine if this limit has been exceeded.

In response to the IIN\_OC\_WARN\_LIMIT being exceeded, the device:

- Sets the OTHER bit in the STATUS\_BYTE
- Sets the INPUT bit in the upper byte of the STATUS\_WORD
- Sets the IIN Overcurrent Warning bit[1] in the STATUS\_INPUT command, and
- Notifies the host by asserting  $\overline{\text{ALERT}}$  pin

This command has two data bytes and is formatted in Linear\_5s\_11s format.

## PMBus COMMAND DETAILS

### TEMPERATURE

#### Power Stage DCR Temperature Calibration

COMMAND NAME	CMD CODE	DESCRIPTION	TYPE	PAGED	DATA FORMAT	UNITS	NVM	DEFAULT VALUE
MFR_TEMP_1_GAIN	0xF8	Sets the slope of the external temperature sensor.	R/W Word	Y	CF		Y	0.995 0x3FAE
MFR_TEMP_1_OFFSET	0xF9	Sets the offset of the external temperature sensor.	R/W Word	Y	L11	C	Y	0.0 0x8000

#### ***MFR\_TEMP\_1\_GAIN***

The MFR\_TEMP\_1\_GAIN command will modify the slope of the power stage sensor to account for non-idealities in the element and errors associated with the remote sensing of the temperature in the inductor.

This command has two data bytes and is formatted in 16-bit 2's complement integer. The effective gain adjustment is  $N \cdot 2^{-14}$ . The nominal value is 1.  $N = 8192$  to  $32767$

#### ***MFR\_TEMP\_1\_OFFSET***

The MFR\_TEMP\_1\_OFFSET command will modify the offset of the power stage temperature sensor to account for non-idealities in the element and errors associated with the remote sensing of the temperature in the inductor due to location.

This command has two data bytes and is formatted in Linear\_5s\_11s format. The part starts the calibration with a  $-273.15$  so the default adjustment is zero.

#### Power Stage Temperature Limits

COMMAND NAME	CMD CODE	DESCRIPTION	TYPE	PAGED	DATA FORMAT	UNITS	NVM	DEFAULT VALUE
OT_FAULT_LIMIT	0x4F	Power stage overtemperature fault limit.	R/W Word	Y	L11	C	Y	128.0 0xF200
OT_WARN_LIMIT	0x51	Power stage overtemperature warning limit.	R/W Word	Y	L11	C	Y	125.0 0xEBE8
UT_FAULT_LIMIT	0x53	Power stage undertemperature fault limit.	R/W Word	Y	L11	C	Y	-45.0 0xE530

#### ***OT\_FAULT\_LIMIT***

The OT\_FAULT\_LIMIT command sets the value of the power stage temperature measured by the ADC, in degrees Celsius, which causes an overtemperature fault. The READ\_TEMPERATURE\_1 value will be used to determine if this limit has been exceeded.

This command has two data bytes and is formatted in Linear\_5s\_11s format.

#### ***OT\_WARN\_LIMIT***

The OT\_WARN\_LIMIT command sets the value of the power stage temperature measured by the ADC, in degrees Celsius, which causes an overtemperature warning. The READ\_TEMPERATURE\_1 value will be used to determine if this limit has been exceeded.

## PMBus COMMAND DETAILS

In response to the OT\_WARN\_LIMIT being exceeded, the device:

- Sets the TEMPERATURE bit in the STATUS\_BYTE
- Sets the Overtemperature Warning bit in the STATUS\_TEMPERATURE command, and
- Notifies the host by asserting  $\overline{\text{ALERT}}$  pin, unless masked

This command has two data bytes and is formatted in Linear\_5s\_11s format.

### UT\_FAULT\_LIMIT

The UT\_FAULT\_LIMIT command sets the value of the power stage temperature measured by the ADC, in degrees Celsius, which causes an undertemperature fault. The READ\_TEMPERATURE\_1 value will be used to determine if this limit has been exceeded.

Note: If the temp sensors are not installed, the UT\_FAULT\_LIMIT can be set to  $-275^{\circ}\text{C}$  and UT\_FAULT\_LIMIT response set to ignore to avoid  $\overline{\text{ALERT}}$  being asserted.

This command has two data bytes and is formatted in Linear\_5s\_11s format.

## TIMING

### Timing—On Sequence/Ramp

COMMAND NAME	CMD CODE	DESCRIPTION	TYPE	PAGED	DATA FORMAT	UNITS	NVM	DEFAULT VALUE
TON_DELAY	0x60	Time from RUN and/or Operation on to output rail turn-on.	R/W Word	Y	L11	ms	Y	0.0 0x8000
TON_RISE	0x61	Time from when the output starts to rise until the output voltage reaches the VOUT commanded value.	R/W Word	Y	L11	ms	Y	3.0 0xC300
TON_MAX_FAULT_LIMIT	0x62	Maximum time from the start of TON_RISE for VOUT to cross the VOUT_UV_FAULT_LIMIT.	R/W Word	Y	L11	ms	Y	5.0 0xCA80
VOUT_TRANSITION_RATE	0x27	Rate the output changes when VOUT commanded to a new value.	R/W Word	Y	L11	V/ms	Y	0.001 0x8042

### TON\_DELAY

The TON\_DELAY command sets the time, in milliseconds, from when a start condition is received until the output voltage starts to rise. Values from 0ms to 83 seconds are valid. The resulting turn-on delay will have a typical delay of 270 $\mu\text{s}$  for TON\_DELAY = 0 and an uncertainty of  $\pm 50\mu\text{s}$  for all values of TON\_DELAY.

This command has two data bytes and is formatted in Linear\_5s\_11s format.

### TON\_RISE

The TON\_RISE command sets the time, in milliseconds, from the time the output starts to rise to the time the output enters the regulation band. Values from 0 to 1.3 seconds are valid. The part will be in discontinuous mode during TON\_RISE events. If TON\_RISE is less than 0.25ms, the LTM4678 digital slope will be bypassed and the output voltage transition will only be controlled by the analog performance of the PWM switcher. The number of steps in TON\_RISE is equal to TON\_RISE (in ms)/0.1ms with an uncertainty of  $\pm 0.1\text{ms}$ .

This command has two data bytes and is formatted in Linear\_5s\_11s format.

## PMBus COMMAND DETAILS

### ***TON\_MAX\_FAULT\_LIMIT***

The TON\_MAX\_FAULT\_LIMIT command sets the value, in milliseconds, on how long the unit can attempt to power up the output without reaching the output undervoltage fault limit.

A data value of 0ms means that there is no limit and that the unit can attempt to bring up the output voltage indefinitely. The maximum limit is 83 seconds.

This command has two data bytes and is formatted in Linear\_5s\_11s format.

### ***VOUT\_TRANSITION\_RATE***

When a PMBus device receives either a VOUT\_COMMAND or OPERATION (Margin High, Margin Low) that causes the output voltage to change this command set the rate in V/ms at which the output voltage changes. The commanded rate of change does not apply when the unit is commanded on or off. The maximum allowed slope is 4V/ms.

This command has two data bytes and is formatted in Linear\_5s\_11s format.

### **Timing—Off Sequence/Ramp**

COMMAND NAME	CMD CODE	DESCRIPTION	TYPE	PAGED	DATA FORMAT	UNITS	NVM	DEFAULT VALUE
TOFF_DELAY	0x64	Time from RUN and/or Operation off to the start of TOFF_FALL ramp.	R/W Word	Y	L11	ms	Y	0.0 0x8000
TOFF_FALL	0x65	Time from when the output starts to fall until the output reaches zero volts.	R/W Word	Y	L11	ms	Y	3.0 0xC300
TOFF_MAX_WARN_LIMIT	0x66	Maximum allowed time, after TOFF_FALL completed, for the unit to decay below 12.5%.	R/W Word	Y	L11	ms	Y	0 0x8000

### ***TOFF\_DELAY***

The TOFF\_DELAY command sets the time, in milliseconds, from when a stop condition is received until the output voltage starts to fall. Values from 0 to 83 seconds are valid. The resulting turn off delay will have a typical delay of 270µs for TOFF\_DELAY = 0 and an uncertainty of ±50µs for all values of TOFF\_DELAY. TOFF\_DELAY is not applied when a fault event occurs

This command has two data bytes and is formatted in Linear\_5s\_11s format.

### ***TOFF\_FALL***

The TOFF\_FALL command sets the time, in milliseconds, from the end of the turn-off delay time until the output voltage is commanded to zero. It is the ramp time of the V<sub>OUT</sub> DAC. When the V<sub>OUT</sub> DAC is zero, the PWM output will be set to high impedance state.

The part will maintain the mode of operation programmed. For defined TOFF\_FALL times, the user should set the part to continuous conduction mode. Loading the max value indicates the part will ramp down at the slowest possible rate. The minimum supported fall time is 0.25ms. A value less than 0.25ms will result in a 0.25ms ramp. The maximum fall time is 1.3 seconds. The number of steps in TOFF\_FALL is equal to TOFF\_FALL (in ms)/0.1ms with an uncertainty of ±0.1ms.

In discontinuous conduction mode, the controller will not draw current from the load and the fall time will be set by the output capacitance and load current.

This command has two data bytes and is formatted in Linear\_5s\_11s format.

## PMBus COMMAND DETAILS

### TOFF\_MAX\_WARN\_LIMIT

The TOFF\_MAX\_WARN\_LIMIT command sets the value, in milliseconds, on how long the output voltage exceeds 12.5% of the programmed voltage before a warning is asserted. The output is considered off when the  $V_{OUT}$  voltage is less than 12.5% of the programmed VOUT\_COMMAND value. The calculation begins after TOFF\_FALL is complete.

A data value of 0ms means that there is no limit and that the output voltage exceeds 12.5% of the programmed voltage indefinitely. Other than 0, values from 120ms to 524 seconds are valid.

This command has two data bytes and is formatted in Linear\_5s\_11s format.

### Precondition for Restart

COMMAND NAME	CMD CODE	DESCRIPTION	TYPE	PAGED	DATA FORMAT	UNITS	NVM	DEFAULT VALUE
MFR_RESTART_DELAY	0xDC	Minimum time the RUN pin is held low by the LTM4678.	R/W Word	Y	L11	ms	Y	150 0xF258

### MFR\_RESTART\_DELAY

This command specifies the minimum RUN off time in milliseconds. This device will pull the RUN pin low for this length of time once a falling edge of RUN has been detected. The minimum recommended value is 136ms.

Note: The restart delay is different than the retry delay. The restart delay pulls RUN low for the specified time, after which a standard start-up sequence is initiated. The minimum restart delay should be equal to TOFF\_DELAY + TOFF\_FALL + 136ms. Valid values are from 136ms to 65.52 seconds in 16ms increments. To assure a minimum off time, set the MFR\_RESTART\_DELAY 16ms longer than the desired time. The output rail can be off longer than the MFR\_RESTART\_DELAY after the RUN pin is pulled high if the output decay bit 0 is enabled in MFR\_CHAN\_CONFIG and the output takes a long time to decay below 12.5% of the programmed value.

This command has two data bytes and is formatted in Linear\_5s\_11s format.

## FAULT RESPONSE

### Fault Responses All Faults

COMMAND NAME	CMD CODE	DESCRIPTION	TYPE	PAGED	DATA FORMAT	UNITS	NVM	DEFAULT VALUE
MFR_RETRY_DELAY	0xDB	Retry interval during FAULT retry mode.	R/W Word	Y	L11	ms	Y	250 0xF3E8

### MFR\_RETRY\_DELAY

This command sets the time in milliseconds between retries if the fault response is to retry the controller at specified intervals. This command value is used for all fault responses that require retry. The retry time starts once the fault has been detected by the offending channel. Valid values are from 120ms to 83.88 seconds in 10 $\mu$ s increments.

Note: The retry delay time is determined by the longer of the MFR\_RETRY\_DELAY command or the time required for the regulated output to decay below 12.5% of the programmed value. If the natural decay time of the output is too long, it is possible to remove the voltage requirement of the MFR\_RETRY\_DELAY command by asserting bit 0 of MFR\_CHAN\_CONFIG.

This command has two data bytes and is formatted in Linear\_5s\_11s format.

## PMBus COMMAND DETAILS

### Fault Responses Input Voltage

COMMAND NAME	CMD CODE	DESCRIPTION	TYPE	PAGED	DATA FORMAT	UNITS	NVM	DEFAULT VALUE
VIN_OV_FAULT_RESPONSE	0x56	Action to be taken by the device when an input supply overvoltage fault is detected.	R/W Byte	Y	Reg		Y	0x80

#### ***VIN\_OV\_FAULT\_RESPONSE***

The VIN\_OV\_FAULT\_RESPONSE command instructs the device on what action to take in response to an input overvoltage fault. The data byte is in the format given in Table 18.

The device also:

- Sets the NONE\_OF\_THE\_ABOVE bit in the STATUS\_BYTE
- Set the INPUT bit in the upper byte of the STATUS\_WORD
- Sets the VIN Overvoltage Fault bit in the STATUS\_INPUT command, and
- Notifies the host by asserting  $\overline{\text{ALERT}}$  pin, unless masked

This command has one data byte.

### Fault Responses Output Voltage

COMMAND NAME	CMD CODE	DESCRIPTION	TYPE	PAGED	DATA FORMAT	UNITS	NVM	DEFAULT VALUE
VOUT_OV_FAULT_RESPONSE	0x41	Action to be taken by the device when an output overvoltage fault is detected.	R/W Byte	Y	Reg		Y	0xB8
VOUT_UV_FAULT_RESPONSE	0x45	Action to be taken by the device when an output undervoltage fault is detected.	R/W Byte	Y	Reg		Y	0xB8
TON_MAX_FAULT_RESPONSE	0x63	Action to be taken by the device when a TON_MAX_FAULT event is detected.	R/W Byte	Y	Reg		Y	0xB8

#### ***VOUT\_OV\_FAULT\_RESPONSE***

The VOUT\_OV\_FAULT\_RESPONSE command instructs the device on what action to take in response to an output overvoltage fault. The data byte is in the format given in Table 14.

The device also:

- Sets the VOUT\_OV bit in the STATUS\_BYTE
- Sets the VOUT bit in the STATUS\_WORD
- Sets the VOUT Overvoltage Fault bit in the STATUS\_VOUT command
- Notifies the host by asserting  $\overline{\text{ALERT}}$  pin, unless masked

The only values recognized for this command are:

0x00—Part performs OV pull down only, or OV\_PULLDOWN.

0x80—The device shuts down (disables the output) and the unit does not attempt to retry. (PMBus, Part II, Section 10.7).

## PMBus COMMAND DETAILS

0xB8—The device shuts down (disables the output) and device attempts to retry continuously, without limitation, until it is commanded OFF (by the RUN pin or OPERATION command or both), bias power is removed, or another fault condition causes the unit to shut down.

0x4n The device shuts down and the unit does not attempt to retry. The output remains disabled until the part is commanded OFF then ON or the RUN pin is asserted low then high or RESET through the command or removal of VIN. The OV fault must remain active for a period of  $n \cdot 10\mu\text{s}$ , where  $n$  is a value from 0 to 7.

0x78+n The device shuts down and the unit attempts to retry continuously until either the fault condition is cleared or the part is commanded OFF then ON or the RUN pin is asserted low then high or RESET through the command or removal of VIN. The OV fault must remain active for a period of  $n \cdot 10\mu\text{s}$ , where  $n$  is a value from 0 to 7.

Any other value will result in a CML fault and the write will be ignored.

This command has one data byte.

**Table 14. VOUT\_OV\_FAULT\_RESPONSE Data Byte Contents**

BITS	DESCRIPTION	VALUE	MEANING
7:6	Response For all values of bits [7:6], the LTM4678: <ul style="list-style-type: none"> <li>• Sets the corresponding fault bit in the status commands and</li> <li>• Notifies the host by asserting <math>\overline{\text{ALERT}}</math> pin, unless masked.</li> </ul> The fault bit, once set, is cleared only when one or more of the following events occurs: <ul style="list-style-type: none"> <li>• The device receives a CLEAR_FAULTS command.</li> <li>• The output is commanded through the RUN pin, the OPERATION command, or the combined action of the RUN pin and OPERATION command, to turn off and then to turn back on, or</li> <li>• Bias power is removed and reapplied to the LTM4678.</li> </ul>	00	Part performs OV pull down only or OV_PULLDOWN (i.e., turns off the top MOSFET and turns on lower MOSFET while $V_{\text{OUT}}$ is $> V_{\text{OUT\_OV\_FAULT}}$ ).
		01	The PMBus device continues operation for the delay time specified by bits [2:0] and the delay time unit specified for that particular fault. If the fault condition is still present at the end of the delay time, the unit responds as programmed in the Retry Setting (bits [5:3]).
		10	The device shuts down immediately (disables the output) and responds according to the retry setting in bits [5:3].
		11	Not supported. Writing this value will generate a CML fault.
5:3	Retry Setting	000	The unit does not attempt to restart. The output remains disabled until the fault is cleared until the device is commanded OFF bias power is removed.
		111	The PMBus device attempts to restart continuously, without limitation, until it is commanded OFF (by the RUN pin or OPERATION command or both), bias power is removed, or another fault condition causes the unit to shut down without retry. Note: The retry interval is set by the MFR_RETRY_DELAY command.
2:0	Delay Time	000-111	The delay time in $10\mu\text{s}$ increments. This delay time determines how long the controller continues operating after a fault is detected. Only valid for deglitched off state.

### VOUT\_UV\_FAULT\_RESPONSE

The VOUT\_UV\_FAULT\_RESPONSE command instructs the device on what action to take in response to an output undervoltage fault. The data byte is in the format given in Table 8.

The device also:

- Sets the NONE\_OF\_THE\_ABOVE bit in the STATUS\_BYTE
- Sets the VOUT bit in the STATUS\_WORD
- Sets the VOUT undervoltage fault bit in the STATUS\_VOUT command
- Notifies the host by asserting  $\overline{\text{ALERT}}$  pin, unless masked



## PMBus COMMAND DETAILS

The UV fault and warn are masked until the following criteria are achieved:

- 1) The TON\_MAX\_FAULT\_LIMIT has been reached
- 2) The TON\_DELAY sequence has completed
- 3) The TON\_RISE sequence has completed
- 4) The VOUT\_UV\_FAULT\_LIMIT threshold has been reached
- 5) The IOUT\_OC\_FAULT\_LIMIT is not present

The UV fault and warn are masked whenever the channel is not active.

The UV fault and warn are masked during TON\_RISE and TOFF\_FALL sequencing.

This command has one data byte.

**Table 15. VOUT\_UV\_FAULT\_RESPONSE Data Byte Contents**

BITS	DESCRIPTION	VALUE	MEANING
7:6	Response For all values of bits [7:6], the LTM4678: <ul style="list-style-type: none"> <li>• Sets the corresponding fault bit in the status commands and</li> <li>• Notifies the host by asserting <math>\overline{\text{ALERT}}</math> pin, unless masked.</li> </ul> The fault bit, once set, is cleared only when one or more of the following events occurs: <ul style="list-style-type: none"> <li>• The device receives a CLEAR_FAULTS command.</li> <li>• The output is commanded through the RUN pin, the OPERATION command, or the combined action of the RUN pin and OPERATION command, to turn off and then to turn back on, or</li> <li>• The device receives a RESTORE_USER_ALL command.</li> <li>• The device receives a MFR_RESET command.</li> <li>• The device supply power is cycled.</li> </ul>	00	The PMBus device continues operation without interruption. (Ignores the fault functionally)
		01	The PMBus device continues operation for the delay time specified by bits [2:0] and the delay time unit specified for that particular fault. If the fault condition is still present at the end of the delay time, the unit responds as programmed in the Retry Setting (bits [5:3]).
		10	The device shuts down (disables the output) and responds according to the retry setting in bits [5:3].
		11	Not supported. Writing this value will generate a CML fault.
5:3	Retry Setting	000	The unit does not attempt to restart. The output remains disabled until the fault is cleared until the device is commanded OFF bias power is removed.
		111	The PMBus device attempts to restart continuously, without limitation, until it is commanded OFF (by the RUN pin or OPERATION command or both), bias power is removed, or another fault condition causes the unit to shut down without retry. Note: The retry interval is set by the MFR_RETRY_DELAY command.
2:0	Delay Time	000-111	The delay time in 10 $\mu$ s increments. This delay time determines how long the controller continues operating after a fault is detected. Only valid for deglitched off state.

## PMBus COMMAND DETAILS

### *TON\_MAX\_FAULT\_RESPONSE*

The TON\_MAX\_FAULT\_RESPONSE command instructs the device on what action to take in response to a TON\_MAX fault. The data byte is in the format given in Table 13.

The device also:

- Sets the NONE\_OF\_THE\_ABOVE bit in the STATUS\_BYTE
- Sets the VOUT bit in the STATUS\_WORD
- Sets the TON\_MAX\_FAULT bit in the STATUS\_VOUT command, and
- Notifies the host by asserting  $\overline{\text{ALERT}}$  pin, unless masked

A value of 0 disables the TON\_MAX\_FAULT\_RESPONSE. It is not recommended to use 0.

Note: The PWM channel remains in discontinues mode until the TON\_MAX\_FAULT\_LIMIT has been exceeded.

This command has one data byte.

### Fault Responses Output Current

COMMAND NAME	CMD CODE	DESCRIPTION	TYPE	PAGED	DATA FORMAT	UNITS	NVM	DEFAULT VALUE
IOUT_OC_FAULT_RESPONSE	0x47	Action to be taken by the device when an output overcurrent fault is detected.	R/W Byte	Y	Reg		Y	0x00

### *IOUT\_OC\_FAULT\_RESPONSE*

The IOUT\_OC\_FAULT\_RESPONSE command instructs the device on what action to take in response to an output overcurrent fault. The data byte is in the format given in Table 9.

The device also:

- Sets the NONE\_OF\_THE\_ABOVE bit in the STATUS\_BYTE
- Sets the IOUT\_OC bit in the STATUS\_BYTE
- Sets the IOUT bit in the STATUS\_WORD
- Sets the IOUT Overcurrent Fault bit in the STATUS\_IOUT command, and
- Notifies the host by asserting  $\overline{\text{ALERT}}$  pin, unless masked

This command has one data byte.

## PMBus COMMAND DETAILS

Table 16. OUT\_OC\_FAULT\_RESPONSE Data Byte Contents

BITS	DESCRIPTION	VALUE	MEANING
7:6	Response For all values of bits [7:6], the LTM4678: <ul style="list-style-type: none"> <li>• Sets the corresponding fault bit in the status commands and</li> <li>• Notifies the host by asserting <math>\overline{\text{ALERT}}</math> pin, unless masked.</li> </ul> The fault bit, once set, is cleared only when one or more of the following events occurs: <ul style="list-style-type: none"> <li>• The device receives a CLEAR_FAULTS command.</li> <li>• The output is commanded through the RUN pin, the OPERATION command, or the combined action of the RUN pin and OPERATION command, to turn off and then to turn back on, or</li> <li>• The device receives a RESTORE_USER_ALL command.</li> <li>• The device receives a MFR_RESET command.</li> <li>• The device supply power is cycled.</li> </ul>	00	The LTM4678 continues to operate indefinitely while maintaining the output current at the value set by IOUT_OC_FAULT_LIMIT without regard to the output voltage (known as constant-current or brick-wall limiting).
		01	Not supported.
		10	The LTM4678 continues to operate, maintaining the output current at the value set by IOUT_OC_FAULT_LIMIT without regard to the output voltage, for the delay time set by bits [2:0]. If the device is still operating in current limit at the end of the delay time, the device responds as programmed by the Retry Setting in bits [5:3].
		11	The LTM4678 shuts down immediately and responds as programmed by the Retry Setting in bits [5:3].
5:3	Retry Setting	000	The unit does not attempt to restart. The output remains disabled until the fault is cleared by cycling the RUN pin or removing bias power.
		111	The device attempts to restart continuously, without limitation, until it is commanded OFF (by the RUN pin or OPERATION command or both), bias power is removed, or another fault condition causes the unit to shut down. Note: The retry interval is set by the MFR_RETRY_DELAY command.
2:0	Delay Time	000-111	The number of delay time units in 16ms increments. This delay time is used to determine the amount of time a unit is to continue operating after a fault is detected before shutting down. Only valid for deglitched off response.

### Fault Responses IC Temperature

COMMAND NAME	CMD CODE	DESCRIPTION	TYPE	PAGED	DATA FORMAT	UNITS	NVM	DEFAULT VALUE
MFR_OT_FAULT_RESPONSE	0xD6	Action to be taken by the device when an internal overtemperature fault is detected.	R Byte	N	Reg			0xC0

### ***MFR\_OT\_FAULT\_RESPONSE***

The MFR\_OT\_FAULT\_RESPONSE command byte instructs the device on what action to take in response to an internal overtemperature fault. The data byte is in the format given in Table 12.

The LTM4678 also:

- Sets the NONE\_OF\_THE\_ABOVE bit in the STATUS\_BYTE
- Sets the MFR bit in the STATUS\_WORD, and
- Sets the Overtemperature Fault bit in the STATUS\_MFR\_SPECIFIC command
- Notifies the host by asserting  $\overline{\text{ALERT}}$  pin, unless masked

This command has one data byte.

## PMBus COMMAND DETAILS

Table 17. Data Byte Contents MFR\_OT\_FAULT\_RESPONSE

BITS	DESCRIPTION	VALUE	MEANING
7:6	Response For all values of bits [7:6], the LTM4678: <ul style="list-style-type: none"> <li>• Sets the corresponding fault bit in the status commands and</li> <li>• Notifies the host by asserting <math>\overline{\text{ALERT}}</math> pin, unless masked.</li> </ul> The fault bit, once set, is cleared only when one or more of the following events occurs: <ul style="list-style-type: none"> <li>• The device receives a CLEAR_FAULTS command.</li> <li>• The output is commanded through the RUN pin, the OPERATION command, or the combined action of the RUN pin and OPERATION command, to turn off and then to turn back on, or</li> <li>• Bias power is removed and reapplied to the LTM4678.</li> </ul>	00	Not supported. Writing this value will generate a CML fault.
		01	Not supported. Writing this value will generate a CML fault
		10	The device shuts down immediately (disables the output) and responds according to the retry setting in bits [5:3].
		11	The device's output is disabled while the fault is present. Operation resumes and the output is enabled when the fault condition no longer exists.
5:3	Retry Setting	000	The unit does not attempt to restart. The output remains disabled until the fault is cleared.
		001-111	Not supported. Writing this value will generate CML fault.
2:0	Delay Time	XXX	Not supported. Value ignored

### Fault Responses External Temperature

COMMAND NAME	CMD CODE	DESCRIPTION	TYPE	PAGED	DATA FORMAT	UNITS	NVM	DEFAULT VALUE
OT_FAULT_RESPONSE	0x50	Action to be taken by the device when an external overtemperature fault is detected,	R/W Byte	Y	Reg		Y	0xB8
UT_FAULT_RESPONSE	0x54	Action to be taken by the device when an external undertemperature fault is detected.	R/W Byte	Y	Reg		Y	0xB8

### OT\_FAULT\_RESPONSE

The OT\_FAULT\_RESPONSE command instructs the device on what action to take in response to an external overtemperature fault on the external temp sensors. The data byte is in the format given in Table 13.

The device also:

- Sets the TEMPERATURE bit in the STATUS\_BYTE
- Sets the Overtemperature Fault bit in the STATUS\_TEMPERATURE command, and
- Notifies the host by asserting  $\overline{\text{ALERT}}$  pin, unless masked

This command has one data byte.

### UT\_FAULT\_RESPONSE

The UT\_FAULT\_RESPONSE command instructs the device on what action to take in response to an external undertemperature fault on the external temp sensors. The data byte is in the format given in Table 13.

The device also:

- Sets the TEMPERATURE bit in the STATUS\_BYTE
- Sets the Undertemperature Fault bit in the STATUS\_TEMPERATURE command, and
- Notifies the host by asserting  $\overline{\text{ALERT}}$  pin, unless masked

## PMBus COMMAND DETAILS

This condition is detected by the ADC so the response time may be up to  $t_{\text{CONVERT}}$ .

This command has one data byte.

**Table 18. Data Byte Contents: TON\_MAX\_FAULT\_RESPONSE, VIN\_OV\_FAULT\_RESPONSE, OT\_FAULT\_RESPONSE, UT\_FAULT\_RESPONSE**

BITS	DESCRIPTION	VALUE	MEANING
7:6	Response For all values of bits [7:6], the LTM4678: <ul style="list-style-type: none"> <li>• Sets the corresponding fault bit in the status commands, and</li> <li>• Notifies the host by asserting <math>\overline{\text{ALERT}}</math> pin, unless masked.</li> </ul> The fault bit, once set, is cleared only when one or more of the following events occurs: <ul style="list-style-type: none"> <li>• The device receives a CLEAR_FAULTS command.</li> <li>• The output is commanded through the RUN pin, the OPERATION command, or the combined action of the RUN pin and OPERATION command, to turn off and then to turn back on, or</li> <li>• The device receives a RESTORE_USER_ALL command.</li> <li>• The device receives a MFR_RESET command.</li> <li>• The device supply power is cycled.</li> </ul>	00	The PMBus device continues operation without interruption.
		01	Not supported. Writing this value will generate a CML fault.
		10	The device shuts down immediately (disables the output) and responds according to the retry setting in bits [5:3].
		11	Not supported. Writing this value will generate a CML fault.
5:3	Retry Setting	000	The unit does not attempt to restart. The output remains disabled until the fault is cleared until the device is commanded OFF bias power is removed.
		111	The PMBus device attempts to restart continuously, without limitation, until it is commanded OFF (by the RUN pin or OPERATION command or both), bias power is removed, or another fault condition causes the unit to shut down without retry. Note: The retry interval is set by the MFR_RETRY_DELAY command.
2:0	Delay Time	XXX	Not supported. Values ignored

## FAULT SHARING

### Fault Sharing Propagation

COMMAND NAME	CMD CODE	DESCRIPTION	TYPE	PAGED	DATA FORMAT	UNITS	NVM	DEFAULT VALUE
MFR_FAULT_PROPAGATE	0xD2	Configuration that determines which faults are propagated to the FAULT pins.	R/W Word	Y	Reg		Y	0x6993

### MFR\_FAULT\_PROPAGATE

The MFR\_FAULT\_PROPAGATE command enables the faults that can cause the  $\overline{\text{FAULT}}_n$  pin to assert low. The command is formatted as shown in Table 19. Faults can only be propagated to the  $\overline{\text{FAULT}}_n$  pin if they are programmed to respond to faults.

This command has two data bytes.

## PMBus COMMAND DETAILS

**Table 19. FAULT<sub>n</sub> Propagate Fault Configuration**

The FAULT<sub>0</sub> and FAULT<sub>1</sub> pins are designed to provide electrical notification of selected events to the user. Some of these events are common to both output channels. Others are specific to an output channel. They can also be used to share faults between channels.

BIT(S)	SYMBOL	OPERATION
B[15]	VOUT disabled while not decayed.	This is used in a PolyPhase configuration when bit 0 of the MFR_CHAN_CONFIG_LTM4678 is a zero. If the channel is turned off, by toggling the RUN pin or commanding the part OFF, and then the RUN is reasserted or the part is commanded back on before the output has decayed, VOUT will not restart until the 12.5% decay is honored. The FAULT pin is asserted during this condition if bit 15 is asserted.
B[14]	Mfr_fault_propagate_short_CMD_cycle	0: No action 1: Asserts low if commanded off then on before the output has sequenced off. Re-asserts high t <sub>OFF(MIN)</sub> after sequence off.
b[13]	Mfr_fault_propagate_ton_max_fault	0: No action if a TON_MAX_FAULT fault is asserted 1: Associated output will be asserted low if a TON_MAX_FAULT fault is asserted FAULT <sub>0</sub> is associated with page 0 TON_MAX_FAULT faults FAULT <sub>1</sub> is associated with page 1 TON_MAX_FAULT faults
b[12]	Reserved	
b[11]	Mfr_fault0_propagate_int_ot, Mfr_fault1_propagate_int_ot	0: No action if the MFR_OT_FAULT_LIMIT fault is asserted 1: Associated output will be asserted low if the MFR_OT_FAULT_LIMIT fault is asserted
b[10]	Reserved	
b[9]	Reserved	
b[8]	Mfr_fault0_propagate_ut, Mfr_fault1_propagate_ut	0: No action if the UT_FAULT_LIMIT fault is asserted 1: Associated output will be asserted low if the UT_FAULT_LIMIT fault is asserted FAULT <sub>0</sub> is associated with page 0 UT faults FAULT <sub>1</sub> is associated with page 1 UT faults
b[7]	Mfr_fault0_propagate_ot, Mfr_fault1_propagate_ot	0: No action if the OT_FAULT_LIMIT fault is asserted 1: Associated output will be asserted low if the OT_FAULT_LIMIT fault is asserted FAULT <sub>0</sub> is associated with page 0 OT faults FAULT <sub>1</sub> is associated with page 1 OT faults
b[6]	Reserved	
b[5]	Reserved	
b[4]	Mfr_fault0_propagate_input_ov, Mfr_fault1_propagate_input_ov	0: No action if the VIN_OV_FAULT_LIMIT fault is asserted 1: Associated output will be asserted low if the VIN_OV_FAULT_LIMIT fault is asserted
b[3]	Reserved	
b[2]	Mfr_fault0_propagate_iout_oc, Mfr_fault1_propagate_iout_oc	0: No action if the IOUT_OC_FAULT_LIMIT fault is asserted 1: Associated output will be asserted low if the IOUT_OC_FAULT_LIMIT fault is asserted FAULT <sub>0</sub> is associated with page 0 OC faults FAULT <sub>1</sub> is associated with page 1 OC faults
b[1]	Mfr_fault0_propagate_vout_uv, Mfr_fault1_propagate_vout_uv	0: No action if the VOUT_UV_FAULT_LIMIT fault is asserted 1: Associated output will be asserted low if the VOUT_UV_FAULT_LIMIT fault is asserted FAULT <sub>0</sub> is associated with page 0 UV faults FAULT <sub>1</sub> is associated with page 1 UV faults
b[0]	Mfr_fault0_propagate_vout_ov, Mfr_fault1_propagate_vout_ov	0: No action if the VOUT_OV_FAULT_LIMIT fault is asserted 1: Associated output will be asserted low if the VOUT_OV_FAULT_LIMIT fault is asserted FAULT <sub>0</sub> is associated with page 0 OV faults FAULT <sub>1</sub> is associated with page 1 OV faults

## PMBus COMMAND DETAILS

### Fault Sharing Response

COMMAND NAME	CMD CODE	DESCRIPTION	TYPE	PAGED	DATA FORMAT	UNITS	NVM	DEFAULT VALUE
MFR_FAULT_RESPONSE	0xD5	Action to be taken by the device when the FAULT pin is asserted low.	R/W Byte	Y	Reg		Y	0xC0

### ***MFR\_FAULT\_RESPONSE***

The MFR\_FAULT\_RESPONSE command instructs the device on what action to take in response to the  $\overline{\text{FAULT}}_n$  pin being pulled low by an external source.

### Supported Values:

VALUE	MEANING
0xC0	FAULT_INHIBIT The LTM4678 will three-state the output in response to the $\overline{\text{FAULT}}$ pin pulled low.
0x00	FAULT_IGNORE The LTM4678 continues operation without interruption.

The device also:

- Sets the MFR Bit in the STATUS\_WORD.
- Sets Bit 0 in the STATUS\_MFR\_SPECIFIC Command to Indicate  $\overline{\text{FAULT}}_n$  Is Being Pulled Low
- Notifies the Host by Asserting  $\overline{\text{ALERT}}$ , Unless Masked

This command has one data byte.

### SCRATCHPAD

COMMAND NAME	CMD CODE	DESCRIPTION	TYPE	PAGED	DATA FORMAT	UNITS	NVM	DEFAULT VALUE
USER_DATA_00	0xB0	OEM reserved. Typically used for part serialization.	R/W Word	N	Reg		Y	NA
USER_DATA_01	0xB1	Manufacturer reserved for LTpowerPlay.	R/W Word	Y	Reg		Y	NA
USER_DATA_02	0xB2	OEM reserved. Typically used for part serialization.	R/W Word	N	Reg		Y	NA
USER_DATA_03	0xB3	A NVM word available for the user.	R/W Word	Y	Reg		Y	0x0000
USER_DATA_04	0xB4	A NVM word available for the user.	R/W Word	N	Reg		Y	0x0000

### ***USER\_DATA\_00 through USER\_DATA\_04***

These commands are non-volatile memory locations for customer storage. The customer has the option to write any value to the USER\_DATA\_nn at any time. However, the LTpowerPlay software and contract manufacturers use some of these commands for inventory control. Modifying the reserved USER\_DATA\_nn commands may lead to undesirable inventory control and incompatibility with these products.

These commands have 2 data bytes and are in register format.

## PMBus COMMAND DETAILS

### IDENTIFICATION

COMMAND NAME	CMD CODE	DESCRIPTION	TYPE	PAGED	DATA FORMAT	UNITS	NVM	DEFAULT VALUE
PMBus_REVISION	0x98	PMBus revision supported by this device. Current revision is 1.2.	R Byte	N	Reg		FS	0x22
CAPABILITY	0x19	Summary of PMBus optional communication protocols supported by this device.	R Byte	N	Reg			0xB0
MFR_ID	0x99	The manufacturer ID of the LTM4678 in ASCII.	R String	N	ASC			LTC
MFR_MODEL	0x9A	Manufacturer part number in ASCII.	R String	N	ASC			LTM4678
MFR_SPECIAL_ID	0xE7	Manufacturer code representing the LTM4678.	R Word	N	Reg			0x410x

### ***PMBus\_REVISION***

The PMBUS\_REVISION command indicates the revision of the PMBus to which the device is compliant. The LTM4678 is PMBus Version 1.2 compliant in both Part I and Part II.

This read-only command has one data byte.

### ***CAPABILITY***

This command provides a way for a host system to determine some key capabilities of a PMBus device.

The LTM4678 supports packet error checking, 400kHz bus speeds, and  $\overline{\text{ALERT}}$  pin.

This read-only command has one data byte.

### ***MFR\_ID***

The MFR\_ID command indicates the manufacturer ID of the LTM4678 using ASCII characters.

This read-only command is in block format.

### ***MFR\_MODEL***

The MFR\_MODEL command indicates the manufacturer's part number of the LTM4678 using ASCII characters.

This read-only command is in block format.

### ***MFR\_SPECIAL\_ID***

The 16-bit word representing the part name and revision. 0x41 denotes the part is an LTM4678, XX is adjustable by the manufacturer.

This read-only command has two data bytes.



## PMBus COMMAND DETAILS

### FAULT WARNING AND STATUS

COMMAND NAME	CMD CODE	DESCRIPTION	TYPE	PAGED	FORMAT	UNITS	NVM	DEFAULT VALUE
CLEAR_FAULTS	0x03	Clear any fault bits that have been set.	Send Byte	N				NA
SMBALERT_MASK	0x1B	Mask activity.	Block R/W	Y	Reg		Y	See CMD Details
MFR_CLEAR_PEAKE	0xE3	Clears all peak values.	Send Byte	Y				NA
STATUS_BYTE	0x78	One byte summary of the unit's fault condition.	R/W Byte	Y	Reg			NA
STATUS_WORD	0x79	Two byte summary of the unit's fault condition.	R/W Word	Y	Reg			NA
STATUS_VOUT	0x7A	Output voltage fault and warning status.	R/W Byte	Y	Reg			NA
STATUS_IOUT	0x7B	Output current fault and warning status.	R/W Byte	Y	Reg			NA
STATUS_INPUT	0x7C	Input supply fault and warning status.	R/W Byte	N	Reg			NA
STATUS_TEMPERATURE	0x7D	External temperature fault and warning status for READ_TEMPERATURE_1.	R/W Byte	Y	Reg			NA
STATUS_CML	0x7E	Communication and memory fault and warning status.	R/W Byte	N	Reg			NA
STATUS_MFR_SPECIFIC	0x80	Manufacturer specific fault and state information.	R/W Byte	Y	Reg			NA
MFR_PADS	0xE5	Digital status of the I/O pads.	R Word	N	Reg			NA
MFR_COMMON	0xEF	Manufacturer status bits that are common across multiple ADI chips.	R Byte	N	Reg			NA

#### **CLEAR\_FAULTS**

The CLEAR\_FAULTS command is used to clear any fault bits that have been set. This command clears all bits in all status commands simultaneously. At the same time, the device negates (clears, releases) its  $\overline{\text{ALERT}}$  pin signal output if the device is asserting the  $\overline{\text{ALERT}}$  pin signal. If the fault is still present when the bit is cleared, the fault bit will remain set and the host notified by asserting the  $\overline{\text{ALERT}}$  pin low. CLEAR\_FAULTS can take up to 10 $\mu$ s to process. If a fault occurs within that time frame it may be cleared before the status register is set.

This write-only command has no data bytes.

The CLEAR\_FAULTS does not cause a unit that has latched off for a fault condition to restart. Units that have shut down for a fault condition are restarted when:

- The output is commanded through the RUN pin, the OPERATION command, or the combined action of the RUN pin and OPERATION command, to turn off and then to turn back on, or
- MFR\_RESET command is issued.
- Bias power is removed and reapplied to the integrated circuit

#### **SMBALERT\_MASK**

The SMBALERT\_MASK command can be used to prevent a particular status bit or bits from asserting  $\overline{\text{ALERT}}$  as they are asserted.

Figure 33 shows an example of the Write Word format used to set an  $\overline{\text{ALERT}}$  mask, in this case without PEC. The bits in the mask byte align with bits in the specified status register. For example, if the STATUS\_TEMPERATURE command code is sent in the first data byte, and the mask byte contains 0x40, then a subsequent External Overtemperature Warning

## PMBus COMMAND DETAILS

would still set bit 6 of STATUS\_TEMPERATURE but not assert  $\overline{\text{ALERT}}$ . All other supported STATUS\_TEMPERATURE bits would continue to assert  $\overline{\text{ALERT}}$  if set.

Figure 50 shows an example of the Block Write – Block Read Process Call protocol used to read back the present state of any supported status register, again without PEC.

SMBALERT\_MASK cannot be applied to STATUS\_BYTE, STATUS\_WORD, MFR\_COMMON or MFR\_PADS\_LTM4678. Factory default masking for applicable status registers is shown below. Providing an unsupported command code to SMBALERT\_MASK will generate a CML for Invalid/Unsupported Data.

### SMBALERT\_MASK Default Setting: (Refer Also to Figure 2)

STATUS RESISTER	ALERT Mask Value	MASKED BITS
STATUS_VOUT	0x00	None
STATUS_IOUT	0x00	None
STATUS_TEMPERATURE	0x00	None
STATUS_CML	0x00	None
STATUS_INPUT	0x00	None
STATUS_MFR_SPECIFIC	0x11	Bit 4 (internal PLL unlocked), bit 0 ( $\overline{\text{FAULT}}$ pulled low by external device)

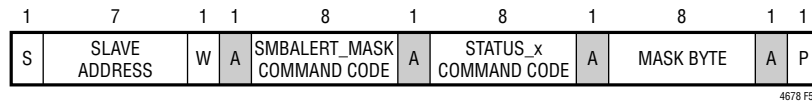


Figure 52. Example of Writing SMBALERT\_MASK

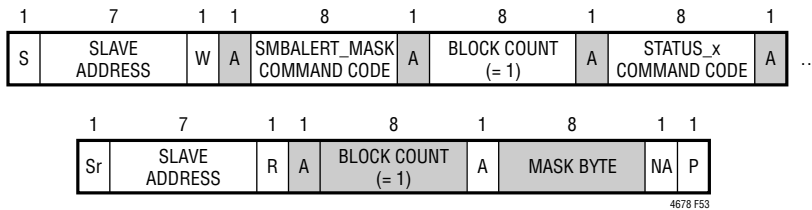


Figure 53. Example of Reading SMBALERT\_MASK

### MFR\_CLEAR\_PEAKE

The MFR\_CLEAR\_PEAKE command clears the MFR\*\_PEAK data values. A MFR\_RESET command will also clear the MFR\*\_PEAK data values.

This write-only command has no data bytes.

### STATUS\_BYTE

The STATUS\_BYTE command returns one byte of information with a summary of the most critical faults. This is the lower byte of the status word.

## PMBus COMMAND DETAILS

### STATUS\_BYTE Message Contents:

BIT	STATUS BIT NAME	MEANING
7*	BUSY	A fault was declared because the LTM4678 was unable to respond.
6	OFF	This bit is set if the channel is not providing power to its output, regardless of the reason, including simply not being enabled.
5	VOUT_OV	An output overvoltage fault has occurred.
4	IOUT_OC	An output overcurrent fault has occurred.
3	VIN_UV	Not supported (LTM4678 returns 0).
2	TEMPERATURE	A temperature fault or warning has occurred.
1	CML	A communications, memory or logic fault has occurred.
0*	NONE OF THE ABOVE	A fault Not listed in bits[7:1] has occurred.

\*ALERT can be asserted if either of these bits is set. They may be cleared by writing a 1 to their bit position in the STATUS\_BYTE, in lieu of a CLEAR\_FAULTS command.

This command has one data byte.

### STATUS\_WORD

The STATUS\_WORD command returns a two-byte summary of the channel's fault condition. The low byte of the STATUS\_WORD is the same as the STATUS\_BYTE command.

### STATUS\_WORD High Byte Message Contents:

BIT	STATUS BIT NAME	MEANING
15	V <sub>OUT</sub>	An output voltage fault or warning has occurred.
14	I <sub>OUT</sub>	An output current fault or warning has occurred.
13	INPUT	An input voltage fault or warning has occurred.
12	MFR_SPECIFIC	A fault or warning specific to the LTM4678 has occurred.
11	POWER_GOOD#	The POWER_GOOD state is false if this bit is set.
10	FANS	Not supported (LTM4678 returns 0).
9	OTHER	Not supported (LTM4678 returns 0).
8	UNKNOWN	Not supported (LTM4678 returns 0).

If any of the bits in the upper byte are set, NONE\_OF\_THE\_ABOVE is asserted.

This command has two data bytes.

### STATUS\_VOUT

The STATUS\_VOUT command returns one byte of V<sub>OUT</sub> status information.

### STATUS\_VOUT Message Contents:

BIT	MEANING
7	V <sub>OUT</sub> overvoltage fault.
6	V <sub>OUT</sub> overvoltage warning.
5	V <sub>OUT</sub> undervoltage warning.
4	V <sub>OUT</sub> undervoltage fault.
3	V <sub>OUT</sub> max warning.
2	TON max fault.
1	TOFF max fault.
0	Not supported (LTM4678 returns 0).

## PMBus COMMAND DETAILS

The user is permitted to write a 1 to any bit in this command to clear a specific fault. This permits the user to clear status by means other than using the CLEAR\_FAULTS command.

Any supported fault bit in this command will initiate an  $\overline{\text{ALERT}}$  event.

This command has one data byte.

### STATUS\_IOUT

The STATUS\_IOUT command returns one byte of I<sub>OUT</sub> status information.

#### STATUS\_IOUT Message Contents:

BIT	MEANING
7	I <sub>OUT</sub> overcurrent fault.
6	Not supported (LTM4678 returns 0).
5	I <sub>OUT</sub> overcurrent warning.
4:0	Not supported (LTM4678 returns 0).

The user is permitted to write a 1 to any bit in this command to clear a specific fault. This permits the user to clear status by means other than using the CLEAR\_FAULTS command.

Any supported fault bit in this command will initiate an  $\overline{\text{ALERT}}$  event. This command has one data byte.

### STATUS\_INPUT

The STATUS\_INPUT command returns one byte of V<sub>IN</sub> (VINSNS) status information.

#### STATUS\_INPUT Message Contents:

BIT	MEANING
7	V <sub>IN</sub> overvoltage fault.
6	Not supported (LTM4678 returns 0).
5	V <sub>IN</sub> undervoltage warning.
4	Not supported (LTM4678 returns 0).
3	Unit off for insufficient V <sub>IN</sub> .
2	Not supported (LTM4678 returns 0).
1	I <sub>IN</sub> overcurrent warning.
0	Not supported (LTM4678 returns 0).

The user is permitted to write a 1 to any bit in this command to clear a specific fault. This permits the user to clear status by means other than using the CLEAR\_FAULTS command.

Any supported fault bit in this command will initiate an  $\overline{\text{ALERT}}$  event. Bit 3 of this command is not latched and will not generate an  $\overline{\text{ALERT}}$  even if it is set. This command has one data byte.

## PMBus COMMAND DETAILS

### STATUS\_TEMPERATURE

The STATUS\_TEMPERATURE commands returns one byte with status information on temperature. This is a paged command and is related to the respective READ\_TEMPERATURE\_1 value.

#### STATUS\_TEMPERATURE Message Contents:

BIT	MEANING
7	External overtemperature fault.
6	External overtemperature warning.
5	Not supported (LTM4678 returns 0).
4	External undertemperature fault.
3:0	Not supported (LTM4678 returns 0).

The user is permitted to write a 1 to any bit in this command to clear a specific fault. This permits the user to clear status by means other than using the CLEAR\_FAULTS command.

This command has one data byte.

### STATUS\_CML

The STATUS\_CML command returns one byte of status information on received commands, internal memory and logic.

#### STATUS\_CML Message Contents:

BIT	MEANING
7	Invalid or unsupported command received.
6	Invalid or unsupported data received.
5	Packet error check failed.
4	Memory fault detected.
3	Processor fault detected.
2	Reserved (LTM4678 returns 0).
1	Other communication fault.
0	Other memory or logic fault.

If either bit 3 or bit 4 of this command is set, a serious and significant internal error has been detected. Continued operation of the part is not recommended if these bits are continuously set.

The user is permitted to write a 1 to any bit in this command to clear a specific fault. This permits the user to clear status by means other than using the CLEAR\_FAULTS command.

Any supported fault bit in this command will initiate an  $\overline{\text{ALERT}}$  event.

This command has one data byte.

## PMBus COMMAND DETAILS

### STATUS\_MFR\_SPECIFIC

The STATUS\_MFR\_SPECIFIC commands returns one byte with the manufacturer specific status information.

The format for this byte is:

BIT	MEANING
7	Internal Temperature Fault Limit Exceeded.
6	Internal Temperature Warn Limit Exceeded.
5	Factory Trim Area NVM CRC Fault.
4	PLL is Unlocked
3	Fault Log Present
2	V <sub>DD33</sub> UV or OV Fault
1	ShortCycle Event Detected
0	FAULT Pin Asserted Low by External Device

If any of these bits are set, the MFR bit in the STATUS\_WORD will be set, and  $\overline{\text{ALERT}}$  may be asserted.

The user is permitted to write a 1 to any bit in this command to clear a specific fault. This permits the user to clear status by means other than using the CLEAR\_FAULTS command. However, the fault log present bit can only be cleared by issuing the MFR\_FAULT\_LOG\_CLEAR command.

Any supported fault bit in this command will initiate an  $\overline{\text{ALERT}}$  event.

This command has one data byte.

### MFR\_PADS

This command provides the user a means of directly reading the digital status of the I/O pins of the device. The bit assignments of this command are as follows:

BIT	ASSIGNED DIGITAL PIN
15	V <sub>DD33</sub> OV Fault
14	V <sub>DD33</sub> UV Fault
13	Reserved
12	Reserved
11	ADC Values Invalid, Occurs During Start-Up. May Occur Briefly on Current Measurement Channels During Normal Operation
10	SYNC clocked by external device (when LTM4678 configured to drive SYNC pin)
9	Channel 1 Power Good
8	Channel 0 Power Good
7	LTM4678 Driving RUN1 Low
6	LTM4678 Driving RUN0 Low
5	RUN1 Pin State
4	RUN0 Pin State
3	LTM4678 Driving $\overline{\text{FAULT1}}$ Low
2	LTM4678 Driving $\overline{\text{FAULT0}}$ Low
1	$\overline{\text{FAULT1}}$ Pin State
0	$\overline{\text{FAULT0}}$ Pin State

A 1 indicates the condition is true.

This read-only command has two data bytes.

## PMBus COMMAND DETAILS

### MFR\_COMMON

The MFR\_COMMON command contains bits that are common to all ADI digital power and telemetry products.

BIT	MEANING
7	Module Not Driving ALERT Low
6	LTM4678 Not Busy
5	Calculations Not Pending
4	LTM4678 Outputs Not in Transition
3	NVM Initialized
2	Reserved
1	SHARE_CLK Timeout
0	WP Pin Status

This read-only command has one data byte.

### MFR\_INFO

The MFR\_INFO command contains additional status bits that are LTC3884-specific and may be common to multiple ADI PSM products.

#### MFR\_INFO Data Contents:

BIT	MEANING
15:5	Reserved.
4	EEPROM ECC status. 0: Corrections made in the EEPROM user space. 1: No corrections made in the EEPROM user space.
3:0	Reserved

EEPROM ECC status is updated after each RESTORE\_USER\_ALL or RESET command, a power-on reset or an EEPROM bulk read operation. This read-only command has two data bytes.

## TELEMETRY

COMMAND NAME	CMD CODE	DESCRIPTION	TYPE	PAGED	FORMAT	UNITS	NVM	DEFAULT VALUE
READ_VIN	0x88	Measured input supply voltage.	R Word	N	L11	V		NA
READ_IIN	0x89	Measured input supply current.	R Word	N	L11	A		NA
READ_VOUT	0x8B	Measured output voltage.	R Word	Y	L16	V		NA
READ_IOUT	0x8C	Measured output current.	R Word	Y	L11	A		NA
READ_TEMPERATURE_1	0x8D	Power stage temperature sensor. This is the value used for all temperature related processing, including MFR_IOUT_CAL_GAIN.	R Word	Y	L11	C		NA
READ_TEMPERATURE_2	0x8E	Internal junction temperature. Does not affect any other controller commands.	R Word	N	L11	C		NA
READ_FREQUENCY	0x95	Measured PWM switching frequency.	R Word	Y	L11	Hz		NA
READ_POUT	0x96	Calculated output power.	R Word	Y	L11	W		NA
READ_PIN	0x97	Calculated input power.	R Word	N	L11	W		NA
MFR_PIN_ACCURACY	0xAC	Returns the accuracy of the READ_PIN command	R Byte	N		%		5.0%

## PMBus COMMAND DETAILS

MFR_IOUT_PEAK	0xD7	Report the maximum measured value of READ_IOUT since last MFR_CLEAR_PEAKS.	R Word	Y	L11	A		NA
MFR_VOUT_PEAK	0xDD	Maximum measured value of READ_VOUT since last MFR_CLEAR_PEAKS.	R Word	Y	L16	V		NA
MFR_VIN_PEAK	0xDE	Maximum measured value of READ_VIN since last MFR_CLEAR_PEAKS.	R Word	N	L11	V		NA
MFR_TEMPERATURE_1_PEAK	0xDF	Maximum measured value of external Temperature (READ_TEMPERATURE_1) since last MFR_CLEAR_PEAKS.	R Word	Y	L11	C		NA
MFR_READ_IIN_PEAK	0xE1	Maximum measured value of READ_IIN command since last MFR_CLEAR_PEAKS.	R Word	N	L11	A		NA
MFR_READ_ICHIP	0xE4	Measured current used by the LTM4678.	R Word	N	L11	A		NA
MFR_TEMPERATURE_2_PEAK	0xF4	Peak internal die temperature since last MFR_CLEAR_PEAKS.	R Word	N	L11	C		NA
MFR_ADC_CONTROL	0xD8	ADC telemetry parameter selected for repeated fast ADC read back.	R/W Byte	N	N	Reg		NA

### **READ\_VIN**

The READ\_VIN command returns the measured  $V_{IN}$  pin voltage, in volts added to READ\_ICHIP • MFR\_RVIN. This compensates for the IR voltage drop across the  $V_{IN}$  filter element due to the supply current of the LTM4678.

This read-only command has two data bytes and is formatted in Linear\_5s\_11s format.

### **READ\_VOUT**

The READ\_VOUT command returns the measured output voltage by the VOUT\_MODE command.

This read-only command has two data bytes and is formatted in Linear\_16u format.

### **READ\_IIN**

The READ\_IIN command returns the input current, in Amperes, as measured across the input current sense resistor (see also MFR\_IIN\_CAL\_GAIN).

This read-only command has two data bytes and is formatted in Linear\_5s\_11s format.

### **READ\_IOUT**

The READ\_IOUT command returns the average output current in amperes. The IOUT value is a function of:

- the differential voltage measured across the  $I_{SENSE}$  pins
- the IOUT\_CAL\_GAIN value
- the MFR\_IOUT\_CAL\_GAIN\_TC value, and
- READ\_TEMPERATURE\_1 value
- The MFR\_TEMP\_1\_GAIN and the MFR\_TEMP\_1\_OFFSET

This read-only command has two data bytes and is formatted in Linear\_5s\_11s format.

### **READ\_TEMPERATURE\_1**

The READ\_TEMPERATURE\_1 command returns the temperature, in degrees Celsius, of the power stage sense element.

This read-only command has two data bytes and is formatted in Linear\_5s\_11s format.



---

## **PMBus COMMAND DETAILS**

### ***READ\_TEMPERATURE\_2***

The READ\_TEMPERATURE\_2 command returns the LTM4678's die temperature, in degrees Celsius, of the internal sense element.

This read-only command has two data bytes and is formatted in Linear\_5s\_11s format.

### ***READ\_FREQUENCY***

The READ\_FREQUENCY command is a reading of the PWM switching frequency in kHz.

This read-only command has 2 data bytes and is formatted in Linear\_5s\_11s format.

### ***READ\_POUT***

The READ\_POUT command is a reading of the DC/DC converter output power in Watts. POUT is calculated based on the most recent correlated output voltage and current reading.

This read-only command has 2 data bytes and is formatted in Linear\_5s\_11s format.

### ***READ\_PIN***

The READ\_PIN command is a reading of the DC/DC converter input power in Watts. PIN is calculated based on the most recent input voltage and current reading.

This read-only command has 2 data bytes and is formatted in Linear\_5s\_11s format.

### ***MFR\_PIN\_ACCURACY***

The MFR\_PIN\_ACCURACY command returns the accuracy, in percent, of the value returned by the READ\_PIN command. There is one data byte. The value is 0.1% per bit which gives a range of  $\pm 0.0\%$  to  $\pm 25.5\%$ .

This read-only command has one data byte and is formatted as an unsigned integer.

### ***MFR\_IOUT\_PEAK***

The MFR\_IOUT\_PEAK command reports the highest current, in amperes, reported by the READ\_IOUT measurement.

This command is cleared using the MFR\_CLEAR\_PEAKE command.

This read-only command has two data bytes and is formatted in Linear\_5s\_11s format.

### ***MFR\_VOUT\_PEAK***

The MFR\_VOUT\_PEAK command reports the highest voltage, in volts, reported by the READ\_VOUT measurement.

This command is cleared using the MFR\_CLEAR\_PEAKE command.

This read-only command has two data bytes and is formatted in Linear\_16u format.

### ***MFR\_VIN\_PEAK***

The MFR\_VIN\_PEAK command reports the highest voltage, in volts, reported by the READ\_VIN measurement.

## **PMBus COMMAND DETAILS**

This command is cleared using the MFR\_CLEAR\_PEAKE command.

This read-only command has two data bytes and is formatted in Linear\_5s\_11s format.

### ***MFR\_TEMPERATURE\_1\_PEAK***

The MFR\_TEMPERATURE\_1\_PEAK command reports the highest temperature, in degrees Celsius, reported by the READ\_TEMPERATURE\_1 measurement.

This command is cleared using the MFR\_CLEAR\_PEAKE command.

This read-only command has two data bytes and is formatted in Linear\_5s\_11s format.

### ***MFR\_READ\_IIN\_PEAK***

The MFR\_READ\_IIN\_PEAK command reports the highest current, in Amperes, reported by the READ\_IIN measurement.

This command is cleared using the MFR\_CLEAR\_PEAKE command.

This command has two data bytes and is formatted in Linear\_5s\_11s format.

### ***MFR\_READ\_ICHIP***

The MFR\_READ\_ICHIP command returns the measured input current, in Amperes, used by the LTM4678.

This command has two data bytes and is formatted in Linear\_5s\_11s format.

### ***MFR\_TEMPERATURE\_2\_PEAK***

The MFR\_TEMPERATURE\_2\_PEAK command reports the highest temperature, in degrees Celsius, reported by the READ\_TEMPERATURE\_2 measurement.

This command is cleared using the MFR\_CLEAR\_PEAKE command.

This read-only command has two data bytes and is formatted in Linear\_5s\_11s format.

### ***MFR\_ADC\_CONTROL***

The MFR\_ADC\_CONTROL command determines the ADC read back selection. A default value of 0 in the command runs the standard telemetry loop with all parameters updated in a round robin fashion with a typical latency of  $t_{\text{CONVERT}}$ . The user can command a non-zero value to monitor a single parameter with an approximate update rate of 8ms. This command has a latency of up to 2 ADC conversions or approximately 16ms (external temperature conversions may have a latency of up to 3 ADC conversion or approximately 24ms). It is recommended the part remain in standard telemetry mode except for special cases where fast ADC updates of a single parameter is required. The part should be commanded to monitor the desired parameter for a limited period of time (less than 1 second) then set the command back to standard round robin mode. If this command is set to any value except standard round robin telemetry (0) all warnings and faults associated with telemetry other than the selected parameter are effectively disabled and voltage servoing is disabled. When round robin is reasserted, all warnings and faults and servo mode are re-enabled.

## PMBus COMMAND DETAILS

COMMANDED VALUE	TELEMETRY COMMAND NAME	DESCRIPTION
0x0F		Reserved
0x0E		Reserved
0x0D		Reserved
0x0C	READ_TEMPERATURE_1	Channel 1 external temperature
0x0B		Reserved
0x0A	READ_IOUT	Channel 1 measured output current
0x09	READ_VOUT	Channel 1 measured output voltage
0x08	READ_TEMPERATURE_1	Channel 0 external temperature
0x07		Reserved
0x06	READ_IOUT	Channel 0 measured output current
0x05	READ_VOUT	Channel 0 measured output voltage
0x04	READ_TEMPERATURE_2	Internal junction temperature
0x03	READ_IIN	Measured input supply current
0x02	MFR_READ_ICHIP	Measured supply current of the LTM4678
0x01	READ_VIN	Measured input supply voltage
0x00		Standard ADC Round Robin Telemetry

If a reserved command value is entered, the telemetry will default to Internal IC Temperature and issue a CML fault. CML faults will continue to be issued by the LTM4678 until a valid command value is entered. The accuracy of the measured input supply voltage is only guaranteed if the MFR\_ADC\_CONTROL command is set to standard round robin telemetry. This write-only command has 1 data byte and is formatted in register format.

## NVM MEMORY COMMANDS

### Store/Restore

COMMAND NAME	CMD CODE	DESCRIPTION	TYPE	PAGED	FORMAT	UNITS	NVM	DEFAULT VALUE
STORE_USER_ALL	0x15	Store user operating memory to EEPROM.	Send Byte	N				NA
RESTORE_USER_ALL	0x16	Restore user operating memory from EEPROM.	Send Byte	N				NA
MFR_COMPARE_USER_ALL	0xF0	Compares current command contents with NVM.	Send Byte	N				NA

### STORE\_USER\_ALL

The STORE\_USER\_ALL command instructs the PMBus device to copy the non-volatile user contents of the Operating Memory to the matching locations in the non-volatile User NVM memory.

Executing this command if the die temperature exceeds 85°C or is below 0°C is not recommended and the data retention of 10 years cannot be guaranteed. If the die temperature exceeds 130°C, the STORE\_USER\_ALL command is disabled. The command is re-enabled when the IC temperature drops below 125°C.

Communication with the LTM4678 and programming of the NVM can be initiated when EXT<sub>V</sub>CC or VDD33 is available and VIN is not applied. To enable the part in this state, using global address 0x5B write MFR\_EE\_UNLOCK to 0x2B followed by 0xC4. The LTM4678 will now communicate normally, and the project file can be updated. To write the

## PMBus COMMAND DETAILS

updated project file to the NVM issue a STORE\_USER\_ALL command. When VIN is applied, a MFR\_RESET must be issued to allow the PWM to be enabled and valid ADCs to be read.

This write-only command has no data bytes.

### RESTORE\_USER\_ALL

The RESTORE\_USER\_ALL command instructs the LTM4678 to copy the contents of the non-volatile User memory to the matching locations in the Operating Memory. The values in the Operating Memory are overwritten by the value retrieved from the User commands. The LTM4678 ensures both channels are off, loads the operating memory from the internal EEPROM, clears all faults, reads the resistor configuration pins, and then performs a soft-start of both PWM channels if applicable.

STORE\_USER\_ALL, MFR\_COMPARE\_USER\_ALL and RESTORE\_USER\_ALL commands are disabled if the die exceeds 130°C and are not re-enabled until the die temperature drops below 125°C.

This write-only command has no data bytes.

### MFR\_COMPARE\_USER\_ALL

The MFR\_COMPARE\_USER\_ALL command instructs the PMBus device to compare current command contents with what is stored in non-volatile memory. If the compare operation detects differences, a CML bit 0 fault will be generated.

This write-only command has no data bytes.

## Fault Logging

COMMAND NAME	CMD CODE	DESCRIPTION	TYPE	PAGED	DATA FORMAT	UNITS	NVM	DEFAULT VALUE
MFR_FAULT_LOG	0xEE	Fault log data bytes.	R Block	N	CF		Y	NA
MFR_FAULT_LOG_STORE	0xEA	Command a transfer of the fault log from RAM to EEPROM.	Send Byte	N				NA
MFR_FAULT_LOG_CLEAR	0xEC	Initialize the EEPROM block reserved for fault logging.	Send Byte	N				NA

### MFR\_FAULT\_LOG

The MFR\_FAULT\_LOG command allows the user to read the contents of the FAULT\_LOG after the first fault occurrence since the last MFR\_FAULT\_LOG\_CLEAR command was written. The contents of this command are stored in non-volatile memory, and are cleared by the MFR\_FAULT\_LOG\_CLEAR command. The length and content of this command are listed in Table 15. If the user accesses the MFR\_FAULT\_LOG command and no fault log is present, the command will return a data length of 0. If a fault log is present, the MFR\_FAULT\_LOG will return a block of data 147 bytes long. If a fault occurs within the first second of applying power, some of the earlier pages in the fault log may not contain valid data.

NOTE: The approximate transfer time for this command is 3.4ms using a 400kHz clock.

This read-only command is in block format.

## PMBus COMMAND DETAILS

### MFR\_FAULT\_LOG\_STORE

The MFR\_FAULT\_LOG\_STORE command forces the fault log operation to be written to NVM just as if a fault event occurred. This command will set bit 3 of the STATUS\_MFR\_SPECIFIC fault if bit 7 “Enable Fault Logging” is set in the MFR\_CONFIG\_ALL command.

If the die temperature exceeds 130°C, the MFR\_FAULT\_LOG\_STORE command is disabled until the IC temperature drops below 125°C.

This write-only command has no data bytes.

**Table 20. Fault Logging**

This table outlines the format of the block data from a read block data of the MFR\_FAULT\_LOG command.

Data Format Definitions				LIN 11 = PMBus = Rev 1.2, Part 2, section 7.1
				LIN 16 = PMBus Rev 1.2, Part 2, section 8. Mantissa portion only
				BYTE = 8 bits interpreted per definition of this command
DATA	BITS	DATA FORMAT	BYTE NUM	BLOCK READ COMMAND
Block Length		BYTE	147	The MFR_FAULT_LOG command is a fixed length of 147 bytes The block length will be zero if a data log event has not been captured
HEADER INFORMATION				
Fault Log Preface	[7:0]	ASC	0	Returns LTx beginning at byte 0 if a partial or complete fault log exists. Word xx is a factory identifier that may vary part to part.
	[7:0]		1	
	[15:8]	Reg	2	
	[7:0]		3	
Fault Source	[7:0]	Reg	4	Refer to Table 16.
MFR_REAL_TIME	[7:0]	Reg	5	48 bit share-clock counter value when fault occurred (200µs resolution).
	[15:8]		6	
	[23:16]		7	
	[31:24]		8	
	[39:32]		9	
	[47:40]		10	
MFR_VOUT_PEAK (PAGE 0)	[15:8]	L16	11	Peak READ_VOUT on Channel 0 since last power-on or CLEAR_PEAKS command.
	[7:0]		12	
MFR_VOUT_PEAK (PAGE 1)	[15:8]	L16	13	Peak READ_VOUT on Channel 1 since last power-on or CLEAR_PEAKS command.
	[7:0]		14	
MFR_IOUT_PEAK (PAGE 0)	[15:8]	L11	15	Peak READ_IOUT on Channel 0 since last power-on or CLEAR_PEAKS command.
	[7:0]		16	
MFR_IOUT_PEAK (PAGE 1)	[15:8]	L11	17	Peak READ_IOUT on Channel 1 since last power-on or CLEAR_PEAKS command.
	[7:0]		18	
MFR_VIN_PEAK	[15:8]	L11	19	Peak READ_VIN since last power-on or CLEAR_PEAKS command.
	[7:0]		20	
READ_TEMPERATURE1 (PAGE 0)	[15:8]	L11	21	Power stage temperature sensor 0 during last event.
	[7:0]		22	
READ_TEMPERATURE1 (PAGE 1)	[15:8]	L11	23	Power stage temperature sensor 1 during last event.
	[7:0]		24	
READ_TEMPERATURE2	[15:8]	L11	25	LTM4678 die temperature sensor during last event.
	[7:0]		26	

## PMBus COMMAND DETAILS

### CYCLICAL DATA

<b>EVENT n</b> (Data at Which Fault Occurred; Most Recent Data)				Event “n” represents one complete cycle of ADC reads through the MUX at time of fault. Example: If the fault occurs when the ADC is processing step 15, it will continue to take readings through step 25 and then store the header and all 6 event pages to EEPROM
READ_VOUT (PAGE 0)	[15:8]	LIN 16	27	
	[7:0]	LIN 16	28	
READ_VOUT (PAGE 1)	[15:8]	LIN 16	29	
	[7:0]	LIN 16	30	
READ_IOUT (PAGE 0)	[15:8]	LIN 11	31	
	[7:0]	LIN 11	32	
READ_IOUT (PAGE 1)	[15:8]	LIN 11	33	
	[7:0]	LIN 11	34	
READ_VIN	[15:8]	LIN 11	35	
	[7:0]	LIN 11	36	
READ_IIN	[15:8]	LIN 11	37	
	[7:0]	LIN 11	38	
STATUS_VOUT (PAGE 0)		BYTE	39	
STATUS_VOUT (PAGE 1)		BYTE	40	
STATUS_WORD (PAGE 0)	[15:8]	WORD	41	
	[7:0]	WORD	42	
STATUS_WORD (PAGE 1)	[15:8]	WORD	43	
	[7:0]	WORD	44	
STATUS_MFR_SPECIFIC (PAGE 0)		BYTE	45	
STATUS_MFR_SPECIFIC (PAGE 1)		BYTE	46	
<b>EVENT n-1</b> (data measured before fault was detected)				
READ_VOUT (PAGE 0)	[15:8]	LIN 16	47	
	[7:0]	LIN 16	48	
READ_VOUT (PAGE 1)	[15:8]	LIN 16	49	
	[7:0]	LIN 16	50	
READ_IOUT (PAGE 0)	[15:8]	LIN 11	51	
	[7:0]	LIN 11	52	
READ_IOUT (PAGE 1)	[15:8]	LIN 11	53	
	[7:0]	LIN 11	54	
READ_VIN	[15:8]	LIN 11	55	
	[7:0]	LIN 11	56	
READ_IIN	[15:8]	LIN 11	57	
	[7:0]	LIN 11	58	
STATUS_VOUT (PAGE 0)		BYTE	59	
STATUS_VOUT (PAGE 1)		BYTE	60	
STATUS_WORD (PAGE 0)	[15:8]	WORD	61	
	[7:0]	WORD	62	
STATUS_WORD (PAGE 1)	[15:8]	WORD	63	
	[7:0]	WORD	64	
STATUS_MFR_SPECIFIC (PAGE 0)		BYTE	65	
STATUS_MFR_SPECIFIC (PAGE 1)		BYTE	66	

## PMBus COMMAND DETAILS

EVENT n-5				
(Oldest Recorded Data)				
READ_VOUT (PAGE 0)	[15:8]	LIN 16	127	
	[7:0]	LIN 16	128	
READ_VOUT (PAGE 1)	[15:8]	LIN 16	129	
	[7:0]	LIN 16	130	
READ_IOUT (PAGE 0)	[15:8]	LIN 11	131	
	[7:0]	LIN 11	132	
READ_IOUT (PAGE 1)	[15:8]	LIN 11	133	
	[7:0]	LIN 11	134	
READ_VIN	[15:8]	LIN 11	135	
	[7:0]	LIN 11	136	
READ_IIN	[15:8]	LIN 11	137	
	[7:0]	LIN 11	138	
STATUS_VOUT (PAGE 0)		BYTE	139	
STATUS_VOUT (PAGE 1)		BYTE	140	
STATUS_WORD (PAGE 0)	[15:8]	WORD	141	
	[7:0]	WORD	142	
STATUS_WORD (PAGE 1)	[15:8]	WORD	143	
	[7:0]	WORD	144	
STATUS_MFR_SPECIFIC (PAGE 0)		BYTE	145	
STATUS_MFR_SPECIFIC (PAGE 1)		BYTE	146	

**Table 21. Explanation of Position\_Fault Values**

POSITION_FAULT VALUE	SOURCE OF FAULT LOG
0xFF	MFR_FAULT_LOG_STORE
0x00	TON_MAX_FAULT
0x01	VOUT_OV_FAULT
0x02	VOUT_UV_FAULT
0x03	IOUT_OC_FAULT
0x05	TEMP_OT_FAULT
0x06	TEMP_UT_FAULT
0x07	VIN_OV_FAULT
0x0A	MFR_TEMP_2_OT_FAULT

### ***MFR\_INFO***

Contact the factory for details.

### ***MFR\_IOUT\_CAL\_GAIN***

Contact the factory for details.

## PMBus COMMAND DETAILS

### *MFR\_FAULT\_LOG\_CLEAR*

The *MFR\_FAULT\_LOG\_CLEAR* command will erase the fault log file stored values. It will also clear bit 3 in the *STATUS\_MFR\_SPECIFIC* command. After a clear is issued, the status can take up to 8ms to clear.

This write-only command is send bytes.

### Block Memory Write/Read

COMMAND NAME	CMD CODE	DESCRIPTION	TYPE	PAGED	DATA FORMAT	UNITS	NVM	DEFAULT VALUE
<i>MFR_EE_UNLOCK</i>	0xBD	Unlock user EEPROM for access by <i>MFR_EE_ERASE</i> and <i>MFR_EE_DATA</i> commands.	R/W Byte	N	Reg			NA
<i>MFR_EE_ERASE</i>	0xBE	Initialize user EEPROM for bulk programming by <i>MFR_EE_DATA</i> .	R/W Byte	N	Reg			NA
<i>MFR_EE_DATA</i>	0xBF	Data transferred to and from EEPROM using sequential PMBus word reads or writes. Supports bulk programming.	R/W Word	N	Reg			NA

All the NVM commands are disabled if the die temperature exceeds 130°C. NVM commands are re-enabled when the die temperature drops below 125°C.

### *MFR\_EE\_xxxx*

The *MFR\_EE\_xxxx* commands facilitate bulk programming of the LTM4678 internal EEPROM. Contact the factory for details.



## PACKAGE DESCRIPTION



PACKAGE ROW AND COLUMN LABELING MAY VARY AMONG  $\mu$ Module PRODUCTS. REVIEW EACH PACKAGE LAYOUT CAREFULLY.

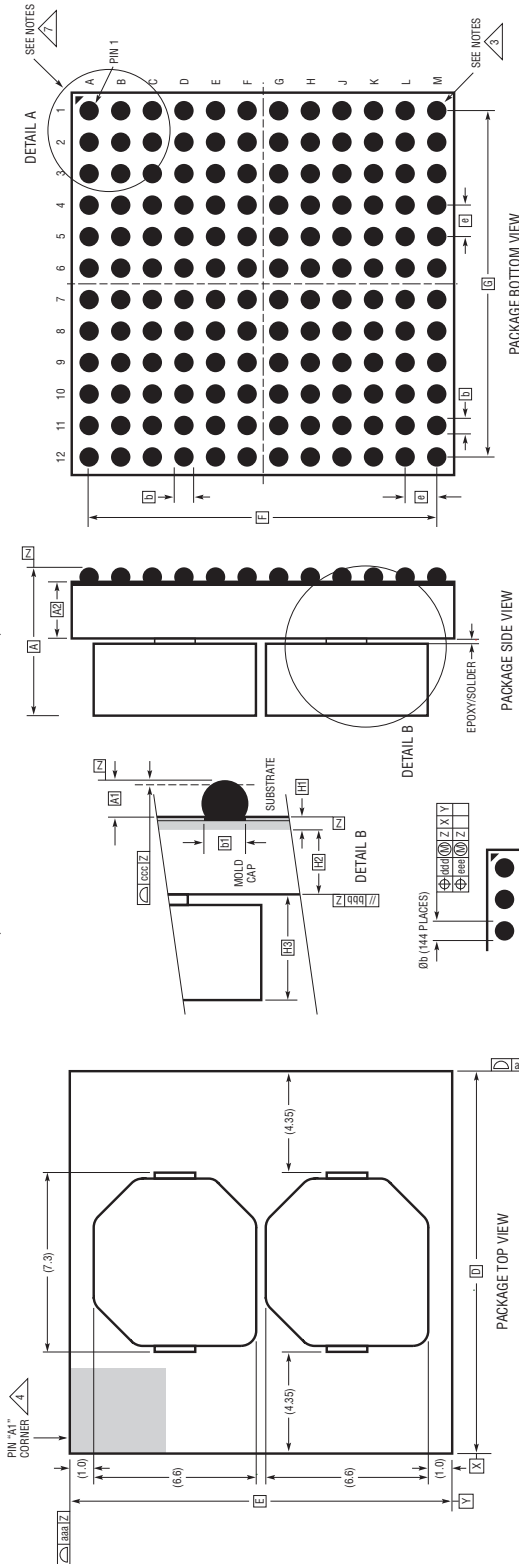
Table 22. LTM4678 BGA Pinout

PIN ID	FUNCTION	PIN ID	FUNCTION	PIN ID	FUNCTION	PIN ID	FUNCTION	PIN ID	FUNCTION	PIN ID	FUNCTION
A1	SW1	B1	GND	C1	GND	D1	SV <sub>IN</sub>	E1	V <sub>IN1</sub>	F1	V <sub>IN1</sub>
A2	SW1	B2	SW1	C2	GND	D2	GND	E2	V <sub>IN1</sub>	F2	V <sub>IN1</sub>
A3	GND	B3	GND	C3	GND	D3	GND	E3	V <sub>IN1</sub>	F3	V <sub>IN1</sub>
A4	GND	B4	GND	C4	GND	D4	GND	E4	V <sub>IN1</sub>	F4	V <sub>IN1</sub>
A5	GND	B5	GND	C5	GND	D5	GND	E5	GND	F5	GND
A6	GND	B6	GND	C6	GND	D6	GND	E6	GND	F6	GND
A7	V <sub>OUT1</sub>	B7	V <sub>OUT1</sub>	C7	V <sub>OUT1</sub>	D7	V <sub>OUT1</sub>	E7	INTV <sub>CC</sub>	F7	GND
A8	V <sub>OUT1</sub>	B8	V <sub>OUT1</sub>	C8	V <sub>OUT1</sub>	D8	TSNS1b	E8	V <sub>DD33</sub>	F8	EXTV <sub>CC</sub>
A9	V <sub>OUT1</sub>	B9	V <sub>OUT1</sub>	C9	V <sub>OUT1</sub>	D9	PGOOD1	E9	FSWPH_CFG	F9	SGND
A10	V <sub>OUT1</sub>	B10	V <sub>OUT1</sub>	C10	COMP1b	D10	COMP1a	E10	VTRIM1_CFG	F10	SGND
A11	V <sub>OSNS1</sub> <sup>+</sup>	B11	V <sub>OUT1</sub>	C11	WP	D11	SHARE_CLK	E11	VOUT0_CFG	F11	RUN1
A12	V <sub>OSNS1</sub> <sup>-</sup>	B12	V <sub>OUT1</sub>	C12	VTRIM0_CFG	D12	V <sub>DD25</sub>	E12	VOUT1_CFG	F12	ASEL

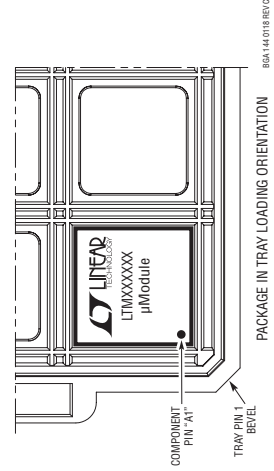
PIN ID	FUNCTION	PIN ID	FUNCTION	PIN ID	FUNCTION	PIN ID	FUNCTION	PIN ID	FUNCTION	PIN ID	FUNCTION
G1	V <sub>INO</sub>	H1	V <sub>INO</sub>	J1	I <sub>IN</sub> <sup>+</sup>	K1	I <sub>IN</sub> <sup>-</sup>	L1	GND	M1	SW0
G2	V <sub>INO</sub>	H2	V <sub>INO</sub>	J2	GND	K2	GND	L2	SW0	M2	SW0
G3	V <sub>INO</sub>	H3	V <sub>INO</sub>	J3	GND	K3	GND	L3	GND	M3	GND
G4	V <sub>INO</sub>	H4	V <sub>INO</sub>	J4	GND	K4	GND	L4	GND	M4	GND
G5	GND	H5	GND	J5	GND	K5	GND	L5	GND	M5	GND
G6	GND	H6	GND	J6	GND	K6	GND	L6	GND	M6	GND
G7	GND	H7	GND	J7	PGOOD0	K7	V <sub>OUT0</sub>	L7	V <sub>OUT0</sub>	M7	V <sub>OUT0</sub>
G8	GND	H8	GND	J8	TSNS0b	K8	V <sub>OUT0</sub>	L8	V <sub>OUT0</sub>	M8	V <sub>OUT0</sub>
G9	SGND	H9	COMP0b	J9	COMP0a	K9	V <sub>OUT0</sub>	L9	V <sub>OUT0</sub>	M9	V <sub>OUT0</sub>
G10	SGND	H10	SDA	J10	TSNS1a	K10	V <sub>OUT0</sub>	L10	V <sub>OUT0</sub>	M10	V <sub>OUT0</sub>
G11	FAULT <sub>1</sub>	H11	ALERT	J11	TSNS0a	K11	V <sub>OUT0</sub>	L11	V <sub>OUT0</sub>	M11	V <sub>OSNS0</sub> <sup>+</sup>
G12	RUN0	H12	FAULT <sub>0</sub>	J12	SCL	K12	SYNC	L12	V <sub>OUT0</sub>	M12	V <sub>OSNS0</sub> <sup>-</sup>

PACKAGE DESCRIPTION

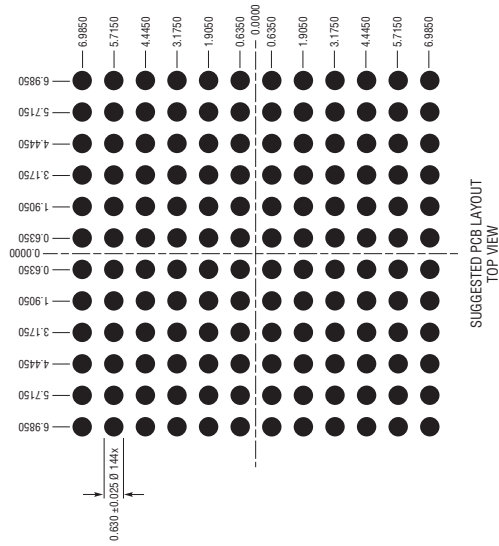
**BGA Package**  
**144-Lead (16mm × 16mm × 5.86mm)**  
 (Reference LTC DWG # 05-08-1540 Rev C)



- NOTES:
1. DIMENSIONING AND TOLERANCING PER ASME Y14.5M-1994
  2. ALL DIMENSIONS ARE IN MILLIMETERS
  3. BALL DESIGNATION PER JEDEC MS-028 AND JEP95
  4. DETAILS OF PIN #1 IDENTIFIER ARE OPTIONAL, BUT MUST BE LOCATED WITHIN THE ZONE INDICATED. THE PIN #1 IDENTIFIER MAY BE EITHER A MOLD OR MARKED FEATURE
  5. PRIMARY DATUM -Z- IS SEATING PLANE
  6. PACKAGE ROW AND COLUMN LABELING MAY VARY AMONG  $\mu$ Module PRODUCTS. REVIEW EACH PACKAGE LAYOUT CAREFULLY



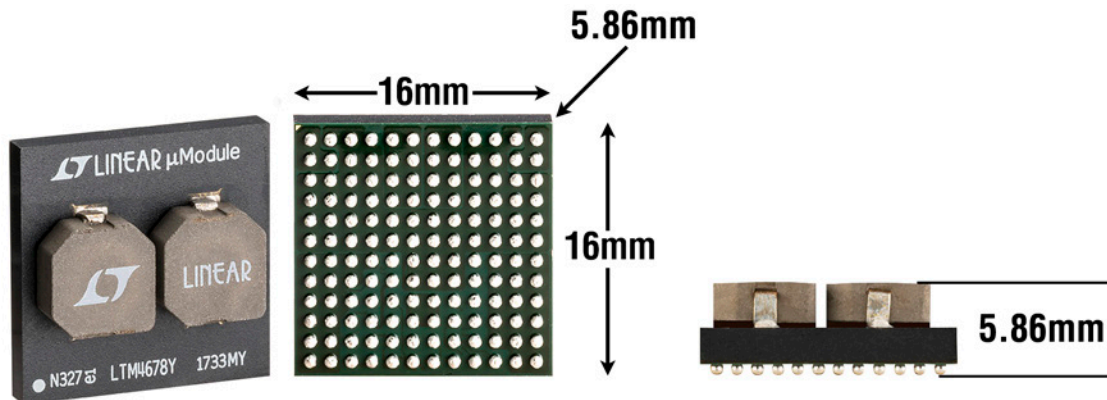
SYMBOL	DIMENSIONS		NOTES
	MIN	MAX	
A	5.46	5.86	6.26
A1	0.30	0.60	0.70
A2	2.23	2.32	2.41
b	0.60	0.75	0.90
b1	0.60	0.63	0.66
D	16.00		
E	16.00		
e	1.27		
F	13.97		
G	13.97		
H1	0.28	0.32	0.36
H2	1.95	2.00	2.05
H3	2.73	2.84	3.15
aaa			0.15
bbb			0.10
ccc			0.20
ddd			0.30
eee			0.15
TOTAL NUMBER OF BALLS:			144



## REVISION HISTORY

REV	DATE	DESCRIPTION	PAGE NUMBER
A	03/19	Changed Current Readback Accuracy from $\pm 5\%$ to $\pm 3.5\%$ and added temperature condition Changed $I_{OUT}$ condition on $I_{OUTn}$ and $I_{OUTn(OCL\_AVG)}$ from 34A to 36A Changed $I_{OUTn(OCL\_AVG)}$ from 35A to 30A, deleted $I_{OUTn(OCL\_PK)}$ Changed default value of MFR_IOUT_CAL_GAIN_TC to 3800 0x0ED8 Changed default value of MFR_IOUT_CAL_GAIN to 0.68 typical 0xD02C Updated IOUT_OC_FAULT_LIMIT table Updated READ_IOUT graphs Changed EA_GM to 3.69ms from 1ms on Load Transient Response for $0.9V_{OUT}$ Changed maximum $V_{OUT}$ voltage from 3.3V to 3.4V Changed default value of MFR_VOUT_MAX to 0x399A Changed minimum $V_{OUT}$ from 0.6V to 0.5V on $V_{OUT-RNGL}$ , $V_{OUT-RNGH}$ , $V_{O-RB-ACC}$ Added description Not Recommended for Upside Down Reflow, updated Pin Configuration information Changed minimum $V_{IN}$ conditions from 5.0V to 5.75V for Line Regulation Changed $SV_{IN-OV-ACC}$ to 350mV, changed maximum value of $V_{IN\_THR}$ to 7.5V Changed maximum frequency range to 1000kHz, changed default Switching Frequency to 350 in Table 3 Changed $t_{ON(MIN)}$ from 50ns to 60ns Added Note 15 to $V_{OUT-RNGH}$ , $R_{COMP0,1}$ , $g_{m0,1}$ , $V_{INSTP}$ , $V_{ICHIPSTP}$ , $V_{DD33\_OV}$ , $V_{DD33\_UV}$ , $V_{TH(SYNC)}$ Corrected typo on $V_{OV-ACC-0,1}$ and $V_{UV-ACC}$ Corrected typo on Note 14 and Note 16, added Note 19 Tied $SV_{IN}$ to $V_{IN}$ directly on Test Circuit 1 and Test Circuit 2 Update Figure 29, Figure 45 thru Figure 49	1, 8 5, 6 6 48, 88 88 89 14 13 1,5,19–21,27,86 47 6, 7 4 5 7, 8 9, 31 6 6, 7, 8, 9 6, 7 11 21 58, 71–75

## PACKAGE PHOTOGRAPH



## DESIGN RESOURCES

SUBJECT	DESCRIPTION
<a href="#">μModule Design and Manufacturing Resources</a>	<p>Design:</p> <ul style="list-style-type: none"> <li>• Selector Guides</li> <li>• Demo Boards and Gerber Files</li> <li>• Free Simulation Tools</li> </ul> <p>Manufacturing:</p> <ul style="list-style-type: none"> <li>• Quick Start Guide</li> <li>• PCB Design, Assembly and Manufacturing Guidelines</li> <li>• Package and Board Level Reliability</li> </ul>
<a href="#">μModule Regulator Products Search</a>	<ol style="list-style-type: none"> <li>1. Sort table of products by parameters and download the result as a spread sheet.</li> <li>2. Search using the Quick Power Search parametric table.</li> </ol> <div style="border: 1px solid #ccc; padding: 5px; margin-top: 10px;"> <p><b>Quick Power Search</b></p> <p>INPUT   <math>V_{in}(\text{Min})</math> <input type="text"/> V      <math>V_{in}(\text{Max})</math> <input type="text"/> V</p> <p>OUTPUT   <math>V_{out}</math> <input type="text"/> V      <math>I_{out}</math> <input type="text"/> A</p> <p>FEATURES   <input type="checkbox"/> Low EMI    <input type="checkbox"/> Ultrathin    <input type="checkbox"/> Internal Heat Sink</p> <p style="text-align: center;"><a href="#">Multiple Outputs</a>      <a href="#">Search</a></p> </div>
<a href="#">Digital Power System Management</a>	Analog Devices' family of digital power supply management ICs are highly integrated solutions that offer essential functions, including power supply monitoring, supervision, margining and sequencing, and feature EEPROM for storing user configurations and fault logging.

## RELATED PARTS

PART NUMBER	DESCRIPTION	COMMENTS
<a href="#">LTM4676A</a>	Lower Power Than the LTM4677, Pin Compatible	Dual 13A or Single 26A
<a href="#">LTM4630</a>	Same Power as the LTM4677 but without Digital Power System Management	Dual 18A or Single 36A
<a href="#">LTM4620/LTM4620A</a>	Lower Power Than the LTM4677 but without Digital Power System Management	Dual 13A or Single 26A, Pin Compatible with the LTM4630
<a href="#">LTM4633</a>	Triple Output 16V <sub>IN</sub> , 5.5V <sub>OUT</sub>	10A, 10A, 10A
<a href="#">LTM4634</a>	Triple Output 28V <sub>IN</sub> , 12V <sub>OUT</sub>	5A, 5A, 4A
<a href="#">LTM4675</a>	Lower Power Than the LTM4677, Smaller Package	Dual 9A or Single 18A, 11.9mm × 16mm × 3.5mm
<a href="#">LTM4650/LTM4650-1</a>	More Current Up to 50A μModule Regulator	Dual 25A or Single 50A
<a href="#">LTM4677</a>	Dual 18A or Single 36A with PSM	$4.5V \leq V_{IN} \leq 16V$ , $0.5V \leq V_{OUT} \leq 1.8V$