



ELECTRONICS

Approval



TO

DATE : July, 9, 2007

SAMSUNG TFT-LCD
MODEL NO. : LTN141W1-L09

NOTE :
- Extension code [-1] ; LTN141W1-L09-1
- Surface type [**Anti-Glare**]

Any Modification of Specification is not allowed without SEC's Permission.

W. B. Youn

APPROVED BY : _____

PREPARED BY : **LCD Product Planning Group 1, Marketing Team**

SAMSUNG ELECTRONICS CO., LTD.



Samsung Secret

Doc.No.	LTN141W1-L09	Rev.No	04-A02-S-070709	Page	1 / 32
---------	--------------	--------	-----------------	------	--------

CONTENTS

Revision History	----- (3)
General Description	----- (4)
1. Absolute Maximum Ratings	----- (5)
1.1 Absolute Ratings of environment	
1.2 Electrical Absolute Ratings	
2. Optical Characteristics	----- (7)
3. Electrical Characteristics	----- (10)
3.1 TFT LCD Module	
3.2 Backlight Unit	
3.3 Inverter	
4. Block Diagram	----- (14)
4.1 TFT LCD Module	
4.2 Backlight Unit	
4.3 Inverter Unit	
5. Input Terminal Pin Assignment	----- (16)
5.1 Input Signal & Power	
5.2 LVDS Interface	
5.3 Backlight Unit	
5.4 Timing Diagrams of LVDS For Transmitting	
5.5 Input Signals, Basic Display Colors and Gray Scale of Each Color.	
5.6 Pixel format	
5.7 Inverter Signals & Power	
6. Interface Timing	----- (22)
6.1 Timing Parameters	
6.2 Timing Diagrams of interface Signal	
6.3 Power ON/OFF Sequence	
7. Outline Dimension	----- (24)
8. Packing	----- (25)
9. Markings & Others	----- (26)
10. General Precaution	----- (28)
11. EDID	----- (30)

GENERAL DESCRIPTION

DESCRIPTION

LTN141W1-L09 is a color active matrix TFT (Thin Film Transistor) liquid crystal display (LCD) that uses amorphous silicon TFT as a switching devices. This model is composed of a TFT LCD panel, a driver circuit and a backlight unit. The resolution of a 14.1" contains 1,280 x 800 pixels and can display up to 262,144 colors. 6 O'clock direction is the Optimum viewing angle.

FEATURES

- High contrast ratio, high aperture structure
- 1280 x 800 pixels resolution
- Low power consumption
- Fast Response
- Single CCFL
- DE(Data enable) only mode
- 3.3V LVDS Interface
- Onboard EEDID chip
- Attached Burst mode Inverter with Ambient Light Sensor

APPLICATIONS

- Notebook PC
- If the usage of this product is not for PC application, but for others, please contact SEC.

GENERAL INFORMATION

Item	Specification	Unit	Note
Display area	303.36(H) x 189.6(V) (14.1" diagonal)	mm	
Driver element	a-Si TFT active matrix		
Display colors	262,144		
Number of pixel	1280 x RGB(3) x 800	pixel	16 : 10
Pixel arrangement	RGB vertical stripe		
Pixel pitch	0.2370(H) x 0.2370(V) (TYP.)	mm	
Display Mode	Normally white		
Surface treatment	Haze 25, Hard-Coating 3H		

Samsung Secret

Mechanical Information

Item		Min.	Typ.	Max.	Unit	Note
Module size	Horizontal (H)	319.0	319.5	320.0	mm	w/o inverter ass'y
	Vertical (V)	205.0	205.5	206.0	mm	
	Depth (D)	-	-	5.5	mm	
Weight		-	390	440	g	w/o Inverter
		-	405	455	g	w/ Inverter assembly

1. ABSOLUTE MAXIMUM RATINGS

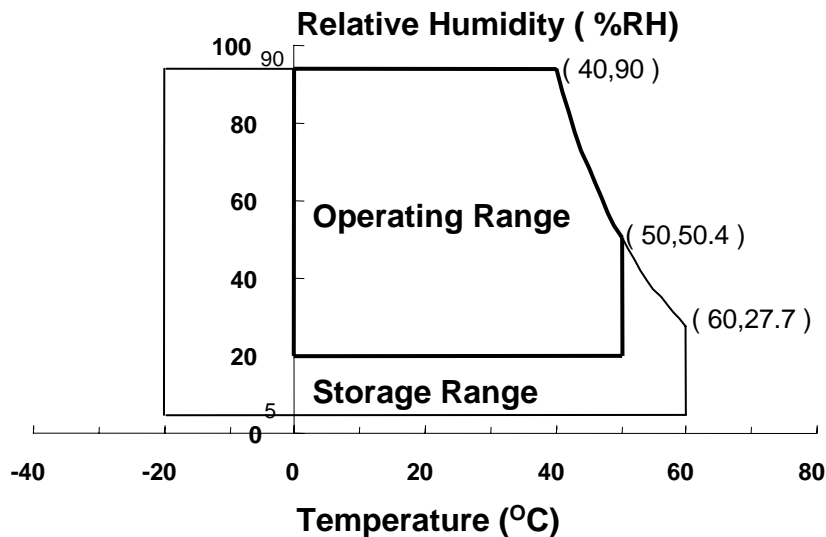
1.1 ENVIRONMENTAL ABSOLUTE RATINGS

Item	Symbol	Min.	Max.	Unit	Note
Storage temperate	TSTG	-20	60	°C	(1)
Operating temperate (Temperature of glass surface)	TOPR	0	50	°C	(1)
Shock (non-operating)	Snop	-	240	G	(2),(4)
Vibration (non-operating)	Vnop	-	2.41	G	(3),(4)

Note (1) Temperature and relative humidity range are shown in the figure below.

95 % RH Max. ($40\text{ }^{\circ}\text{C} \geq T_a$)

Maximum wet - bulb temperature at $39\text{ }^{\circ}\text{C}$ or less. ($T_a > 40\text{ }^{\circ}\text{C}$) No condensation



(2) 2ms, half sine wave, one time for $\pm X, \pm Y, \pm Z$.

(3) 5 - 500 Hz, random vibration, 30min for X, Y, Z.

(4) At testing Vibration and Shock, the fixture in holding the Module to be tested have to be hard and rigid enough so that the Module would not be twisted or bent by the fixture.

Samsung Secret

1.2 ELECTRICAL ABSOLUTE RATINGS

(1) TFT LCD MODULE

 $V_{DD} = 3.3V, V_{SS} = GND = 0V$

Item	Symbol	Min.	Max.	Unit	Note
Power Supply Voltage	V_{DD}	$V_{SS} - 0.3$	3.6	V	(1)

Note (1) Within T_a ($25 \pm 2 \text{ }^\circ\text{C}$)

(2) BACK-LIGHT UNIT

 $T_a = 25 \pm 2 \text{ }^\circ\text{C}$

Item	Symbol	Min.	Max.	Unit	Note
Lamp Current	I_L	2.0	7.0	mArms	(1)
Lamp frequency	F_L	40	80	kHz	(1)

Note 1) Permanent damage to the device may occur if maximum values are exceeded
 Functional operation should be restricted to the conditions described under normal operating conditions.

2. OPTICAL CHARACTERISTICS

The following items are measured under stable conditions. The optical characteristics should be measured in a dark room or equivalent state with the methods shown in Note (5).
Measuring equipment : TOPCON BM-5A and PR-650

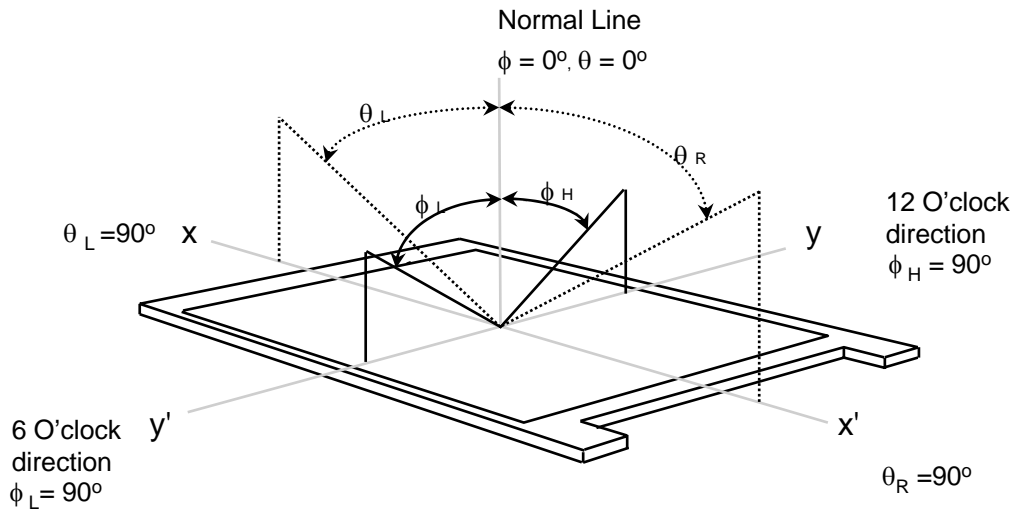
* Ta = 25 ± 2 °C, VDD=3.3V, fv= 60Hz, fdCLK = 68.9MHz, IL = 6.0 mArms

Item		Symbol	Condition	Min.	Typ.	Max	Unit	Note
Contrast Ratio (5 Points)		CR		300	-	-	-	(1), (2), (5)
Response Time at Ta (Rising + Falling)		T _{RT,BW}		-	25	35	msec	(1), (3)
Average Luminance of White (5 Points)		Y _{L,AVE}		200	220	-	cd/m ²	IL=6.0mA (1), (4)
Color Chromaticity (CIE)	Red	R _X	Normal Viewing Angle φ = 0 θ = 0	(0.570)	(0.590)	(0.610)	-	(1), (5) PR-650
		R _Y		(0.320)	(0.340)	(0.360)		
	Green	G _X		(0.300)	(0.320)	(0.340)		
		G _Y		(0.520)	(0.540)	(0.560)		
	Blue	B _X		(0.135)	(0.155)	(0.175)		
		B _Y		(0.120)	(0.140)	(0.160)		
	White	W _X		(0.295)	(0.315)	(0.335)		
		W _Y		(0.310)	(0.330)	(0.350)		
Color Gamut				42	45	-	%	
Viewing Angle	Hor.	θ _L	CR ≥ 10	40	50	-	Degrees	(1), (5) BM-5A
		θ _R		40	50	-		
	Ver.	φ _H		15	25	-		
		φ _L		30	40	-		
	Hor.	θ _L	CR ≥ 100	20	25		Degrees	
		θ _R		20	25			
	Ver.	φ _H		5	10			
		φ _L		15	20			
13 Points White Variation		δ _L		-	-	2.2	-	(6)

Samsung Secret

Note 1) Definition of Viewing Angle : Viewing angle range($10 \leq C/R$, $100 \leq C/R$)

Approval

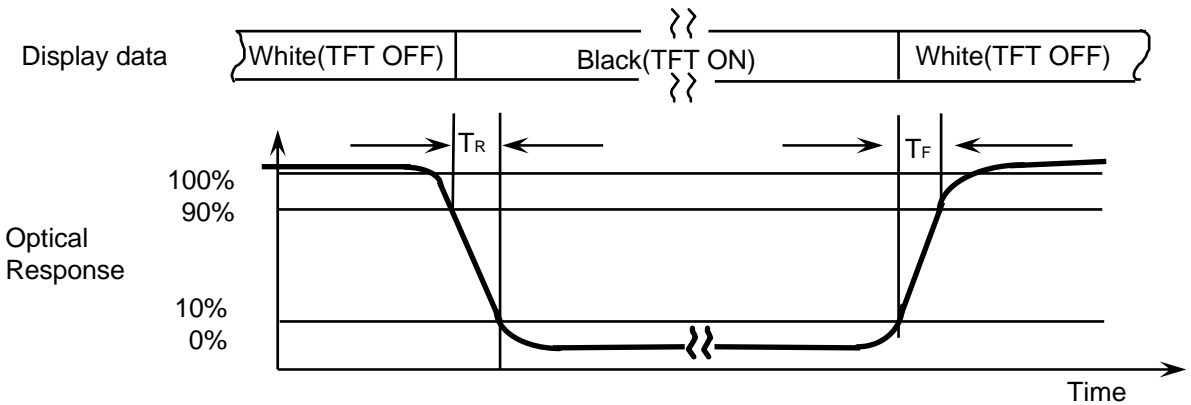


Note 2) Definition of Contrast Ratio (CR) : Ratio of gray max (Gmax) ,gray min (Gmin) at 5 points(4, 5, 7, 9, 10)

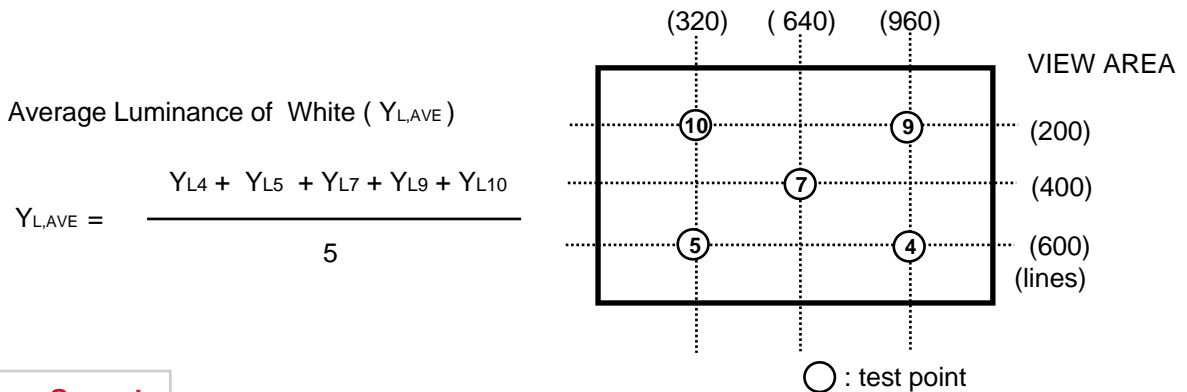
$$CR = \frac{CR(4) + CR(5) + CR(7) + CR(9) + CR(10)}{5}$$

Points : (4) , (5) , (7) , (9) , (10) at the figure of Note (6).

Note 3) Definition of Response time :

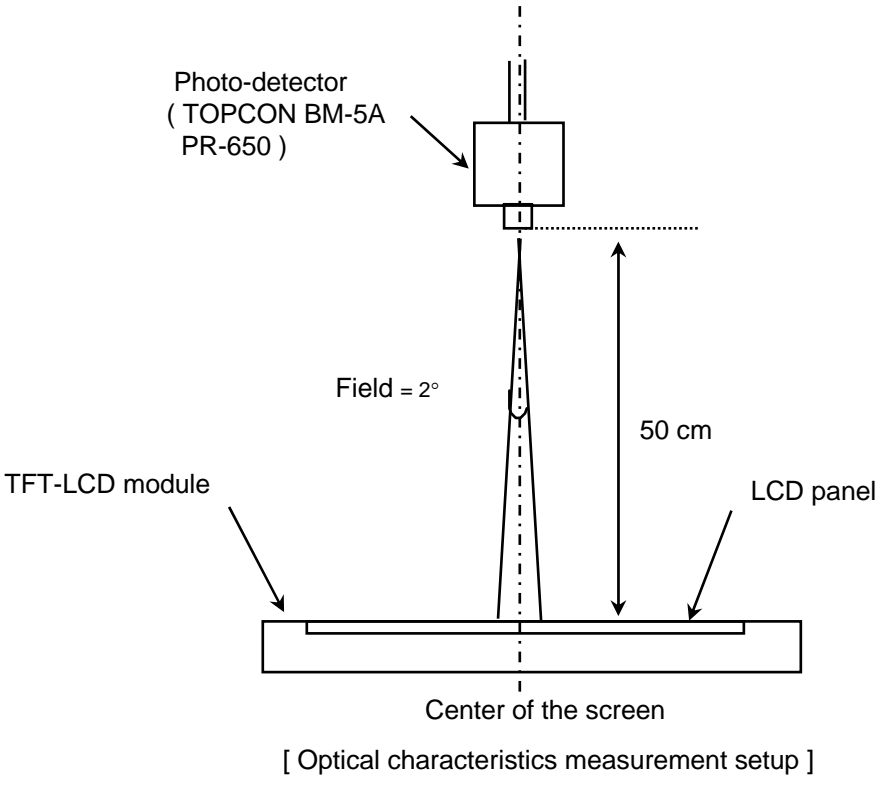


Note 4) Definition of Average Luminance of White : measure the luminance of white at 5 points.



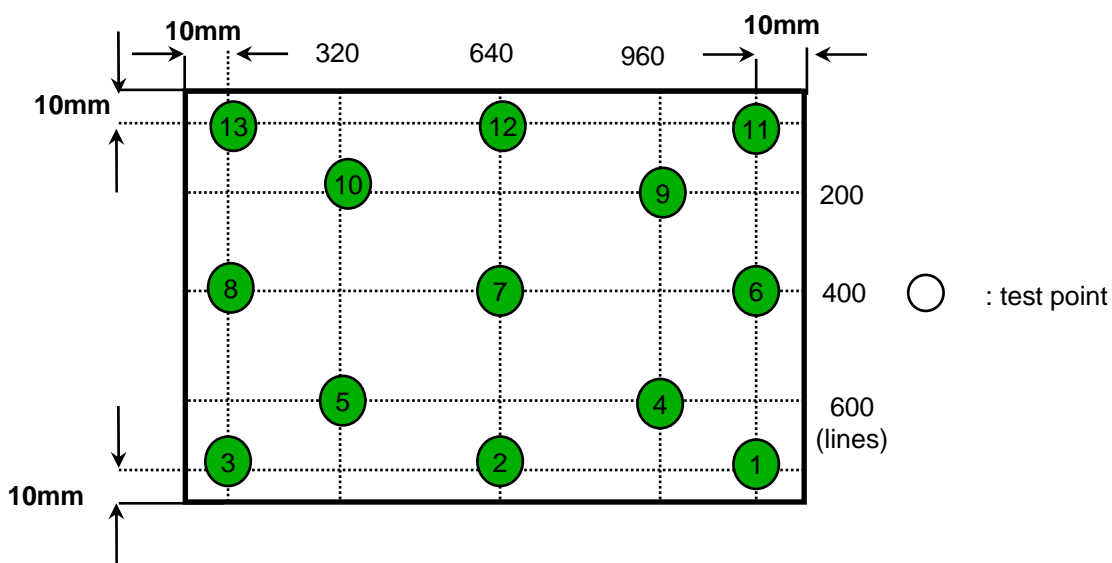
Samsung Secret

Note 5) After stabilizing and leaving the panel alone at a given temperature for 30 min , the measurement should be executed. Measurement should be executed in a stable, windless, and dark room. 30 min after lighting the backlight. This should be measured in the center of screen.
 Lamp current : 6.0mA
 Environment condition : $T_a = 25 \pm 2 \text{ }^\circ\text{C}$



Note 6) Definition of 13 points white variation (δL), CR variation(C_{VER}) [① ~ ⑬]

$$\delta L = \frac{\text{Maximum luminance of 13 points}}{\text{Minimum luminance of 13 points}}$$



Samsung Secret

3. ELECTRICAL CHARACTERISTICS

Approval

3.1 TFT LCD MODULE

Ta= 25 ± 2°C

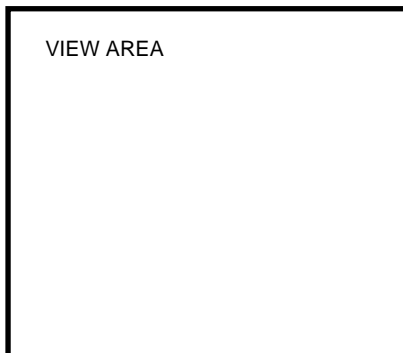
Item	Symbol	Min.	Typ.	Max.	Unit	Note	
Voltage of Power Supply	V _{DD}	3.0	3.3	3.6	V		
Differential Input Voltage for LVDS Receiver Threshold	High	V _{IH}	-	-	+100	mV	V _{CM} = +1.2V
	Low	V _{IL}	-100	-	-	mV	
Vsync Frequency	f _v	-	60	-	Hz		
Hsync Frequency	f _h	-	48.96	-	KHz	f _v *816	
Main Frequency	f _{DCLK}	-	68.93	-	MHz	f _h *1408	
Rush Current	I _{RUSH}	-	-	1.5	A	(4)	
Current of Power Supply	White	I _{DD}	-	290	-	mA	(2),(3)*a
	Mosaic		-	300	-	mA	(2),(3)*b
	V. stripe		-	350	485	mA	(2),(3)*c

Note (1) Display data pins and timing signal pins should be connected.(GND = 0V)

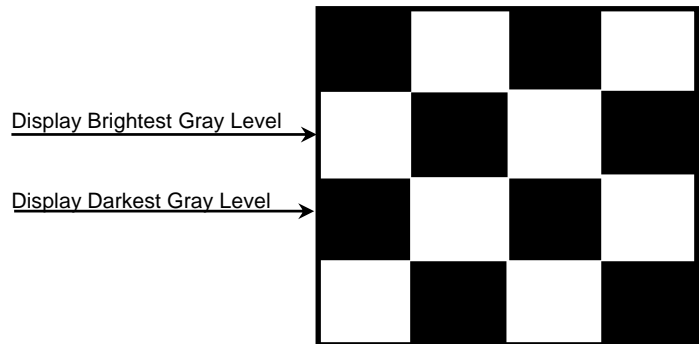
(2) f_v = 60Hz, f_{DCLK} = 68.9MHz, V_{DD} = 3.3V , DC Current.

(3) Power dissipation pattern

*a) White Pattern

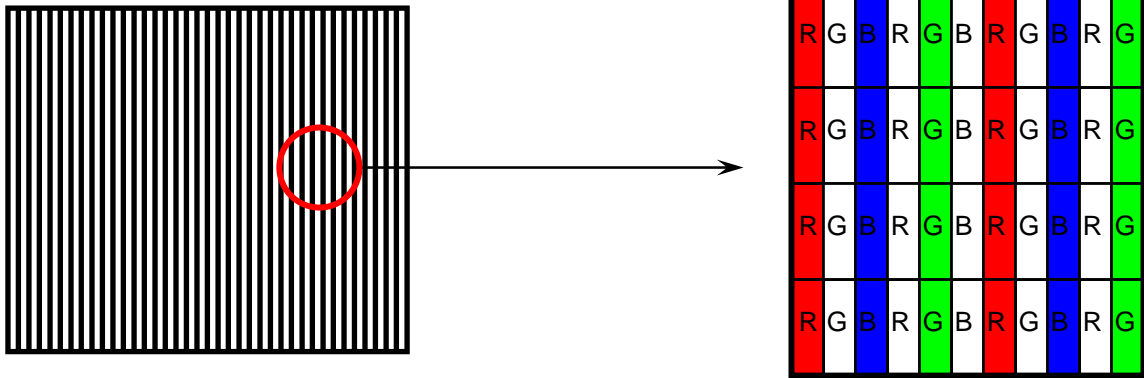


*b) Mosaic Pattern

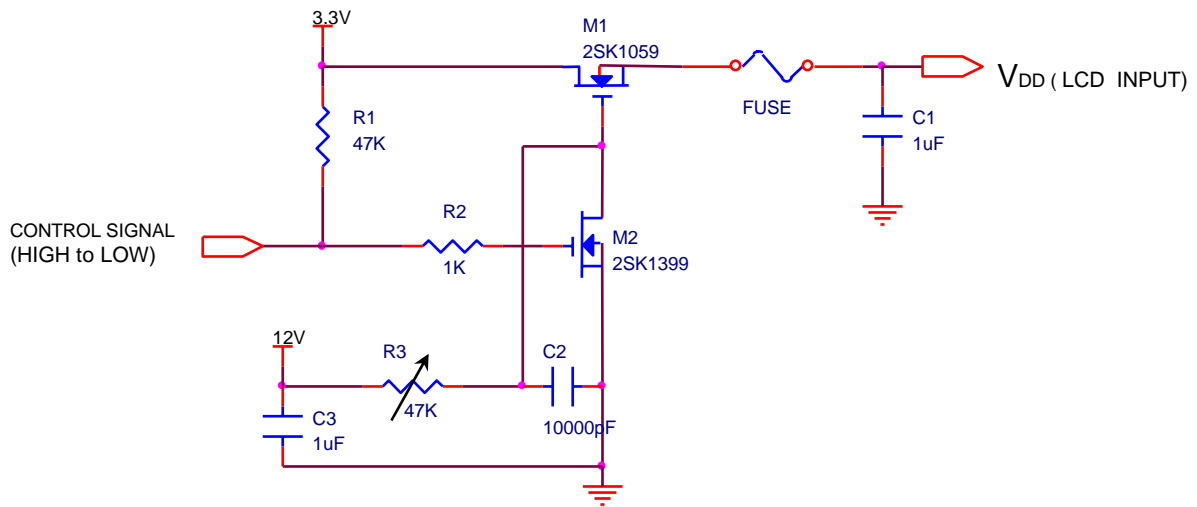


Samsung Secret

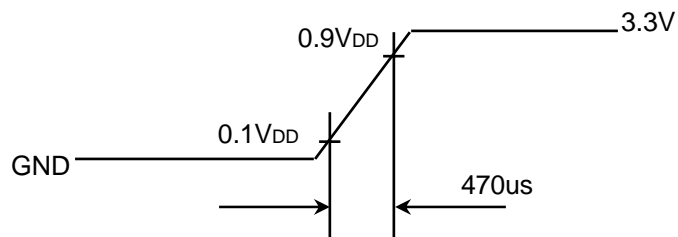
*c) 1dot Vertical stripe pattern



4) Rush current measurement condition



V_{DD} rising time is 470us



Samsung Secret

3.2 BACK-LIGHT UNIT

The backlight system is an edge-lighting type with a single CCFT (Cold Cathode Fluorescent Tube).
The characteristics of a single lamp are shown in the following table.

- INVERTER : Foxconn / Sumida

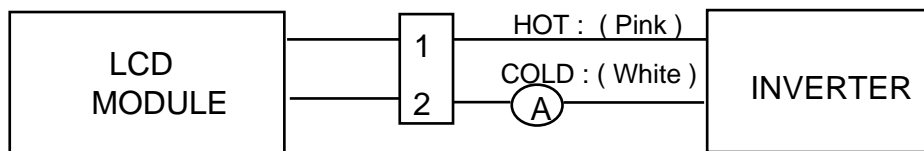
Ta= 25 ± 2 °C

Item	Symbol	Min.	Typ.	Max.	Unit	Note
Lamp Current	I _L	3.0	6.0	6.5	mArms	(1)
Lamp Voltage	V _L	-	655	-	Vrms	I _L = 6.0mA
Frequency	f _L	50	60	65	KHz	(2)
Power Consumption	P _L	-	4.3	-	W	(3) I _L = 6.0mA
Operating Life Time	Hr	15,000	-	-	Hour	(4)
Startup Voltage	V _s	-	-	1120	Vrms	25°C, (5)
				1345	Vrms	0°C, (5)

Note) The waveform of the inverter output voltage must be area symmetric and the design of the inverter must have specifications for the modularized lamp.

The performance of the backlight, for example life time or brightness, is much influenced by the characteristics of the DC-AC inverter for the lamp. So all the parameters of an inverter should be carefully designed so as not to produce too much leakage current from high-voltage output of the inverter. When you design or order the inverter, please make sure that a poor lighting caused by the mismatch of the backlight and the inverter(miss lighting, flicker, etc.) never occur. When you confirm it, the module should be operated in the same condition as it is installed in your instrument.

Note (1) Lamp current is measured with a high frequency current meter as shown below.



- (2) Lamp frequency may produce interference with horizontal synchronous frequency and this may cause line flow on the display. Therefore lamp frequency should be detached from the horizontal synchronous frequency and its harmonics as far as possible in order to avoid interference.
- (3) Refer to I_L × V_L to calculate.
- (4) Life time (Hr) of a lamp can be defined as the time in which it continues to operate under the condition Ta= 25 ± 2 °C and I_L = 6.0 mArms until one of the following event occurs.
1. When the brightness becomes 50% or lower than the original.
 2. When the Effective ignition length becomes 80% or lower than the original value.
(Effective ignition length is defined as an area that has less than 70% brightness compared to the brightness in the center point.)
 3. Lamp unit only.
- (5) The inverter open voltage - this voltage should be measured behind ballast capacitor- has to be larger than the lamp startup voltage. Otherwise, backlight may have blinking for a moment after being turned on, or not be turned on. If an inverter has shutdown function, it should keep its open voltage for longer than 1 second even if a lamp connector is open..

Samsung Secret

3.3 Inverter

Approval

Inverter Manufacturer : Ambit / Sumida

Ta = 25 ± 2°C

Item		Min.	Typ.	Max	Unit	Note
Input Voltage (Vin)		7.5	14.4	21.0	V	
Open Circuit Voltage		1400	-	1800	Vrms	
Lamp Current (Duty Cycle)		10 @SMB_DAT (TBD)	-	100 @SMB_DAT FFH IL=6.0mArms	%	Vin=14.4V (3)
Efficiency	Optical	20	-	-	nit / W	After 30min turn on at the center of LCD Vin=14.4V @ 6.0mA
	Electrical	-	80	-	%	
Operating Frequency		45	55	65	kHz	SMB_DAT=FFH
Input Power Consumption		-	-	6.5	W	Vin=14.4V Iout = 6.0mArms
PWM Frequency		200	210	220	Hz	
Shutdown time		0.6	1.0	1.4	sec	
Start-up time		-	-	0.1	sec	(1)

Note)

(1) Inverter start-up time

(2) Efficiency should be calculated as below formulation.

Optical efficiency = output Brightness(nits) / Input power(watt)

Electrical efficiency = output power / input power

(3) Below items are not guaranteed, if this product is used at 10nit setting.

1. Luminance deviation

. Luminance deviation 20% can not be guaranteed under 20% duty ratio.

2. Luminance reduction at low temperature

. Luminance can be reduced at lower temperature.

3. Partial turn-on of lamp / No turn-on / Non-uniformity

. Visual characteristic problems can happen due to the abnormal turn-on of lamp.

. Lamp can not be turned on under 20% duty ratio.

. Non-uniformity can occur due to the mercury distribution under 20% duty ratio.

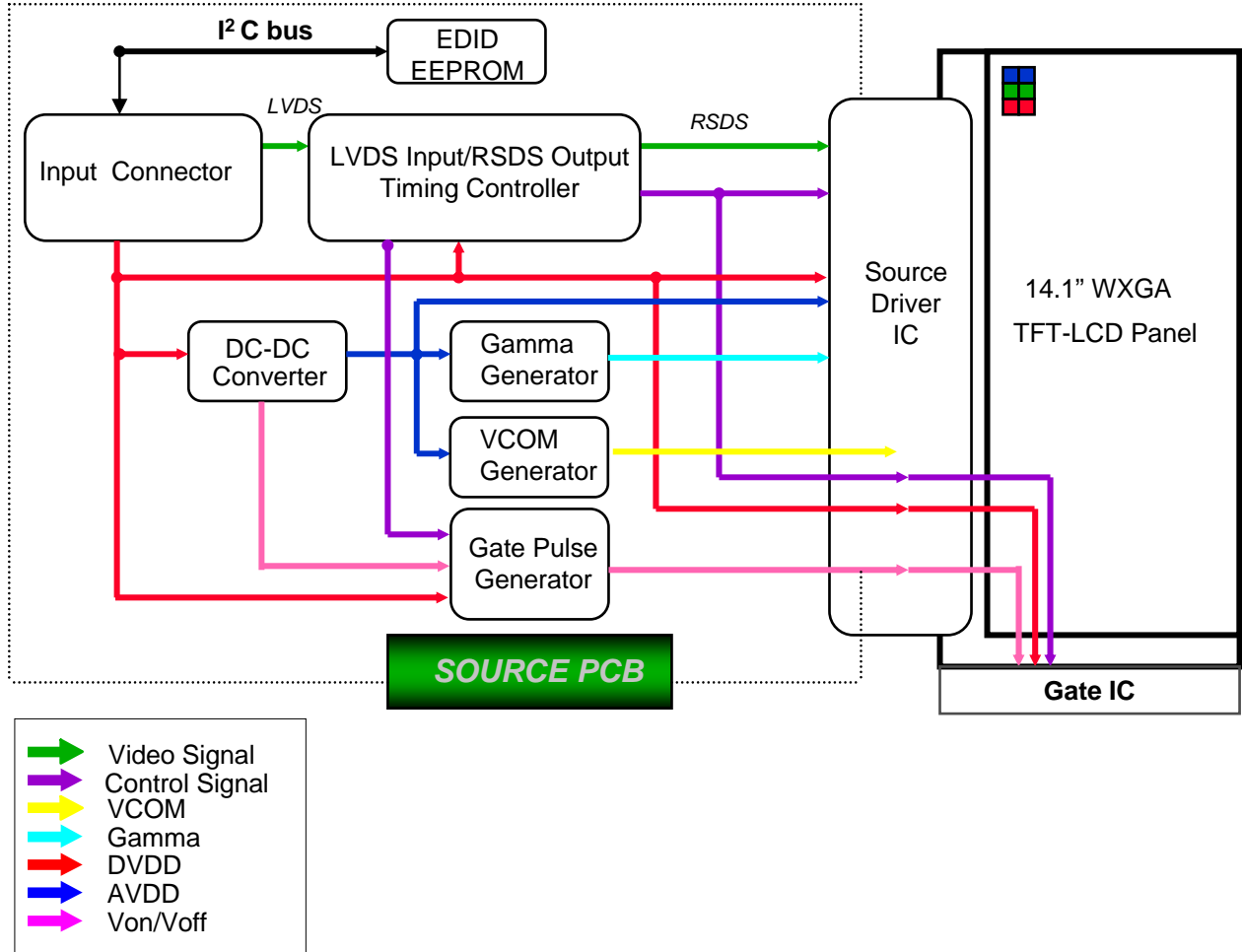
4. Lamp life time reduction

. Lamp life time can be shortened under the usage of low temperature or lower duty ratio for a long time.

Samsung Secret

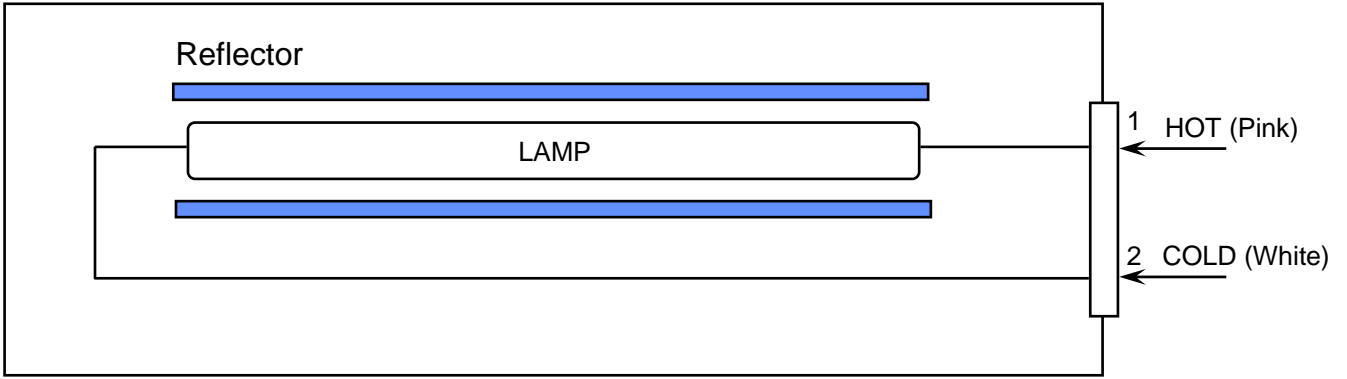
4. BLOCK DIAGRAM

4.1 TFT LCD Module



Samsung Secret

4.2 BACKLIGHT UNIT

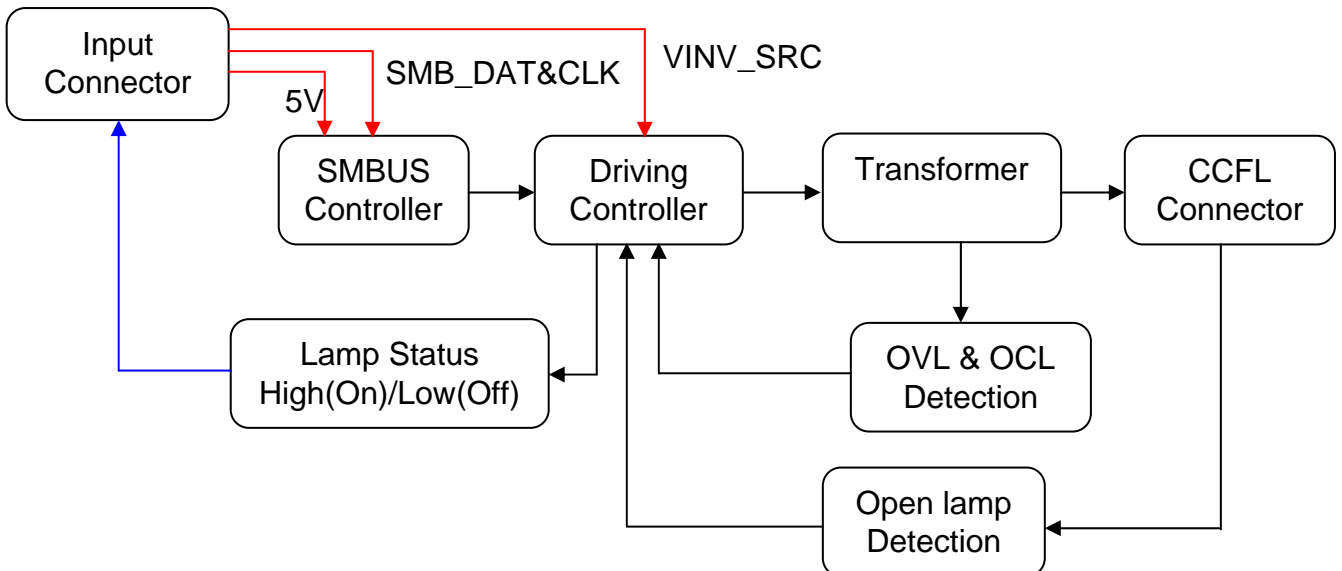


Note) The output of the inverter may change according to the material of the reflector.

4.3 Inverter UNIT

Input Connector : Honda, LVC-D20SFYG

Lamp Connector : JST, SM02B-BHSS-1-TB



Samsung Secret

5. INPUT TERMINAL PIN ASSIGNMENT

5.1. Input Signal & Power (LVDS, Connector : JAE FI-XB30SRLZ-HF11 or compatible)
Mating Connector : JAE FI-X30M or compatible)

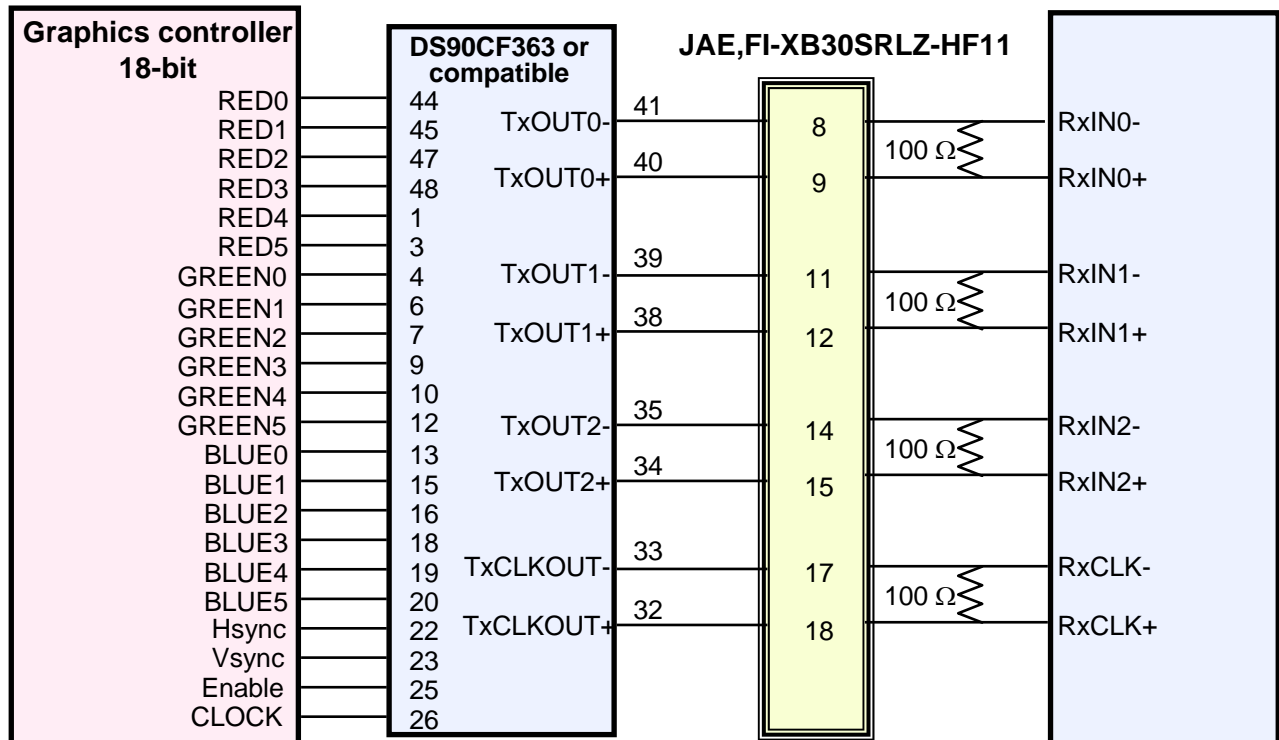
No.	Symbol	Function	Polarity	Remarks
1	VSS	Ground		
2	VDD	POWER SUPPLY +3.3V		
3	VDD	POWER SUPPLY +3.3V		
4	VEEDID	DDC 3.3V Power		
5	BIST	Panel BIST enable		
6	CLKEDID	DDC Clock		
7	DATAEDID	DDC data		
8	RxIN0-	LVDS Differential Data INPUT (R0-R5,G0)	Negative	
9	RxIN0+	LVDS Differential Data INPUT (R0-R5,G0)	Positive	
10	GND	Ground		
11	RxIN1-	LVDS Differential Data INPUT (G1-G5,B0-B1)	Negative	
12	RxIN1+	LVDS Differential Data INPUT (G1-G5,B0-B1)	Positive	
13	GND	Ground		
14	RxIN2-	LVDS Differential Data INPUT (B2-B5,Sync,DE)	Negative	
15	RxIN2+	LVDS Differential Data INPUT (B2-B5,Sync,DE)	Positive	
16	Vss	Ground		
17	ClkIN-	LVDS Differential Clock INPUT	Negative	
18	ClkIN+	LVDS Differential Clock INPUT	Positive	
19	Vss	Ground		
20	NC	No connect		
21	NC	No connect		
22	NC	No connect		
23	NC	No connect		
24	NC	No connect		
25	NC	No connect		
26	NC	No connect		
27	NC	No connect		
28	NC	No connect		
29	NC	No connect		
30	NC	No connect		

Samsung Secret

5.2 LVDS Interface : Transmitter DS90CF363 or Compatible

LVDS

Pin No.	Name	RGB Signal	Pin No.	Name	RGB Signal
44	TxIN0	RO0	12	TxIN11	GO5
45	TxIN1	RO1	13	TxIN12	BO0
47	TxIN2	RO2	15	TxIN13	BO1
48	TxIN3	RO3	16	TxIN14	BO2
1	TxIN4	RO4	18	TxIN15	BO3
3	TxIN5	RO5	19	TxIN16	BO4
4	TxIN6	GO0	20	TxIN17	BO5
6	TxIN7	GO1	22	TxIN18	Hsync
7	TxIN8	GO2	23	TxIN19	Vsync
9	TxIN9	GO3	25	TxIN20	DE
10	TxIN10	GO4	26	TxCLK IN	Clock

LVDS Interface

Note : The LCD Module uses a 100ohm resistor between positive and negative lines of each receiver input.

Samsung Secret

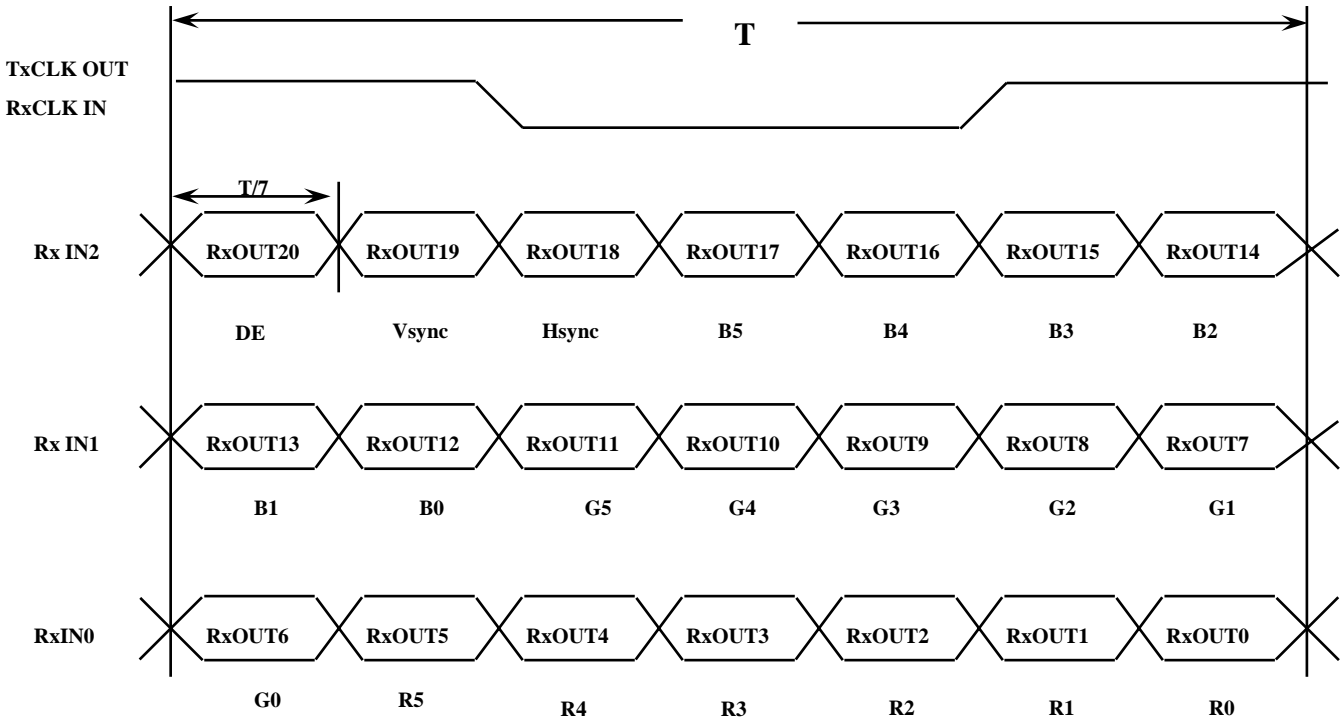
5.3 BACK LIGHT UNIT

Connector : JST BHSR - 02VS -1
Mating Connector : SM02B-BHSS-1(JST)

Pin NO.	Symbol	Color	Function
1	HOT	Pink	High Voltage
2	COLD	White	Low Voltage

5.4 Timing Diagrams of LVDS For Transmission

LVDS Receiver : Integrated T-CON



Samsung Secret

5.5 Input Signals, Basic Display Colors and Gray Scale of Each Color

Color	Display	Data Signal																Gray Scale Level	
		Red					Green					Blue							
		R0	R1	R2	R3	R4	R5	G0	G1	G2	G3	G4	G5	B0	B1	B2	B3		45
Basic Colors	Black	0	0	0	0	0	0	0	0	0	0	0	0	0	0	0	0	0	-
	Blue	0	0	0	0	0	0	0	0	0	0	0	0	1	1	1	1	1	-
	Green	0	0	0	0	0	0	1	1	1	1	1	1	0	0	0	0	0	-
	Cyan	0	0	0	0	0	0	1	1	1	1	1	1	1	1	1	1	1	-
	Red	1	1	1	1	1	1	0	0	0	0	0	0	0	0	0	0	0	-
	Magenta	1	1	1	1	1	1	0	0	0	0	0	0	1	1	1	1	1	-
	Yellow	1	1	1	1	1	1	1	1	1	1	1	1	0	0	0	0	0	-
	White	1	1	1	1	1	1	1	1	1	1	1	1	1	1	1	1	1	-
Gray Scale Of Red	Black	0	0	0	0	0	0	0	0	0	0	0	0	0	0	0	0	0	R0
	Dark	1	0	0	0	0	0	0	0	0	0	0	0	0	0	0	0	0	R1
	↑	0	1	0	0	0	0	0	0	0	0	0	0	0	0	0	0	0	R3~R60
	:	:	:	:	:	:	:	:	:	:	:	:	:	:	:	:	:	:	
	↓	1	0	1	1	1	1	0	0	0	0	0	0	0	0	0	0	0	R61
	Light	0	1	1	1	1	1	0	0	0	0	0	0	0	0	0	0	0	R62
	Red	1	1	1	1	1	1	0	0	0	0	0	0	0	0	0	0	0	R63
	Black	0	0	0	0	0	0	0	0	0	0	0	0	0	0	0	0	0	G0
Gray Scale Of Green	Dark	0	0	0	0	0	0	1	0	0	0	0	0	0	0	0	0	0	G1
	↑	0	0	0	0	0	0	0	1	0	0	0	0	0	0	0	0	0	G2
	:	:	:	:	:	:	:	:	:	:	:	:	:	:	:	:	:	:	G3~G60
	↓	0	0	0	0	0	0	1	0	1	1	1	1	0	0	0	0	0	
	Light	0	0	0	0	0	0	0	1	1	1	1	1	0	0	0	0	0	G62
	Green	0	0	0	0	0	0	1	1	1	1	1	1	0	0	0	0	0	G63
	Black	0	0	0	0	0	0	0	0	0	0	0	0	0	0	0	0	0	B0
	Gray Scale Of Blue	Dark	0	0	0	0	0	0	0	0	0	0	0	0	1	0	0	0	0
↑		0	0	0	0	0	0	0	0	0	0	0	0	0	1	0	0	0	B2
:		:	:	:	:	:	:	:	:	:	:	:	:	:	:	:	:	:	B3~B60
↓		0	0	0	0	0	0	0	0	0	0	0	0	1	0	1	1	1	
Light		0	0	0	0	0	0	0	0	0	0	0	0	0	1	1	1	1	B62
Blue		0	0	0	0	0	0	0	0	0	0	0	0	1	1	1	1	1	B63

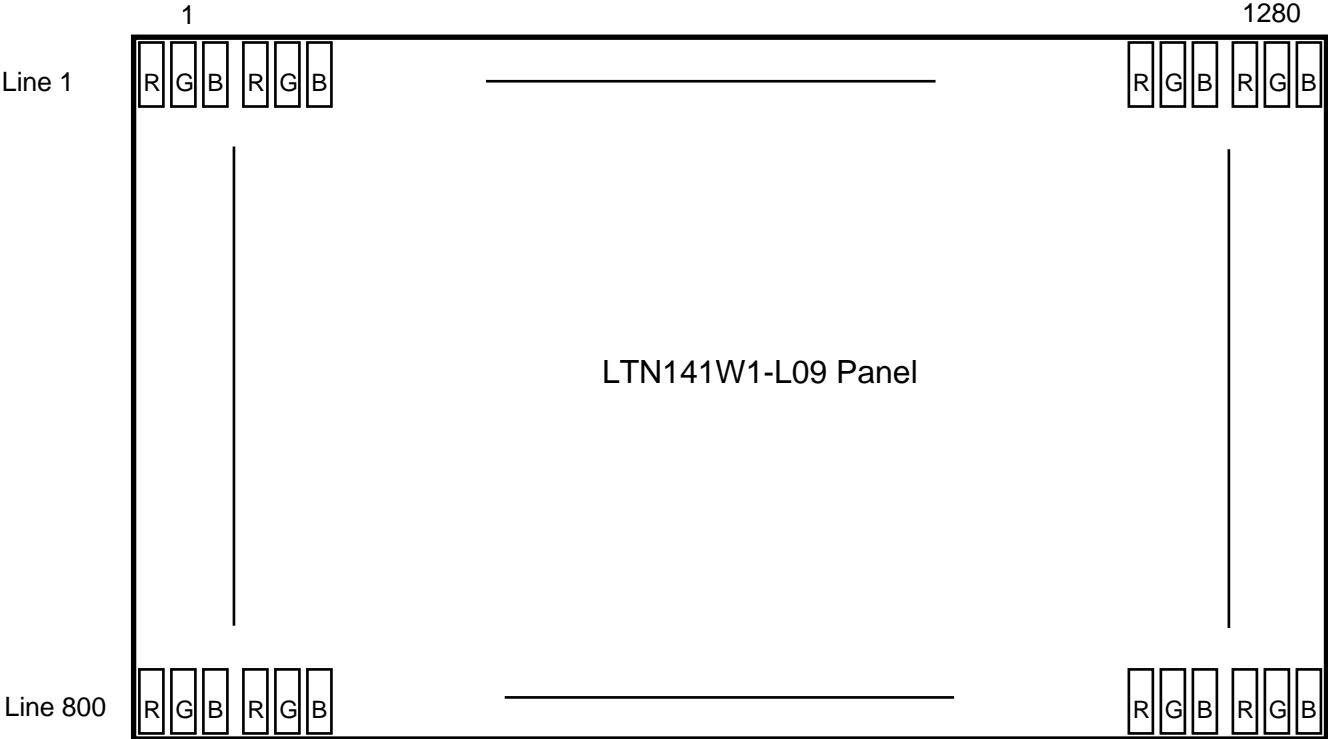
Note 1) Definition of gray :

Rn: Red gray, Gn: Green gray, Bn: Blue gray (n=gray level)

Note 2) Input signal: 0 =Low level voltage, 1=High level voltage

Samsung Secret

5.6 Pixel Format in the display



Samsung Secret

5.7 Inverter signals & power

Inverter Connector : Honda, LVC-D20SFYG

Pin No.	Symbol	Voltage	Comments
1	INV_SRC	7.5V to 21V	This power rail should be used as a power rail to drive the back-light DC-AC converter.
2	INV_SRC	7.5V to 21V	This power rail should be used as a power rail to drive the back-light DC-AC converter.
3	INV_SRC	7.5V to 21V	This power rail should be used as a power rail to drive the back-light DC-AC converter.
4	INV_SRC	7.5V to 21V	This power rail should be used as a power rail to drive the back-light DC-AC converter.
5	GND	0V	Ground
6	NC	-	No Connection
7	5VALW	5V	This should be used as power source that stores the brightness/contrast values & the circuit that interfaces with SMB_CLK & SMB_DAT.
8	GND	0V	Ground
9	SMB_DAT	-	SMBUS interface for sending brightness & contrast information to the inverter/panel
10	SMB_CLK	-	SMBUS interface for sending brightness & contrast information to the inverter/panel
11	GND	0V	Ground
12	INV_PWM	-	System side PWM input signal for brightness control
13	GND	0V	Ground
14	NC	-	No Connection
15	DIAG_LOOP	TBD	Diag pin for Dell testing
16	NC	-	No Connection
17	5VALW	5V	This should be used as power source that stores the brightness/contrast values & the circuit that interfaces with SMB_CLK & SMB_DAT.
18	5VALW	5V	This should be used as power source that stores the brightness/contrast values & the circuit that interfaces with SMB_CLK & SMB_DAT.
19	NC	-	No Connection
20	DIAG_LOOP	TBD	Diag pin for Dell testing

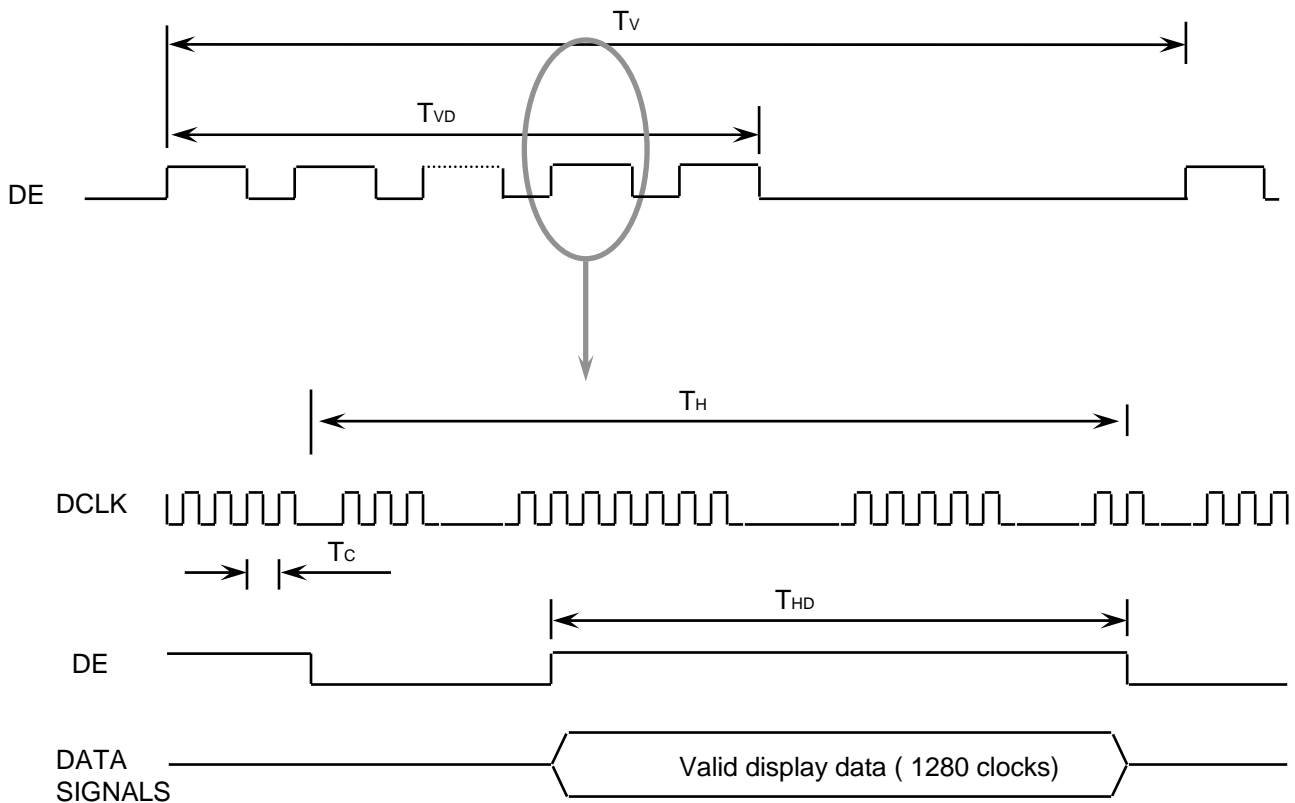
Samsung Secret

6. INTERFACE TIMING

6.1 Timing Parameters

Signal	Item	Symbol	Min.	Typ.	Max.	Unit	Note
Frame Frequency	Cycle	T_V	806	816	833	Lines	
Vertical Active Display Term	Display Period	T_{VD}	-	800	-	Lines	
One Line Scanning Time	Cycle	T_H	1320	1408	1500	Clocks	
Horizontal Active Display Term	Display Period	T_{HD}	-	1280	-	Clocks	

6.2 Timing diagrams of interface signal

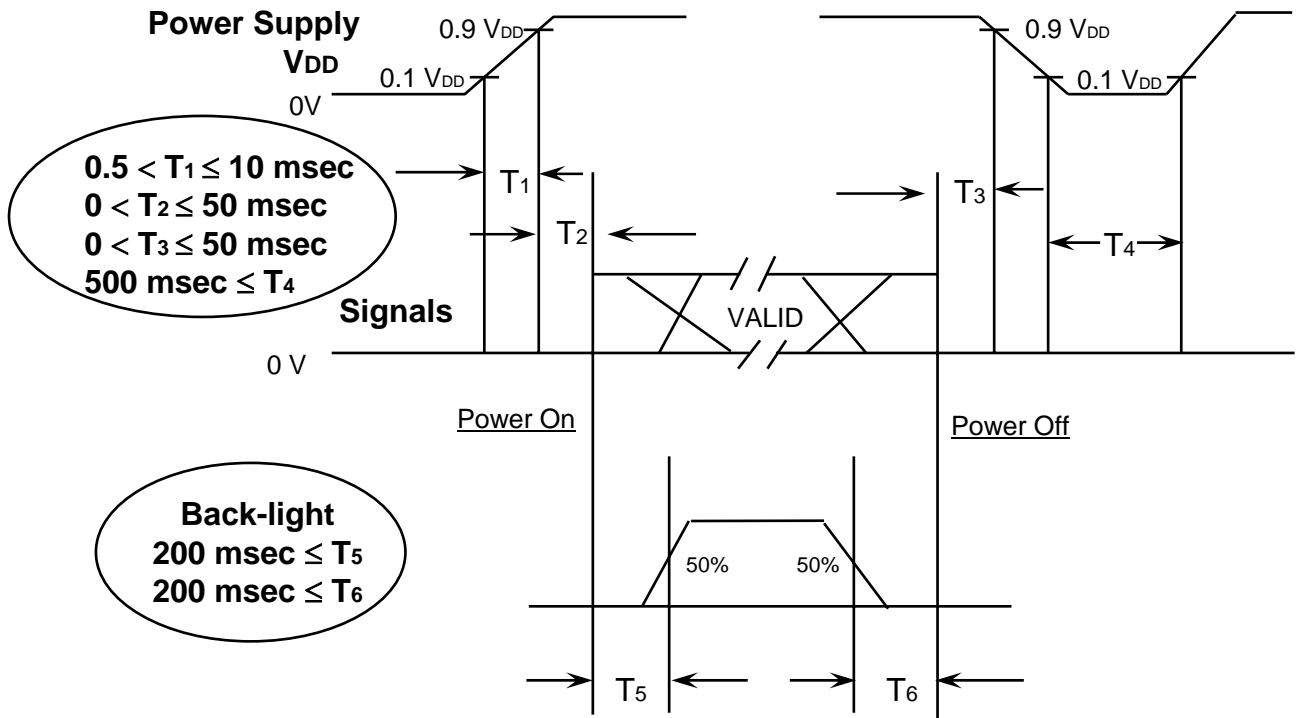


Samsung Secret

6.3 Power ON/OFF Sequence

Approval

: To prevent a latch-up or DC operation of the LCD module, the power on/off sequence should be as the diagram below.



Power ON/OFF Sequence

- T1 : Vdd rising time from 10% to 90%
- T2 : The time from Vdd to valid data at power ON.
- T3 : The time from valid data off to Vdd off at power Off.
- T4 : Vdd off time for Windows restart
- T5 : The time from valid data to B/L enable at power ON.
- T6 : The time from valid data off to B/L disable at power Off.

NOTE.

- (1) The supply voltage of the external system for the module input should be the same as the definition of VDD.
- (2) Apply the lamp voltage within the LCD operation range. When the back-light turns on before the LCD operation or the LCD turns off before the back-light turns off, the display may momentarily become white.
- (3) In case of VDD = off level, please keep the level of input signals on the low or keep a high impedance.
- (4) T4 should be measured after the module has been fully discharged between power off and on period.
- (5) Interface signal shall not be kept at high impedance when the power is on.

Samsung Secret

7. Mechanical Outline Dimension

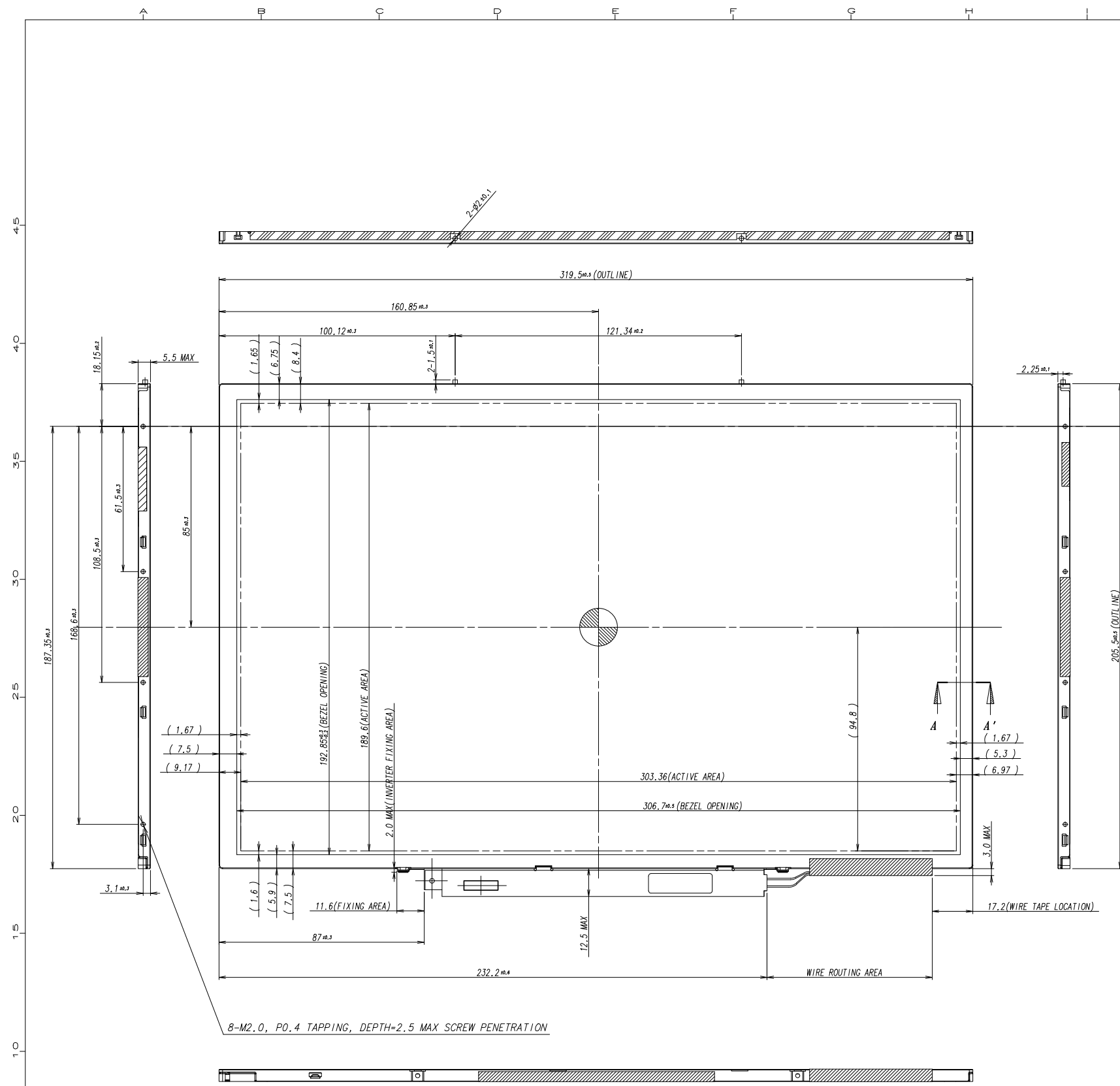
Approval

It will be attached with PDF file

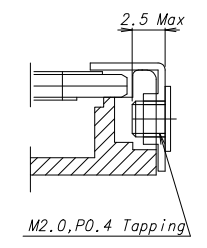
Samsung Secret

Doc.No.	LTN141W1-L09	Rev.No	04-A02-S-070709	Page	24 / 32
----------------	--------------	---------------	-----------------	-------------	---------

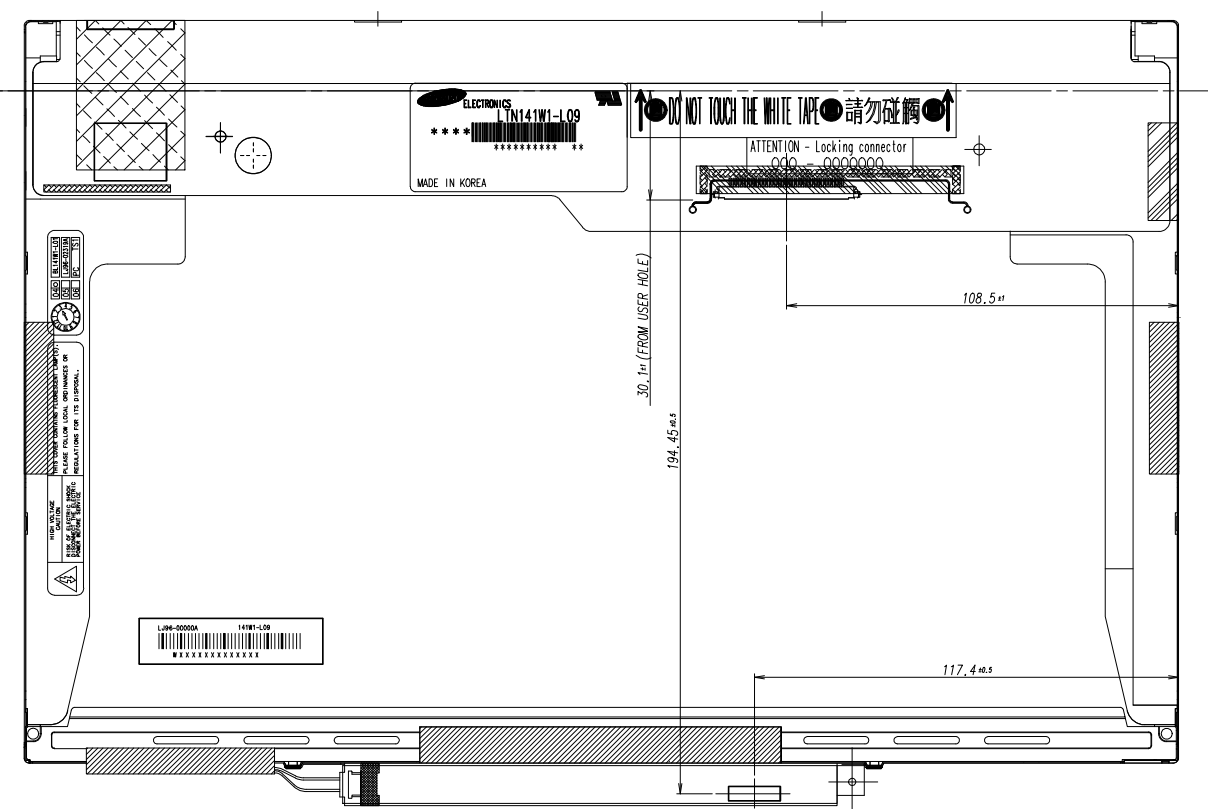
NO	PART NAME	CODE NO	SPECIFICATION	Q'TY	WEIGHT FINISH	UNFOLDED DIM. OF MATERIAL	REMARK
1	LTN141W1-L09	-		1EA			



SCREW PENETRATION DEPTH



SECTION A-A' (S=5/1)



* NOTE

- INPUT SIGNAL INTERFACE CONNECTOR TO BE SPECIFIED AS BELOW.
- PART NO./MAKER : FI-XB30SLRZ-HF11/JAE (or compatible)
- INPUT MATING SIGNAL INTERFACE CONNECTOR TO BE SPECIFIED AS BELOW.
- PART NO./MAKER : FI-X30M/JAE (or compatible)
- INVERTER CONNECTOR FOR BACKLIGHT TO BE SPECIFIED AS BELOW.
- PART NO./MAKER : LVC-D20SYFG/HONDA (or compatible)
- CALIFERS MEASURING FORCE : 530 ± 150 gf
- USER HOLE TORQUE SPEC : 3.0Kgfcm MAX (5 TIMES)
- WEIGHT SPEC : 440g MAX

REVISION

GENERAL TOLERANCE				REV	DATE	DESCRIPTION OF REVISION			REASON	CHG'D BY
STEP	LEVEL 1	LEVEL 2	LEVEL 3	UNIT	mm	DRA'N BY	DES'D BY	CHK'D BY	APP'D BY	MODEL NAME
0 < X ≤ 4	±0.05	±0.1	±0.2	SCALE	1/1	Y.K.KIM		Y.J.LEE	D.C.YANG	LTN141W1-L09
4 < X ≤ 16	±0.08	±0.15	±0.3	TOLERANCE		05.07.04		05.07.04	05.07.04	PART/SHEET NAME
16 < X ≤ 64	±0.12	±0.25	±0.5	LEVEL2						Outline-Dimension
64 < X ≤ 256	±0.25	±0.4	±0.8							SHEET 1/1
				SAMSUNG ELECTRONICS			SPEC. NO			VER. 000
							CODE NO.			

8. PACKING

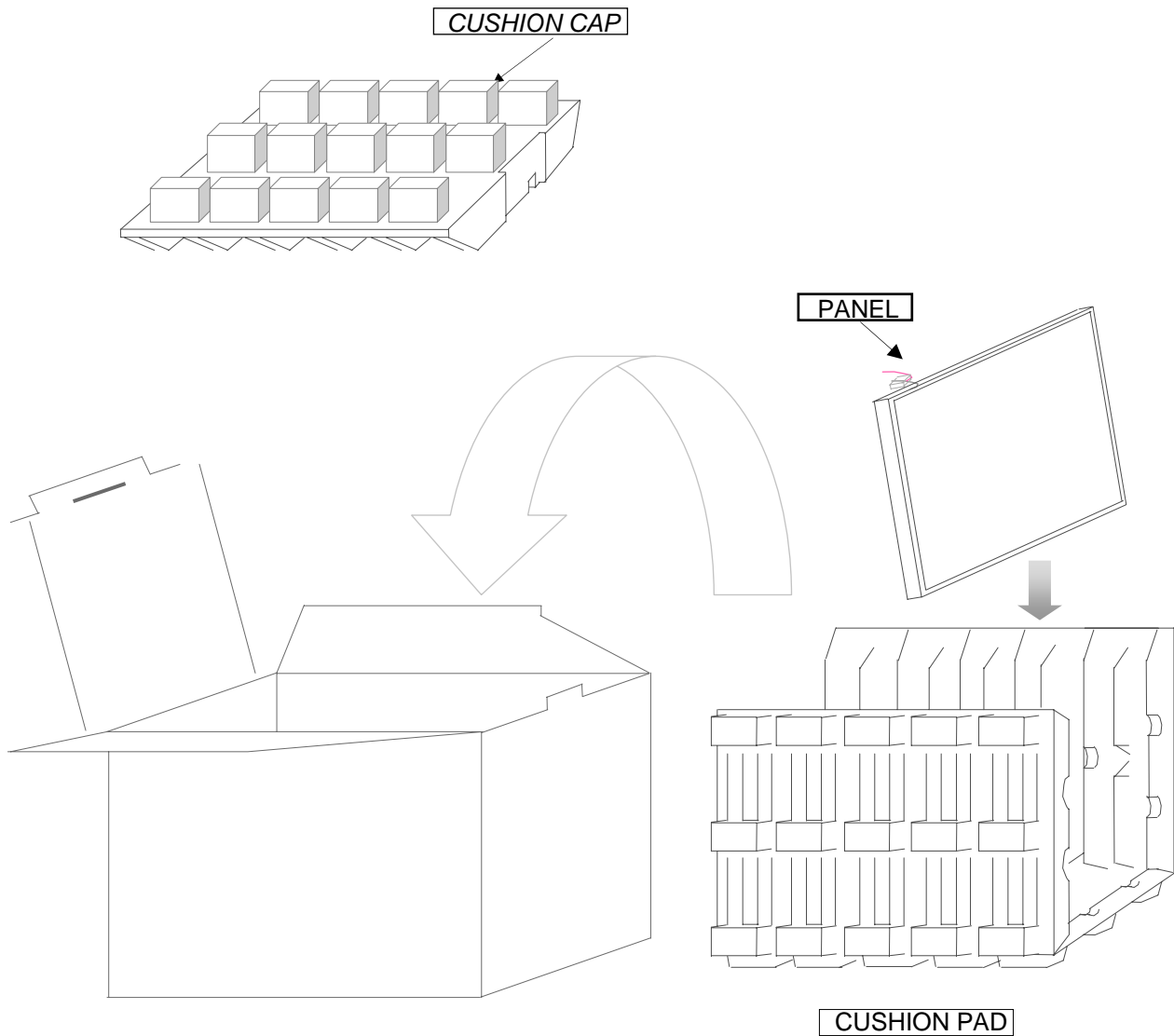
Approval

1. CARTON(Internal Package)

(1) Packing Form

Corrugated Cardboard box and Corrupad form as shock absorber

(2) Packing Method



Note 1) Total Weight : Approximately 5.5 kg

2) Acceptance number of piling : 10 sets

3) Carton size : 408(W) * 325(D) * 294(H)

Samsung Secret

Doc.No.

LTN141W1-L09

Rev.No

04-A02-S-070709

Page

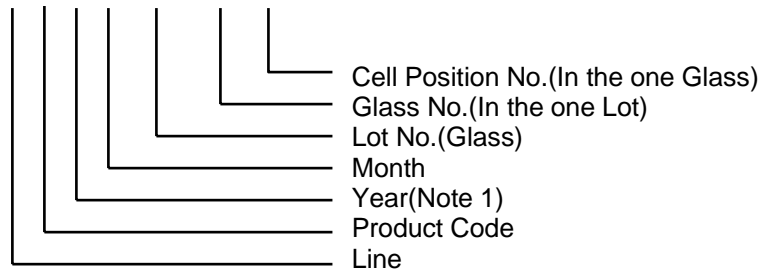
25 / 32

No	Part name	Quantity
1	Static electric protective sack	10
2	Packing case (Inner box) included shock absorber	1 set
3	Pictorial marking	2 pcs
4	Carton	1 set

9. MARKINGS & OTHERS

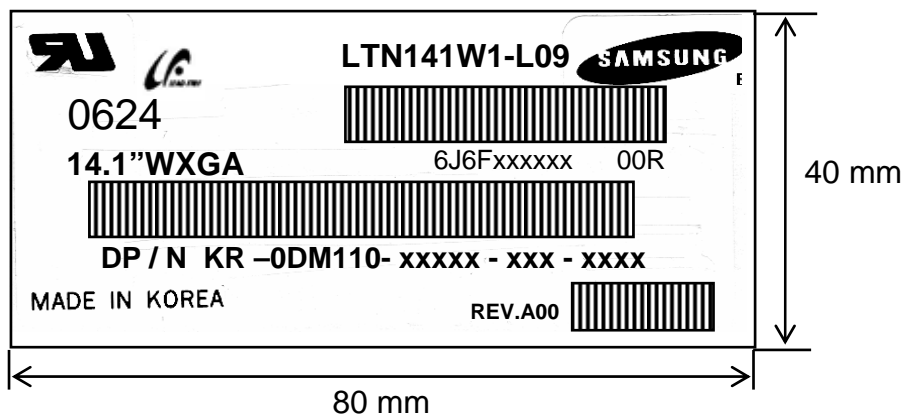
A nameplate bearing followed by is affixed to a shipped product at the specified location on each product.

- (1) Parts number : LTN141W1-L09
- (2) Revision : Three letters
- (3) Lot number : 6 J 6 F XXX XX X



NOTE 1). This code indicating year is omitted in the products of KIHENG site.

(4) Nameplate Indication

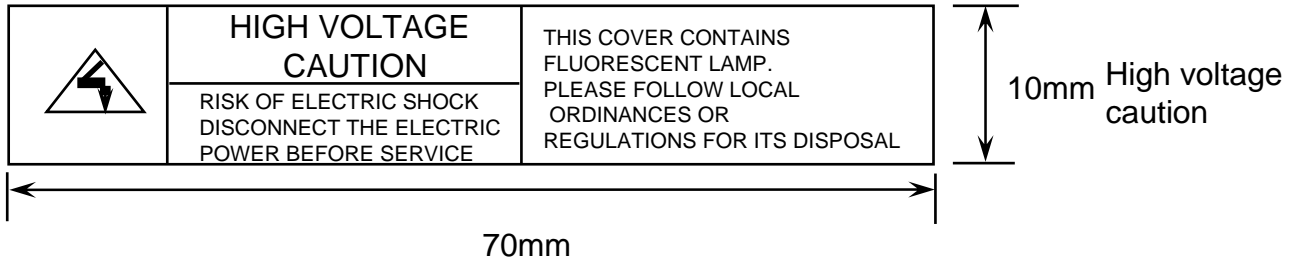


Parts name : LTN141W1-L09
 Lot number : 6J6Fxxxxxx
 Inspected work week : 0624
 DP/N : Dell Part Number ("DM110" is for 141W1-L09-1)
 REV.xxx : Product Revision Code

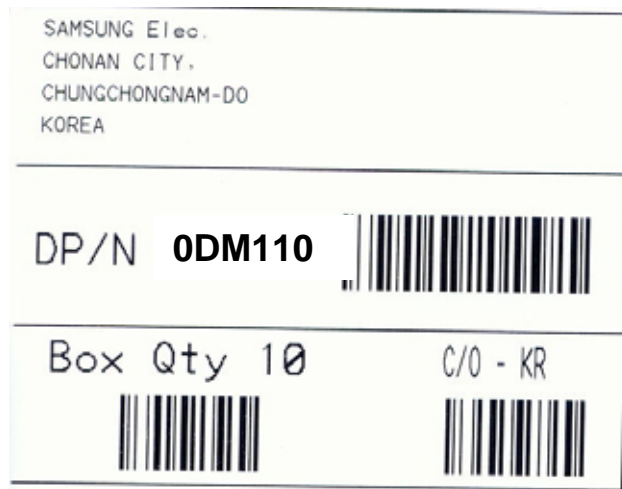
Samsung Secret

Approval

This HIGH VOLTAGE CAUTION is carved in mold frame



(6) Packing box attach



(7) Packing box Marking : Samsung TFT-LCD Brand Name



Samsung Secret

Doc.No.

LTN141W1-L09

Rev.No

04-A02-S-070709

Page

27 / 32

10. GENERAL PRECAUTIONS

Approval

1. Handling

- (a) When the module is assembled, It should be attached to the system firmly using every mounting holes. Be careful not to twist and bend the modules.
- (b) Refrain from strong mechanical shock and / or any force to the module. In addition to damage, this may cause improper operation or damage to the module and CCFT back-light.
- (c) Note that polarizers are very fragile and could be easily damaged. Do not press or scratch the surface harder than a HB pencil lead.
- (d) Wipe off water droplets or oil immediately. If you leave the droplets for a long time, Staining and discoloration may occur.
- (e) If the surface of the polarizer is dirty, clean it using some absorbent cotton or soft cloth.
- (f) The desirable cleaners are water, IPA (Isoprophyl Alcohol) or Hexane. Do not use Ketone type materials(ex. Acetone), Ethyl alcohol, Toluene, Ethyl acid or Methyl chloride. It might permanent damage to the polarizer due to chemical reaction.
- (g) If the liquid crystal material leaks from the panel, it should be kept away from the eyes or mouth. In case of contact with hands, legs or clothes, it must be washed away thoroughly with soap.
- (h) Protect the module from static, it may cause damage to the C-MOS Gate Array IC.
- (i) Use fingerstalls with soft gloves in order to keep display clean during the incoming inspection and assembly process.
- (j) Do not disassemble the module.
- (k) Do not pull or fold the lamp wire.
- (l) Do not adjust the variable resistor which is located on the back side.
- (m) Protection film for polarizer on the module shall be slowly peeled off just before use so that the electrostatic charge can be minimized.
- (n) Pins of I/F connector shall not be touched directly with bare hands.

Samsung Secret

Doc.No.	LTN141W1-L09	Rev.No	04-A02-S-070709	Page	28 / 32
----------------	--------------	---------------	-----------------	-------------	---------

2. STORAGE

- (a) Do not leave the module in high temperature, and high humidity for a long time.
It is highly recommended to store the module with temperature from 0 to 35 °C and relative humidity of less than 70%.
- (b) Do not store the TFT-LCD module in direct sunlight.
- (c) The module shall be stored in a dark place. It is prohibited to apply sunlight or fluorescent light during the store.

3. OPERATION

- (a) Do not connect, disconnect the module in the “ Power On” condition.
- (b) Power supply should always be turned on/off by following item 6.3
“ Power on/off sequence “.
- (c) Module has high frequency circuits. Sufficient suppression to the electromagnetic interference shall be done by system manufacturers. Grounding and shielding methods may be important to minimize the interference.
- (d) The cable between the back-light connector and its inverter power supply shall be a minimized length and be connected directly . The longer cable between the back-light and the inverter may cause lower luminance of lamp(CCFT) and may require higher startup voltage (Vs).
- (e) The standard limited warranty is only applicable when the module is used for general notebook applications. If used for purposes other than as specified, SEC is not to be held reliable for the defective operations. It is strongly recommended to contact SEC to find out fitness for a particular purpose.

4. OTHERS

- (a) Ultra-violet ray filter is necessary for outdoor operation.
- (b) Avoid condensation of water. It may result in improper operation or disconnection of electrode.
- (c) Do not exceed the absolute maximum rating value. (the supply voltage variation, input voltage variation, variation in part contents and environmental temperature, so on)
Otherwise the module may be damaged.
- (d) If the module displays the same pattern continuously for a long period of time, it can be the situation when the image “sticks” to the screen.
- (e) This module has its circuitry PCB's on the rear side and should be handled carefully in order not to be stressed.

Samsung Secret

	Byte	Field Name and Comments	Value
	(hex)		(hex)
Header	0	Header	00
	1	Header	FF
	2	Header	FF
	3	Header	FF
	4	Header	FF
	5	Header	FF
	6	Header	FF
	7	Header	00
Vendor / Product EDID Version	8	EISA manufacture code = 3 Character ID	4C
	9	EISA manufacture code (Compressed ASCII)	A3
	0A	Panel Supplier Reserved – Product Code	57
	0B	Panel Supplier Reserved – Product Code	31
	0C	LCD module Serial No - Preferred but Optional (“0” if not used)	00
	0D	LCD module Serial No - Preferred but Optional (“0” if not used)	00
	0E	LCD module Serial No - Preferred but Optional (“0” if not used)	00
	0F	LCD module Serial No - Preferred but Optional (“0” if not used)	00
	10	Week of manufacture	00
	11	Year of manufacture	11
	12	EDID structure version # = 1	01
	13	EDID revision # = 3	03
Display Parameters	14	Video I/P definition = Digital I/P (80h)	80
	15	Max H image size = (Rounded to cm)	1E
	16	Max V image size = (Rounded to cm)	13
	17	Display gamma = (gamma × 100) - 100 = Example: (2.2 × 100) – 100 = 120	78
	18	Feature support (no DPMS, Active off, RGB, timing BLK 1)	0A
Panel Color Coordinates	19	Red/Green Low bit (RxRy/GxGy)	87
	1A	Blue/White Low bit (BxBy/WxWy)	F5
	1B	Red X Rx = 0.xxx	94
	1C	Red Y Ry = 0.xxx	57
	1D	Green X Gx = 0.xxx	4F
	1E	Green Y Gy = 0.xxx	8C
	1F	Blue X Bx = 0.xxx	27
	20	Blue Y By = 0.xxx	27
	21	White X Wx = 0.xxx	50
	22	White Y Wy = 0.xxx	54
Established Timings	23	Established timings 1 (00h if not used)	00
	24	Established timings 2 (00h if not used)	00
	25	Manufacturer's timings (00h if not used)	00

Samsung Secret

Standard Timing ID	26	Standard timing ID1 (01h if not used)	01
	27	Standard timing ID1 (01h if not used)	01
	28	Standard timing ID2 (01h if not used)	01
	29	Standard timing ID2 (01h if not used)	01
	2A	Standard timing ID3 (01h if not used)	01
	2B	Standard timing ID3 (01h if not used)	01
	2C	Standard timing ID4 (01h if not used)	01
	2D	Standard timing ID4 (01h if not used)	01
	2E	Standard timing ID5 (01h if not used)	01
	2F	Standard timing ID5 (01h if not used)	01
	30	Standard timing ID6 (01h if not used)	01
	31	Standard timing ID6 (01h if not used)	01
	32	Standard timing ID7 (01h if not used)	01
	33	Standard timing ID7 (01h if not used)	01
	34	Standard timing ID8 (01h if not used)	01
35	Standard timing ID8 (01h if not used)	01	
Timing Descriptor #1	36	Pixel Clock/10,000 (LSB)	D6
	37	Pixel Clock/10,000 (MSB)	1B
	38	Horizontal Active = xxxx pixels (lower 8 bits)	00
	39	Horizontal Blanking (Thbp) = xxxx pixels (lower 8 bits)	B0
	3A	Horizontal Active/Horizontal blanking (Thbp) (upper4:4 bits)	50
	3B	Vertical Active = xxx lines	20
	3C	Vertical Blanking (Tvbp) = xxx lines (DE Blanking typ. for DE only panels)	10
	3D	Vertical Active : Vertical Blanking (Tvbp) (upper4:4 bits)	30
	3E	Horizontal Sync, Offset (Thfp) = xxxx pixels	0C
	3F	Horizontal Sync, Pulse Width = xxxx pixels	40
	40	Vertical Sync, Offset (Tvfp) = xx lines Sync Width = xx lines	33
	41	Horizontal Vertical Sync Offset/Width upper 2 bits	00
	42	Horizontal Image Size =xxx mm	2F
	43	Vertical image Size = xxx mm	BE
	44	Horizontal Image Size / Vertical image size	10
	45	Horizontal Border = 0 (Zero for Notebook LCD)	00
	46	Vertical Border = 0 (Zero for Notebook LCD)	00
	47	Non-interlaced, Normal, no stereo, Separate sync, H/V pol Negatives, DE only note: LSB is set to "1" if panel is DE-timing only. H/V can be ignored.	19
	Timing Descriptor #2	48	
49			00
4A		Manufacturer Specified (Timing)	00
4B			0F
4C			00
4D		Value=HSPWmin / 2	00
4E		Value=HSPWmax / 2	00
4F		Value=Thbpmin / 2	00
50		Value=Thbpmax / 2	00
51		Value=VSPWmin / 2	00
52		Value=VSPWmax / 2	00
53		Value=Tvbpmin / 2	00
54		Value=Tvbpmax / 2	00
55		Thpmin=value*2 + Hapixelclks	23
56	Thpmax=value*2 + Hapixelclks	87	
57	Tvpmin=value*2 + Valines	02	
58	Tvpmax=value*2 + Valines	64	
59	Module "A" Revision = Example: 00, 01, 02, 03, etc.	00	

Samsung Secret

Timing Descriptor #3 Dell specific information	5A	Flag	00
	5B	Flag	00
	5C	Flag	00
	5D	Dummy Descriptor	FE
	5E	Flag	00
	5F	Dell P/N 1 st Character	44
	60	Dell P/N 2 nd Character	4D
	61	Dell P/N 3 rd Character	31
	62	Dell P/N 4 th Character	31
	63	Dell P/N 5 th Character	30
	64	LCD Supplier EEDID Revision #	03
	65	Manufacturer P/N	31
	66	Manufacturer P/N	34
	67	Manufacturer P/N	31
	68	Manufacturer P/N	57
	69	Manufacturer P/N	31
	Timing Descriptor #4	6A	Manufacturer P/N
6B		Manufacturer P/N (If <13 char, then terminate with ASCII code 0Ah, set remaining char = 20h)	20
6C		Flag	00
6D		Flag	00
6E		Flag	00
6F		Data Type Tag:	FE
70		Flag	00
71		SMBUS Value = XX nits	19
72		SMBUS Value = XX nits	23
73		SMBUS Value = XX nits	2D
74		SMBUS Value = XX nits	35
75		SMBUS Value = XX nits	4A
76		SMBUS Value = XXX nits	66
77		SMBUS Value = XXX nits	8C
78		SMBUS Value = max nits (Typically = 00h, XXX nits)	DC
79		Number of LVDS receiver chips = '01' or '02'	01
Checksum		7A	BIST Enable: Yes = '01' No = '00'
	7B	(If <13 char, then terminate with ASCII code 0Ah, set remaining char = 20h)	0A
	7C	(If <13 char, then terminate with ASCII code 0Ah, set remaining char = 20h)	20
	7D	(If <13 char, then terminate with ASCII code 0Ah, set remaining char = 20h)	20
	7E	Extension flag (# of optional 128 EDID extension blocks to follow, Typ = 0)	00
	7F	Checksum (The 1-byte sum of all 128 bytes in this EDID block shall = 0)	92

Samsung Secret