



深圳锐朗光电有限公司

SAMSUNG

LTN141WD-L07

TEL: 0755-29555810    0755-36926300

FAX: 0755-29555810

E-mail: fpd31@163.com    zhoufeng.419@163.com

Website: <http://www.rlofpd.com>

ADD: 深圳市龙华街道梅龙路梅龙苑1单元1201

**SAMSUNG**

**ELECTRONICS**

Preliminary



TO : Dell / Asustek

DATE : Jan, 15. 2007

**SAMSUNG TFT-LCD**

**MODEL NO. : LTN141WD-L07**

NOTE :

- Extension code [ -G ] ; LTN141WD-L07-G
- Surface type [ **Glare** ]

*Any Modification of Specification is not allowed without SEC's Permission.*

APPROVED BY :

*K. H. Shin*

PREPARED BY : LCD Product Planning Group 1, Marketing Team

**SAMSUNG ELECTRONICS CO., LTD.**



**Samsung Secret**

Doc.No.	LTN141WD-L07	Rev.No	04-P01-S-070115	Page	1 / 33
---------	--------------	--------	-----------------	------	--------

## CONTENTS

Revision History	----- ( 3 )
General Description	----- ( 4 )
1. Absolute Maximum Ratings	----- ( 5 )
1.1 Absolute Ratings of environment	
1.2 Electrical Absolute Ratings	
2. Optical Characteristics	----- ( 7 )
3. Electrical Characteristics	----- ( 10 )
3.1 TFT LCD Module	
3.2 Backlight Unit	
3.3 Inverter	
4. Block Diagram	----- ( 14 )
4.1 TFT LCD Module	
4.2 Backlight Unit	
4.3 Inverter Unit	
5. Input Terminal Pin Assignment	----- ( 16 )
5.1 Input Signal & Power	
5.2 LVDS Interface	
5.3 Backlight Unit	
5.4 Timing Diagrams of LVDS For Transmitting	
5.5 Input Signals, Basic Display Colors and Gray Scale of Each Color.	
5.6 Pixel format	
5.7 Inverter Signals & Power	
6. Interface Timing	----- ( 23 )
6.1 Timing Parameters	
6.2 Timing Diagrams of interface Signal	
6.3 Power ON/OFF Sequence	
7. Outline Dimension	----- ( 25 )
8. Packing	----- ( 26 )
9. Markings & Others	----- ( 27 )
10. General Precaution	----- ( 29 )
11. EDID	----- ( 31 )

**REVISION HISTORY**

Preliminary

Date	Revision No.	Page	Summary
June 16, 2006	P00	All	. The preliminary specification of LTN141WD-L07 was first issued.
Jan. 15, 2007	P01	31~33	. Updated EDID data

**Samsung Secret**

## GENERAL DESCRIPTION

### DESCRIPTION

LTN141WD-L07 is a color active matrix TFT (Thin Film Transistor) liquid crystal display (LCD) that uses amorphous silicon TFT as a switching devices. This model is composed of a TFT LCD panel, a driver circuit and a backlight unit. The resolution of a 14.1" contains 1,440 x 900 pixels and can display up to 262,144 colors. 6 O'clock direction is the Optimum viewing angle.

### FEATURES

- High contrast ratio, high aperture structure
- 1440 x 900 pixels resolution
- Low power consumption
- Fast Response
- Single CCFL
- DE(Data enable) only mode
- 3.3V LVDS Interface
- Onboard EEDID chip
- Attached Burst mode Inverter with Ambient Light Sensor

### APPLICATIONS

- Notebook PC
- If the usage of this product is not for PC application, but for others, please contact SEC.

## GENERAL INFORMATION

Item	Specification	Unit	Note
Display area	303.48(H) x 189.675(V) (14.1" diagonal )	mm	
Driver element	a-Si TFT active matrix		
Display colors	262,144		
Number of pixel	1440 x RGB(3) x 900	pixel	16 : 10
Pixel arrangement	RGB vertical stripe		
Pixel pitch	0.21075(H) x 0.21075(V) (TYP.)	mm	120 PPI
Display Mode	Normally white		
Surface treatment	Haze 0, Hard-Coating 3H		

**Samsung Secret**

Mechanical Information

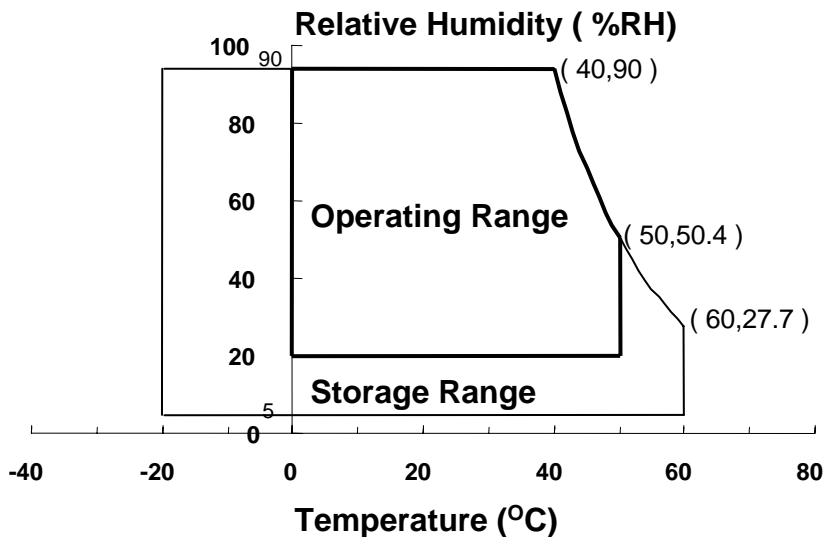
Item		Min.	Typ.	Max.	Unit	Note
Module size	Horizontal (H)	319.0	319.5	320.0	mm	w/o inverter ass'y
	Vertical (V)	205.0	205.5	206.0	mm	
	Depth (D)	-	-	5.5	mm	
Weight		-	440	455	g	w/o Inverter
		-	450	470	g	w/ Inverter assembly

# 1. ABSOLUTE MAXIMUM RATINGS

## 1.1 ENVIRONMENTAL ABSOLUTE RATINGS

Item	Symbol	Min.	Max.	Unit	Note
Storage temperate	T <sub>STG</sub>	-20	60	°C	(1)
Operating temperate (Temperature of glass surface)	T <sub>OPR</sub>	0	50	°C	(1)
Shock ( non-operating )	S <sub>NOP</sub>	-	240	G	(2),(4)
Vibration (non-operating)	V <sub>NOP</sub>	-	2.41	G	(3),(4)

Note (1) Temperature and relative humidity range are shown in the figure below.  
 95 % RH Max. (40 °C ≥ Ta)  
 Maximum wet - bulb temperature at 39 °C or less. (Ta > 40 °C ) No condensation



- (2) 2ms, half sine wave, one time for ±X, ±Y, ±Z.
- (3) 5 - 500 Hz, random vibration, 30min for X, Y, Z.
- (4) At testing Vibration and Shock, the fixture in holding the Module to be tested have to be hard and rigid enough so that the Module would not be twisted or bent by the fixture.

## 1.2 ELECTRICAL ABSOLUTE RATINGS

### (1) TFT LCD MODULE

$V_{DD} = 3.3V$ ,  $V_{SS} = GND = 0V$

Item	Symbol	Min.	Max.	Unit	Note
Power Supply Voltage	$V_{DD}$	$V_{SS} - 0.3$	3.6	V	(1)

Note (1) Within  $T_a$  ( $25 \pm 2 \text{ }^\circ\text{C}$ )

### (2) BACK-LIGHT UNIT

$T_a = 25 \pm 2 \text{ }^\circ\text{C}$

Item	Symbol	Min.	Max.	Unit	Note
Lamp Current	$I_L$	2.0	7.0	mArms	(1)
Lamp frequency	$F_L$	40	80	kHz	(1)

Note 1) Permanent damage to the device may occur if maximum values are exceeded  
 Functional operation should be restricted to the conditions described under normal operating conditions.

## 2. OPTICAL CHARACTERISTICS

The following items are measured under stable conditions. The optical characteristics should be measured in a dark room or equivalent state with the methods shown in Note (5).  
 Measuring equipment : TOPCON BM-5A and PR-650

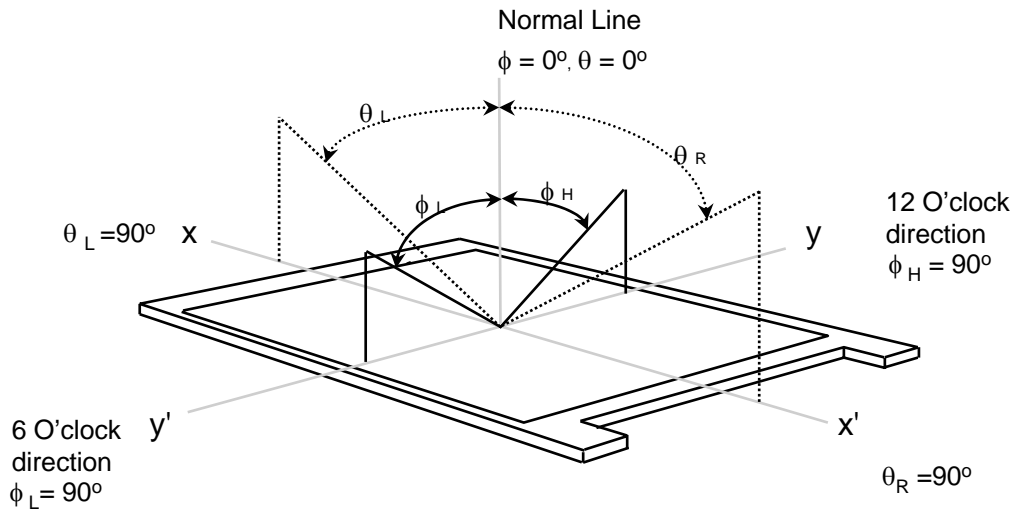
\* Ta = 25 ± 2 °C, VDD=3.3V, fv= 60Hz, fDCLK = 48.15MHz, IL = 6.0 mArms

Item	Symbol	Condition	Min.	Typ.	Max	Unit	Note
Contrast Ratio (5 Points)	CR		500	-	-	-	(1), (2), (5)
Response Time at Ta ( Rising + Falling )	T <sub>RT,BW</sub>		-	25	35	msec	(1), (3)
Average Luminance of White (5 Points)	Y <sub>L,AVE</sub>		200	220	-	cd/m <sup>2</sup>	IL=6.0mA (1), (4)
Color Chromaticity ( CIE )	Red	R <sub>X</sub>	(0.570)	(0.590)	(0.610)	-	(1), (5) PR-650
		R <sub>Y</sub>	(0.320)	(0.340)	(0.360)		
	Green	G <sub>X</sub>	(0.300)	(0.320)	(0.340)		
		G <sub>Y</sub>	(0.520)	(0.540)	(0.560)		
	Blue	B <sub>X</sub>	(0.135)	(0.155)	(0.175)		
		B <sub>Y</sub>	(0.120)	(0.140)	(0.160)		
	White	W <sub>X</sub>	(0.295)	(0.315)	(0.335)		
		W <sub>Y</sub>	(0.310)	(0.330)	(0.350)		
Color Gamut			42	45	-	%	
Viewing Angle	Hor.	θ <sub>L</sub>	40	50	-	Degrees	(1), (5) BM-5A
		θ <sub>H</sub>	40	50	-		
	Ver.	φ <sub>H</sub>	15	25	-		
		φ <sub>L</sub>	30	40	-		
	Hor.	θ <sub>L</sub>	20	25		Degrees	
		θ <sub>H</sub>	20	25			
	Ver.	φ <sub>H</sub>	5	10			
		φ <sub>L</sub>	15	20			
13 Points White Variation	δ <sub>L</sub>		-	-	2.2	-	(6)

Samsung Secret



Note 1) Definition of Viewing Angle : Viewing angle range(  $10 \leq C/R$ ,  $100 \leq C/R$  )

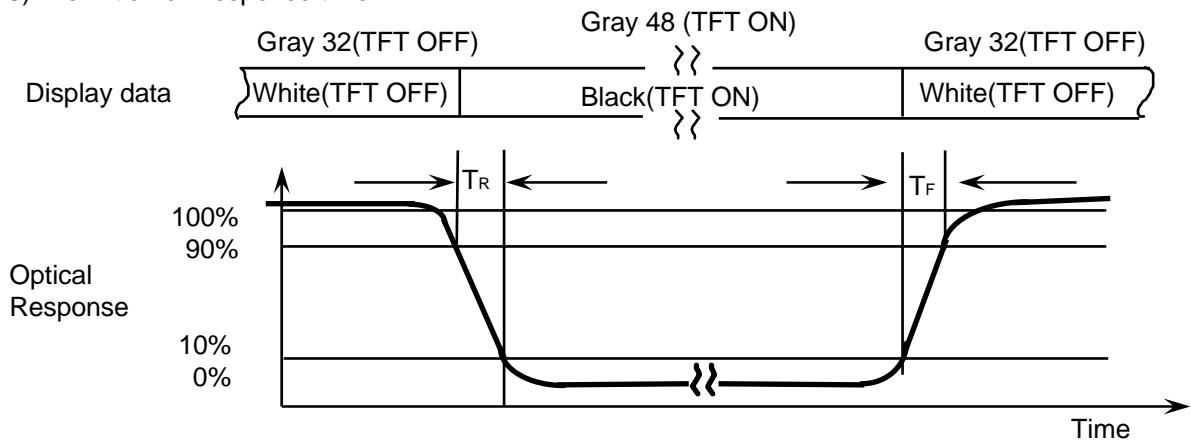


Note 2) Definition of Contrast Ratio (CR) : Ratio of gray max (Gmax) ,gray min (Gmin) at 5 points(4, 5, 7, 9, 10)

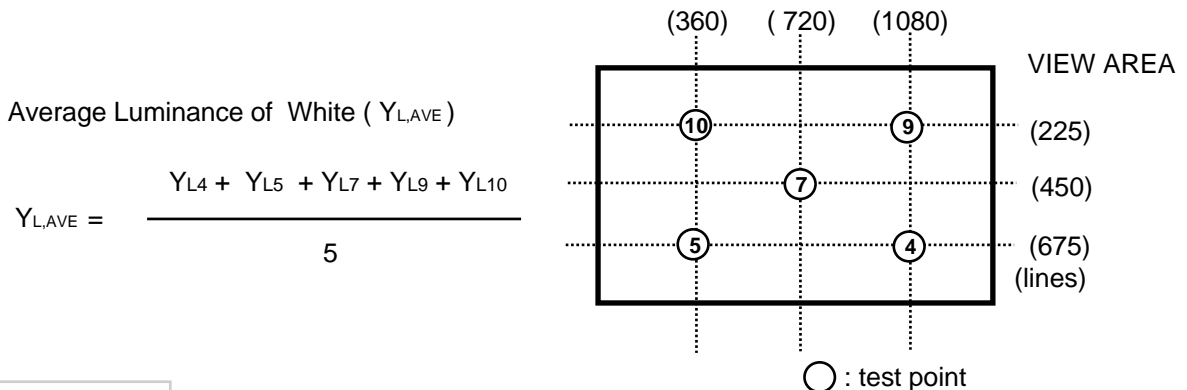
$$CR = \frac{CR(4) + CR(5) + CR(7) + CR(9) + CR(10)}{5}$$

Points : (4) , (5) , (7) , (9) , (10) at the figure of Note (6).

Note 3) Definition of Response time :



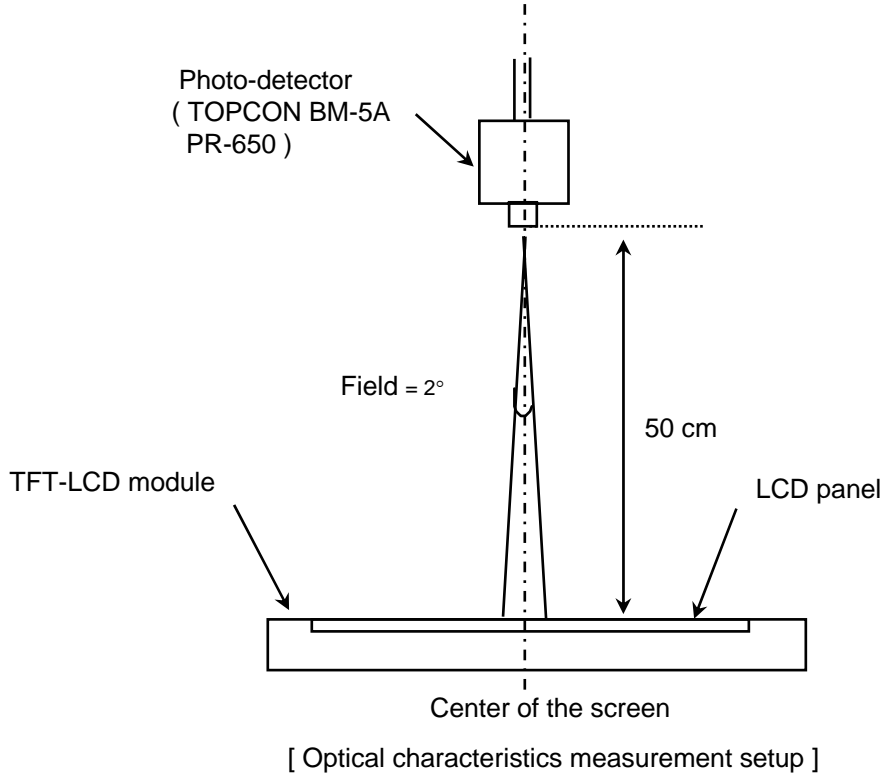
Note 4) Definition of Average Luminance of White : measure the luminance of white at 5 points.



Note 5) After stabilizing and leaving the panel alone at a given temperature for 30 min , the measurement should be executed. Measurement should be executed in a stable, windless, and dark room. 30 min after lighting the backlight. This should be measured in the center of screen.

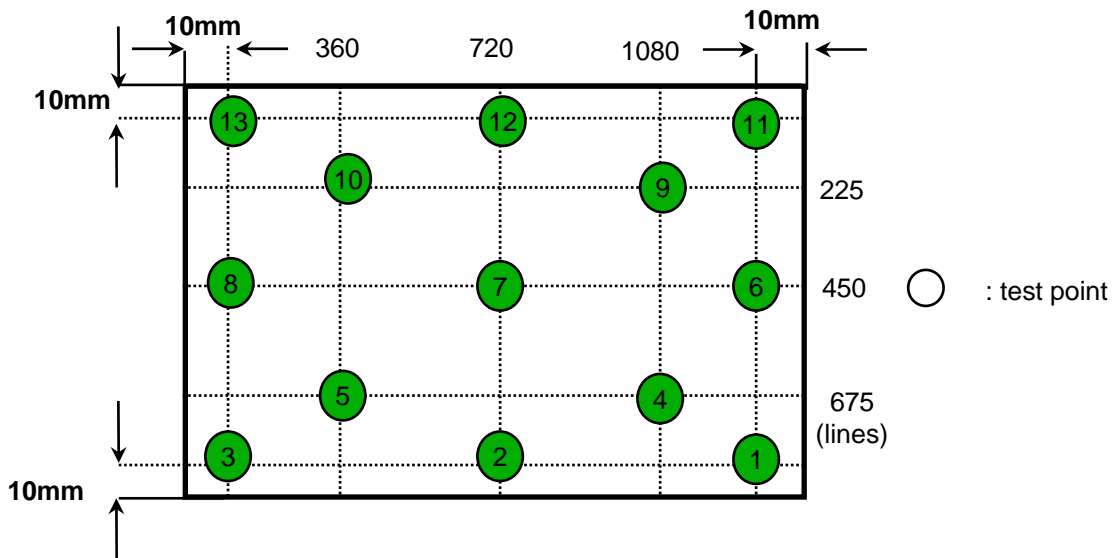
Lamp current : 6.0mA

Environment condition :  $T_a = 25 \pm 2 \text{ }^\circ\text{C}$



Note 6) Definition of 13 points white variation ( $\delta L$ ), CR variation( $C_{VER}$ ) [ ① ~ ⑬ ]

$$\delta L = \frac{\text{Maximum luminance of 13 points}}{\text{Minimum luminance of 13 points}}$$



Samsung Secret

### 3. ELECTRICAL CHARACTERISTICS

Preliminary

#### 3.1 TFT LCD MODULE

Ta= 25 ± 2°C

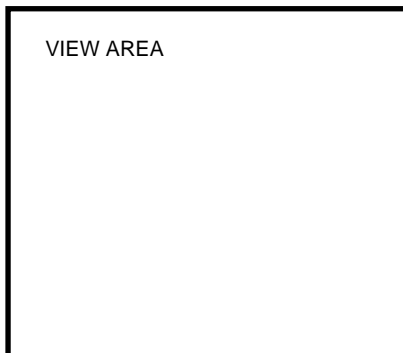
Item	Symbol	Min.	Typ.	Max.	Unit	Note	
Voltage of Power Supply	V <sub>DD</sub>	3.0	3.3	3.6	V		
Differential Input Voltage for LVDS Receiver Threshold	High	V <sub>IH</sub>	-	-	+100	mV	V <sub>CM</sub> = +1.2V
	Low	V <sub>IL</sub>	-100	-	-	mV	
Vsync Frequency	f <sub>v</sub>	-	60	-	Hz		
Hsync Frequency	f <sub>h</sub>	-	54.72	-	KHz	f <sub>v</sub> *912	
Main Frequency	f <sub>DCLK</sub>	-	48.15	-	MHz	f <sub>h</sub> *1760	
Rush Current	I <sub>RUSH</sub>	-	-	1.5	A	(4)	
Current of Power Supply	White	I <sub>DD</sub>	-	460	-	mA	(2),(3)*a
	Mosaic		-	480	-	mA	(2),(3)*b
	V. stripe		-	550	605	mA	(2),(3)*c

Note (1) Display data pins and timing signal pins should be connected.( GND = 0V )

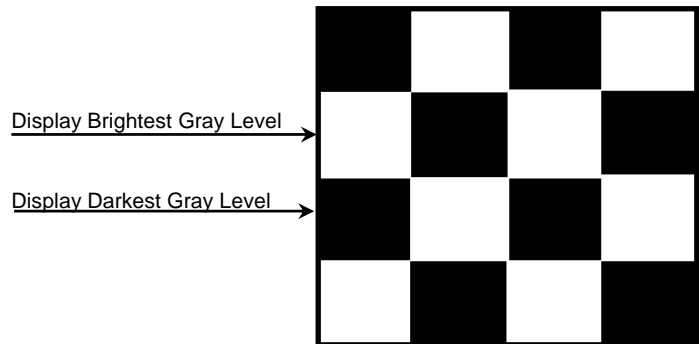
(2) f<sub>v</sub> = 60Hz, f<sub>DCLK</sub> = 48.15MHz, V<sub>DD</sub> = 3.3V , DC Current.

(3) Power dissipation pattern

\*a) White Pattern

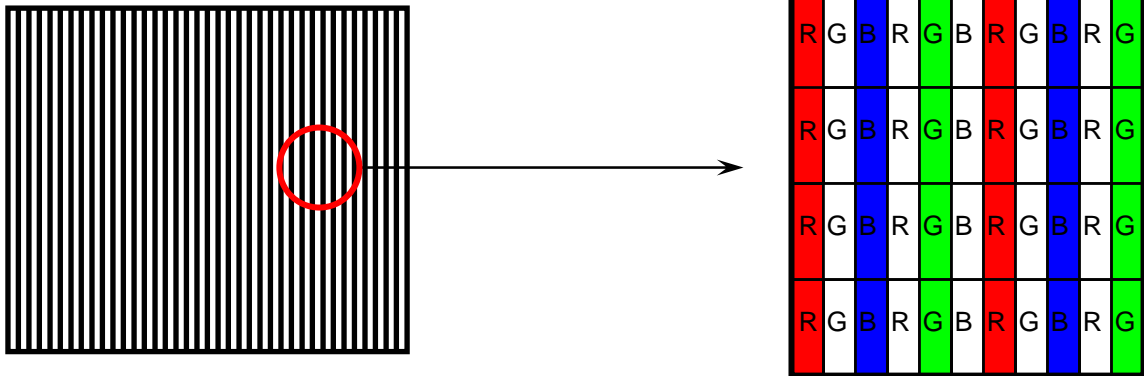


\*b) Mosaic Pattern

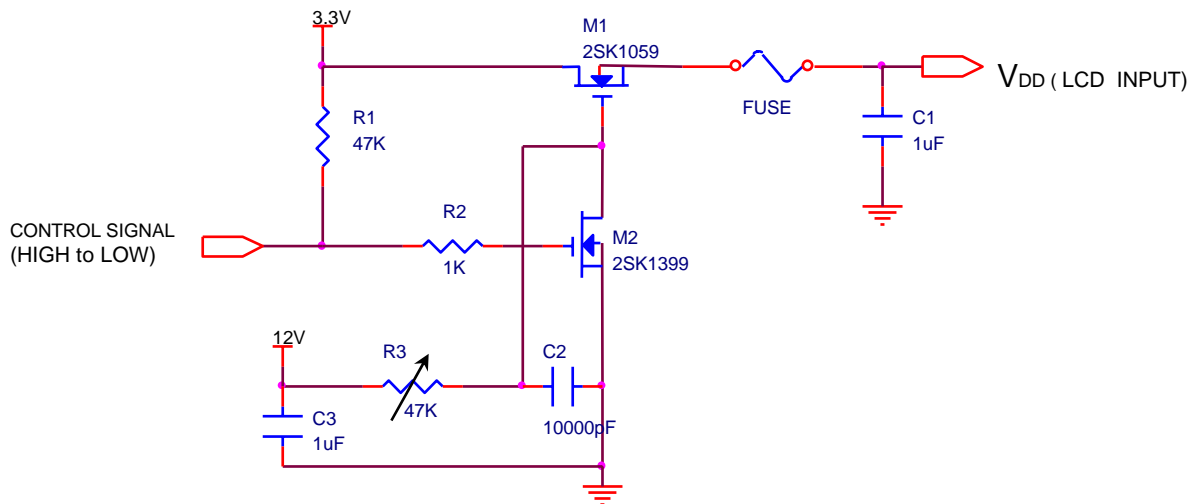


Samsung Secret

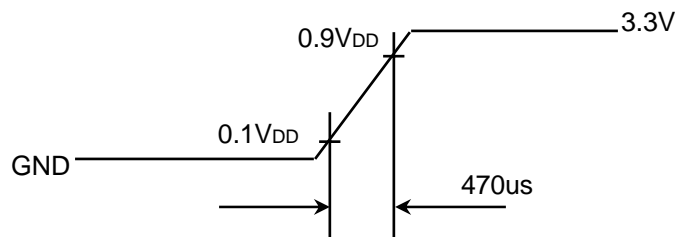
\*c) 1dot Vertical stripe pattern



4) Rush current measurement condition



V<sub>DD</sub> rising time is 470us



Samsung Secret

### 3.2 BACK-LIGHT UNIT

The backlight system is an edge-lighting type with a single CCFT ( Cold Cathode Fluorescent Tube ).  
The characteristics of a single lamp are shown in the following table.

- INVERTER : Foxconn / Sumida

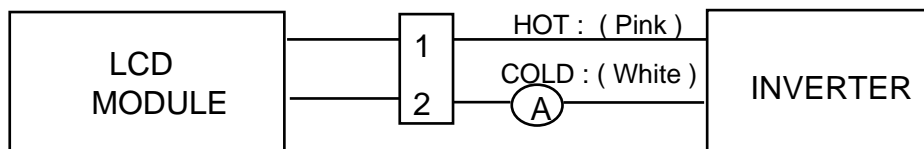
Ta= 25 ± 2 °C

Item	Symbol	Min.	Typ.	Max.	Unit	Note
Lamp Current	I <sub>L</sub>	3.0	6.0	6.5	mArms	(1)
Lamp Voltage	V <sub>L</sub>	-	665	-	Vrms	I <sub>L</sub> = 6.0mA
Frequency	f <sub>L</sub>	50	60	65	KHz	(2)
Power Consumption	P <sub>L</sub>	-	4.3	4.6	W	(3) I <sub>L</sub> = 6.0mA
Operating Life Time	Hr	15,000	-	-	Hour	(4)
Startup Voltage	V <sub>s</sub>	-	-	1120	Vrms	25°C, (5)
				1345	Vrms	0°C, (5)

**Note) The waveform of the inverter output voltage must be area symmetric and the design of the inverter must have specifications for the modularized lamp.**

The performance of the backlight, for example life time or brightness, is much influenced by the characteristics of the DC-AC inverter for the lamp. So all the parameters of an inverter should be carefully designed so as not to produce too much leakage current from high-voltage output of the inverter. When you design or order the inverter, please make sure that a poor lighting caused by the mismatch of the backlight and the inverter(miss lighting, flicker, etc.) never occur. When you confirm it, the module should be operated in the same condition as it is installed in your instrument.

Note (1) Lamp current is measured with a high frequency current meter as shown below.



(2) Lamp frequency may produce interference with horizontal synchronous frequency and this may cause line flow on the display. Therefore lamp frequency should be detached from the horizontal synchronous frequency and its harmonics as far as possible in order to avoid interference.

(3) Refer to I<sub>L</sub> × V<sub>L</sub> to calculate.

(4) Life time (Hr) of a lamp can be defined as the time in which it continues to operate under the condition Ta= 25 ± 2 °C and I<sub>L</sub> = 6.0 mArms until one of the following event occurs.

1. When the brightness becomes 50% or lower than the original.
2. When the Effective ignition length becomes 80% or lower than the original value.  
(Effective ignition length is defined as an area that has less than 70% brightness compared to the brightness in the center point.)

(5) The inverter open voltage - this voltage should be measured behind ballast capacitor- has to be larger than the lamp startup voltage. Otherwise, backlight may have blinking for a moment after being turned on, or not be turned on. If an inverter has shutdown function, it should keep its open voltage for longer than 1 second even if a lamp connector is open.

Samsung Secret

### 3.3 Inverter

Inverter Manufacturer : Ambit / Sumida

Ta = 25 ± 2°C

Item		Min.	Typ.	Max	Unit	Note
Input Voltage (Vin)		7.5	14.4	21.0	V	
Open Circuit Voltage		1400	-	1800	Vrms	
Lamp Current (Duty Cycle)		10 @SMB_DAT [TBD]	-	100 @SMB_DAT FFH IL=6.0mArms	%	Vin=14.4V (3)
Efficiency	Optical	20	-	-	nit / W	After 30min turn on at the center of LCD Vin=14.4V @ 6.0mA
	Electrical	-	80	-	%	
Operating Frequency		45	55	65	kHz	SMB_DAT=FFH
Input Power Consumption		-	-	TBD	W	Vin=14.4V Iout = 6.0mArms
PWM Frequency		200	210	220	Hz	
Shutdown time		0.6	1.0	1.4	sec	
Start-up time		-	-	0.1	sec	(1)

Note )

(1) Inverter start-up time

(2) Efficiency should be calculated as below formulation.

Optical efficiency = output Brightness(nits) / Input power(watt)

Electrical efficiency = output power / input power

(3) Below items are not guaranteed, if this product is used at 10nit setting.

**1. Luminance deviation**

. Luminance deviation 20% can not be guaranteed under 20% duty ratio.

**2. Luminance reduction at low temperature**

. Luminance can be reduced at lower temperature.

**3. Partial turn-on of lamp / No turn-on / Non-uniformity**

. Visual characteristic problems can be happened due to abnormal turn-on of lamp.

. Lamp can not be turn-on under 20% duty ratio.

. Non-uniformity can be occurred due to mercury distribution under 20% duty ratio.

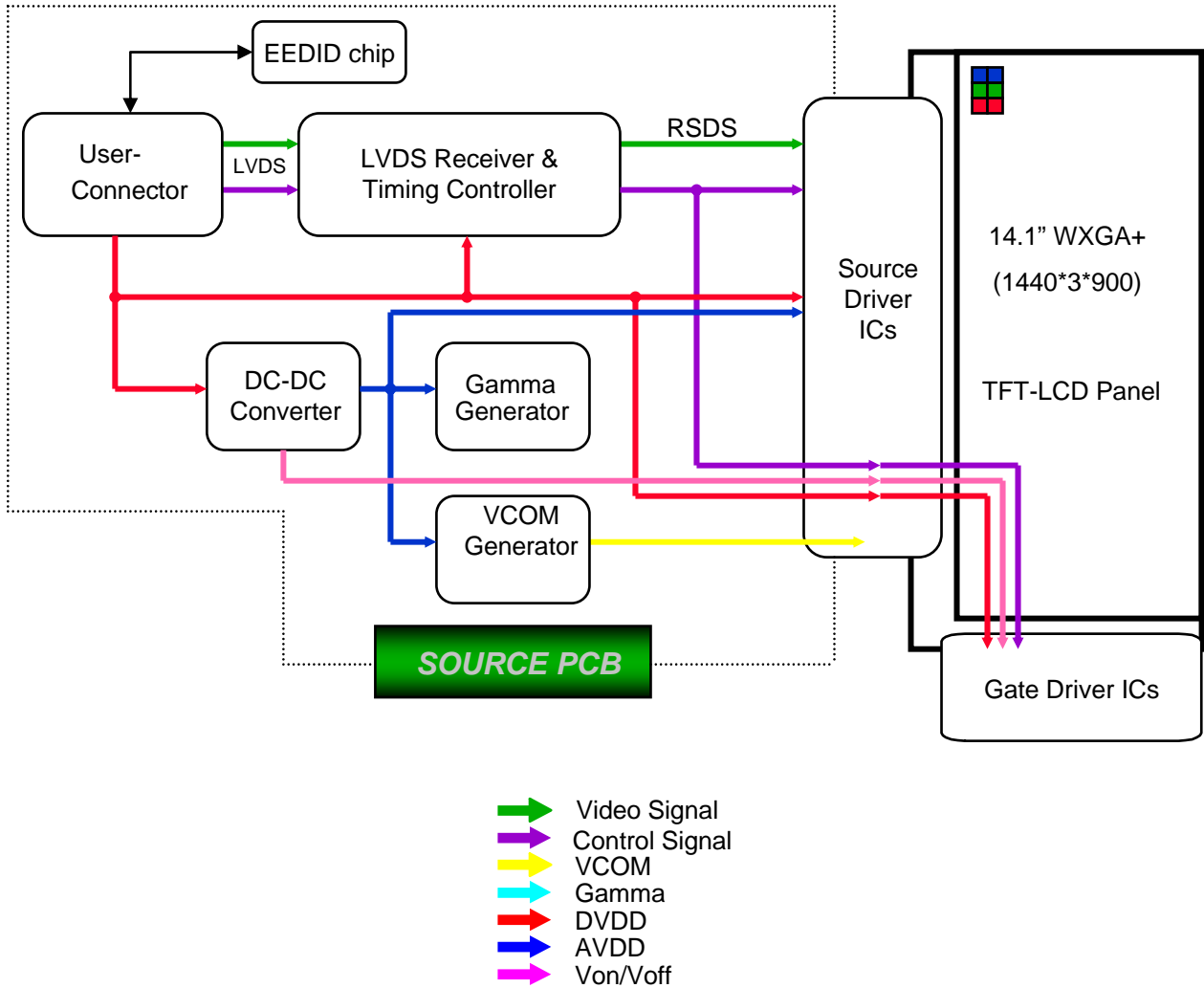
**4. Lamp life time reduction**

. Lamp life time can be shortened under the usage of low temperature  
or lower duty ratio for a long time.

Samsung Secret

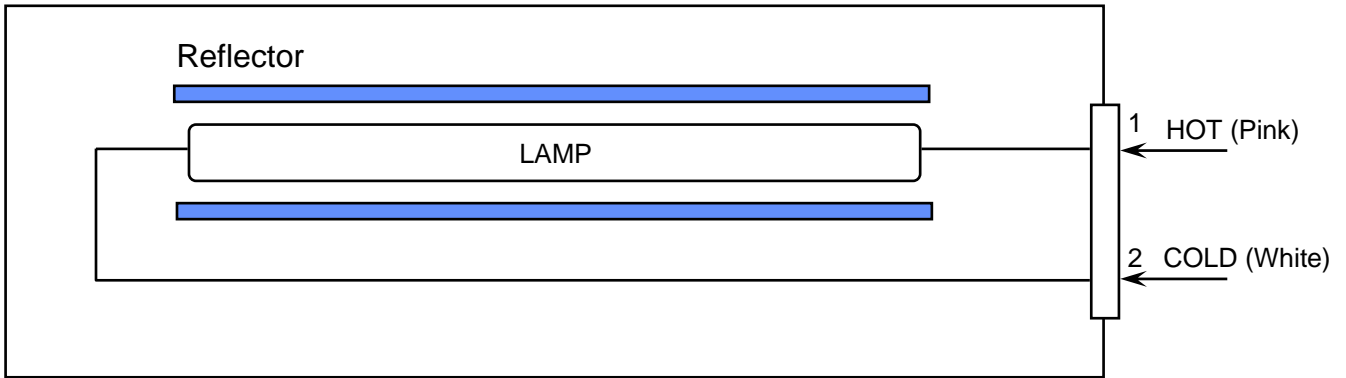
## 4. BLOCK DIAGRAM

### 4.1 TFT LCD Module



Samsung Secret

### 4.2 BACKLIGHT UNIT

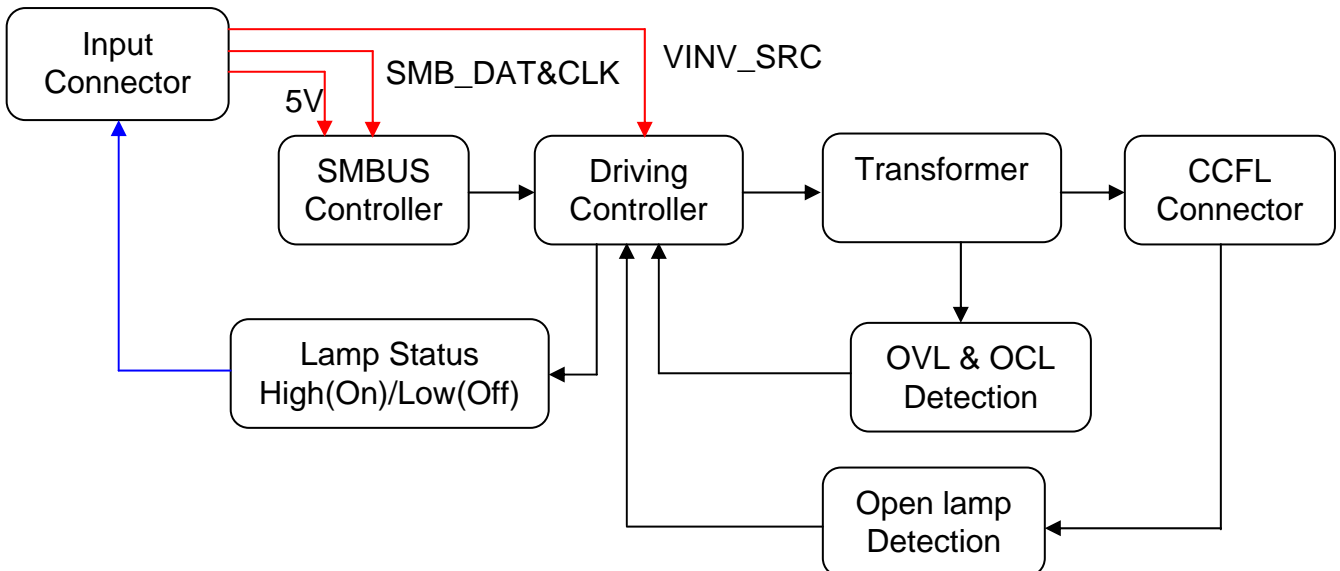


Note) The output of the inverter may change according to the material of the reflector.

### 4.3 Inverter UNIT

Input Connector : Honda, LVC-D20SFYG

Lamp Connector : JST, SM02B-BHSS-1-TB





## 5. INPUT TERMINAL PIN ASSIGNMENT

5.1. Input Signal & Power (LVDS, Connector : JAE FI-XB30SRLZ-HF11 or compatible )  
Mating Connector : JAE FI-X30M or compatible)

No.	Symbol	Function	Polarity	Remarks
1	VSS	Ground		
2	VDD	POWER SUPPLY +3.3V		
3	VDD	POWER SUPPLY +3.3V		
4	VEEDID	DDC 3.3V Power		
5	BIST	Panel BIST enable		
6	CLKEDID	DDC Clock		
7	DATAEDID	DDC data		
8	O_RxIN0-	LVDS Differential Data INPUT (Odd R0-R5,G0)	Negative	
9	O_RxIN0+	LVDS Differential Data INPUT (Odd R0-R5,G0)	Positive	
10	GND	Ground		
11	O_RxIN1-	LVDS Differential Data INPUT (Odd G1-G5,B0-B1)	Negative	
12	O_RxIN1+	LVDS Differential Data INPUT (Odd G1-G5,B0-B1)	Positive	
13	GND	Ground		
14	O_RxIN2-	LVDS Differential Data INPUT (Odd B2-B5,Sync,DE)	Negative	
15	O_RxIN2+	LVDS Differential Data INPUT (Odd B2-B5,Sync,DE)	Positive	
16	GND	Ground		
17	O_RxCLK-	LVDS Differential Data INPUT (Odd Clock)	Negative	
18	O_RxCLK+	LVDS Differential Data INPUT (Odd Clock)	Positive	
19	GND	Ground		
20	E_RxIN0-	LVDS Differential Data INPUT (Even R0-R5,G0)	Negative	
21	E_RxIN0+	LVDS Differential Data INPUT (Even R0-R5,G0)	Positive	
22	GND	Ground		
23	E_RxIN1-	LVDS Differential Data INPUT (Even G1-G5,B0-B1)	Negative	
24	E_RxIN1+	LVDS Differential Data INPUT (Even G1-G5,B0-B1)	Positive	
25	GND	Ground		
26	E_RxIN2-	LVDS Differential Data INPUT (Even B2-B5,Sync,DE)	Negative	
27	E_RxIN2+	LVDS Differential Data INPUT (Even B2-B5,Sync,DE)	Positive	
28	GND	Ground		
29	E_RxCLK-	LVDS Differential Data INPUT (Even Clock)	Negative	
30	E_RxCLK+	LVDS Differential Data INPUT (Even Clock)	Positive	

**Samsung Secret**

## 5.2 LVDS Interface : Transmitter DS90CF363 or Compatible

### LVDS for Odd pixel

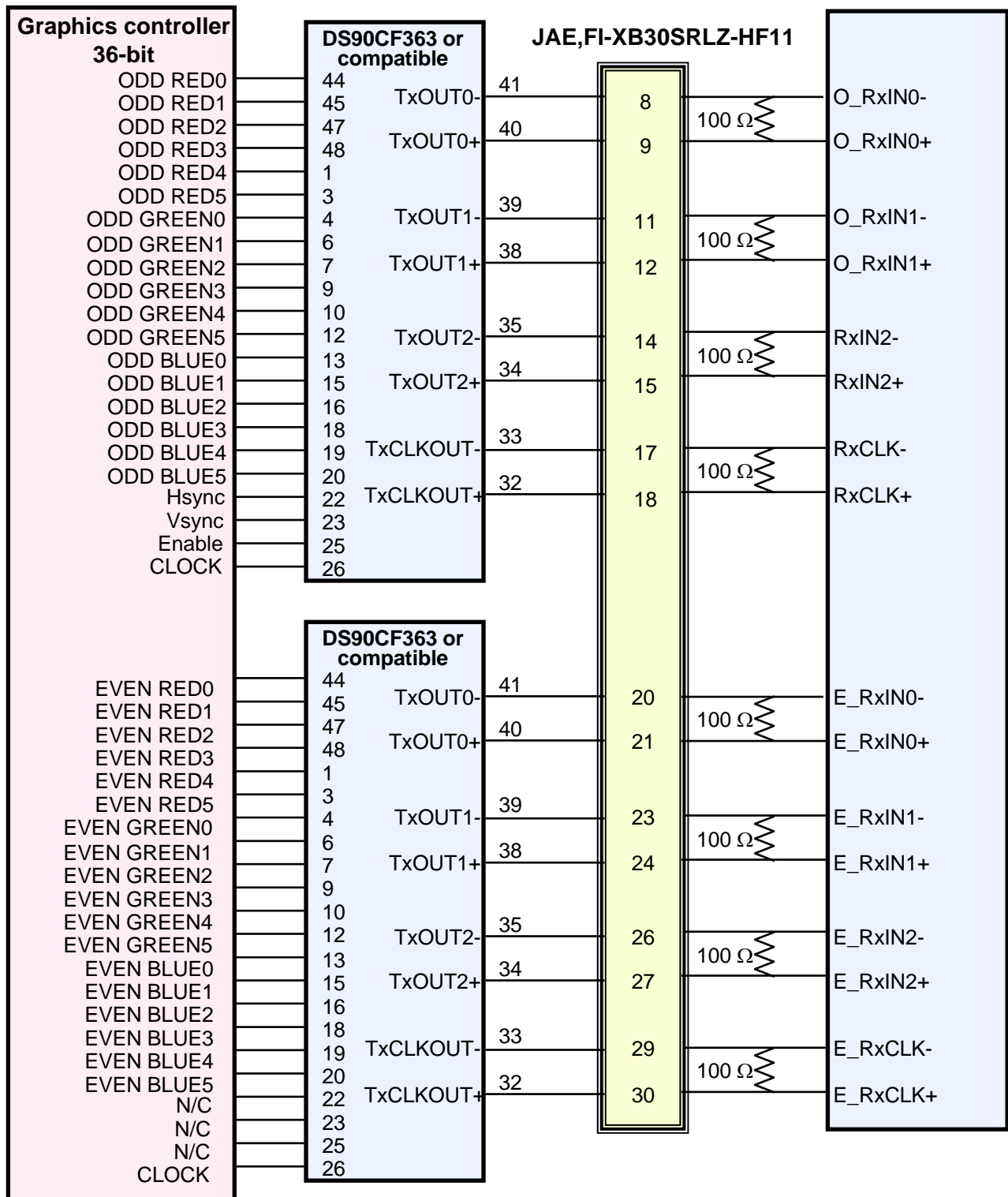
Pin No.	Name	RGB Signal	Pin No.	Name	RGB Signal
44	TxIN0	RO0	12	TxIN11	GO5
45	TxIN1	RO1	13	TxIN12	BO0
47	TxIN2	RO2	15	TxIN13	BO1
48	TxIN3	RO3	16	TxIN14	BO2
1	TxIN4	RO4	18	TxIN15	BO3
3	TxIN5	RO5	19	TxIN16	BO4
4	TxIN6	GO0	20	TxIN17	BO5
6	TxIN7	GO1	22	TxIN18	Hsync
7	TxIN8	GO2	23	TxIN19	Vsync
9	TxIN9	GO3	25	TxIN20	DE
10	TxIN10	GO4	26	TxCLK IN	Clock

### LVDS for Even pixel

Pin No.	Name	RGB Signal	Pin No.	Name	RGB Signal
44	TxIN0	RE0	12	TxIN11	GE5
45	TxIN1	RE1	13	TxIN12	BE0
47	TxIN2	RE2	15	TxIN13	BE1
48	TxIN3	RE3	16	TxIN14	BE2
1	TxIN4	RE4	18	TxIN15	BE3
3	TxIN5	RE5	19	TxIN16	BE4
4	TxIN6	GE0	20	TxIN17	BE5
6	TxIN7	GE1	22	TxIN18	N/C
7	TxIN8	GE2	23	TxIN19	N/C
9	TxIN9	GE3	25	TxIN20	N/C
10	TxIN10	GE4	26	TxCLK IN	Clock

Samsung Secret

### LVDS Interface



Note : The LCD Module uses a 100ohm resistor between positive and negative lines of each receiver input.

Samsung Secret

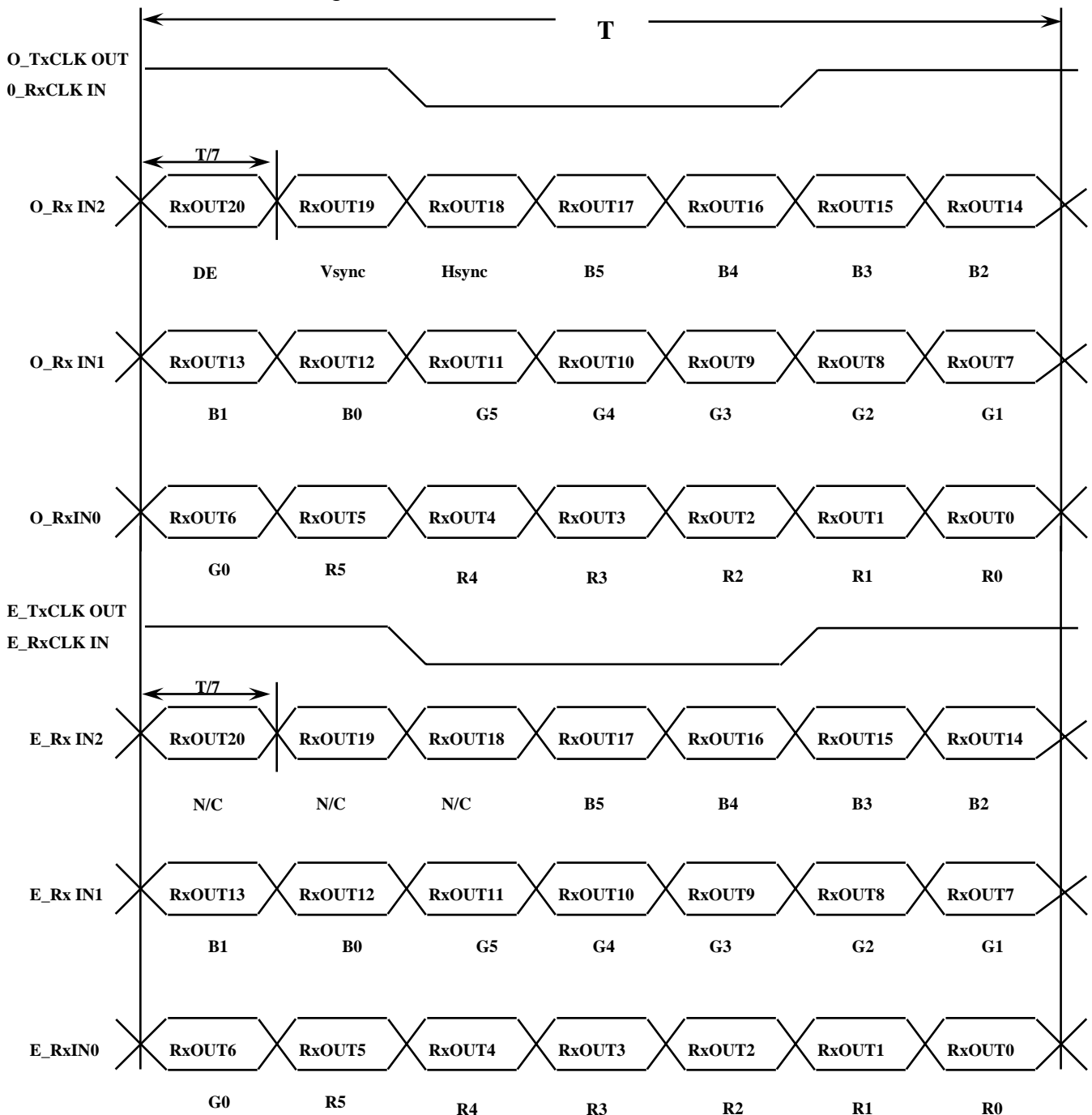
### 5.3 BACK LIGHT UNIT

Connector : JST BHSR - 02VS -1  
 Mating Connector : SM02B-BHSS-1(JST)

Pin NO.	Symbol	Color	Function
1	HOT	Pink	High Voltage
2	COLD	White	Low Voltage

### 5.4 Timing Diagrams of LVDS For Transmission

LVDS Receiver : Integrated T-CON



Samsung Secret

5.5 Input Signals, Basic Display Colors and Gray Scale of Each Color

Color	Display	Data Signal																	Gray Scale Level
		Red					Green					Blue							
		R0	R1	R2	R3	R4	R5	G0	G1	G2	G3	G4	G5	B0	B1	B2	B3	45	
Basic Colors	Black	0	0	0	0	0	0	0	0	0	0	0	0	0	0	0	0	0	-
	Blue	0	0	0	0	0	0	0	0	0	0	0	0	1	1	1	1	1	-
	Green	0	0	0	0	0	0	1	1	1	1	1	1	0	0	0	0	0	-
	Cyan	0	0	0	0	0	0	1	1	1	1	1	1	1	1	1	1	1	-
	Red	1	1	1	1	1	1	0	0	0	0	0	0	0	0	0	0	0	-
	Magenta	1	1	1	1	1	1	0	0	0	0	0	0	1	1	1	1	1	-
	Yellow	1	1	1	1	1	1	1	1	1	1	1	1	0	0	0	0	0	-
	White	1	1	1	1	1	1	1	1	1	1	1	1	1	1	1	1	1	-
Gray Scale Of Red	Black	0	0	0	0	0	0	0	0	0	0	0	0	0	0	0	0	0	R0
	Dark	1	0	0	0	0	0	0	0	0	0	0	0	0	0	0	0	0	R1
	↑	0	1	0	0	0	0	0	0	0	0	0	0	0	0	0	0	0	R3~R60
	:	:	:	:	:	:	:	:	:	:	:	:	:	:	:	:	:	:	
	:	:	:	:	:	:	:	:	:	:	:	:	:	:	:	:	:	:	
	↓	1	0	1	1	1	1	0	0	0	0	0	0	0	0	0	0	0	R61
	Light	0	1	1	1	1	1	0	0	0	0	0	0	0	0	0	0	0	R62
	Red	1	1	1	1	1	1	0	0	0	0	0	0	0	0	0	0	0	R63
Gray Scale Of Green	Black	0	0	0	0	0	0	0	0	0	0	0	0	0	0	0	0	0	G0
	Dark	0	0	0	0	0	0	1	0	0	0	0	0	0	0	0	0	0	G1
	↑	0	0	0	0	0	0	0	1	0	0	0	0	0	0	0	0	0	G3~G60
	:	:	:	:	:	:	:	:	:	:	:	:	:	:	:	:	:	:	
	:	:	:	:	:	:	:	:	:	:	:	:	:	:	:	:	:	:	
	↓	0	0	0	0	0	0	1	0	1	1	1	1	0	0	0	0	0	G61
	Light	0	0	0	0	0	0	0	1	1	1	1	1	0	0	0	0	0	G62
	Green	0	0	0	0	0	0	1	1	1	1	1	1	0	0	0	0	0	G63
Gray Scale Of Blue	Black	0	0	0	0	0	0	0	0	0	0	0	0	0	0	0	0	0	B0
	Dark	0	0	0	0	0	0	0	0	0	0	0	0	1	0	0	0	0	B1
	↑	0	0	0	0	0	0	0	0	0	0	0	0	0	1	0	0	0	B2
	:	:	:	:	:	:	:	:	:	:	:	:	:	:	:	:	:	:	B3~B60
	:	:	:	:	:	:	:	:	:	:	:	:	:	:	:	:	:	:	
	↓	0	0	0	0	0	0	0	0	0	0	0	0	1	0	1	1	1	
	Light	0	0	0	0	0	0	0	0	0	0	0	0	0	1	1	1	1	B62
	Blue	0	0	0	0	0	0	0	0	0	0	0	0	1	1	1	1	1	B63

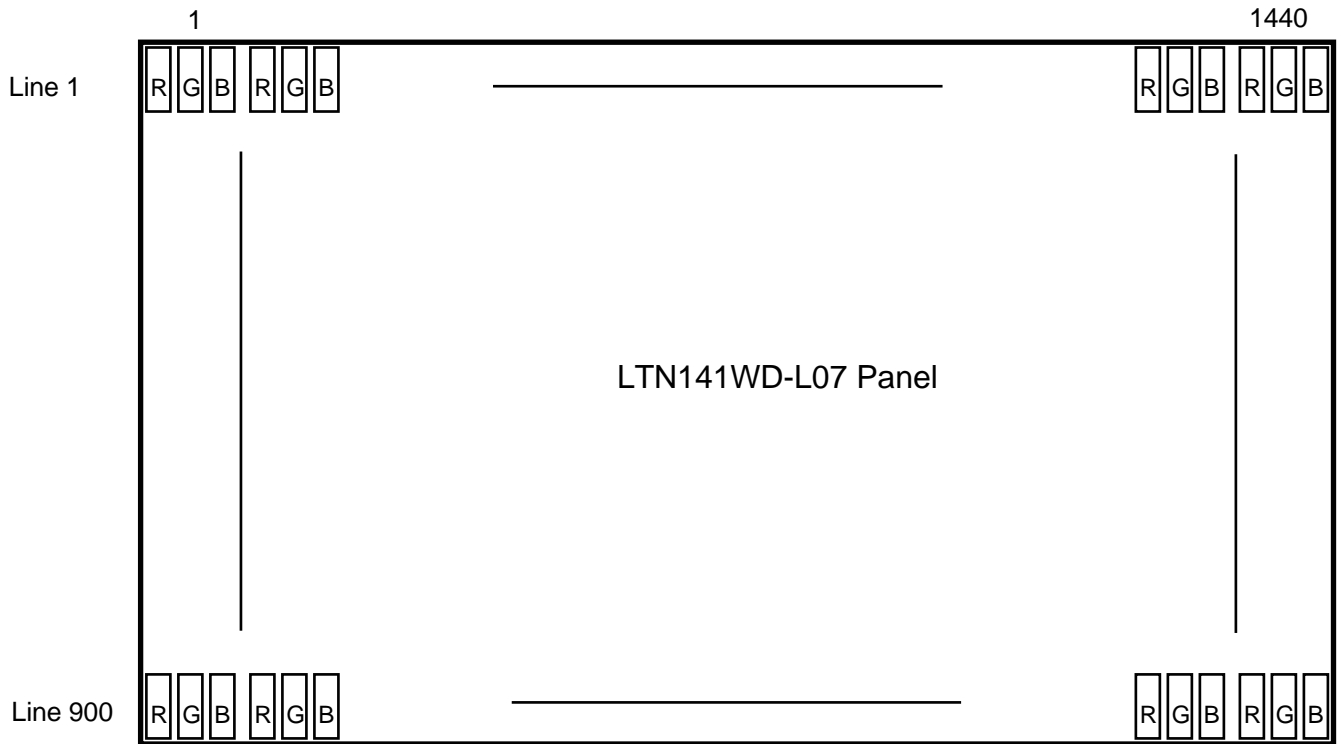
Note 1) Definition of gray :

Rn: Red gray, Gn: Green gray, Bn: Blue gray (n=gray level)

Note 2) Input signal: 0 =Low level voltage, 1=High level voltage

**Samsung Secret**

### 5.6 Pixel Format in the display



Samsung Secret

## 5.7 Inverter signals &amp; power

## Inverter Connector : Honda, LVC-D20SFYG

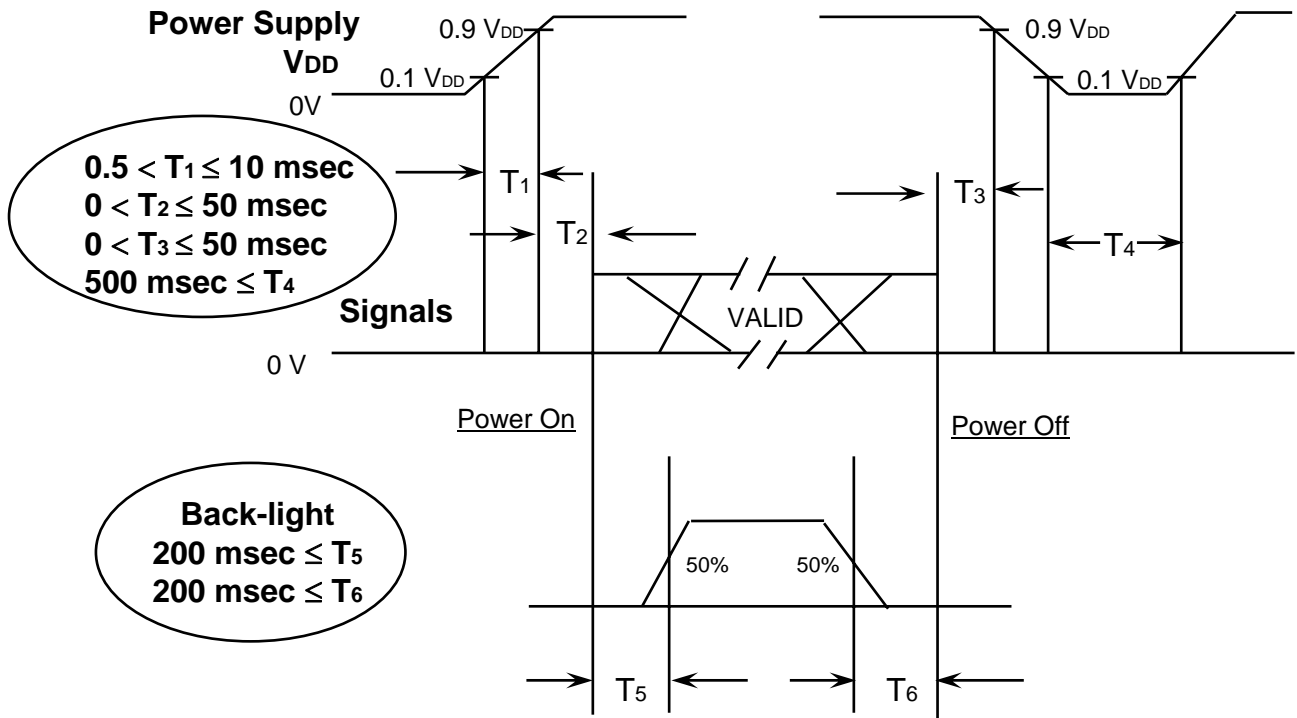
Pin No.	Symbol	Voltage	Comments
1	INV_SRC	7.5V to 21V	This power rail should be used as a power rail to drive the back-light DC-AC converter.
2	INV_SRC	7.5V to 21V	This power rail should be used as a power rail to drive the back-light DC-AC converter.
3	INV_SRC	7.5V to 21V	This power rail should be used as a power rail to drive the back-light DC-AC converter.
4	INV_SRC	7.5V to 21V	This power rail should be used as a power rail to drive the back-light DC-AC converter.
5	GND	0V	Ground
6	NC	-	No Connection
7	5VALW	5V	This should be used as power source that stores the brightness/contrast values & the circuit that interfaces with SMB_CLK & SMB_DAT.
8	GND	0V	Ground
9	SMB_DAT	-	SMBUS interface for sending brightness & contrast information to the inverter/panel
10	SMB_CLK	-	SMBUS interface for sending brightness & contrast information to the inverter/panel
11	GND	0V	Ground
12	INV_PWM	-	System side PWM input signal for brightness control
13	GND	0V	Ground
14	NC	-	No Connection
15	DIAG_LOOP	TBD	Diag pin for Dell testing
16	NC	-	No Connection
17	5VALW	5V	This should be used as power source that stores the brightness/contrast values & the circuit that interfaces with SMB_CLK & SMB_DAT.
18	5VALW	5V	This should be used as power source that stores the brightness/contrast values & the circuit that interfaces with SMB_CLK & SMB_DAT.
19	NC	-	No Connection
20	DIAG_LOOP	TBD	Diag pin for Dell testing

Samsung Secret

### 6.3 Power ON/OFF Sequence

Preliminary

: To prevent a latch-up or DC operation of the LCD module, the power on/off sequence should be as the diagram below.



Power ON/OFF Sequence

- T<sub>1</sub> : V<sub>DD</sub> rising time from 10% to 90%
- T<sub>2</sub> : The time from V<sub>DD</sub> to valid data at power ON.
- T<sub>3</sub> : The time from valid data off to V<sub>DD</sub> off at power Off.
- T<sub>4</sub> : V<sub>DD</sub> off time for Windows restart
- T<sub>5</sub> : The time from valid data to B/L enable at power ON.
- T<sub>6</sub> : The time from valid data off to B/L disable at power Off.

**NOTE.**

- (1) The supply voltage of the external system for the module input should be the same as the definition of V<sub>DD</sub>.
- (2) Apply the lamp voltage within the LCD operation range. When the back-light turns on before the LCD operation or the LCD turns off before the back-light turns off, the display may momentarily become white.
- (3) In case of V<sub>DD</sub> = off level, please keep the level of input signals on the low or keep a high impedance.
- (4) T<sub>4</sub> should be measured after the module has been fully discharged between power off and on period.
- (5) Interface signal shall not be kept at high impedance when the power is on.

Samsung Secret

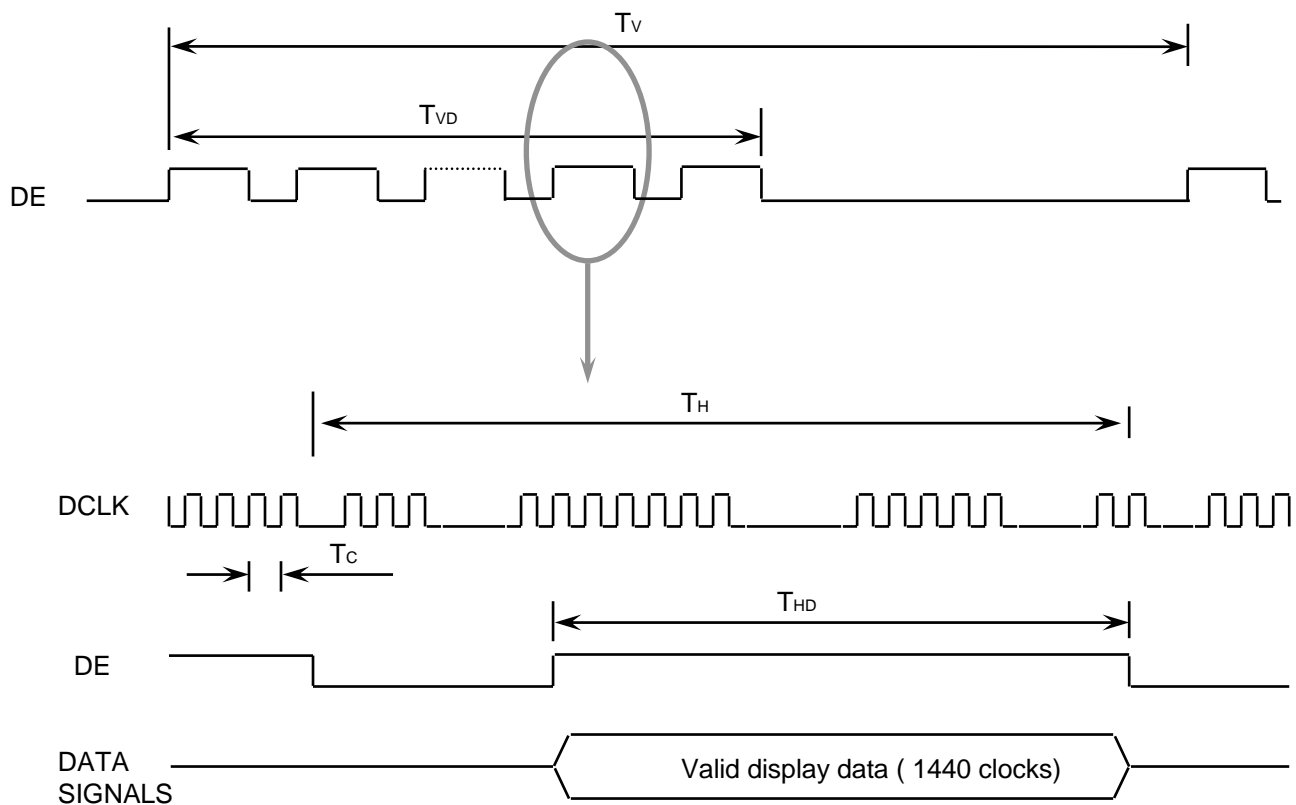


## 6. INTERFACE TIMING

### 6.1 Timing Parameters

Signal	Item	Symbol	Min.	Typ.	Max.	Unit	Note
Frame Frequency	Cycle	TV	-	912	-	Lines	
Vertical Active Display Term	Display Period	TVD	-	900	-	Lines	
One Line Scanning Time	Cycle	TH	-	1760	-	Clocks	
Horizontal Active Display Term	Display Period	THD	-	1440	-	Clocks	

### 6.2 Timing diagrams of interface signal



Samsung Secret

## 7. Mechanical Outline Dimension

Preliminary

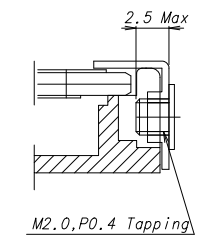
It will be attached with PDF file

Samsung Secret

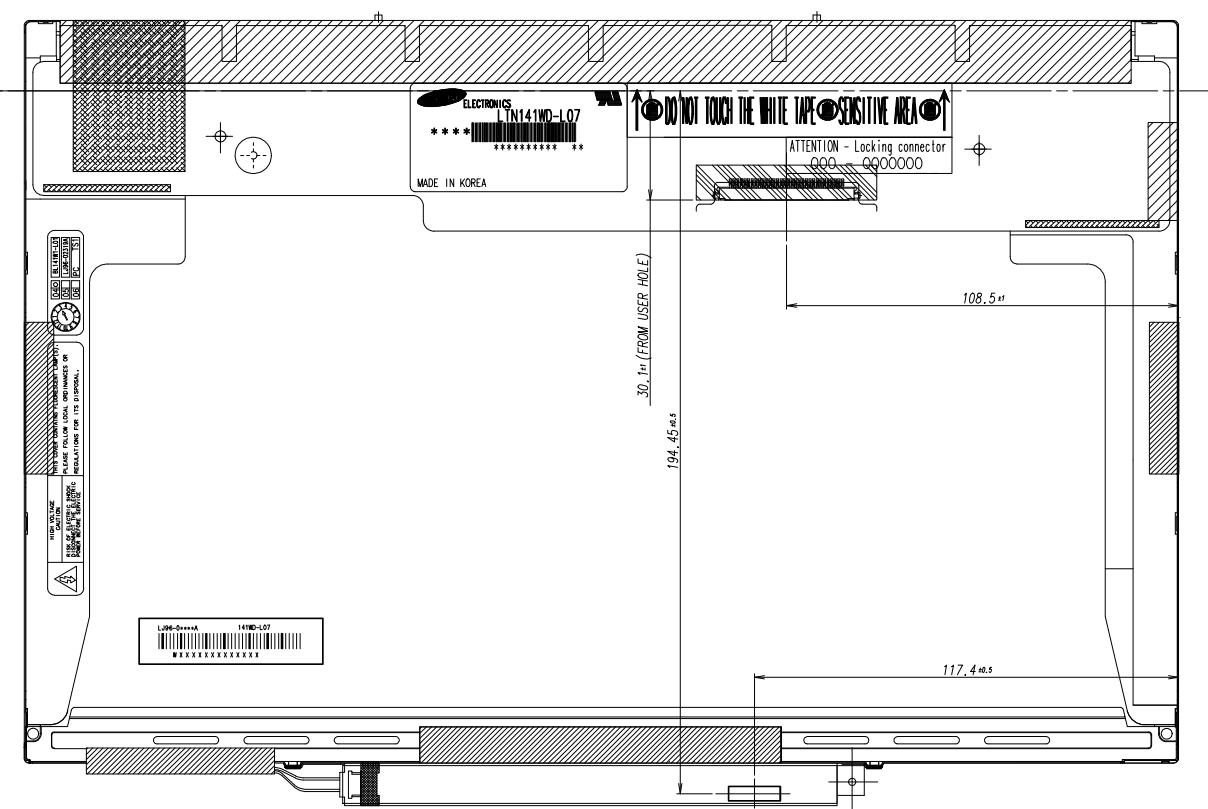
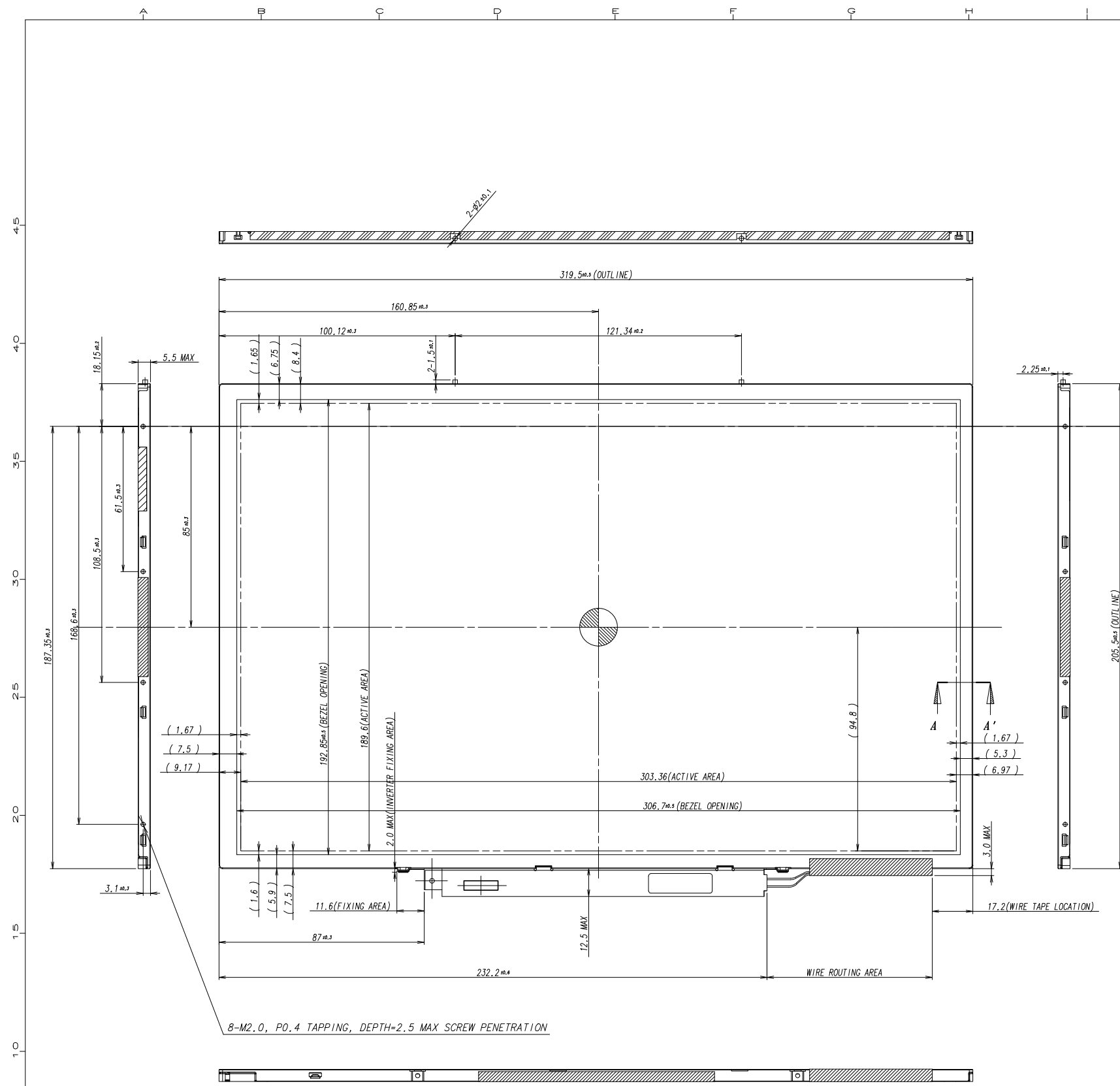
<b>Doc.No.</b>	LTN141WD-L07	<b>Rev.No</b>	04-P01-S-070115	<b>Page</b>	25 / 33
----------------	--------------	---------------	-----------------	-------------	---------

NO	PART NAME	CODE NO	SPECIFICATION	Q'TY	WEIGHT FINISH MATERIAL	UNFOLDED DIM. OF MATERIAL	REMARK
1	LTN141W1-L02	-		1EA			

SCREW PENETRATION DEPTH



M2.0, P0.4 Tapping  
SECTION A-A' (S=5/1)



\* NOTE

- INPUT SIGNAL INTERFACE CONNECTOR TO BE SPECIFIED AS BELOW.  
- PART NO./MAKER : FI-XB30SRLZ-HF11/JAE (or compatible)
- INPUT MATING SIGNAL INTERFACE CONNECTOR TO BE SPECIFIED AS BELOW.  
- PART NO./MAKER : FI-X30M/JAE (or compatible)
- INVERTER CONNECTOR FOR BACKLIGHT TO BE SPECIFIED AS BELOW.  
- PART NO./MAKER : LVC-D20SFYG/HONDA (or compatible)
- CALIFERS MEASURING FORCE : 530 ± 150 gf
- USER HOLE TORQUE SPEC : 3.0Kgfcm MAX (5 TIMES)
- WEIGHT SPEC : 470g MAX

REVISION

GENERAL TOLERANCE				REV	DATE	DESCRIPTION OF REVISION			REASON	CHG'D BY	
STEP	LEVEL 1	LEVEL 2	LEVEL 3	UNIT	mm	DRA'N BY	DES'D BY	CHK'D BY	APP'D BY	MODEL NAME	
0 < X ≤ 4	±0.05	±0.1	±0.2	SCALE	1/1	Y.K.KIM	Y.J.LEE	D.C.YANG	05.07.04	LTN141WD-L07	
4 < X ≤ 16	±0.08	±0.15	±0.3	TOLERANCE	LEVEL2	05.07.04	05.07.04	05.07.04		PART/SHEET NAME	
16 < X ≤ 64	±0.12	±0.25	±0.5	SAMSUNG ELECTRONICS						SPEC. NO	Outline-Dimension
64 < X ≤ 256	±0.25	±0.4	±0.8							00502701-000	SHEET 1/1
										VER. 000	

## 8. PACKING

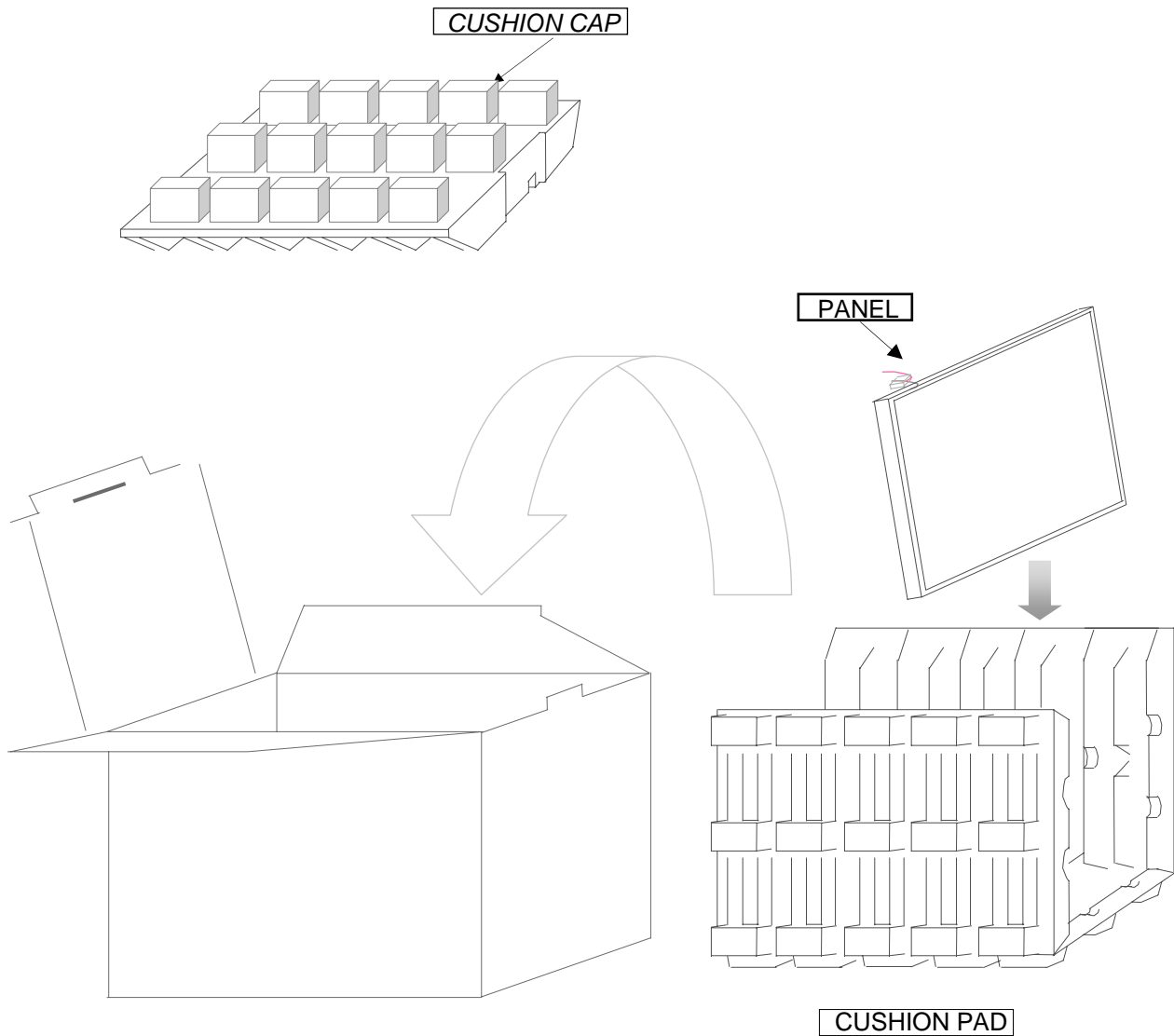
Preliminary

### 1. CARTON(Internal Package)

#### (1) Packing Form

Corrugated Cardboard box and Corrupad form as shock absorber

#### (2) Packing Method



- Note 1) Total Weight : Approximately 10 kg  
2) Acceptance number of piling : 10 sets  
3) Carton size : 376(W)×326(D)×404(H)

PACKING CASE

Samsung Secret

Doc.No.

LTN141WD-L07

Rev.No

04-P01-S-070115

Page

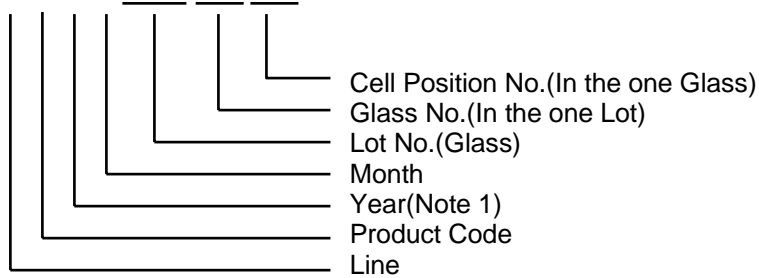
26 / 33

No	Part name	Quantity
1	Static electric protective sack	10
2	Packing case (Inner box) included shock absorber	1 set
3	Pictorial marking	2 pcs
4	Carton	1 set

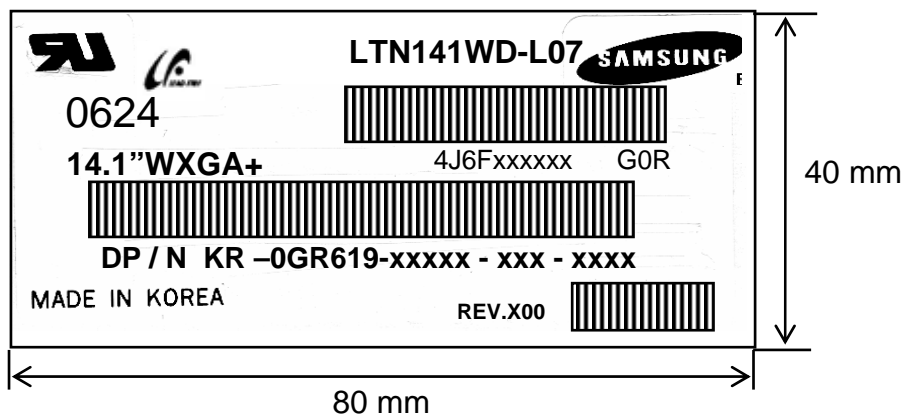
### 9. MARKINGS & OTHERS

A nameplate bearing followed by is affixed to a shipped product at the specified location on each product.

- (1) Parts number : LTN141WD-L07
- (2) Revision : Three letters
- (3) Lot number : 4 J 6 F XXX XX X



#### (4) Nameplate Indication

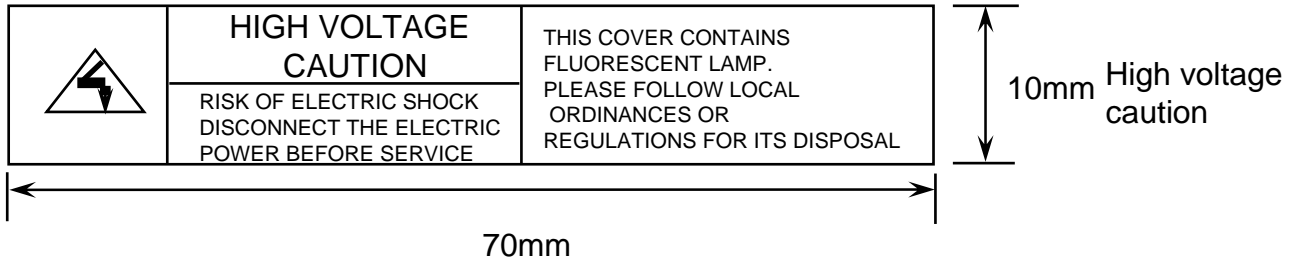


Parts name : LTN141WD-L07  
 Lot number : 4J6Fxxxxxx  
 Inspected work week : 0624  
 DP/N : Dell Part Number ("GR619" is for 141WD-L07)  
 REV.xxx : Product Revision Code

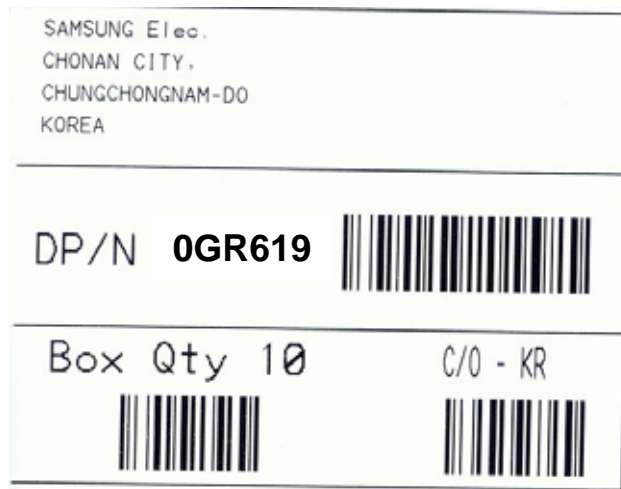
Samsung Secret

Preliminary

This HIGH VOLTAGE CAUTION is carved in mold frame



(6) Packing box attach



(7) Packing box Marking : Samsung TFT-LCD Brand Name



Samsung Secret

## 10. GENERAL PRECAUTIONS

Preliminary

### 1. Handling

- (a) When the module is assembled, It should be attached to the system firmly using every mounting holes. Be careful not to twist and bend the modules.
- (b) Refrain from strong mechanical shock and / or any force to the module. In addition to damage, this may cause improper operation or damage to the module and CCFT back-light.
- (c) Note that polarizers are very fragile and could be easily damaged. Do not press or scratch the surface harder than a HB pencil lead.
- (d) Wipe off water droplets or oil immediately. If you leave the droplets for a long time, Staining and discoloration may occur.
- (e) If the surface of the polarizer is dirty, clean it using some absorbent cotton or soft cloth.
- (f) The desirable cleaners are water, IPA (Isopropyl Alcohol) or Hexane. Do not use Ketone type materials(ex. Acetone), Ethyl alcohol, Toluene, Ethyl acid or Methyl chloride. It might permanent damage to the polarizer due to chemical reaction.
- (g) If the liquid crystal material leaks from the panel, it should be kept away from the eyes or mouth. In case of contact with hands, legs or clothes, it must be washed away thoroughly with soap.
- (h) Protect the module from static, it may cause damage to the C-MOS Gate Array IC.
- (i) Use fingerstalls with soft gloves in order to keep display clean during the incoming inspection and assembly process.
- (j) Do not disassemble the module.
- (k) Do not pull or fold the lamp wire.
- (l) Do not adjust the variable resistor which is located on the back side.
- (m) Protection film for polarizer on the module shall be slowly peeled off just before use so that the electrostatic charge can be minimized.
- (n) Pins of I/F connector shall not be touched directly with bare hands.

Samsung Secret

<b>Doc.No.</b>	LTN141WD-L07	<b>Rev.No</b>	04-P01-S-070115	<b>Page</b>	29 / 33
----------------	--------------	---------------	-----------------	-------------	---------

## 2. STORAGE

- (a) Do not leave the module in high temperature, and high humidity for a long time.  
It is highly recommended to store the module with temperature from 0 to 35 °C and relative humidity of less than 70%.
- (b) Do not store the TFT-LCD module in direct sunlight.
- (c) The module shall be stored in a dark place. It is prohibited to apply sunlight or fluorescent light during the store.

## 3. OPERATION

- (a) Do not connect, disconnect the module in the “ Power On” condition.
- (b) Power supply should always be turned on/off by following item 6.3  
“ Power on/off sequence “.
- (c) Module has high frequency circuits. Sufficient suppression to the electromagnetic interference shall be done by system manufacturers. Grounding and shielding methods may be important to minimize the interference.
- (d) The cable between the back-light connector and its inverter power supply shall be a minimized length and be connected directly . The longer cable between the back-light and the inverter may cause lower luminance of lamp(CCFT) and may require higher startup voltage (Vs).
- (e) The standard limited warranty is only applicable when the module is used for general notebook applications. If used for purposes other than as specified, SEC is not to be held reliable for the defective operations. It is strongly recommended to contact SEC to find out fitness for a particular purpose.

## 4. OTHERS

- (a) Ultra-violet ray filter is necessary for outdoor operation.
- (b) Avoid condensation of water. It may result in improper operation or disconnection of electrode.
- (c) Do not exceed the absolute maximum rating value. ( the supply voltage variation, input voltage variation, variation in part contents and environmental temperature, so on)  
Otherwise the module may be damaged.
- (d) If the module displays the same pattern continuously for a long period of time, it can be the situation when the image “sticks” to the screen.
- (e) This module has its circuitry PCB's on the rear side and should be handled carefully in order not to be stressed.

**Samsung Secret**

<b>Doc.No.</b>	LTN141WD-L07	<b>Rev.No</b>	04-P01-S-070115	<b>Page</b>	30 / 33
----------------	--------------	---------------	-----------------	-------------	---------



Byte (hex)	Field Name and Comments	Value (hex)	Value (binary)
0	Header	00	00000000
1	Header	FF	11111111
2	Header	FF	11111111
3	Header	FF	11111111
4	Header	FF	11111111
5	Header	FF	11111111
6	Header	FF	11111111
7	Header	00	00000000
8	EISA manufacture code = 3 Character ID	4C	01001100
9	EISA manufacture code (Compressed ASCII)	A3	10100011
0A	Panel Supplier Reserved – Product Code	57	01010111
0B	Panel Supplier Reserved – Product Code	44	01000100
0C	LCD module Serial No - Preferred but Optional (“0” if not used)	00	00000000
0D	LCD module Serial No - Preferred but Optional (“0” if not used)	00	00000000
0E	LCD module Serial No - Preferred but Optional (“0” if not used)	00	00000000
0F	LCD module Serial No - Preferred but Optional (“0” if not used)	00	00000000
10	Week of manufacture	00	00000000
11	Year of manufacture	10	00010000
12	EDID structure version # = 1	01	00000001
13	EDID revision # = 3	03	00000011
14	Video I/P definition = Digital I/P (80h)	80	10000000
15	Max H image size = (Rounded to cm)	1E	00011110
16	Max V image size = (Rounded to cm)	13	00010011
17	Display gamma = (gamma × 100) - 100 = Example: (2.2 × 100) - 100 = 120	78	01111000
18	Feature support (no DPMS, Active off, RGB, timing BLK 1)	0A	00001010
19	Red/Green Lowbit (R&Ry/G&Gy)	87	10000111
1A	Blue/White Lowbit (B&By/W&Wy)	F5	11110101
1B	Red X Rx=0.xxx	94	10010100
1C	Red Y Ry=0.xxx	57	01010111
1D	Green X Gx=0.xxx	4F	01001111
1E	Green Y Gy=0.xxx	8C	10001100
1F	Blue X Bx=0.xxx	27	00100111
20	Blue Y By=0.xxx	27	00100111
21	White X Wx=0.xxx	50	01010000
22	White Y Wy=0.xxx	54	01010100
23	Established timings 1 (00h if not used)	00	00000000
24	Established timings 2 (00h if not used)	00	00000000
25	Manufacturer's timings (00h if not used)	00	00000000

Samsung Secret

26	Standard timing ID1 (01h if not used)	01	00000001
27	Standard timing ID1 (01h if not used)	01	00000001
28	Standard timing ID2 (01h if not used)	01	00000001
29	Standard timing ID2 (01h if not used)	01	00000001
2A	Standard timing ID3 (01h if not used)	01	00000001
2B	Standard timing ID3 (01h if not used)	01	00000001
2C	Standard timing ID4 (01h if not used)	01	00000001
2D	Standard timing ID4 (01h if not used)	01	00000001
2E	Standard timing ID5 (01h if not used)	01	00000001
2F	Standard timing ID5 (01h if not used)	01	00000001
30	Standard timing ID6 (01h if not used)	01	00000001
31	Standard timing ID6 (01h if not used)	01	00000001
32	Standard timing ID7 (01h if not used)	01	00000001
33	Standard timing ID7 (01h if not used)	01	00000001
34	Standard timing ID8 (01h if not used)	01	00000001
35	Standard timing ID8 (01h if not used)	01	00000001
36	Pixel Clock/10,000 (LSB)	48	01001000
37	Pixel Clock/10,000 (MSB)	25	00100101
38	Horizontal Active = xxx pixels (lower 8 bits)	A0	10100000
39	Horizontal Blanking (Thbp) = xxx pixels (lower 8 bits)	30	00110000
3A	Horizontal Active/Horizontal blanking (Thbp) (upper:4:4 bits)	51	01010001
3B	Vertical Active = xxx lines	84	10000100
3C	Vertical Blanking (Tvbp) = xxx lines (DE Blanking typ. for DE only panels)	0C	00001100
3D	Vertical Active : Vertical Blanking (Tvbp) (upper:4:4 bits)	30	00110000
3E	Horizontal Sync, Offset (Thfp) = xxx pixels	40	01000000
3F	Horizontal Sync, Pulse Width = xxx pixels	20	00100000
40	Vertical Sync, Offset (Tvfp) = xx lines Sync Width = xx lines	33	00110011
41	Horizontal Vertical Sync Offset/Width upper 2 bits	00	00000000
42	Horizontal Image Size =xxx mm	2F	00101111
43	Vertical image Size = xxx mm	BE	10111110
44	Horizontal Image Size / Vertical image size	10	00010000
45	Horizontal Border = 0 (Zero for Notebook LCD)	00	00000000
46	Vertical Border = 0 (Zero for Notebook LCD)	00	00000000
47	Non-interlaced, Normal, no stereo, Separate sync, H/V pol Negatives, <b>DE only</b> <b>note: LSB is set to "1" if panel is DE-timing only. H/V can be ignored.</b>	19	00011001
48	Manufacturer Specified (Timing)	00	00000000
49		00	00000000
4A		00	00000000
4B		0F	00001111
4C		00	00000000
4D		Value=HSPWmin / 2	00
4E	Value=HSPWmax / 2	00	00000000
4F	Value=Thbpmin / 2	00	00000000
50	Value=Thbpmax / 2	00	00000000
51	Value=VSPWmin / 2	00	00000000
52	Value=VSPWmax / 2	00	00000000
53	Value=TVbpmin / 2	00	00000000
54	Value=TVbpmax / 2	00	00000000
55	Thpmin=value*2 + Hapixelclks	78	01111000
56	Thpmax=value*2 + Hapixelclks	E6	11100110
57	Tvpmin=value*2 + Valines	02	00000010
58	Tvpmax=value*2 + Valines	23	00100011
59	Module "A" Revision = Example: 00, 01, 02, 03, etc.	00	00000000

Samsung Secret

5A	Flag	00	00000000
5B	Flag	00	00000000
5C	Flag	00	00000000
5D	Dummy Descriptor	FE	11111110
5E	Flag	00	00000000
5F	Dell P/N 1 <sup>st</sup> Character	47	01000111
60	Dell P/N 2 <sup>nd</sup> Character	52	01010010
61	Dell P/N 3 <sup>rd</sup> Character	36	00110110
62	Dell P/N 4 <sup>th</sup> Character	31	00110001
63	Dell P/N 5 <sup>th</sup> Character	39	00111001
64	LCD Supplier EEDID Revision #	00	00000000
65	Manufacturer P/N	31	00110001
66	Manufacturer P/N	34	00110100
67	Manufacturer P/N	31	00110001
68	Manufacturer P/N	57	01010111
69	Manufacturer P/N	44	01000100
6A	Manufacturer P/N	0A	00001010
6B	Manufacturer P/N (If <13 char, then terminate with ASCII code 0Ah, set remaining char = 20h)	20	00100000
6C	Flag	00	00000000
6D	Flag	00	00000000
6E	Flag	00	00000000
6F	Data Type Tag:	FE	11111110
70	Flag	00	00000000
71	SMBUS Value = XX nits	17	00010111
72	SMBUS Value = XX nits	36	00110110
73	SMBUS Value = XX nits	42	01000010
74	SMBUS Value = XX nits	4A	01001010
75	SMBUS Value = XX nits	6E	01101110
76	SMBUS Value = XXX nits	8E	10001110
77	SMBUS Value = XXX nits	B4	10110100
78	SMBUS Value = maxnits (Typically = 00h, XXX nits)	FF	11111111
79	Number of LVDS receiver chips = '01' or '02'	02	00000010
7A	BIST Enable: Yes = '01' No = '00'	01	00000001
7B	(If <13 char, then terminate with ASCII code 0Ah, set remaining char = 20h)	0A	00001010
7C	(If <13 char, then terminate with ASCII code 0Ah, set remaining char = 20h)	20	00100000
7D	(If <13 char, then terminate with ASCII code 0Ah, set remaining char = 20h)	20	00100000
7E	Extension flag (# of optional 128 EDID extension blocks to follow, Typ = 0)	00	00000000
7F	Checksum (The 1-byte sum of all 128 bytes in this EDID block shall = 0)	03	00000011

Samsung Secret