



**SAMSUNG**

**ELECTRONICS**

Preliminary



TO :

DATE : Jun. 19. 2009.

**SAMSUNG TFT-LCD**

**MODEL NO. : LTN154AT12-401**

NOTE :

- Extension code [ -4 ] ; LTN154AT12-401
- Surface type [ **Anti-Glare** ]

Any Modification of Specification is not allowed without SEC's Permission.

**SAMSUNG ELECTRONICS CO., LTD.**



**Samsung Secret**

<b>Doc.No.</b>	LTN154AT12-401	<b>Rev.No</b>	04-P04-S-090619	<b>Page</b>	1 / 28
----------------	----------------	---------------	-----------------	-------------	--------

## CONTENTS

Revision History	----- ( 3 )
General Description	----- ( 4 )
1. Absolute Maximum Ratings	----- ( 5 )
1.1 Absolute Ratings of environment	
1.2 Electrical Absolute Ratings	
2. Optical Characteristics	----- ( 7 )
3. Electrical Characteristics	----- ( 10 )
3.1 TFT LCD Module	
3.2 Backlight Unit	
4. Block Diagram	----- ( 13 )
4.1 TFT LCD Module	
5. Input Terminal Pin Assignment	----- ( 14 )
5.1 Input Signal & Power	
5.2 LVDS Interface	
5.3 Timing Diagrams of LVDS For Transmitting	
5.4 Input Signals, Basic Display Colors and Gray Scale of Each Color.	
5.5 Pixel format	
5.6 LED FPC Connector & Pin Assignment	
6. Interface Timing	----- ( 21 )
6.1 Timing Parameters	
6.2 Timing Diagrams of interface Signal	
6.3 Power ON/OFF Sequence	
7. Outline Dimension	----- ( 23 )
8. Packing	----- ( 25 )
9. Markings & Others	----- ( 26 )
10. General Precaution	----- ( 28 )
11. EDID	----- ( 30 )

**Samsung Secret**

# REVISION HISTORY

Preliminary

Date	Revision No.	Page	Summary
Oct. 31. 2008	P00	All	LTN154AT12-X Model spec was issued first
Nov.17.2008	P01	All	LTN154AT12-401 Model name fixed.
Dec.26.2008	P02	20	FPC Connector pin map was updated .
Jan. 7. 2009	P03	12 24 26 29	LED forward current was updated. Outline drawing was updated. Product Markings and Others( Error-typo correction ) EDID was updated
Jan.9.2009	P04	12 24	Back-light Unit was updated Outline drawing was updated.

**Samsung Secret**

## GENERAL DESCRIPTION

### DESCRIPTION

LTN154AT12 is a color active matrix TFT (Thin Film Transistor) liquid crystal display (LCD) that uses amorphous silicon TFT as a switching devices. This model is composed of a TFT LCD panel, a driver circuit and a backlight unit. The resolution of a 15.4" contains 1,280 x 800 pixels and can display up to 262,144 colors. 6 O'clock direction is the Optimum viewing angle.

### FEATURES

- High contrast ratio, high aperture structure
- 1280 x 800 pixels resolution
- Low power consumption
- Fast Response
- DE(Data enable) only mode
- 3.3V LVDS Interface
- Onboard EEDID chip
- LED BLU
- Color gamut 45%

### APPLICATIONS

- Notebook PC
- If the usage of this product is not for PC application, but for others, please contact SEC.

## GENERAL INFORMATION

Item	Specification	Unit	Note
Display area	331.2(H) x 207.0(V) (15.4" diagonal )	mm	
Driver element	a-Si TFT active matrix		
Display colors	262,144		
Number of pixel	1280 x RGB(3) x 800	pixel	16 : 10
Pixel arrangement	RGB vertical stripe		
Pixel pitch	0.2588(H) x 0.2588(V) (TYP.)	mm	
Display Mode	Normally white		
Surface treatment	HAZE 25, HARD-COATING 3H, AG		

**Samsung Secret**

## Mechanical Information

Item		Min.	Typ.	Max.	Unit	Note
Module size	Horizontal (H)	343.5	344.0	344.5	mm	
	Vertical (V)	221.5	222.0	222.6	mm	
	Depth (D)	-	-	6.5	mm	(1)
Weight		-	560	(575)	g	

Note (1) Measurement condition of outline dimension

- . Equipment : Vernier Calipers
- . Push Force : 500g · f (minimum)

## 1. ABSOLUTE MAXIMUM RATINGS

### 1.1 ENVIRONMENTAL ABSOLUTE RATINGS

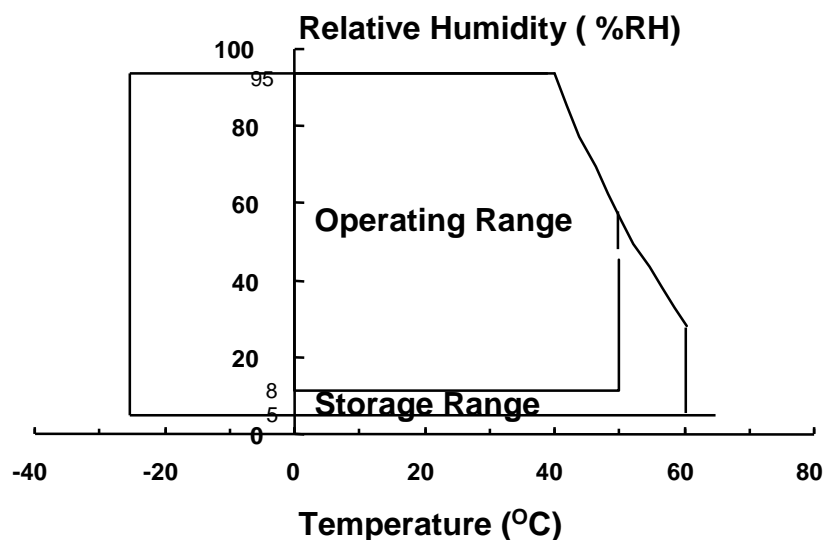
Item	Symbol	Min.	Max.	Unit	Note
Storage temperate	$T_{STG}$	-20	60	°C	(1)
Operating temperate (Temperature of glass surface)	$T_{OPR}$	0	50	°C	(1)
Shock ( non-operating )	Snop	-	210	G	(2),(5)
			50		(3),(5)
Vibration (non-operating)	Vnop	-	2.41	G	(4),(5)

Note (1) Temperature and relative humidity range are shown in the figure below.

95 % RH Max. (  $40\text{ }^{\circ}\text{C} \geq T_a$  )

Maximum wet - bulb temperature at  $39\text{ }^{\circ}\text{C}$  or less. (  $T_a > 40\text{ }^{\circ}\text{C}$  ) No condensation.

- (2) 3ms, half sine wave, one time for  $\pm X, \pm Y, \pm Z$ .
- (3) 18ms, Trapezoidal wave, one time for  $\pm X, \pm Y, \pm Z$ .
- (4) 5~500 Hz, Random vibration, 30 min for X,Y,Z.
- (5) At testing Vibration and Shock, the fixture in holding the Module to be tested have to be hard and rigid enough so that the Module would not be twisted or bent by the fixture.



**Samsung Secret**

## 1.2 ELECTRICAL ABSOLUTE RATINGS

## (1) TFT LCD MODULE

 $V_{DD} = 3.3V, V_{SS} = GND = 0V$ 

Item	Symbol	Min.	Max.	Unit	Note
Power Supply Voltage	$V_{DD}$	$V_{DD} - 0.3$	$V_{DD} + 0.3$	V	(1)
Logic Input Voltage	$V_{DD}$	$V_{DD} - 0.3$	$V_{DD} + 0.3$	V	(1)

Note (1) Within  $T_a$  ( $25 \pm 2$  °C )

Samsung Secret

## 2. OPTICAL CHARACTERISTICS

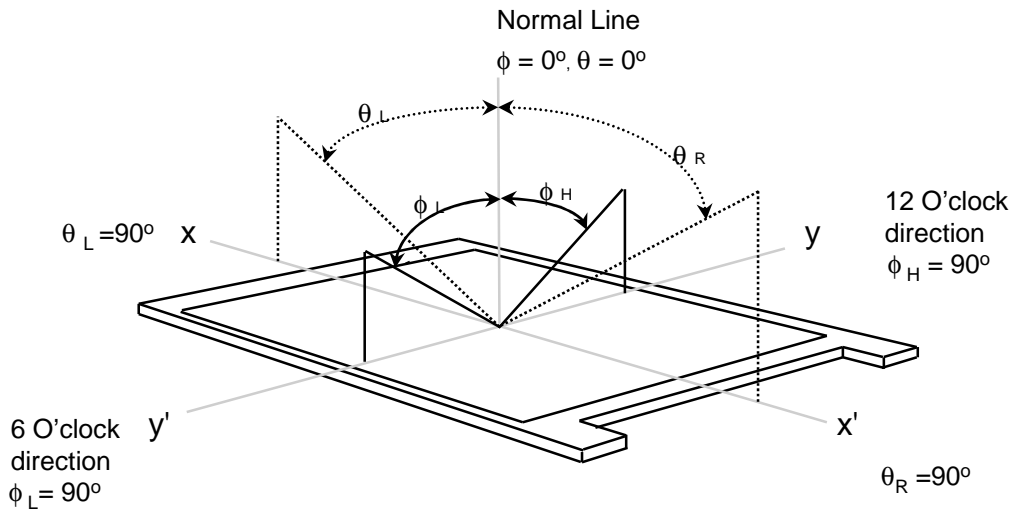
The following items are measured under stable conditions. The optical characteristics should be measured in a dark room or equivalent state with the methods shown in Note (5).  
Measuring equipment : TOPCON BM-5A and PR-650

\* Ta = 25 ± 2 °C, V<sub>DD</sub>=3.3V, fv= 60Hz, fd<sub>CLK</sub> = 72.2 MHz

Item	Symbol	Condition	Min.	Typ.	Max	Unit	Note
Contrast Ratio (5 Points)	CR		-	300	-	-	AG (1), (2), (5)
Response Time at Ta ( Rising + Falling )	T <sub>RT_BW</sub>		-	16	25	msec	(1), (3)
Average Luminance of White (5 Points)	Y <sub>L,AVE</sub>		190	220	-	cd/m <sup>2</sup>	(1), (4)
Color Chromaticity ( CIE )	Red	R <sub>x</sub>	(0.535)	(0.585)	(0.635)	-	(1), (5) PR-650
		R <sub>y</sub>	(0.291)	(0.341)	(0.391)		
	Green	G <sub>x</sub>	(0.292)	(0.342)	(0.392)		
		G <sub>y</sub>	(0.512)	(0.562)	(0.612)		
	Blue	B <sub>x</sub>	(0.101)	(0.151)	(0.201)		
		B <sub>y</sub>	(0.063)	(0.113)	(0.163)		
	White	W <sub>x</sub>	0.283	0.313	0.343		
		W <sub>y</sub>	0.299	0.329	0.359		
Viewing Angle	Hor.	θ <sub>L</sub>	-	45	-	Degrees	(1), (5) BM-5A
		θ <sub>H</sub>	-	45	-		
	Ver.	φ <sub>H</sub>	-	15	-		
		φ <sub>L</sub>	-	35	-		
Color gamut			45%		%		
13 Points White Variation	δ <sub>L</sub>		60%	-	(1.7)	-	(6)
5 Points White Variation	δ <sub>L</sub>		80%	-	-	%	(6)

**Samsung Secret**

Note 1) Definition of Viewing Angle : Viewing angle range(  $10 \leq C/R$ ,  $100 \leq C/R$  )

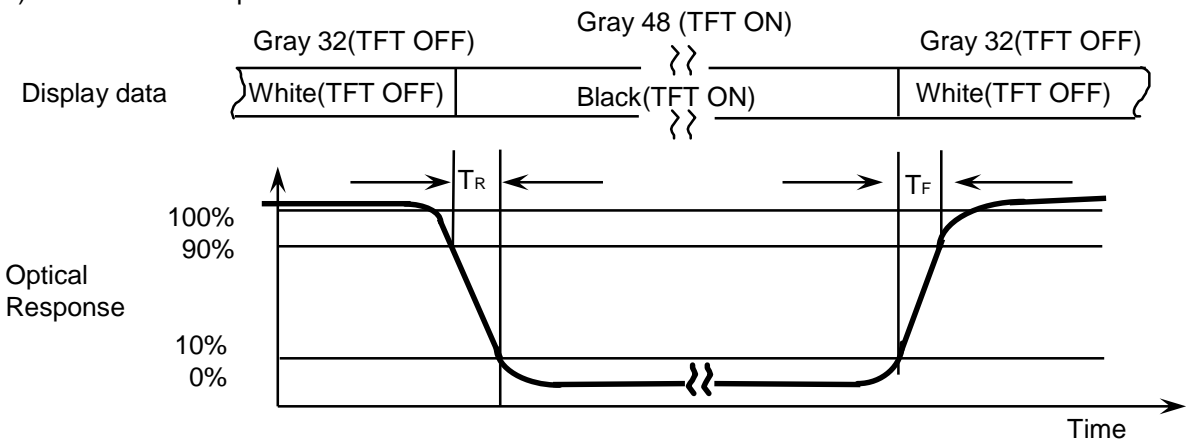


Note 2) Definition of Contrast Ratio (CR) : Ratio of gray max (Gmax) ,gray min (Gmin) at 5 points(4, 5, 7, 9, 10)

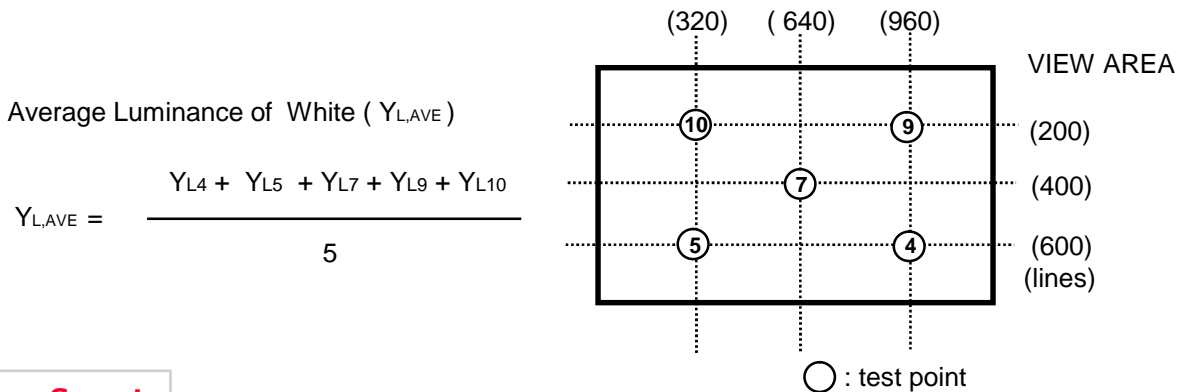
$$CR = \frac{CR(4) + CR(5) + CR(7) + CR(9) + CR(10)}{5}$$

Points : (4) , (5) , (7) , (9) , (10) at the figure of Note (6).

Note 3) Definition of Response time :



Note 4) Definition of Average Luminance of White : measure the luminance of white at 5 points.

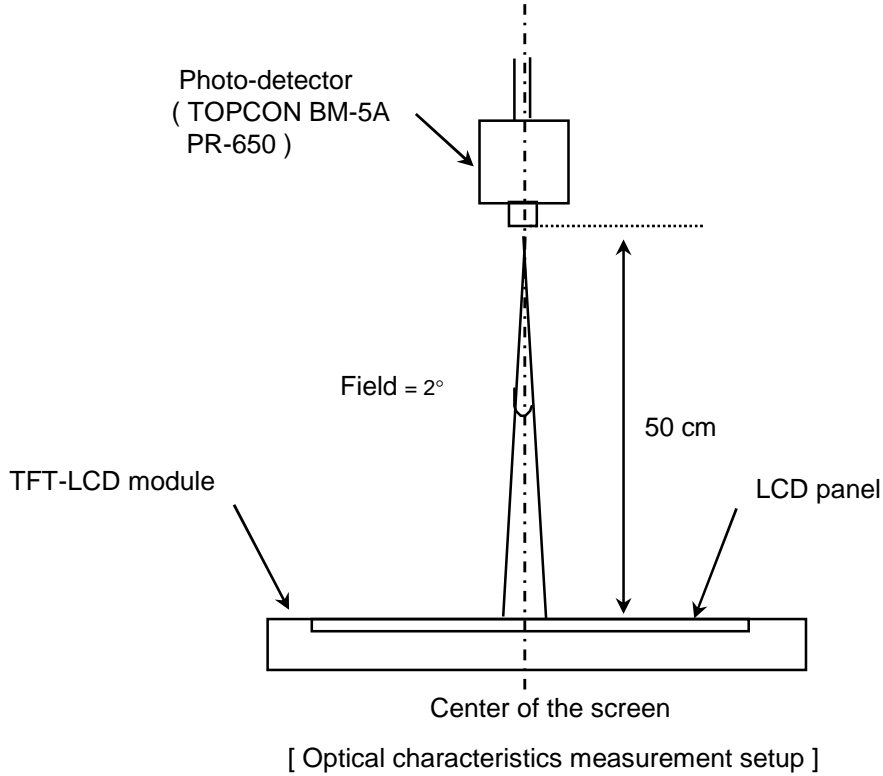


Samsung Secret



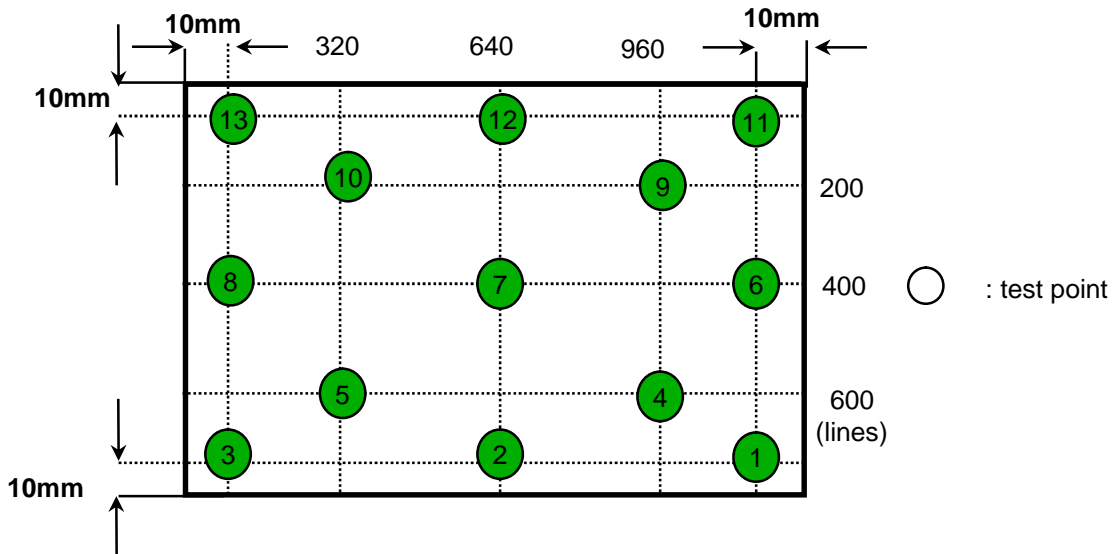
Note 5) After stabilizing and leaving the panel alone at a given temperature for 30 min , the measurement should be executed. Measurement should be executed in a stable, windless, and dark room. 30 min after lighting the backlight. This should be measured in the center of screen.

Environment condition :  $T_a = 25 \pm 2 \text{ }^\circ\text{C}$



Note 6) Definition of 13 points white variation ( $\delta L$ ), CR variation( $C_{VER}$ ) [ ① ~ ⑬ ]

$$\delta L = \frac{\text{Maximum luminance of 13 points}}{\text{Minimum luminance of 13 points}}$$



**Samsung Secret**

### 3. ELECTRICAL CHARACTERISTICS

#### 3.1 TFT LCD MODULE

Ta= 25 ± 2°C

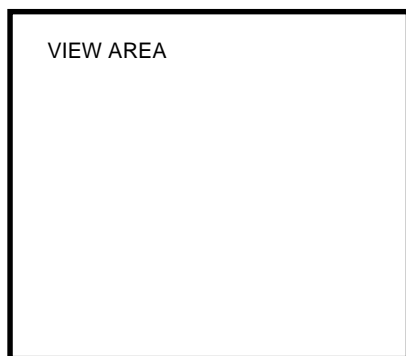
Item	Symbol	Min.	Typ.	Max.	Unit	Note	
Voltage of Power Supply	V <sub>DD</sub>	3.0	3.3	3.6	V		
Differential Input Voltage for LVDS Receiver Threshold	High	V <sub>IH</sub>	-	-	+100	mV	V <sub>CM</sub> = +1.2V
	Low	V <sub>IL</sub>	-100	-	-	mV	
Vsync Frequency	f <sub>v</sub>	-	(60)	-	Hz		
Hsync Frequency	f <sub>H</sub>	-	(50.04)	-	KHz		
Main Frequency	f <sub>DCLK</sub>	-	(72.2)	(85)	MHz		
Rush Current	I <sub>RUSH</sub>	-	-	(1.5)	A	(4)	
Current of Power Supply	White	I <sub>DD</sub>	-	(300)	-	mA	(2),(3)*a
	Mosaic		-	(350)	-	mA	(2),(3)*b
	V. stripe		-	(450)	(520)	mA	(2),(3)*c

Note (1) Display data pins and timing signal pins should be connected.( GND = 0V )

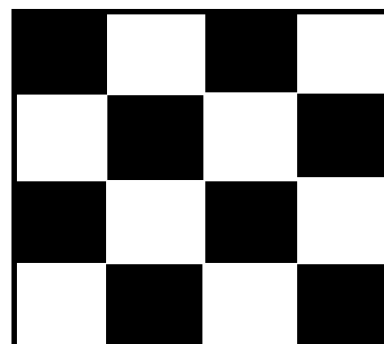
(2) f<sub>v</sub> = 60Hz, f<sub>DCLK</sub> = 72.2MHz, V<sub>DD</sub> = 3.3V , DC Current.

(3) Power dissipation pattern

\*a) White Pattern

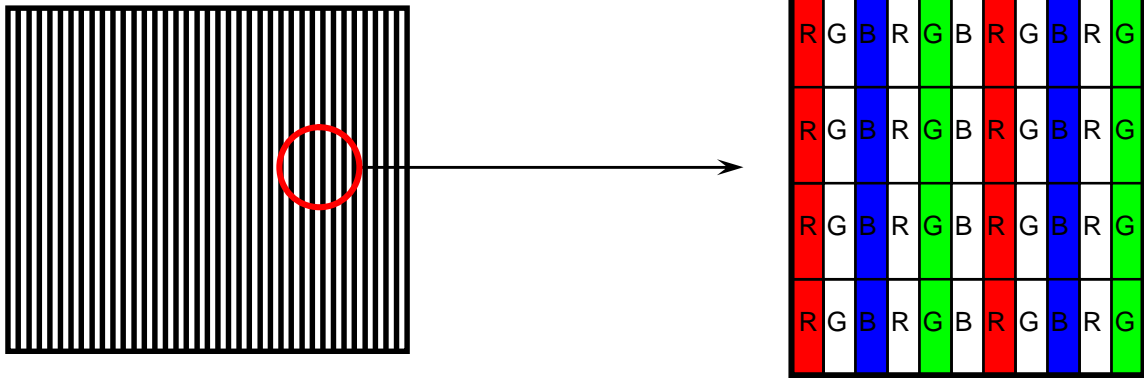


\*b) Mosaic Pattern

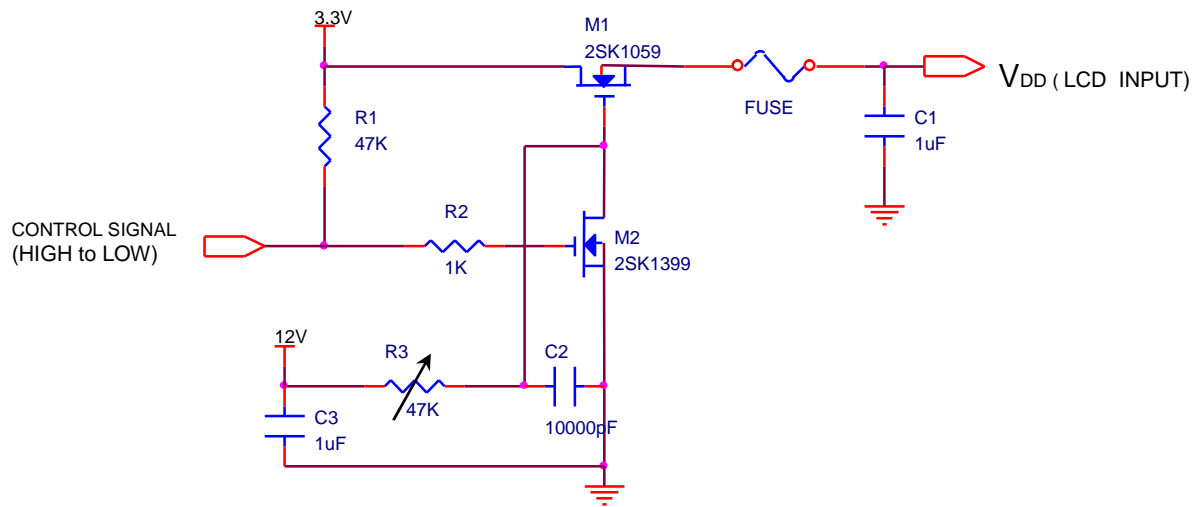


**Samsung Secret**

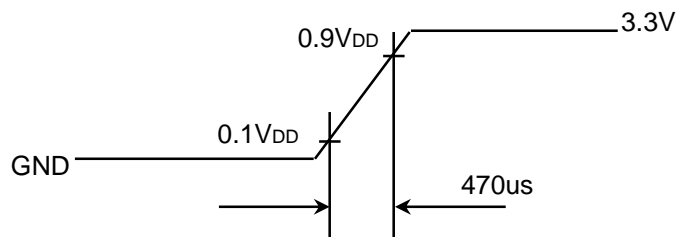
\*c) 1dot Vertical stripe pattern



4) Rush current measurement condition



$V_{DD}$  rising time is 470us



**Samsung Secret**

## 3.2 BACK-LIGHT UNIT

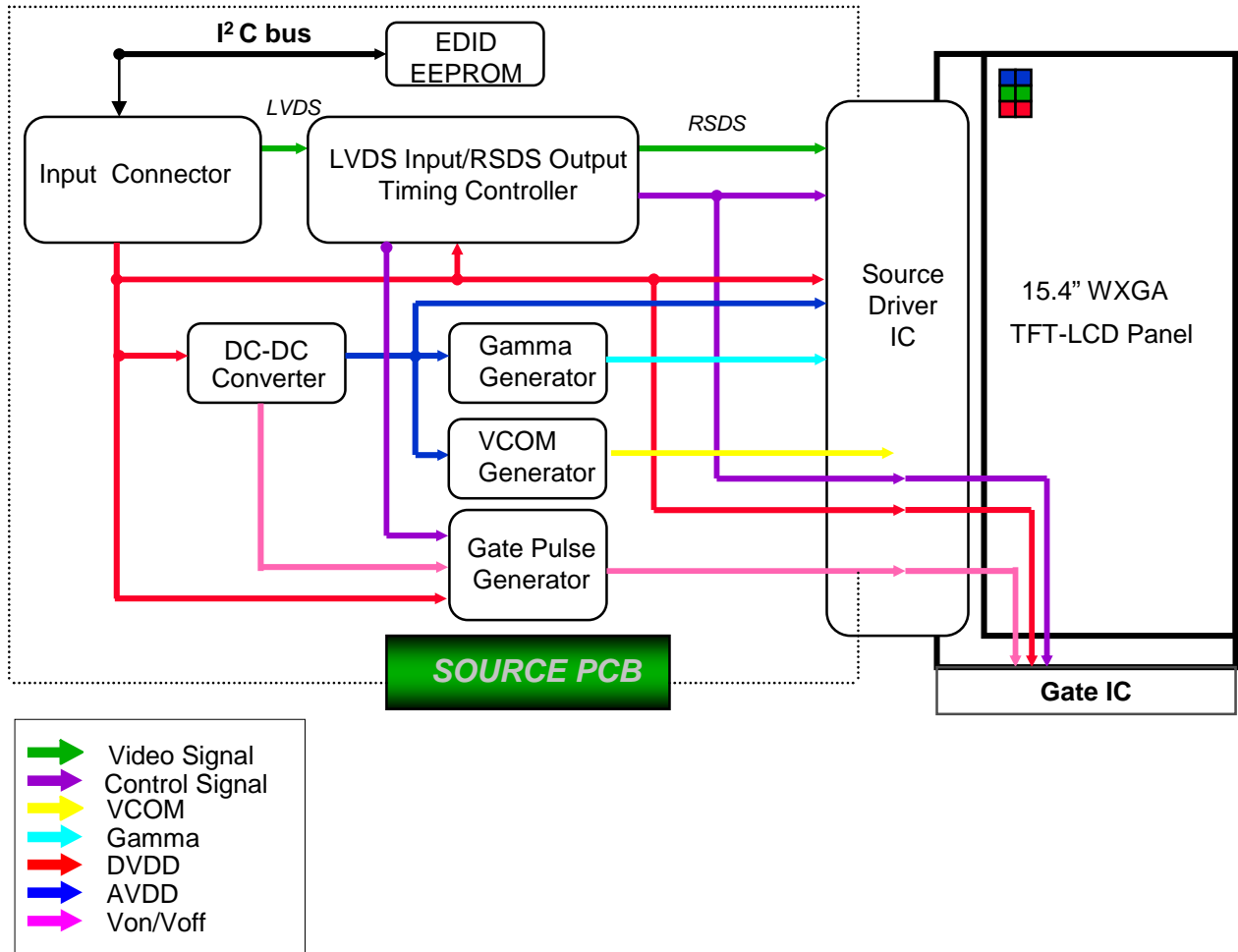
Ta= 25 ± 2 °C

Item	Symbol	Min.	Typ.	Max.	Unit	Note
LED Forward Current	IF	(18)	(20)	(22)	mA	
LED Forward Voltage	VF	(3.0)	(3.2)	(3.4)	V	
LED Array Voltage	VP	(24.0)	(25.6)	(27.2)	V	VF X8 LEDs
Power Consumption	P	(2.6)	(3.1)	(3.6)	W	IF X VF X 48 LEDs (w/o Converter)
Operating Life Time	Hr	10,000	-	-	Hour	

Samsung Secret

## 4. BLOCK DIAGRAM

### 4.1 TFT LCD Module



**Samsung Secret**

## 5. INPUT TERMINAL PIN ASSIGNMENT

5.1. Input Signal & Power (LVDS, Connector : JAE FI-XB30SRL-HF11 or compatible )  
Mating Connector : JAE FI-XB30Sx-HFxx or compatible)

No.	Symbol	Function	Polarity	Remarks
1	VSS	Ground		
2	VDD	POWER SUPPLY +3.3V		
3	VDD	POWER SUPPLY +3.3V		
4	VEEDID	DDC 3.3V Power		
5	BIST	Panel BIST enable		
6	CLKEDID	DDC Clock		
7	DATAEDID	DDC data		
8	RxIN0-	LVDS Differential Data INPUT (R0-R5,G0)	Negative	
9	RxIN0+	LVDS Differential Data INPUT (R0-R5,G0)	Positive	
10	GND	Ground		
11	RxIN1-	LVDS Differential Data INPUT (G1-G5,B0-B1)	Negative	
12	RxIN1+	LVDS Differential Data INPUT (G1-G5,B0-B1)	Positive	
13	GND	Ground		
14	RxIN2-	LVDS Differential Data INPUT (B2-B5,Sync,DE)	Negative	
15	RxIN2+	LVDS Differential Data INPUT (B2-B5,Sync,DE)	Positive	
16	Vss	Ground		
17	CiKIN-	LVDS Differential Clock INPUT	Negative	
18	CiKIN+	LVDS Differential Clock INPUT	Positive	
19	Vss	Ground		
20	NC	No connect		
21	NC	No connect		
22	NC	No connect		
23	NC	No connect		
24	NC	No connect		
25	NC	No connect		
26	NC	No connect		
27	NC	No connect		
28	NC	No connect		
29	NC	No connect		
30	NC	No connect		

**Samsung Secret**

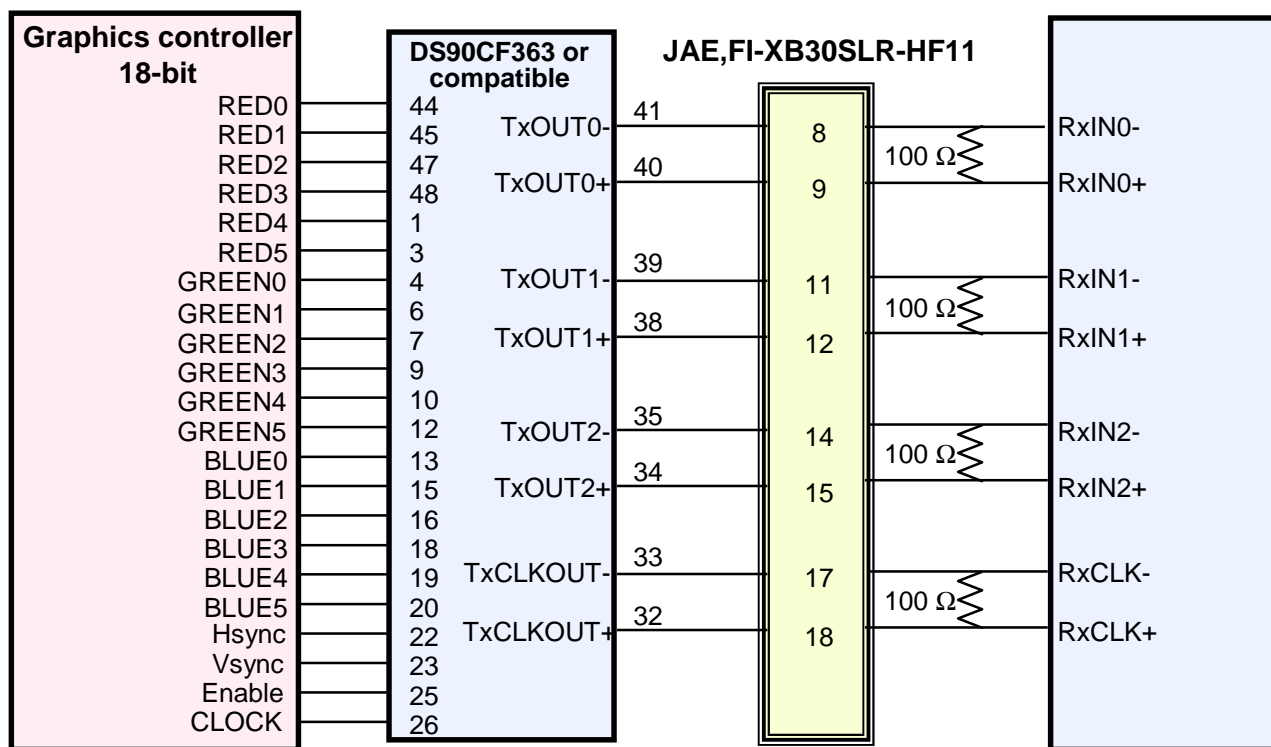
## 5.2 LVDS Interface : Transmitter DS90CF363 or Compatible

## LVDS

Pin No.	Name	RGB Signal	Pin No.	Name	RGB Signal
44	TxIN0	RO0	12	TxIN11	GO5
45	TxIN1	RO1	13	TxIN12	BO0
47	TxIN2	RO2	15	TxIN13	BO1
48	TxIN3	RO3	16	TxIN14	BO2
1	TxIN4	RO4	18	TxIN15	BO3
3	TxIN5	RO5	19	TxIN16	BO4
4	TxIN6	GO0	20	TxIN17	BO5
6	TxIN7	GO1	22	TxIN18	Hsync
7	TxIN8	GO2	23	TxIN19	Vsync
9	TxIN9	GO3	25	TxIN20	DE
10	TxIN10	GO4	26	TxCLK IN	Clock

Samsung Secret

### LVDS Interface



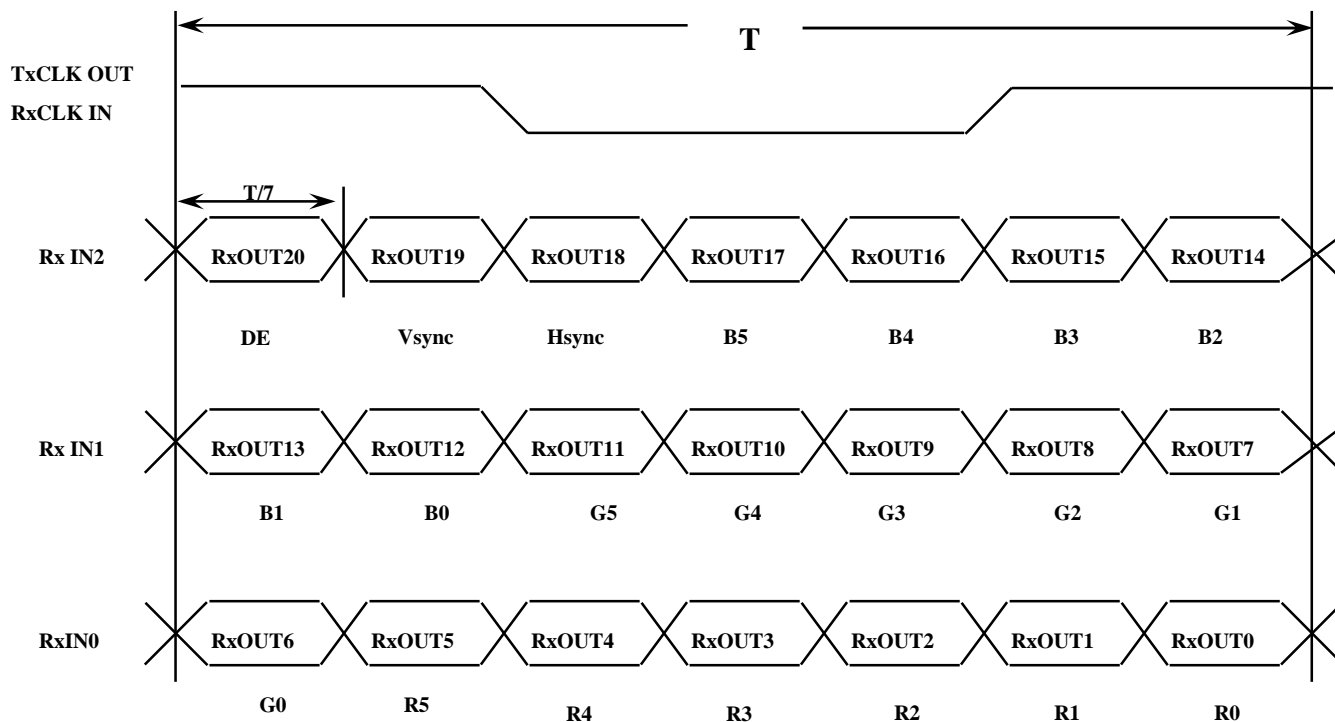
Note : The LCD Module uses a 100ohm resistor between positive and negative lines of each receiver input.

**Samsung Secret**



### 5.3 Timing Diagrams of LVDS For Transmission

#### LVDS Receiver : Integrated T-CON



**Samsung Secret**

### 5.4 Input Signals, Basic Display Colors and Gray Scale of Each Color

Color	Display	Data Signal																Gray Scale Level	
		Red					Green					Blue							
		R0	R1	R2	R3	R4	R5	G0	G1	G2	G3	G4	G5	B0	B1	B2	B3		45
Basic Colors	Black	0	0	0	0	0	0	0	0	0	0	0	0	0	0	0	0	0	-
	Blue	0	0	0	0	0	0	0	0	0	0	0	0	1	1	1	1	1	-
	Green	0	0	0	0	0	0	1	1	1	1	1	1	0	0	0	0	0	-
	Cyan	0	0	0	0	0	0	1	1	1	1	1	1	1	1	1	1	1	-
	Red	1	1	1	1	1	1	0	0	0	0	0	0	0	0	0	0	0	-
	Magenta	1	1	1	1	1	1	0	0	0	0	0	0	1	1	1	1	1	-
	Yellow	1	1	1	1	1	1	1	1	1	1	1	1	0	0	0	0	0	-
	White	1	1	1	1	1	1	1	1	1	1	1	1	1	1	1	1	1	-
Gray Scale Of Red	Black	0	0	0	0	0	0	0	0	0	0	0	0	0	0	0	0	0	R0
	Dark	1	0	0	0	0	0	0	0	0	0	0	0	0	0	0	0	0	R1
	↑	0	1	0	0	0	0	0	0	0	0	0	0	0	0	0	0	0	R2
	:	:	:	:	:	:	:	:	:	:	:	:	:	:	:	:	:	:	R3-R60
	:	:	:	:	:	:	:	:	:	:	:	:	:	:	:	:	:	:	
	↓	1	0	1	1	1	1	0	0	0	0	0	0	0	0	0	0	0	R61
	Light	0	1	1	1	1	1	0	0	0	0	0	0	0	0	0	0	0	R62
	Red	1	1	1	1	1	1	0	0	0	0	0	0	0	0	0	0	0	R63
Gray Scale Of Green	Black	0	0	0	0	0	0	0	0	0	0	0	0	0	0	0	0	0	G0
	Dark	0	0	0	0	0	0	1	0	0	0	0	0	0	0	0	0	0	G1
	↑	0	0	0	0	0	0	0	1	0	0	0	0	0	0	0	0	0	G2
	:	:	:	:	:	:	:	:	:	:	:	:	:	:	:	:	:	:	G3-G60
	:	:	:	:	:	:	:	:	:	:	:	:	:	:	:	:	:	:	
	↓	0	0	0	0	0	0	1	0	1	1	1	1	0	0	0	0	0	G61
	Light	0	0	0	0	0	0	0	1	1	1	1	1	0	0	0	0	0	G62
	Green	0	0	0	0	0	0	1	1	1	1	1	1	0	0	0	0	0	G63
Gray Scale Of Blue	Black	0	0	0	0	0	0	0	0	0	0	0	0	0	0	0	0	0	B0
	Dark	0	0	0	0	0	0	0	0	0	0	0	0	1	0	0	0	0	B1
	↑	0	0	0	0	0	0	0	0	0	0	0	0	0	1	0	0	0	B2
	:	:	:	:	:	:	:	:	:	:	:	:	:	:	:	:	:	:	B3-B60
	:	:	:	:	:	:	:	:	:	:	:	:	:	:	:	:	:	:	
	↓	0	0	0	0	0	0	0	0	0	0	0	0	1	0	1	1	1	B61
	Light	0	0	0	0	0	0	0	0	0	0	0	0	0	1	1	1	1	B62
	Blue	0	0	0	0	0	0	0	0	0	0	0	0	1	1	1	1	1	B63

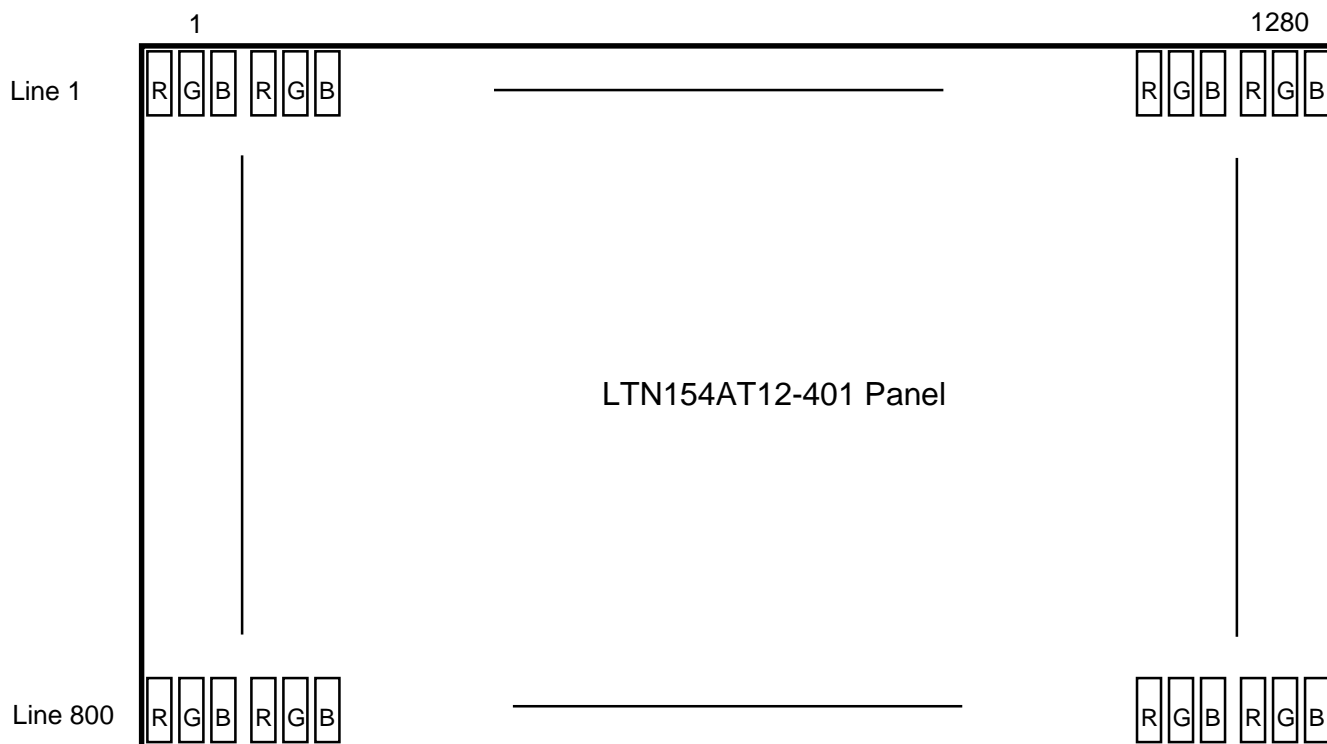
Note 1) Definition of gray :

Rn: Red gray, Gn: Green gray, Bn: Blue gray (n=gray level)

Note 2) Input signal: 0 =Low level voltage, 1=High level voltage

**Samsung Secret**

### 5.5 Pixel Format in the display



**Samsung Secret**

## 5.6 LED FPC Connector &amp; Pin Assignment

LED FPC Connector : FH33-12S-0.5SH(05)) or Compatible

Pin No.	Function
1	LCD channel 1 cathode
2	LCD channel 2 cathode
3	LCD channel 3 cathode
4	LCD channel 4 cathode
5	LCD channel 5 cathode
6	LCD channel 6 cathode
7	NC
8	NC
9	NC
10	LED power bus ( LED Anode)
11	LED power bus ( LED Anode)
12	LED power bus ( LED Anode)

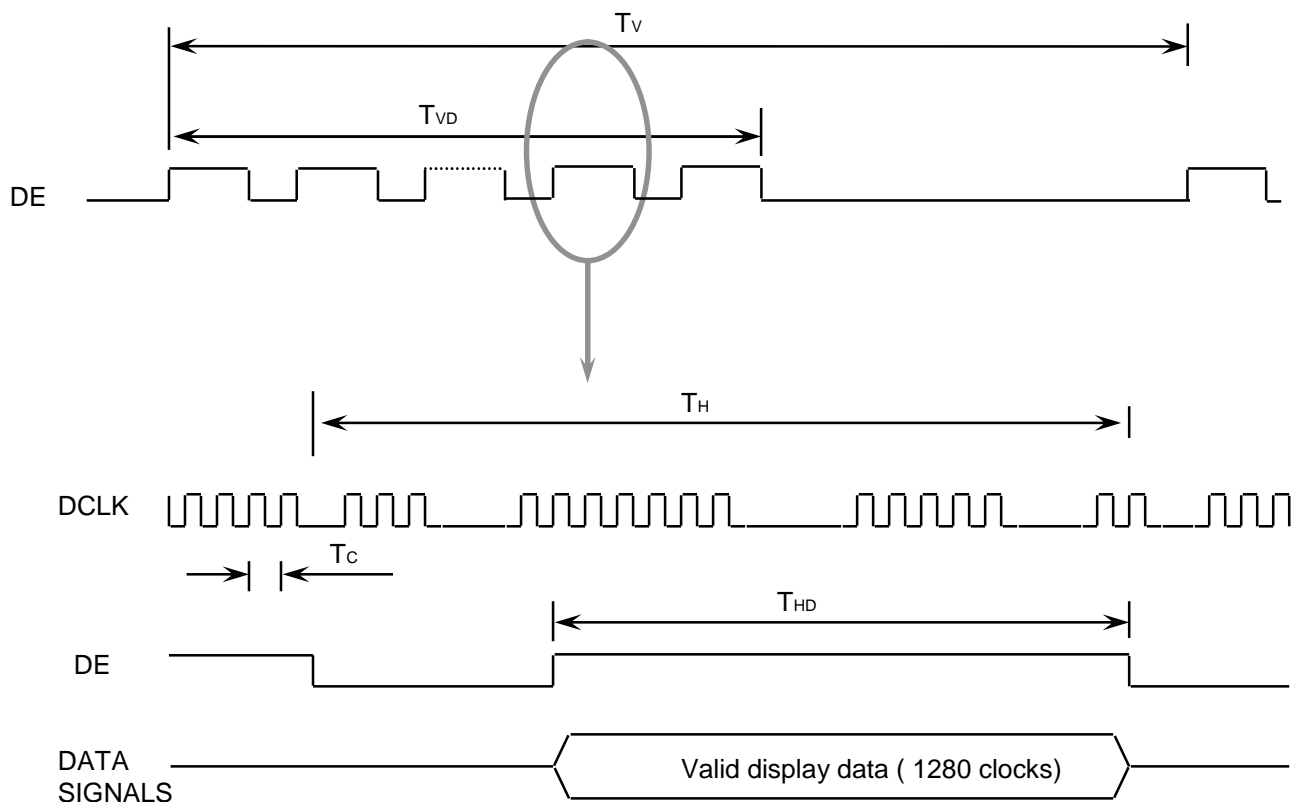
**Samsung Secret**

## 6. INTERFACE TIMING

### 6.1 Timing Parameters

Signal	Item	Symbol	Min.	Typ.	Max.	Unit	Note
Frame Frequency	Cycle	TV	804	816	1000	Lines	
Vertical Active Display Term	Display Period	TV <sub>D</sub>	-	800	-	Lines	
One Line Scanning Time	Cycle	TH	1350	1400	1550	Clocks	
Horizontal Active Display Term	Display Period	TH <sub>D</sub>	-	1280	-	Clocks	

### 6.2 Timing diagrams of interface signal

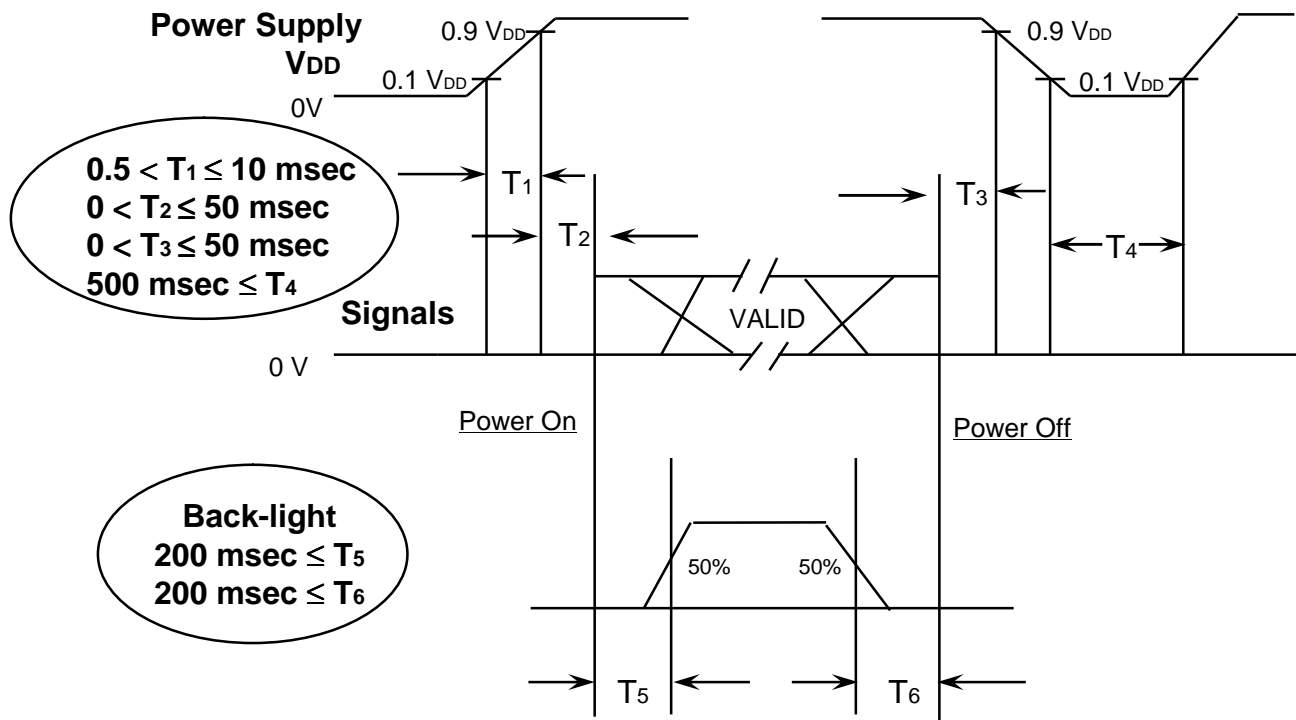


**Samsung Secret**

### 6.3 Power ON/OFF Sequence

Preliminary

: To prevent a latch-up or DC operation of the LCD module, the power on/off sequence should be as the diagram below.



#### Power ON/OFF Sequence

- T1 : Vdd rising time from 10% to 90%
- T2 : The time from Vdd to valid data at power ON.
- T3 : The time from valid data off to Vdd off at power Off.
- T4 : Vdd off time for Windows restart
- T5 : The time from valid data to B/L enable at power ON.
- T6 : The time from valid data off to B/L disable at power Off.

#### NOTE.

- (1) The supply voltage of the external system for the module input should be the same as the definition of  $V_{DD}$ .
- (2) Apply the lamp voltage within the LCD operation range. When the back-light turns on before the LCD operation or the LCD turns off before the back-light turns off, the display may momentarily become white.
- (3) In case of  $V_{DD} = \text{off level}$ , please keep the level of input signals on the low or keep a high impedance.
- (4) T4 should be measured after the module has been fully discharged between power off and on period.
- (5) Interface signal shall not be kept at high impedance when the power is on.

**Samsung Secret**

<b>Doc.No.</b>	LTN154AT12-401	<b>Rev.No</b>	04-P04-S-090619	<b>Page</b>	22 / 28
----------------	----------------	---------------	-----------------	-------------	---------

## 7. Mechanical Outline Dimension

Preliminary

It will be attached with PDF file

**Samsung Secret**

<b>Doc.No.</b>	LTN154AT12-401	<b>Rev.No</b>	04-P04-S-090619	<b>Page</b>	23 / 28
----------------	----------------	---------------	-----------------	-------------	---------

## 7. Mechanical Outline Dimension

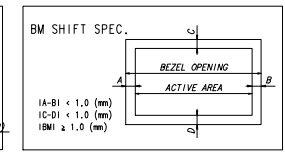
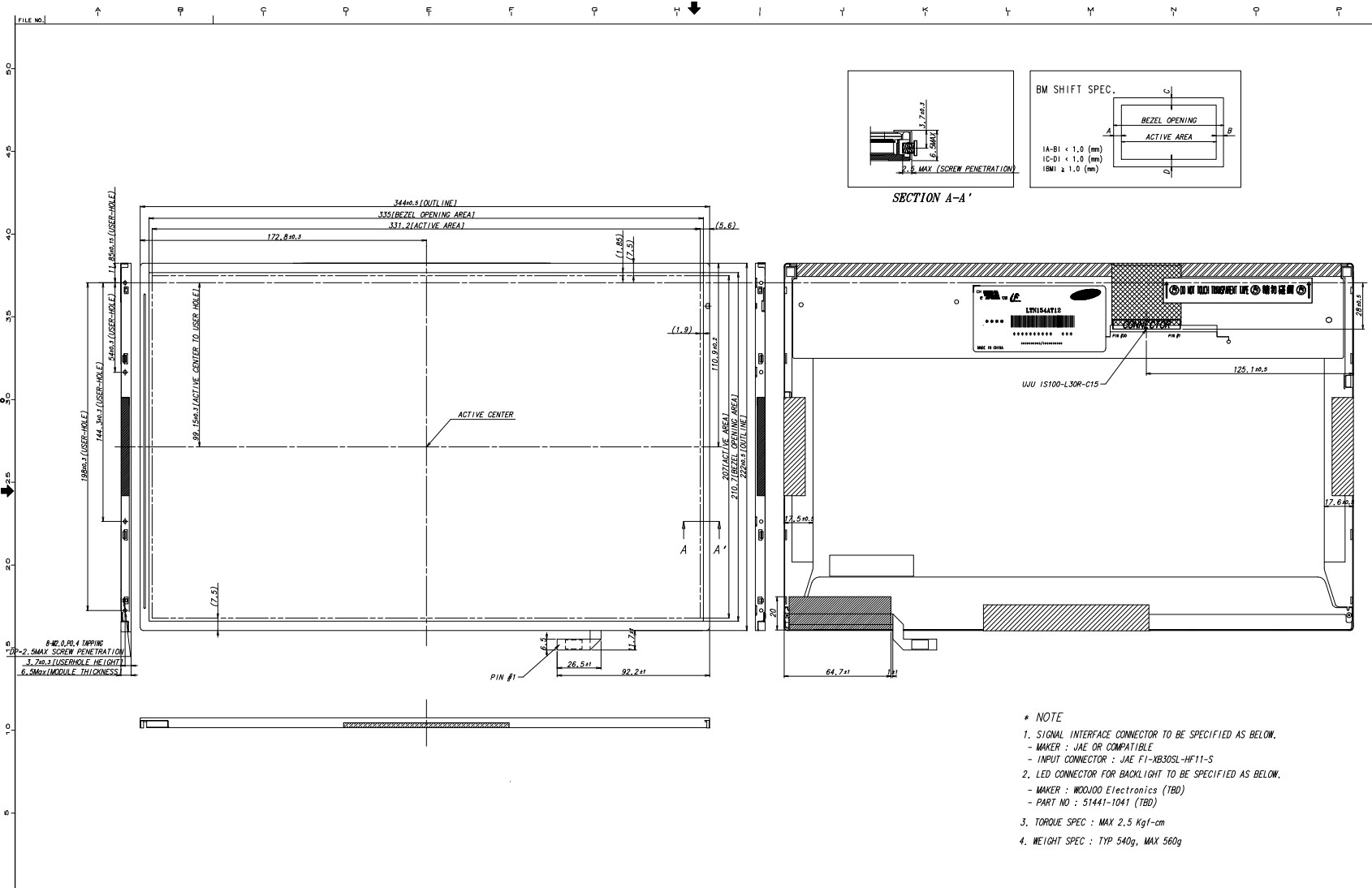
Preliminary

It will be attached with PDF file

**Samsung Secret**

<b>Doc.No.</b>	LTN154AT12-401	<b>Rev.No</b>	04-P04-S-090619	<b>Page</b>	24 / 28
----------------	----------------	---------------	-----------------	-------------	---------





SECTION A-A'

- \* NOTE
- SIGNAL INTERFACE CONNECTOR TO BE SPECIFIED AS BELOW.  
 - MAKER : JAE OR COMPATIBLE  
 - INPUT CONNECTOR : JAE FI-XB30SL-HF11-S
  - LED CONNECTOR FOR BACKLIGHT TO BE SPECIFIED AS BELOW.  
 - MAKER : WOOJOO Electronics (TBD)  
 - PART NO : 51441-1041 (TBD)
  - TORQUE SPEC : MAX 2.5 Kgf-cm
  - WEIGHT SPEC : TYP 540g, MAX 560g

REVISION

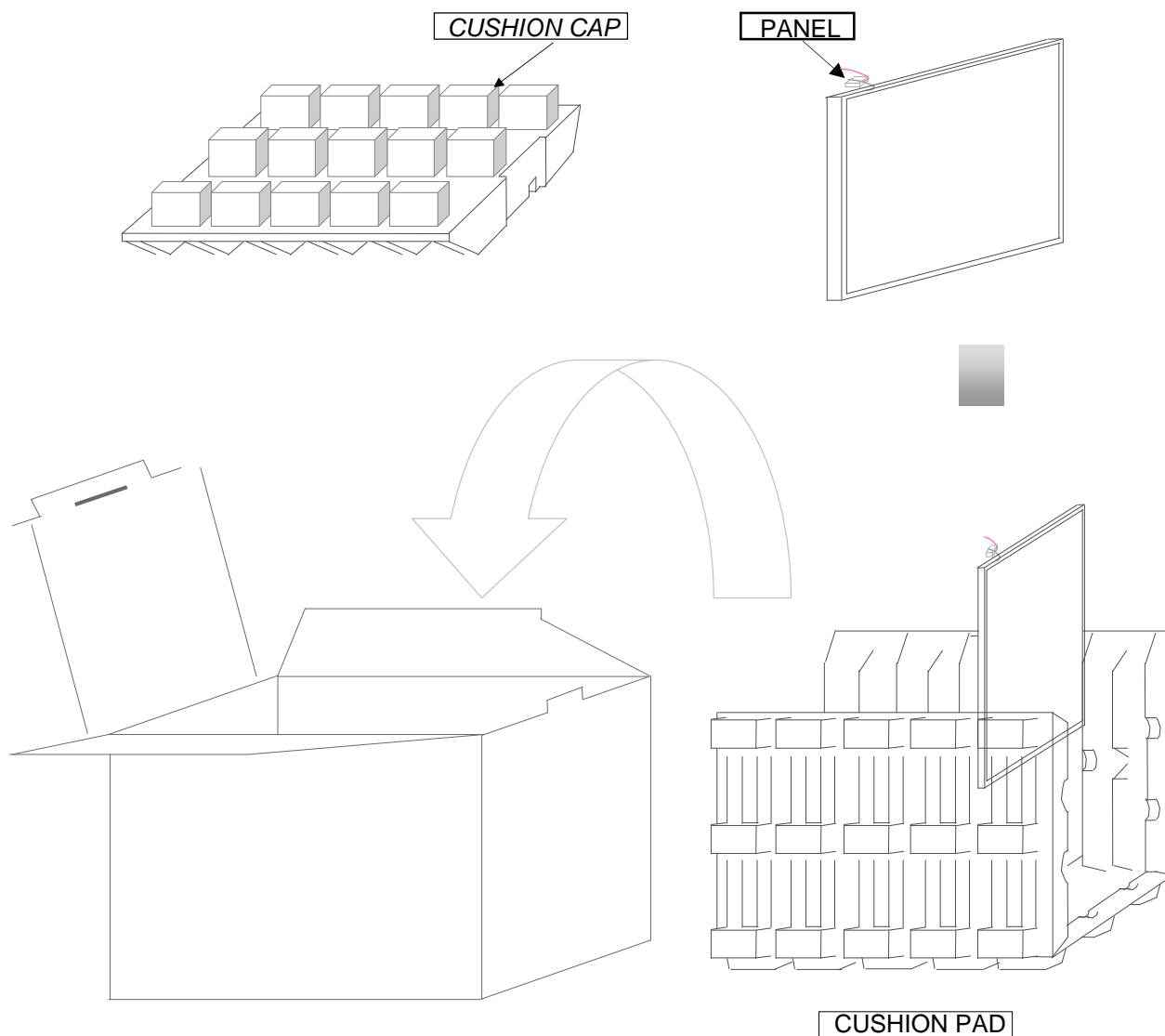
GENERAL TOLERANCE				REV	DATE	DESCRIPTION OF REVISION	REASON	DWG'D BY
STEP	LEVEL 1	LEVEL 2	LEVEL 3	UNIT	DRW'N BY	DES'G'D BY	CHK'D BY	APP'D BY
0 - X ± 4	±0.05	±0.1	±0.2	mm				
4 - X ± 16	±0.08	±0.15	±0.3	mm				
16 - X ± 64	±0.12	±0.25	±0.5	mm				
64 - X ± 256	±0.25	±0.4	±0.8	mm				

MODEL NAME	LTN164AT12-401
PART/SHEET NAME	OUTLINE DIMENSION SHEET 1/1
SPEC. NO.	
CODE NO.	
VER.	000

**8. PACKING****1. CARTON(Internal Package)****(1) Packing Form**

Corrugated Cardboard box and Corrupad form as shock absorber

**(2) Packing Method**

- Note 1) Total Weight : Approximately 10 kg  
 2) Acceptance number of piling : 10 sets  
 3) Carton size : 408(W) X 325(D) X 295(H)

**Samsung Secret****Doc.No.**

LTN154AT12-401

**Rev.No**

04-P04-S-090619

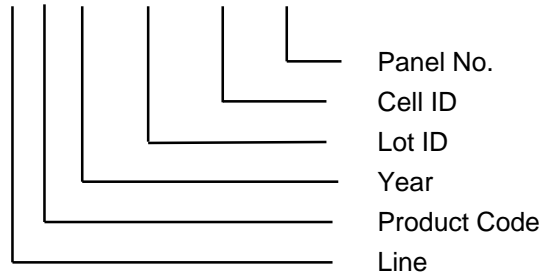
**Page**

25 / 28

## 9. Product Markings and Others

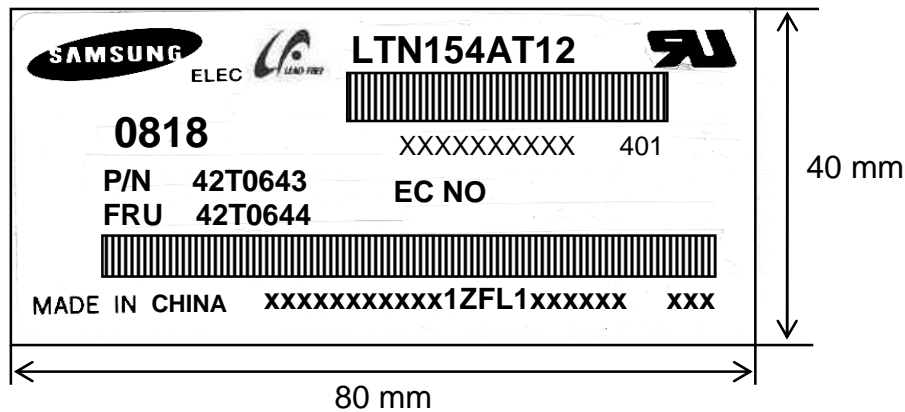
A nameplate bearing followed by is affixed to a shipped product at the specified location on each product.

- (1)Parts number : LTN156AT12-401
- (2)Revision : Three letter
- (3)Control code : One letter
- (4)Lot number : X X X \_ X X X X X X X X

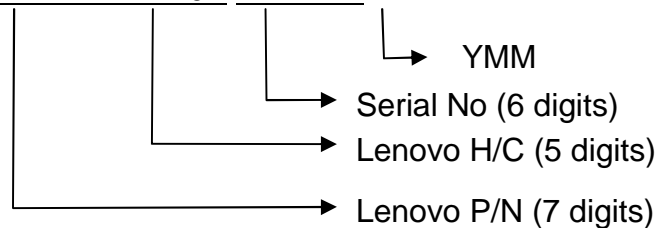


NOTE 1). This code indicating year is omitted in the products of SESL site.

### (5) Product Label Definition



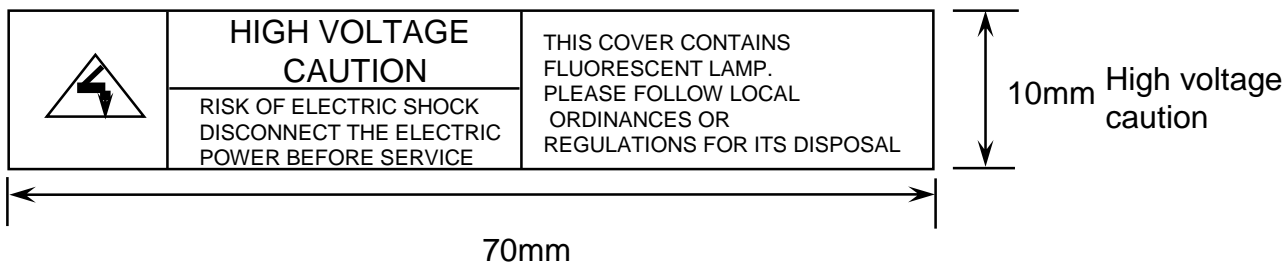
- TFT-LCD Product name : LTN154AT12
- Lot number : XXXXXXXXXXXXX
- Revision Code : 401
- Inspected work week : 0818(2008 Year, 18<sup>th</sup> week)
- P/N : Lenovo Part Number (42T0588)
- EC NO : Engineering Change Number (Blank)
- FRU : Field Replaceable Unit Part Number(42T0589)
- Header Code : 1ZF1 ( one Z F L one )
- Lenovo Barcode : XXXXXXXXXXXX1ZF0P XXXXXX XXX



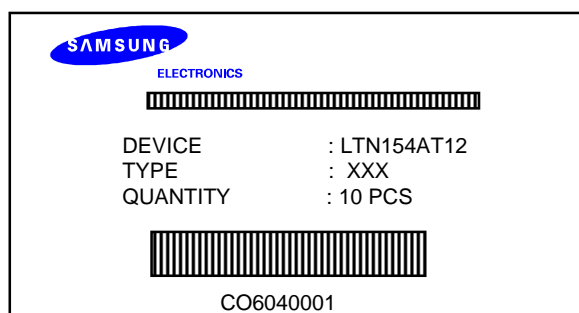
**Samsung Secret**

(5) High voltage caution label

This HIGH VOLTAGE CAUTION is carved in mold frame



(6) Packing small box attach



(7) Packing box Marking : Samsung TFT-LCD Brand Name



**Samsung Secret**

## 10. GENERAL PRECAUTIONS

Preliminary

### 1. Handling

- (a) When the module is assembled, It should be attached to the system firmly using every mounting holes. Be careful not to twist and bend the modules.
- (b) Refrain from strong mechanical shock and / or any force to the module. In addition to damage, this may cause improper operation or damage to the module and CCFT back-light.
- (c) Note that polarizers are very fragile and could be easily damaged. Do not press or scratch the surface harder than a HB pencil lead.
- (d) Wipe off water droplets or oil immediately. If you leave the droplets for a long time, Staining and discoloration may occur.
- (e) If the surface of the polarizer is dirty, clean it using some absorbent cotton or soft cloth.
- (f) The desirable cleaners are water, IPA (Isopropyl Alcohol) or Hexane. Do not use Ketone type materials(ex. Acetone), Ethyl alcohol, Toluene, Ethyl acid or Methyl chloride. It might permanent damage to the polarizer due to chemical reaction.
- (g) If the liquid crystal material leaks from the panel, it should be kept away from the eyes or mouth. In case of contact with hands, legs or clothes, it must be washed away thoroughly with soap.
- (h) Protect the module from static, it may cause damage to the C-MOS Gate Array IC.
- (i) Use fingerstalls with soft gloves in order to keep display clean during the incoming inspection and assembly process.
- (j) Do not disassemble the module.
- (k) Do not pull or fold the lamp wire.
- (l) Do not adjust the variable resistor which is located on the back side.
- (m) Protection film for polarizer on the module shall be slowly peeled off just before use so that the electrostatic charge can be minimized.
- (n) Pins of I/F connector shall not be touched directly with bare hands.

**Samsung Secret**

<b>Doc.No.</b>	LTN154AT12-401	<b>Rev.No</b>	04-P04-S-090619	<b>Page</b>	28 / 28
----------------	----------------	---------------	-----------------	-------------	---------

## 2. STORAGE

- (a) Do not leave the module in high temperature, and high humidity for a long time.  
It is highly recommended to store the module with temperature from 0 to 35 °C and relative humidity of less than 70%.
- (b) Do not store the TFT-LCD module in direct sunlight.
- (c) The module shall be stored in a dark place. It is prohibited to apply sunlight or fluorescent light during the store.

## 3. OPERATION

- (a) Do not connect, disconnect the module in the “ Power On” condition.
- (b) Power supply should always be turned on/off by following item 6.3  
“ Power on/off sequence “.
- (c) Module has high frequency circuits. Sufficient suppression to the electromagnetic interference shall be done by system manufacturers. Grounding and shielding methods may be important to minimize the interference.
- (d) The cable between the back-light connector and its inverter power supply shall be a minimized length and be connected directly . The longer cable between the back-light and the inverter may cause lower luminance of lamp(CCFT) and may require higher startup voltage (Vs).
- (e) The standard limited warranty is only applicable when the module is used for general notebook applications. If used for purposes other than as specified, SEC is not to be held reliable for the defective operations. It is strongly recommended to contact SEC to find out fitness for a particular purpose.

## 4. OTHERS

- (a) Ultra-violet ray filter is necessary for outdoor operation.
- (b) Avoid condensation of water. It may result in improper operation or disconnection of electrode.
- (c) Do not exceed the absolute maximum rating value. ( the supply voltage variation, input voltage variation, variation in part contents and environmental temperature, so on)  
Otherwise the module may be damaged.
- (d) If the module displays the same pattern continuously for a long period of time, it can be the situation when the image “sticks” to the screen.
- (e) This module has its circuitry PCB's on the rear side and should be handled carefully in order not to be stressed.

**Samsung Secret**

<b>Doc.No.</b>	LTN154AT12-401	<b>Rev.No</b>	04-P04-S-090619	<b>Page</b>	29 / 28
----------------	----------------	---------------	-----------------	-------------	---------

# 11. EDID

Address (HEX)	FUNCTION	Value HEX	BIN	DEC	ASCII or Data	Notes
00	Header	00	00000000	0		EDID Header
01		FF	11111111	255		
02		FF	11111111	255		
03		FF	11111111	255		
04		FF	11111111	255		
05		FF	11111111	255		
06		FF	11111111	255		
07		00	00000000	0		
08	ID Manufacturer Name	30	00110000	48	L E N	3 character ID
09		AE	10101110	174		"LEN" as an end-customer
0A	ID Product Code	57	01010111	87		15.4 #WXGA LED
0B		40	01000000	64		
0C	32-bit serial no.	00	00000000	0		
0D		00	00000000	0		
0E		00	00000000	0		
0F		00	00000000	0		
10	Week of manufacture	00	00000000	0		
11	Year of manufacture	12	00010010	18	2008	2008
12	EDID Structure Ver.	01	00000001	1	1	EDID Ver. 1.0
13	EDID revision #	03	00000011	3	3	EDID Rev. 3
14	Video input definition	80	10000000	128		
15	Max H image size	21	00100001	33	33	33 cm(approx)
16	Max V image size	15	00010101	21	21	21 cm(approx)
17	Display Gamma	78	01111000	120	2.2	Gamma 2.2
18	Feature support	EA	11101010	234		
19	Red/green low bits	03	00000011	3		10000111
1A	Blue/white low bits	15	00010101	21		11111110
1B	Red x/ high bits	97	10010111	151	0.590	Red x 0.610= 10011100
1C	Red y	57	01010111	87	0.340	Red y 0.340= 01010111
1D	Green x	52	01010010	82	0.320	Green x 0.345= 01011000
1E	Green y	8C	10001100	140	0.550	Green y 0.544= 1000110011
1F	Blue x	27	00100111	39	0.152	Blue x 0.155= 00100111
20	Blue y	21	00100001	33	0.130	Blue y 0.070= 00010010
21	White x	50	01010000	80	0.313	White x 0.313= 01010000
22	White y	54	01010100	84	0.329	White y 0.329= 01010100
23	Established timing 1	00	00000000	0		
24	Established timing 2	00	00000000	0		
25	Established timing 3	00	00000000	0		

**Samsung Secret**

26	Standard timing #1	01	00000001	1		not used	
27		01	00000001	1			
28	Standard timing #2	01	00000001	1		not used	
29		01	00000001	1			
2A	Standard timing #3	01	00000001	1		not used	
2B		01	00000001	1			
2C	Standard timing #4	01	00000001	1		not used	
2D		01	00000001	1			
2E	Standard timing #5	01	00000001	1		not used	
2F		01	00000001	1			
30	Standard timing #6	01	00000001	1		not used	
31		01	00000001	1			
32	Standard timing #7	01	00000001	1		not used	
33		01	00000001	1			
34	Standard timing #8	01	00000001	1		not used	
35		01	00000001	1			
36	Detailed timing/monitor descriptor #1	8A	10001010	138	70.5	Main clock= 70.50 MHz (@60Hz)	
37		1B	00011011	27			
38		00	00000000	0	1280	Hor active=640*2 pixels	
39		A0	10100000	160	160	Hor blanking=160 pixels	
3A		50	01010000	80		4bit : 4bit	
3B		20	00100000	32	800	Vertical active=800 lines	
3C		10	00010000	16	16	Vertical blanking=16 lines	
3D		30	00110000	48		4bit : 4bit	
3E		30	00110000	48	48	Hor sync. Offset=48 pixels	
3F		20	00100000	32	32	H sync. Width=32 pixels	
40		Detailed timing/monitor descriptor #1	36	00110110	54	3	V sync. Offset=3 lines
							6
41			00	00000000	0		2bit : 2bit :2bit :2bit
42			4B	01001011	75	331	H image size= 331 mm(approx)
43			CF	11001111	207	207	V image size = 207 mm(approx)
44			10	00010000	16		
45		00	00000000	0		No Horizontal Border	
46		00	00000000	0		No Vertical Border	
47		19	00011001	25			
48	Detailed timing/monitor descriptor #2	F3	11110011	243	58.75	Main clock= 58.75 MHz (@50Hz)	
49		16	00010110	22			
4A		00	00000000	0	1280	Hor active=640*2 pixels	
4B		68	01101000	104	160	Hor blanking=160 pixels	
4C		50	01010000	80		4bit : 4bit	
4D		20	00100000	32	800	Vertical active=800 lines	
4E		10	00010000	16	16	Vertical blanking=16 lines	
4F		30	00110000	48		4bit : 4bit	
50		Detailed timing/monitor descriptor #2	30	00110000	48	48	Hor sync. Offset=48 pixels
51			20	00100000	32	32	H sync. Width=32 pixels
52			36	00110110	54	3	V sync. Offset=3 lines
							6
53			00	00000000	0		2bit : 2bit :2bit :2bit
54			4B	01001011	75	331	H image size= 331 mm(approx)
55			CF	11001111	207	207	V image size = 207 mm(approx)
56			10	00010000	16		
57		00	00000000	0		No Horizontal Border	
58		00	00000000	0		No Vertical Border	
59		19	00011001	25			

**Samsung Secret**



5A	descriptor #3	00	00000000	0		Manufacturer Specified (Timing)	
5B		00	00000000	0			
5C		00	00000000	0			
5D		0F	00001111	15			
5E		00	00000000	0			
5F		81	10000001	129			(Horizontal active pixel /8)-31
60		0A	00001010	10			Image Aspect Ratio(16:10)
61		32	00110010	50			Low Refresh Rate #1(50Hz)
62		81	10000001	129			(Horizontal active pixel /8)-31
63		0A	00001010	10			Image Aspect Ratio(16:10)
64		28	00101000	40			Low Refresh Rate #1(40Hz)
65		16	00010110	22			Brightness(1/10nit)
66		09	00001001	9			Feature flag(TN/LEDmode)
67		00	00000000	0			
68		4C	01001100	76			supplier ID "SEC"
69		A3	10100011	163			
6A		41	01000001	65	[A]		Product code "AT"
6B		54	01010100	84	[T]		(Hex, LSB first)
6C		Detailed timing/monitor descriptor #4	00	00000000	0		
6D	00		00000000	0			
6E	00		00000000	0			
6F	FE		11111110	254			
70	00		00000000	0			
71	4C		01001100	76	[L]		
72	54		01010100	84	[T]		
73	4E		01001110	78	[N]		
74	31		00110001	49	[1]		
75	35		00110101	53	[5]		
76	34		00110100	52	[4]		
77	41		01000001	65	[A]		
78	54		01010100	84	[T]		
79	31		00110001	49	[1]		
7A	32		00110010	50	[2]		
7B	34		00110100	52	[4]		
7C	30		00110000	48	[0]		
7D	31		00110001	49	[1]		
7E	Extension Flag		00	00000000	0		
7F	Checksum	A6	10100110	166			

**Samsung Secret**