



Light LED

Product Data Sheet

LTPA-A5630AZL

Spec No.: DS25-2014-0224

Effective Date: 11/01/2014

Revision: -

LITE-ON DCC

RELEASE

BNS-OD-FC001/A4

Light LED LTPA-A5630AZL

1. Description

The LiteON 5630 Product series is a wide beam angle standard-dimension package, combining the lifetime and reliability advantages of Light Emitting Diodes with the brightness of conventional lighting. It gives you total design freedom and unmatched brightness, creating a new opportunities for solid state lighting to displace conventional lighting technologies.

1.1 Features

- Package in 8mm tape on 7" diameter reels.
- Compatible with automatic placement equipment.
- Compatible with infrared and vapor phase reflow solder process.
- EIA STD package.
- I.C. compatible.
- Meet green product and Pb-free(According to RoHS)

1.2 Applications

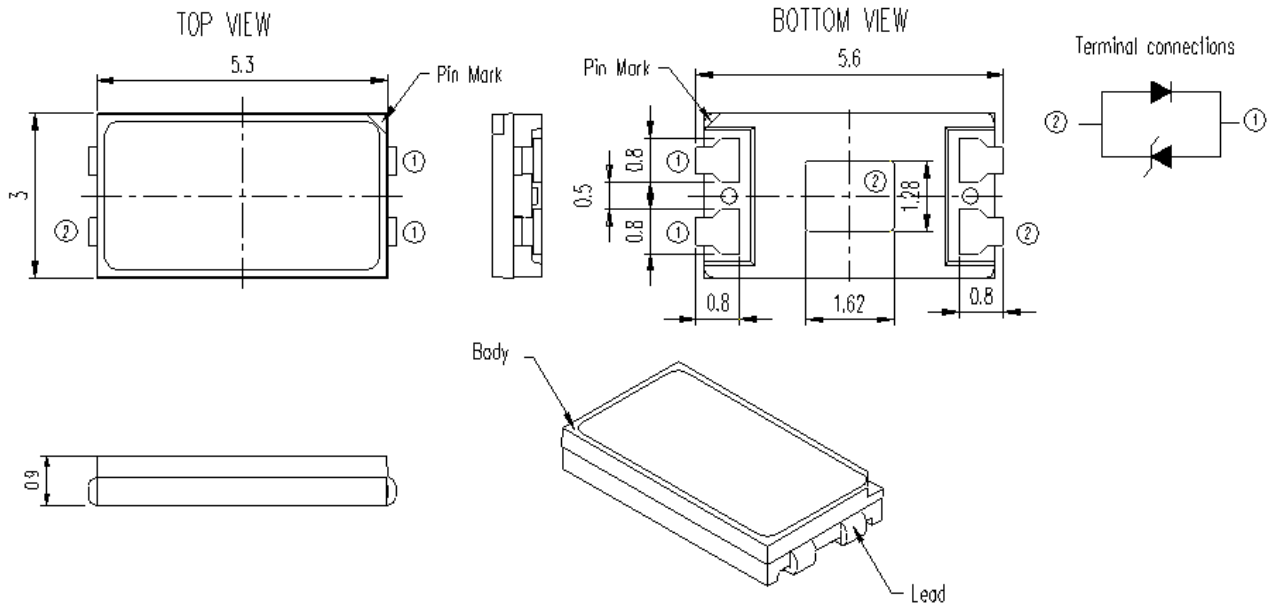
- Automotive aftermarket eg: DRL, Reading light

1.3 Available Part Numbers

CCT	Part Number
6500 K	LTPA-A5630AZL65
5700 K	LTPA-A5630AZL57
5000 K	LTPA-A5630AZL50
4000 K	LTPA-A5630AZL40
3500 K	LTPA-A5630AZL35
3000 K	LTPA-A5630AZL30
2700 K	LTPA-A5630AZL27

Light LED LTPA-A5630AZL

2. Outline Dimensions



Part No.	Lens Color	Source Color
LTPA-A5630AZL65	Orange	InGaN Blue
LTPA-A5630AZL57		
LTPA-A5630AZL50		
LTPA-A5630AZL40		
LTPA-A5630AZL35		
LTPA-A5630AZL30		
LTPA-A5630AZL27		

Notes:

1. All dimensions are in millimeters.
2. Tolerance is ± 0.2 mm (.008") unless otherwise noted.

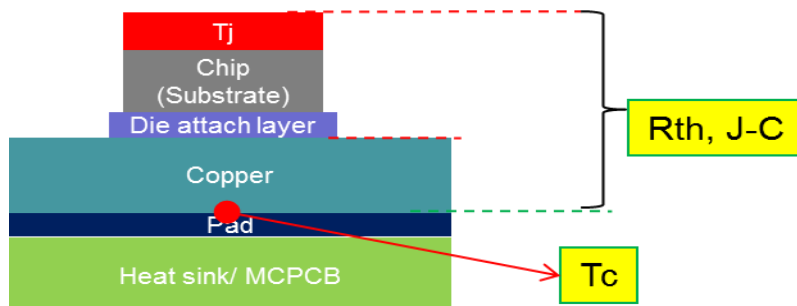
Light LED LTPA-A5630AZL

3. Absolute Maximum Ratings at $T_a=25^{\circ}\text{C}$

Parameter	Symbol	Rating	Unit
Power Dissipation	P_o	700	mW
Continuous Forward Current	I_F	200	mA
Pulse Forward Current	I_{FP}	240	mA
Operating Temperature Range	T_c	-40 ~ +85	$^{\circ}\text{C}$
Storage Temperature Range	T_{stg}	-40 ~ +100	$^{\circ}\text{C}$
Junction Temperature	T_j	≤ 120	$^{\circ}\text{C}$
Electrostatic Discharge Threshold	HBM	2K	V
Thermal Resistance	$R_{th, J-C}$	15	$^{\circ}\text{C}/\text{W}$

Notes :

- 1/10 duty cycle, Pulse width $\leq 100 \mu\text{s}$.
2. Forbid to operating at reverse voltage condition for long.
3. It is recommended to follow de-rating curve to use maximum rating to ensure LED can operated normally.
4. All correlation data is mounted on thermal heat sink with 2cmX 2cm Metal Core PCB
5. The T_c point is defined as following figure.



Light LED LTPA-A5630AZL

4. Electro-Optical Characteristics

4.1 Typical Performance

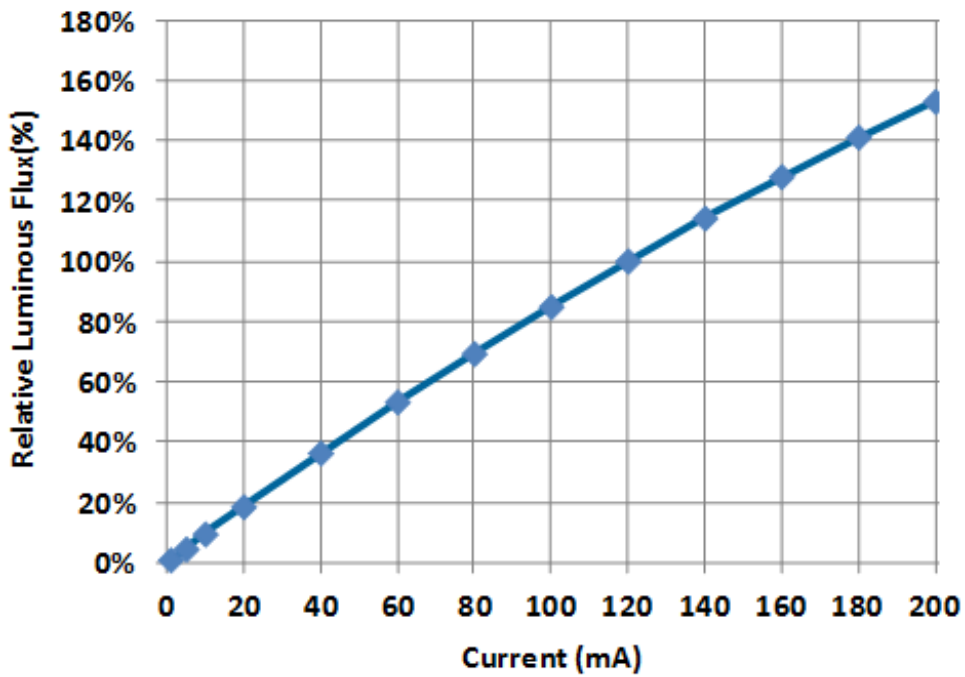
Parameter	Symbol	Values			Unit	Test Condition
		Min	Typ.	Max		
Correlated Color Temperature	CCT	2700	--	6500	K	I _F = 120mA
Luminous Flux ¹	Φ _v	41	--	63.5	lm	I _F = 120mA
Color Rendering Index	CRI	80	--	--	-	I _F = 120mA
Viewing Angle	2θ _{1/2}	--	120	--	deg	
Forward Voltage	V _F	2.9	3.13	3.3	V	I _F = 120mA

Notes

- Luminous flux is the total luminous flux output as measured with an integrating sphere.
- Iv (flux Φ_v) classification code is marked on each packing bag.
- The chromaticity coordinates (x, y) is derived from the 1931 CIE chromaticity diagram.
- Caution in ESD:
 Static Electricity and surge damages the LED. It is recommended using a wrist band or anti-electrostatic glove when handling the LED. All devices, equipment and machinery must be properly grounded.
- CAS140B is the test standard for the chromaticity coordinates (x, y) & Φ_v.
- The chromaticity coordinates (x, y) guarantee should be added +/- 0.01 tolerances
- CRI measurement allowance is ±3

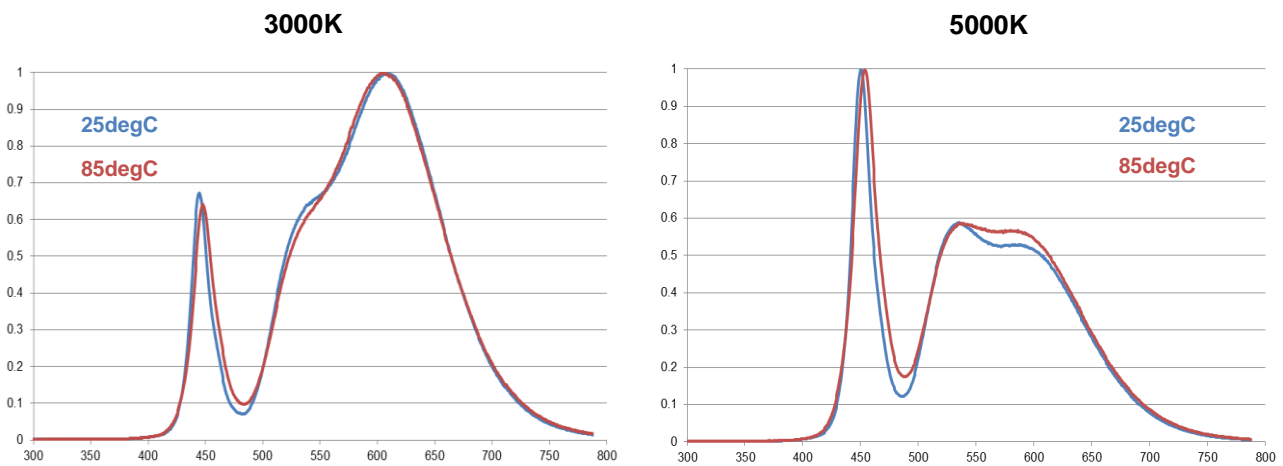
**Light LED
LTPA-A5630AZL**

Forward Current vs. Lumen and Voltage

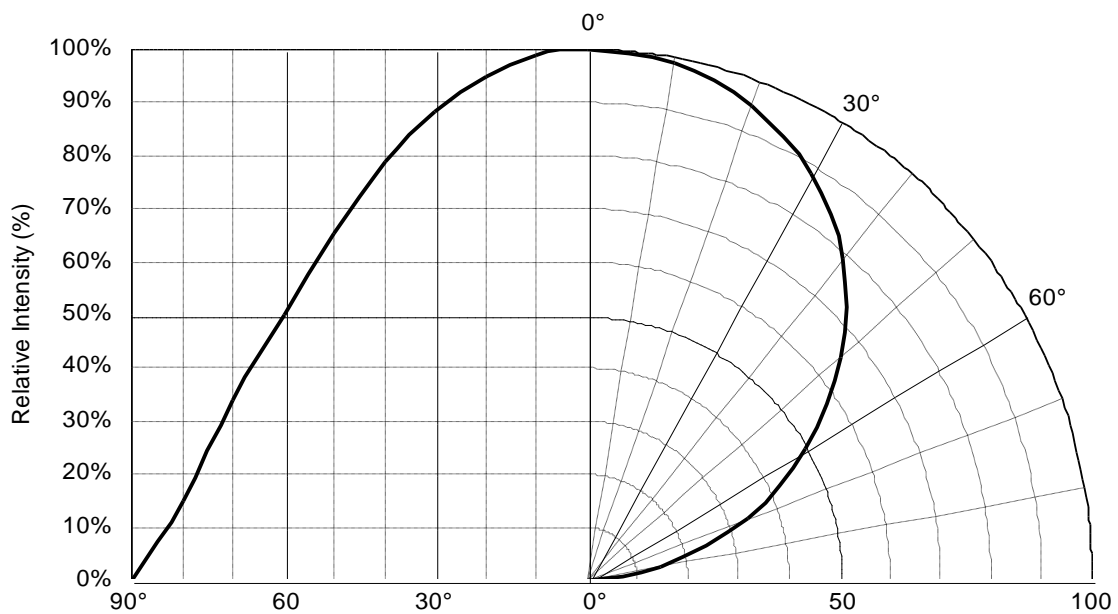


Light LED LTPA-A5630AZL

4.2 Relative Spectral Power Distribution at Typical Current

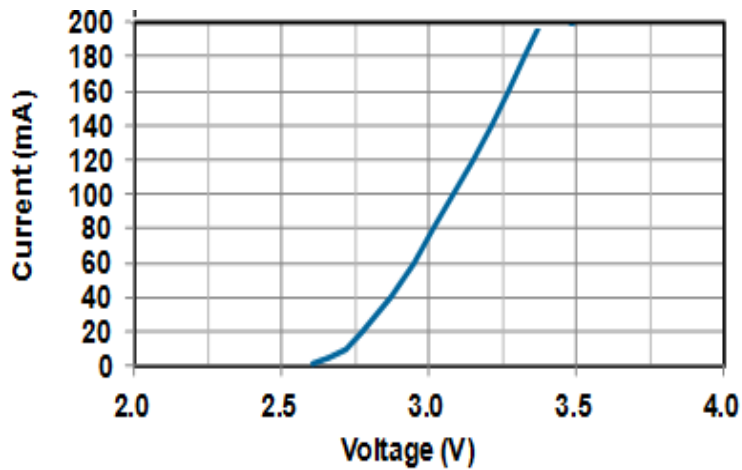


4.3 Radiation Characteristics

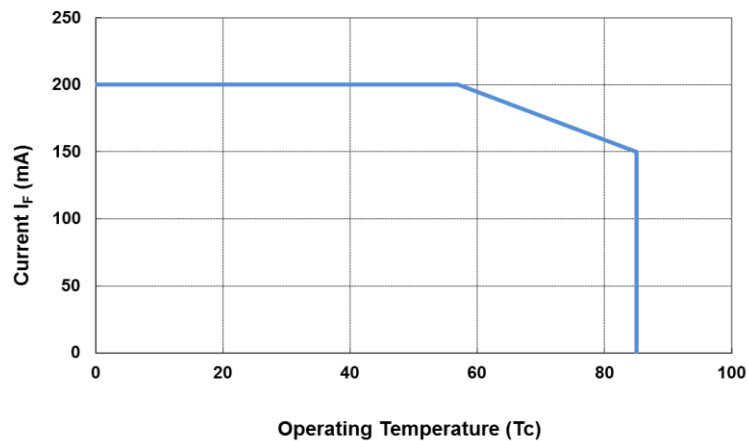


Light LED LTPA-A5630AZL

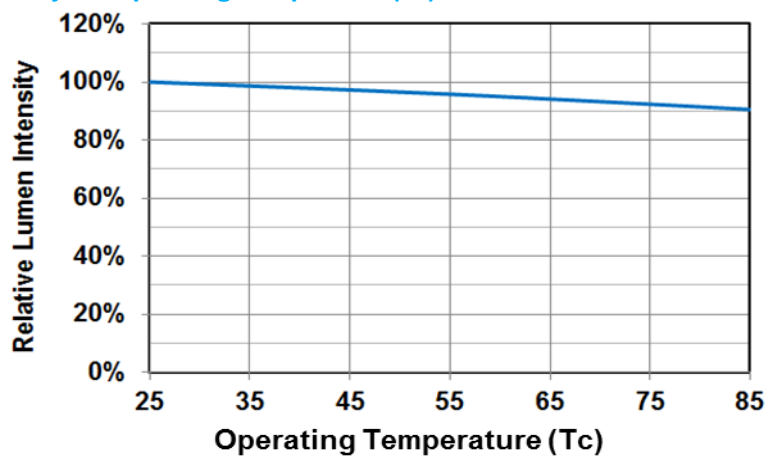
4.4 Forward Current vs. Forward Voltage



4.5 Forward Current Derating Curve vs. Operating Temperature(Tc)



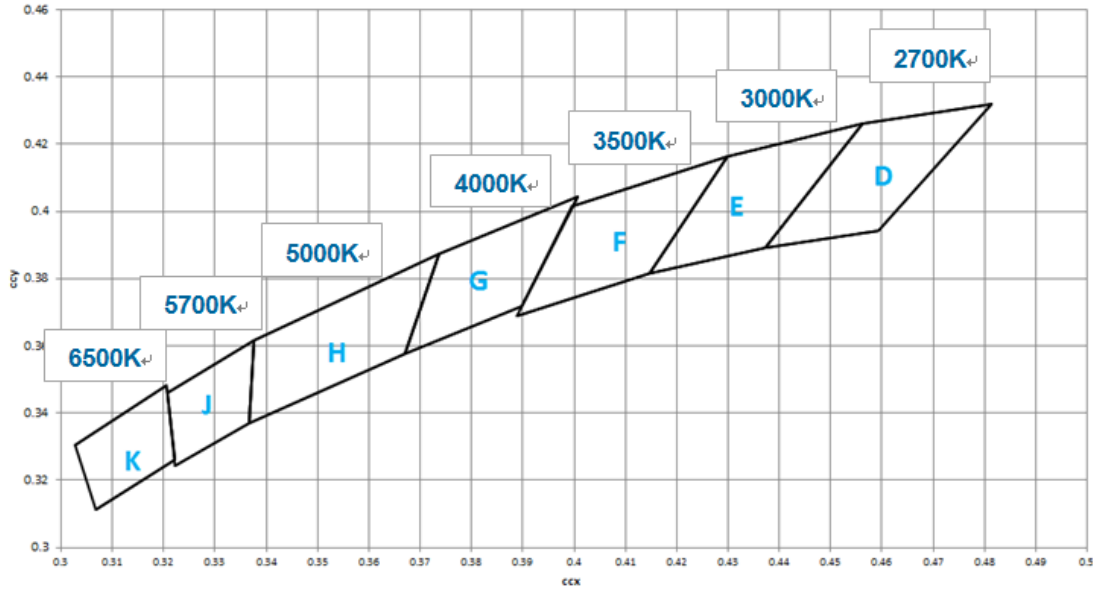
4.6 Relative Intensity vs. Operating Temperature(Tc)



Light LED LTPA-A5630AZL

5. Binning Definition

5.1 Color Bin



Light LED LTPA-A5630AZL

5.2 Color Rank

$I_f = 120\text{mA}$											
Rank	-	x	y	Rank	-	x	y	Rank	-	x	y
K	1	0.3028	0.3304	J	1	0.3207	0.3462	H	1	0.3376	0.3616
	2	0.3068	0.3113		2	0.3222	0.3243		2	0.3366	0.3369
	3	0.3221	0.3261		3	0.3366	0.3369		3	0.367	0.3578
	4	0.3205	0.3481		4	0.3376	0.3616		4	0.3736	0.3874
	5	0.3028	0.3304		5	0.3207	0.3462			0.3376	0.3616
G	1	0.3736	0.3874	F	1	0.3996	0.4015	E	1	0.4299	0.4165
	2	0.367	0.3578		2	0.3889	0.369		2	0.4147	0.3814
	3	0.3898	0.3716		3	0.4147	0.3814		3	0.4373	0.3893
	4	0.4006	0.4044		4	0.4299	0.4165		4	0.4562	0.426
	5	0.3736	0.3874		5	0.3996	0.4015			0.4299	0.4165
D	1	0.4562	0.426								
	2	0.4373	0.3893								
	3	0.4593	0.3944								
	4	0.4813	0.4319								
	5	0.4562	0.426								

Tolerance on each Hue bin (x,y) is +/- 0.01.

Light LED LTPA-A5630AZL

5.3 Flux Bin

2700K	Φ_v Luminous Flux Spec. Table	
Φ_v Bin	Lumen (lm) at $I_F = 120$ mA	
	Min	Max
CF	41.0	45.5
FI	45.5	50.0
IL	50.0	54.5
LO	54.5	59.0

4000K	Φ_v Luminous Flux Spec. Table	
Φ_v Bin	Lumen (lm) at $I_F = 120$ mA	
	Min	Max
EH	44.0	48.5
HK	48.5	53.0
KN	53.0	57.5
NQ	57.5	62.0

3000K	Φ_v Luminous Flux Spec. Table	
Φ_v Bin	Lumen (lm) at $I_F = 120$ mA	
	Min	Max
DG	42.5	47.0
GJ	47.0	51.5
JM	51.5	56.0
MP	56.0	60.5

5000K	Φ_v Luminous Flux Spec. Table	
Φ_v Bin	Lumen (lm) at $I_F = 120$ mA	
	Min	Max
FI	45.5	50.0
IL	50.0	54.5
LO	54.5	59.0
OR	59.0	63.5

3500K	Φ_v Luminous Flux Spec. Table	
Φ_v Bin	Lumen (lm) at $I_F = 120$ mA	
	Min	Max
EH	44.0	48.5
HK	48.5	53.0
KN	53.0	57.5
NQ	57.5	62.0

5700K	Φ_v Luminous Flux Spec. Table	
Φ_v Bin	Lumen (lm) at $I_F = 120$ mA	
	Min	Max
EH	44.0	48.5
HK	48.5	53.0
KN	53.0	57.5
NQ	57.5	62.0

6500K	Φ_v Luminous Flux Spec. Table	
Φ_v Bin	Lumen (lm) at $I_F = 120$ mA	
	Min	Max
DG	42.5	47.0
GJ	47.0	51.5
JM	51.5	56.0
MP	56.0	60.5

Tolerance on each Luminous Flux bin is $\pm 10\%$

Light LED
LTPA-A5630AZL

$I_F = 120 \text{ mA}$		CCT						
Code	lm	2700K	3000K	3500K	4000K	5000K	5700K	6500K
C	41.0							
D	42.5	CF						
E	44.0		DG					
F	45.5				EH	EH		EH
G	47.0	FI					EH	
H	48.5						FI	
I	50.0		GJ					GJ
J	51.5	IL		HK	HK		HK	
K	53.0						IL	
L	54.5		JM					JM
M	56.0	LO		KN	KN		KN	
N	57.5						LO	
O	59.0		MP					MP
P	60.5			NQ	NQ		NQ	
Q	62.0					OR		
R	63.5							

Light LED LTPA-A5630AZL

5.2 Voltage Bin

V _F Spec. Table		
V _F Bin	Forward Voltage (volts) at I _F = 120mA	
	Min	Max
V1	2.9	3.1
V2	3.1	3.2
V3	3.2	3.3

Tolerance on each Forward Voltage bin is +/- 0.1V

6. Bin Code List

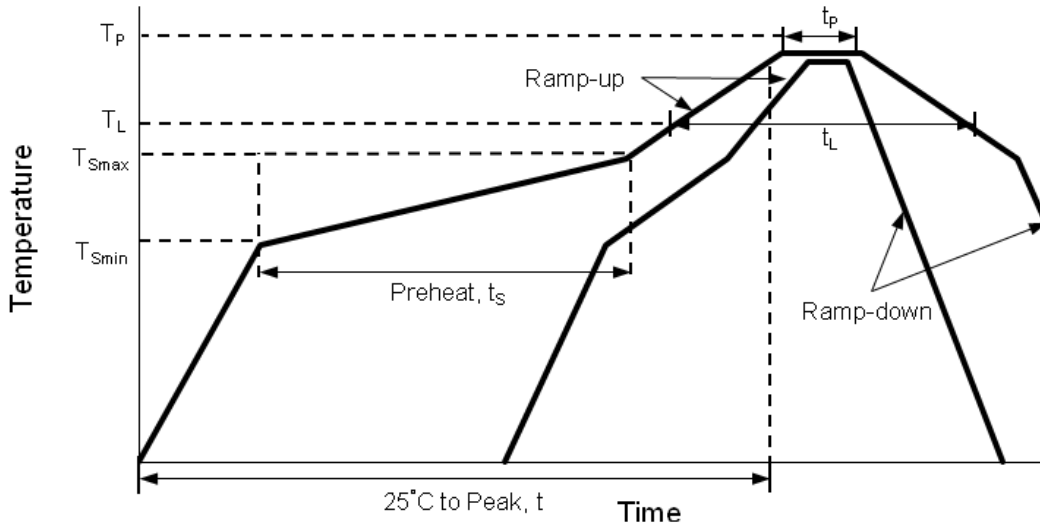
※ Notes: Full Rank on Label

Example: V1 / HK / G

Forward Voltage Rank	Luminous Flux Rank	Color Rank
V1	HK	G

Light LED LTPA-A5630AZL

7. Reflow Soldering Characteristics



Profile Feature	Lead Free Assembly
Average Ramp-Up Rate (T_{Smax} to T_P)	3°C / second max
Preheat Temperature Min (T_{Smin})	150°C
Preheat Temperature Max (T_{Smax})	200°C
Preheat Time (t_{Smin} to t_{Smax})	60 – 180 seconds
Time Maintained Above Temperature (T_L)	217°C
Time Maintained Above Time (t_L)	60 – 150 seconds
Peak / Classification Temperature (T_P)	260°C
Time Within 5°C of Actual Peak Temperature (t_p)	5 seconds
Ramp – Down Rate	6°C / second max
Time 25°C to Peak Temperature	8 minutes max

Light LED LTPA-A5630AZL

Notes:

1. The LEDs can be soldered using the reflow soldering or hand soldering method. The recommended hand soldering condition is 350 °C max. and 2 secs max. for one time only, and the recommended reflow soldering condition is 260 °C max. and 5 secs max. for three times max.
2. All temperatures refer to topside of the package, measured on the package body surface.
3. The soldering condition referring to J-STD-020. The storage ambient for the LEDs should not exceed 30 °C temperature or 70% relative humidity. It is recommended that LEDs out of their original packaging are soldered within one week. For extended storage out of their original packaging, it is recommended that the LEDs were stored in a sealed container with appropriate desiccant, or desiccators with nitrogen ambient. If the LEDs were unpacked more than 168hrs, baking the LEDs at 60 °C for 60 mins before soldering process.
4. The soldering profile could be further referred to different soldering grease material characteristic. The grease vendor will provide this information.
5. A rapid-rate process is not recommended for the LEDs cooling down from the peak temperature.
6. Although the recommended reflow conditions are specified above, the reflow or hand soldering condition at the lowest possible temperature is desirable for the LEDs.
7. LiteOn cannot make a guarantee on the LEDs which have been already assembled using the dip soldering method.

Light LED
LTPA-A5630AZL

8. Reliability Test

No	Test item	Test Condition	Duration	Number of Damaged
1	High Temperature Storage (HTS)	100°C	1000 hrs	0/20
2	Low Temperature Storage (LTS)	-40°C	1000 hrs	0/20
3	Thermal Cycle	-40°C~100°C 30min dwell 5min transfer	200 cycle	0/20
4	Thermal Shock	-40°C~100°C 20min dwell 20sec transfer	200 cycle	0/20

Light LED LTPA-A5630AZL

9. User Guide

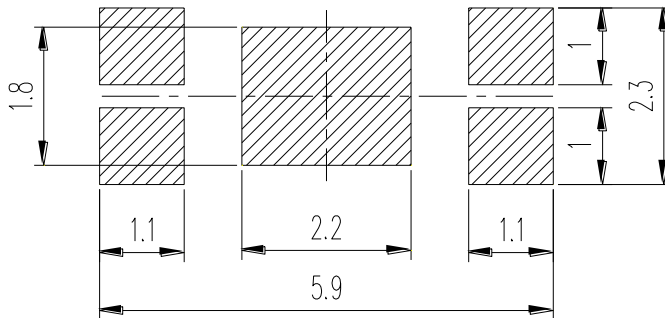
■ Cleaning

Do not use unspecified chemical liquid to clean LED they could harm the package. If cleaning is necessary, immerse the LED in ethyl alcohol or isopropyl alcohol at normal temperature for less than one minute.

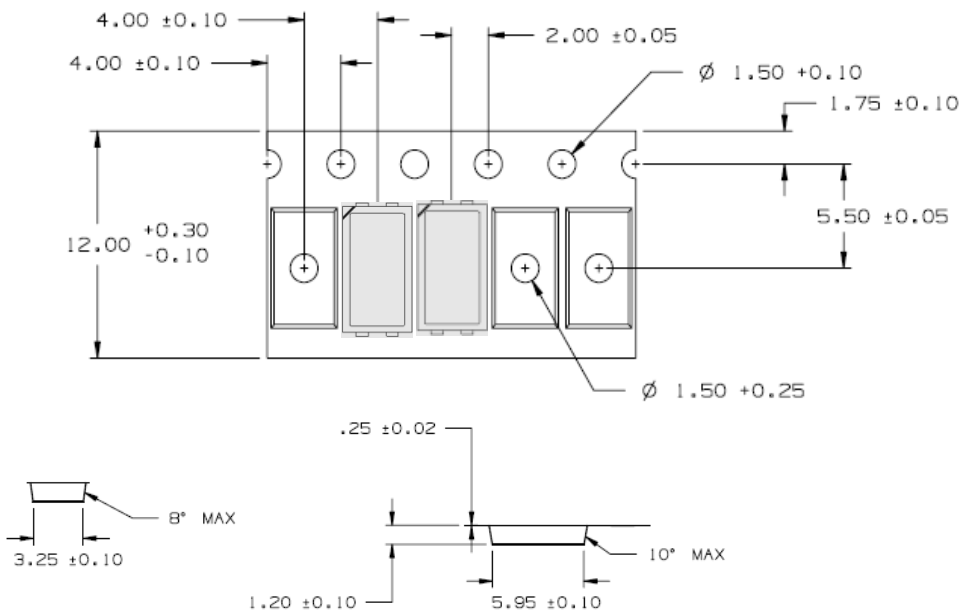
■ Recommend Printed Circuit Board Attachment Pad

Infrared / vapor phase

Reflow Soldering



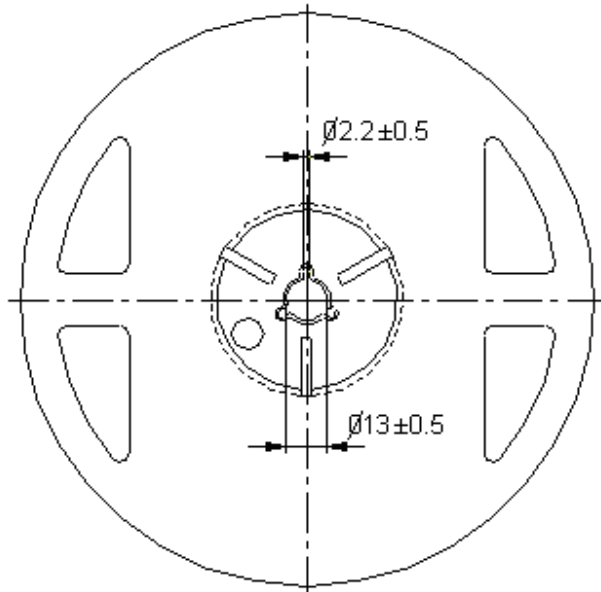
■ Package Dimensions of Tape



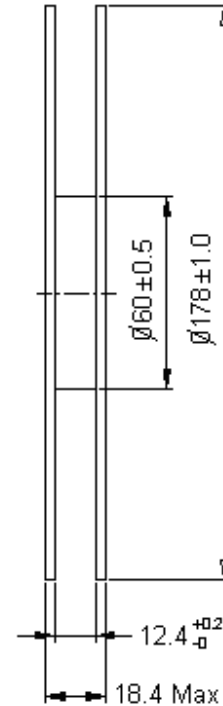
Note: All dimensions are in millimeters (inches).

Light LED LTPA-A5630AZL

■ Package Dimensions of Reel



Note: 01. The tolerance unless mentioned is ± 0.1 mm
02. The measured unit is "mm"



Notes:

1. Empty component pockets sealed with top cover tape.
2. 7 inch reel-3000 pieces per reel.
3. Minimum packing quantity is 500 pieces for remainders.
4. The maximum number of consecutive missing lamps is two.
5. In accordance with EIA-481 specifications.

Light LED LTPA-A5630AZL

10. Cautions

10.1 Application

The LEDs described here are intended to be used for ordinary electronic equipment (such as office equipment, communication equipment and household applications). Consult Liteon's Sales in advance for information on applications in which exceptional reliability is required, particularly when the failure or malfunction of the LEDs may directly jeopardize life or health (such as in aviation, transportation, traffic control equipment, medical and life support systems and safety devices).

10.2 Storage

This product is qualified as Moisture sensitive Level 3 per JEDEC J-STD-020 Precaution when handling this moisture sensitive product is important to ensure the reliability of the product.

The package is sealed:

The LEDs should be stored at 30°C or less and 90%RH or less. And the LEDs are limited to use within one year, while the LEDs is packed in moisture-proof package with the desiccants inside.

The package is opened:

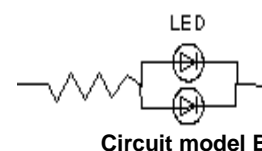
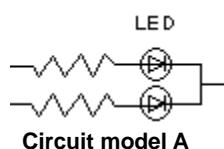
The LEDs should be stored at 30°C or less and 60%RH or less. Moreover, the LEDs are limited to solder process within 168hrs. If the Humidity Indicator shows the pink color in 10% even higher or exceed the storage limiting time since opened, that we recommended to baking LEDs at 60°C at least 24hrs. To seal the remainder LEDs return to package, it's recommended to be with workable desiccants in original package.

10.3 Cleaning

Use alcohol-based cleaning solvents such as isopropyl alcohol to clean the LED if necessary.

10.4 Drive Mode

An LED is a current-operated device. In order to ensure intensity uniformity on multiple LEDs connected in parallel in an application, it is recommended that a current limiting resistor be incorporated in the drive circuit, in series with each LED as shown in Circuit A below



Light LED LTPA-A5630AZL

(A) Recommended circuit.

(B) The brightness of each LED might appear different due to the differences in the I-V characteristics of those LEDs.

10.5 ESD (Electrostatic Discharge)

Static Electricity or power surge will damage the LED. Suggestions to prevent ESD damage:

- Use of a conductive wrist band or anti-electrostatic glove when handling these LEDs.
- All devices, equipment, and machinery must be properly grounded.
- Work tables, storage racks, etc. should be properly grounded.
- Use ion blower to neutralize the static charge which might have built up on surface of the LED's plastic lens.
- Friction between LEDs during storage and handling.

ESD-damaged LEDs will exhibit abnormal characteristics such as high reverse leakage current, low forward voltage, or "no lightup" at low currents. To verify for ESD damage, check for "light up" and V_F of the suspect LEDs at low currents. The V_F of "good" LEDs should be $>2.0V@0.1mA$ for InGaN product and $>1.4V@0.1mA$ for AlInGaP product.

10.6 Suggested Checking List:

- Training and Certification
 1. Everyone working in a static-safe area is ESD-certified?
 2. Training records kept and re-certification dates monitored?
- Static-Safe Workstation & Work Areas
 1. Static-safe workstation or work-areas have ESD signs?
 2. All surfaces and objects at all static-safe workstation and within 1 ft measure less than 100V?
 3. All ionizer activated, positioned towards the units?
 4. Each work surface mats grounding is good?
- Personnel Grounding
 1. Every person (including visitors) handling ESD sensitive (ESDS) items wear wrist strap, heel strap or conductive shoes with conductive flooring?

Light LED LTPA-A5630AZL

2. If conductive footwear used, conductive flooring also present where operator stand or walk?
3. Garments, hairs or anything closer than 1 ft to ESD items measure less than 100V*?
4. Every wrist strap or heel strap/conductive shoes checked daily and result recorded for all DLs?
5. All wrist strap or heel strap checkers calibration up to date?

Note: *50V for Blue LED.

- Device Handling
 1. Every ESDS items identified by EIA-471 labels on item or packaging?
 2. All ESDS items completely inside properly closed static-shielding containers when not at static-safe workstation?
 3. No static charge generators (e.g. plastics) inside shielding containers with ESDS items?
 4. All flexible conductive and dissipative package materials inspected before reuse or recycle?
- Others
 1. Audit result reported to entity ESD control coordinator?
 2. Corrective action from previous audits completed?
 3. Are audit records complete and on file?

10.7 Others:

- Do not put any pressure on the light emitting surface either by finger or any hand tool and do not stack the products. Stress or pressure may cause damage to the wires of the LED array.
- This product is not designed for the use under any of the following conditions, please confirm the performance and reliability are well enough if you use it under any of the following conditions
- Do not use sulfur-containing materials in commercial products including the materials such as seals and adhesives that may contain sulfur.
- Do not put this product in a place with a lot of moisture (over 85% relative humidity), dew condensation, briny air, and corrosive gas (Cl, H₂S, NH₃, SO₂, NO_x, etc.), exposure to a corrosive environment may affect silver plating.
- The appearance and specifications of the product may be modified for improvement without prior notice.