



LEDTRONICS, Inc

TELE: 213-676-7996  
FAX: 213-676-0108

(10.16mm) SINGLE DIGIT 7 SEGMENT  
0.4" NUMERIC DISPLAYS  
STD RED, HI-RED, HI-EFF RED/YELLOW/GREEN

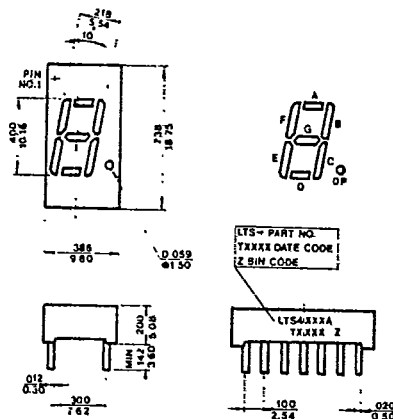
LEDTRONICS PART NO. LTS-				ALL RNDP	LED RADIATION COLOR	ABSOLUTE MAXIMUM RATINGS Ta=25°C					ELECTRO-OPTICAL CHARACTERISTICS Ta=25°C				
COM. ANODE	SECOND SOURCES	COM. CATHODE	SECOND SOURCES	Pd mW		I <sub>fp</sub> mA	I <sub>f</sub> mA	V <sub>r</sub> V	T <sub>opr</sub> °C	I <sub>f</sub> mA	I <sub>v</sub> TYP μcd	V <sub>f</sub> TYP V	V <sub>f</sub> MAX V	I <sub>r</sub> MAX μA	λ <sub>p</sub> nm
4710RR	MAN4710R	4740RR	MAN4740R		55	150	25	5	-25to+85	10	480	1.7	2.0	100	655
4710RP		4740RP			40	60	15	5	-25to+85	10	550	2.1	2.8	100	697
4910RR	MAN4910R	4940RR	MAN4940R		75	100	25	5	-25to+85	10	2000	2.1	2.8	100	635
4610RE	MAN4610R	4640RE	MAN4640R		75	100	25	5	-25to+85	10	2000	2.1	2.8	100	630
4810RY	MAN4810R	4840RY	MAN4840R		60	80	20	5	-25to+85	10	1500	2.1	2.8	100	585
4510RG	MAN4410R	4540RG	MAN4440R		75	100	25	5	-25to+85	10	2000	2.1	2.8	100	565

NOTE: UNIVERSAL AND COMMON ANODE ±1 OVERFLOW AVAILABLE

PACKAGE DIMENSIONS

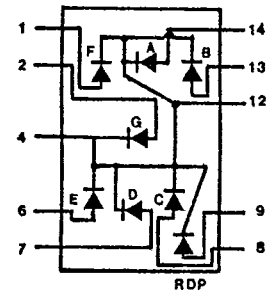
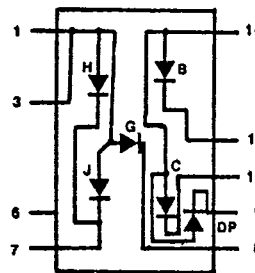
LTS-4X10A/4X40A/4X80A

INTERNAL CIRCUIT DIAGRAM



LTS-4X10A

LTS-4X40A



NOTE: All dimensions are in  $\frac{\text{inches}}{\text{millimeters}}$ , tolerance is  $\frac{0.010''}{0.25\text{mm}}$  unless otherwise noted.

PIN FUNCTION

PIN NO.	CONNECTION	
	LTS4X10R	LTS4X40R
1	CATH R	ANODE F
2	CATH F	ANODE G
3	COM. ANODE	NO PIN
4	NO PIN	COM. CATH
5	NO PIN	NO PIN
6	NO PIN	ANODE E
7	CATH E	ANODE D
8	CATH D	ANODE C
9	CATH D.P.	ANODE D.P.
10	CATH C	NO PIN
11	CATH G	NO PIN
12	NO PIN	COM. CATH
13	CATH B	ANODE B
14	COM. ANODE	ANODE A

NOTE:

- 1] PIN 3 & 14 ARE INTERNALLY CONNECTED
- 2] PIN 4 & 12 ARE INTERNALLY CONNECTED

