

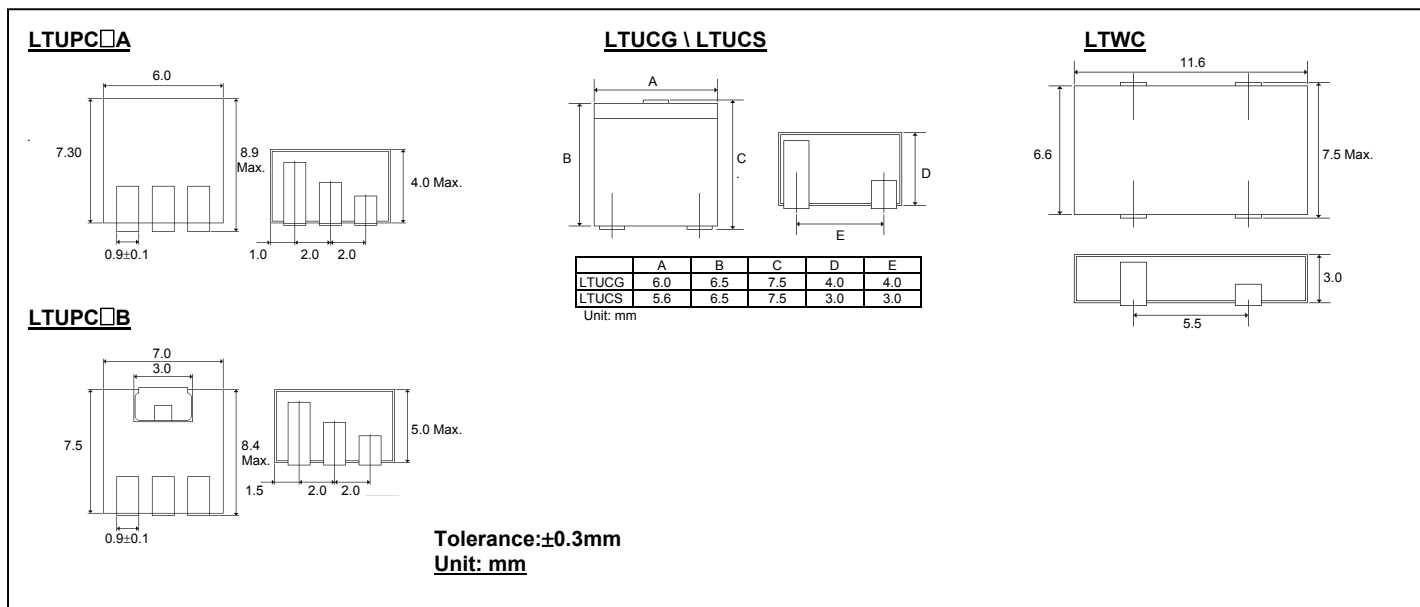


Ceramic Filter (450/455KHz, SMD Type)

RoHS Compliant
Directive 2002/95/EC

REACH Compliant
(15 SVHCs)
Regulation (EC)
No. 1907/2006

• Dimension



• Electrical Specifications of LTUCG and LTUCS

| Part Number | Center Frequency (Center of 6dB Bandwidth) KHz | Bandwidth | | Stop Band Att. ±100KHz dB Max. | Insertion Loss at Min. Loss Point dB Max. | Ripple dB Max. | Input/output Impedance Ω |
|------------------------|--|-----------------|------------------|--------------------------------------|---|-------------------|--------------------------------|
| | | 6dB KHz Min. | 40dB KHz Max. | | | | |
| LTUCG455B LTUCS455B | $f_0 \pm 1.5$ | ±15.0 | ±35.0 | 25.0 | 4.0 | 2.0 (±9KHz) | 1000 |
| LTUCG455C LTUCS455C | $f_0 \pm 1.5$ | ±12.5 | ±28.0 | 25.0 | 4.0 | 2.0 (±8KHz) | 1000 |
| LTUCG455D LTUCS455D | $f_0 \pm 1.5$ | ±10.0 | ±20.0 | 27.0 (LTUCG) 25.0 (LTUCS) | 4.0 (LTUCG) 6.0 (LTUCS) | 2.0 (±7KHz) | 1500 (LTUCG) 1000 (LTUCS) |
| LTUCG455E LTUCS455E | $f_0 \pm 1.5$ | ±7.5 | ±15.0 | 27.0 | 6.0 | 2.0 (±5KHz) | 1500 |
| LTUCG455F LTUCS455F | $f_0 \pm 1.5$ | ±6.0 | ±12.5 | 27.0 | 6.0 | 2.0 (±4KHz) | 1500 |
| LTUCG455G LTUCS455G | $f_0 \pm 1.5$ | ±4.5 | ±10.0 | 25.0 | 6.0 | 2.0 (±3KHz) | 1500 |
| LTUCG455H LTUCS455H | $f_0 \pm 1.5$ | ±3.0 | ±9.0 | 25.0 | 6.0 | 2.0 (±2KHz) | 1500 |

- For other frequencies or specifications, please consult with our sales representatives for details.
- Center frequency of 450KHz is also available.

• Electrical Specifications of LTUPC□A and LTUPC□B

| Part Number | Center Frequency (Center of 6dB Bandwidth) KHz | Bandwidth | | Stop Band Att. ±100KHz dB Max. | Insertion Loss at Min. Loss Point dB Max. | Ripple dB Max. | Input/output Impedance Ω |
|--------------------------|--|-----------------|------------------|--------------------------------------|---|-------------------|----------------------------------|
| | | 6dB KHz Min. | 40dB KHz Max. | | | | |
| LTUPC455BA LTUPC455BB | $f_0 \pm 1.5$ | ±15.0 | ±35.0 | 25.0 | 4.0 | 2.0 (±9KHz) | 1000 (LTUPC□A) 1500 (LTUPC□B) |
| LTUPC455CA LTUPC455CB | $f_0 \pm 1.5$ | ±12.5 | ±28.0 | 25.0 | 4.0 | 2.0 (±8KHz) | 1000 (LTUPC□A) 1500 (LTUPC□B) |
| LTUPC455DA LTUPC455DB | $f_0 \pm 1.5$ | ±10.0 | ±20.0 | 27.0 | 4.0 | 2.0 (±7KHz) | 1500 |
| LTUPC455EA LTUPC455EB | $f_0 \pm 1.5$ | ±7.5 | ±15.0 | 27.0 | 6.0 | 2.0 (±5KHz) | 1500 |
| LTUPC455FA LTUPC455FB | $f_0 \pm 1.5$ | ±6.0 | ±12.5 | 27.0 | 6.0 | 2.0 (±4KHz) | 1500 |
| LTUPC455GA LTUPC455GB | $f_0 \pm 1.5$ | ±4.5 | ±10.0 | 25.0 | 6.0 | 2.0 (±3KHz) | 1500 |
| LTUPC455HA LTUPC455HB | $f_0 \pm 1.5$ | ±3.0 | ±9.0 | 25.0 | 6.0 | 2.0 (±2KHz) | 1500 |

- For other frequencies or specifications, please consult with our sales representatives for details.
- Center frequency of 450KHz is also available.



● Electrical Specifications of LTWC

| Part Number | Center Frequency (Center of 6dB Bandwidth) KHz | Bandwidth | | | Stop Band Att. ± 100 KHz dB Max. | Insertion Loss at Min. Loss Point dB Max. | Ripple dB Max. | Spurious Response (0.1~1.0MHz) dB Max. | GDT Ripple Deviation μ Sec Max. | Input/output Impedance Ω |
|-------------|---|-----------------|-----------------|------------------|---|--|---------------------|---|---|---------------------------------------|
| | | 3dB KHz Min. | 6dB KHz Min. | 50dB KHz Max. | | | | | | |
| LTWC455B | $f_0 \pm 1.5$ | ± 10.0 | ± 15.0 | ± 35.0 | 45.0 | 6.0 | 3.0 (± 10 KHz) | 15.0 | 50 (± 10 KHz) | 1000 |
| LTWC455C | $f_0 \pm 1.5$ | ± 8.0 | ± 12.5 | ± 28.0 | 45.0 | 6.0 | 3.0 (± 8 KHz) | 15.0 | 50 (± 8 KHz) | 1000 |
| LTWC455D | $f_0 \pm 1.5$ | ± 7.0 | ± 10.0 | ± 20.0 | 50.0 | 4.0 | 3.0 (± 7 KHz) | 20.0 | 50 (± 7 KHz) | 1500 |
| LTWC455E | $f_0 \pm 1.5$ | ± 5.5 | ± 7.5 | ± 15.0 | 50.0 | 4.0 | 3.0 (± 5 KHz) | 20.0 | 50 (± 5 KHz) | 1500 |
| LTWC455F | $f_0 \pm 1.5$ | ± 4.0 | ± 6.0 | ± 12.0 | 47.0 | 6.0 | 3.0 (± 4 KHz) | 20.0 | 50 (± 4 KHz) | 1500 |
| LTWC455G | $f_0 \pm 1.5$ | ± 3.0 | ± 4.5 | ± 10.0 | 47.0 | 6.0 | 2.0 (± 3 KHz) | 20.0 | 50 (± 3 KHz) | 1500 |
| LTWC455H | $f_0 \pm 1.5$ | ± 2.0 | ± 3.0 | ± 9.5 | 47.0 | 6.0 | 2.0 (± 2 KHz) | 20.0 | 50 (± 2 KHz) | 1500 |

- For other frequencies or specifications, please consult with our sales representatives for details.
- Center frequency of 450KHz is also available.