



## LU3X34FTR Quad 3 V 10/100 Ethernet Transceiver TX/FX

### Overview

The LU3X34FTR is a fully integrated, 4-port 10/100 Mb/s physical layer device with an integrated transceiver. This part was designed specifically for 10/100 Mb/s switches. These applications typically require stringent functionality in addition to very tight board space, power, and cost requirements. The LU3X34FTR supports RMII and SMII interfaces, offering the designer multiple reduced pin count interfaces to save both real estate and cost in system design. The LU3X34FTR was designed from the beginning to conform fully with all pertinent specifications, from the *ISO*<sup>1</sup>/*IEC*<sup>2</sup> 11801 and *EIA*<sup>3</sup>/*TIA* 568 cabling guidelines to *ANSI*<sup>4</sup> X3.263TP-PMD to *IEEE*<sup>5</sup> 802.3 Ethernet specifications.

### Features

- 4-port, single-chip, integrated physical layer and transceivers for 10Base-T, 100Base-TX, or 100Base-FX functions.
- *IEEE* 802.3 compatible 10Base-T and 100Base-T physical layer interface and ANSI X3.263 TP-PMD compatible transceiver.
- Interface support for RMII and SMII switch applications.
- Autonegotiation pin configurability on a per-port basis.
- FX mode configurable on a per-port basis.
- Built-in analog 10 Mbit receive filter, removing the need for external filters.
- Built-in 10 bit transmit filter.
- 10 Mbit PLL, exceeding tolerances for both preamble and data jitter.
- 100 Mbit PLL, combined with the digital adaptive equalizer, robustly handles variations in rise-fall time, excessive attenuation due to channel loss, duty-cycle distortion, crosstalk, and baseline wander.
- Transmit rise-fall time manipulated to provide lower emissions, amplitude fully compatible for proper interoperability.
- Programmable scrambler seed for better FCC compliancy.
- *IEEE* 802.3u Clause 28 compliant autonegotiation for full 10 Mb/s and 100 Mb/s control.
- Extended management support with interrupt capabilities.
- PHY MIB support.
- Low-power 500 mA max.
  - Low-cost 128-pin SQFP packaging with heat spreader.

1. *ISO* is a registered trademark of The International Organization of Standardization.  
2. *IEC* is a registered trademark of The International Electrotechnical Commission.  
3. *EIA* is a registered trademark of Electronic Industries Association.  
4. *ANSI* is a registered trademark of American National Standards Institute, Inc.  
5. *IEEE* is a registered trademark of The Institute of Electrical and Electronics Engineers, Inc.

## Table of Contents

<b>Contents</b>	<b>Page</b>
Overview.....	1
Features .....	1
Description.....	4
Pin Information .....	5
Pin Descriptions.....	7
Functional Description .....	13
Reduced Media Independent Interface (RMII) .....	13
Serial Media Independent Interface (SMII).....	15
Media Independent Interface (MII)—Internal.....	17
100Base-X Module.....	19
Scrambler Block .....	22
100Base-TX Transceiver.....	24
10Base-T Module .....	25
Reset Operation .....	28
MII Registers .....	30
dc and ac Specifications.....	43
Absolute Maximum Ratings.....	43
Clock Timing.....	44
Outline Diagram.....	50
128-Pin SQFP .....	50
Ordering Information.....	51

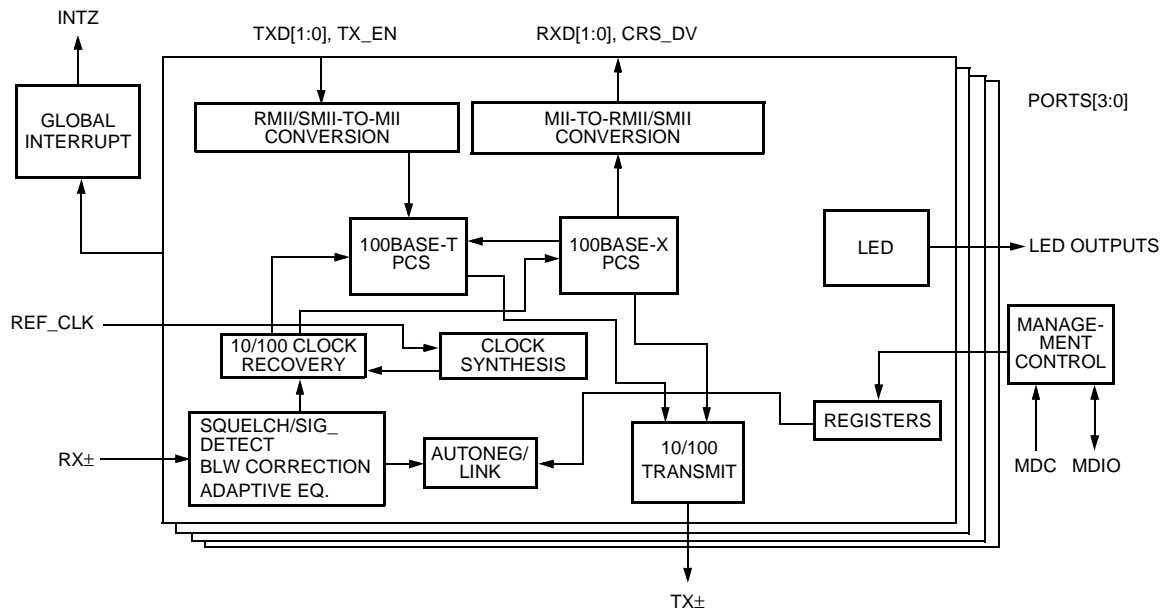
<b>Tables</b>	<b>Page</b>
Table 1. MII Interface Cross-Reference .....	7
Table 2. Twisted-Pair Magnetic Interface .....	8
Table 3. Twisted-Pair Transceiver Control/Transmitter Control .....	8
Table 4. MII Interface (RMII Mode) .....	8
Table 5. MII Interface (SMII Mode) .....	9
Table 6. LED/Configuration Pins.....	10
Table 7. Special Mode Configurations .....	11
Table 8. Clock and Chip Reset .....	12
Table 9. Power and Ground .....	12
Table 10. Receive Data/Status Encoding .....	16
Table 11. Symbol Code Scrambler .....	21
Table 12. Autonegotiation .....	29
Table 13. MII Management Registers .....	30
Table 14. Control Register (Register 0h) .....	30
Table 15. Status Register Bit Definitions (Register 1h).....	32
Table 16. PHY Identifier (Register 2h) .....	34
Table 17. PHY Identifier (Register 3h) .....	34
Table 18. Advertisement (Register 4h) .....	35
Table 19. Autonegotiation Link Partner Ability (Register 5h) .....	36
Table 20. Autonegotiation Expansion Register (Register 6h) .....	36
Table 21. Programmable LED (Register 11h).....	37
Table 22. False Carrier Counter (Register 13h).....	38
Table 23. Receive Error Counter (Register 15h).....	38
Table 24. PHY Control/Status Register (Register 17h).....	38
Table 25. Config 100 Register (Register 18h).....	39
Table 26. PHY Address Register (Register 19h) .....	40

**Table of Contents** (continued)

<b>Tables</b>	<b>Page</b>
Table 27. Config 10 Register (Register 1Ah) .....	41
Table 28. Status 100 Register (Register 1Bh) .....	41
Table 29. Status 10 Register (Register 1Ch) .....	41
Table 30. Interrupt Mask Register (Register 1Dh) .....	42
Table 31. Interrupt Status Register (Register 1Eh) .....	42
Table 32. Absolute Maximum Ratings .....	43
Table 33. Operating Conditions .....	43
Table 34. dc Characteristics .....	43
Table 35. Management Clock .....	44
Table 36. RMII Receive Timing .....	45
Table 37. RMII Transmit Timing .....	45
Table 38. Transmit Timing .....	46
Table 39. Receive Timing .....	46
Table 40. SMII Timing .....	47
Table 41. Reset and Configuration Timing .....	48
Table 42. PMD Characteristics .....	48

<b>Figures</b>	<b>Page</b>
Figure 1. LU3X34FTR Block Diagram .....	4
Figure 2. Pin Diagram (RMII Mode) .....	5
Figure 3. Pin Diagram (SMII Mode) .....	6
Figure 4. Functional Description .....	13
Figure 5. RMII Receive Timing from Internal MII Signals .....	14
Figure 6. SMII Connection Diagram .....	15
Figure 7. Receive Sequence Diagram .....	15
Figure 8. Transmit Sequence Diagram .....	16
Figure 9. 100Base-X Data Path .....	19
Figure 10. 10Base-T Module Data Path .....	25
Figure 11. LED Configuration .....	28
Figure 12. Management Clock .....	44
Figure 13. RMII Receive Timing .....	45
Figure 14. RMII Transmit Timing .....	45
Figure 15. Transmit Timing .....	46
Figure 16. Receive Timing .....	46
Figure 17. SMII Timing .....	47
Figure 18. Reset and Configuration Timing .....	48
Figure 19. PMD Characteristics .....	48
Figure 20. Connection Diagrams (Single-Channel 10/100BTX Operation) .....	49

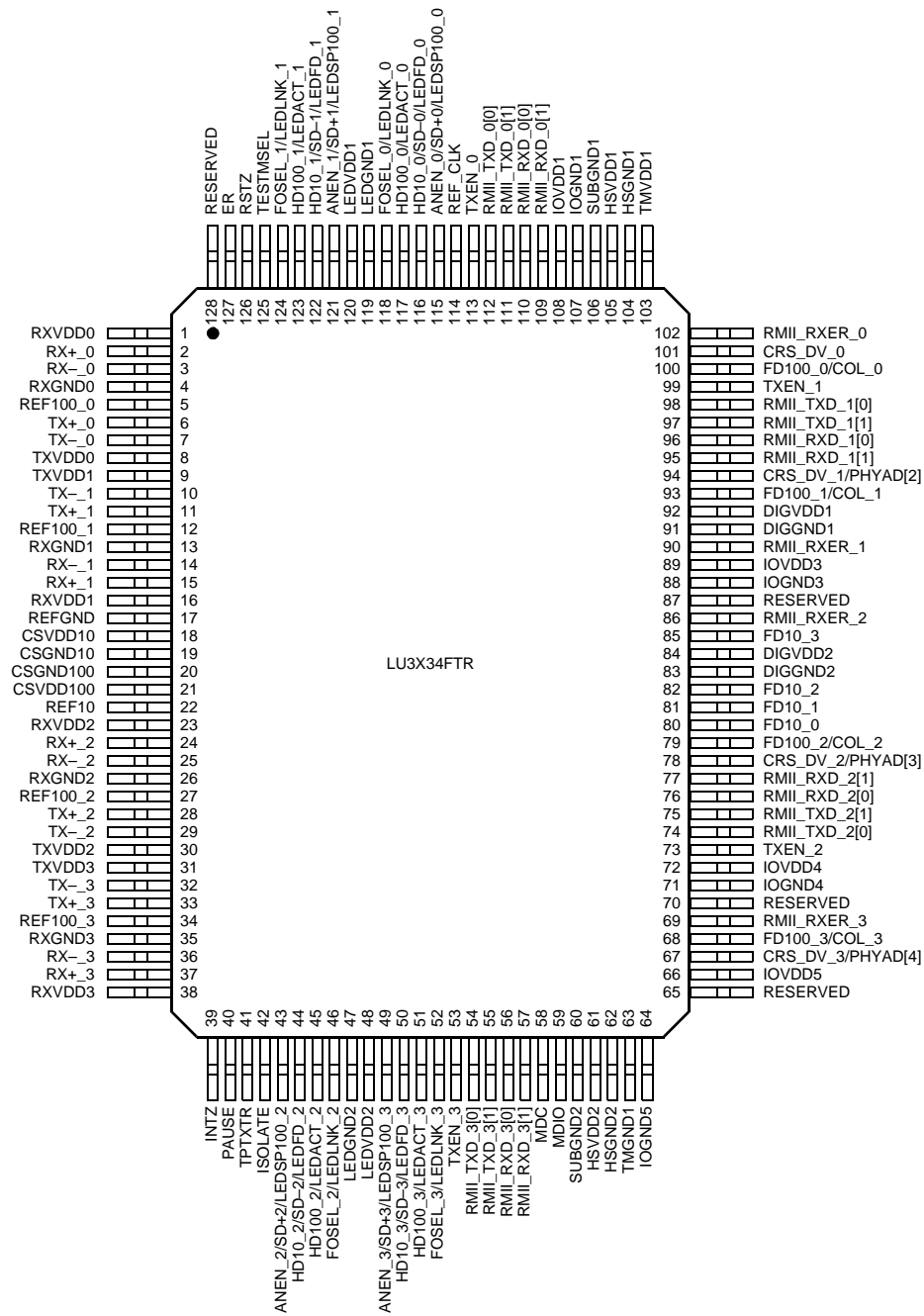
Description



5-7520(F)

Figure 1. LU3X34FTR Block Diagram

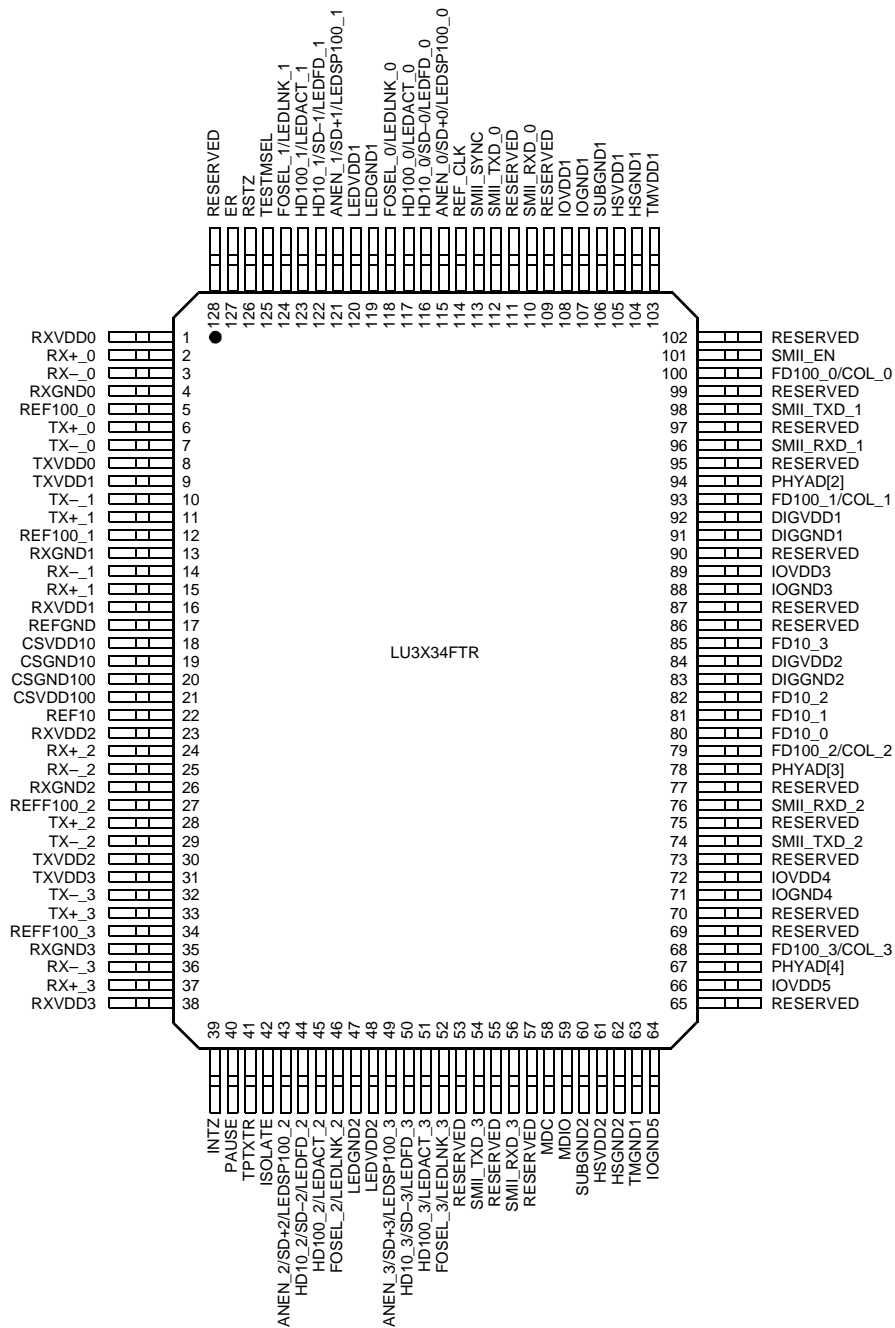
Pin Information



5-7511(F).c.r7

Figure 2. Pin Diagram (RMII Mode)

Pin Information (continued)



5-7511(F).br6

Figure 3. Pin Diagram (SMII Mode)

## Pin Descriptions

Table 1. MII Interface Cross-Reference

Pin Number	RMII Mode	SMII Mode
80	FD10_0	FD10_0
81	FD10_1	FD10_1
82	FD10_2	FD10_2
85	FD10_3	FD10_3
100	FD100_0/CoL_0	FD100_0
93	FD100_1/CoL_1	FD100_1
79	FD100_2/CoL_2	FD100_2
68	FD100_3/CoL_3	FD100_3
99	TXEN_1	RESERVED
73	TXEN_2	RESERVED
53	TXEN_3	RESERVED
113	TXEN_0	SMII_SYNC
102	RMII_RXER_0	RESERVED
112	RMII_TXD_0[0]	SMII_TXD_0
111	RMII_TXD_0[1]	RESERVED
110	RMII_RXD_0[0]	SMII_RXD_0
109	RMII_RXD_0[1]	RESERVED
101	CRS_DV_0	SMII_EN
98	RMII_TXD_1[0]	SMII_TXD_1
97	RMII_TXD_1[1]	RESERVED
96	RMII_RXD_1[0]	SMII_RXD_1
95	RMII_RXD_1[1]	RESERVED
86	RMII_RXER_2	RESERVED
94	CRS_DV_1/PHYAD[2]	PHYAD[2]
78	CRS_DV_2/PHYAD[3]	PHYAD[3]
90	RMII_RXER_1	RESERVED
67	CRS_DV_3/PHYAD[4]	PHYAD[4]
54	RMII_TXD_3[0]	SMII_TXD_3
55	RMII_TXD_3[1]	RESERVED
56	RMII_RXD_3[0]	SMII_RXD_3
57	RMII_RXD_3[1]	RESERVED
69	RMII_RXER_3	RESERVED
74	RMII_TXD_2[0]	SMII_TXD_2
75	RMII_TXD_2[1]	RESERVED
76	RMII_RXD_2[0]	SMII_RXD_2
77	RMII_RXD_2[1]	RESERVED
59	MDIO	MDIO
58	MDC	MDC
87	RESERVED	RESERVED
70	RESERVED	RESERVED
65	RESERVED	RESERVED

Pin Descriptions (continued)

Table 2. Twisted-Pair Magnetic Interface

Pin No.	Pin Name	I/O	Pin Description
6, 11, 28, 33 7, 10, 29, 32	TX+_[0:3] TX-_[0:3]	O	<b>Transmit Driver Pairs.</b> These pins are used to transmit 100Base-T MLT-3 signals across Category 5 UTP cable. 10Base-T Manchester signals across Category 3, 4, or 5 UTP cable in twisted-pair operation or PECL data in fiber mode.
3, 14, 25, 36 2, 15, 24, 37	RX-_[0:3] RX+_[0:3]	I	<b>Receive Pair.</b> These pins receive 100Base-T MLT-3 data or 10Base-T Manchester data from the UTP cable in twisted-pair mode or PECL data in fiber mode.

Table 3. Twisted-Pair Transceiver Control/Transmitter Control

Pin No.	Pin Name	I/O	Pin Description
5, 12, 27, 34	REF100_[0:3]	I	<b>Reference Pin for 100 Mb/s Twisted-Pair Driver.</b> The value of the connected resistor is 301 $\Omega$ .
22	REF10	I	<b>Reference Pin for 10 Mb/s Twisted-Pair Driver.</b> The value for the connected resistor is 4.65 k $\Omega$ .
127	ER	I	<b>Transmit Driver Edge Rate Control.</b> When set to 1, the rise time of the transmit data will be less than 3.5 ns.
41	TPTXTR	I	<b>Network Interface 3-State Control.</b> When high, the transmit drivers for the four ports are 3-stated.

Table 4. MII Interface (RMII Mode)

Pin No.	Pin Name*	I/O	Pin Description
99, 73, 53	TXEN_[1:3]	I	<b>Transmit Enable for Ports 1—3.</b>
113	TXEN_0	I	<b>Transmit Enable for Port 0.</b>
102	RMII_RXER_0	I/O	<b>Receiver Error Output for Port 0.</b> Indicates an illegal code-group has been received.
112, 111	RMII_TXD_0[0:1]	I	<b>Transmit Data for Port 0.</b>
110, 109	RMII_RXD_0[0:1]	I/O	<b>Receive Data for Port 0.</b>
101	CRS_DV_0/SMII_EN	I/O↓	<b>CRS_DV Output for Port 0.</b> During reset, this is an input pin; logic level of 0 at this pin enables RMII mode. This pin has an internal 40 k $\Omega$ pull-down resistor that sets the MII interface to RMII mode without an external component. After reset, CRS_DV output for port 0 is asserted only during receive activity.
98, 97	RMII_TXD_1[0:1]	I/O	<b>Transmit Data for Port 1.</b>
96, 95	RMII_RXD_1[0:1]	O	<b>Receive Data for Port 1.</b>
94	CRS_DV_1/PHYAD[2]	I/O↓	<b>CRS_DV Output for Port 1.</b> During reset, this is an input pin for PHY_address[2] configuration. This pin has an internal 40 k $\Omega$ pull-down resistor that sets the PHY_AD[2] to a 0 without an external component. After reset, CRS_DV output for port 1 and is asserted only during receive activity.



## Pin Descriptions (continued)

**Table 4. MII Interface (RMII Mode) (continued)**

Pin No.	Pin Name*	I/O	Pin Description
90	RMII_RXER_1	O	<b>Receiver Error Output for Port 1.</b>
78	CRS_DV_2/PHYAD[3]	I/O↓	<b>CRS_DV Output for Port 2.</b> During reset, this is an input pin for PHY_address[3] configuration. This pin has an internal 40 kΩ pull-down resistor that sets the PHY_AD[3] to a 0 without an external component. After reset, CRS_DV output for port 2 and is asserted only during receive activity.
74, 75	RMII_TXD_2[0:1]	I/O	<b>Transmit Data for Port 2.</b>
76, 77	RMII_RXD_2[0:1]	O	<b>Receive Data for Port 2.</b>
86	RMII_RXER_2	O	<b>Receiver Error for Port 2.</b>
67	CRS_DV_3/PHYAD[4]	I/O↓	<b>CRS_DV Output for Port 3.</b> During reset, this is an input pin for PHY_address[4] configuration. This pin has an internal 40 kΩ pull-down resistor that sets the PHY_AD[4] to a 0 without an external component. After reset, CRS_DV output for port 3 and is asserted only during receive activity.
54, 55	RMII_TXD_3[0:1]	I	<b>Transmit Data for Port 3.</b>
56, 57	RMII_RXD_3[0:1]	I/O	<b>Receive Data for Port 3.</b>
69	RMII_RXER_3	O	<b>Receive Error Output for Port 3.</b>
59	MDIO	I/O	<b>Management Data for Serial Register Access.</b>
58	MDC	I	<b>Management Clock.</b> Max clock rate = 2.5 MHz.
65, 87, 70	RESERVED	O	<b>Reserved.</b> Leave this pin float.

\* Smaller font indicates that the pin has multiple functions.

**Table 5. MII Interface (SMII Mode)**

Pin No.	Pin Name*	I/O	Pin Description
113	SMII_SYNC	I	<b>SMII Sync Input.</b>
112	SMII_TXD_0	I	<b>Transmit Data for Port 0.</b>
110	SMII_RXD_0	I/O	<b>Receive Data for Port 0.</b>
101	SMII_EN	I/O↓	<b>SMII_EN.</b> This pin must be pulled high at powerup or reset to enable SMII mode. This input has an internal 40 kΩ pull-down resistor.
98	SMII_TXD_1	I/O	<b>Transmit Data for Port 1.</b>
96	SMII_RXD_1	O	<b>Receive Data for Port 1.</b>
67, 78, 94	PHYAD[4:2]	I/O	<b>Configure PHY Address.</b> These pins configure PHY_address 4 through 2 at powerup or reset. Each of these pins has an internal 40 kΩ pull-down resistor that sets the corresponding PHY_AD to 0, without an external component.
54	SMII_TXD_3	I	<b>Transmit Data for Port 3.</b>
56	SMII_RXD_3	I/O	<b>Receive Data for Port 3.</b>
74	SMII_TXD_2	I/O	<b>Transmit Data for Port 2.</b>
76	SMII_RXD_2	O	<b>Receive Data for Port 2.</b>
59	MDIO	I/O	<b>Management Data for Serial Register Access.</b> An external resistive pull-up is needed on this pin.

**Pin Descriptions** (continued)

**Table 5. MII Interface (SMII Mode)** (continued)

Pin No.	Pin Name*	I/O	Pin Description
58	MDC	I	<b>Management Clock.</b> Max clock rate = 2.5 MHz.
53, 55, 73, 75, 97, 99, 111	RESERVED	I	<b>Reserved.</b> Tie to ground.
57, 69, 77, 86, 90, 95, 102, 109	RESERVED	0	<b>Reserved.</b> Let this pin float.

\* Smaller font indicates that the pin has multiple functions.

**Table 6. LED/Configuration Pins**

Pin No.	Pin Name	I/O	Pin Description
80, 81, 82, 85	FD10_[0:3]	I	<b>Full-Duplex 10 Mb/s.</b> These pins are latched at reset to configure the ports to 10 Mb/s full-duplex mode if autonegotiation is disabled. These pins will set bit [6] in register 4h, the autonegotiation ability register.
100, 93, 79, 68	FD100_[0:3]/ COL_[0:3]	I↑	<b>Full-Duplex 100 Mb/s.</b> In switch mode, these pins are latched at reset to configure the ports to 100 Mb/s full-duplex mode if autonegotiation is disabled. These pins will set bit [8] in register 4h, the autonegotiation ability register. These inputs have internal 40 kΩ pull-up resistors.  <b>Collision Status Output.</b> It is asserted during half-duplex mode when transmit and receive activities are active simultaneously.
115, 121, 43, 49	LEDSP100_[0:3]/ ANEN_[0:3]/ SD+[0:3]	I/O↑	<b>Speed LED Output.</b> In twisted-pair mode, these LED outputs indicate 100 Mb/s line speed for ports 0—3.  <b>Autonegotiation Enable.</b> If the FOSEL pin detects logic low during reset, these are input pins to configure ports 0—3 to enable autonegotiation and sets bit 12 in register 0h.  <b>Signal Detect +.</b> In fiber mode, these pins are signal detect + inputs.  These pins have an internal 40 kΩ pull-up resistor.

Pin Descriptions (continued)

Table 6. LED/Configuration Pins (continued)

Pin No.	Pin Name	I/O	Pin Description
116, 122, 44, 50	LEDFD_[0:3]/ HD10_[0:3]/ SD-[0:3]	I/O↑	<p><b>Full-Duplex LED Output.</b> Indicates full duplex for ports 0—3.</p> <p><b>10 Mbits/s Half-Duplex Operation.</b> If FOSEL is low during powerup or reset, these are input pins that configure ports 0—3 for 10 Mbits/s half-duplex operation and sets register 4, bit 5 (see Figure 12). When autonegotiation is disabled, it sets register 0, bit 13, the speed bit, to 0 and bit 8, the duplex mode bit, to 0. If fiber mode is selected, bit 5, register 4h will be set to 0.</p> <p><b>Signal Detect –.</b> In fiber mode, these pins are the negative signal detect input from the fiber module. These pins have an internal 40 kΩ pull-up resistor.</p>
117, 123, 45, 51	LEDCOL_[0:3]/ HD100_[0:3]	I/O↑	<p><b>Activity LED Outputs.</b> These pins indicate collision status of ports 0—3, respectively.</p> <p><b>100 Mbit/s Half-Duplex Operation.</b> During powerup or reset, these are input pins to configure ports 0—3 for 100 Mbits/s half-duplex operation and sets register 4, bit 7 (see Figure 12). If autonegotiation is disabled, it sets bit 13 in register 0 to 1. These pins have an internal 40 kΩ pull-up resistor.</p>
40	PAUSE	I	<p><b>Pause.</b> The logic level of this pin is latched into register 4, bit 10 for all four ports during powerup or reset. It is used to inform the autonegotiation link partner that the MAC sublayer has pause/flow control capability when set in full-duplex mode. This must not be set to 1 unless FD is also set.</p>

Table 7. Special Mode Configurations

Pin No.	Pin Name*	I/O	Pin Description
118, 124, 46, 52	LEDLNK_[0:3]/ FOSEL_[0:3]	I/O↓	<p><b>Link LED Output.</b> Each of these LEDs turns on when there is a good link and blinks when there is activity.</p> <p><b>Fiber-Optic Select.</b> These are input pins during powerup and reset to configure ports 0—3 into fiber-optic mode (see Figure 12). These pins have an internal 40 kΩ pull-down resistor.</p>
39	INTZ	O	<b>Interrupt.</b> Open drain only pin.
125	TESTMSEL	I	<b>Test Mode Select.</b> This pin should be tied low.
42	ISOLATE	I	<b>Isolate.</b> If this pin is high, all MII inputs are ignored and all MII outputs are 3-stated.
128, 87, 70, 65	RESERVED	—	<b>Reserved.</b> These are a reserved pins and should be left floating.

\* Smaller font indicates that the pin has multiple functions.

Pin Descriptions (continued)

Table 8. Clock and Chip Reset

Pin No.	Pin Name	I/O	Pin Description
114	REF_CLK	I	<b>Reference Clock.</b> In RMII mode, this is the 50 MHz clock input. In SMII mode, this is the 125 MHz clock input.
126	RSTZ	I	<b>Reset.</b> Active-low reset signal to be asserted for at least 1 ms.

Table 9. Power and Ground

Plane	Vcc Pin		Associated Ground Pin	
	Name	Pin No.	Name	Pin No.
RX Analog	RXVDD0	1	RXGND0	4
	RXVDD1	16	RXGND1	13
	RXVDD2	23	RXGND2	26
	RXVDD3	38	RXGND3	35
			REFGND	17
TX Analog	TXVDD0	8	—	—
	TXVDD1	9		
	TXVDD2	30		
	TXVDD3	31		
CS	CSVDD10	18	CSGND10	19
	CSVDD100	21	CSGND100	20
Digital	HSVDD1	105	HSGND1	104
	HSVDD2	61	HSGND2	62
	DIGVDD1	92	DIGGND1	91
	DIGVDD2	84	DIGGND2	83
	IOVDD1	108	IOGND1	107
	IOVDD3	89	IOGND3	88
	IOVDD4	72	IOGND4	71
	IOVDD5	66	IOGND5	64
	LEDVDD1	120	LEDGND1	119
	LEDVDD2	48	LEDGND2	47
	TMVDD1	103	TMGND1	63
			SUBGND1	106
			SUBGND2	60

## Functional Description

The LU3X34FTR integrates four 100Base-X physical sublayers (PHY), 100Base-TX physical medium dependent (PMD) transceivers, and four complete 10Base-T modules into a single chip for both 10 Mbits/s and 100 Mbits/s Ethernet operation. It also supports 100Base-FX operation through external fiber-optic transceivers. This device provides a reduced media independent interface (RMII) or serial media independent interface (SMII) to communicate between the physical signaling and the medium access control (MAC) layers for both 100Base-X and 10Base-T operations. The device is capable of operating in either full-duplex mode or half-duplex mode in either 10 Mbits/s or 100 Mbits/s operation. Operational modes can be selected by hardware configuration pins or software settings of management registers, or can be determined by the on-chip autonegotiation logic.

The 10Base-T section of the device consists of the 10 Mbits/s transceiver module with filters and a Manchester ENDEC module.

The 100Base-X section of the device implements the following functional blocks:

- 100Base-X physical coding sublayer (PCS).
- 100Base-X physical medium attachment (PMA).
- Twisted-pair transceiver (PMD).

The 100Base-X and 10Base-T sections share the following functional blocks:

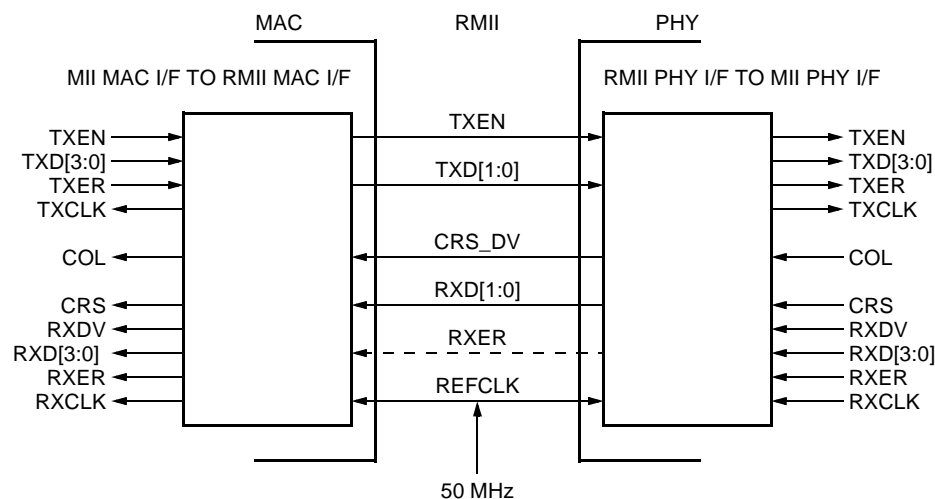
- Clock synthesizer module (CSM).
- MII registers.
- IEEE 802.3u autonegotiation.

Additionally, there is an interface module that converts the internal MII signals of the PHY to RMII signal pins. Each of these functional blocks is described below.

### Reduced Media Independent Interface (RMII)

This interface reduces the interconnect circuits between a MAC and PHY. In switch applications, this protocol helps to reduce the pin count on the switch ASIC significantly. A regular 16-pin MII reduces to a 7-pin (8-pin with an optional RXER pin) RMII. The interconnect circuits are the following:

1. REF\_CLK: A 50 MHz clock.
2. TX\_EN.
3. TXD[1:0].
4. RXD[1:0].
5. CRS\_DV.
6. RXER: Mandatory for the PHY, but optional for the switch.



5-7505(F).r1

Figure 4. Functional Description

**Functional Description** (continued)

**Transmit Data Path**

The PHY uses the 50 MHz REF\_CLK as its reference so that TXC (at the internal MII) and REF\_CLK maintain a phase relationship. This helps to avoid elasticity buffers on the transmit side. On the rising edge of REF\_CLK, 2-bit data is provided on the RMII TXD[1:0] when TXEN is high. TXD[1:0] will be 00 to indicate idle when TXEN is deasserted.

**TX 10 Mb/s Mode**

The REF\_CLK frequency is ten times the data rate in this mode; therefore, the value on TXD[1:0] will be valid such that TXD[1:0] may be sampled every tenth cycle, regardless of the starting cycle within the group.

**TX 100 Mb/s Mode**

There will be valid data on TXD[1:0] for each REF\_CLK period when TXEN is asserted.

**Receive Data Path**

RXCLK (at the internal MII) is derived from the incoming data and, hence, does not maintain a phase relationship with REF\_CLK. Therefore, an elasticity buffer is required on the receive path. An 8-nibble deep elasticity buffer is required based on the ppm variation of the clocks. CRS\_DV is asserted asynchronously. Preamble is output onto the RMII once the internal signal RX\_DV is asserted (on the rising edge of the

REF\_CLK). CRS\_DV is deasserted asynchronously with the fall of RX\_DV, but CRS\_DV keeps toggling as long as data is being flushed out of the elasticity buffer.

**RX 10 Mb/s Mode**

After the assertion of CRS\_DV, the receive data signals, RXD[1:0], will be 00 until the 10Base-T PHY has recovered the clock and decoded the receive data. Since REF\_CLK is 10 times the data rate in this mode, the value on RXD[1:0] will be valid such that it can be sampled every tenth cycle, regardless of the starting cycle within the group.

**RX 100 Mb/s Mode**

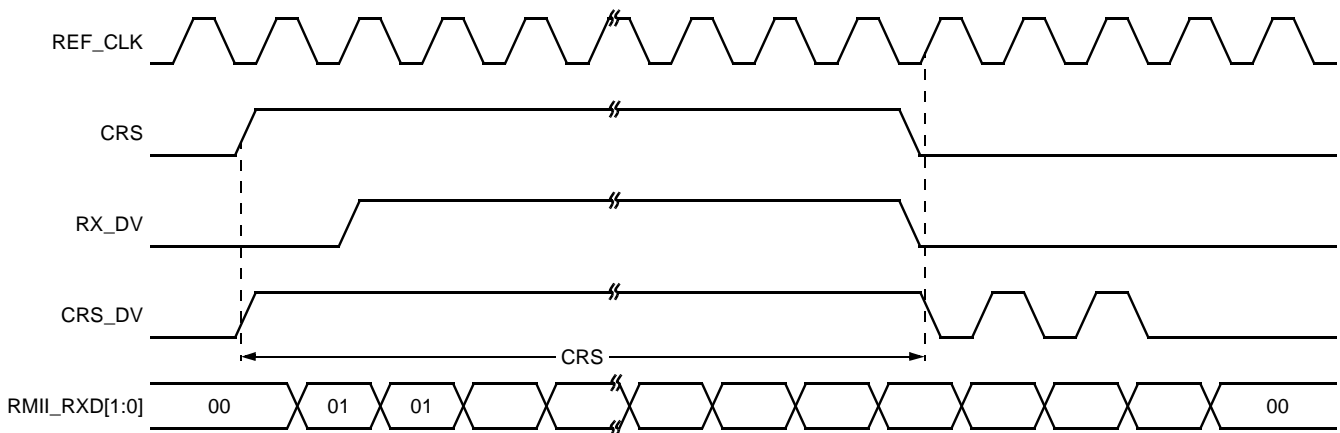
After the assertion of CRS\_DV, the receive data signals, RXD[1:0] will be 00 until the start-of-stream (SSD) delimiter has been detected.

**Collision Detection**

The RMII does not have a collision signal, so all collisions are detected internal to the MAC. This is an AND function of TXEN and CRS derived from CRS\_DV. CRS\_DV cannot be directly ANDed with TXEN, because CRS\_DV may toggle at the end of a frame to provide separation between CRS and RXDV.

**Receiver Error**

The RX\_ER signal is asserted for one or more REF\_CLK periods to indicate that an error was detected within the current receive frame.



5-7506(F).r2

**Figure 5. RMII Receive Timing from Internal MII Signals**

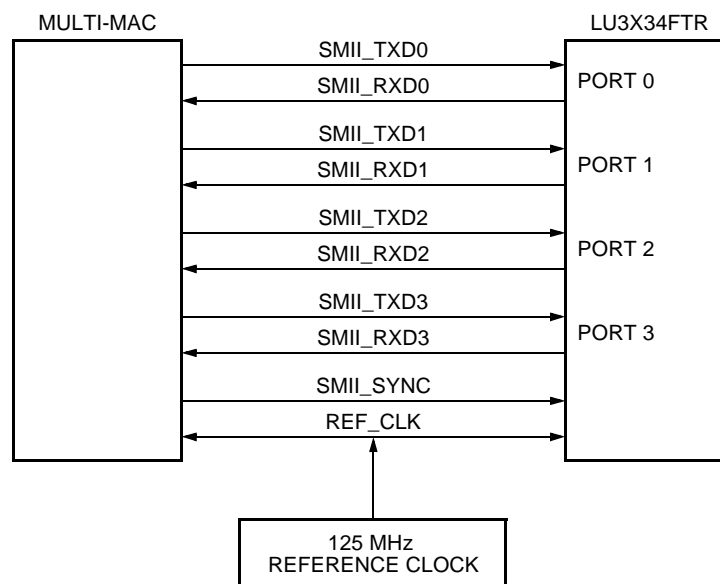
## Functional Description (continued)

### Loopback

During normal operation, TXD[1:0] and TX\_EN will not be looped back to CRS\_DV and RXD[1:0].

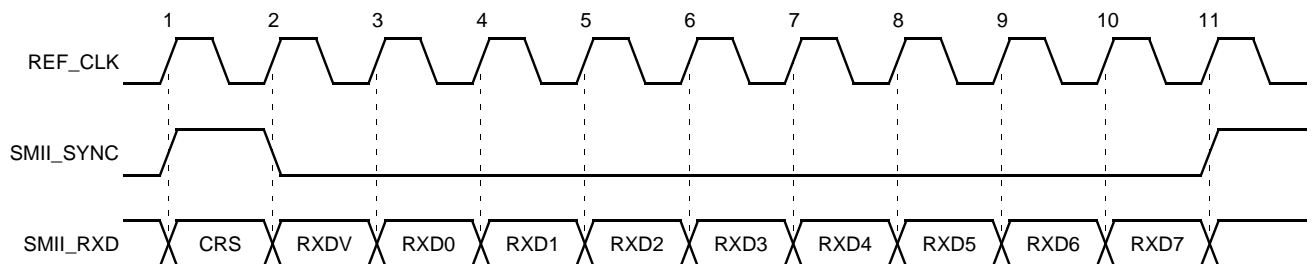
### Serial Media Independent Interface (SMII)

The SMII allows a further reduction in the number of signals that are required to interface a PHY to a MAC. There are two global signals, CLK125 and SYNC, and two per-port signals, RXD, TXD. All signals are synchronous to the 125 MHz clock.



5-7507(F).r4

Figure 6. SMII Connection Diagram



5-7507(F).r4

Figure 7. Receive Sequence Diagram

**Functional Description** (continued)

**Receive Path**

Receive data and control information are signaled in 10-bit segments. These 10-bit boundaries are delimited by the SYNC signal. The connected MAC should generate these SYNC pulses every ten clocks. In 100 Mbits/s mode, each segment represents a new byte of data. In 10 Mbits/s mode, each segment is repeated ten times, so every ten segments represents a new byte of data.

The receive sequence contains all of the information found on the standard MII receive path. RXD[7:0] convey packet data whenever the RXDV bit is set. During an interframe gap, RXDV bit is set to 0 and RXD[7:0] indicate receiver status. Bit RXD5 indicates the validity of the upper nibble of the last byte of data of the previous frame. Bit RXD0 indicates an error detected by the PHY in the previous frame. Both of these bits will be valid in the segment immediately following a frame, and will remain valid until the first data segment of the next frame.

**Transmit Data Path**

Transmit data and control information are signaled in 10-bit segments similar to the receive path. These 10-bit boundaries are delimited by the SYNC signal. The connected MAC should generate these SYNC pulses every ten clocks. In 100 Mbits/s mode, each new segment represents a new byte of data. In 10 Mbits/s mode, each segment is repeated ten times; therefore, every ten segments represents a new byte of data. The PHY can sample one of every ten segments.

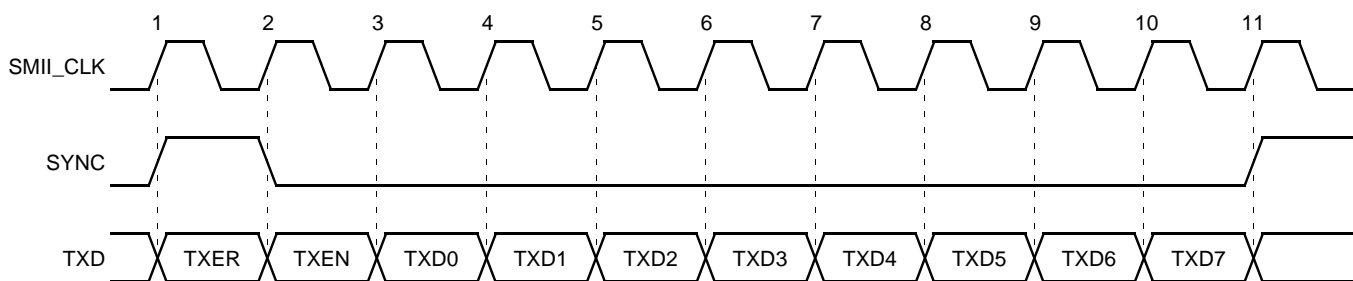
The PHY is concerned only with packet data, so there is no status information passed from the MAC to the PHY during the interframe gap; this is unlike the receive side.

**Collision Detection**

The PHY does not directly indicate that a collision has occurred. It is left up to the MAC to detect the assertion of both CRS and TXEN.

**Table 10. Receive Data/Status Encoding**

CRS	RXDV	RXD0	RXD1	RXD2	RXD3	RXD4	RXD5	RXD6	RXD7
X	0	Rcvr error in the previous frame.	Speed: 0 = 10 Mbits/s 1 = 100 Mbits/s	Duplex: 0 = half 1 = full	Link: 0 = no link 1 = good link	Jabber: 0 = OK 1 = detected	Upper nibble: 0 = invalid 1 = valid	False carrier: 0 = OK 1 = detected	1
X	1	One Data Byte (two MII nibbles)							



5-7508(F).r1

**Figure 8. Transmit Sequence Diagram**



## Functional Description (continued)

### Media Independent Interface (MII)—Internal

The LU3X34FTR implements *IEEE* 802.3u Clause 22 compliant MII interface which connects to the MII-RMII module. This module converts the 4-bit MII receive data to 2-bit RMII receive data. Similarly, it converts the 2-bit RMII transmit data (received from the MAC) to 4-bit MII transmit data. The following describes the internal MII functions.

#### Transmit Data Interface

Each internal MII transmit data interface comprises seven signals: TXD[3:0] are the nibble size data path, TXEN signals the presence of data on TXD, TXER indicates substitution of data with the HALT symbol, and TXCLK carries the transmit clock that synchronizes all the transmit signals. TXCLK is usually supplied by the on-chip clock synthesizer.

#### Receive Data Interface

Each internal MII receive data interface also comprises seven signals: RXD[3:0] are the nibble size data path, RXDV signals the presence of data on RXD, RXER indicates the validity of data, and RXCLK carries the receive clock. Depending upon the operation mode, RXCLK signal is generated by the clock recovery module of either the 100Base-X or 10Base-T receiver.

#### Status Interface

Two internal MII status signals, COL and CRS, are generated in each of the four channels to indicate collision status and carrier sense status. COL is asserted asynchronously whenever the respective channel of LU3X34FTR is transmitting and receiving at the same time in a half-duplex operation mode. CRS is asserted asynchronously whenever there is activity on either the transmitter or the receiver. In repeater or full-duplex mode, CRS is asserted only when there is activity on the receiver.

#### Operation Modes

Each channel of the LU3X34FTR supports two operation modes and an isolate mode as described below.

**100 Mb/s Mode.** For 100 Mb/s operation, the internal MII operates in nibble mode with a clock rate of 25 MHz. In normal operation, the internal MII data at RXD[3:0] and TXD[3:0] are 4 bits wide.

**10 Mb/s Mode.** For 10 Mb/s nibble mode operation, the TXCLK and RXCLK operate at 2.5 MHz. The

data paths are 4 bits wide using TXD[3:0] and RXD[3:0] signal lines.

**MII Isolate Mode.** The LU3X34FTR implements an MII isolate mode that is controlled by bit 10 of each one of the four control registers (register 0h). At reset, LU3X34FTR will initialize this bit to the logic level transition of the ISOLATE pin. Setting the bit to a 1 will also put the port in MII isolate mode.

When in isolate mode, the specified port on the LU3X34FTR does not respond to packet data present at TXD[3:0], TXEN, and TXER inputs and presents a high impedance on the TXCLK, RXCLK, RXDV, RXER, RXD[3:0], COL, and CRS outputs. The LU3X34FTR will continue to respond to all management transactions while the PHY is in isolate mode.

#### Serial Management Interface (SMI)

The serial management interface is used to obtain status and to configure the PHY. This mechanism corresponds to the MII specifications for 100Base-X (Clause 22), and supports registers 0 through 6. Additional vendor-specific registers are implemented within the range of 16 to 31. All the registers are described in the MII Registers section.

#### Management Register Access

The SMI consists of two pins, management data clock (MDC) and management data input/output (MDIO). The LU3X34FTR is designed to support an MDC frequency specified in the *IEEE* specification of up to 2.5 MHz. The MDIO line is bidirectional and may be shared by up to 32 devices.

The MDIO pin requires a 1.5 k $\Omega$  pull-up resistor which, during idle and turnaround periods, will pull MDIO to a logic one state. Each MII management data frame is 64 bits long. The first 32 bits are preamble consisting of 32 contiguous logic one bits on MDIO and 32 corresponding cycles on MDC. Following preamble is the start-of-frame field indicated by a <01> pattern. The next field signals the operation code (OP): <10> indicates read from MII management register operation, and <01> indicates write to MII management register operation. The next two fields are PHY device address and MII management register address. Both of them are 5 bits wide, and the most significant bit is transferred first.

During read operation, a 2-bit turnaround (TA) time spacing between the register address field and data field is provided for the MDIO to avoid contention. Following the turnaround time, a 16-bit data stream is read from or written into the MII management registers of the LU3X34FTR.

## Functional Description (continued)

The LU3X34FTR supports a preamble suppression mode as indicated by a 1 in bit 6 of the basic mode status register (BMSR, address 01h). If the station management entity (i.e., MAC or other management controller) determines that all PHYs in the system support preamble suppression by reading a 1 in this bit, then the station management entity need not generate preamble for each management transaction. The LU3X34FTR requires a single initialization sequence of 32 bits of preamble following powerup/hardware reset. This requirement is generally met by the mandatory pull-up resistor on MDIO or the management access made to determine whether preamble suppression is supported. While the LU3X34FTR will respond to management accesses without preamble, a minimum of one idle bit between management transactions is required as specified in *IEEE 802.3u*.

The PHY device address is stored in bits [4:0] of the PHY address register (register address 19h). During powerup or hardware reset, the upper 3 bits of this field

are initialized by the three I/O pins designated as PHY[4:2] and can be subsequently changed by writing into this register address (19h). The lower 2 bits are initialized to 00, and represent the PHY address for port 1. All subsequent ports have their PHY address increment from this base address (i.e., PHY address for port 1 = 10h, PHY address for port 2 = 11h, PHY address for port 3 = 12h, PHY address for port 4 = 13h).

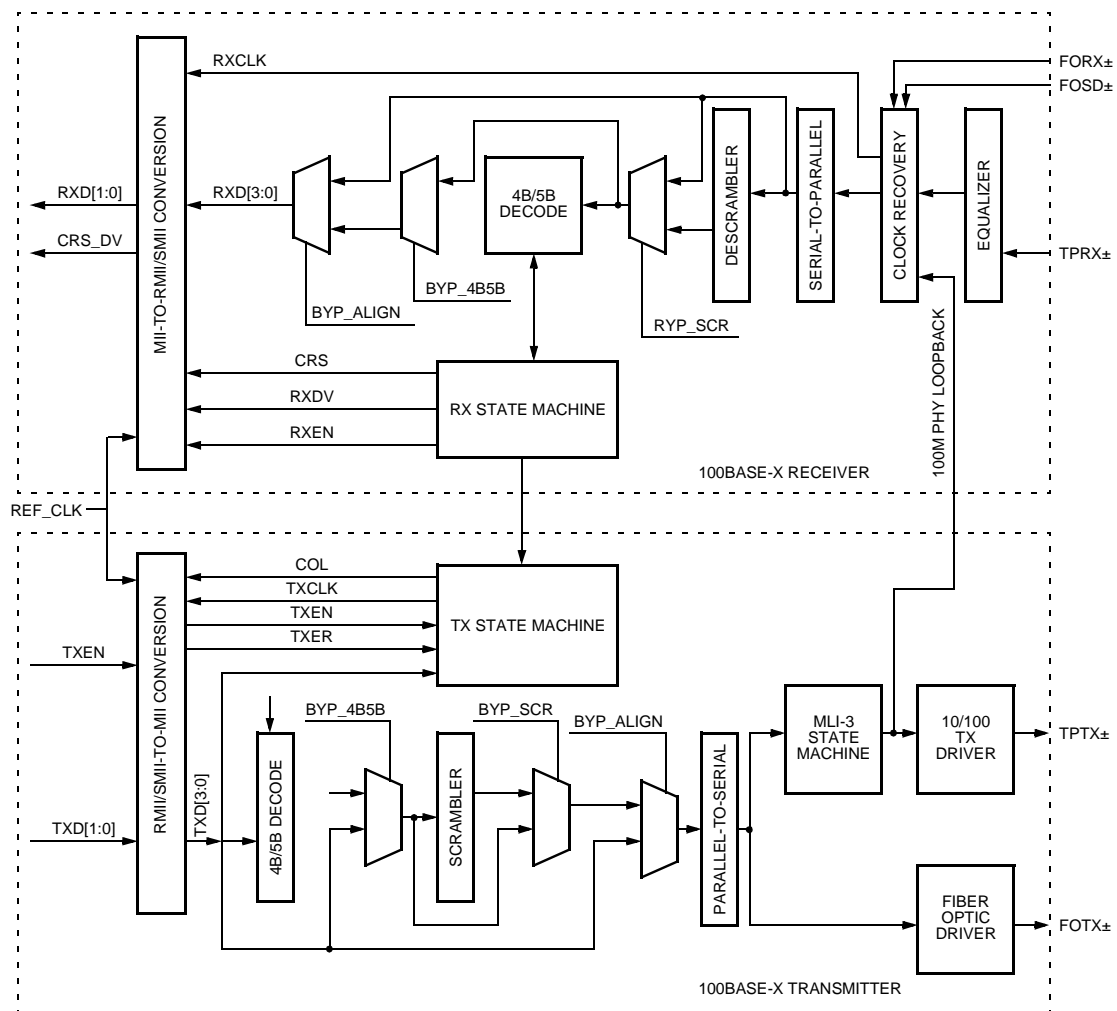
### MDIO Interrupt

The LU3X34FTR implements interrupt capability that can be used to notify the management station of certain events. Interrupt requested by any of the four PHYs is combined in this pin. It generates an active-low interrupt pulse of 80 ns wide on the INTZ output pin whenever one of the interrupt status registers (register address 1Eh) becomes set while its corresponding interrupt mask register (register address 1Dh) is unmasked. Reading the interrupt status register (register 1Eh) shows the source of the interrupt and clears the interrupt output signal.

## Functional Description (continued)

### 100Base-X Module

The LU3X34FTR implements 100Base-X compliant PCS and PMA and 100Base-TX compliant TP-PMD as illustrated in Figure 9. Bypass options for each of the major functional blocks within the 100Base-X PCS provides flexibility for various applications. 100 Mbits/s PHY loopback is included for diagnostic purposes.



5-7519(F)

Figure 9. 100Base-X Data Path

## Functional Description (continued)

### 100Base-X Transmitter

The 100Base-X transmitter consists of functional blocks which convert synchronous 4-bit nibble data, as provided by the internal MII, to a 125 Mb/s serial data stream. This data stream may be routed either to the on-chip twisted-pair PMD for 100Base-TX signaling, or to an external fiber-optic PMD for 100Base-FX applications. The LU3X34FTR implements the 100Base-X transmit state machine as specified in the *IEEE 802.3u Standard, Clause 24* and comprises the following functional blocks in its data path:

- Symbol encoder.
- Scrambler block.
- Parallel/serial converter and NRZ/NRZI encoder block.

### Symbol Encoder

The symbol encoder converts 4-bit (4B) nibble data generated by the RMII-MII module into 5-bit (5B) symbols for transmission. This conversion is required to allow control symbols to be combined with data symbols. Refer to Table 11 for 4B to 5B symbol mapping.

Following onset of the TXEN signal, the 4B/5B symbol encoder replaces the first two nibbles of the preamble from the MAC frame with a /J/K code-group pair (11000 10001) start-of-stream delimiter (SSD). The symbol encoder then replaces subsequent 4B codes with corresponding 5B symbols. Following negation of the TXEN signal, the encoder substitutes the first two idle symbols with a /T/R code-group pair (01101 00111) end-of-stream delimiter (ESD) then continuously injects idle symbols into the transmit data stream until the next transmit packet is detected.

**Functional Description** (continued)

**Table 11. Symbol Code Scrambler**

Symbol Name	5B Code [4:0]	4B Code [3:0]	Interpretation
0	11110	0000	Data 0.
1	01001	0001	Data 1.
2	10100	0010	Data 2.
3	10101	0011	Data 3.
4	01010	0100	Data 4.
5	01011	0101	Data 5.
6	01110	0110	Data 6.
7	01111	0111	Data 7.
8	10010	1000	Data 8.
9	10011	1001	Data 9.
A	10110	1010	Data A.
B	10111	1011	Data B.
C	11010	1100	Data C.
D	11011	1101	Data D.
E	11100	1110	Data E.
F	11101	1111	Data F.
I	11111	undefined	Idle: interstream fill code.
J	11000	0101	First start-of-stream delimiter.
K	10001	0101	Second start-of-stream delimiter.
T	01101	undefined	First end-of-stream delimiter.
R	00111	undefined	Second end-of-stream delimiter.
H	00100	undefined	Halt: transfer error.
V	00000	undefined	Invalid code.
V	00001	undefined	Invalid code.
V	00010	undefined	Invalid code.
V	00011	undefined	Invalid code.
V	00101	undefined	Invalid code.
V	00110	undefined	Invalid code.
V	01000	undefined	Invalid code.
V	01100	undefined	Invalid code.
V	10000	undefined	Invalid code.
V	11001	undefined	Invalid code.

## Functional Description (continued)

### Scrambler Block

For 100Base-TX applications, the scrambler is required to control the radiated emissions at the media connector and on the twisted-pair cable.

The LU3X34FTR implements a data scrambler as defined by the TP-PMD stream cipher function. The scrambler uses an 11-bit ciphering linear feedback shift register (LFSR) with the following recursive linear function:

$$X[n] = X[n - 11] + X[n - 9] \text{ (modulo 2)}$$

The output of the LFSR is combined with data from the encoder via an exclusive-OR logic function. By scrambling the data, the total energy launched onto the cable is randomly distributed over a wide frequency range.

A seed value for the scrambler function can be loaded by setting bit 4 of register 18h. When this bit is set, the contents of bits [10:0] of register 19h (that are composed of the 5-bit PHY address and a 6-bit user seed) will be loaded into the LFSR. By specifying unique seed value for each PHY in a system, the total EMI energy produced by a repeater application can be reduced.

### Parallel-to-Serial and NRZ-to-NRZI Conversion

After the transmit data stream is scrambled, data is loaded into a shift register and clocked out with a 125 MHz clock into a serial bit stream. The serialized data is further converted from NRZ-to-NRZI format, which produces a transition on every logic one and no transition on logic zero.

### Collision Detect

During 100 Mb/s half-duplex operation, collision condition is detected if the transmitter and receiver become active simultaneously. Collision detection is indicated by the COL signal of the internal MII. For full-duplex applications, the COL signal is never asserted.

### 100Base-X Receiver

The 100Base-X receiver consists of functional blocks required to recover and condition the 125 Mb/s receive data stream. The LU3X34FTR implements the 100Base-X receive state machine diagram as given in ANSI/IEEE Standard 802.3u, Clause 24. The

125 Mb/s receive data stream may originate from the on-chip twisted-pair transceiver in a 100Base-TX application. Alternatively, the receive data stream may be generated by an external optical receiver as in a 100Base-FX application.

The receiver block consists of the following functional blocks:

- Equalizer.
- Clock recovery module.
- NRZI/NRZ and serial/parallel decoder.
- Descrambler.
- Symbol alignment block.
- Symbol decoder.
- Collision detect block.
- Carrier sense block.
- Stream decoder block.

### Clock Recovery

The clock recovery module accepts 125 Mb/s scrambled NRZI data stream from either the on-chip 100Base-TX receiver or from an external 100Base-FX transceiver. The LU3X34FTR uses an onboard digital phase-locked loop (PLL) to extract clock information of the incoming NRZI data, which is then used to retime the data stream and set data boundaries.

After power-on or reset, the PLL locks to a free-running 25 MHz clock derived from the external clock source. When initial lock is achieved, the PLL switches to lock to the data stream, extracts a 125 MHz clock from the data, and uses it for bit framing of the recovered data.

### NRZI-to-NRZ and Serial-to-Parallel Conversion

The recovered data is converted from NRZI to NRZ. The data is not necessarily aligned to 4B/5B code-group's boundary.

### Data Descrambling

The descrambler acquires synchronization with the data stream by recognizing idle bursts of 40 or more bits and locking its deciphering linear feedback shift register (LFSR) to the state of the scrambling LFSR. Upon achieving synchronization, the incoming data is XORed by the deciphering LFSR and descrambled.

## Functional Description (continued)

In order to maintain synchronization, the descrambler continuously monitors the validity of the unscrambled data that it generates. To ensure this, a link state monitor and a hold timer are used to constantly monitor the synchronization status. Upon synchronization of the descrambler, the hold timer starts a 722  $\mu$ s countdown. Upon detection of sufficient idle symbols within the 722  $\mu$ s period, the hold timer will reset and begin a new countdown. This monitoring operation will continue indefinitely given a properly operating network connection with good signal integrity. If the link state monitor does not recognize sufficient unscrambled idle symbols within the 722  $\mu$ s period, the descrambler will be forced out of the current state of synchronization and reset in order to reacquire synchronization. Register 18h, bit 3, can be used to extend the timer to 2 ms.

### Symbol Alignment

The symbol alignment circuit in the LU3X34FTR determines code word alignment by recognizing the /J/K delimiter pair. This circuit operates on unaligned data from the descrambler. Once the /J/K symbol pair (11000 10001) is detected, subsequent data is aligned on a fixed boundary.

### Symbol Decoding

The symbol decoder functions as a look-up table that translates incoming 5B symbols into 4B nibbles. The symbol decoder first detects the /J/K symbol pair preceded by idle symbols and replaces the symbol with MAC preamble. All subsequent 5B symbols are converted to the corresponding 4B nibbles for the duration of the entire packet. This conversion ceases upon the detection of the /T/R symbol pair denoting the end-of-stream delimiter (ESD). The translated data is presented on the RXD[3:0] signal lines with RXD[0] represents the least significant bit of the translated nibble.

### Valid Data Signal

The valid data signal (RXDV) indicates that recovered and decoded nibbles are being presented on the RXD[3:0] outputs synchronous to RXCLK. RXDV is asserted when the first nibble of translated /J/K is ready for transfer over the internal MII. It remains active until either the /T/R delimiter is recognized, link test indicates failure, or no signal is detected. On any of these conditions, RXDV is deasserted.

### Receiver Errors

The RXER signal is used to communicate receiver error conditions. While the receiver is in a state of hold-

ing RXDV asserted, the RXER will be asserted for each code word that does not map to a valid code-group.

### 100Base-X Link Monitor

The 100Base-X link monitor function allows the receiver to ensure that reliable data is being received. Without reliable data reception, the link monitor will halt both transmit and receive operations until such time that a valid link is detected.

The LU3X34FTR performs the link integrity test as outlined in *IEEE* 100Base-X (Clause 24) link monitor state diagram. The link status is multiplexed with 10 Mbits/s link status to form the reportable link status bit in serial management register 1 and driven to the LNKLED pins.

When persistent signal energy is detected on the network, the logic moves into a link-ready state after approximately 500  $\mu$ s and waits for an enable from the autonegotiation module. When received, the link-up state is entered, and the transmit and receive logic blocks become active. Should autonegotiation be disabled, the link integrity logic moves immediately to the link-up state after entering the link-ready state.

### Carrier Sense

Carrier sense (CRS) for 100 Mbits/s operation is asserted upon the detection of two noncontiguous zeros occurring within any 10-bit boundary of the receive data stream.

The carrier sense function is independent of symbol alignment. In switch mode, CRS is asserted during either packet transmission or reception. For repeater mode, CRS is asserted only during packet reception. When the idle symbol pair is detected in the receive data stream, CRS is deasserted. In repeater mode, CRS is only asserted due to receive activity. CRS is intended to encapsulate RXDV.

### Bad SSD Detection

A bad start-of-stream delimiter (bad SSD) is an error condition that occurs in the 100Base-X receiver if carrier is detected (CRS asserted) and a valid /J/K set of code-groups (SSD) is not received.

If this condition is detected, then the LU3X34FTR will assert RXER and present RXD[3:0] = 1110 to the internal MII for the cycles that correspond to received 5B code-groups until at least two idle code-groups are detected. In addition, the false carrier counter (address 13h) will be incremented by one. Once at least two idle code-groups are detected, RXER and CRS become deasserted.

## Functional Description (continued)

### Far-End Fault Indication

Autonegotiation provides a mechanism for transferring information from the local station to the link partner that a remote fault has occurred for 100Base-TX. As auto-negotiation is not currently specified for operation over fiber, the far-end fault indication function (FEFI) provides this capability for 100Base-FX applications.

A remote fault is an error in the link that one station can detect while the other cannot. An example of this is a disconnected wire at a station's transmitter. This station will be receiving valid data and detect that the link is good via the link integrity monitor, but will not be able to detect that its transmission is not propagating to the other station.

A 100Base-FX station that detects such a remote fault may modify its transmitted idle stream from all ones to a group of 84 ones followed by a single 0. This is referred to as the FEFI idle pattern.

The FEFI function is controlled by bit 11 of register 18h. It is initialized to 1 (enabled) if the FOSEL pin is at logic high level during powerup or reset. If the FEFI function is enabled, the LU3X34FTR will halt all current operations and transmit the FEFI idle pattern when FOSD signal is deasserted following a good link indication from the link integrity monitor. FOSD signal is generated internally from the FORX± circuit. Transmission of the FEFI idle pattern will continue until FORX± signal is asserted. If three or more FEFI idle patterns are detected by the LU3X34FTR, then bit 4 of the basic mode status register (address 01h) is set to one until read by management. Additionally, upon detection of far-end fault, all receive and transmit MII activity is disabled/ignored.

## 100Base-TX Transceiver

LU3X34FTR implements a TP-PMD compliant transceiver for 100Base-TX operation. The differential transmit driver is shared by the 10Base-T and 100Base-TX subsystems. This arrangement results in one device that uses the same external magnetics for both the 10Base-T and the 100Base-TX transmission with simple RC component connections. The individually wave-shaped 10Base-T and 100Base-TX transmit signals are multiplexed in the transmit output driver section.

### Transmit Drivers

The LU3X34FTR 100Base-TX transmit driver implements MLT-3 translation and wave-shaping functions. The rise/fall time of the output signal is closely controlled to conform to the target range specified in the ANSI TP-PMD standard.

### Twisted-Pair Receiver

For 100Base-TX operation, the incoming signal is detected by the on-chip twisted-pair receiver that comprises the differential line receiver, an adaptive equalizer, and baseline wander compensation circuits.

The LU3X34FTR uses an adaptive equalizer which changes filter frequency response in accordance with cable length. The cable length is estimated based on the incoming signal strength. The equalizer tunes itself automatically for any cable length to compensate for the amplitude and phase distortions incurred from the cable.



## Functional Description (continued)

### 10Base-T Module

The 10Base-T transceiver module is *IEEE* 802.3 compliant. It includes the receiver, transmitter, collision, heartbeat, loopback, jabber, waveshaper, and link integrity functions, as defined in the standard. Figure 10 provides an overview for the 10Base-T module.

The LU3X34FTR 10Base-T module is comprised of the following functional blocks:

- Manchester encoder and decoder.
- Collision detector.
- Link test function.
- Transmit driver and receiver.
- Serial and parallel interface.
- Jabber and SQE test functions.
- Polarity detection and correction.

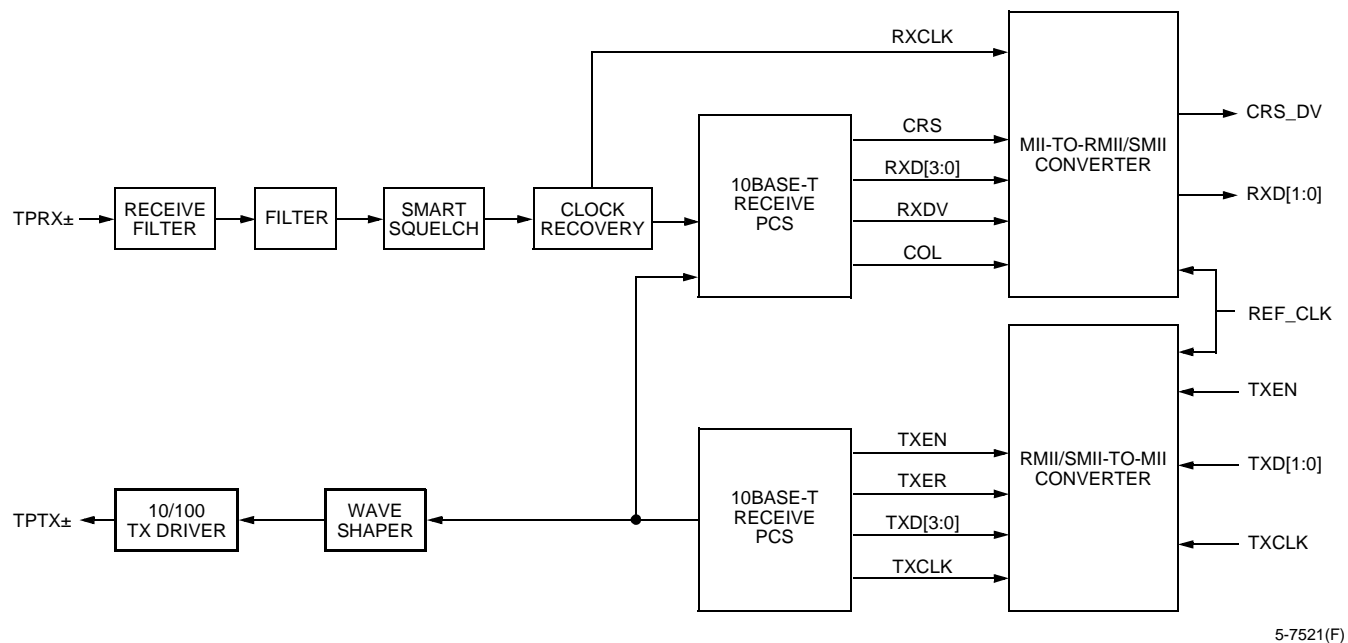


Figure 10. 10Base-T Module Data Path

5-7521(F)

## Functional Description (continued)

### Operation Modes

The LU3X34FTR 10Base-T module is capable of operating in either half-duplex mode or full-duplex mode. In half-duplex mode, the LU3X34FTR functions as an *IEEE* 802.3 compliant transceiver with fully integrated filtering. The COL signal is asserted during collisions or jabber events, and the CRS signal is asserted during transmit and receive. In full-duplex mode, the LU3X34FTR can simultaneously transmit and receive data.

**Manchester Encoder/Decoder.** Data encoding and transmission begins when the transmit enable input (TXEN) goes high and continues as long as the transceiver is in good link state. Transmission ends when the transmit enable input goes low. The last transition occurs at the center of the bit cell if the last bit is a 1, or at the boundary of the bit cell if the last bit is 0.

Decoding is accomplished by a differential input receiver circuit and a phase-locked loop that separates the Manchester-encoded data stream into clock signals and NRZ data. The decoder detects the end of a frame when no more midbit transitions are detected. Within one and a half bit times after the last bit, carrier sense is deasserted.

**Transmit Driver and Receiver.** The LU3X34FTR integrates all the required signal conditioning functions in its 10Base-T block such that external filters are not required. Only an isolation transformer and impedance-matching resistors are needed for the 10Base-T transmit and receive interface. The internal transmit filtering ensures that all the harmonics in the transmit signal are attenuated properly.

**Smart Squelch.** The smart squelch circuit is responsible for determining when valid data is present on the differential receive. The LU3X34FTR implements an intelligent receive squelch on the TPRX+/- differential inputs to ensure that impulse noise on the receive inputs will not be mistaken for a valid signal. The squelch circuitry employs a combination of amplitude and timing measurements (as specified in the *IEEE* 802.3 10Base-T standard) to determine the validity of data on the twisted-pair inputs.

The signal at the start of the packet is checked by the analog squelch circuit and any pulses not exceeding the squelch level (either positive or negative, depending upon polarity) will be rejected. Once this first squelch level is overcome correctly, the opposite squelch level must then be exceeded within 150 ns. Finally, the signal must exceed the original squelch level within an additional 150 ns to ensure that the input waveform will not be rejected.

Only after all of these conditions have been satisfied will a control signal be generated to indicate to the remainder of the circuitry that valid data is present.

Valid data is considered to be present until the squelch level has not been generated for a time longer than 200 ns, indicating end of packet. Once good data has been detected, the squelch levels are reduced to minimize the effect of noise, causing premature end-of-packet detection. The receive squelch threshold level can be lowered for use in longer cable applications. This is achieved by setting bit 11 of register address 1Ah.

**Carrier Sense.** Carrier sense (CRS) is asserted due to receive activity once valid data is detected via the smart squelch function.

For 10 Mb/s half-duplex operation, CRS is asserted during either packet transmission or reception.

For 10 Mb/s full-duplex operation, the CRS is asserted only due to receive activity.

In repeater mode, CRS is only asserted due to receive activity. CRS is deasserted following an end of packet.

**Collision Detection.** The RMII does not have a collision pin. Collision is detected internal to the MAC, which is generated by an AND function of TXEN and CRS derived from CRS\_DV. CRS\_DV cannot be directly ANDed with TXEN because CRS\_DV may toggle at the end of a frame to provide separation between CRS and RXDV. The internal MII will still generate the COL signal, but this information is not passed to the MAC via the RMII.

**Jabber Function.** The jabber function monitors the LU3X34FTR's output and disables the transmitter if it attempts to transmit a longer than legal-sized packet. If TXEN is high for greater than 24 ms, the 10Base-T transmitter will be disabled. Once disabled by the jabber function, the transmitter stays disabled for the entire time that the TXEN signal is asserted. This signal has to be deasserted for approximately 256 ms (the unjab time) before the jabber function re-enables the transmit outputs. The jabber function can be disabled by setting bit 10 of register 1Ah.

**Link Test Function.** A link pulse is used to check the integrity of the connection with the remote end. If valid link pulses are not received, the link detector disables the 10Base-T twisted-pair transmitter, receiver, and collision detection functions.

The link pulse generator produces pulses as defined in the *IEEE* 802.3 10Base-T standard. Each link pulse is nominally 100 ns in duration and is transmitted every 16 ms, in the absence of transmit data.

## Functional Description (continued)

**Automatic Link Polarity Detection.** The LU3X34FTR's 10Base-T transceiver module incorporates an automatic link polarity detection circuit. The inverted polarity is determined when seven consecutive link pulses of inverted polarity or three consecutive packets are received with inverted end-of-packet pulses. If the input polarity is reversed, the error condition will be automatically corrected and reported in bit 15 of register 1Ch.

The automatic link polarity detection function can be disabled by setting bit 3 of register 1Ah.

### Clock Synthesizer

The LU3X34FTR implements a clock synthesizer that generates all the reference clocks needed from a single external frequency source. The clock source must be a TTL level signal at 25 MHz  $\pm$  50 ppm.

### Autonegotiation

The autonegotiation function provides a mechanism for exchanging configuration information between two ends of a link segment and automatically selecting the highest-performance mode of operation supported by both devices. Fast link pulse (FLP) bursts provide the signaling used to communicate autonegotiation abilities between two devices at each end of a link segment. For further detail regarding autonegotiation, refer to Clause 28 of the *IEEE 802.3u* specification. The LU3X34FTR supports four different Ethernet protocols, so the inclusion of autonegotiation ensures that the highest-performance protocol will be selected based on the ability of the link partner.

The autonegotiation function within the LU3X34FTR can be controlled either by internal register access or by the use of configuration pins. At powerup and at device reset, the configuration pins are sampled. If disabled, autonegotiation will not occur until software enables bit 12 in register 0. If autonegotiation is enabled, the negotiation process will commence immediately.

When autonegotiation is enabled, the LU3X34FTR transmits the abilities programmed into the autonegotiation advertisement register at address 4h via FLP bursts. Any combination of 10 Mbits/s, 100 Mbits/s, half-duplex, and full-duplex modes may be selected. Autonegotiation controls the exchange of configuration information. Upon successful autonegotiation, the abilities reported by the link partner are stored in the autonegotiation link partner ability register at address 5h.

The contents of the autonegotiation link partner ability register are used to automatically configure to the highest-performance protocol between the local and far-end nodes. Software can determine which mode has been configured by autonegotiation by comparing the contents of register 04h and 05h and then selecting the technology whose bit is set in both registers of highest priority relative to the following list.

1. 100Base-TX full duplex (highest priority).
2. 100Base-TX half duplex.
3. 10Base-T full duplex.
4. 10Base-T half duplex (lowest priority).

The basic mode control register at address 00h provides control of enabling, disabling, and restarting of the autonegotiation function. When autonegotiation is disabled, the speed selection bit (bit 13) controls switching between 10 Mbits/s or 100 Mbits/s operation, while the duplex mode bit (bit 8) controls switching between full-duplex operation and half-duplex operation. The speed selection and duplex mode bits have no effect on the mode of operation when the autonegotiation enable bit (bit 12) is set.

The basic mode status register at address 01h indicates the set of available abilities for technology types (bits 15 to 11), autonegotiation ability (bit 3), and extended register capability (bit 0). These bits are hard-wired to indicate the full functionality of the LU3X34FTR. The BMSR also provides status on:

1. Whether autonegotiation is complete (bit 5).
2. Whether the link partner is advertising that a remote fault has occurred (bit 4).
3. Whether a valid link has been established (bit 2).

The autonegotiation advertisement register at address 04h indicates the autonegotiation abilities to be advertised by the LU3X34FTR. All available abilities are transmitted by default, but any ability can be suppressed by writing to this register or configuring external pins.

The autonegotiation link partner ability register at address 05h indicates the abilities of the link partner as indicated by autonegotiation communication. The contents of this register are considered valid when the autonegotiation complete bit (bit 5, register address 01h) is set.

## Functional Description (continued)

### Reset Operation

The LU3X34FTR can be reset either by hardware or software. A hardware reset is accomplished by applying a negative pulse, with a duration of at least 1 ms to the RSTZ pin of the LU3X34FTR during normal operation. A software reset is activated by setting the reset bit in the basic mode control register (bit 15, register 00h). This bit is self-clearing and, when set, will return a value of 1 until the software reset operation has completed.

Hardware reset operation samples the pins and initializes all registers to their default values. This process includes re-evaluation of all hardware-configurable registers. A hardware reset affects all four PHYs in the device.

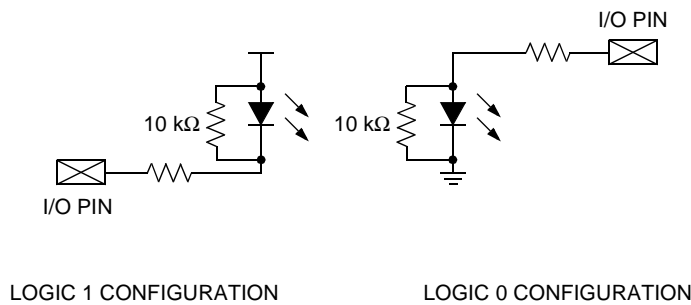
A software reset can reset an individual PHY, and it does not latch the external pins or reset the registers to their respective default values.

Logic levels on several I/O pins are detected during a hardware reset to determine the initial functionality of LU3X34FTR. Some of these pins are used as output ports after reset operation.

Care must be taken to ensure that the configuration setup will not interfere with normal operation. Dedicated configuration pins can be tied to Vcc or ground directly. Configuration pins multiplexed with logic level output functions should be either weakly pulled up or weakly pulled down through resistors. Configuration pins multiplexed with LED outputs should be set up with one of the following circuits shown in Figure 11. The 10 kΩ resistor is required only for nondefault configuration.

Pins ANEN, FD10, FD100, and HD100 have internal pull-up resistors, making their default value a 1 without any external components. Pins FOSEL, SMII\_EN, and PHYAD[2:4] have internal pull-down resistors, making their default value a 0 without any external components.

**Note:** The MDIO pin is pulled low during reset.



5-6783(F).a

Figure 11. LED Configuration

### PHY Address

The PHY device address is stored in bits [4:0] of the PHY address register (register address 19h). The upper 3 bits of this field are initialized by the three I/O pins designated as PHY[4:2] during powerup or hardware reset and can be changed afterward by writing into this register address (19h). The lower 2 bits are initialized to 00 and represent the PHY address for port 0. The PHY address for all subsequent ports are increments from this base address (i.e., PHY address for port 0 = 10h, PHY address for port 1 = 11h, PHY address for port 2 = 12h, PHY address for port 3 = 13h). These unique 5-bit addresses are used during serial management interface communication.

## Functional Description (continued)

### Autonegotiation and Speed Configuration

The four sets of five pins listed in Table 13 configure the speed capability of each channel of LU3X34FTR. The logic state of these pins, at powerup or reset, is latched into the advertisement register (register address 04h) for autonegotiation purposes. These pins are also used for evaluating the default value in the base mode control register (register 00h) according to Table 12.

**Table 12. Autonegotiation**

Configuration Pins at Reset					Registers Initial Value		
ANEN	FD100 (bit 4.8)	HD100 (bit 4.7)	FD10 (bit 4.6)	HD10 (bit 4.5)	AUTONEG reg 0.12	SPEED reg 0.13	DUPLEX reg 0.8
0	1	X	X	X	0	1	1
0	0	1	1	X	0	1	1
0	0	1	0	X	0	1	0
0	0	0	1	X	0	0	1
0	0	0	0	1	0	0	0
1	X	X	X	X	1	0	0

### LED Configuration

The LU3X34FTR provides four LED output pins for each of its four ports. In addition to the default functions associated with their pin names, there are several registers that allow users to customize LED operations.

Register 11h (programmable LED register) at PHY address 2 implements even more flexible LED configurations. Register 11h at PHY address 4 controls all even-numbered ports, and register 11h at address 5 controls all odd-numbered ports. Via the programmable LED register, each of the LEDs may be configured to operate in one of the following modes: link, speed, duplex, receive, transmit, solid when link is up and blinks during activity, remote fault, and collision. Bits [0:3] in these registers allow the user to invert the on/off logic for each of these four programmable LEDs individually.

Note that all LED circuits are switched under the control of the programmable LED register whenever the content of register 11h differs from its default value.

Register 17h implements more LED configuration functions. With these registers, unused LED can be individually turned off to reduce power consumption.

### Fiber Mode Select

A logic one level on pins FOSEL[0:3] sets each channel in fiber mode individually. These pins are latched during reset operation.

### MII Registers

The LU3X34FTR has four independent PHYs in it. Each PHY has its own identical set of registers as tabulated below. The PHY address differentiates which PHY to be read or written into. The following tables of registers are applicable to each register.

## MII Registers

Table 13. MII Management Registers

Address	Register Name	Basic/Extended
0h	Control Register	B
1h	Status Register	B
2h—3h	PHY Identifier Register	E
4h	Autonegotiation Advertisement Register	E
5h	Autonegotiation Link Partner Ability Register	E
6h	Autonegotiation Expansion Register	E
7h—Fh	<i>IEEE</i> Reserved	E
12h	Isolate Counter	E
13h	False Carrier Counter	E
15h	Receive Error Counter	E
17h	PHY Control/Status Register	E
18h	Config 100 Register	E
19h	PHY Address Register	E
1Ah	Config 10 Register	E
1Bh	Status 100 Register	E
1Ch	Status 10 Register	E
1Dh	Interrupt Mask Register	E
1Eh	Interrupt Status Register	E

Legend:

- RO Read only.
- R/W Read and write capable.
- SC Self-clearing.
- LL Latching low, unlatch on read.
- LH Latching high, unlatch on read.
- COR Clear on read.

Table 14. Control Register (Register 0h)

Bit(s)	Name	Description	R/W	Default
15	Reset	1—PHY reset 0—Normal operation Setting this bit initiates the software reset function that resets the selected port, except for the phase-locked loop circuit. It will not relatch in all hardware configuration pin values, but it will set all registers to their default values. The software reset process takes 25 $\mu$ s to complete. This bit, which is self-clearing, returns a value of 1 until the reset process is complete.	R/W SC	0h

MII Registers (continued)

Table 14. Control Register (Register 0h) (continued)

Bit(s)	Name	Description	R/W	Default
14	Loopback	1—Enable loopback mode 0—Disable loopback mode This bit controls the PHY loopback operation that isolates the network transmitter outputs (TPTX+/- and FOTX+/-) and routes the MII transmit data to the MII receive data path. This function should only be used when autonegotiation is disabled (bit 12 = 0). The specific PHY (10Base-T or 100Base-X) used for this operation is determined by bits 12 and 13 of this register.	R/W	0h
13	Speed Selection	1—100 Mbits/s 0—10 Mbits/s Link speed is selected by this bit or by autonegotiation if bit 12 of this register is set (in which case, the value of this bit is ignored). At powerup or reset, this bit will be set unless ANEN, FD100, and HD100 pins are all in logic low state.	R/W	Pin
12	Autonegotiation Enable	1—Enable autonegotiation process 0—Disable autonegotiation process This bit determines whether the link speed should be set up by the autonegotiation process. It is set at powerup or reset if the ANEN pin detects a logic 1 input level.	R/W	Pin
11	Powerdown	1—Powerdown 0—Normal operation Setting this bit puts the LU3X34FTR into powerdown mode. During the powerdown mode, TPTX+/- and all LED outputs are 3-stated, FOTX+/- outputs are turned off, and the MII interface is isolated. RESETZ is used to clear register. <b>Note:</b> Powerdown is an optional function and is not implemented in this device. Setting this bit does not significantly impact the power consumption.	R/W	0h
10	Isolate	1—Isolate PHY from MII 0—Normal operation Setting this control bit isolates the part from the MII, with the exception of the serial management interface. When this bit is asserted, the LU3X34FTR does not respond to TXD[3:0], TXEN, and TXER inputs, and it presents a high impedance on its TXCLK, RXCLK, RXDV, RXER, RXD[3:0], COL, and CRS outputs.	R/W	Pin

MII Registers (continued)

Table 14. Control Register (Register 0h) (continued)

Bit(s)	Name	Description	R/W	Default
9	Restart Autonegotiation	1—Restart autonegotiation process 0—Normal operation Setting this bit while autonegotiation is enabled forces a new autonegotiation process to start. This bit is self-clearing and returns to 0 after the autonegotiation process has commenced.	R/W, SC	0h
8	Duplex Mode	1—Full-duplex mode 0—Half-duplex mode If autonegotiation is disabled, this bit determines the duplex mode for the link. At powerup or reset, this bit is set to 0 if the SW_RPTRZ input is low. This bit is set to 1, if ANEN pin detects a logic 0 and either FD100 or FD10 pin detects a logic 1.	R/W	Pin
7	Collision Test (only applicable while in PHY loopback mode)	1—Enable COL signal test 0—Disable COL signal test When set, this bit will cause the COL signal of MII interface to be asserted in response to the assertion of TXEN.	R/W	0h
6:0	Reserved	Not used.	RO	0h

Note: While maintaining a good link, modifying any bit in the control register (register 0) will cause the link to drop.

Table 15. Status Register Bit Definitions (Register 1h)

Bit(s)	Name	Description	R/W	Default
15	100Base-T4	1—Capable of 100Base-T4 0—Not capable of 100Base-T4 This bit is hardwired to 0, indicating that the LU3X34FTR does not support 100Base-T4.	RO	0h
14	100Base-X Full Duplex	1—Capable of 100Base-X full-duplex mode 0—Not capable of 100Base-X full-duplex mode This bit is hardwired to 1, indicating that the LU3X34FTR supports 100Base-X full-duplex mode.	RO	1h
13	100Base-X Half Duplex	1—Capable of 100Base-X half-duplex mode 0—Not capable of 100Base-X half-duplex mode This bit is hardwired to 1, indicating that the LU3X34FTR supports 100Base-X half-duplex mode.	RO	1h



**MII Registers** (continued)

**Table 15. Status Register Bit Definitions (Register 1h)** (continued)

Bit(s)	Name	Description	R/W	Default
12	10 Mbits/s Full Duplex	1—Capable of 10 Mbits/s full-duplex mode 0—Not capable of 10 Mbits/s full-duplex mode This bit is hardwired to 1, indicating that the LU3X34FTR supports 10Base-T full-duplex mode.	RO	1h
11	10 Mbits/s Half Duplex	1—Capable of 10 Mbits/s half-duplex mode 0—Not capable of 10 Mbits/s half-duplex mode This bit is hardwired to 1, indicating that the LU3X34FTR supports 10Base-T half-duplex mode.	RO	1h
10	100Base-T2	1—Capable of 100Base-T2 0—Not capable of 100Base-T2 This bit is hardwired to 0, indicating that the LU3X34FTR does not support 100Base-T2.	RO	0h
9:7	Reserved	Ignore when read.	RO	0h
6	MF Preamble Suppression	1—Accepts management frames with preamble suppressed 0—Will not accept management frames with preamble suppressed This bit is hardwired to 1, indicating that the LU3X34FTR accepts management frame without preamble. A minimum of 32 preamble bits are required following power-on or hardware reset. One idle bit is required between any two management transactions as per <i>IEEE 802.3u</i> specification.	RO	1h
5	Autonegotiation Complete	1—Autonegotiation process completed 0—Autonegotiation process not completed If autonegotiation is enabled, this bit indicates whether the autonegotiation process has been completed.	RO	0h
4	Remote Fault	1—Remote fault detected 0—Remote fault not detected This bit is latched to 1 if the RF bit in the autonegotiation link partner ability register (bit 13, register address 05h) is set or the receive channel meets the far-end fault indication function criteria. It is unlatched when this register is read.	RO, LH	0h

**MII Registers** (continued)

**Table 15. Status Register Bit Definitions (Register 1h)** (continued)

Bit(s)	Name	Description	R/W	Default
3	Autonegotiation Ability	1—Capable of autonegotiation 0—Not capable of autonegotiation This bit defaults to 1, indicating that LU3X34FTR is capable of autonegotiation.	RO	1h
2	Link Status	1—Link is up 0—Link is down This bit reflects the current state of the link-test-fail state machine. Loss of a valid link causes a 0 latched into this bit. It remains 0 until this register is read by the serial management interface.	RO, LL	0h
1	Jabber Detect	1—Jabber condition detected 0—Jabber condition not detected During 10Base-T operation, this bit indicates the occurrence of a jabber condition. It is implemented with a latching function so that it becomes set until it is cleared by a read.	RO, LH	0h
0	Extended Capability	1—Extended register set 0—No extended register set This bit defaults to 1, indicating that the LU3X34FTR implements extended registers.	RO	1h

**Table 16. PHY Identifier (Register 2h)**

Bit(s)	Name	Description	R/W	Default
15:0	PHY-ID[15:0]	IEEE address	RO	0043h

**Table 17. PHY Identifier (Register 3h)**

Bit(s)	Name	Description	R/W	Default
15:0	PHY-ID[15:0]	IEEE address/Model No./ Rev. No.	RO	7440h

MII Registers (continued)

Table 18. Advertisement (Register 4h)

Bit(s)	Name	Description	R/W	Default
15	Next Page	1—Capable of next page function 0—Not capable of next page function This bit defaults to 0, indicating that LU3X34FTR is not next page capable.	RO	0h
14	Reserved	Reserved.	RO	0h
13	Remote Fault	1—Remote fault has been detected 0—No remote fault has been detected This bit is written by serial management interface for the purpose of communicating the remote fault condition to the auto-negotiation link partner.	R/W	0h
12:11	<i>IEEE</i> Reserved	These bits default to 0.	R/W	0h
10	Flow Control	1—MAC sublayer is capable of pause-based flow control 0—MAC sublayer not capable of pause-based flow control This bit advertises the MAC sublayer has pause/flow control capability of operation when set in full-duplex mode. This must be set only when the PHY is advertising 10FD/100FD modes. At hardware reset, this bit is set to 1, if the PAUSE pin detects logic 1. <b>Note:</b> It is the user's responsibility to ensure that the flow control bit is set only when the PHY is advertising 10FD/100FD modes.	R/W	Pin
9	Technology Ability Field for 100Base-T4	This bit defaults to 0, indicating that the LU3X34FTR does not support 100Base-T4.	RO	0h
8:5	Technology Ability Field	This 4-bit field contains the advertised ability of this PHY. At powerup or reset, the logic level of 100FDEN, 100HDEN, 10FDEN, and 10HDEN pins are latched into bits 8 through 5, respectively.	R/W	Pin
4:0	Selector Field	These 5 bits are hardwired to 00001h, indicating that the LU3X34FTR supports <i>IEEE</i> 802.3 CSMA/CD.	RO	01h

**MII Registers** (continued)

**Table 19. Autonegotiation Link Partner Ability (Register 5h)**

Bit(s)	Name	Description	R/W	Default
15	Next Page	1—Capable of next page function 0—Not capable of next page function	RO	0h
14	Acknowledge	1—Link partner acknowledges reception of the ability data word 0—Not acknowledged	RO	0h
13	Remote Fault	1—Remote fault has been detected 0—No remote fault has been detected	RO	0h
12:5	Technology Ability Field	Supported technologies.	RO	0h
4:0	Selector Field	Encoding definitions.	RO	0h

**Table 20. Autonegotiation Expansion Register (Register 6h)**

Bit(s)	Name	Description	R/W	Default
15:5	Reserved	Reserved.	RO	0h
4	Parallel Detection Fault	1—Fault has been detected 0—No fault detected This bit is set if the parallel detection fault state of the autonegotiation arbitration state machine is polled during the auto-negotiation process. It will remain set until this register is read.	RO, LH	0h
3	Link Partner Next Page Capable	1—Link partner is next page capable 0—Link partner is not next page capable This bit indicates whether the link partner is next page capable. It is meaningful only when the autonegotiation complete bit (bit 5, register 1) is set.	RO	0h
2	Next Page Able	1—Local device is next page capable 0—Local device is not next page capable This bit defaults to 0, indicating that LU3X34FTR is not next page capable.	RO	0h
1	Page Received	1—A new page has been received 0—No new page has been received This bit is latched to 1 when a new link code word page has been received. This bit is automatically cleared when the autonegotiation link partner ability register (register 05h) is read by management interface.	RO, LH	0h
0	Link Partner Autonegotiable	1—Link partner is autonegotiable 0—Link partner is not autonegotiable	RO	0h

**MII Registers** (continued)

**Table 21. Programable LED (Register 11h)**

Bit(s)	Name	Description	R/W	Default
15:13	Activity LED Function	Programable LED output with the following settings: 011: link 010: speed 001: duplex 000: receive 111: activity/transmit 110: solid when link is up, blinks during activity 101: remote fault 100: collision	R/W	100
12:10	Full-Duplex LED Function	Programable LED output with the following settings: 000: link 001: speed 010: duplex 011: receive 100: activity/transmit 101: solid when link is up, blinks during activity 110: remote fault 111: collision	R/W	010
9:7	Speed 100 LED Function	Programable LED output with the following settings: 101: link 100: speed 111: duplex 110: receive 001: activity/transmit 000: solid when link is up, blinks during activity 011: remote fault 010: collision	R/W	001
6:4	Link LED Function	Programable LED output with the following settings: 000: link 001: speed 010: duplex 011: receive 100: activity/transmit 101: solid when link is up, blinks during activity 110: remote fault 111: collision	R/W	000
3:0	LED Inversion Mode	Inversion option for the LEDs for each port [0:3]. For example, if set to 1, LED is on when activity is not present, and off during activity.	R/W	0000

Notes: The following bit sequence will restore the old LED functionality: 1110100001010000.

PHY address 2 will set the LED functionality for all ports. However, the individual port's LED functionality can be set on a PHY address by PHY address basis. (i.e., PHY 0's LEDs can be set to be different from PHY 1, PHY 2, and PHY 3.

MII Registers (continued)

Table 22. False Carrier Counter (Register 13h)

Bit(s)	Name	Description	R/W	Default
15:0	False Carrier Count	Number of false carrier conditions since reset or read. The counter is incremented once for each packet that has false carrier condition detected. This counter may roll over depending on value of CSMODE bit (bit 13 of register 17h).	RO, COR	0h

Table 23. Receive Error Counter (Register 15h)

Bit(s)	Name	Description	R/W	Default
15:0	RX Error Count	Number of receive errors since last reset. The counter is incremented once for each packet that has receive error condition detected. This counter may roll over depending on value of the CSMODE bit (bit 13 of register 17h).	RO, COR	0h

Table 24. PHY Control/Status Register (Register 17h)

Bit(s)	Name	Description	R/W	Default
15	Reserved	Reserved.	RO	0h
14	FOSEL	1—Fiber mode 0—TX mode For 100Base-X operation, this bit determines whether LU3X34FTR interfaces with the network through the internal 100Base-TX transceiver or using external fiber-optic transceiver. It is initialized to the logic level of FOSEL pin (pin 124, 117, 46, and 52 for four PHYs) at powerup or reset.	RO	Pin
13	CSMODE	1—Counter sticks at FFFFh 0—Counters roll over This bit controls the operation of isolate counter, false carrier counter, and receive error counters.	R/W	0h
12	TPTXTR	1—3-state transmit pairs 0—Normal operation When this bit is set, the twisted-pair transmitter outputs if all four ports are 3-stated. Note that the twisted-pair transmit driver can be 3-stated by either this bit or the TPTXTR pin (pin 41).	R/W	Pin
11	ThunderLAN Interrupt Enable	1—MDIO ThunderLAN interrupt enabled 0—MDIO ThunderLAN interrupt disabled This bit enables/disables the TI ThunderLAN interrupt mechanism.	R/W	0h

**MII Registers** (continued)

**Table 24. PHY Control/Status Register (Register 17h)** (continued)

Bit(s)	Name	Description	R/W	Default
10	MF Preamble Suppression Enable	1—MDIO preamble suppression enabled 0—MDIO preamble suppression disabled LU3X34FTR can accept management frames without preamble as described in bit 6 of register 1h. This bit allows the user to enable or disable the preamble suppression function.	R/W	1h
9	Speed Status	1—Part is in 100 Mbit mode 0—Part is in 10 Mbit mode This value is not defined during the auto-negotiation period.	RO	0h
8	Duplex Status	1—Part is in full-duplex mode 0—Part is in half-duplex mode This value is not defined during the auto-negotiation period.	RO	0h
7	Reserved	Reserved.	R/W	1h
6	Reserved	Reserved.	R/W	1h
5	ACTLED Off	1—3-state ACTLED output 0—Normal operation	R/W	0
4	LEDLNK Off	1—3-state LEDLNK output 0—Normal operation	R/W	0
3	Reserved	Reserved.	R/W	1h
2	LEDFD Off	1—3-state LEDFD output 0—Normal operation	R/W	0
1	LEDSP Off	1—3-state LEDSP output 0—Normal operation	R/W	0
0	LED Pulse Stretching Disable	1—LED pulse stretching disabled 0—LED pulse stretching enabled When set to 1 all LED outputs are stretched 48 ms—72 ms.	R/W	0

**Table 25. Config 100 Register (Register 18h)**

Bit(s)	Name	Description	R/W	Default
15	BPSCR	1—Disable scrambler/descrambler 0—Enable scrambler/descrambler	R/W	FOSEL
14	Reserved	Reserved.	RO	0h
13	Reserved	Reserved.	RO	0h
12	Reserved	Reserved.	RO	0h

**MII Registers** (continued)

**Table 25. Config 100 Register (Register 18h)** (continued)

Bit(s)	Name	Description	R/W	Default
11	Enable FEFI	1—Enable FEFI 0—Disable FEFI This bit enables/disables far-end fault indicator function for 100Base-FX and 10Base-T operation. It is initialized to the logic level of FOSEL pin (pin 124, 117, 52, and 46) at powerup or reset. After reset, this bit is writable if and only if the FOSEL register (bit 14 of register 17h) is set.	R/W	Pin
10	Reserved	Reserved.	RO	0h
9	Force Good Link 100	1—Force good link in 100 Mbit mode 0—Normal operation	R/W	0h
8:6	Reserved	Reserved.	RO	1h
5	Accept Halt	1—Passes halt symbols to the MII 0—Normal operation	R/W	0h
4	Load Seed	1—Loads the scrambler seed 0—Normal operation Setting this bit loads the user seed stored in register 19h into the 100Base-X scrambler. The content of this bit returns to 0 after the loading process is completed and no transmit is active.	R/W, SC	0h
3	Burst Mode	1—Burst mode 0—Normal operation Setting this bit expands the 722 $\mu$ s scrambler time-out period to 2,000 $\mu$ s.	R/W	0h
2:0	Reserved	Reserved.	RO	0h

**Table 26. PHY Address Register (Register 19h)**

Bit(s)	Name	Description	R/W	Default
15:11	Reserved	Reserved.	RO	0h
10:5	User Seed	User-modifiable seed data. When the load seed bit (bit 4 of register 18h) is set, bits 10 through 0 of this register are loaded into the 100Base-X scrambler.	R/W	21h
4:0	PHY Address	These 5 bits store the part address used by the serial management interface. Top three of these bits are latched from the pins during powerup or hard reset. Lower 2 bits are assigned automatically.	R/W	Pin



**MII Registers** (continued)

**Table 27. Config 10 Register (Register 1Ah)**

Bit(s)	Name	Description	R/W	Default
15	SMII Mode	1—SMII mode 0—SMII mode This bit is initialized to the logic level of pin 101 at powerup or reset.	RO	Pin
14	Force 10 Mbit Good Link	1—Force 10 Mbit good link 0—Normal operation	R/W	0h
13	Reserved	Reserved.	RO	0h
12	SQE_EN	1—Signal quality error test enabled 0—Default SQE is disabled	R/W	0h
11	Low Squelch Select	1—Low squelch level selected 0—Normal squelch level selected	R/W	0h
10	Jabber Disable	1—Jabber function disabled 0—Normal operation	R/W	0h
9	100Meg_Detect	1—Restart autonegotiation when LU3X34FTR is in 10 Mbit mode and detects 100 Mbit data 0—Normal operation	R/W	0h
8	Reserved	Reserved.	RO	0h
7	Digital Filter Disable	1—Disable digital filter 0—Normal operation	R/W	0h
6:4	Reserved	Reserved.	RO	0h
3	Autopolarity Disable	1—Disable autopolarity function 0—Enable autopolarity function	R/W	0h
2:0	Reserved	Reserved.	RO	0h

**Table 28. Status 100 Register (Register 1Bh)**

Bit(s)	Name	Description	R/W	Default
15:14	Reserved	Reserved.	RO	0h
13	PLL Lock Status	1—100 Mbit PLL locked 0—100 Mbit PLL not locked	RO	0h
12	False Carrier Status	1—False carrier detected 0—Normal operation	RO, LH	0h
11:0	Reserved	Reserved.	RO	0h

**Table 29. Status 10 Register (Register 1Ch)**

Bit(s)	Name	Description	R/W	Default
15	Polarity	1—Polarity of cable is swapped 0—Polarity of cables is correct	RO	0h
14:0	Reserved	Reserved.	RO	0h

MII Registers (continued)

Table 30. Interrupt Mask Register (Register 1Dh)

Bit(s)	Name	Description	R/W	Default
15	False Carrier Status	0—Enable interrupt 1—Disable interrupt	R/W	0h
14	Receiver Error Counter Full	0—Enable interrupt 1—Disable interrupt	R/W	0h
13	Reserved	Reserved.	R/W	0h
12	Remote Fault	0—Enable interrupt 1—Disable interrupt	R/W	0h
11	Autonegotiation Complete	0—Enable interrupt 1—Disable interrupt	R/W	0h
10	Link Up	0—Enable interrupt 1—Disable interrupt	R/W	0h
9	Link Down	0—Enable interrupt 1—Disable interrupt	R/W	0h
8	Data Recovery 100 Lock Up	0—Enable interrupt 1—Disable interrupt	R/W	0h
7	Data Recovery Lock Down	0—Enable interrupt 1—Disable interrupt	R/W	0h
6:0	Reserved	Reserved.	RO	0h

Table 31. Interrupt Status Register (Register 1Eh)

Bit(s)	Name	Description	R/W	Default
15	False Carrier Counter Full	1—False carrier counter has rolled over 0—False carrier counter has not rolled over	RO, LH	0h
14	Receiver Error Counter Full	1—Receive error counter has rolled over 0—Receive error counter has not rolled over	RO, LH	0h
13	Reserved	Reserved.	RO, LH	0h
12	Remote Fault	1—Remote fault observed by PHY 0—Remote fault not observed by PHY	RO, LH	0h
11	Autonegotiation Complete	1—Autonegotiation has completed 0—Autonegotiation has not completed	RO, LH	0h
10	Link Up	1—Link is up 0—No change on link status	RO, LH	0h
9	Link Down	1—Link has gone down 0—No change on link status	RO, LH	0h
8	Data Recovery 100 Lock Up	1—Data recovery has locked 0—Data recovery is not locked	RO, LH	0h
7	Data Recovery 100 Lock Down	1—Data recovery is not locked 0—Data recovery has locked	RO, LH	0h
6:0	Reserved	Reserved	RO	0h

## dc and ac Specifications

### Absolute Maximum Ratings

Stresses in excess of the absolute maximum ratings can cause permanent damage to the device. These are absolute stress ratings only. Functional operation of the device is not implied at these or any other conditions in excess of those given in the operational sections of the data sheet. Exposure to absolute maximum ratings for extended periods can adversely affect device reliability.

**Table 32. Absolute Maximum Ratings**

Parameter	Symbol	Min	Max	Unit
Ambient Operating Temperature	$T_A$	0	70	°C
Storage Temperature	$T_{stg}$	-65	150	°C
Voltage on Any Pin with Respect to Ground	—	-0.5	5	V
Maximum Supply Voltage	—	—	5	V

**Table 33. Operating Conditions**

Parameter	Symbol	Min	Typ*	Max	Unit
Operating Supply Voltage	—	3.135	3.3	3.46	V
Power Dissipation:					
100 Mbits/s TX with LEDs	$P_D$	—	—	480	mA
100 Mbits/s FX with LEDs	$P_D$	—	—	450	mA
10 Mbits/s with LEDs	$P_D$	—	—	480	mA
Autonegotiating with LEDs	$P_D$	—	—	200	mA

\* Typical power dissipations are specified at 3.3 V and 25 °C. This is the power dissipated by the LU3X34FTR.

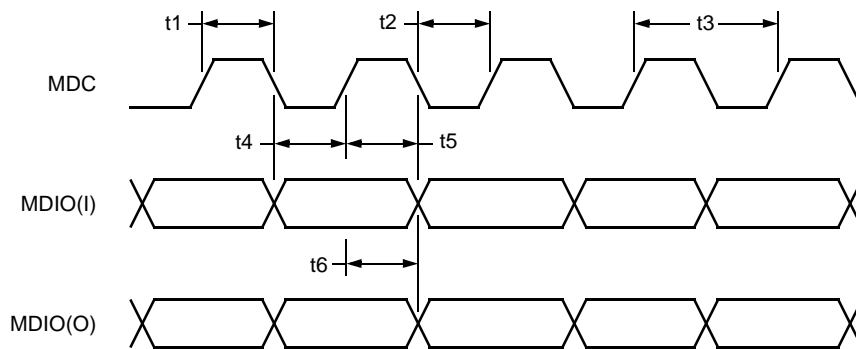
**Table 34. dc Characteristics**

Parameter	Symbol	Conditions	Min	Max	Unit
TTL Input High Voltage	$V_{IH}$	$V_{DD} = 3.3\text{ V}, V_{SS} = 0.0\text{ V}$	2.0	—	V
TTL Input Low Voltage	$V_{IL}$	$V_{DD} = 3.3\text{ V}, V_{SS} = 0.0\text{ V}$	—	0.8	V
TTL Output High Voltage	$V_{OH}$	$V_{DD} = 3.3\text{ V}, V_{SS} = 0.0\text{ V}$	2.4	—	V
TTL Output Low Voltage	$V_{OL}$	$V_{DD} = 3.3\text{ V}, V_{SS} = 0.0\text{ V}$	—	0.4	V
LED Output Current	$I_{LED}$	—	—	10	mA
MII Output Current	$I_{MII}$	—	—	4	mA
PECL Input High Voltage	$V_{IH}$	—	$V_{DD} - 1.16$	$V_{DD} - 0.88$	V
PECL Input Low Voltage	$V_{IL}$	—	$V_{DD} - 1.81$	$V_{DD} - 1.47$	V
PECL Output High Voltage	$V_{OH}$	—	$V_{DD} - 1.02$	—	V
PECL Output Low Voltage	$V_{OL}$	—	—	$V_{DD} - 1.62$	V
Oscillator Input (25 MHz)	$X_{IN}$	—	-50	50	ppm
Crystal Freq. Stability (25 MHz)	$X_{IN}/X_{OUT}$	—	-50	50	ppm
Input Capacitance	MII $C_{IN}$	—	—	8	pF

## Clock Timing

Table 35. Management Clock

Symbol	Parameter	Min	Max	Unit
t1	MDC High Pulse Width	200	—	ns
t2	MDC Low Pulse Width	200	—	ns
t3	MDC Period	400	—	ns
t4	MDIO(I) Setup to MDC Rising Edge	10	—	ns
t5	MDIO(O) Hold Time from MDC Rising Edge	10	—	ns
t6	MDIO(O) Valid from MDC Rising Edge	0	300	ns



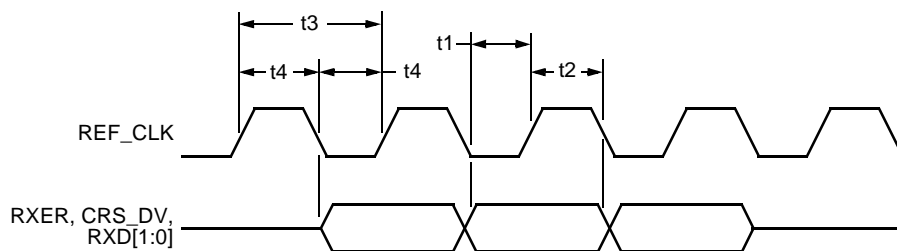
5-6786(F).a

Figure 12. Management Clock

**Clock Timing** (continued)

**Table 36. RMII Receive Timing**

Symbol	Parameter	Min	Typ	Max	Unit
t1	RXER, CRS_DV, RXD[3:0] Setup to RXCLK Rise	4	—	—	ns
t2	RXER, CRS_DV, RXD[3:0] Hold After RXCLK Rise	2	—	—	ns
t3	REF_CLK Period ( $\pm 50$ ppm)	20	—	20	ns
t4	REF_CLK Duty Cycle	35	—	65	%

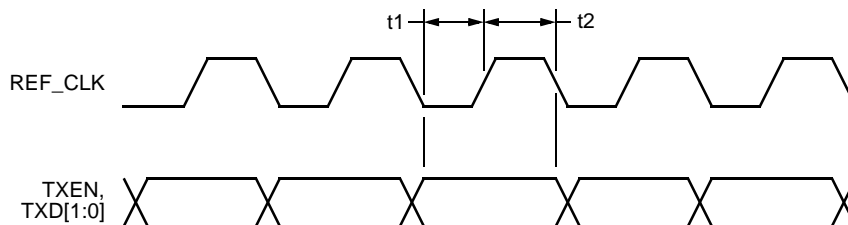


5-6787(F).a.r1

**Figure 13. RMII Receive Timing**

**Table 37. RMII Transmit Timing**

Symbol	Parameter	Min	Max	Unit
t1	TXEN, TXD[1:0] Setup to REF_CLK Rise	4	—	ns
t2	TXER, TXEN, TXD[3:0] Hold After TXCLK Rise	2	—	ns



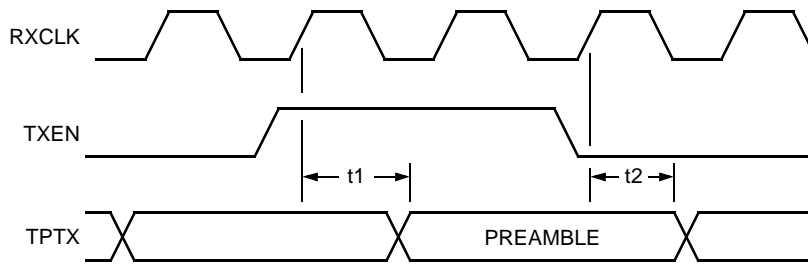
5-6788(F).a

**Figure 14. RMII Transmit Timing**

**Clock Timing** (continued)

**Table 38. Transmit Timing**

Symbol	Parameter	Min	Max	Unit
t1	Transmit Latency (100 Mbit)	6	14	Mbits/s
	Transmit Latency (10 Mbit)	4	—	Mbits/s
t2	Sampled TXEN Inactive to End of Frame (100 Mbit)	—	17	Mbits/s
	Sampled TXEN Inactive to End of Frame (10 Mbit)	—	5	Mbits/s

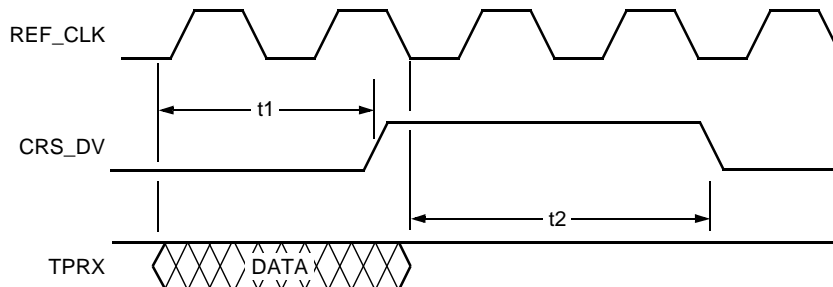


5-6789(F).a.r1

**Figure 15. Transmit Timing**

**Table 39. Receive Timing**

Symbol	Parameter	Min	Max	Unit
t1	Receive Frame to CRS_DV High (100 Mbit)	—	20	Mbits/s
	Receive Frame to CRS_DV High (10 Mbit)	—	22	Mbits/s
t2	End of Receive Frame to CRS_DV Low (100 Mbit)	13	24	Mbits/s
	End of Receive Frame to CRS_DV Low (10 Mbit)	—	4.5	Mbits/s



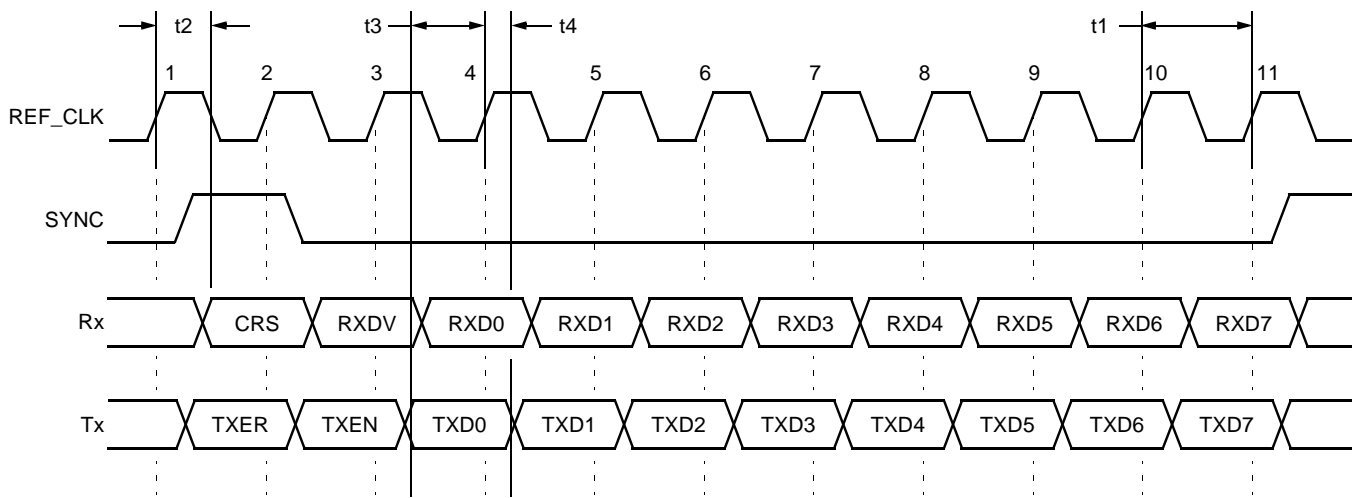
5-6790(F).a

**Figure 16. Receive Timing**

**Clock Timing** (continued)

**Table 40. SMII Timing**

Symbol	Parameter	Min	Max	Unit
t1	REF_CLK Period ( $\pm 50$ ppm)	8	8	ns
t2	Output Delay	2	5	ns
t3	Input Delay	1.5	—	ns
t4	Input Hold	1	—	ns



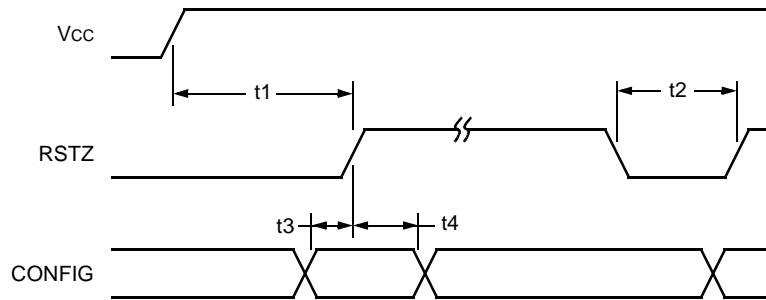
5-7508(F).ar1

**Figure 17. SMII Timing**

**Clock Timing** (continued)

**Table 41. Reset and Configuration Timing**

Symbol	Parameter	Min	Max	Unit
t1	Power On to Reset High	0.5	—	ms
t2	Reset Pulse Width	0.5	—	ms
t3	Configuration Pin Setup	0.5	—	ms
t4	Configuration Pin Hold	0.5	—	ms

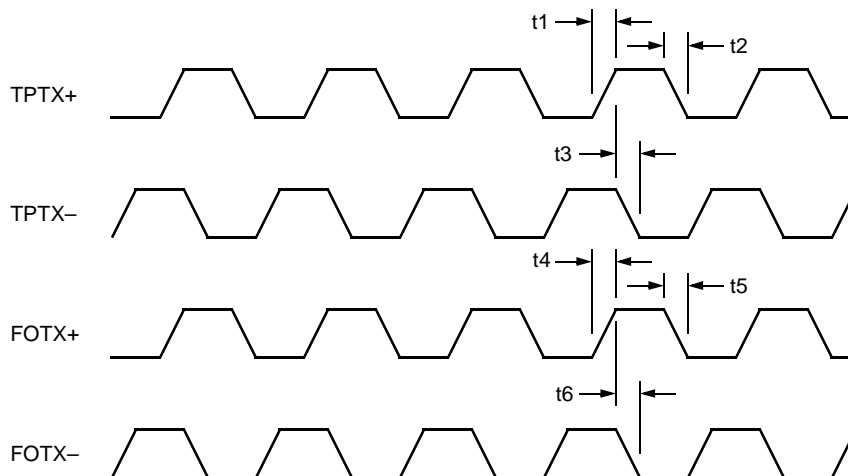


5-6791(F).a

**Figure 18. Reset and Configuration Timing**

**Table 42. PMD Characteristics**

Symbol	Parameter	Min	Max	Unit
t1	TPTX+/TPTX- Rise Time	3	5	ns
t2	TPTX+/TPTX- Fall Time	3	5	ns
t3	TP Skew	—	0.5	ns
t4	FOTX+/FOTX- Rise Time	—	—	ns
t5	FOTX+/FOTX- Fall Time	—	—	ns
t6	FO Skew	—	—	ns

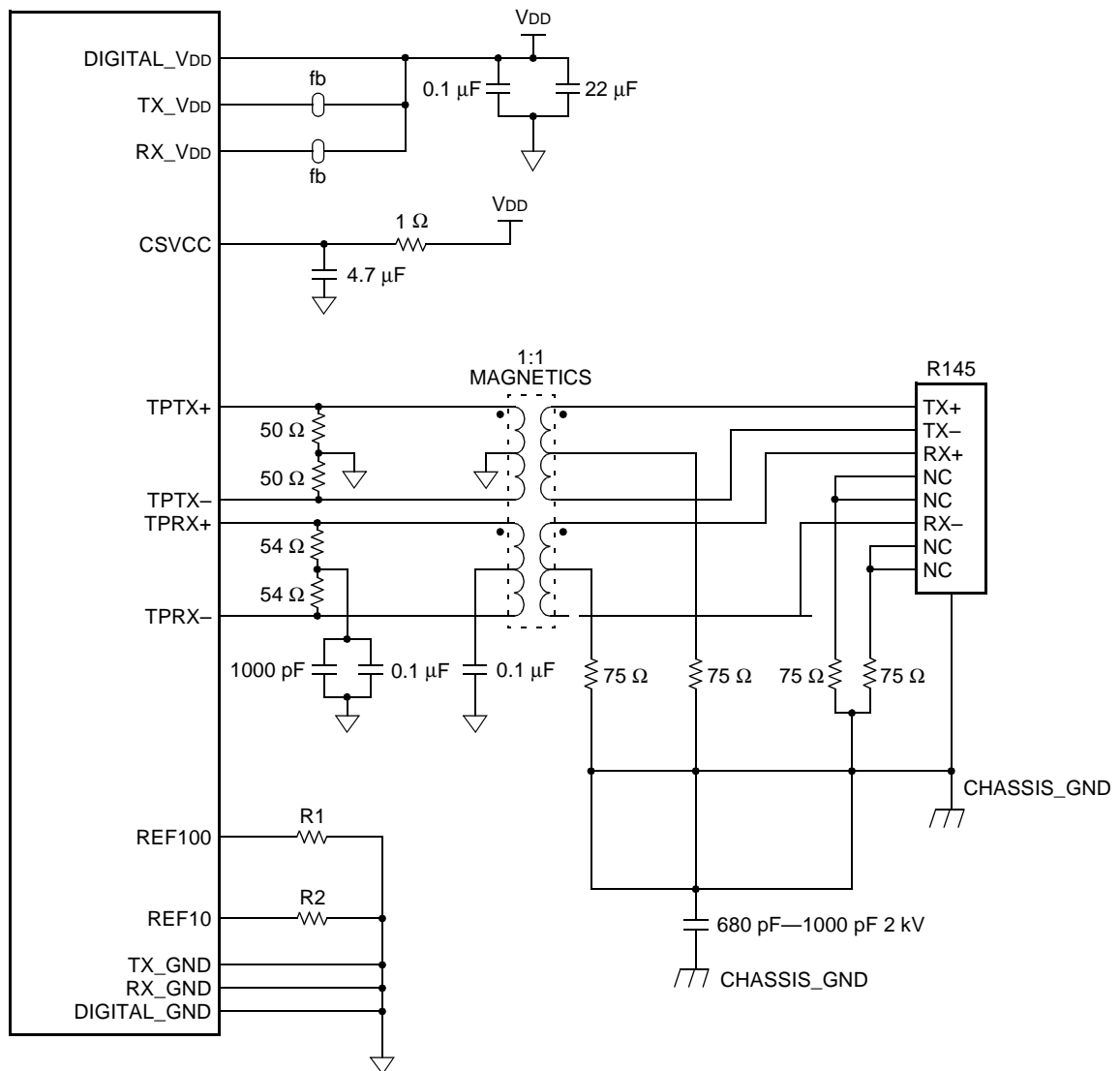


5-6792(F)

**Figure 19. PMD Characteristics**



**Clock Timing** (continued)



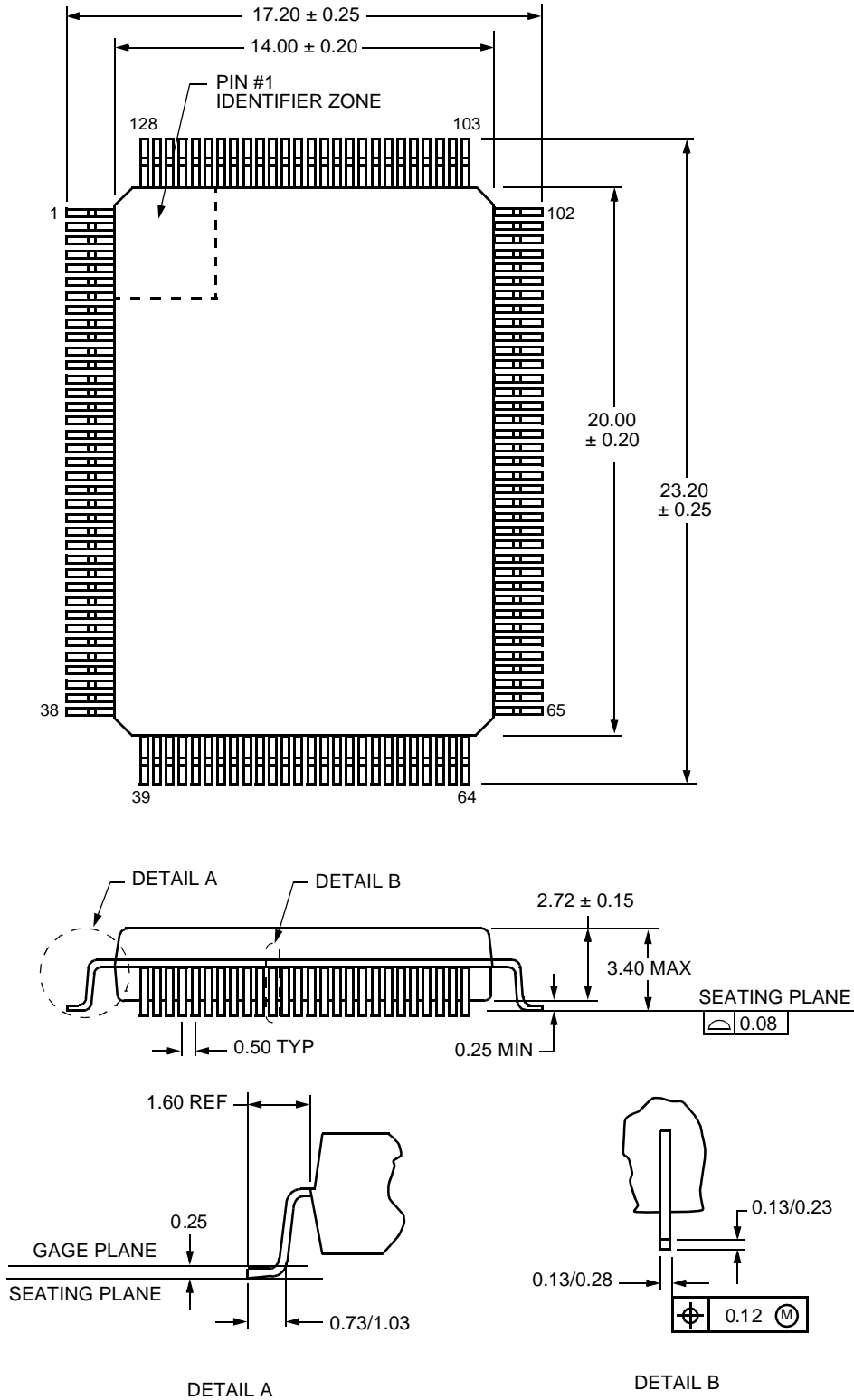
5-7510(F).r4

**Figure 20. Connection Diagrams (Single-Channel 10/100BTX Operation)**

## Outline Diagram

### 128-Pin SQFP

Dimensions are in millimeters.



### Ordering Information

Device Code	Package	Temperature	ComCode
LU3X34FTR-HS128-DB	128-Pin SQFP with heat spreader	0 °C to 70 °C	1085571900

---

For additional information, contact your Microelectronics Group Account Manager or the following:

INTERNET: <http://www.lucent.com/micro>

E-MAIL: [docmaster@micro.lucent.com](mailto:docmaster@micro.lucent.com)

N. AMERICA: Microelectronics Group, Lucent Technologies Inc., 555 Union Boulevard, Room 30L-15P-BA, Allentown, PA 18109-3286  
**1-800-372-2447**, FAX 610-712-4106 (In CANADA: **1-800-553-2448**, FAX 610-712-4106)

ASIA PACIFIC: Microelectronics Group, Lucent Technologies Singapore Pte. Ltd., 77 Science Park Drive, #03-18 Cintech III, Singapore 118256  
**Tel. (65) 778 8833**, FAX (65) 777 7495

CHINA: Microelectronics Group, Lucent Technologies (China) Co., Ltd., A-F2, 23/F, Zao Fong Universe Building, 1800 Zhong Shan Xi Road, Shanghai 200233 P. R. China **Tel. (86) 21 6440 0468, ext. 325**, FAX (86) 21 6440 0652

JAPAN: Microelectronics Group, Lucent Technologies Japan Ltd., 7-18, Higashi-Gotanda 2-chome, Shinagawa-ku, Tokyo 141, Japan  
**Tel. (81) 3 5421 1600**, FAX (81) 3 5421 1700

EUROPE: Data Requests: MICROELECTRONICS GROUP DATALINE: **Tel. (44) 7000 582 368**, FAX (44) 1189 328 148

Technical Inquiries: GERMANY: **(49) 89 95086 0** (Munich), UNITED KINGDOM: **(44) 1344 865 900** (Ascot),

FRANCE: **(33) 1 40 83 68 00** (Paris), SWEDEN: **(46) 8 594 607 00** (Stockholm), FINLAND: **(358) 9 4354 2800** (Helsinki),

ITALY: **(39) 02 6608131** (Milan), SPAIN: **(34) 1 807 1441** (Madrid)

---

Lucent Technologies Inc. reserves the right to make changes to the product(s) or information contained herein without notice. No liability is assumed as a result of their use or application. No rights under any patent accompany the sale of any such product(s) or information.

