



530 MHz PLL Frequency Synthesizer LSI



Overview

The LV2105V is a PLL frequency synthesizer Bi-CMOS LSI that provides low-voltage operation and low current drain, and that is suitable for use in a variety of radio equipment.

Functions

- PLL function
- Data input by serial transfer (CCB format)
- Input amplifier for crystal oscillation circuit
- Data output port

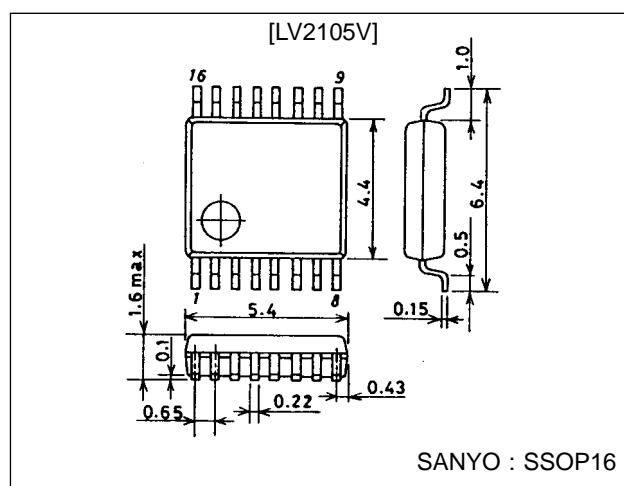
Features

- Low operating voltage: ($V_{CC} = 2.5$ to 5.5 V)
- Low current drain (5.5 mA)
- Compact package (SSOP16, 0.65 mm pitch)
- VCO band switching data output port on chip
- Data can be input while in power saving mode
- Data input pin high level can be input at V_{CC} or higher
- Independent setting of CP ON/OFF (high impedance) possible

Package Dimensions

unit: mm

3178-SSOP16



- CCB is a trademark of SANYO ELECTRIC CO., LTD.
- CCB is SANYO's original bus format and all the bus addresses are controlled by SANYO.

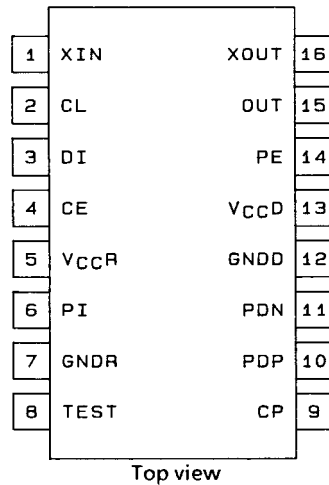
Specifications

Absolute Maximum Ratings at $T_a = 25$ °C

Parameter	Symbol	Conditions	Ratings	Unit
Maximum supply voltage	V_{CC} max	V_{CCR} , V_{CCD}	-0.3 to +6.0	V
Maximum input voltage	V_{IN} max(1)	CE, CL, DI	-0.3 to +6.0	V
	V_{IN} max(2)	XIN, TEST	-0.3 to $V_{CC}+0.3$	V
Maximum output voltage	V_{OUT} max(1)	PDP	-0.3 to +9.0	V
	V_{OUT} max(2)	PDN, OUT, PE	-0.3 to $V_{CC}+0.3$	V
Maximum output current	I_{OUT} max	PDP	0 to +1.0	mA
Allowable power dissipation	P_d max	$114 \times 76 \times 1.6$ mm ³ When using glass epoxy board	230	mW
Operating temperature	T_{opr}		-40 to +85	°C
Storage temperature	T_{stg}		-50 to +125	°C

LV2105V

Pin Assignment



A04678

Allowable Operating Ranges at Ta = -40 to +85 °C

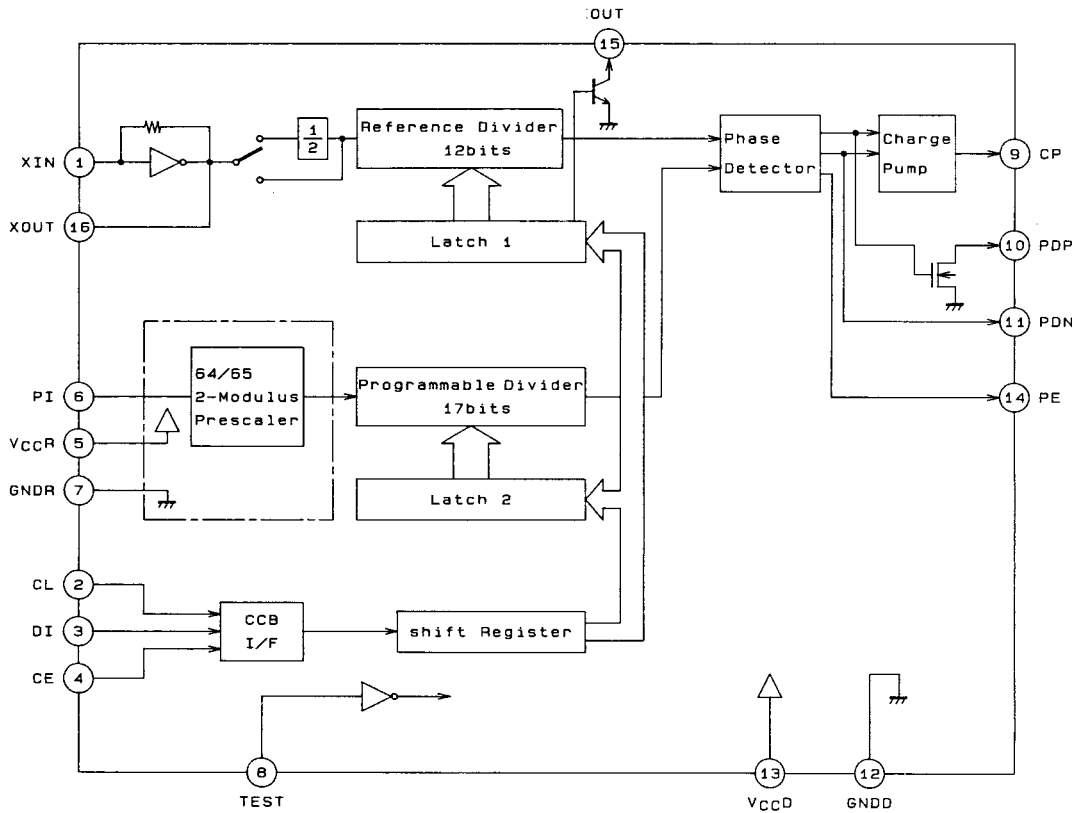
Parameter	Symbol	Conditions	Min	Typ	Max	Unit
Supply voltage	V _{CC}	V _{CCR} , V _{CCD}	2.5		5.5	V
High-level input voltage	V _{IH}	CE, CL, DI	V _{CCR} × 0.7		5.5	V
Low-level input voltage	V _{IL}	CE, CL, DI	0		+0.6	V
Output voltage	V _{OUT}	PDP	0		+7.0	V
Input frequency	f _{IN} (1)	XIN: Sine wave capacitive coupling	5		22	MHz
	f _{IN} (2)	PI: Sine wave capacitive coupling	100		530	MHz
Input amplitude	V _{IN} (1)	XIN: Sine wave capacitive coupling	-12		+10	dBm
	V _{IN} (2)	PI: Sine wave capacitive coupling	-18		0	dBm
Crystal oscillation condition	Xtal	XIN, (XOUT)	5		13	MHz

Electrical Characteristics at Ta = 25 °C, V_{CCR} = 3.0 V, V_{CCD} = 3.0 V

Parameter	Symbol	Conditions	min	typ	max	Unit
Low-level output voltage	V _{OL} (1)	PDP: I _O = 0.5 mA			0.5	V
	V _{OL} (2)	PDN: I _O = 0.5 mA			0.5	V
	V _{OL} (3)	PE: I _O = 0.5 mA			0.5	V
	V _{OL} (4)	OUT: I _O = 2.0 mA			0.5	V
High-level output voltage	V _{OH} (1)	PE: I _O = -0.5 mA	V _{CC} - 0.5			V
	V _{OH} (2)	PDN: I _O = -0.5 mA	V _{CC} - 0.5			V
Output off leak current	I _{OFF} (1)	PDP: V _O = 3.0 V			1.0	μA
	I _{OFF} (2)	CP: V _O = 1.5 V			100	nA
C.P output current	I _{CP}	CP: V _O = 1.5 V	±4.0	±7.5	±11	mA
High-level input current	I _H (1)	CE, CL, DI: V _I = 3.0 V			5.0	μA
	I _H (2)	XIN: V _I = 3.0 V	2.3	3.0	4.3	μA
	I _H (3)	TEST: V _I = 3.0 V			5.0	μA
Low-level input current	I _L (1)	CE, CL, DI: V _I = 0 V			5.0	μA
	I _L (2)	XIN: V _I = 0 V	2.3	3.0	4.3	μA
	I _L (3)	TEST: V _I = 0 V			5.0	μA
Internal feedback resistance	R _f	XIN		1.0		MΩ
Supply current	I _{CC} (1)	V _{CCR} , V _{CCD} : *1		5.5	9.0	mA
PS supply current	I _{CC} (2)	V _{CCR} , V _{CCD} : *1		0.4	0.6	mA

*1: XIN = 12.8 MHz, 10 dBm, PI = 400 MHz, 0 dBm, other input pins = 0 V, output, I/O pins = OPEN CP OFF

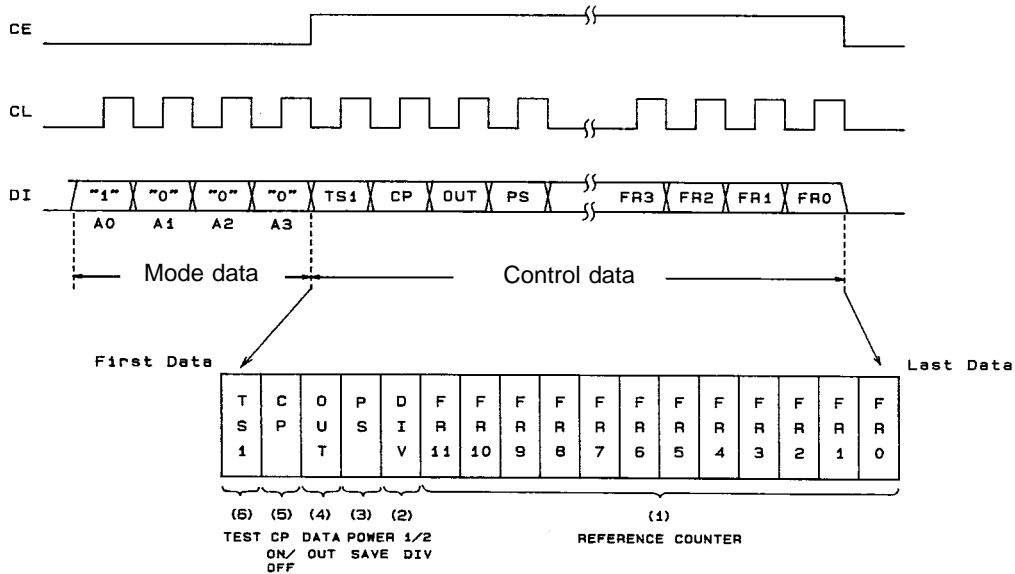
Equivalent Circuit Block Diagram



A04679

Serial Data (PLL Control Data) Configuration

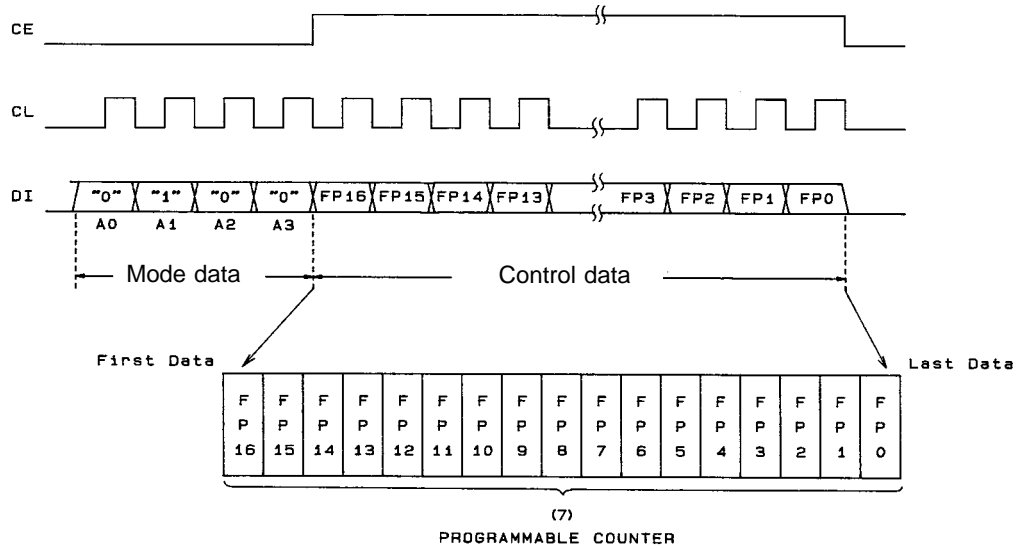
1) Mode 1: Latch-1 data (Reference divider, other data)



A02563

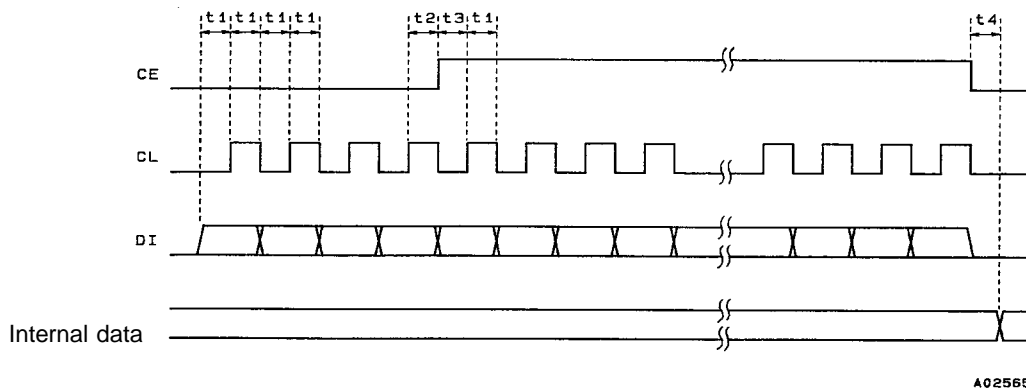
LV2105V

2) Mode 2: Latch-2 data (Programmable divider data)



A02564

Serial Data (Transfer) Timing



A02565

- $t_1 \geq 1.0 \mu s$
- $t_2 \geq 1.0 \mu s$
- $t_3 \geq 1.0 \mu s$
- $t_4 < 1.0 \mu s$

Serial Data Explanation

Pin No.	Control block/data	Internal block						
(1)	Reference frequency data FR0 to FR1	<ul style="list-style-type: none"> ▪ Data that sets the division ratio of the reference divider. Binary value with FR0 as the LSB. However, the settable division ratio factor is up to 4095. (Actual division ratio) = (Set division ratio) (x2: when DIV is "1") 						
(2)	1/2 divider data DIV	<ul style="list-style-type: none"> ▪ Data that sets whether to use 1/2 DIV or to enter the through state. <table border="1"> <thead> <tr> <th>DIV data</th> <th>Item</th> </tr> </thead> <tbody> <tr> <td>0</td> <td>Through</td> </tr> <tr> <td>1</td> <td>1/2 DIV</td> </tr> </tbody> </table>	DIV data	Item	0	Through	1	1/2 DIV
DIV data	Item							
0	Through							
1	1/2 DIV							

Continued on next page.

LV2105V

Continued from preceding page.

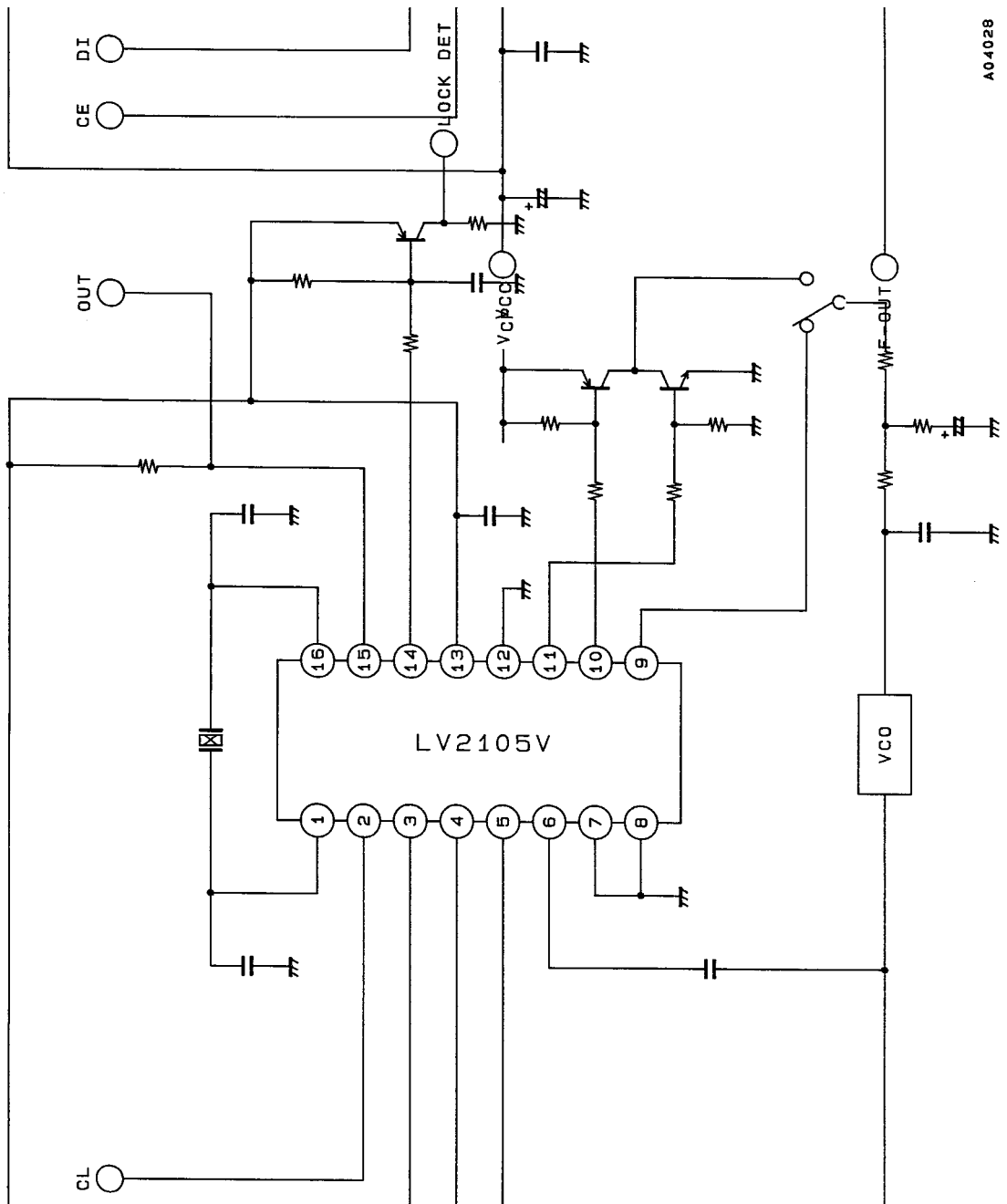
Pin No.	Control block/data	Internal block						
(3)	Power save data PS	<ul style="list-style-type: none"> ▪ Data that sets the power save mode on or off <table border="1" style="margin-left: 20px;"> <thead> <tr> <th style="text-align: center;">PS data</th> <th style="text-align: center;">Item</th> </tr> </thead> <tbody> <tr> <td style="text-align: center;">0</td> <td style="text-align: center;">Power save mode</td> </tr> <tr> <td style="text-align: center;">1</td> <td style="text-align: center;">Normal operation</td> </tr> </tbody> </table>	PS data	Item	0	Power save mode	1	Normal operation
PS data	Item							
0	Power save mode							
1	Normal operation							
(4)	Output port data OUT	<ul style="list-style-type: none"> ▪ Data that sets the output of the output port <table border="1" style="margin-left: 20px;"> <thead> <tr> <th style="text-align: center;">OUT data</th> <th style="text-align: center;">OUT Pin</th> </tr> </thead> <tbody> <tr> <td style="text-align: center;">0</td> <td style="text-align: center;">Low</td> </tr> <tr> <td style="text-align: center;">1</td> <td style="text-align: center;">High</td> </tr> </tbody> </table>	OUT data	OUT Pin	0	Low	1	High
OUT data	OUT Pin							
0	Low							
1	High							
(5)	Charge pump ON/OFF data CP	<ul style="list-style-type: none"> ▪ Data that sets whether to operate the charge pump or to implement high impedance. <table border="1" style="margin-left: 20px;"> <thead> <tr> <th style="text-align: center;">CP data</th> <th style="text-align: center;">Item</th> </tr> </thead> <tbody> <tr> <td style="text-align: center;">0</td> <td style="text-align: center;">High impedance</td> </tr> <tr> <td style="text-align: center;">1</td> <td style="text-align: center;">Normal operation</td> </tr> </tbody> </table>	CP data	Item	0	High impedance	1	Normal operation
CP data	Item							
0	High impedance							
1	Normal operation							
(6)	LSI test data TS1	<ul style="list-style-type: none"> ▪ LSI test mode switch. Set TS1 = 0. Normally, the TEST pin is connected to GND. 						
(7)	Programmable divider data FP0 to FP16	<ul style="list-style-type: none"> ▪ Data that sets the division ratio of the programmable divider. Binary value with FP0 as the LSB. However, the settable division ratio factor is up to 131071. 						

Pin Functions

	Pin Name	Pin Function	I/O Style
1	XIN	Reference signal input pin (Xtal oscillation pin)	CMOS input
2	CL	Data input pin	CMOS, No pull-down
3	DI	Data input pin	CMOS, No pull-down
4	CE	Data input pin	CMOS, No pull-down
5	V _{CCR}	ECL block power supply pin	
6	PI	Comparison signal input pin	BIP input
7	GND R	ECL block GND pin	
8	TEST	LSI test pin. Must be connected to GND.	CMOS, No pull-down
9	CP	Built-in charge pump output pin	BIP
10	PDP	Phase comparator output for an external charge pump. If not to be used, connect to GND.	CMOS, Nch open-drain output
11	PDN	Phase comparator output for an external charge pump.	CMOS output
12	GND D	GND pin for circuits except the ECL block	
13	V _{CCD}	Power supply pin for circuits except the ECL block	
14	PE	Phase error output pin for phase comparator	CMOS output
15	OUT	Output port pin for switching external SW.	BIP NPN open-collector output
16	XOUT	Output pin for Xtal oscillation	CMOS output

LV2105V

Sample Application Circuit



A04028

- No products described or contained herein are intended for use in surgical implants, life-support systems, aerospace equipment, nuclear power control systems, vehicles, disaster/crime-prevention equipment and the like, the failure of which may directly or indirectly cause injury, death or property loss.
- Anyone purchasing any products described or contained herein for an above-mentioned use shall:
 - ① Accept full responsibility and indemnify and defend SANYO ELECTRIC CO., LTD., its affiliates, subsidiaries and distributors and all their officers and employees, jointly and severally, against any and all claims and litigation and all damages, cost and expenses associated with such use:
 - ② Not impose any responsibility for any fault or negligence which may be cited in any such claim or litigation on SANYO ELECTRIC CO., LTD., its affiliates, subsidiaries and distributors or any of their officers and employees jointly or severally.
- Information (including circuit diagrams and circuit parameters) herein is for example only; it is not guaranteed for volume production. SANYO believes information herein is accurate and reliable, but no guarantees are made or implied regarding its use or any infringements of intellectual property rights or other rights of third parties.

This catalog provides information as of December, 1995. Specifications and information herein are subject to change without notice.