



SANYO Semiconductors

DATA SHEET

An ON Semiconductor Company

LV5230BG — Bi-CMOS IC 7ch×17ch LED Driver

Overview

The LV5230BG is a dot-matrix LED driver IC for cell phones.

Features

- 7×17 dot-matrix LED driver
(5×15 dot-matrix supported)
- Each dot can be set for display over the serial bus.

Functions

- LED driver
 - Column (anode) driving P-channel driver × 17 channels
 - Row (cathode) driving N-channel driver × 7 channels
 - LED current per dot : 25mA maximum
 - Two flames of 7×17 (5×15) patterns can be set.
 - 7 grayscale level adjustment on a dot basis (PWM duty factor switching)
 - Reverse display
 - Horizontal scroll (1 frame/2 frames)
 - Continuous/single scroll selectable
 - Vertical scroll (1 frame/2 frames)
 - Continuous/single scroll selectable
 - Automatic flashing can be specified per each dot
 - Interrupt output at the end of scroll
 - Ring tone synchronization function
- LED driving open drain output × 2

■ Any and all SANYO Semiconductor Co.,Ltd. products described or contained herein are, with regard to "standard application", intended for the use as general electronics equipment (home appliances, AV equipment, communication device, office equipment, industrial equipment etc.). The products mentioned herein shall not be intended for use for any "special application" (medical equipment whose purpose is to sustain life, aerospace instrument, nuclear control device, burning appliances, transportation machine, traffic signal system, safety equipment etc.) that shall require extremely high level of reliability and can directly threaten human lives in case of failure or malfunction of the product or may cause harm to human bodies, nor shall they grant any guarantee thereof. If you should intend to use our products for applications outside the standard applications of our customer who is considering such use and/or outside the scope of our intended standard applications, please consult with us prior to the intended use. If there is no consultation or inquiry before the intended use, our customer shall be solely responsible for the use.

■ Specifications of any and all SANYO Semiconductor Co.,Ltd. products described or contained herein stipulate the performance, characteristics, and functions of the described products in the independent state, and are not guarantees of the performance, characteristics, and functions of the described products as mounted in the customer's products or equipment. To verify symptoms and states that cannot be evaluated in an independent device, the customer should always evaluate and test devices mounted in the customer's products or equipment.

LV5230BG

Specifications

Maximum Ratings at Ta = 25°C

Parameter	Symbol	Conditions	Ratings	Unit
Maximum supply voltage	V _{CC} max1	SV _{CC} , V _{DD}	5.5	V
	V _{CC} max2	LEDV _{DD}	6	V
Allowable power dissipation	Pd max	Mounted on a board *	1.15	W
Operating temperature	T _{opr}		-30 to +85	°C
Storage temperature	T _{stg}		-40 to +125	°C

* Designated board : 40mm×50mm×0.8mm, glass epoxy 4-layer board (2S2P)

Operating Conditions at Ta = 25°C

Parameter	Symbol	Conditions	Ratings	Unit
Supply voltage 1	V _{BAT}	SV _{CC}	3 to 4.5	V
Supply voltage 2	V _{DD}	V _{DD}	1.65 to 3	V
Supply voltage 3	VLEDV _{DD}	LEDV _{DD}	2.7 to 5.5	V

* Power application sequence : 1. V_{BAT} 2. V_{DD} V_{BAT} > V_{DD}, No restriction on VLEDV_{DD}.

* Same level of voltage LEDV_{CC} must be applied to the 4 pins as VLEDV_{DD} voltage.

Electrical Characteristics, Analog Block Ta = 25°C, V_{BAT} = 3.7V, V_{DD} = 2.6V, LEDV_{DD} = 3.7V, unless otherwise specified

Parameter	Symbol	Conditions	Ratings			Unit
			min	typ	max	
Consumption current (SV_{CC}+V_{DD}+LEDV_{DD})						
Consumption current 1	I _{CC1}	RESET : L		0	5	μA
Consumption current 2	I _{CC2}	RESET : H, serial default		0.3	5	μA
Consumption current 3A	I _{CC3A}	When STBY mode is released, RT external resistance value is 27kΩ		1.9	3	mA
Consumption current 3B	I _{CC3B}	When STBY mode is released, RT external resistance value is 160kΩ		1	2	mA
LEDSW						
On resistance 1	R _{on1}	ROW1 to 7 : I _L = 425mA		1	2	Ω
On resistance 2	R _{on2}	LEDO1, LEDO2 : I _L = 20mA		2	4	Ω
LED current 1	I _{LED1}	COL1 to COL17 : V _O = LEDV _{DD} -0.5V RT external resistance value : 27kΩ	20	22.5	25	mA
LED current 2	I _{LED2}	COL1 to COL17 : V _O = LEDV _{DD} -0.5V RT external resistance value : 160kΩ	2.8	3.8	4.8	mA
Leakage current 1	I _{L1}	ROW1 to ROW : V _O = 5V			1	μA
Leakage current 2	I _{L2}	COL1 to COL17 : V _O = 0V, LEDV _{DD} = 5V			1	μA
Leakage current 3	I _{L3}	LEDO1, LEDO2 : V _O = 5V			1	μA
OSC						
Oscillator frequency	F1	When RT external resistance is 27kΩ, CT external capacitance is 120pF	900	1000	1100	kHz
Oscillator frequency	F1	When RT external resistance is 160kΩ, CT external capacitance is 10pF	900	1000	1100	kHz
RT						
Maximum. LED drive current setting	I _{L1}	RT external resistance : 27kΩ LED maximum drive current = 607.5/RT resistance	20	22.5	25	mA

Continued on next page.

LV5230BG

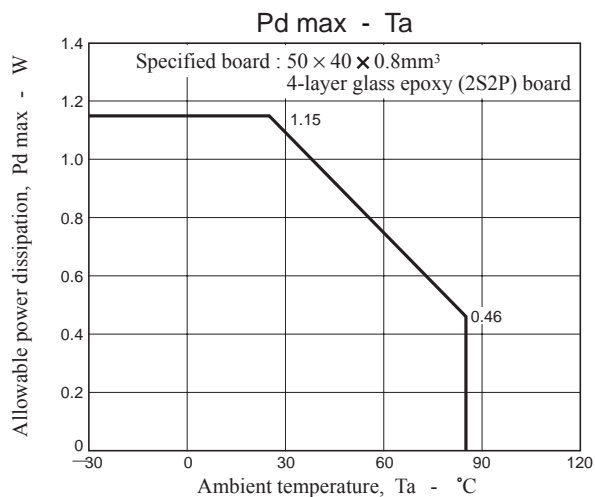
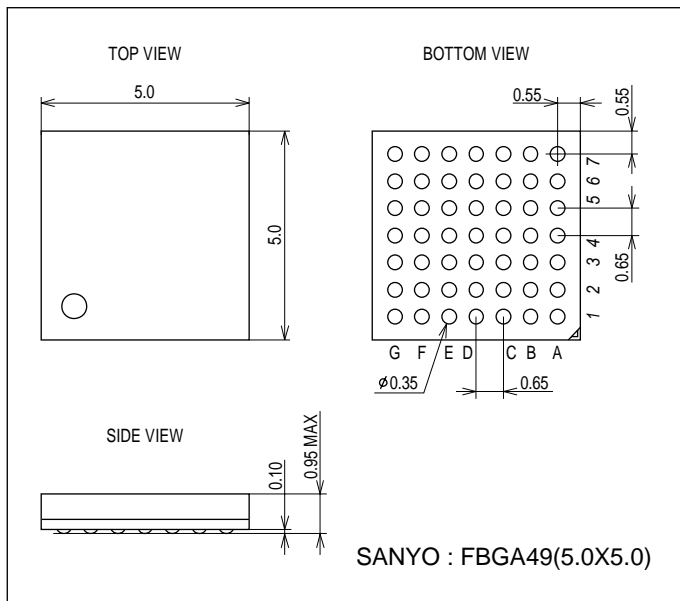
Continued from preceding page.

Parameter	Symbol	Conditions	Ratings			Unit
			min	typ	max	
Control Circuit Block						
H level 1	V _{INH1}	Input H level, SDA, SCL	V _{DD} ×0.8			V
L level 1	V _{INL1}	Input L level, SDA, SCL	0		V _{DD} ×0.2	V
H level 2	V _{INH2}	Input H level, RESET, SCTL	1.5			V
L level 2	V _{INL2}	Input L level, RESET, SCTL	0		0.3	V
H input current 3	I _{HIN3}	Inflow-outflow current, when VBAT voltage is applied to RESET pin.	-1	0	1	μA
L input current 3	I _{LIN3}	Inflow-outflow current, when 0V is applied to RESET pin.	-1	0	1	μA
H input current 4	I _{HIN4}	Inflow-outflow current, when VBAT voltage is applied to SCTL pin.	15	47	75	μA
L input current 4	I _{LIN4}	Inflow-outflow current, when 0V is applied to SCTL pin.	-1	0	1	μA
H output level 1	V _{H1}	INTO pin, H level, I _O = 1mA	V _{DD} -0.3		V _{DD}	V
L output level 1	V _{L1}	INTO pin, L level, I _O = 1mA	0		0.3	V

Package Dimensions

unit : mm (typ)

3396



LV5230BG

Pin Assignment

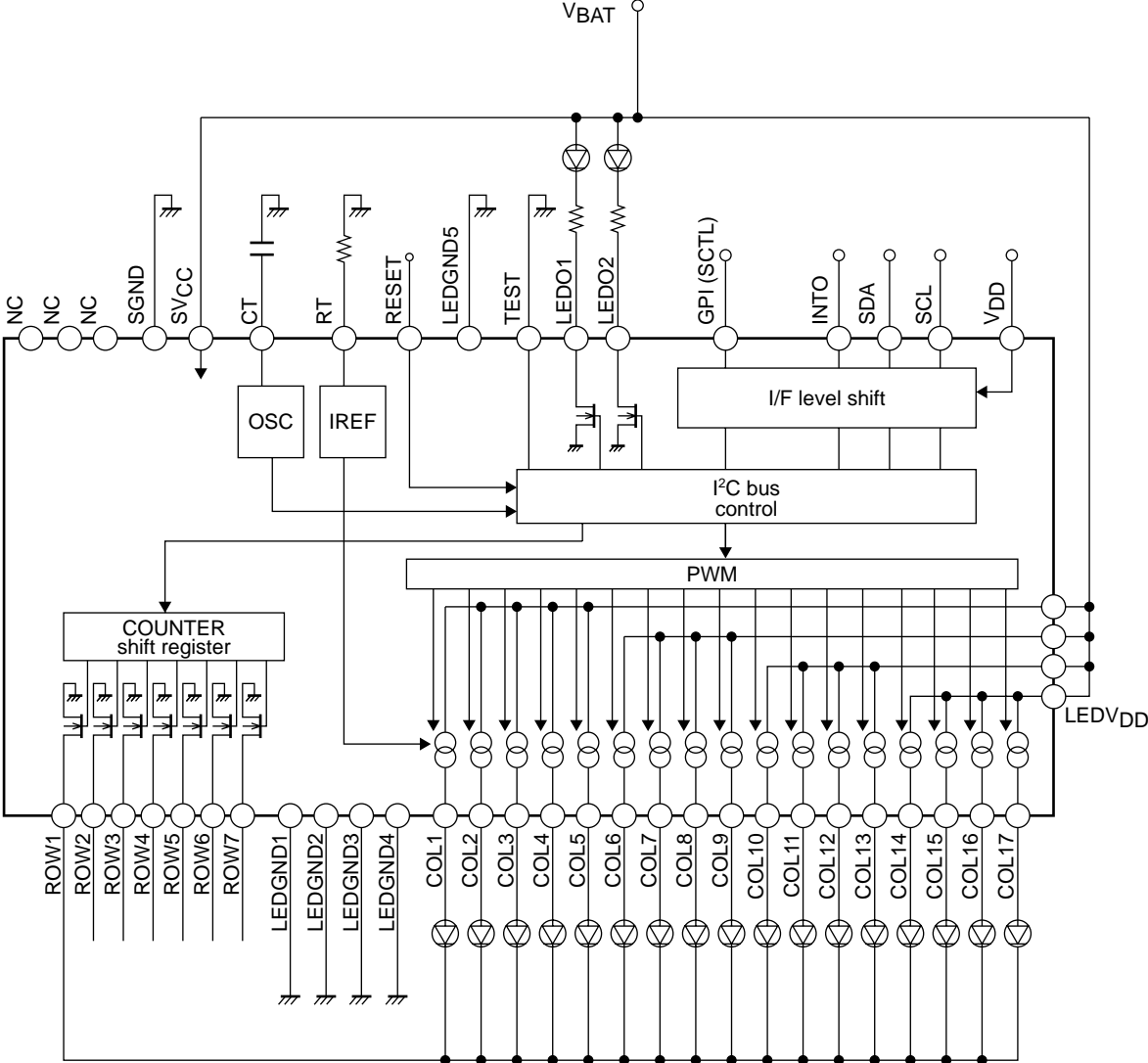
Top view

	G	F	E	D	C	B	A	
1	NC	COL16	CT	SGND	LEDGND ₁	ROW2	TEST	1
2	LEDV _{DD}	COL17	SV _{CC}	SDA	ROW1	ROW3	RT	2
3	COL15	COL14	COL13	SCL	V _{DD}	LEDGND ₂	ROW4	3
4	LEDV _{DD}	COL12	COL11	RESET	INTO	ROW5	LEDGND ₃	4
5	COL10	COL9	COL4	COL2	GPI	ROW6	LEDGND ₄	5
6	LEDV _{DD}	COL8	COL5	COL3	LEDO2	LEDO1	ROW7	6
7	NC	COL7	COL6	LEDV _{DD}	COL1	LEDGND ₅	NC	7
	G	F	E	D	C	B	A	

Grid	PIN NAME	Function	Protection diode vs. LEDV _{DD}	Protection diode vs. SV _{CC}	Protection diode vs. GND
A1	TEST	TEST input pin		○	○
A2	RT	Standard current setting resistance connection pin			○
A3	ROW4	ROW SW4	○		○
A4	LEDGND3	ROW SW GND			
A5	LEDGND4	ROW SW GND			
A6	ROW7	ROW SW7	○		○
A7	NC	No connection			
B1	ROW2	ROW SW2	○		○
B2	ROW3	ROW SW3	○		○
B3	LEDGND2	ROW SW GND			
B4	ROW5	ROW SW5	○		○
B5	ROW6	ROW SW6	○		○
B6	LEDO1	LED driver 1			○
B7	LEDGND5	LEDO1,2 exclusive GND			
C1	LEDGND1	ROW SW GND	-	-	-
C2	ROW1	ROW SW1	○		○
C3	V _{DD}	Serial I/O supply voltage		○	○
C4	INTO	INT output		○	○
C5	GPI	Receiving melody synchronous signal input pin		○	○
C6	LEDO2	LED driver 2			○
C7	COL1	COL SW1	○		○
D1	SGND	Analog logic GND			
D2	SDA	Serial data signal input			○
D3	SCL	Serial clock signal input			○
D4	RESET	Reset pin		○	○
D5	COL2	COL SW2	○		○
D6	COL3	COL SW3	○		○
D7	LEDV _{DD}	Dot matrix LED drive voltage impression pin			
E1	CT	Setting of frequency of transmitter capacitor connection pin			○
E2	SV _{CC}	Analog logic supply voltage			
E3	COL13	COL SW13	○		○
E4	COL11	COL SW11	○		○
E5	COL4	COL SW4	○		○
E6	COL5	COL SW5	○		○
E7	COL6	COL SW6	○		○
F1	COL16	COL SW16	○		○
F2	COL17	COL SW17	○		○
F3	COL14	COL SW14	○		○
F4	COL12	COL SW12	○		○
F5	COL9	COL SW9	○		○
F6	COL8	COL SW8	○		○
F7	COL7	COL SW7	○		○
G1	NC	No connection			
G2	LEDV _{DD}	Dot matrix LED drive voltage impression pin			
G3	COL15	COL SW15	○		○
G4	LEDV _{DD}	Dot matrix LED drive voltage impression pin			
G5	COL10	COL SW10	○		○
G6	LEDV _{DD}	Dot matrix LED drive voltage impression pin			
G7	NC	No connection			

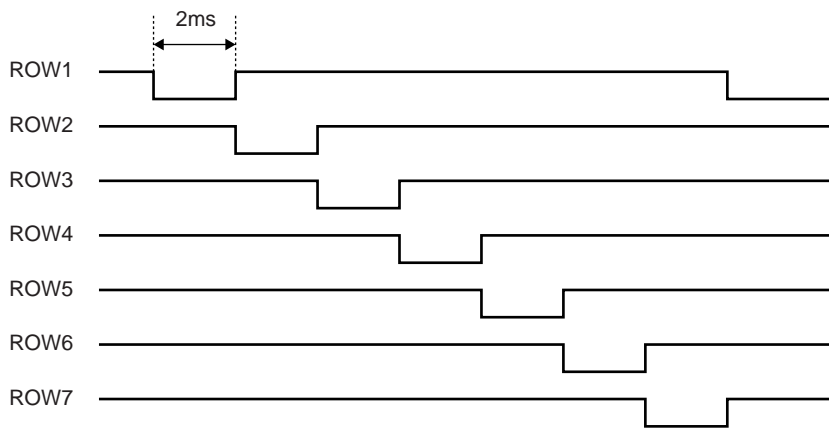
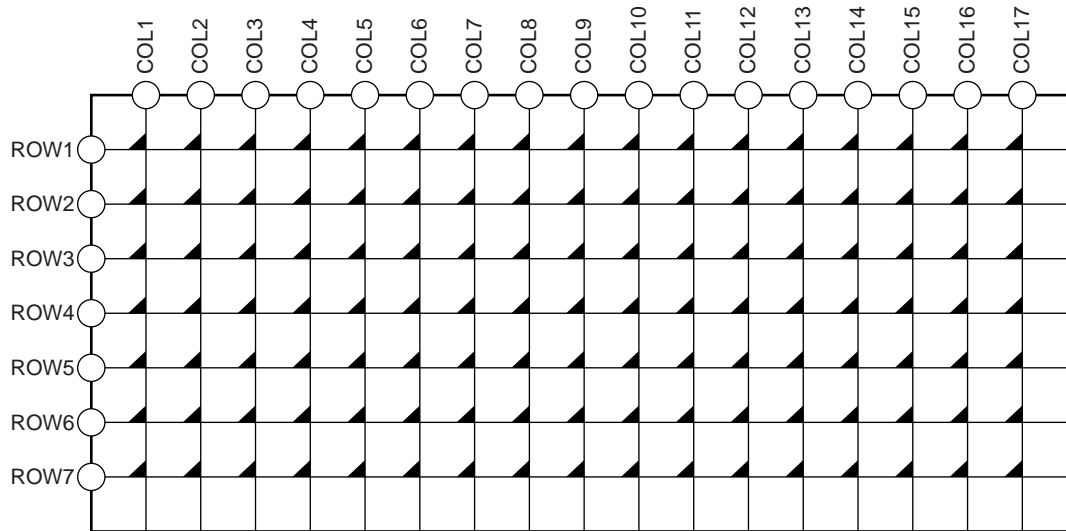
LV5230BG

Block Diagram



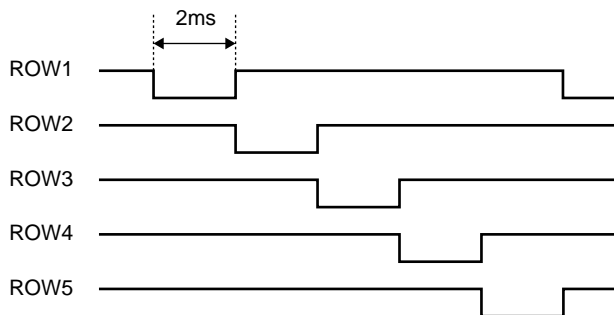
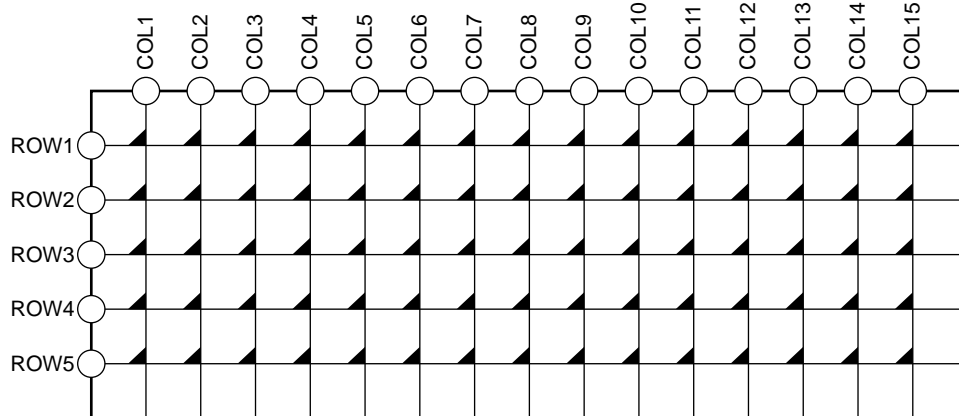
LV5230BG

Dot Matrix LED 7 × 17



Dynamic Display

Dot Matrix LED 5 × 15



Dynamic Display

LV5230BG

Pin Functions

Pin No.	Pin name	Pin Description	Equivalent Circuit
A1	TEST	Test signal input pin. Be sure to connect the pin to GND.	
A2	RT	Reference current setting resistor connection pin. By connecting the external resistor between this pin and GND, the reference current is generated. The pin voltage is about 0.61V. Change of this current value enables change of the oscillation frequency and LED driver current value (COL1 to COL17 only).	
A3 A6 B1 B2 B4 B5 C2	ROW4 ROW7 ROW2 ROW3 ROW5 ROW6 ROW1	N-channel driver output pins 1 to 7 for row (cathode) drive. Must be connected to GND when not to be used.	
A4	LEDGND3	ROW SW GND.	
A5	LEDGND4	ROW SW GND.	
A7 G1 G7	NC	No connection.	
B3	LEDGND2	ROW SW GND.	
B6 C6	LEDO1 LEDO2	Open drain output pins for LED drive. Must be connected to GND when not to be used.	
B7	LEDGND5	GND pin dedicated for LEDO1 and LEDO2.	
C1	LEDGND1	ROW SW GND.	
C3	V _{DD}	Power supply for serial I/F.	
C4	INTO	Interrupt signal output pin.	

Continued on next page.

LV5230BG

Continued from preceding page.

Pin No.	Pin name	Pin Description	Equivalent Circuit
C5	GPI	Ringing tone synchronization signal input pin. Must be connected to GND when not to be used.	
C7 D5 D6 E3 E4 E5 E6 E7 F1 F2 F3 F4 F5 F6 F7 G3 G5	COL1 COL2 COL3 COL13 COL11 COL4 COL5 COL6 COL16 COL17 COL14 COL12 COL9 COL8 COL7 COL15 COL10	P-channel driver output pins 1 to 17 for column (anode) drive. Must be connected to GND when not to be used.	
D7 G2 G4 G6	LEDV _{DD}	Dot matrix LED drive voltage supply pins.	
D1	SGND	Analog circuit GND pin.	
D2	SDA	Serial data signal input pin.	
D3	SCL	Serial clock signal input pin.	

Continued on next page.

LV5230BG

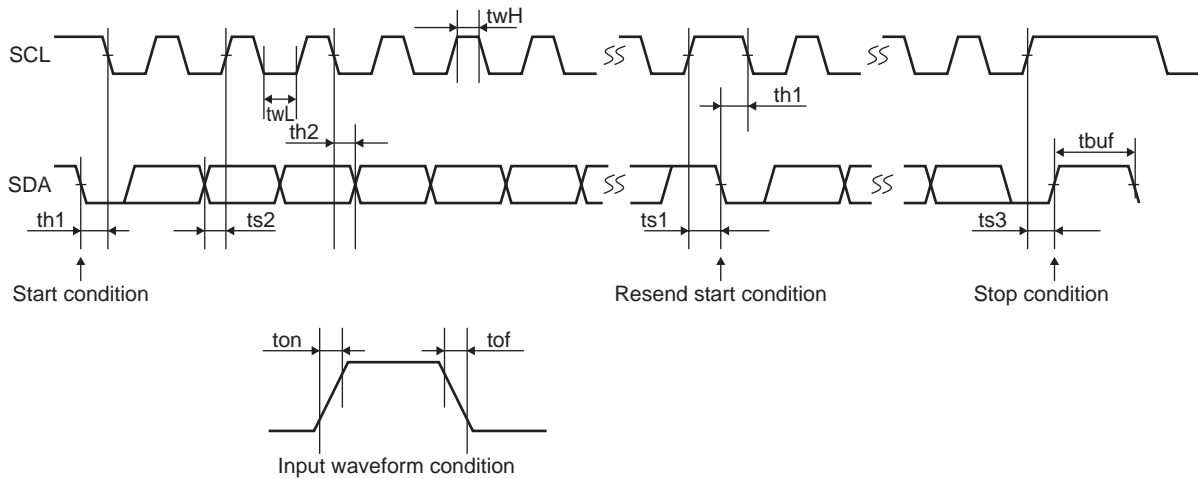
Continued from preceding page.

Pin No.	Pin name	Pin Description	Equivalent Circuit
D4	RESET	Reset signal input pin. Reset state when low.	
E1	CT	Oscillator frequency setting capacitor connection pin. The oscillation frequency can be adjusted by changing the value of capacitor at CT pin.	
E2	SVCC	Analog circuit power supply.	

LV5230BG

Serial Bus Communication Specifications

I²C serial transfer timing conditions



Standard mode

Parameter	symbol	Conditions	min	typ	max	unit
SCL clock frequency	fscl	SCL clock frequency	0		100	kHz
Data set up time	ts1	SCL setup time relative to the fall of SDA	4.7			μs
	ts2	SDA setup time relative to the rise of SCL	250			ns
	ts3	SCL setup time relative to the rise of SDA	4.0			μs
Data hold time	th1	SCL data hold time relative to the fall of SDA	4.0			μs
	th2	SDA hold time relative to the fall of SCL	0			μs
Pulse width	twL	SCL pulse width for the L period	4.7			μs
	twH	SCL pulse width for the H period	4.0			μs
Input waveform conditions	ton	SCL and SDA (input) rise time			1000	ns
	tof	SCL and SDA (input) fall time			300	ns
Bus free time	tbuf	Time between STOP and START conditions	4.7			μs

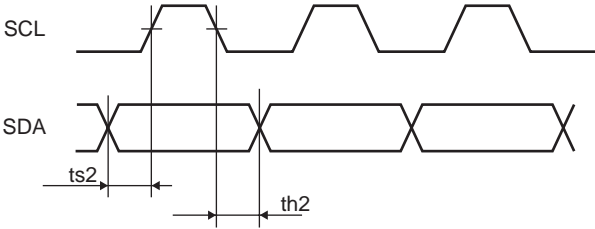
High-speed mode

Parameter	Symbol	Conditions	min	typ	max	unit
SCL clock frequency	fscl	SCL clock frequency	0		400	kHz
Data setup time	ts1	SCL setup time relative to the fall of SDA	0.6			μs
	ts2	SDA setup time relative to the rise of SCL	100			ns
	ts3	SCL setup time relative to the rise of SDA	0.6			μs
Data hold time	th1	SCL data hold time relative to the fall of SDA	0.6			μs
	th2	SDA hold time relative to the fall of SCL	0			μs
Pulse width	twL	SCL pulse width for the L period	1.3			μs
	twH	SCL pulse width for the H period	0.6			μs
Input waveform conditions	ton	SCL and SDA (input) rise time			300	ns
	tof	SCL and SDA (input) fall time			300	ns
Bus free time	tbuf	Time between STOP and START conditions	1.3			μs

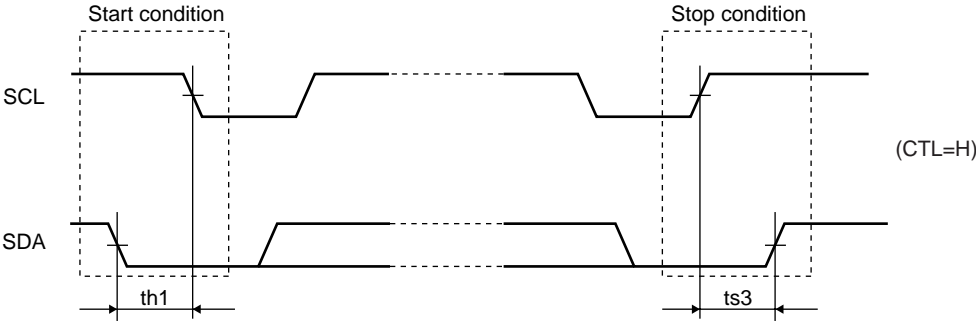
I²C bus transmission method

Start and stop conditions

In the I²C bus, SDA must basically be kept in the constant state while SCL is "H" as shown below during data transfer.



When data transfer is not made, both SCL and SDA are in the "H" state.
When SCL = SDA = "H", change of SDA from "H" to "L" enables the start conditions to start access.
When SCL is "H", change of SDA from "L" to "H" enables the stop conditions to stop access.



Data transfer and acknowledgement response

After establishment of start conditions, data transfer is made by one byte (8 bits).

Data transfer enables continuous transfer of any number of bytes.

Each time the 8-bit data is transferred, the ACK signal is sent from the receive side to the send side.

The ACK signal is issued when SDA on the send side is released and SDA on the receive side is set "L" immediately after fall of the clock pulse at the SCL eighth bit of data transfer to "L".

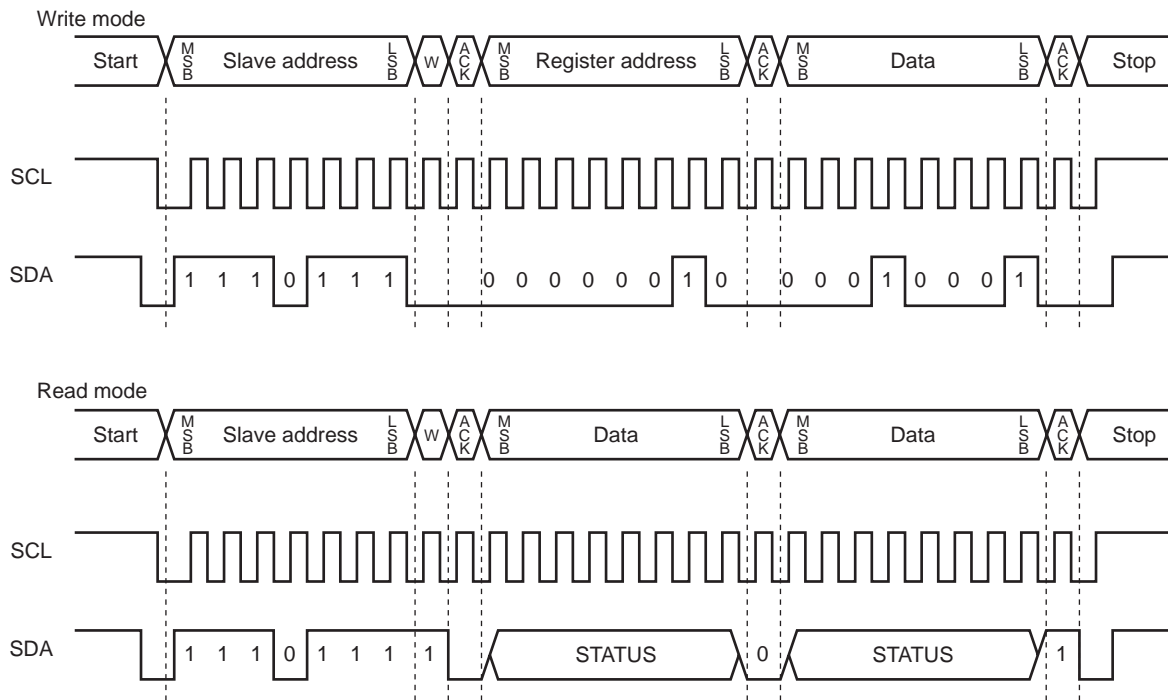
When the next 1-byte transfer is left in the receive state after transmission of the ACK signal from the receive side, the receive side releases SDA at fall of the SCL ninth clock.

In the I²C bus, there is no CE signal. Instead, 7-bit slave address is assigned to each device and the first byte of transfer is assigned to the command (R/W) representing the 7-bit slave address and subsequent transfer direction.

The 7-bit address is transferred sequentially from MSB and if the eighth bit is "L", the second byte is WRITE mode and if "H", the second byte is READ mode.

In the READ mode, the ACK signal issued immediately before sending the stop condition must be 1.

In LV5230, the slave address is specified as (1110111).



LV5230BG

Serial modes setting

address : 00h CTRL1

00h CTRL1	D7	D6	D5	D4	D3	D2	D1	D0
Register name	STBY	-	MXMODE	MSWEN	-	DFCLR	FADECLR	SCRLCLR
R/W	W		W	W		W	W	W
Default	0		0	0		0	0	0

D0 : SCRLCLR Scroll interrupt signal clear

0 : Scroll interrupt signal stays active.

1 : Scroll interrupt signal cleared. * Automatically updated to 0 after being set to 1.

D1 : FADECLR Fade interrupt signal clear

0 : Fade interrupt signal stays active.

1 : Fade interrupt signal cleared. * Automatically updated to 0 after being set to 1.

D2 : DFCLR Pallette fade interrupt signal clear

0 : Pallette fade interrupt signal stays active.

1 : Pallette fade interrupt signal cleared. * Automatically updated to 0 after being set to 1.

D4 : MSWEN Ringing tone synchronization enable

0 : Ringing tone synchronization enabled. * GPI = L : All LEDs turned off, GPI = H : Normal operation

1 : Ringing tone synchronization disabled.

D5 : MXMODE LED matrix mode switching

0 : 7 × 17 LED matrix

1 : 5 × 15 LED matrix

D7: STBY Standby mode

0 : Standby

1 : Operation

LV5230BG

address : 01h CTRL2

01h CTRL2	D7	D6	D5	D4	D3	D2	D1	D0
Register name	LEDOFF	-	LED2	LED1	-	ROTHEN	ROTVEN	PAGE
R/W	W		W	W		W	W	W
Default	0		0	0		0	0	0

D0 : PAGE Display page

0 : Frame 1 displayed

1 : Frame 2 displayed

D1 : ROTVEN Vertical rotation

0 : Normal display

1 : Vertically rotated display

D2 : ROTHEN Horizontal rotation

0 : Normal display

1 : Horizontally rotated display

D4 : LED1 LED1 enable

0 : LED1 turned off

1 : LED1 turned on

D5 : LED2 LED2 enable

0 : LED2 turned off

1 : LED2 turned on

D7 : LEDOFF Screen display ON/OFF

0 : Normal operation

1 : All matrix LEDs turned off

LV5230BG

address : 02h DOTMODE

02h DOTMODE	D7	D6	D5	D4	D3	D2	D1	D0
Register name	DOTEN	DOTMODE	-	-	DOTSP [3]	DOTSP [2]	DOTSP [1]	DOTSP [0]
R/W	W	W			W	W	W	W
Default	0	0			0	0	0	0

D3-D0 : DOTSP Flashing/brightness inversion speed

D3	D2	D1	D0		
0	0	0	0	ON : 0.05s	OFF : 0.05s
0	0	0	1	ON : 0.10s	OFF : 0.10s
0	0	1	0	ON : 0.15s	OFF : 0.15s
0	0	1	1	ON : 0.20s	OFF : 0.20s
0	1	0	0	ON : 0.25s	OFF : 0.25s
0	1	0	1	ON : 0.30s	OFF : 0.30s
0	1	1	0	ON : 0.35s	OFF : 0.35s
0	1	1	1	ON : 0.40s	OFF : 0.40s
1	0	0	0	ON : 0.45s	OFF : 0.45s
1	0	0	1	ON : 0.50s	OFF : 0.50s
1	0	1	0	ON : 0.55s	OFF : 0.55s
1	0	1	1	ON : 0.60s	OFF : 0.60s
1	1	0	0	ON : 0.65s	OFF : 0.65s
1	1	0	1	ON : 0.70s	OFF : 0.70s
1	1	1	0	ON : 0.75s	OFF : 0.75s
1	1	1	1	ON : 0.80s	OFF : 0.80s

D6 : DOTMODE Flashing/brightness inversion display switching

0 : Flashing

1 : Brightness inversion

D7 : DOTEN Flashing/brightness inversion display enable

0 : Disable

1 : Enable

LV5230BG

address : 03h AUTOPAGE

03h AUTOPAGE	D7	D6	D5	D4	D3	D2	D1	D0
Register name	PGEN	-	-	-	PGSP [3]	PGSP [2]	PGSP [1]	PGSP [0]
R/W	W				W	W	W	W
Default	0				0	0	0	0

D3 top D0 : PGSP Page switching speed

D3	D2	D1	D0		
0	0	0	0	Page1 : 0.05s	Page2 : 0.05s
0	0	0	1	Page1 : 0.10s	Page2 : 0.10s
0	0	1	0	Page1 : 0.15s	Page2 : 0.15s
0	0	1	1	Page1 : 0.20s	Page2 : 0.20s
0	1	0	0	Page1 : 0.25s	Page2 : 0.25s
0	1	0	1	Page1 : 0.30s	Page2 : 0.30s
0	1	1	0	Page1 : 0.35s	Page2 : 0.35s
0	1	1	1	Page1 : 0.40s	Page2 : 0.40s
1	0	0	0	Page1 : 0.45s	Page2 : 0.45s
1	0	0	1	Page1 : 0.50s	Page2 : 0.50s
1	0	1	0	Page1 : 0.55s	Page2 : 0.55s
1	0	1	1	Page1 : 0.60s	Page2 : 0.60s
1	1	0	0	Page1 : 0.65s	Page2 : 0.65s
1	1	0	1	Page1 : 0.70s	Page2 : 0.70s
1	1	1	0	Page1 : 0.75s	Page2 : 0.75s
1	1	1	1	Page1 : 0.80s	Page2 : 0.80s

D7 : PGEN Automatic page switching enable

0 : Disable

1 : Enable

LV5230BG

address : 04h SCCON1

04h SCCON1	D7	D6	D5	D4	D3	D2	D1	D0
Register name	SCEN	SCDIR [1]	SCDIR [0]	SCMODE	SCSP [3]	SCSP [2]	SCSP [1]	SCSP [0]
R/W	W	W	W	W	W	W	W	W
Default	0	0	0	0	0	0	0	0

D3 to D0 : SCSP Scroll speed per dot

D3	D2	D1	D0	
0	0	0	0	50ms
0	0	0	1	100ms
0	0	1	0	150ms
0	0	1	1	200ms
0	1	0	0	250ms
0	1	0	1	300ms
0	1	1	0	350ms
0	1	1	1	400ms
1	0	0	0	450ms
1	0	0	1	500ms
1	0	1	0	550ms
1	0	1	1	600ms
1	1	0	0	650ms
1	1	0	1	700ms
1	1	1	0	750ms
1	1	1	1	800ms

D4 : SCMODE Page mode when scrolling

0 : Scrolls and displays the current page repeatedly.

1 : Scrolls and displays the current and other pages alternately.

D6 to D5 : SCDIR Scroll direction

D6	D5	
0	0	Right
0	1	Left
1	0	Up
1	1	Down

D7 : SCEN Scroll enable

0 : Disable

1 : Enable

LV5230BG

address : 05h SCON2

05h SCON2	D7	D6	D5	D4	D3	D2	D1	D0
Register name	SCGO	-	SCCNT [5]	SCCNT [4]	SCCNT [3]	SCCNT [2]	SCCNT [1]	SCCNT [0]
R/W	W		W	W	W	W	W	W
Default	0		0	0	0	0	0	0

D0 to D5 : SCCNT Scroll increment

17 × 7 mode

When SCON1.SCDIR = 0 or 1 : 1 to 34

When SCON1.SCDIR = 2 or 3 : 1 to 14

15 × 5 mode

When SCON1.SCDIR = 0 or 1 : 1 to 30

When SCON1.SCDIR = 2 or 3 : 1 to 10

* Scrolls one page when SCCNT = 0.

D7 : SCGO Scroll start

0 : Standby

1 : Scroll start

* The scrolled state is maintained until SCON1 and SCEN are set low.

LV5230BG

address : 06h FADECON

06h FADECON	D7	D6	D5	D4	D3	D2	D1	D0
Register name	FADEEN	FADEGO	FADEIO	FADEMOD	FDSP [3]	FDSP [2]	FDSP [1]	FDSP [0]
R/W	W	W	W	W	W	W	W	W
Default	0	0	0	0	0	0	0	0

D3 to D0 : FDSP Fade speed per 1 grayscale level (It takes (following set value × 64) seconds to complete fading)

D3	D2	D1	D0	
0	0	0	0	2ms
0	0	0	1	4ms
0	0	1	0	6ms
0	0	1	1	8ms
0	1	0	0	10ms
0	1	0	1	12ms
0	1	1	0	14ms
0	1	1	1	16ms
1	0	0	0	18ms
1	0	0	1	20ms
1	0	1	0	22ms
1	0	1	1	24ms
1	1	0	0	26ms
1	1	0	1	28ms
1	1	1	0	30ms
1	1	1	1	32ms

D4 : FADEMOD Single/continuous switching

0 : Single fade-in/fade-out operation

1 : Fade-in/fade-out operation repeated

D5 : FADEIO Fade-in/fade-out switching

0 : Fade in

1 : Fade out

D6 : FADEGO Fade-in/fade-out start

0 : Standby

1 : Fade-in/fade-out operation start

D7 : FADEEN Fade-in/fade-out enable

0 : Disable

1 : Enable

* The interrupt flag is set high after a fade operation has completed. Manual clearing is required.

* All LEDs are turned off if FADEEN is set to 1 when FADEIO is set to 0.

If GO is set to 1 in that state, fade-in operation starts and LEDs are turned on.

LV5230BG

address : 07h ROWSW

07h ROWSW	D7	D6	D5	D4	D3	D2	D1	D0
Register name	ROWSWEN	ROWSW7	ROWSW6	ROWSW5	ROWSW4	ROWSW3	ROWSW2	ROWSW1
R/W	W	W	W	W	W	W	W	W
Default	0	0	0	0	0	0	0	0

D0 : ROWSW1 Row 1 display ON/OFF

0 : ON
1 : OFF

D1 : ROWSW2 Row 2 display ON/OFF

0 : ON
1 : OFF

D2 : ROWSW3 Row 3 display ON/OFF

0 : ON
1 : OFF

D3 : ROWSW4 Row 4 display ON/OFF

0 : ON
1 : OFF

D4 : ROWSW5 Row 5 display ON/OFF

0 : ON
1 : OFF

D5 : ROWSW6 Row 6 display ON/OFF

0 : ON
1 : OFF

D6 : ROWSW7 Row 7 display ON/OFF

0 : ON
1 : OFF

D7 : ROWSWEN Each row ON/OFF enable

0 : Disable
1 : Enable

LV5230BG

address : 08h COLSW1

08h COLSW1	D7	D6	D5	D4	D3	D2	D1	D0
Register name	COLSWEN	-	-	-	-	-	-	COLSW17
R/W	W							W
Default	0							0

D0 : COLSW17 Row 17 display ON/OFF

0 : ON
1 : OFF

D7 : COLSWEN Column ON/OFF enable

0 : Disable
1 : Enable

address : 09h COLSW2

09h COLSW2	D7	D6	D5	D4	D3	D2	D1	D0
Register name	COLSW16	COLSW15	COLSW14	COLSW13	COLSW12	COLSW11	COLSW10	COLSW9
R/W	W	W	W	W	W	W	W	W
Default	0	0	0	0	0	0	0	0

D0 : COLSW9 Column 9 display ON/OFF

0 : ON
1 : OFF

D1 : COLSW10 Column 10 display ON/OFF

0 : ON
1 : OFF

D2 : COLSW11 Column 11 display ON/OFF

0 : ON
1 : OFF

D3 : COLSW12 Column 12 display ON/OFF

0 : ON
1 : OFF

D4 : COLSW13 Column 13 display ON/OFF

0 : ON
1 : OFF

D5 : COLSW14 Column 14 display ON/OFF

0 : ON
1 : OFF

D6 : COLSW15 Column 15 display ON/OFF

0 : ON
1 : OFF

D7 : COLSW16 Column 16 display ON/OFF

0 : ON
1 : OFF

LV5230BG

address : 0Ah COLSW3

0Ah COLSW3	D7	D6	D5	D4	D3	D2	D1	D0
Register name	COLSW8	COLSW7	COLSW6	COLSW5	COLSW4	COLSW3	COLSW2	COLSW1
R/W	W	W	W	W	W	W	W	W
Default	0	0	0	0	0	0	0	0

D0 : COLSW1 Column 1 display ON/OFF

0 : ON
1 : OFF

D1 : COLSW2 Column 2 display ON/OFF

0 : ON
1 : OFF

D2 : COLSW3 Column 3 display ON/OFF

0 : ON
1 : OFF

D3 : COLSW4 Column 4 display ON/OFF

0 : ON
1 : OFF

D4 : COLSW5 Column 5 display ON/OFF

0 : ON
1 : OFF

D5 : COLSW6 Column 6 display ON/OFF

0 : ON
1 : OFF

D6 : COLSW7 Column 7 display ON/OFF

0 : ON
1 : OFF

D7 : COLSW8 Column 8 display ON/OFF

0 : ON
1 : OFF

LV5230BG

address : 0Bh DFCON1

0Bh DFCON1	D7	D6	D5	D4	D3	D2	D1	D0
Register name	DFEN	DFGO	-	-	DFDIR	DFNUM [2]	DFNUM [1]	DFNUM [0]
R/W	W	W			W	W	W	W
Default	0	0			0	0	0	0

D2 to D0 : DFNUM Number of palette to be faded to

0 : Invalid

1 to 7 : Correspond to PWMDUTY1 to PWMDUTY7.

D3 : DFDIR Fading direction

0 : Fade in

1 : Fade out

D6 : DFGO Fade start

0 : Standby

1 : Start

D7 : DFEN Fade enable

0 : Disable

1 : Enable

* The interrupt flag is set high after a fade operation has completed. Manual clearing is required.

address : 0Ch DFCON2

0Ch DFCON2	D7	D6	D5	D4	D3	D2	D1	D0
Register name	-	-	-	-	DFSP [3]	DFSP [2]	DFSP [1]	DFSP [0]
R/W					W	W	W	W
Default					0	0	0	0

D3 to D0 : DFSP Fading speed per grayscale

D3	D2	D1	D0	
0	0	0	0	2ms
0	0	0	1	4ms
0	0	1	0	6ms
0	0	1	1	8ms
0	1	0	0	10ms
0	1	0	1	12ms
0	1	1	0	14ms
0	1	1	1	16ms
1	0	0	0	18ms
1	0	0	1	20ms
1	0	1	0	22ms
1	0	1	1	24ms
1	1	0	0	26ms
1	1	0	1	28ms
1	1	1	0	30ms
1	1	1	1	32ms

LV5230BG

address : 0Dh MAXDUTY

0Dh MAXDUTY	D7	D6	D5	D4	D3	D2	D1	D0
Register name	-	-	MXDTY [5]	MXDTY [4]	MXDTY [3]	MXDTY [2]	MXDTY [1]	MXDTY [0]
R/W			W	W	W	W	W	W
Default			0	0	0	0	0	0

D5 to D0 : MXDTY Maximum DUTY value

n : 0 to 63 Maximum DUTY value $(n/64) \times 100[\%]$

* 100[%] when n = 63.

address : 10h PWMDUTY1

10h PWMDUTY1	D7	D6	D5	D4	D3	D2	D1	D0
Register name	-	-	DUTY1 [5]	DUTY1 [4]	DUTY1 [3]	DUTY1 [2]	DUTY1 [1]	DUTY1 [0]
R/W			W	W	W	W	W	W
Default			0	0	0	0	0	0

D5 to D0 : DUTY1 DUTY value for brightness 1 setting

n : 0 to 63 DUTY value $((n + 1)/64) \times 100 [\%]$

* 0 [%] when n = 0.

address : 11h PWMDUTY2

11h PWMDUTY2	D7	D6	D5	D4	D3	D2	D1	D0
Register name	-	-	DUTY2 [5]	DUTY2 [4]	DUTY2 [3]	DUTY2 [2]	DUTY2 [1]	DUTY2 [0]
R/W			W	W	W	W	W	W
Default			0	0	0	0	0	0

D5 to D0 : DUTY2 DUTY value for brightness 2 setting

n : 0 to 63 DUTY value $((n + 1)/64) \times 100 [\%]$

* 0 [%] when n = 0.

address : 12h PWMDUTY3

12h PWMDUTY3	D7	D6	D5	D4	D3	D2	D1	D0
Register name	-	-	DUTY3 [5]	DUTY3 [4]	DUTY3 [3]	DUTY3 [2]	DUTY3 [1]	DUTY3 [0]
R/W			W	W	W	W	W	W
Default			0	0	0	0	0	0

D5 to D0 : DUTY3 DUTY value for brightness 3 setting

n : 0 to 63 DUTY value $((n + 1)/64) \times 100 [\%]$

* 0 [%] when n = 0.

address : 13h PWMDUTY4

13h PWMDUTY4	D7	D6	D5	D4	D3	D2	D1	D0
Register name	-	-	DUTY4 [5]	DUTY4 [4]	DUTY4 [3]	DUTY4 [2]	DUTY4 [1]	DUTY4 [0]
R/W			W	W	W	W	W	W
Default			0	0	0	0	0	0

D5 to D0 : DUTY4 DUTY value for brightness 4 setting

n : 0 to 63 DUTY value $((n + 1)/64) \times 100 [\%]$

* 0 [%] when n = 0.

LV5230BG

address : 14h PWMDUTY5

14h PWMDUTY5	D7	D6	D5	D4	D3	D2	D1	D0
Register name	-	-	DUTY5 [5]	DUTY5 [4]	DUTY5 [3]	DUTY5 [2]	DUTY5 [1]	DUTY5 [0]
R/W			W	W	W	W	W	W
Default			0	0	0	0	0	0

D5 to D0 : DUTY5 DUTY factor value for brightness 5 setting

n : 0 to 63 DUTY value $((n + 1)/64) \times 100$ [%]

* 0 [%] when n = 0.

address : 15h PWMDUTY6

15h PWMDUTY6	D7	D6	D5	D4	D3	D2	D1	D0
Register name	-	-	DUTY6 [5]	DUTY6 [4]	DUTY6 [3]	DUTY6 [2]	DUTY6 [1]	DUTY6 [0]
R/W			W	W	W	W	W	W
Default			0	0	0	0	0	0

D5 to D0 : DUTY6 DUTY factor value for brightness 6 setting

n : 0 to 63 DUTY value $((n + 1)/64) \times 100$ [%]

* 0 [%] when n = 0.

address : 16h PWMDUTY7

16h PWMDUTY7	D7	D6	D5	D4	D3	D2	D1	D0
Register name	-	-	DUTY7 [5]	DUTY7 [4]	DUTY7 [3]	DUTY7 [2]	DUTY7 [1]	DUTY7 [0]
R/W			W	W	W	W	W	W
Default			0	0	0	0	0	0

D5 to D0 : DUTY7 DUTY factor value for brightness 7 setting

n : 0 to 63 DUTY value $((n + 1)/64) \times 100$ [%]

* 0 [%] when n = 0.

LV5230BG

address : 20h to 9Dh FRAMEDATA

20h to 9Dh FRAMEDATA	D7	D6	D5	D4	D3	D2	D1	D0
Register name	BRn	LMn [2]	LMn [1]	LMn [0]	BRm	LMm [2]	LMm [1]	LMm [0]
R/W	W	W	W	W	W	W	W	W
Default	0	0	0	0	0	0	0	0

D2 to D0 : LM11m Frame 1 : vertical 1st : horizontal (n + 1) th LED brightness

D2	D1	D0	
0	0	0	Off
0	0	1	On at brightness set by PWMDUTY1 register
0	1	0	On at brightness set by PWMDUTY2 register
0	1	1	On at brightness set by PWMDUTY3 register
1	0	0	On at brightness set by PWMDUTY4 register
1	0	1	On at brightness set by PWMDUTY5 register
1	1	0	On at brightness set by PWMDUTY6 register
1	1	1	On at brightness set by PWMDUTY7 register

D3 : BR11m Frame 1 : vertical 1: horizontal (n + 1) th LED flashing/brightness inversion enable

0 : Flashing/brightness inversion disabled

1 : Flashing/brightness inversion enabled

D6 to D4 : LM11n Frame 1 : vertical 1 : horizontal (n) th LED brightness

D2	D1	D0	
0	0	0	Off
0	0	1	On at brightness set by PWMDUTY1 register
0	1	0	On at brightness set by PWMDUTY2 register
0	1	1	On at brightness set by PWMDUTY3 register
1	0	0	On at brightness set by PWMDUTY4 register
1	0	1	On at brightness set by PWMDUTY5 register
1	1	0	On at brightness set by PWMDUTY6 register
1	1	1	On at brightness set by PWMDUTY7 register

D7 : BR11n Frame 1 : vertical 1 : horizontal (n) th LED flashing/brightness inversion enable

0 : Flashing/brightness inversion disabled

1 : Flashing/brightness inversion enabled

* These are used for each LED data. One register is loaded with two LEDs data.

See the table on the following page for the storage address of each dot.

LV5230BG

Frame Data Register Tables xxH : higher-order 4 bits of register xx xxL : lower-order 4 bits of register xx

17 × 7 mode

Frame 1

	1	2	3	4	5	6	7	8	9	10	11	12	13	14	15	16	17
1	20H	20L	21H	21L	22H	22L	23H	23L	24H	24L	25H	25L	26H	26L	27H	27L	28H
2	29H	29L	2AH	2AL	2BH	2BL	2CH	2CL	2DH	2DL	2EH	2EL	2FH	2FL	30H	30L	31H
3	32H	32L	33H	33L	34H	34L	35H	35L	36H	36L	37H	37L	38H	38L	39H	39L	3AH
4	3BH	3BL	3CH	3CL	3DH	3DL	3EH	3EL	3FH	3FL	40H	40L	41H	41L	42H	42L	43H
5	44H	44L	45H	45L	46H	46L	47H	47L	48H	48L	49H	49L	4AH	4AL	4BH	4BL	4CH
6	4DH	4DL	4EH	4EL	4FH	4FL	50H	50L	51H	51L	52H	52L	53H	53L	54H	54L	55H
7	56H	56L	57H	57L	58H	58L	59H	59L	5AH	5AL	5BH	5BL	5CH	5CL	5DH	5DL	5EH

Frame 2

	1	2	3	4	5	6	7	8	9	10	11	12	13	14	15	16	17
1	5FH	5FL	60H	60L	61H	61L	62H	62L	63H	63L	64H	64L	65H	65L	66H	66L	67H
2	68H	68L	69H	69L	6AH	6AL	6BH	6BL	6CH	6CL	6DH	6DL	6EH	6EL	6FH	6FL	70H
3	71H	71L	72H	72L	73H	73L	74H	74L	75H	75L	76H	76L	77H	77L	78H	78L	79H
4	7AH	7AL	7BH	7BL	7CH	7CL	7DH	7DL	7EH	7EL	7FH	7FL	80H	80L	81H	81L	82H
5	83H	83L	84H	84L	85H	85L	86H	86L	87H	87L	88H	88L	89H	89L	8AH	8AL	8BH
6	8CH	8CL	8DH	8DL	8EH	8EL	8FH	8FL	90H	90L	91H	91L	92H	92L	93H	93L	94H
7	95H	95L	96H	96L	97H	97L	98H	98L	99H	99L	9AH	9AL	9BH	9BL	9CH	9CL	9DH

15 × 5 mode

Frame 1

	1	2	3	4	5	6	7	8	9	10	11	12	13	14	15
1	20H	20L	21H	21L	22H	22L	23H	23L	24H	24L	25H	25L	26H	26L	27H
2	29H	29L	2AH	2AL	2BH	2BL	2CH	2CL	2DH	2DL	2EH	2EL	2FH	2FL	30H
3	32H	32L	33H	33L	34H	34L	35H	35L	36H	36L	37H	37L	38H	38L	39H
4	3BH	3BL	3CH	3CL	3DH	3DL	3EH	3EL	3FH	3FL	40H	40L	41H	41L	42H
5	44H	44L	45H	45L	46H	46L	47H	47L	48H	48L	49H	49L	4AH	4AL	4BH

Frame 2

	1	2	3	4	5	6	7	8	9	10	11	12	13	14	15
1	4DH	4DL	4EH	4EL	4FH	4FL	50H	50L	51H	51L	52H	52L	53H	53L	54H
2	56H	56L	57H	57L	58H	58L	59H	59L	5AH	5AL	5BH	5BL	5CH	5CL	5DH
3	5FH	5FL	60H	60L	61H	61L	62H	62L	63H	63L	64H	64L	65H	65L	66H
4	68H	68L	69H	69L	6AH	6AL	6BH	6BL	6CH	6CL	6DH	6DL	6EH	6EL	6FH
5	71H	71L	72H	72L	73H	73L	74H	74L	75H	75L	76H	76L	77H	77L	78H

LV5230BG

address : FFh STATUS

FFh STATUS	D7	D6	D5	D4	D3	D2	D1	D0
Register name	-	-	-	-	-	DFIF	FEDIF	SCRIF
R/W						R	R	R
Default	X	X	X	X	X			

D0 : SCRIF End of scroll interrupt occurrence flag

0 : No end of scroll interrupt has occurred.

1 : An end of scroll interrupt has occurred.

* The flag needs to be cleared manually (CTRL1.SCRLCLR).

D1 : FEDIF End of fade interrupt occurrence flag

0 : No end of fade interrupt has occurred.

1 : An end of fade interrupt has occurred.

* The flag needs to be cleared manually (CTRL1.FADECLR).

D2 : DFIF End of palette fade interrupt occurrence flag

0 : No end of palette fade interrupt has occurred.

1 : An end of palette fade interrupt has occurred.

* The flag needs to be cleared manually (CTRL1.DFCLR).

The OR of SCRIF, FEDIF and DFIF appear at the interrupt pin.

* The addresses used here are all dummy and not used in actual communications.

- SANYO Semiconductor Co.,Ltd. assumes no responsibility for equipment failures that result from using products at values that exceed, even momentarily, rated values (such as maximum ratings, operating condition ranges, or other parameters) listed in products specifications of any and all SANYO Semiconductor Co.,Ltd. products described or contained herein.
- SANYO Semiconductor Co.,Ltd. strives to supply high-quality high-reliability products, however, any and all semiconductor products fail or malfunction with some probability. It is possible that these probabilistic failures or malfunction could give rise to accidents or events that could endanger human lives, trouble that could give rise to smoke or fire, or accidents that could cause damage to other property. When designing equipment, adopt safety measures so that these kinds of accidents or events cannot occur. Such measures include but are not limited to protective circuits and error prevention circuits for safe design, redundant design, and structural design.
- In the event that any or all SANYO Semiconductor Co.,Ltd. products described or contained herein are controlled under any of applicable local export control laws and regulations, such products may require the export license from the authorities concerned in accordance with the above law.
- No part of this publication may be reproduced or transmitted in any form or by any means, electronic or mechanical, including photocopying and recording, or any information storage or retrieval system, or otherwise, without the prior written consent of SANYO Semiconductor Co.,Ltd.
- Any and all information described or contained herein are subject to change without notice due to product/technology improvement, etc. When designing equipment, refer to the "Delivery Specification" for the SANYO Semiconductor Co.,Ltd. product that you intend to use.
- Information (including circuit diagrams and circuit parameters) herein is for example only; it is not guaranteed for volume production.
- Upon using the technical information or products described herein, neither warranty nor license shall be granted with regard to intellectual property rights or any other rights of SANYO Semiconductor Co.,Ltd. or any third party. SANYO Semiconductor Co.,Ltd. shall not be liable for any claim or suits with regard to a third party's intellectual property rights which has resulted from the use of the technical information and products mentioned above.

This catalog provides information as of October, 2010. Specifications and information herein are subject to change without notice.