



**ON Semiconductor®**

<http://onsemi.com>

# LV5681P

Monolithic Linear IC

## Multi-Power Supply System IC for Car Audio Systems

### Overview

The LV5681P is a multi-power supply system IC that provides four regulator outputs and two high side switches as well as a number of protection functions including overcurrent protection, overvoltage protection and overheat protection. It is an optimal power supply IC for car audio and car entertainment systems and similar products.

### Features

- Four regulator output systems
  - For microcontroller: 5.7V output voltage, 200mA maximum output current
  - For CD drive: 7.0V output voltage, 1300mA maximum output current
  - For illumination: 8 to 12V output voltage (output can be set with external resistors), 300mA maximum output current
  - For audio systems: 8 to 9V output voltage (output voltage can be set with external resistors), 300mA maximum output current
- Two  $V_{CC}$ -linked high side switch systems
  - EXT: 350mA maximum output current, 0.5V voltage difference between input and output.
  - ANT: 300mA maximum output current, 0.5V voltage difference between input and output.
- Two  $V_{DD}$  5V-linked high side switch systems
  - SW5V: 200mA maximum output current, 0.2V voltage difference between input and output.
  - ACC (accessory voltage detection output): 100mA maximum output current, 0.2V voltage difference between input and output.
- Overcurrent protection function
- Overvoltage protection function, typ 21V (excluding  $V_{DD}$  5V output)
- Overheat protection function, typ 175°C
- On-chip accessory voltage detection circuit
- P-channel LDMOS used for power output block

### CAUTION)

The protection functions are provided in order to improve the ability of the ICs to withstand breakdown, and they are not intended to guarantee safety when used under conditions outside the safe operating area or rated operating conditions.

Use of the ICs under any conditions exceeding the safe operating area or above the  $I_{Omax}$ , and especially use in overcurrent protection areas or under conditions in which they are subject to thermal protection, may reduce their reliability and result in permanent breakdown.

# LV5681P

## Specifications

### Absolute Maximum Ratings at $T_a = 25^\circ\text{C}$

Parameter	Conditions	Conditions	Ratings	Unit	
Supply voltage	$V_{CC}$ max		36	V	
Peak supply voltage	$V_{CC}$ peak	See below for the waveform applied.	50	V	
Allowable Power dissipation	$P_d$ max	Independent IC	$T_a \leq 25^\circ\text{C}$	1.5	W
		Al heat sink *		5.6	W
		With an infinity heat sink		32.5	W
Junction temperature	$T_j$ max		150	$^\circ\text{C}$	
Operating ambient temperature	$T_{opr}$		-40 to +85	$^\circ\text{C}$	
Storage temperature	$T_{stg}$		-55 to +150	$^\circ\text{C}$	

\* : When the Aluminum heat sink (50mm × 50mm × 1.5mm) is used

Stresses exceeding Maximum Ratings may damage the device. Maximum Ratings are stress ratings only. Functional operation above the Recommended Operating Conditions is not implied. Extended exposure to stresses above the Recommended Operating Conditions may affect device reliability.

### Allowable Operating range at $T_a = 25^\circ\text{C}$

Parameter	Conditions	Ratings	Unit
Operating supply voltage 1	$V_{DD}$ output, SW output, ACC output	7.5 to 16	V
Operating supply voltage 2	ILM output at 10V	12 to 16	V
	ILM output at 8V	10 to 16	V
Operating supply voltage 3	Audio output at 9V	10 to 16	V
Operating supply voltage 4	CD output (CD output current = 1.3A)	10.5 to 16	V
	CD output (CD output current $\leq$ 1A)	10 to 16	V

### Electrical Characteristics at $T_a = 25^\circ\text{C}$ , $V_{CC} = 14.4\text{V}$

\*: All the specifications are defined based on the tests that  $T_j$  is almost equal to  $T_a$  ( $=25^\circ\text{C}$ ). To suppress the rise of  $T_j$  in the junction temperature as much as possible, it tests by the pulse loading.

Parameter	Symbol	Conditions	Ratings			Unit
			min	typ	max	
Current drain	$I_{CC}$	$V_{DD}$ no load, CTRL1/2 = [L/L], ACC = 0V		400	800	$\mu\text{A}$
<b>CTRL1 Input</b>						
Low input voltage	$V_{IL1}$		0		0.4	V
M1 input voltage	$V_{IM1}$		0.8	1.1	1.4	V
M2 input voltage	$V_{IM2}$		1.9	2.2	2.5	V
High input voltage	$V_{IH1}$		2.9	3.3	5.5	V
Input impedance	$R_{IH1}$		350	500	650	$\text{k}\Omega$
<b>CTRL2 Input</b>						
Low input voltage	$V_{IL2}$		0		0.5	V
M input voltage	$V_{IM2}$		1.1	1.65	2.1	V
High input voltage	$V_{IH2}$		2.5	3.3	5.5	V
Input impedance	$R_{IH2}$		350	500	650	$\text{k}\Omega$
<b><math>V_{DD}</math> 5.7V Output *1</b> <span style="float: right;"><b>The <math>V_{DD}</math> 5.7V output supplies the output currents of SW 5.7V and ACC 5.7V.</b></span>						
Output voltage 1	$V_{O1}$	$I_{O1} = 200\text{mA}$ , $I_{O7}$ , $I_{O8} = 0\text{A}$	5.4	5.7	6.0	V
Output voltage 2	$V_{O1}'$	$I_{O1} = 200\text{mA}$ , $I_{O7} = 200\text{mA}$ , $I_{O8} = 100\text{mA}$	5.4	5.7	6.0	V
Output total current	$I_{to1}$	$V_{O1} \geq 5.4\text{V}$ , $I_{to1} = I_{O1} + I_{O7} + I_{O8}$	500			mA
Line regulation	$\Delta V_{OLN1}$	$7.5\text{V} < V_{CC} < 16\text{V}$ , $I_{O1} = 200\text{mA}$ *2		30	90	mV
Load regulation	$\Delta V_{OLD1}$	$1\text{mA} < I_{O1} < 200\text{mA}$ *2		70	150	mV
Dropout voltage 1	$V_{DROP1}$	$I_{O1} = 200\text{mA}$ *2		1.0	1.5	V
Dropout voltage 2	$V_{DROP1}'$	$I_{O1} = 100\text{mA}$ *2		0.7	1.05	V
Dropout voltage 3	$V_{DROP1}''$	$I_{O1} + I_{O7} + I_{O8} = 500\text{mA}$		2.5	3.75	V
Ripple rejection	$R_{REJ1}$	$f = 120\text{Hz}$ , $I_{O1} = 200\text{mA}$ *2	40	50		dB
<b>CD Output ; CTRL2 = [H]</b>						
Output voltage	$V_{O2}$	$I_{O2} = 1000\text{mA}$	6.65	7.0	7.35	V

\*1 : The  $V_{DD}$  5.7V output also supplies the output currents of SW 5.7V and ACC 5.7V. Therefore, the current supply capability of the  $V_{DD}$  5.7V output and its other electrical characteristics are affected by the output statuses of SW 5.7V and ACC 5.7V.

\*2 : SW 5V and ACC 5.7V are not subject to a load.

Continued on next page.

# LV5681P

Continued from preceding page.

Parameter	Symbol	Conditions	Ratings			Unit
			min	typ	max	
Output current	$I_{O2}$	$V_{O2} \geq 6.65V$	1300			mA
Line regulation	$\Delta V_{OLN2}$	$10.5V < V_{CC} < 16V, I_{O2} = 1000mA$		50	100	mV
Load regulation	$\Delta V_{OLD2}$	$10mA < I_{O2} < 1000mA$		100	200	mV
Dropout voltage 1	$V_{DROP2}$	$I_{O2} = 1000mA$		1.0	1.5	V
Dropout voltage 2	$V_{DROP2}'$	$I_{O2} = 500mA$		0.5	0.75	V
Ripple rejection	$R_{REJ2}$	$f = 120Hz, I_{O2} = 1000mA$	40	50		dB
<b>AUDIO (8-9V) Output ; CTRL2 = [M]</b>						
AUDIO_F pin voltage	$V_{I3}$		1.222	1.260	1.298	V
AUDIO_F pin inflow current	$I_{IN3}$		-1		1	$\mu A$
AUDIO output voltage 1	$V_{O3}$	$I_{O3} = 200mA, R2 = 30k\Omega, R3 = 5.6k\Omega *3$	7.65	8.0	8.35	V
AUDIO output voltage 2	$V_{O3}'$	$I_{O3}' = 200mA, R2 = 27k\Omega, R3 = 4.7k\Omega *3$	8.13	8.5	8.87	V
AUDIO output voltage 3	$V_{O3}''$	$I_{O3}'' = 200mA, R2 = 24k\Omega, R3 = 3.9k\Omega *3$	8.6	9.0	9.4	V
AUDIO output current	$I_{O3}$		300			mA
Line regulation	$\Delta V_{OLN3}$	$10V < V_{CC} < 16V, I_{O3} = 200mA$		30	90	mV
Load regulation	$\Delta V_{OLD3}$	$1mA < I_{O3} < 200mA$		70	150	mV
Dropout voltage 1	$V_{DROP3}$	$I_{O3} = 200mA$		0.3	0.45	V
Dropout voltage 2	$V_{DROP3}'$	$I_{O3} = 100mA$		0.15	0.23	V
Ripple rejection	$R_{REJ3}$	$f = 120Hz, I_{O3} = 200mA$	40	50		dB
<b>ILM (8-12V) Output ; CTRL1 = [M1]</b>						
ILM_F pin voltage	$V_{I4}$		1.222	1.260	1.298	V
ILM output voltage 1	$V_{O4}$	$I_{O4} = 200mA, R2 = 30k\Omega, R3 = 5.6k\Omega *3$	7.65	8.0	8.35	V
ILM output voltage 2	$V_{O4}'$	$I_{O4}' = 200mA, R2 = 27k\Omega, R3 = 3.9k\Omega *3$	9.55	10.0	10.45	V
ILM output voltage 3	$V_{O4}''$	$I_{O4}'' = 200mA, R2 = 33k\Omega, R3 = 3.9k\Omega *3$	11.36	11.9	12.44	V
ILM output current	$I_{O4}$		300			mA
Line regulation	$\Delta V_{OLN4}$	$12V < V_{CC} < 16V, I_{O4} = 200mA$		30	90	mV
Load regulation	$\Delta V_{OLD4}$	$1mA < I_{O4} < 200mA$		70	150	mV
Dropout voltage 1	$V_{DROP4}$	$I_{O4} = 200mA$		0.7	1.05	V
Dropout voltage 2	$V_{DROP4}'$	$I_{O4} = 100mA$		0.35	0.53	V
Ripple rejection	$R_{REJ4}$	$f = 120Hz, I_{O4} = 200mA$	40	50		dB
<b>Remoto (EXT) ; CTRL1 = [M2]</b>						
Output voltage	$V_{O5}$	$I_{O5} = 350mA$	$V_{CC}-1.0$	$V_{CC}-0.5$		V
Output current	$I_{O5}$	$V_{O5} \geq V_{CC}-1.0$	350			mA
<b>ANT remoto ; CTRL1 = [H]</b>						
Output voltage	$V_{O6}$	$I_{O6} = 300mA$	$V_{CC}-1.0$	$V_{CC}-0.5$		V
Output current	$I_{O6}$	$V_{O6} \geq V_{CC}-1.0$	300			mA
<b>SW 5V Output ; CTRL2 = [M]</b>						
Output voltage 1	$V_{O7}$	$I_{O7} = 1mA, I_{O1}, I_{O8} = 0A *4$	$V_{O1}-0.25$	$V_{O1}$		V
Output voltage 2	$V_{O7}'$	$I_{O7} = 200mA, I_{O1}, I_{O8} = 0A *4$	$V_{O1}-0.45$	$V_{O1}-0.2$		V
Output current	$I_{O7}$	$V_{O7} \geq 4.55$	200			mA
<b>ACC Detection ; ACC Integration 5V output</b>						
ACC detection voltage	$V_{TH8}$		2.75	3.0	3.25	V
Hysteresis width	$V_{HIS8}$		0.2	0.3	0.4	V
Input impedance	$Z_{I8}$	(Pull-down resistance internal)	42	60	78	$k\Omega$
ACC output voltage 1	$V_{O8}$	$I_{O8} = 0.5mA, I_{O1}, I_{O7} = 0A *4$	$V_{O1}-0.25$	$V_{O1}$		V
ACC output voltage 2	$V_{O8}'$	$I_{O8} = 100mA, I_{O1}, I_{O7} = 0A *4$	$V_{O1}-0.45$	$V_{O1}-0.2$		V
ACC output voltage	$I_{O8}$	$V_{O8} \geq 4.55$	100			mA

\*3 : When a component with a resistance accuracy of  $\pm 1\%$  is used

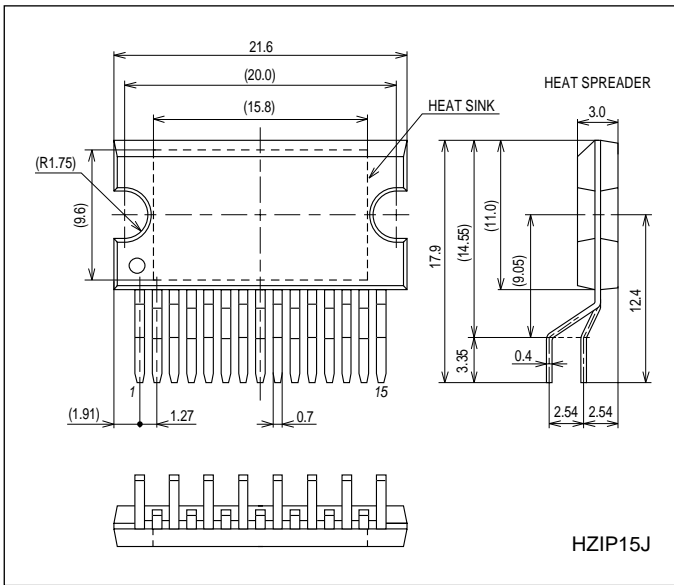
<Reference> When a component with a resistance accuracy of  $\pm 0.5\%$  is used,  $V_{O3}''$  is  $8.67V \leq 9.0V \leq 9.33V$ .

\*4 : Since the SW 5.7V and ACC 5.7V are output from  $V_{DD}$  5.7V through the SW, the voltage drops by an amount equivalent to the ON resistance of the SW.

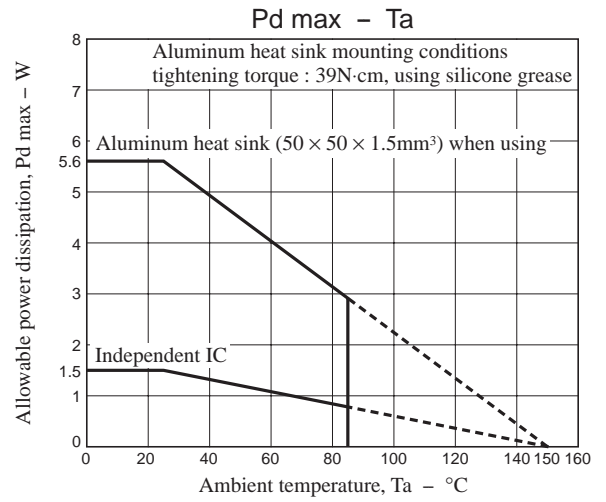
# LV5681P

## Package Dimensions

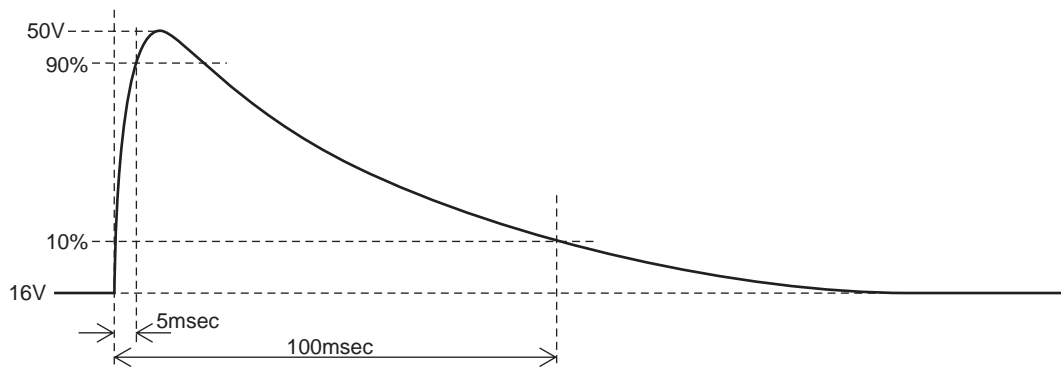
unit : mm (typ)  
3395



### • Allowable power dissipation derating curve

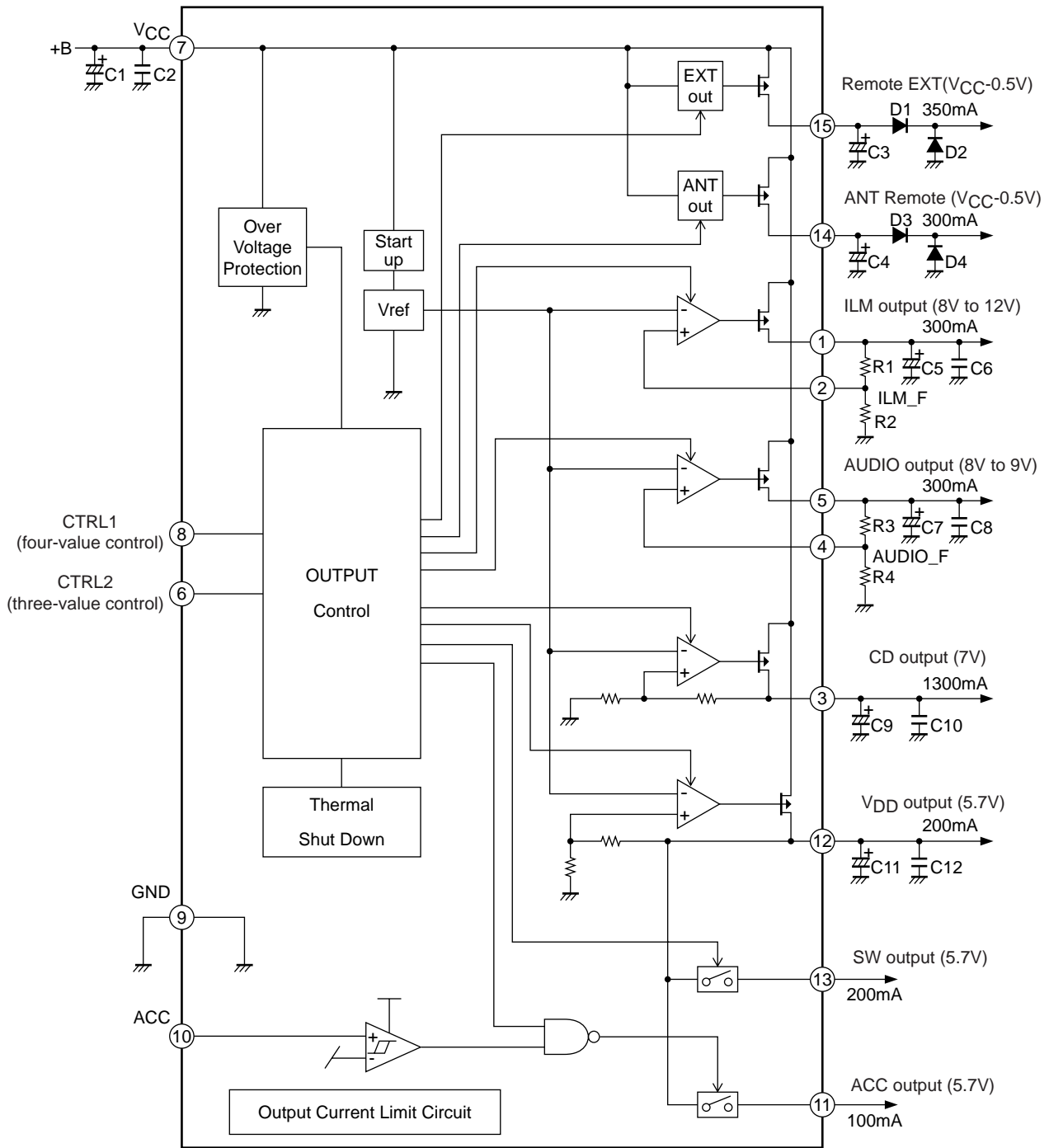


### • Waveform applied during surge test



# LV5681P

## Block Diagram



## Pin Function

Pin No.	Pin name	Description	Equivalent Circuit
1	ILM	ILM output pin ON when CTRL1 = M1, M2, H 8.0 to 12.0V/300mA	
2	ILM_F	ILM output voltage adjustment pin	

Continued on next page.

# LV5681P

Continued from preceding page.

Pin No.	Pin name	Description	Equivalent Circuit
3	CD	CD output pin ON when CTRL2 = M, H 7.0V/1.3A	
4	AUDIO_F	AUDIO output voltage adjustment pin	
5	AUDIO	AUDIO output pin ON when CTRL2 = M, H 8.0 to 9.0V/300mA	
6	CTRL2	CTRL2 input pin three-value input	
7	VCC	Supply terminal	
8	CTRL1	CTRL1 input pin four-value input	
9	GND	GND pin	

Continued on next page.

# LV5681P

Continued from preceding page.

Pin No.	Pin name	Description	Equivalent Circuit
10	ACC	Accessory input	
11	ACC5V	Accessory detection output ON when ACC > 3V	
12	V <sub>DD</sub> 5V	V <sub>DD</sub> 5.7V output pin 5.7V/500mA	
13	SW5V	SW5.7V output pin ON when CTRL2 = M, H	
14	ANT	ANT output pin ON when CTRL1 = H V <sub>CC</sub> -0.5V/300mA	
15	EXT	EXT output pin ON when CTRL1 = M2, H V <sub>CC</sub> -0.5V/350mA	

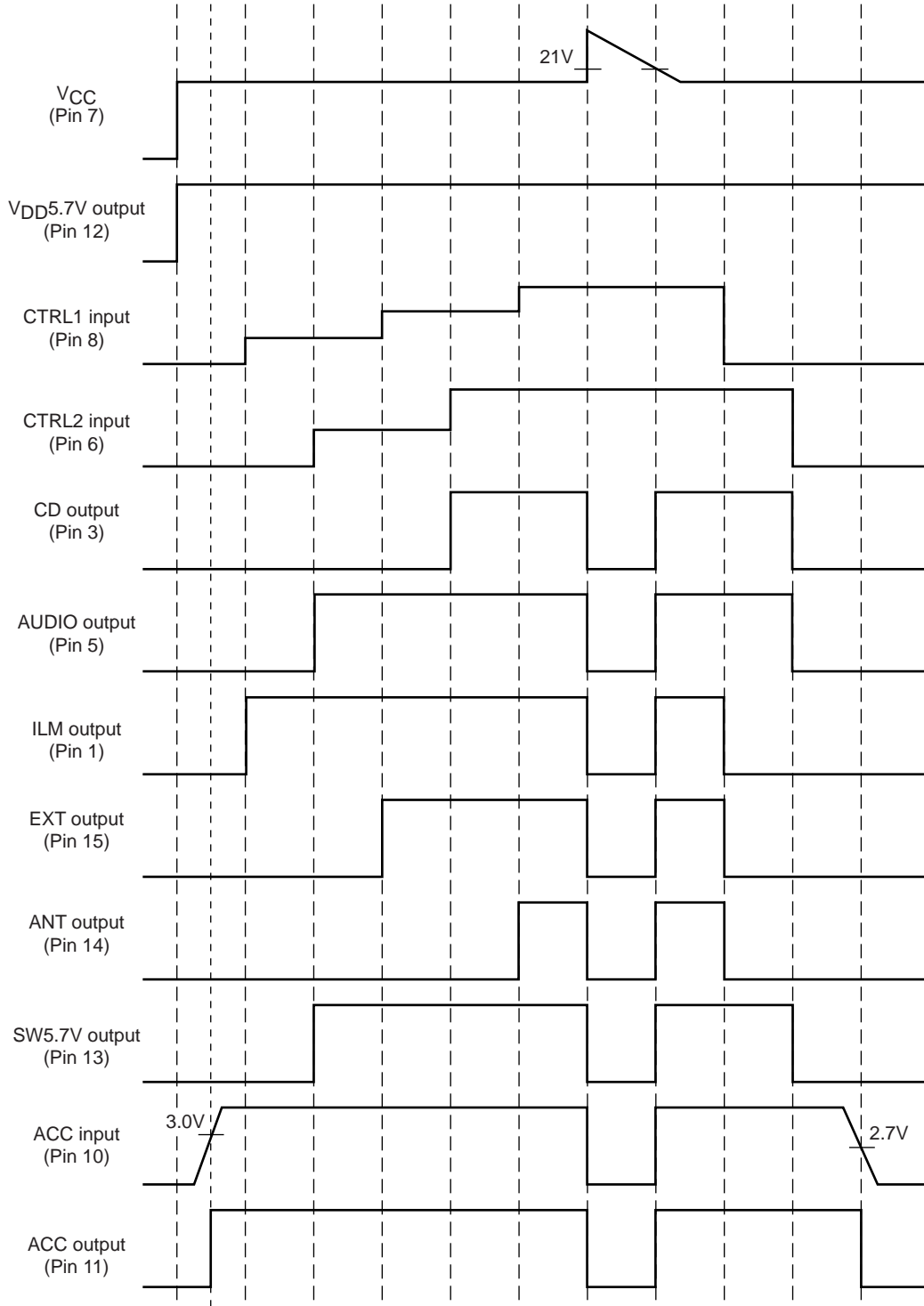
# LV5681P

**CTRL Pin Output Truth Table**

CTRL1	ANT	EXT	ILM
L	OFF	OFF	OFF
M1	OFF	OFF	ON
M2	OFF	ON	ON
H	ON	ON	ON

CTRL2	CD	AUDIO	SW5
L	OFF	OFF	OFF
M	OFF	ON	ON
H	ON	ON	ON

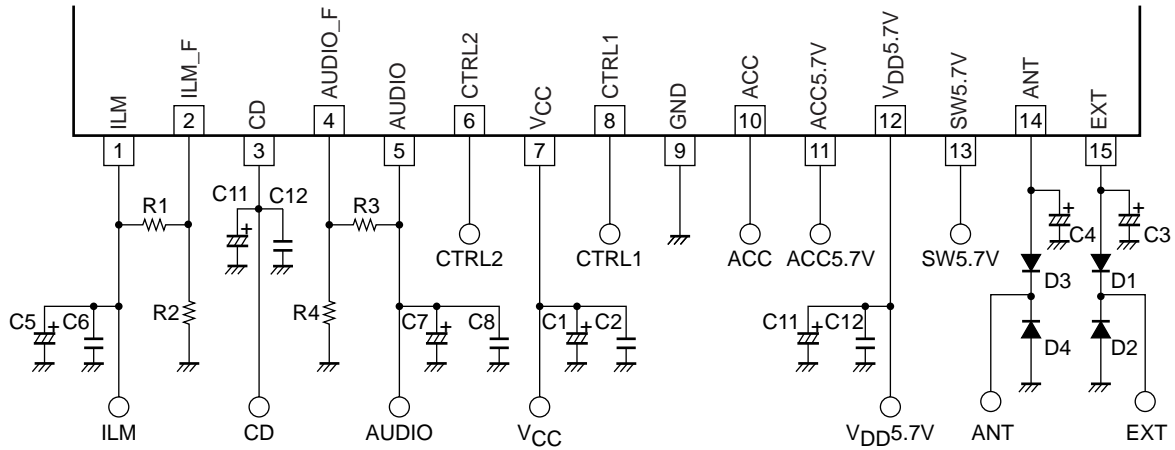
**Timing Chart**





# LV5681P

## Recommended Operation Circuit



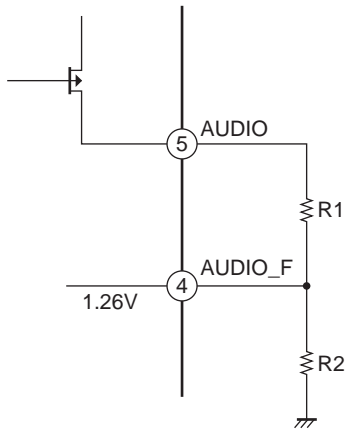
### Peripheral parts list

Name of part	Description	Recommended value	Remarks
C1	Power supply bypass capacitor	100 $\mu$ F or more	These capacitors must be placed near the V <sub>CC</sub> and GND pins.
C2	Oscillation prevention capacitor	0.22 $\mu$ F or more	
C3	EXT output stabilization capacitor	2.2 $\mu$ F or more	
C4	ANT output stabilization capacitor	2.2 $\mu$ F or more	
C5, C57 C9, C11	Output stabilization capacitor	4.7 $\mu$ F or more	Electrolytic capacitor *
C6, C8, C10, C12	Output stabilization capacitor	0.22 $\mu$ F or more	Ceramic capacitor *
R1,R2	Resistor for ILM voltage adjustment	R1/R2 :30k $\Omega$ /5.6k $\Omega$ = 8.0V :27k $\Omega$ /3.9k $\Omega$ = 10.0V :33k $\Omega$ /3.9k $\Omega$ = 11.9V	A resistor with resistance accuracy as low as less than $\pm 1\%$ must be used.
R3, R4	Resistor for AUDIO voltage setting	R3/R4 :30k $\Omega$ /5.6k $\Omega$ = 8.0V :27k $\Omega$ /4.7k $\Omega$ = 8.5V :24k $\Omega$ /3.9k $\Omega$ = 9.0V	A resistor with resistance accuracy as low as less than $\pm 1\%$ must be used.
D1, D2, D3, D4	Diode for internal device breakdown protection		

\* : In order to stabilize the regulator outputs, it is recommended that the electrolytic capacitor and ceramic capacitor be connected in parallel.

Furthermore, the values listed above do not guarantee stabilization during the overcurrent protection operations of the regulator, so oscillation may occur during an overcurrent protection operation.

• AUDIO/ILM output voltage setting method



The AUDIO\_F voltage is determined by the internal band gap voltage of the IC (typ = 1.26V).

Formula for AUDIO voltage calculation

$$AUDIO = \frac{1.26[V]}{R_2} \times R_1 + 1.26[V]$$

$$\frac{R_1}{R_2} = \frac{(AUDIO - 1.26)}{1.26}$$

The circuit must be designed in such a way that the R1:R2 ratio satisfies the formula given above for the AUDIO voltage that has been set.

Example : AUDIO = 8.5V setting method

$$\frac{R_1}{R_2} = \frac{(8.5 - 1.26)}{1.26} \cong 5.75$$

$$\frac{R_1}{R_2} = \frac{27k\Omega}{4.7k\Omega} \cong 5.74$$

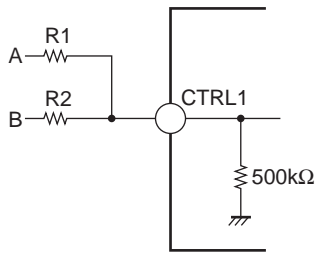
$$AUDIO = 1.26V \times 5.74 + 1.26V \cong \boxed{8.49V}$$

The ILM output voltage can be set by the above-mentioned method.

Note : In the above, the typical values are given in all instances for the values used and, as such, they will vary due to the effects of production-related variations of the IC and external resistors.

# LV5681P

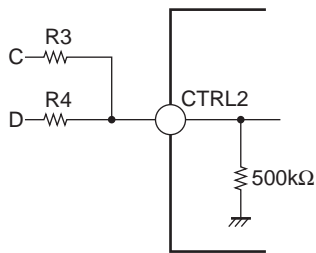
## • CTRL1 Application Circuit Example



(1) 3.3V input:  $R1 = 4.7k\Omega$ ,  $R2 = 10k\Omega$

A	B	CTRL1
0V	0V	0V
0V	3.3V	1.05V
3.3V	0V	2.23V
3.3V	3.3V	3.20V

## • CTRL2 Application Circuit Example



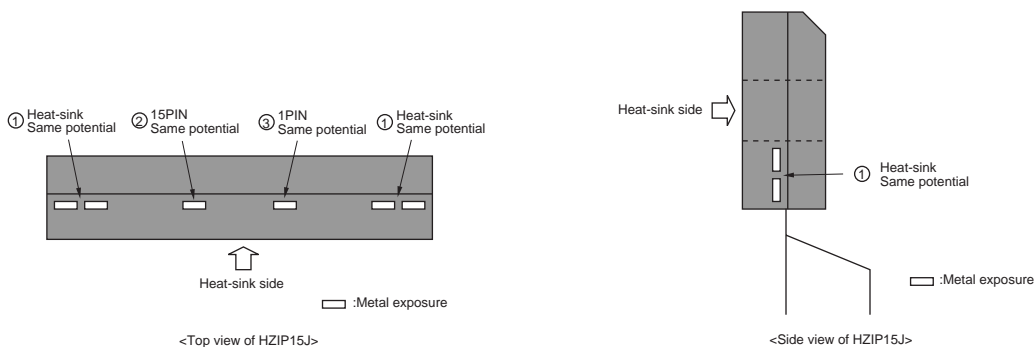
(1) 3.3V input:  $R3 = R4 = 4.7k\Omega$

A	B	CTRL2
0V	0V	0V
0V	3.3V	1.61V
3.3V	0V	1.61V
3.3V	3.3V	3.29V

## Caution for implementing LV5681P to a system board

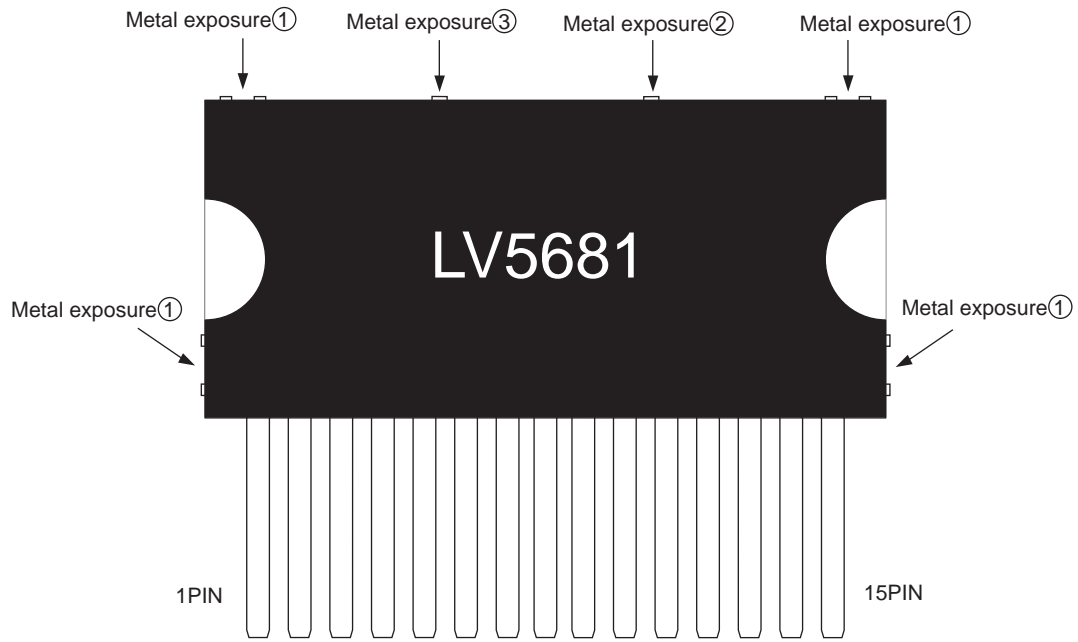
In HZIP15J, the package used in this IC, there are several metal exposure other than the connection pins and heat-sinks as shown in the following diagrams. In the diagrams, the electric potential of 2 and 3 are the same as Pin15 and Pin1, respectively. 2 (=Pin15) is EXT pin and 3 (=Pin1) is ILM output (regulator). When the IC is implemented to the system, make sure that no attachment clamp touches the exposed Pin1/ Pin15. When the exposed Pin1/ Pin15 touch the attachment clamp (same electrical potential as GND), ILM output or VCC enter the same state as time when GND was shorted. The electric potential of the exposed metal connected to heat-sinks 1 is the same as that of sub board of the IC (GND). Therefore, even if the exposed metal and GND of the system board are adjacent to each other, there should be no problem.

## • HZIP15J external view



# LV5681P

- Frame diagram (LV5681P) \*In the system power supply other than LV5681P, pin assignment may differ.



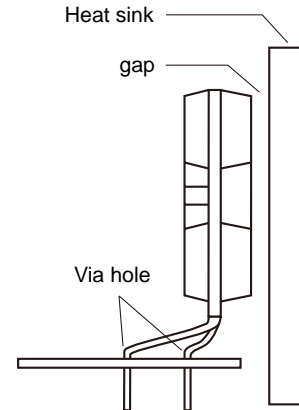
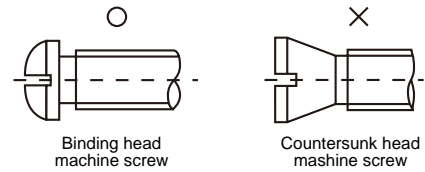
HZIP15J Heat sink attachment

Heat sinks are used to lower the semiconductor device junction temperature by leading the heat generated by the device to the outer environment and dissipating that heat.

- a. Unless otherwise specified, for power ICs with tabs and power ICs with attached heat sinks, solder must not be applied to the heat sink or tabs.

b. Heat sink attachment

- Use flat-head screws to attach heat sinks.
- Use also washer to protect the package.
- Use tightening torques in the ranges 39-59Ncm(4-6kgcm) .
- If tapping screws are used, do not use screws with a diameter larger than the holes in the semiconductor device itself.
- Do not make gap, dust, or other contaminants to get between the semiconductor device and the tab or heat sink.
- Take care a position of via hole .
- Do not allow dirt, dust, or other contaminants to get between the semiconductor device and the tab or heat sink.
- Verify that there are no press burrs or screw-hole burrs on the heat sink.
- Warping in heat sinks and printed circuit boards must be no more than 0.05 mm between screw holes, for either concave or convex warping.
- Twisting must be limited to under 0.05 mm.
- Heat sink and semiconductor device are mounted in parallel.  
Take care of electric or compressed air drivers
- The speed of these torque wrenches should never exceed 700 rpm, and should typically be about 400 rpm.



c. Silicone grease

- Spread the silicone grease evenly when mounting heat sinks.
- Our company recommends YG-6260 (Momentive Performance Materials Japan LLC)

d. Mount

- First mount the heat sink on the semiconductor device, and then mount that assembly on the printed circuit board.
- When attaching a heat sink after mounting a semiconductor device into the printed circuit board, when tightening up a heat sink with the screw, the mechanical stress which is impossible to the semiconductor device and the pin doesn't hang.

e. When mounting the semiconductor device to the heat sink using jigs, etc.,

- Take care not to allow the device to ride onto the jig or positioning dowel.
- Design the jig so that no unreasonable mechanical stress is not applied to the semiconductor device.

f. Heat sink screw holes

- Be sure that chamfering and shear drop of heat sinks must not be larger than the diameter of screw head used.
- When using nuts, do not make the heat sink hole diameters larger than the diameter of the head of the screws used. A hole diameter about 15% larger than the diameter of the screw is desirable.
- When tap screws are used, be sure that the diameter of the holes in the heat sink are not too small. A diameter about 15% smaller than the diameter of the screw is desirable.

- g. There is a method to mount the semiconductor device to the heat sink by using a spring band. But this method is not recommended because of possible displacement due to fluctuation of the spring force with time or vibration.

ON Semiconductor and the ON logo are registered trademarks of Semiconductor Components Industries, LLC (SCILLC). SCILLC owns the rights to a number of patents, trademarks, copyrights, trade secrets, and other intellectual property. A listing of SCILLC's product/patent coverage may be accessed at [www.onsemi.com/site/pdf/Patent-Marking.pdf](http://www.onsemi.com/site/pdf/Patent-Marking.pdf). SCILLC reserves the right to make changes without further notice to any products herein. SCILLC makes no warranty, representation or guarantee regarding the suitability of its products for any particular purpose, nor does SCILLC assume any liability arising out of the application or use of any product or circuit, and specifically disclaims any and all liability, including without limitation special, consequential or incidental damages. "Typical" parameters which may be provided in SCILLC data sheets and/or specifications can and do vary in different applications and actual performance may vary over time. All operating parameters, including "Typicals" must be validated for each customer application by customer's technical experts. SCILLC does not convey any license under its patent rights nor the rights of others. SCILLC products are not designed, intended, or authorized for use as components in systems intended for surgical implant into the body, or other applications intended to support or sustain life, or for any other application in which the failure of the SCILLC product could create a situation where personal injury or death may occur. Should Buyer purchase or use SCILLC products for any such unintended or unauthorized application, Buyer shall indemnify and hold SCILLC and its officers, employees, subsidiaries, affiliates, and distributors harmless against all claims, costs, damages, and expenses, and reasonable attorney fees arising out of, directly or indirectly, any claim of personal injury or death associated with such unintended or unauthorized use, even if such claim alleges that SCILLC was negligent regarding the design or manufacture of the part. SCILLC is an Equal Opportunity/Affirmative Action Employer. This literature is subject to all applicable copyright laws and is not for resale in any manner.