



SANYO Semiconductors

DATA SHEET

An ON Semiconductor Company

LV5684PVD — Bi-CMOS LSI For Car Audio Systems Multi-Power Supply IC

Overview

The LV5684PVD is a power supply IC suitable for USB/CD receiver system for car audio system.

This IC integrates 5 systems of regulator output, 2 systems of high side power switch, overcurrent protector, overvoltage protector and overheat protector

Supply for V_{DD} and SW33V outputs is low voltage specification, which enables drastic reduction of power dissipation compared to the existing model. (the package is HZIP15).

Features

- Low consumption current: 50μA (typ, only V_{DD} output is in operation)
- 5 systems of regulator output
 - V_{DD} for microcontroller: output voltage: 3.3V, maximum output current: 350mA reverse current protection implemented.
 - For system: output voltage: 3.3V, maximum output current: 450mA
 - For audio: output voltage: 5 to 9V (set by external resistors), maximum output current: 250mA
 - For illumination: output voltage: 5 to 12V (set by external resistors), maximum output current: 300mA
 - For CD: output voltage: 5V/8V, maximum output current: 1300mA
- 2 lines of high side switch with interlock V_{CC}
 - EXT: Maximum output current: 350mA, voltage difference between input and output: 0.5V
 - ANT: Maximum output current: 300mA, voltage difference between input and output: 0.5V
- Supply input
 - V_{6IN}: 6V for V_{DD}, system (SW33V)
 - V_{CC1}: For internal reference voltage, control circuits
 - In case of voltage drop of V_{6IN}, V_{CC1} supplies to V_{DD} output.
 - V_{CC2}: For AUDIO, illumination, CD, EXT/ANT
- Overcurrent protector
- Overvoltage protector(OVP): V_{CC1}, V_{CC2} Typ 23V (All outputs except V_{DD} are turned off)
- Overvoltage shutdown(OVS): V_{6IN} Typ 23V (All outputs except V_{DD} are turned off)
- Overheat protector: Typ 175°C

Continued on next page.

■ Any and all SANYO Semiconductor Co.,Ltd. products described or contained herein are, with regard to "standard application", intended for the use as general electronics equipment. The products mentioned herein shall not be intended for use for any "special application" (medical equipment whose purpose is to sustain life, aerospace instrument, nuclear control device, burning appliances, transportation machine, traffic signal system, safety equipment etc.) that shall require extremely high level of reliability and can directly threaten human lives in case of failure or malfunction of the product or may cause harm to human bodies, nor shall they grant any guarantee thereof. If you should intend to use our products for new introduction or other application different from current conditions on the usage of automotive device, communication device, office equipment, industrial equipment etc. , please consult with us about usage condition (temperature, operation time etc.) prior to the intended use. If there is no consultation or inquiry before the intended use, our customer shall be solely responsible for the use.

■ Specifications of any and all SANYO Semiconductor Co.,Ltd. products described or contained herein stipulate the performance, characteristics, and functions of the described products in the independent state, and are not guarantees of the performance, characteristics, and functions of the described products as mounted in the customer's products or equipment. To verify symptoms and states that cannot be evaluated in an independent device, the customer should always evaluate and test devices mounted in the customer's products or equipment.

SANYO Semiconductor Co., Ltd.

<http://www.sanyosemi.com/en/network/>

LV5684PVD

Continued from preceding page.

- PchLDMOS is used in power output block

(Warning) The protector functions only improve the IC's tolerance and they do not guarantee the safety of the IC if used under the conditions out of safety range or ratings. Use of the IC such as use under overcurrent protection range, thermal shutdown state or V6IN OVS condition may degrade the IC's reliability and eventually damage the IC.

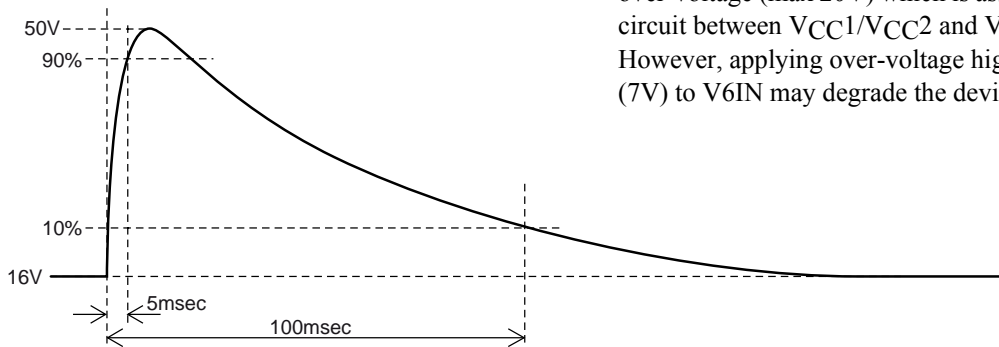
Specifications

Absolute Maximum Ratings at Ta = 25°C

Parameter	Conditions	Conditions	Ratings	Unit	
Supply voltage	V _{CC} max	V _{CC1} , V _{CC2}	36	V	
	V6IN max	V6IN (*)	7	V	
Input voltage	V _{IN} max	CTRL1, CTRL2	7	V	
Allowable power dissipation	Pd max	Independent IC	Ta ≤ 25°C	1.3	W
		Al heat sink *		5.3	W
		With an infinity heat sink		26	W
Peak supply voltage	V _{CC} peak	See below for the waveform applied.	50	V	
Operating ambient temperature	T _{opr}		-40 to +85	°C	
Storage temperature	T _{stg}		-55 to +150	°C	
Junction temperature	T _j max		150	°C	

* : When the Aluminum heat sink (50mm × 50mm × 1.5mm) is used

Waveform of surge test (V_{CC1}, V_{CC2})



*V6IN is designed to tolerant toward short period of over-voltage (max 20V) which is assumed in condition of short circuit between V_{CC1}/V_{CC2} and V6IN. However, applying over-voltage higher than maximum rating (7V) to V6IN may degrade the device reliability

Recommended Operating range at Ta = 25°C

V_{CC1}

Parameter	Conditions	Ratings	Unit
Operating supply voltage 1	V _{DD} output	7 to 16	V

V_{CC2}

Parameter	Conditions	Ratings	Unit
Operating supply voltage 2	ILM output (10V)	12 to 16	V
	ILM output (8V)	10 to 16	V
Operating supply voltage 3	AUDIO output (9V)	10 to 16	V
Operating supply voltage 4	CD output (I _O = 1.3A)	10.5 to 16	V
	CD output (I _O ≤ 1A)	10 to 16	V
Operating supply voltage 5	EXT output, ANT output	10 to 16	V

V6IN

Parameter	Conditions	Ratings	Unit
Operating supply voltage 6	V _{DD} output, SW33V output	5.7 to 6.5	V

LV5684PVD

Electrical Characteristics at $V_{CC1} = V_{CC2} = 14.4V$, $V_{6IN} = 6V$ at $T_a = 25^\circ C$ (*1)

Parameter	Symbol	Conditions	Ratings			Unit
			min	typ	max	
Quiescent current	I_{CC}	V_{DD} w/out load, CTRL1/2 = "L/L"		50	100	μA
CTRL1 input (ANT/EXT/ILM)						
Low input voltage	V_{IL1}		0		0.5	V
M1 input voltage	V_{IM11}		0.8	1.1	1.4	V
M2 input voltage	V_{IM21}		1.9	2.2	2.5	V
High input voltage	V_{IH1}		2.9	3.3	5.5	V
Input impedance	R_{IH1}	input voltage $\leq 3.3V$	280	400	480	$k\Omega$
CTRL2 input (CD/AUDIO/SW33V)						
Low input voltage	V_{IL2}		0		0.5	V
M1 input voltage	V_{IM12}		0.8	1.1	1.4	V
M2 input voltage	V_{IM22}		1.9	2.2	2.5	V
High input voltage	V_{IH2}		2.9	3.3	5.5	V
Input impedance	R_{IH2}	input voltage $\leq 3.3V$	280	400	480	$k\Omega$
V_{DD} output (3.3V) (reverse current prevention diode implemented)						
Output voltage	V_{O1}	$I_{O1} = 200mA$	3.13	3.3	3.47	V
Output current	I_{O1}	$V_{O1} \geq 3.1V$	350			mA
Line regulation	ΔV_{OLN1}	$5.7V < V_{6IN} < 6.5V$, $I_{O1} = 200mA$ or $V_{6IN} = 0V$, $7.5V < V_{CC1} < 16V$, $I_{O1} = 200mA$		30	90	mV
Load regulation	ΔV_{OLD1}	$1mA < I_{O1} < 200mA$		70	150	mV
Dropout voltage	V_{DROP1}	$I_{O1} = 200mA$, $V_{6IN} = 0V$ (applicable to V_{CC1})		2.8	3.5	V
Ripple rejection (*2)	R_{REJ1}	$f = 120Hz$, V_{6IN} or $V_{CC1} = 0.5V_{pp}$ $I_{O1} = 200mA$	40	50		dB
Reverse current	I_{rev}	$V_{O1} = 3.3V$, $V_{CC1} = V_{6IN} = 0V$		1	50	μA
SW33V output (3.3V) ; CTRL2 = "M1 or M2 or H"						
Output voltage	V_{O2}	$I_{O2} = 200mA$	3.13	3.3	3.47	V
Output current	I_{O2}	$V_{O2} \geq 3.1V$	450			mA
Line regulation	ΔV_{OLN2}	$5.7V < V_{6IN} < 6.5V$, $I_{O2} = 200mA$		30	90	mV
Load regulation	ΔV_{OLD2}	$1mA < I_{O2} < 200mA$		70	150	mV
Dropout voltage	V_{DROP2}	$I_{O2} = 200mA$		0.25	0.5	V
Ripple rejection (*2)	R_{REJ2}	$f = 120Hz$, V_{6IN} or $V_{CC1} = 0.5V_{pp}$ $I_{O2} = 200mA$	40	50		dB
AUDIO (5-9V)output ; CTRL2 = "M1 or M2 or H"						
AUDIO_F voltage	V_{I3}		1.212	1.25	1.288	V
AUDIO_F input current	I_{IN3}		-1		1	μA
AUDIO output voltage 1	V_{O3}	$I_{O3} = 150mA$, $R_3 = 30k\Omega$, $R_4 = 5.6k\Omega$ (*3)	7.65	8.0	8.35	V
AUDIO output voltage 2	V_{O3}'	$I_{O3} = 150mA$, $R_3 = 27k\Omega$, $R_4 = 4.7k\Omega$ (*3)	8.13	8.5	8.87	V
AUDIO output voltage 3	V_{O3}''	$I_{O3} = 150mA$, $R_3 = 24k\Omega$, $R_4 = 3.9k\Omega$ (*3)	8.6	9.0	9.4	V
AUDIO output voltage 4	V_{O3}'''	$I_{O3} = 150mA$, $R_3 = 30k\Omega$, $R_4 = 10k\Omega$ (*3)	4.75	5.0	5.25	V
AUDIO output current	I_{O3}		250			mA
Line regulation	ΔV_{OLN3}	$10V < V_{CC2} < 16V$, $I_{O3} = 150mA$		30	90	mV
Load regulation	ΔV_{OLD3}	$1mA < I_{O3} < 150mA$		70	150	mV
Dropout voltage 1	V_{DROP3}	$I_{O3} = 150mA$		0.3	0.45	V
Ripple rejection (*2)	R_{REJ3}	$f = 120Hz$, $I_{O3} = 150mA$	40	50		dB
ILM (5-12V) output ; CTRL1 = "M1 or M2 or H"						
ILM_F voltage	V_{I4}		1.212	1.25	1.288	V
ILM_F input current	I_{IN4}		-1		1	μA
ILM output voltage 1	V_{O4}	$I_{O4} = 200mA$, $R_1 = 43k\Omega$, $R_2 = 5.1k\Omega$ (*3)	11.21	11.8	12.39	V
ILM output voltage 2	V_{O4}'	$I_{O4} = 200mA$, $R_1 = 56k\Omega$, $R_2 = 7.5k\Omega$ (*3)	9.97	10.5	11.03	V

*1 : All the specification is defined based on the tests performed under the conditions where T_j and $T_a (= 25^\circ C)$ are almost equal. These tests were performed with pulse load to minimize the increase of junction temperature (T_j).

*2 : guaranteed by design

*3 : Using resistors of tolerance within 1%.

Continued on next page.

LV5684PVD

Continued from preceding page.

Parameter	Symbol	Conditions	Ratings			Unit
			min	typ	max	
ILM output voltage 3	$V_{O4''}$	$I_{O4} = 200\text{mA}$, $R1 = 30\text{k}\Omega$, $R2 = 5.6\text{k}\Omega$ (*3)	7.6	8.0	8.4	V
ILM output voltage 4	$V_{O4'''}$	$I_{O4} = 200\text{mA}$, $R1 = 30\text{k}\Omega$, $R2 = 10\text{k}\Omega$ (*3)	4.75	5.0	5.25	V
ILM output current	I_{O4}		300			mA
Line regulation	ΔV_{OLN4}	$10\text{V} < V_{CC2} < 16\text{V}$, $I_{O4} = 200\text{mA}$ $R1 = 30\text{k}\Omega$, $R2 = 5.6\text{k}\Omega$		30	90	mV
Load regulation	ΔV_{OLD4}	$1\text{mA} < I_{O4} < 200\text{mA}$		70	150	mV
Dropout voltage 1	V_{DROP4}	$I_{O4} = 200\text{mA}$		0.7	1.05	V
Dropout voltage 2	$V_{DROP4'}$	$I_{O4} = 100\text{mA}$		0.35	0.53	V
Ripple rejection (*2)	R_{REJ4}	$f = 120\text{Hz}$, $I_{O4} = 200\text{mA}$	40	50		dB
CD (5V/8V output) ; CTRL2 = "H" : 8V, CTRL2 = "M2" : 5V						
Output voltage	V_{O51}	$I_{O5} = 1000\text{mA}$	4.75	5.0	5.25	V
	V_{O52}	$I_{O5} = 1000\text{mA}$	7.6	8.0	8.4	V
Output current	I_{O5}	$V_{O51} \geq 4.7\text{V}$, $V_{O52} \geq 7.6\text{V}$	1300			mA
Line regulation	ΔV_{OLN5}	$10.5\text{V} < V_{CC2} < 16\text{V}$, $I_{O5} = 1000\text{mA}$		50	100	mV
Load regulation	ΔV_{OLD5}	$10\text{mA} < I_{O5} < 1000\text{mA}$		100	200	mV
Dropout voltage 1	V_{DROP5}	$I_{O5} = 1000\text{mA}$		1.0	1.5	V
Dropout voltage 2	$V_{DROP5'}$	$I_{O5} = 500\text{mA}$		0.5	0.75	V
Ripple rejection (*2)	R_{REJ5}	$f = 120\text{Hz}$, $I_{O5} = 1000\text{mA}$	40	50		dB
EXT_HS-SW ; CTRL1 = "M2 or H"						
Output voltage	V_{O6}	$I_{O6} = 350\text{mA}$	$V_{CC2-1.0}$	$V_{CC2-0.5}$		V
Output current	I_{O6}	$V_{O6} \geq V_{CC2-1.0}$	350			mA
ANT_HS-SW ; CTRL1 = "H"						
Output voltage	V_{O7}	$I_{O7} = 300\text{mA}$	$V_{CC2-1.0}$	$V_{CC2-0.5}$		V
Output current	I_{O7}	$V_{O7} \geq V_{CC2-1.0}$	300			mA

*2 : guaranteed by design

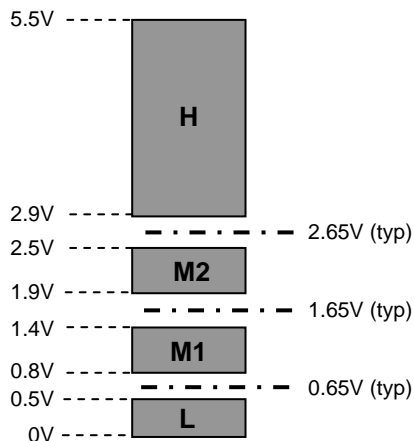
*3 : Using resistors of tolerance within 1%.

CTRL logic truth table

CTRL1	ANT	EXT	ILM
H	ON	ON	ON
M2	OFF	ON	ON
M1	OFF	OFF	ON
L	OFF	OFF	OFF

CTRL2	CD	AUDIO	SW33V
H	ON (8V)	ON	ON
M2	ON (5V)	ON	ON
M1	OFF	ON	ON
L	OFF	OFF	OFF

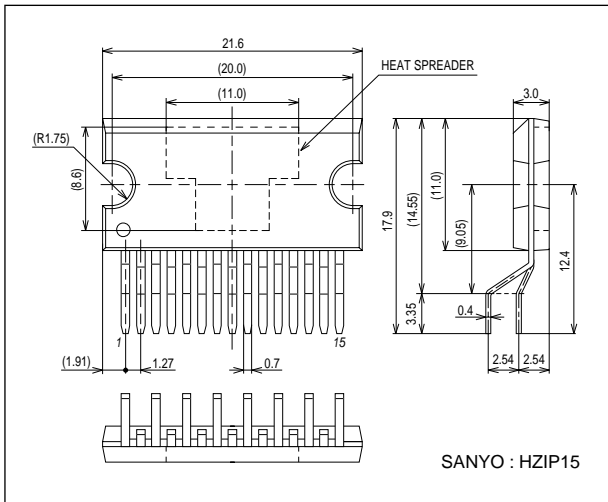
CTRL1/2 voltage range and threshold



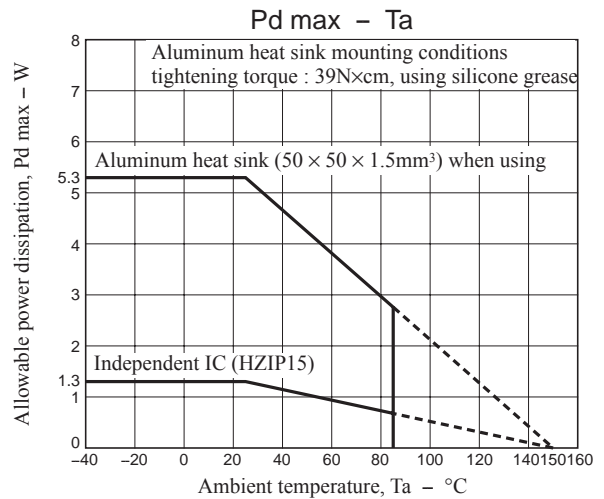
LV5684PVD

Package Dimensions

unit : mm (typ)
3336

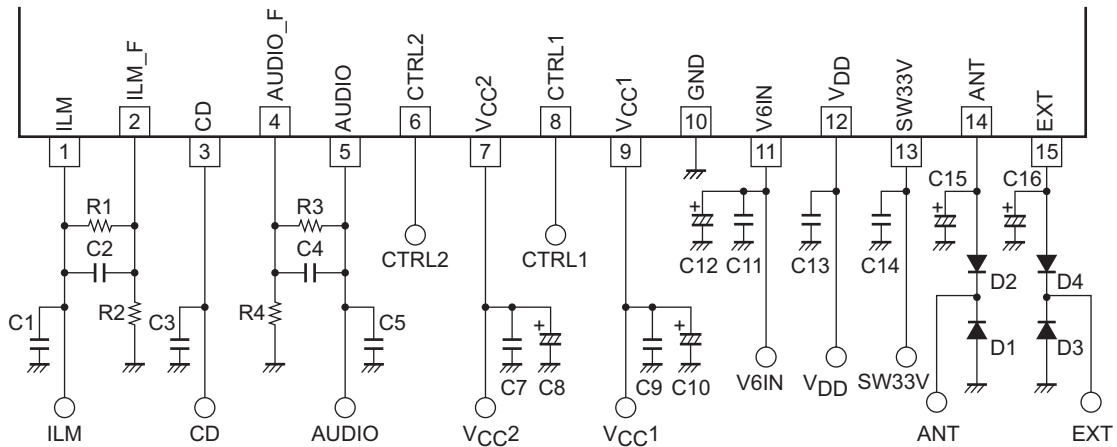


• Allowable power dissipation derating curve



Application Circuit Example

LV5684PVD



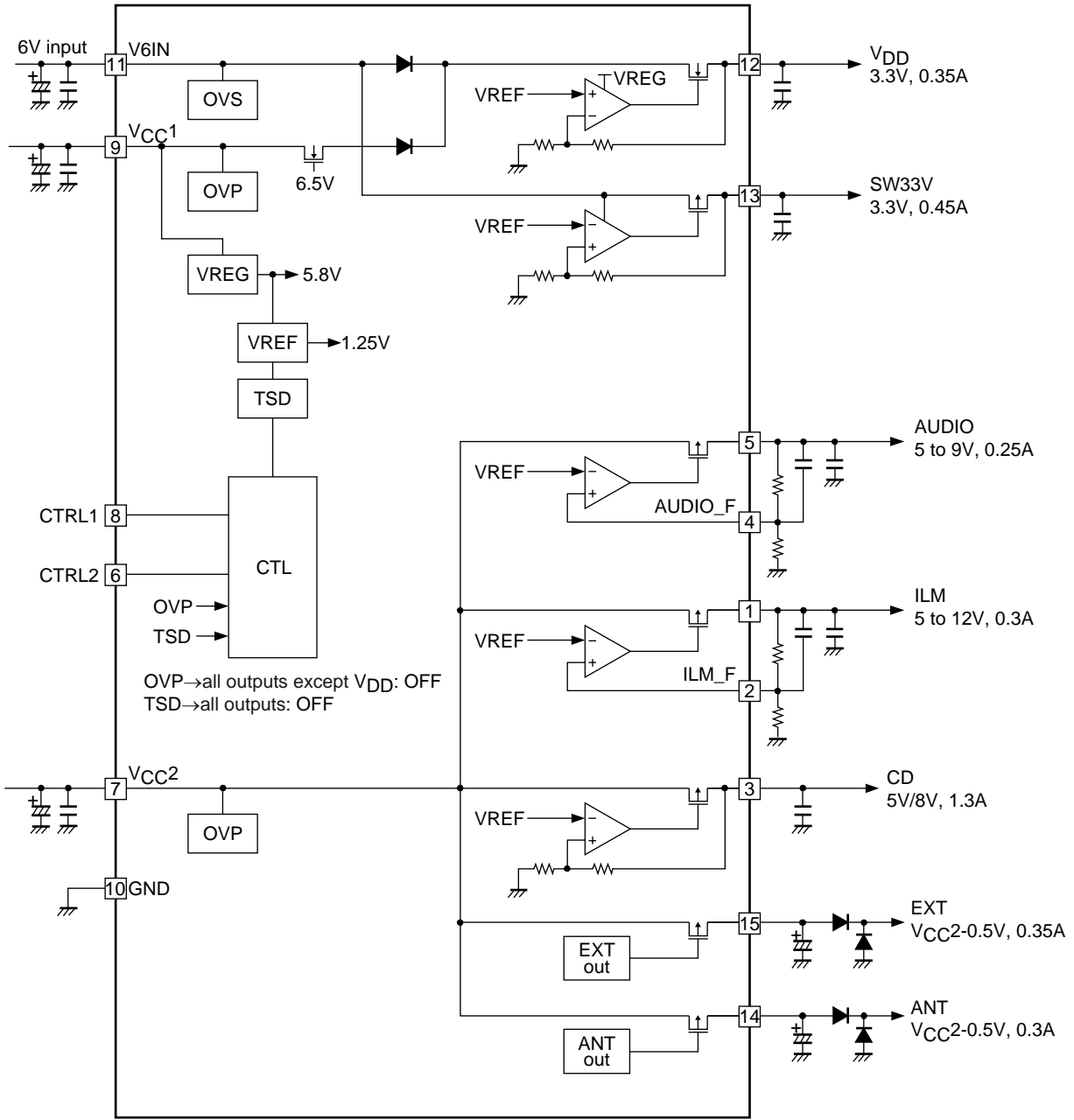
Peripheral parts

Part name	Description	Recommended value	Note
C1, C3, C5, C13, C14	output stabilization capacitor	greater than 10 μ F (*1)	
C2, C4	output stabilization capacitor	0pF	Ceramic capacitor
C8, C10, C12	Capacitor for bypass power supply	C8: greater than 100 μ F C10, C12: greater than 47 μ F	Make sure to implement close to V _{CC} and GND.
C7, C9, C11	Capacitor for oscillation protector	greater than 0.22 μ F	
C15, C16	Capacitor for EXT/ANT output stabilization	greater than 2.2 μ F	
R1, R2	ILM voltage setting	R1/R2 43k Ω /5.1k Ω : V _O = 12V 56k Ω /7.5k Ω : V _O = 10.5V 30k Ω /5.6k Ω : V _O = 8V 30k Ω /10k Ω : V _O = 5V	Use resistors of tolerance within 1%
R3, R4	AUDIO voltage setting	R3/R4 30k Ω /10k Ω : V _O = 5V 30k Ω /5.6k Ω : V _O = 8.0V 27k Ω /4.7k Ω : V _O = 8.5V 24k Ω /3.9k Ω : V _O = 9V	Use resistors of tolerance within 1%
D1, D2, D3, D4	Internal device protector diode	SANYO SB1003M3	

(*1) Make sure that output capacitors are greater than 10 μ F and meets the condition of ESR = 0.001 to 10 Ω , in which voltage/ temperature dependence and unit differences are taken into consideration. Moreover, in case of electrolytic capacitor, high-frequency characteristics should be sufficiently good.

LV5684PVD

Block Diagram



Pin Function

Pin No.	Pin name	Description	Equivalent Circuit
1	ILM	ILM output When CTRL1 = M1, M2, H, ILM is ON	
2	ILM_F	ILM voltage adjust	

Continued on next page.

LV5684PVD

Continued from preceding page.

Pin No.	Pin name	Description	Equivalent Circuit
3	CD	CD output When CTRL2 = M2, H, CD is ON 5V or 8V/1.3A	
4	AUDIO_F	AUDIO voltage adjust	
5	AUDIO	AUDIO output When CTRL2 = M1, M2, H, AUDIO is ON	
6	CTRL2	CTRL2 input 4-value input	
7	VCC2	Power supply	
8	CTRL1	CTRL1 input 4-value input	
9	VCC1	Power supply	
10	GND	GND	
11	V6IN	Power supply	

Continued on next page.

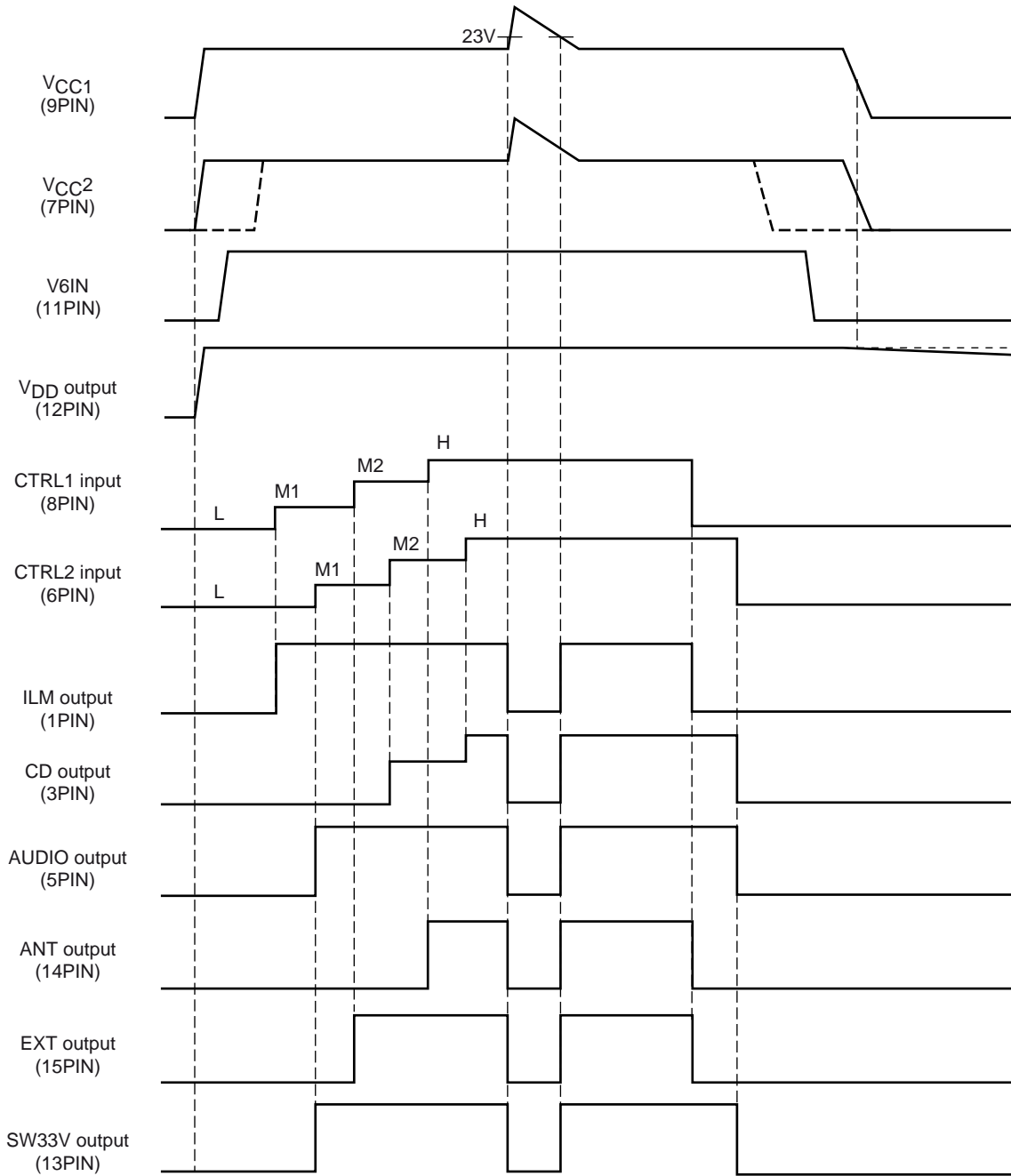
LV5684PVD

Continued from preceding page.

Pin No.	Pin name	Description	Equivalent Circuit
12	V _{DD}	V _{DD} output 3.3V/0.35A	
13	SW33V	SW33V output When CTRL2 = M1, M2, H, SW33V is ON 3.3V/0.45A	
14	ANT	ANT output When CTRL1 = H, ANT is ON V _{CC} -0.5V/300mA	
15	EXT	EXT output When CTRL1 = M2, H, EXT is ON V _{CC} -0.5V/350mA	

LV5684PVD

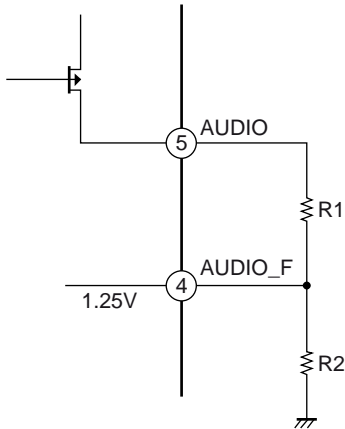
Timing Chart



Caution: The above values are obtained when typ.

LV5684PVD

- How to set AUDIO output voltage



AUDIO_F is determined by internal band-gap reference voltage (typ = 1.25V).

AUDIO output voltage expression

$$AUDIO = \left(\frac{R_1}{R_2} + 1\right) \times 1.25[V]$$

$$\frac{R_1}{R_2} = \frac{AUDIO}{1.25} - 1$$

Set the ratio of R1 and R2 to satisfy above expression.

(ex) AUDIO = 9V setting

$$\frac{R_1}{R_2} = \frac{9}{1.25} - 1 = 6.2$$

$$\frac{R_1}{R_2} = \frac{24k\Omega}{3.9k\Omega} \cong 6.15$$

$$AUDIO = (6.15 + 1) \times 1.25V \cong \boxed{8.94V}$$

- ILM output voltage is similarly calculated as AUDIO output.

(ex) ILM = 10.5V setting

$$\frac{R_1}{R_2} = \frac{10.5}{1.25} - 1 = 7.4$$

$$\frac{R_1}{R_2} = \frac{56k\Omega}{7.5k\Omega} \cong 7.46$$

$$ILM = (7.46 + 1) \times 1.25V \cong \boxed{10.575V}$$

Note : The above values are typical values. These values have variation among the range of their tolerances.

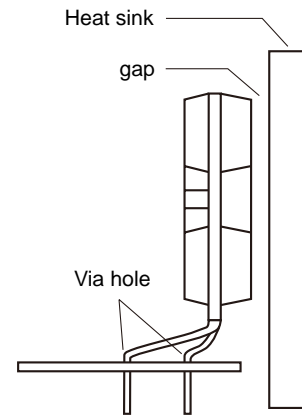
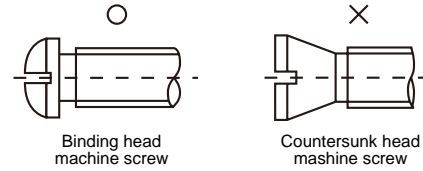
HZIP15 Heat sink attachment

Heat sinks are used to lower the semiconductor device junction temperature by leading the heat generated by the device to the outer environment and dissipating that heat.

- a. Unless otherwise specified, for power ICs with tabs and power ICs with attached heat sinks, solder must not be applied to the heat sink or tabs.

b. Heat sink attachment

- Use flat-head screws to attach heat sinks.
- Use also washer to protect the package.
- Use tightening torques in the ranges 39-59Ncm (4-6kgcm) .
- If tapping screws are used, do not use screws with a diameter larger than the holes in the semiconductor device itself.
- Do not make gap, dust, or other contaminants to get between the semiconductor device and the tab or heat sink.
- Take care a position of via hole .
- Do not allow dirt, dust, or other contaminants to get between the semiconductor device and the tab or heat sink.
- Verify that there are no press burrs or screw-hole burrs on the heat sink.
- Warping in heat sinks and printed circuit boards must be no more than 0.05 mm between screw holes, for either concave or convex warping.
- Twisting must be limited to under 0.05 mm.
- Heat sink and semiconductor device are mounted in parallel.
Take care of electric or compressed air drivers
- The speed of these torque wrenches should never exceed 700 rpm, and should typically be about 400 rpm.



c. Silicone grease

- Spread the silicone grease evenly when mounting heat sinks.
- Sanyo recommends YG-6260 (Momentive Performance Materials Japan LLC)

d. Mount

- First mount the heat sink on the semiconductor device, and then mount that assembly on the printed circuit board.
- When attaching a heat sink after mounting a semiconductor device into the printed circuit board, when tightening up a heat sink with the screw, the mechanical stress which is impossible to the semiconductor device and the pin doesn't hang.

e. When mounting the semiconductor device to the heat sink using jigs, etc.,

- Take care not to allow the device to ride onto the jig or positioning dowel.
- Design the jig so that no unreasonable mechanical stress is applied to the semiconductor device.

f. Heat sink screw holes

- Be sure that chamfering and shear drop of heat sinks must not be larger than the diameter of screw head used.
- When using nuts, do not make the heat sink hole diameters larger than the diameter of the head of the screws used. A hole diameter about 15% larger than the diameter of the screw is desirable.
- When tap screws are used, be sure that the diameter of the holes in the heat sink are not too small. A diameter about 15% smaller than the diameter of the screw is desirable.

- g. There is a method to mount the semiconductor device to the heat sink by using a spring band. But this method is not recommended because of possible displacement due to fluctuation of the spring force with time or vibration.

- SANYO Semiconductor Co.,Ltd. assumes no responsibility for equipment failures that result from using products at values that exceed, even momentarily, rated values (such as maximum ratings, operating condition ranges, or other parameters) listed in products specifications of any and all SANYO Semiconductor Co.,Ltd. products described or contained herein.
- Regarding monolithic semiconductors, if you should intend to use this IC continuously under high temperature, high current, high voltage, or drastic temperature change, even if it is used within the range of absolute maximum ratings or operating conditions, there is a possibility of decrease reliability. Please contact us for a confirmation.
- SANYO Semiconductor Co.,Ltd. strives to supply high-quality high-reliability products, however, any and all semiconductor products fail or malfunction with some probability. It is possible that these probabilistic failures or malfunction could give rise to accidents or events that could endanger human lives, trouble that could give rise to smoke or fire, or accidents that could cause damage to other property. When designing equipment, adopt safety measures so that these kinds of accidents or events cannot occur. Such measures include but are not limited to protective circuits and error prevention circuits for safe design, redundant design, and structural design.
- In the event that any or all SANYO Semiconductor Co.,Ltd. products described or contained herein are controlled under any of applicable local export control laws and regulations, such products may require the export license from the authorities concerned in accordance with the above law.
- No part of this publication may be reproduced or transmitted in any form or by any means, electronic or mechanical, including photocopying and recording, or any information storage or retrieval system, or otherwise, without the prior written consent of SANYO Semiconductor Co.,Ltd.
- Any and all information described or contained herein are subject to change without notice due to product/technology improvement, etc. When designing equipment, refer to the "Delivery Specification" for the SANYO Semiconductor Co.,Ltd. product that you intend to use.
- Upon using the technical information or products described herein, neither warranty nor license shall be granted with regard to intellectual property rights or any other rights of SANYO Semiconductor Co.,Ltd. or any third party. SANYO Semiconductor Co.,Ltd. shall not be liable for any claim or suits with regard to a third party's intellectual property rights which has resulted from the use of the technical information and products mentioned above.

This catalog provides information as of August, 2012. Specifications and information herein are subject to change without notice.