



SANYO Semiconductors

DATA SHEET

LV58132MX — Bi-CMOS IC Step-down Switching Regulator

Overview

LV58132MX is a 1ch step-down switching regulator. With built-in 0.25Ω power MOSFET switch, it achieves high output current and high efficiency. With low-heat resistance, miniature package MFP8 (200mil) with heat-sink is adopted. Since it is Current mode control type, it has good load current response, and phase compensation is easy. With ON/OFF pin, operating can be less than 90μA at stand-by mode. It has over current protection for load devices. With external capacitor, it achieves soft start.

Functions

- 2.0A 1ch step-down regulator
- Small package: MFP8 (200mil) with heat sink
- High efficiency (88% $I_{OUT} = 1A$, $V_{IN} = 12V$, $V_O = 5V$)
- Standby mode
- Over-current protection
- Thermal shutdown protection
- Reference voltage: 0.8V
- Inside frequency: 370kHz
- Soft start
- Wide input dynamic range (4.75 to 18V)

Specifications

Maximum Ratings at $T_a = 25^\circ\text{C}$

Parameter	Symbol	Conditions	Ratings	Unit
Maximum input V_{IN} voltage	$V_{IN\ max}$		20	V
BOOT pin maximum voltage	$V_{BT\ max}$		25	V
SW pin maximum voltage	$V_{SW\ max}$		$V_{IN\ max}$	V
BOOT pin-SW pin maximum voltage	$V_{BS-SW\ max}$		7	V
EN Maximum Voltage	$V_{EN\ max}$		20	V
FB, COMP, SS pin maximum voltage	$V_{fs\ max}$		7	V
Allowable power dissipation	$P_d\ max$	Mount on a specified board *1	2.05	W
Junction temperature	$T_j\ max$		150	$^\circ\text{C}$
Operating temperature	T_{opr}		-20 to 80	$^\circ\text{C}$
Storage temperature	T_{stg}		-40 to 150	$^\circ\text{C}$

*1: 46.4mm x 31.8mm x 1.7mm Four layers glass epoxy substrate.

Note: Plan the maximum voltage while including coil and surge voltages, so that the maximum voltage is not exceeded even for an instant.

■ Any and all SANYO Semiconductor Co.,Ltd. products described or contained herein are, with regard to "standard application", intended for the use as general electronics equipment (home appliances, AV equipment, communication device, office equipment, industrial equipment etc.). The products mentioned herein shall not be intended for use for any "special application" (medical equipment whose purpose is to sustain life, aerospace instrument, nuclear control device, burning appliances, transportation machine, traffic signal system, safety equipment etc.) that shall require extremely high level of reliability and can directly threaten human lives in case of failure or malfunction of the product or may cause harm to human bodies, nor shall they grant any guarantee thereof. If you should intend to use our products for applications outside the standard applications of our customer who is considering such use and/or outside the scope of our intended standard applications, please consult with us prior to the intended use. If there is no consultation or inquiry before the intended use, our customer shall be solely responsible for the use.

■ Specifications of any and all SANYO Semiconductor Co.,Ltd. products described or contained herein stipulate the performance, characteristics, and functions of the described products in the independent state, and are not guarantees of the performance, characteristics, and functions of the described products as mounted in the customer's products or equipment. To verify symptoms and states that cannot be evaluated in an independent device, the customer should always evaluate and test devices mounted in the customer's products or equipment.

SANYO Semiconductor Co., Ltd.

<http://semicon.sanyo.com/en/network>

LV58132MX

Recommended Operating Conditions at Ta = 25°C

Parameter	Symbol	Conditions	Ratings	Unit
V _{IN} pin voltage	V _{IN}		4.75 to 18	V
BOOT pin voltage	V _{BT}		-0.3 to 23	V
SW pin voltage	V _{SW}		-0.4 to V _{IN}	V
BOOT pin-SW pin voltage	V _{BS-SW}		6.5	V
EN voltage	V _{EN}		18	V
FB, COMP, SS pin voltage	V _{FSSO}		6	V

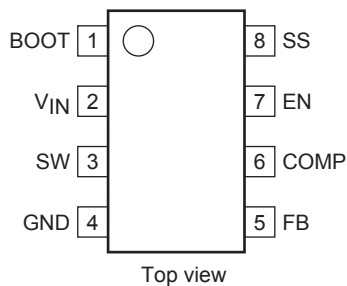
Electrical Characteristics at Ta = 25°C, V_{IN} = 12V

Parameter	Symbol	Conditions	Ratings			Unit
			min	typ	max	
IC current drain at standby	I _{CC1}	EN=0V		90		μA
IC current drain in operation	I _{CC2}	EN=5V, FB=1V		2		mA
Efficiency	Effcy	V _{IN} =12V, I _{OUT} =1A, V _o =5V, Design target *2		88		%
Reference voltage	V _{ref}	V _{IN} =4.75V to 28V	-2%	0.8	+2%	V
FB pin bias current	I _{ref}	FB=0.8V		20	200	nA
High-side ON resistance	R _{onH}	BOOT=5V		0.25		Ω
Low-side ON resistance	R _{onL}			5		Ω
Oscillation frequency	f _{OSC}		296	370	444	kHz
Oscillatory frequency when short-circuit is protected	f _{OSCS}		85	115	145	kHz
EN high-threshold voltage	V _{ENH}		0.9	1.8	2.7	V
EN low-threshold voltage	V _{ENL}		0.7	1.35	2.0	V
Maximum ON DUTY	D max			85		%
SW Peak Current limit 1	I _{cl1}	V _{IN} =12V, V _{OUT} =1.2V, L=10μH, *3	2.9		5.5	A
SW Peak Current limit 2	I _{cl2}	V _{IN} =12V, V _{OUT} =3.3V, L=10μH, *3	2.6		5.2	A
SW Peak Current limit 3	I _{cl3}	V _{IN} =12V, V _{OUT} =5V, L=10μH, *3	2.3		4.9	A
Thermal shutdown temperature	T _{tsd}	*Design guarantee *3		160		°C
Thermal shutdown temperature hysteresis	D _{tsd}	*Design guarantee *3		40		°C
Soft start current	I _{SS}	SS=0V	3	5	7	μA

*2: Reference value (not tested IC unit)

*3: Design guarantee (value guaranteed by design and not tested IC unit)

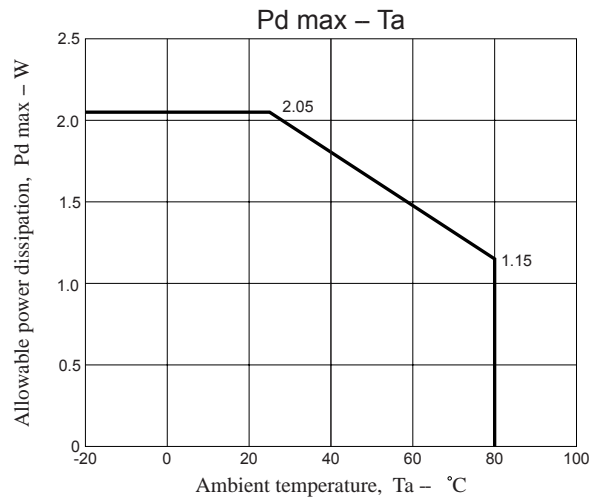
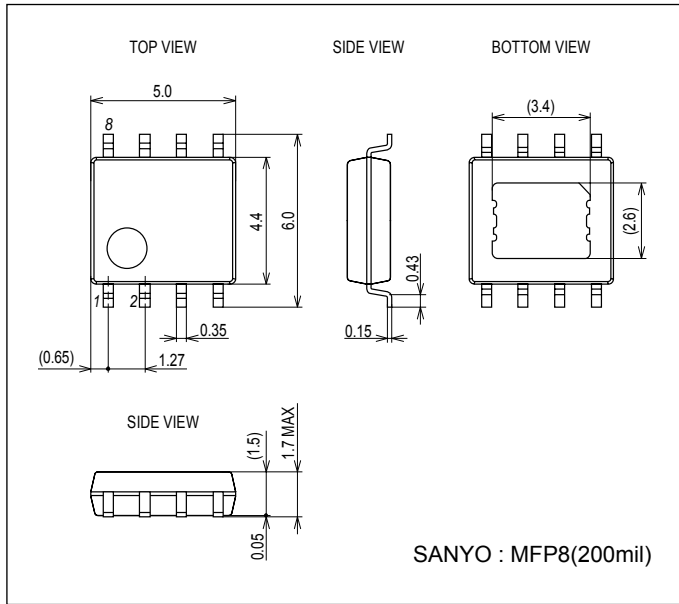
Pin Assignment



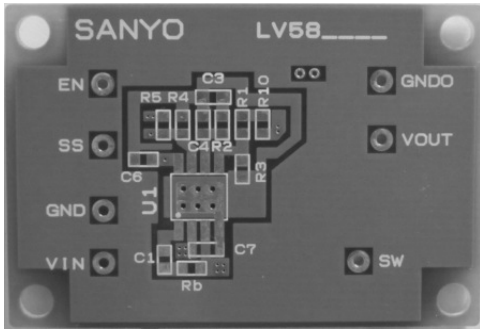
LV58132MX

Package Dimensions

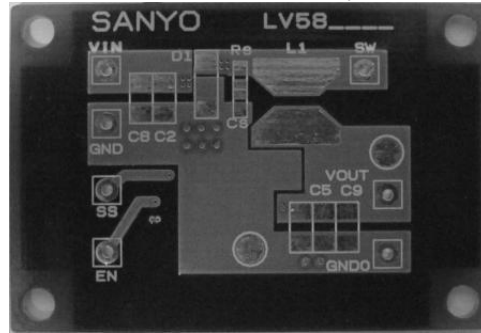
unit : mm (typ)
3372



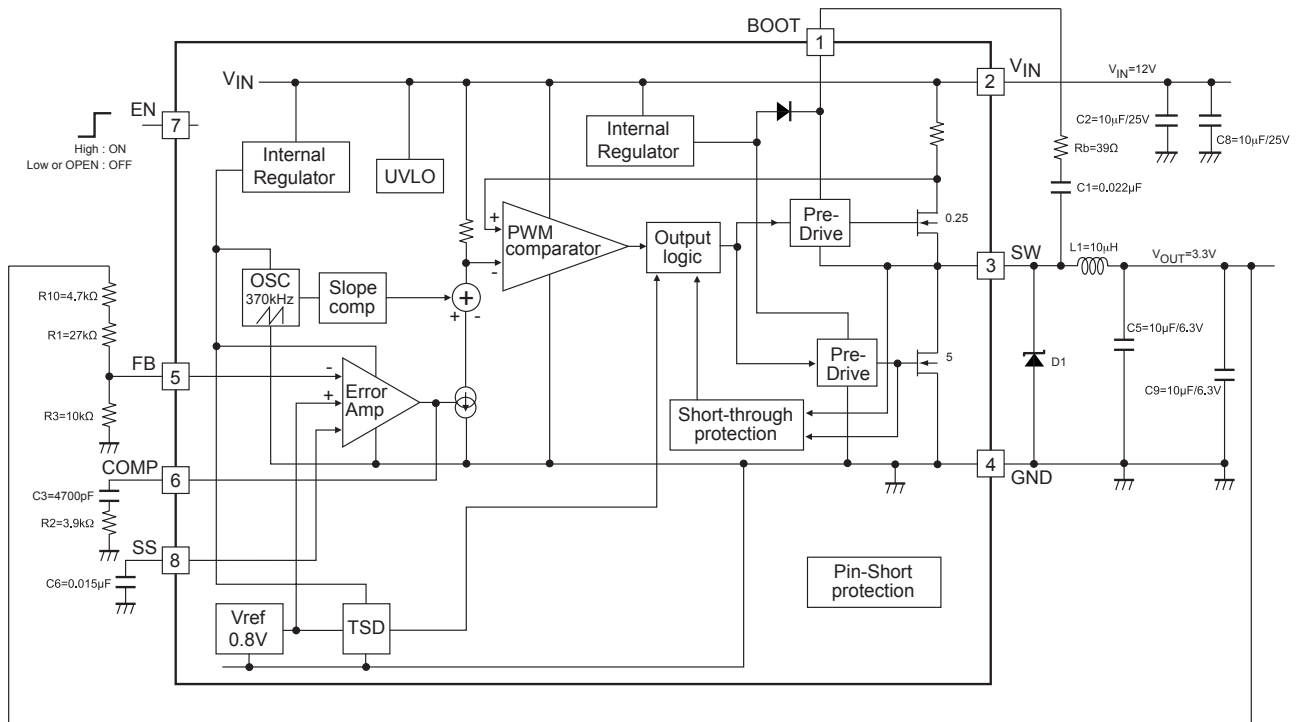
Specified Board [IC, Small signal part side]



Specified Board [coil, Schottky part side]



Block Diagram and Sample Application Circuit



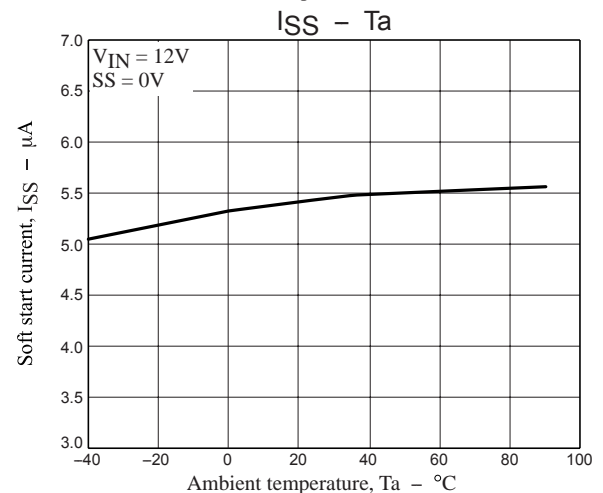
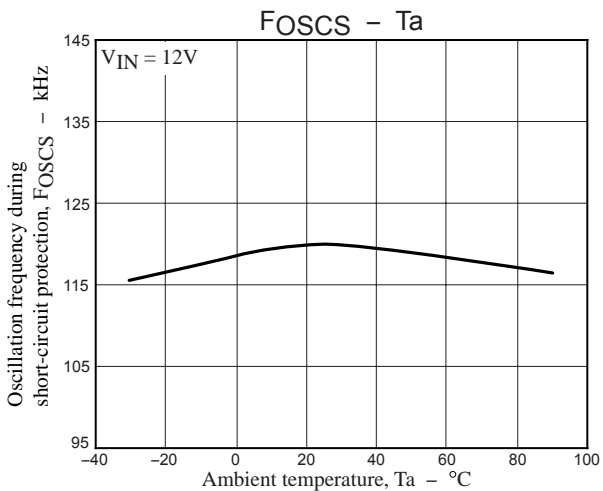
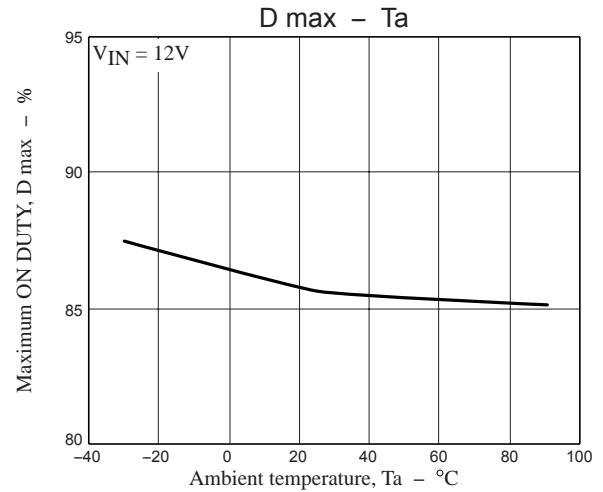
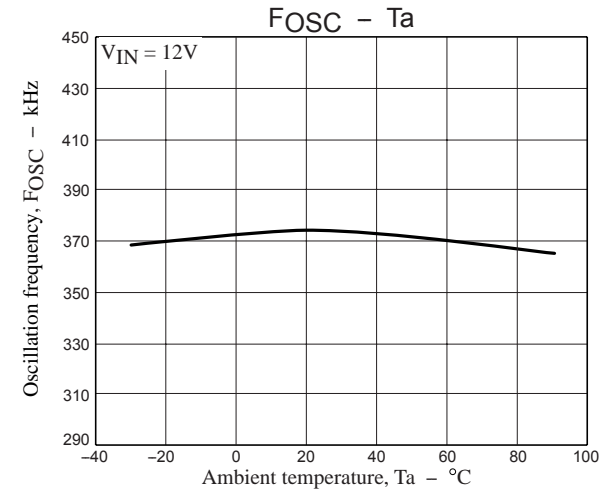
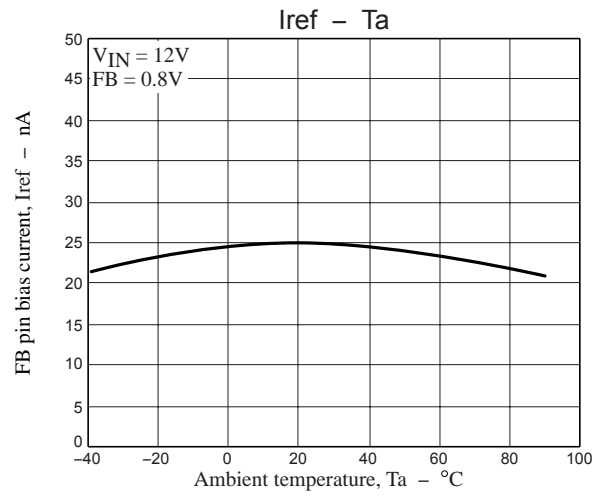
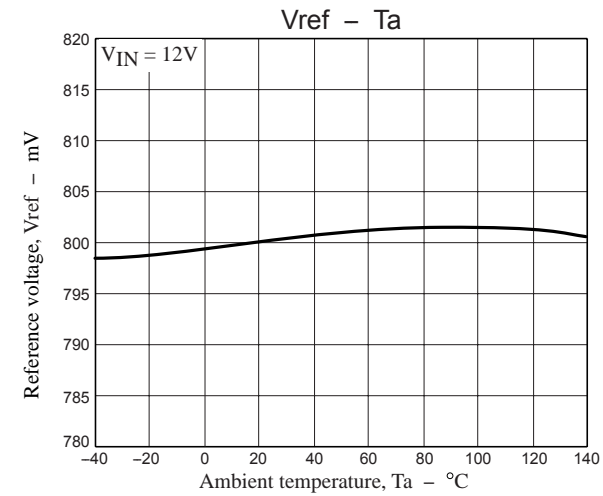
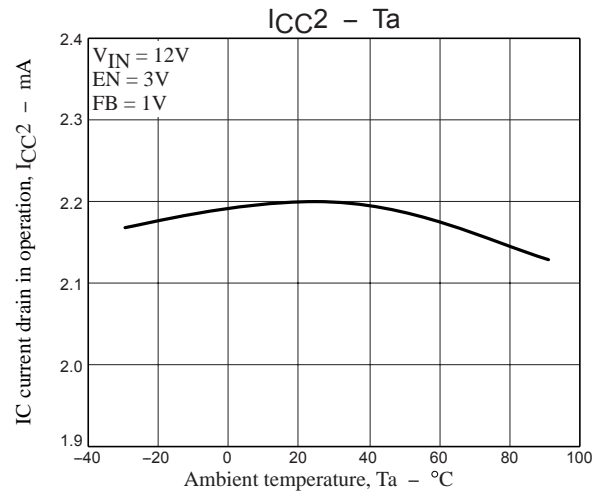
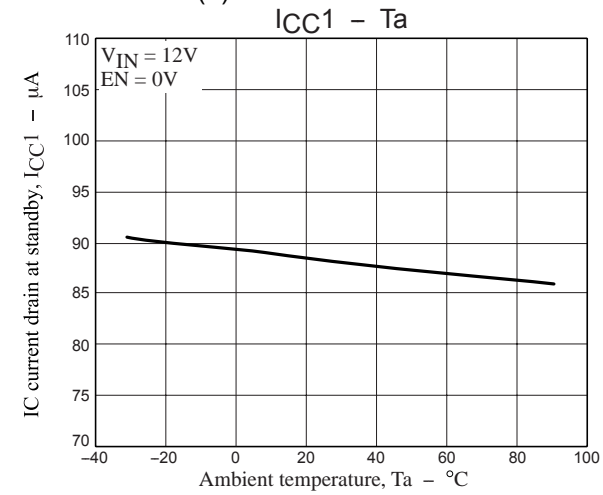
LV58132MX

Pin Function

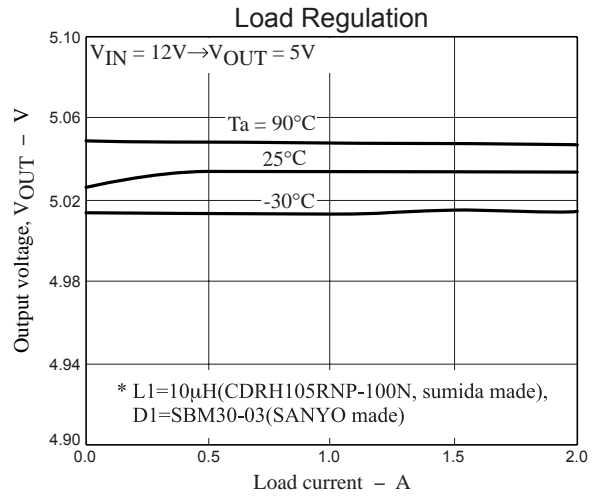
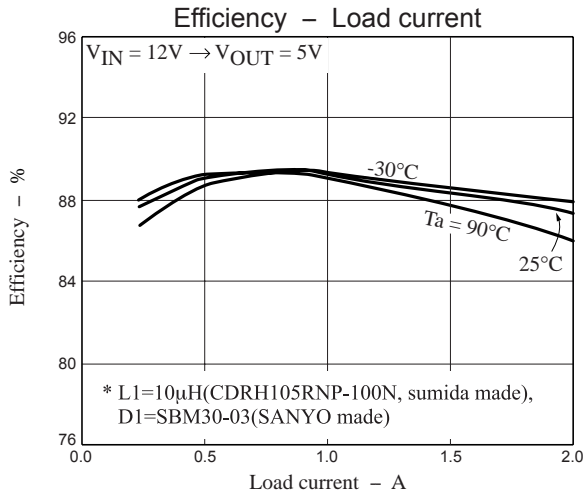
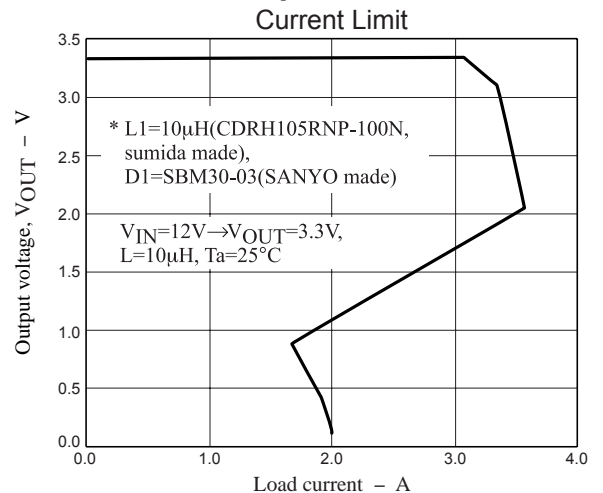
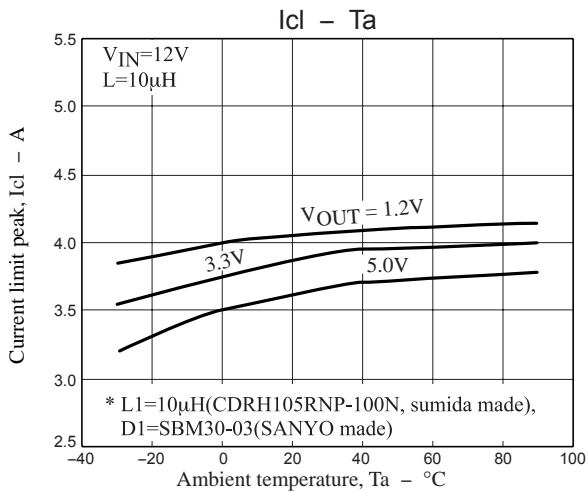
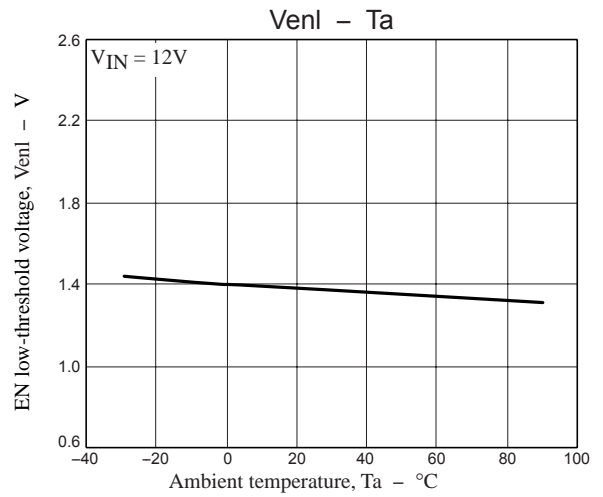
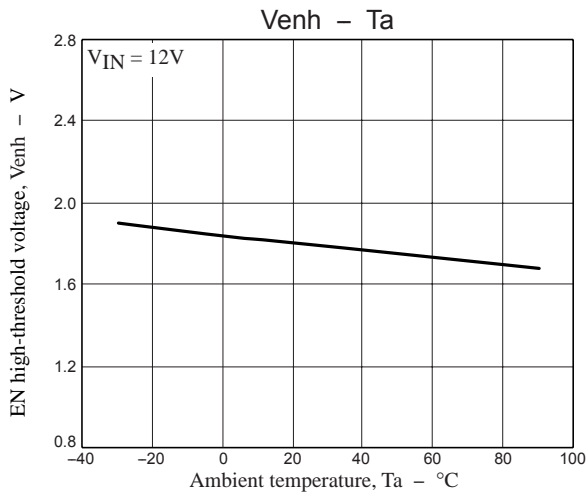
Pin No.	Pin name	Function	Equivalent circuit
1	BOOT	Upper MOS transistor boot strap capacitance connection pin. Connect the boot capacitance of about 0.022uF between SW pins. To protect the SW pin's absolute maximum rating, to ensure stable operation, and to eliminate noise, the boot capacitance serial resistance (about 100Ω) Rb proves effective.	
2	V _{IN}	Input Voltage Pin. Connect substantially large (10uF more) capacitance between this pin and GND.	
3	SW	Power Switch pin. Connect the output LC filter. Connect the above capacitance between this pin and BOOT pin.	
4	GND	Ground pin.	
5	FB	Feedback pin. Set the output voltage by means of split resistor in the section of the output voltage V _{OUT} -FB-GND. V _{OUT} setting is made as calculated below. $V_{OUT} = V_{ref} \times \left\{ 1 + \frac{(R1 + R10)}{R3} \right\}$ $V_{ref} = 0.8V$ Example: 3.3V output voltage (See, Block Diagram and Application example) $V_{OUT} = 0.8 \times \left\{ 1 + \frac{(27k + 4.3k)}{10k} \right\}$ $= 3.304V$	
8	SS	Soft start pin. Sets the soft start time by means of the built-in 5uA source voltage and external soft start capacity. The soft start capacity C _{SS} can be set as follows: $C_{SS} = 5\mu A \times \frac{T_{ss}}{V_{ref}}$ Where, T _{ss} is the soft start time and V _{ref} is the reference voltage. Example: 2.4ms soft start time achieved $C_{SS} = 5\mu A \times \frac{2.4ms}{0.8V} = 0.015\mu F$	
6	COMP	Phase compensation pin. Connects with the phase compensation external capacitance and resistance of DC/DC converter close loop.	
7	EN	Enable pin. Converter enabled when set to the HIGH voltage and disabled when GND or OPEN state.	

LV58132MX

Reference data (1)



LV58132MX

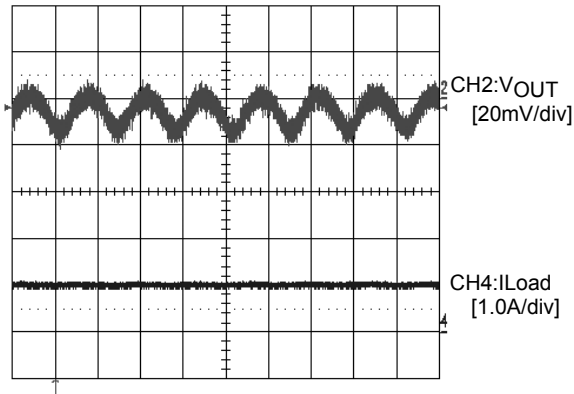


LV58132MX

Reference data (2)

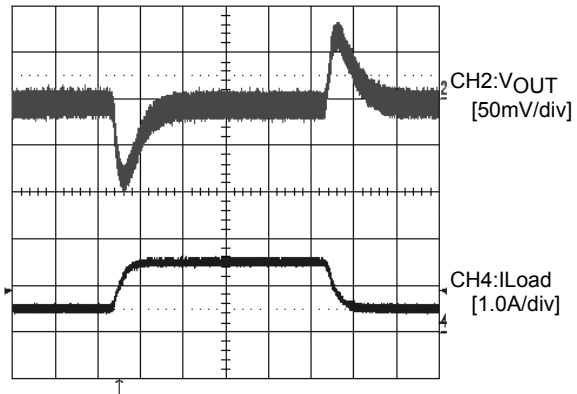
(* measurement circuit is shown in "Block Diagram and Sample Application circuit", $V_{IN} = 12V \Rightarrow V_{OUT} = 3.3V$)

• Output voltage ripple $I_{Load} = 1.0A$ [0.5 μ sec/div]

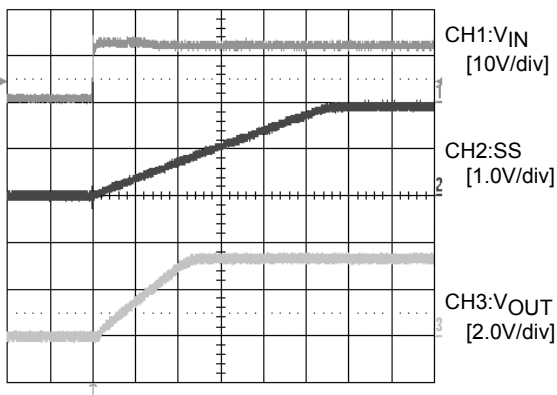


• Load transient response

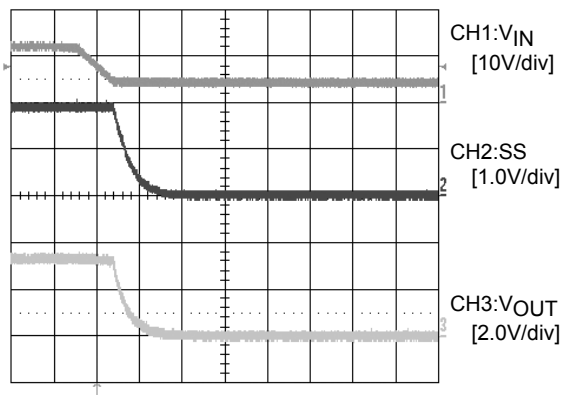
$I_{Load} = 0.5A \leftrightarrow 1.5A$ [100 μ sec/div]



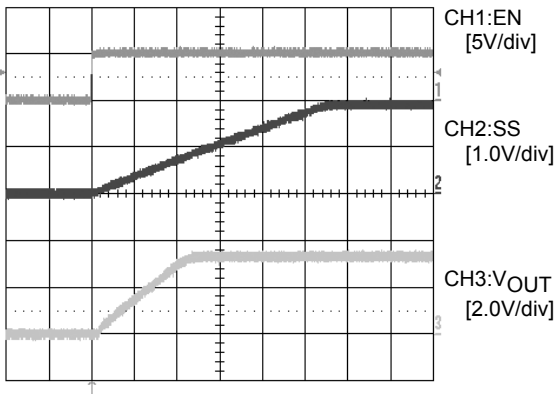
• V_{IN} start up waveform $R_{Load} = 3\Omega$ [1msec/div]



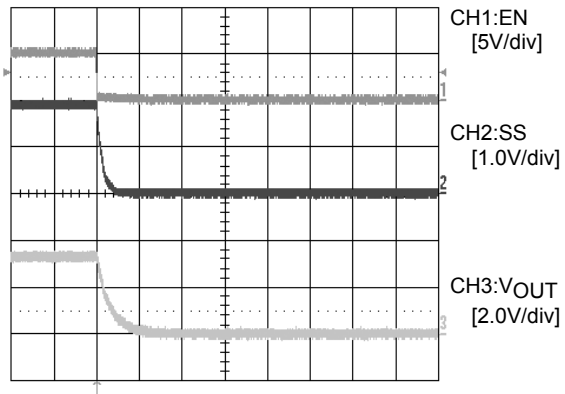
• V_{IN} stop waveform $R_{Load} = 3\Omega$ [0.2msec/div]



• EN start up waveform $R_{Load} = 3.3\Omega$ [1msec/div]



• EN stop waveform $R_{Load} = 3.3\Omega$ [0.2msec/div]



Considerations for the design

- Insertion of serial beads in the Schottky diode for removal of noise may cause generation of the negative voltage deviating from the absolute maximum rating at the SW pin, resulting in failure of normal operation. In such an event, do not insert beads as above described and, instead, remove noise by means of the BOOT resistance R_b .
- Please connect Exposed PAD on the back of IC with GND. Generation of heat can be suppressed by the thing connected with big plain GND as much as possible. (* Neither patterns except GND nor the short-circuits must be in Exposed PAD.)

- SANYO Semiconductor Co.,Ltd. assumes no responsibility for equipment failures that result from using products at values that exceed, even momentarily, rated values (such as maximum ratings, operating condition ranges, or other parameters) listed in products specifications of any and all SANYO Semiconductor Co.,Ltd. products described or contained herein.
- SANYO Semiconductor Co.,Ltd. strives to supply high-quality high-reliability products, however, any and all semiconductor products fail or malfunction with some probability. It is possible that these probabilistic failures or malfunction could give rise to accidents or events that could endanger human lives, trouble that could give rise to smoke or fire, or accidents that could cause damage to other property. When designing equipment, adopt safety measures so that these kinds of accidents or events cannot occur. Such measures include but are not limited to protective circuits and error prevention circuits for safe design, redundant design, and structural design.
- In the event that any or all SANYO Semiconductor Co.,Ltd. products described or contained herein are controlled under any of applicable local export control laws and regulations, such products may require the export license from the authorities concerned in accordance with the above law.
- No part of this publication may be reproduced or transmitted in any form or by any means, electronic or mechanical, including photocopying and recording, or any information storage or retrieval system, or otherwise, without the prior written consent of SANYO Semiconductor Co.,Ltd.
- Any and all information described or contained herein are subject to change without notice due to product/technology improvement, etc. When designing equipment, refer to the "Delivery Specification" for the SANYO Semiconductor Co.,Ltd. product that you intend to use.
- Information (including circuit diagrams and circuit parameters) herein is for example only; it is not guaranteed for volume production.
- Upon using the technical information or products described herein, neither warranty nor license shall be granted with regard to intellectual property rights or any other rights of SANYO Semiconductor Co.,Ltd. or any third party. SANYO Semiconductor Co.,Ltd. shall not be liable for any claim or suits with regard to a third party's intellectual property rights which has resulted from the use of the technical information and products mentioned above.

This catalog provides information as of February, 2011. Specifications and information herein are subject to change without notice.