



ON Semiconductor®

<http://onsemi.com>

# LV71081E

Bi-CMOS IC

## Video/Audio Signal IO Interface of DVD Recorder

### Overview

The LV71081E is for video/audio signal input/output interface of DVD recorder.

### Functions

- Video audio canal SW
- S signal 3 input switch
- 6dB amplifier
- 6MHz/12MHz/27MHz-LPF / 6MHz/12MHz/27MHz low pass filter
- 6ch video driver (AV1, AV2, Line output, R•G•B output)
- Video signal detection
- Composite sync output

### Specifications

#### Absolute Maximum Ratings at $T_a = 25^\circ\text{C}$

| Parameter                   | Symbol       | Conditions   | Ratings     | Unit             |
|-----------------------------|--------------|--|-------------|------------------|
| Maximum supply voltage 1    | $V_{CC}$ max |  | 6.0         | V                |
| Maximum supply voltage 2    | $V_{CC}$ max |  | 13.0        | V                |
| Allowable power dissipation | $P_d$ max    | $T_a \leq 75^\circ\text{C}$ Mounted on a specified board * | 1200        | mW               |
| Operating temperature       | $T_{opr}$    |  | -20 to +75  | $^\circ\text{C}$ |
| Storage temperature         | $T_{stg}$    |  | -40 to +150 | $^\circ\text{C}$ |

\* Mounted on a specified board : 114.3mm × 76.1mm × 1.6mm, glass epoxy

Stresses exceeding Maximum Ratings may damage the device. Maximum Ratings are stress ratings only. Functional operation above the Recommended Operating Conditions is not implied. Extended exposure to stresses above the Recommended Operating Conditions may affect device reliability.

# LV71081E

## Recommended Operating Conditions at Ta = 25°C

| Parameter                        | Symbol              | Conditions | Ratings      | Unit |
|----------------------------------|---------------------|------------|--------------|------|
| Recommended supply voltage 1     | V <sub>CC</sub>     |            | 5.0          | V    |
| Recommended supply voltage 2     | V <sub>CC</sub>     |            | 12.0         | V    |
| Operating supply voltage range 1 | V <sub>CC opg</sub> |            | 4.5 to 5.3   | V    |
| Operating supply voltage range 2 | V <sub>CC opg</sub> |            | 11.1 to 12.5 | V    |

## Electrical Characteristics at Ta = 25°C, V<sub>CC</sub> = 2.8V

| Parameter                     | Symbol               | Input signal |        |       | Out Point | Test condition  | Ratings |       |       | Unit |
|-------------------------------|----------------------|--------------|--------|-------|-----------|---|---------|-------|-------|------|
|                               |                      | Point        | Signal | Freq  |           |   | min     | typ   | max   |      |
| Current dissipation 1 (5V)    | I <sub>CC1</sub>     |              |        |       |           | Pin6, 8, 25, 40 flow in current when non-signal   | 97.7    | 115.0 | 132.2 | mA   |
| Current dissipation 2 (ALL5V) | I <sub>CC2</sub>     |              |        |       |           | Pin42, 84, 94 flow in current when non-signal   | 20.0    | 23.0  | 26.0  | mA   |
| Current dissipation 3 (11.6V) | I <sub>CC3</sub>     |              |        |       |           | Pin46 flow in current when non-signal   | 18.7    | 22.0  | 25.3  | mA   |
| <b>Video CANAL SW part</b>    |                      |              |        |       |           |   |         |       |       |      |
| Output voltage 1              | VDCC                 |              |        |       | 26<br>28  | AV1, AV2-OUT (Sync tip)   | 0.3     | 0.5   | 0.7   | V    |
| Voltage gain                  | VGC                  |              |        | 100k  | 26<br>28  | V <sub>IN</sub> = 1Vp-p, AV1, AV2-OUT   | 5.5     | 6.0   | 6.5   | dB   |
| Frequency characteristics     | VFC                  |              |        |       | 26<br>28  | V <sub>IN</sub> = 1Vp-p,<br>f = 10MHz/100kHz  | -1.0    | 0.0   | +1.0  | dB   |
| Differential gain             | DGC                  |              |        |       | 26<br>28  | V <sub>IN</sub> = Video : 1Vp-p   | -1      | 0     | +1    | %    |
| Differential phase            | DPC                  |              |        |       | 26<br>28  | V <sub>IN</sub> = Video : 1Vp-p   | -1.5    | 0     | +1.5  | °C   |
| Cross-talk                    | CTC                  |              |        | 4.43M | 26<br>28  | Selected input = GND<br>Non-selected input = 1Vp-p,<br>f = 4.43MHz  |         | -60   | -50   | dB   |
| Picture S/N                   | VSNC                 |              |        |       | 26<br>28  | V <sub>IN</sub> = Video (50%White)  |         | -70   | -65   | dB   |
| Maximum output level          | V <sub>O</sub> MAXC  |              |        |       | 26<br>28  | Output level at which the linearity of AV1-OUT (pin 26) and AV2-OUT (pin 28) exceeds 1%.<br>V <sub>IN</sub> = Linearity (lamp) signal<br>Output level at linearity 1% | 2.8     | 3.0   |       | Vp-p |
| <b>Video INPUT SW part</b>    |                      |              |        |       |           |   |         |       |       |      |
| Output voltage 1              | VDCI1                |              |        |       | 83        | Composite (Sync-Tip)  | 0.8     | 1.0   | 1.2   | V    |
| Output voltage 2              | VDCI2                |              |        |       | 83        | Y (Sync-Tip)  | 0.8     | 1.0   | 1.2   | V    |
| Output voltage 3              | VDCI3                |              |        |       | 81        | Chroma (Center)   | 1.8     | 2.1   | 2.4   | V    |
| Voltage gain 1                | VGI1                 |              |        | 100k  | 81<br>83  | V <sub>IN</sub> = 1Vp-p, load = 10kΩ  | -0.5    | 0.0   | +0.5  | dB   |
| Voltage gain 2                | VGI2                 |              |        | 100k  | 85        | V <sub>IN</sub> = 1Vp-p, load = 10kΩ<br>(SLICER output only)  | 5.5     | 6.0   | 6.5   | dB   |
| Frequency characteristics     | VFI                  |              |        |       | 81<br>83  | V <sub>IN</sub> = 1Vp-p,<br>f = 10MHz/100kHz  | -1.0    | 0.0   | +1.0  | dB   |
| Differential Gain             | DGSW                 |              |        |       | 83        | V <sub>IN</sub> = Video :1Vp-p  | -1      | 0     | +1    | %    |
| Differential Phase            | DPSW                 |              |        |       | 83        | V <sub>IN</sub> = Video :1Vp-p  | -1.5    | 0     | +1.5  | °C   |
| Cross-talk                    | CTC                  |              |        | 4.43M | 81<br>83  | Selected input = GND<br>Non-selected input = 1Vp-p,<br>f = 4.43MHz  |         | -60   | -50   | dB   |
| Picture S/N                   | VSNC                 |              |        |       | 83        | V <sub>IN</sub> = Video (50%White)  |         | -66   | -60   | dB   |
| Maximum output level          | V <sub>O</sub> MAXSW |              |        |       | 83        | Output level when the linearity of pin 83 exceeds 1%.<br>V <sub>IN</sub> = Linearity (lamp) signal<br>Output level at linearity 1%                                    | 1.8     | 2.0   |       | Vp-p |

Continued on next page.

# LV71081E

Continued from preceding page.

| Parameter                   | Symbol       | Input signal   |        |       | Out<br>Point   | Test condition  | Ratings |     |      | Unit    |
|-----------------------------|--------------|----------------|--------|-------|----------------|---|---------|-----|------|---------|
|                             |              | Point          | Signal | Freq  |                |   | min     | typ | max  |         |
| <b>Video Driver part</b>    |              |                |        |       |                |   |         |     |      |         |
| Output voltage 1            | VDCD1        | 95<br>97<br>99 |        |       | 9<br>12<br>17  | RGB (Pedestal)  | 0.3     | 0.5 | 0.7  | V       |
| Output voltage 2            | VDCD2        | 93             |        |       | 14<br>23       | Y (Sync tip)  | 0.5     | 0.7 | 0.9  | V       |
| Voltage gain 1              | VGD          |                |        | 100k  |                | $V_{IN} = 1Vp-p$ , Line output : 2 drives, Scart output: DC directly-coupled single drive Note 1)   | 5.5     | 6.0 | 6.5  | dB      |
| Frequency characteristics 1 | VFD1         |                |        |       |                | $V_{IN} = 1Vp-p$ ,<br>$f = 6MHz/100kHz$ when 6MHzLPF is selected  | -1.5    | 0.0 | +1.5 | dB      |
| Frequency characteristics 2 | VFD2         |                |        |       |                | $f = 27MHz/100kHz$ when 6MHzLPF is selected   |         | -35 | -25  | dB      |
| Frequency characteristics 3 | VFD3         |                |        |       |                | $f = 12MHz/100kHz$ when 12MHzLPF is selected  | -1.5    | 0.0 | +1.5 | dB      |
| Frequency characteristics 4 | VFD4         |                |        |       |                | $f = 54MHz/100kHz$ when 12MHzLPF is selected  |         | -40 | -30  | dB      |
| Group delay                 | VGDD1        |                |        |       |                | $f = 6MHz/100kHz$ when 6MHzLPF is selected  |         | 20  | 35   | ns      |
| Mute attenuation            | VMUD         |                |        |       |                | $V_{IN} = 1Vp-p$ , $f=4.43MHz$  |         | -60 | -50  | dB      |
| Differential Gain           | DG1          | 91<br>93       |        |       | 23             | $V_{IN} = \text{Video} : 1Vp-p$   | -1      | 0   | +1   | %       |
| Differential Phase          | DP1          | 91<br>93       |        |       | 23             | $V_{IN} = \text{Video} : 1Vp-p$   | -1.5    | 0   | +1.5 | °C      |
| Cross-talk                  | CTD          |                |        | 4.43M |                | $V_{IN} = 1Vp-p$ , $f = 4.43MHz$ , Driver output terminated with $75\Omega$   |         | -60 | -50  | dB      |
| Picture S/N                 | VSND         |                |        |       |                | $V_{IN} = \text{Video} (50\%White)$   |         | -70 | -65  | dB      |
| Maximum output level 1      | $V_{O}MAXD1$ |                |        |       | 9<br>12<br>17  | Output level when the linearity of pins 9, 12, and 17 exceeds 1%.<br>$V_{IN} = \text{Linearity (lamp) signal}$<br>Output level at linearity 1%  | 2.8     | 3.0 |      | Vp-p    |
| Maximum output level 2      | $V_{O}MAXD2$ |                |        |       | 14<br>19<br>23 | Output level when the linearity of pins 14, 19, and 23 exceeds 1%.<br>$V_{IN} = \text{Linearity (lamp) signal}$<br>Output level at linearity 1% | 2.6     | 2.8 |      | Vp-p    |
| Maximum output level 3      | $V_{O}MAXD3$ |                |        |       | 7<br>11<br>22  | Output level at which the linearity of pins 7, 11, and 22 exceeds 1%.<br>$V_{IN} = \sin 10kHz$<br>Output level at linearity 1%                  | 2.0     | 2.5 |      | Vp-p    |
| <b>Sync-SEP part</b>        |              |                |        |       |                |   |         |     |      |         |
| C.SYNC output High voltage  | VCSH         |                |        |       | 86             |   | 4.3     | 4.7 | 5.0  | V       |
| C.SYNC output Low voltage   | VCSL         |                |        |       | 86             |   | 0       | 0.3 | 0.6  | V       |
| C.SYNC output delay time    | TDCS         |                |        |       | 86             | Note 2)   | 1.0     | 1.7 | 2.4  | $\mu s$ |
| C.SYNC output pulse width   | TWCS         |                |        |       | 86             | Note 2)   | 3.2     | 4.2 | 5.2  | $\mu s$ |
| V.SYNC output High voltage  | VVSH         |                |        |       | 82             |   | 4.3     | 4.7 | 5.0  | V       |
| V.SYNC output Low voltage   | VVSL         |                |        |       | 82             |   | 0       | 0.3 | 0.6  | V       |

Note 1) The Line output can drive two systems through capacitive coupling while the Scart output drives only one system through DC direct coupling.

Note 2) When pin 10 is open

Continued on next page.

# LV71081E

Continued from preceding page.

| Parameter                               | Symbol              | Input signal |        |      | Out<br>Point   | Test condition  | Ratings |       |       | Unit |
|---|---------------------|--------------|--------|------|----------------|---|---------|-------|-------|------|
|   |                     | Point        | Signal | Freq |                |   | min     | typ   | max   |      |
| V.SYNC output delay time                | TDVS                |              |        |      | 82             | Note 2)   | 7       | 15    | 25    | μs   |
| V.SYNC output pulse width               | TWVS                |              |        |      | 82             | V <sub>IN</sub> = PAL Video : 1Vp-p<br>Note 2)  | 125     | 155   | 185   | μs   |
| V.DET output High voltage               | VDETH               |              |        |      | 90             |   | 4.3     | 4.7   | 5.0   | V    |
| V.DET output Low voltage                | VDETL               |              |        |      | 90             |   | 0       | 0.3   | 0.6   | V    |
| <b>Audio canal switches part</b>        |                     |              |        |      |                |   |         |       |       |      |
| Maximum output level                    | V <sub>O</sub> MAXC |              |        |      | 71<br>to<br>74 | AV1, AV2-OUT (L, R)<br>BW = 400 to 30kHz<br>Output level at f = 1kHz,<br>THD = 1%                     | 2.2     | 2.5   |       | Vrms |
| Channel balance                         | CVSW                |              |        |      | 71<br>to<br>74 | V <sub>IN</sub> = 2Vrms, f = 1kHz<br>Lch Gain-Rch Gain  | -1.5    | 0.0   | +1.5  | dB   |
| Total harmonic distortion               | THDAC               |              |        |      | 71<br>to<br>74 | V <sub>IN</sub> = 2Vrms, f = 1kHz,<br>BW = 400 to 30kHz   |         | 0.003 | 0.01  | %    |
| Output noise voltage                    | VNAC                |              |        |      | 71<br>to<br>74 | Rg = 0Ω, BW = JIS-A   |         | -100  | -80   | dBV  |
| Mute attenuation                        | VMUAC               |              |        |      | 71<br>to<br>74 | V <sub>IN</sub> = 2Vrms, f = 1kHz,<br>BW = JIS-A<br>20log (V <sub>OUT</sub> /V <sub>IN</sub> )        |         | -90   | -75   | dB   |
| Input impedance                         | Z <sub>IN</sub>     |              |        |      |                |   | 80      | 100   | 120   | kΩ   |
| Cross talk between channel and selctors | CTSW                |              |        |      | 71<br>to<br>74 | V <sub>IN</sub> = 2Vrms, f = 1kHz<br>Rg = 0Ω, BW = JIS-A  |         | -110  | -80   | dB   |
| Tuner gain                              | GTU                 |              |        |      | 71<br>to<br>74 | V <sub>IN</sub> = 0.5Vrms   | 10.0    | 12.0  | 14.0  | dB   |
| Output off set voltage                  | V <sub>O</sub> FSET |              |        |      | 71<br>to<br>74 | Off set voltage at the time of<br>changeover SW.  | -20     | 0     | +20   | mV   |
| <b>Audio ADC block</b>                  |                     |              |        |      |                |   |         |       |       |      |
| Voltage gain 1                          | VGA1                |              |        |      | 78<br>79       | V <sub>IN</sub> = 1Vrms, f = 1kHz,<br>EVR = 0dB<br>Serial control select 6dB.                         | 4.5     | 6.0   | 7.5   | dB   |
| Voltage gain 2                          | VGA2                |              |        |      | 78<br>79       | V <sub>IN</sub> = 1Vrms, f = 1kHz,<br>EVR = 0dB<br>Serial control select 5.5dB.                       | 4.0     | 5.5   | 7.0   | dB   |
| Voltage gain 3                          | VGA3                |              |        |      | 78<br>79       | V <sub>IN</sub> = 1Vrms, f = 1kHz,<br>EVR = 0dB<br>Serial control select 5dB.                         | 3.5     | 5.0   | 6.5   | dB   |
| Voltage gain 4                          | VGA4                |              |        |      | 78<br>79       | V <sub>IN</sub> = 1Vrms, f = 1kHz,<br>EVR = 0dB<br>Serial control select 0dB.                         | -1.5    | 0.0   | +1.5  | dB   |
| Channel balance                         | CVVR                |              |        |      | 78<br>79       | V <sub>IN</sub> = 2Vrms, f = 1kHz,<br>AMP = 5.5dB, AEVR = -12dB<br>Lch Gain-Rch Gain                  | -1.5    | 0.0   | 1.5   | dB   |
| Maximum output level                    | V <sub>O</sub> MAXI |              |        |      | 78<br>79       | ADC-OUT (L, R),<br>AMP = 0dB, EVR = 0dB<br>BW = 400 to 30kHz<br>Output level at f = 1kHz,<br>THD = 1% | 2.2     | 2.5   |       | Vrms |
| Total harmonic distortion               | THDAI               |              |        |      | 78<br>79       | V <sub>IN</sub> = 2Vrms, f = 1kHz,<br>AMP = 5.5dB, EVR = -12dB<br>BW = 400 to 30kHz                   |         | 0.002 | 0.005 | %    |

Note 2) When pin 10 is open

Continued on next page.

# LV71081E

Continued from preceding page.

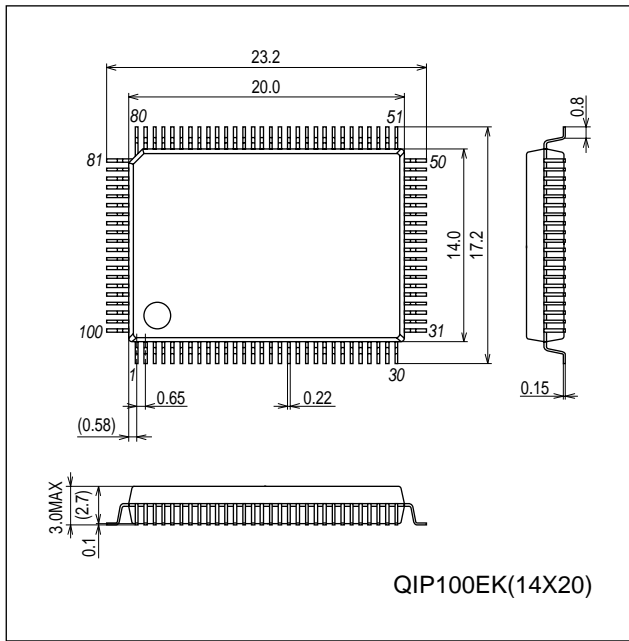
| Parameter                                     | Symbol            | Input signal |        |      | Out<br>Point   | Test condition   | Ratings |      |                 | Unit |
|---|-------------------|--------------|--------|------|----------------|--|---------|------|-----------------|------|
|   |                   | Point        | Signal | Freq |                |  | min     | typ  | max             |      |
| Output noise voltage                          | VNAI              |              |        |      | 78<br>79       | AMP = 5.5dB, EVR = -12dB<br>Rg = 0Ω, BW = JIS-A  |         | -100 | -80             | dBV  |
| Cross talk between channel and selctors       | CTVR              |              |        |      | 78<br>79       | V <sub>IN</sub> = 2Vrms, f = 1kHz,<br>AMP = 5.5dB, EVR = -12dB<br>Rg = 0Ω, BW = JIS-A          |         | -110 | -80             | dB   |
| Max attenuation amount                        | VMUAI             |              |        |      | 78<br>79       | V <sub>IN</sub> = 2Vrms, f = 1kHz,<br>AMP = 5.5dB, BW = JIS-A<br>EVR = mute/EVR = 0dB          |         | -106 | -85             | dB   |
| Residual noise voltage                        | VNAR              |              |        |      | 78<br>79       | AMP = 5.5dB, EVR = mute<br>Rg = 0Ω, BW = JIS-A   |         | -106 | -80             | dBV  |
| <b>External control part</b>                  |                   |              |        |      |                |  |         |      |                 |      |
| I <sup>2</sup> C-BUS High level input voltage | V <sub>IH</sub>   | 88<br>89     |        |      |                |  | 2.5     |      | V <sub>CC</sub> | V    |
| I <sup>2</sup> C-BUS Low level input voltage  | V <sub>IL</sub>   | 88<br>89     |        |      |                |  | GND     |      | 0.8             | V    |
| FSS output H voltage                          | VHFSS             |              |        |      | 27             | Serial control select FSS OUT<br>H, load = 10kΩ<br>external output resistor 470<br>recommended | 10.6    | 11.1 | 11.6            | V    |
| FSS output M voltage                          | VMFSS             |              |        |      | 27             | Serial control select FSS OUT<br>M, load = 10kΩ<br>external output resistor 470<br>recommended | 5.5     | 6.3  | 7.0             | V    |
| FSS output L voltage                          | VLSS              |              |        |      | 27             | Serial control select FSS OUT,<br>load = 10kΩ  | 0.0     | 0.1  | 0.5             | V    |
| FSS rising time                               | TFSSLH            |              |        |      | 27             |  |         |      | 1.0             | ms   |
| FB output H voltage                           | VHFB              |              |        |      | 34             | Serial control select FB OUT<br>H, load = 150Ω   | 3.0     | 4.0  | 5.0             | V    |
| FB output L voltage                           | VLFB              |              |        |      | 34             | Serial control select FB OUT L,<br>load = 150Ω   | 0.0     | 0.2  | 0.4             | V    |
| FB external control L range                   | VLFBIN            | 32           |        |      |                | Pin 32 input voltage range at<br>which the pin 34 output<br>becomes L                          | 0.0     |      | 0.5             | V    |
| FB external control H range                   | VHFBIN            | 32           |        |      |                | Pin 32 input voltage range<br>when the pin 34 output<br>becomes H                              | 1.0     |      | 3.0             | V    |
| External control output H voltage             | V <sub>EXTH</sub> |              |        |      | 10<br>36<br>38 | 2kΩ load for data 1  | 4.0     | 4.5  | 5.0             | V    |
| External control output L voltage             | V <sub>EXTL</sub> |              |        |      | 10<br>36<br>38 | 2kΩ load for data 0  | 0.0     | 0.3  | 1.0             | V    |
| <b>Internal reference regulator</b>           |                   |              |        |      |                |  |         |      |                 |      |
| REG2.5V                                       | VREG25            |              |        |      | 2<br>100       | Pins 2 and 100 voltage   | 2.3     | 2.5  | 2.7             | V    |
| REG9.0V                                       | VREG90            |              |        |      | 57<br>65       | Pins 57 and 65 voltage   | 8.7     | 9.0  | 9.3             | V    |
| VRE4.5  | VREG45            |              |        |      | 49             | Pin 49 voltage   | 4.3     | 4.5  | 4.7             | V    |

# LV71081E

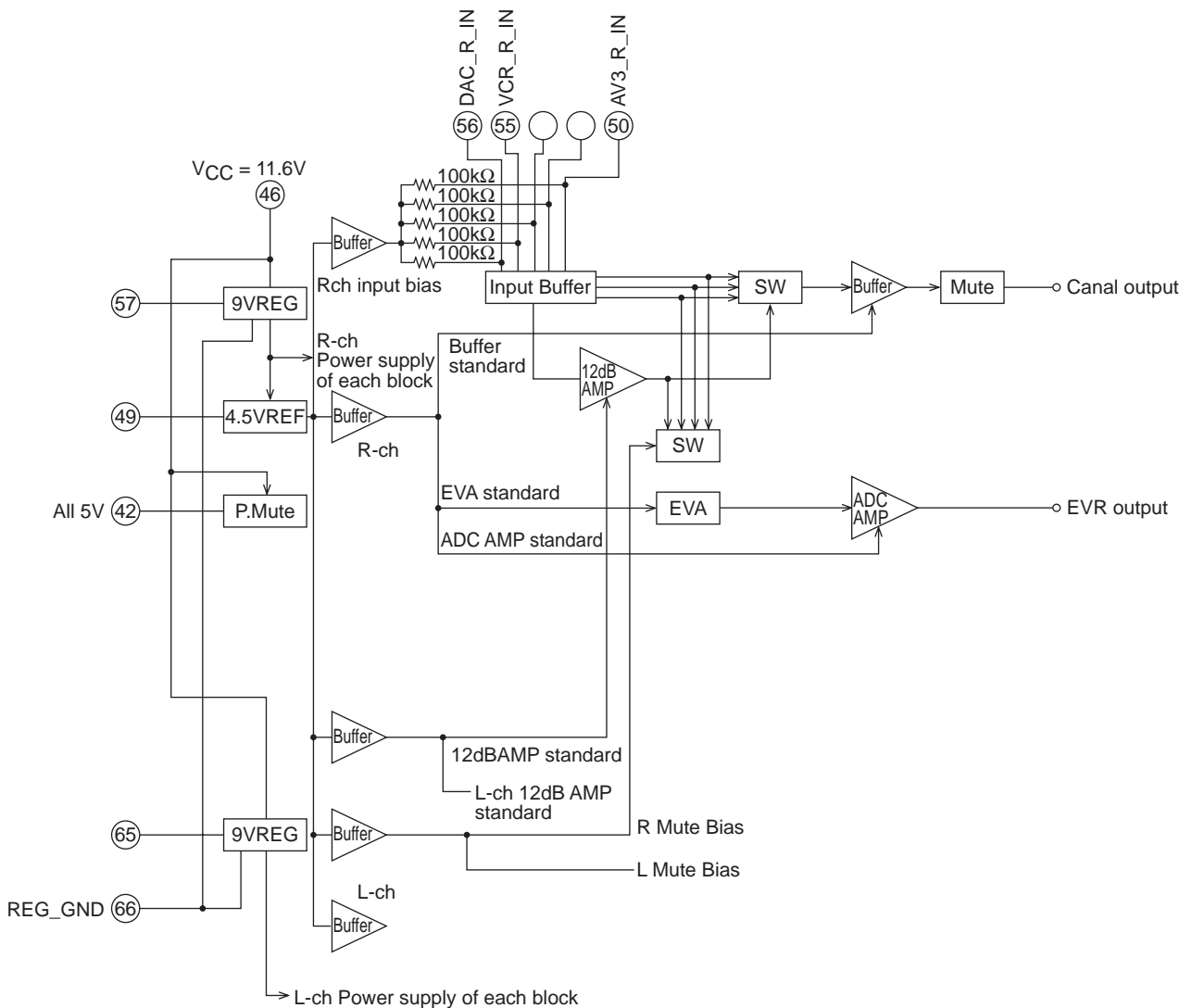
## Package Dimensions

unit : mm (typ)

3349



## Graphical View of Audio Block Power Supply

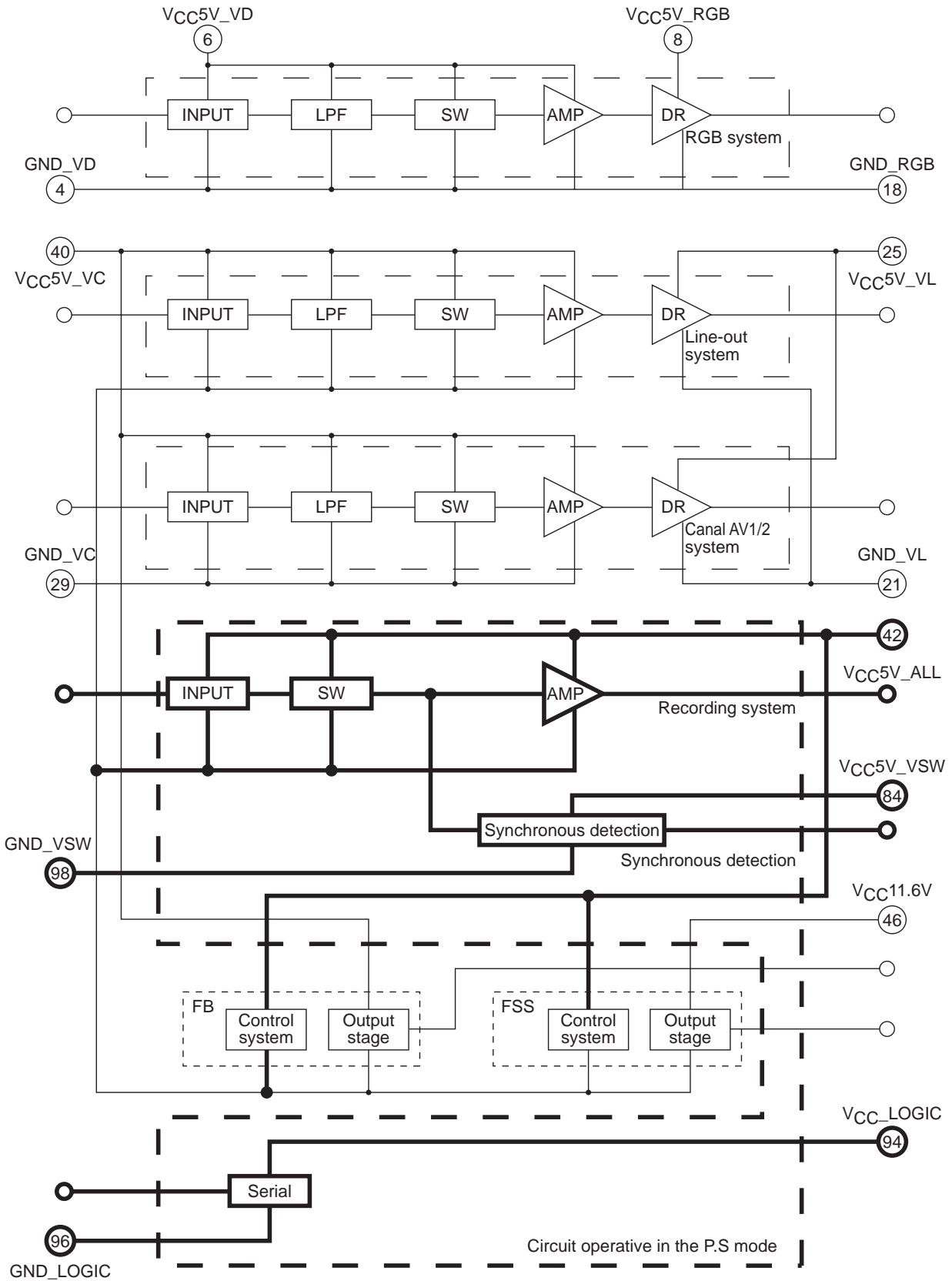


# LV71081E

## Graphical View of The Video Block Power Supply

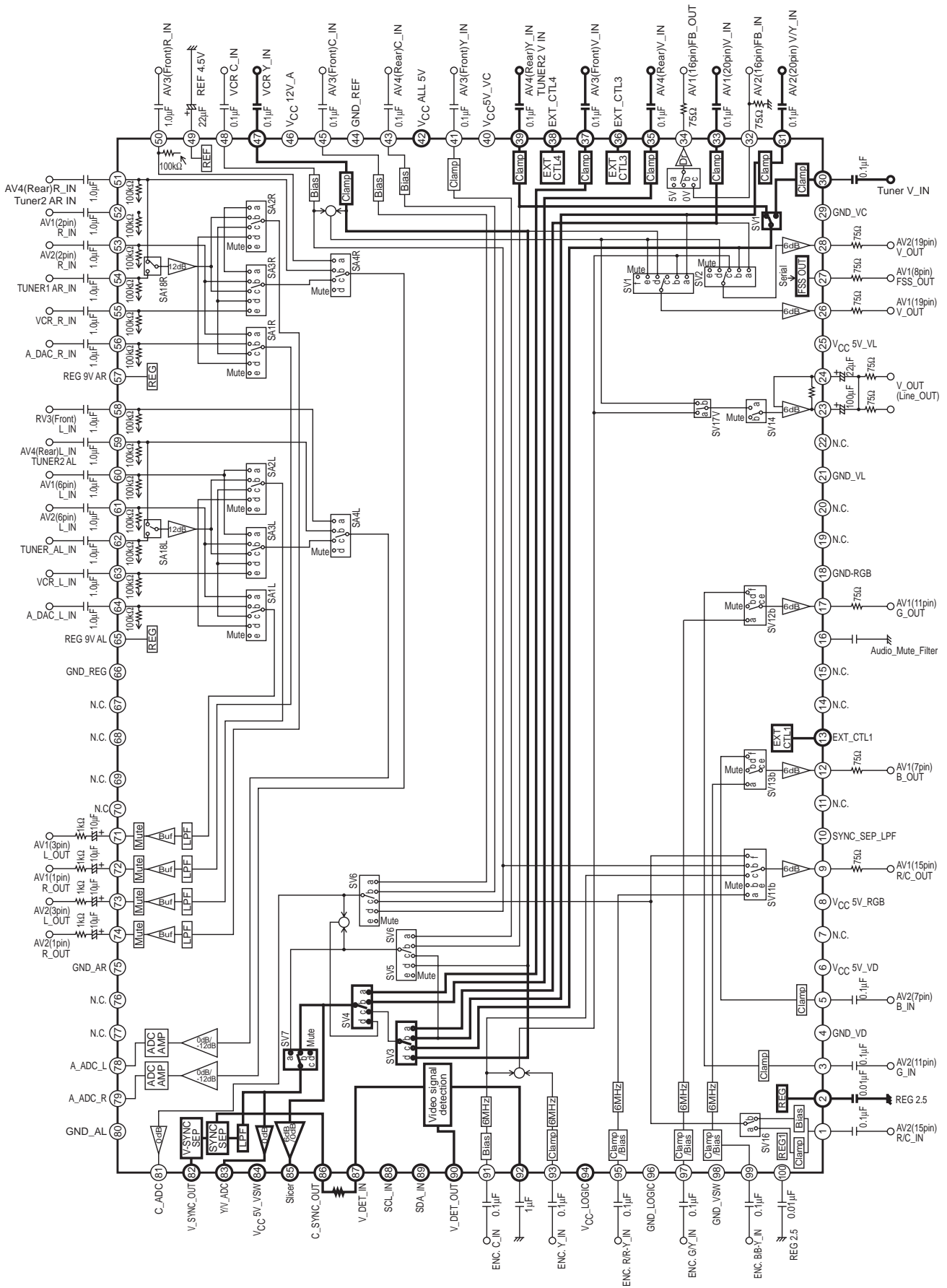
\* The thick line indicates the circuit operative in the power save mode.

In the power save mode, 5V is applied to Pin 42 ( $V_{CC5\_All}$ ), pin 84 ( $V_{CC5V\_VSW}$ ), and pin 94 ( $V_{CC\_LOGIC}$ ) only.



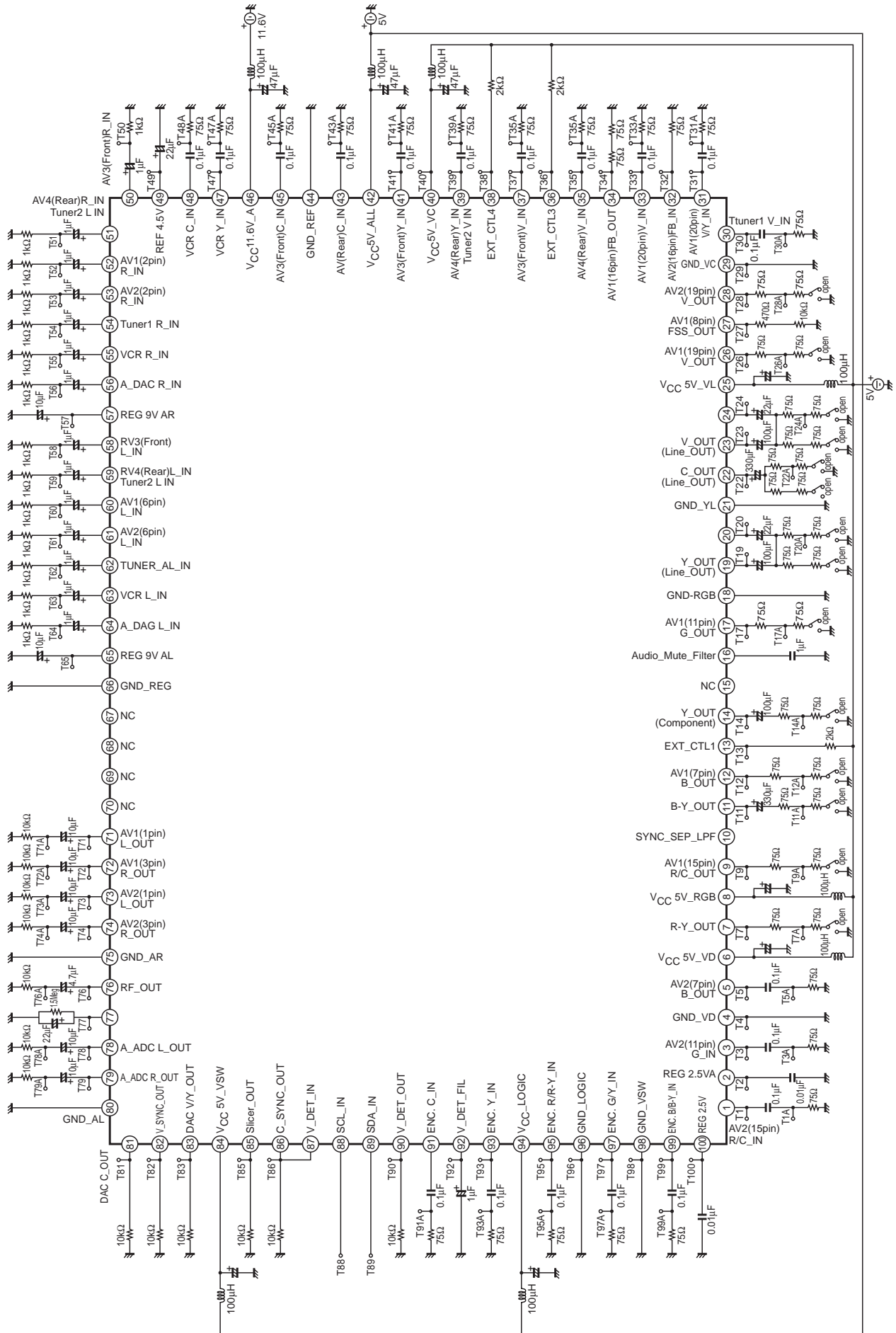
# LV71081E

## Block Diagram





Test Circuit



**Cautions for Use**

1. Drive capacity of video driver

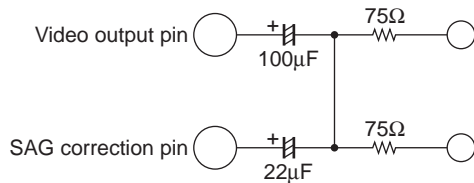
Line and component outputs can drive two system through capacitive coupling.

Scart output can drive one system only through DC coupling.

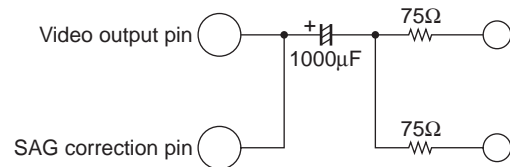
2. Application not using the SAG correction function in the video driver with SAG correction

When the SAG correction function is not to be used in the video driver with SAG correction, short-circuit output and correction pins for output through capacitive coupling.

Application using SAG correction function



Application without using SAG correction function



3. Treatment of the pin when Audio RF\_MOD output is not used

When RF MOD OUT (Pin76) is not used, it is recommended to pull up the ALC filter pin (pin77) to V<sub>CC</sub> (11.6V).

4. Audio Mute

This IC incorporates a mute transistor to reduce the POP noise of audio output when power is turned ON/OFF.

Mute control can be made by serial control.

5. Resistor to limit the Audio input

When the large signal is input in the input pin with power OFF, cross-talk between input and output occurs through the protective diode and parasitic elements. Because of the structure of LSI, such cross-talk is difficult to avoid. If cross-talk at a time of power OFF presents a problem, the cross-talk amount can be reduced by inserting the limiting resistor in the input. In this case, the input signal level changes depending on the resistance value. Determine the constant while taking both the cross-talk amount and input level into account.

6. Pin treatment when external control is not to be used

When external control pins (Pins 13, 36, and 38) are not used, pull-down to GND is recommended.

7. Pin treatment of N.C pin

It is recommended to connect N.C. pins (Pins 67, 68, 69, and 70) directly to the GND.

8. Audio 9V\_REG pin external capacitance

Use the Audio 9V\_REG pins (pins 57 and 66) external capacitance of 10µF or more and with the equivalent series resistance component of 7Ω or less.

9. Power application and disconnection sequences

The recommended power application sequence to this IC is V<sub>CC</sub>ALL5V (Pin42) → V<sub>CC</sub>5V (Pins 6, 8, 25, 40, 84 and 94), V<sub>CC</sub>11.6V (Pin46).

(No particular order is established between V<sub>CC</sub>5V and V<sub>CC</sub>11.6V.) It is recommended to reverse the above sequence when power supply is turned OFF.

# LV71081E

## Serial Control Table

\* indicates initial.

| ADDRESS   |     | 8   | 7 | 6 | 5 | 4 | 3 | 2 | 1 |   |  |  | Remarks |               |                    |
|---|-----|-----|---|---|---|---|---|---|---|---|--|--|---------|---------------|--------------------|
| Group 1<br>00000001<br>VIDEO<br>CANAL-SW<br>VIDEO | SV1 |     |   |   |   |   |   |   |   |   |  |  | SV1     |               |                    |
|   |     |     |   |   |   |   |   | 0 | 0 | 0 |  |  |         | V (AV2)       | *                  |
|   |     |     |   |   |   |   |   | 0 | 0 | 1 |  |  |         | Y+C MIX (ENC) | PB                 |
|   |     |     |   |   |   |   |   | 0 | 1 | 0 |  |  |         | Y (ENC)       | PB (SCART Y/C)     |
|   |     |     |   |   |   |   |   | 0 | 1 | 1 |  |  |         | Y (VCR)       | PB (VCR SCART Y/C) |
|   |     |     |   |   |   |   |   | 1 | 0 | 0 |  |  |         | CV (VCR)      | PB (VCR)           |
|   |     |     |   |   |   |   |   | 1 | 0 | 1 |  |  |         | MUTE          |                    |
|   |     |     |   |   |   |   |   | 1 | 1 | * |  |  |         | PROHIBIT      |                    |
|   |     | SV2 |   |   |   |   |   |   |   |   |  |  |         | SV2           |                    |
|   |     |     |   |   | 0 | 0 | 0 |   |   |   |  |  |         | V (AV1)       | *                  |
|   |     |     |   |   | 0 | 0 | 1 |   |   |   |  |  |         | V (TU)        |                    |
|   |     |     |   |   | 0 | 1 | 0 |   |   |   |  |  |         | Y+C MIX (ENC) | PB                 |
|   |     |     |   |   | 0 | 1 | 1 |   |   |   |  |  |         | CV (VCR)      | PB (VCR)           |
|   |     |     |   |   | 1 | 0 | 0 |   |   |   |  |  |         | MUTE          |                    |
|   |     |     |   |   | 1 | 0 | 1 |   |   |   |  |  |         | and after     | PROHIBIT           |
|   |     | SV3 |   |   |   |   |   |   |   |   |  |  |         | SV3           |                    |
|   |     |     |   | 0 | 0 |   |   |   |   |   |  |  |         | V (AV1)       |                    |
|   |     |     |   | 0 | 1 |   |   |   |   |   |  |  |         | V (AV2)       | *                  |
|   |     |     |   | 1 | 0 |   |   |   |   |   |  |  |         | V (TU)        |                    |
|   |     |     |   | 1 | 1 |   |   |   |   |   |  |  |         | Y (VCR)       | PB                 |

| ADDRESS                                  |     | 8               | 7 | 6 | 5 | 4 | 3 | 2 | 1 |   |   |  | Remarks |                   |          |          |
|--|-----|-----------------|---|---|---|---|---|---|---|---|---|--|---------|-------------------|----------|----------|
| Group 2<br>00000010<br>VIDEO<br>INPUT-SW | SV4 |                 |   |   |   |   |   |   |   |   |   |  | SV4     |                   |          |          |
|  |     |                 |   |   |   |   |   |   | 0 | 0 |   |  |         | V (AV3)           |          |          |
|  |     |                 |   |   |   |   |   |   |   | 0 | 1 |  |         | V (AV4)           |          |          |
|  |     |                 |   |   |   |   |   |   |   | 1 | 0 |  |         | SV3-OUT           | *        |          |
|  |     |                 |   |   |   |   |   |   |   | 1 | 1 |  |         | SV5/6 MIX         |          |          |
|  |     | SV5/6           |   |   |   |   |   |   |   |   |   |  |         | SV5               | SV6      |          |
|  |     |                 |   |   |   | 0 | 0 | 0 |   |   |   |  |         | Y (AV3)           | C (AV3)  | FRONT    |
|  |     |                 |   |   |   | 0 | 0 | 1 |   |   |   |  |         | Y (AV4)           | C (AV4)  | REAR     |
|  |     |                 |   |   |   | 0 | 1 | 0 |   |   |   |  |         | Y (AV2)           | C (AV2)  | SCART-YC |
|  |     |                 |   |   |   | 0 | 1 | 1 |   |   |   |  |         | Y (VCR)           | C (VCR)  |          |
|  |     |                 |   |   |   | 1 | 0 | 0 |   |   |   |  |         | MUTE              | MUTE     | *        |
|  |     |                 |   |   |   | 1 | 0 | 1 |   |   |   |  |         | and after         | PROHIBIT | PROHIBIT |
|  |     | SV7             |   |   |   |   |   |   |   |   |   |  |         | SV7               |          |          |
|  |     |                 |   | 0 | 0 |   |   |   |   |   |   |  |         | Y                 |          |          |
|  |     |                 |   | 0 | 1 |   |   |   |   |   |   |  |         | CV                |          |          |
|  |     |                 |   | 1 | 0 |   |   |   |   |   |   |  |         | MUTE              |          | *        |
|  |     |                 |   | 1 | 1 |   |   |   |   |   |   |  |         | MUTE              |          |          |
|  |     | SV16<br>Note 1) |   |   |   |   |   |   |   |   |   |  |         | SV16              |          |          |
|  |     |                 |   | 0 |   |   |   |   |   |   |   |  |         | THROUGH           |          | *        |
|  |     |                 |   | 1 |   |   |   |   |   |   |   |  |         | CLAMP input fixed |          |          |

Note 1) G2D8/G3D8 = "11" is prohibited. Follow the AV2 (16) FB\_IN (Pin32) control in case of THROUGH.

AV2\_16pin SV16

H a : Clamp input (RGB)

L b : Bias input (COMPONENT)

# LV71081E

| ADDRESS                                 | 8   | 7 | 6 | 5 | 4 | 3 | 2 | 1         |                                 |          |          | Remarks                |                        |   |
|---|---|---|---|---|---|---|---|-----------|---------------------------------|----------|----------|------------------------|------------------------|---|
| 12/27MHz<br>LPF SW                      |   |   |   |   |   |   |   |           |                                 |          |          |                        |                        |   |
|   |   |   |   |   |   |   |   | 0         |                                 |          |          | x = 12MHz              | *                      |   |
|   |   |   |   |   |   |   |   | 1         |                                 |          |          | x = 27MHz              |                        |   |
| RGB output                              |   |   |   |   |   |   |   |           | SV11b                           | SV12b    | SV13b    |                        |                        |   |
|   |   |   |   |   |   |   | 0 |           | According to G3D3/D4/D5 control |          |          |                        |                        |   |
|   |   |   |   |   |   |   | 1 |           | AV2_R                           | AV2_G    | AV2_B    | f : AV2_RGB (EXTERNAL) | *                      |   |
| N/A                                     |   |   |   |   |   |   |   |           |                                 |          |          |                        |                        |   |
|   |   |   |   | 0 | 0 | 0 |   |           | N/A                             | N/A      | N/A      |                        | *                      |   |
|   |   |   |   | 0 | 0 | 1 |   |           | N/A                             | N/A      | N/A      |                        |                        |   |
|   |   |   |   | 0 | 1 | 0 |   |           | N/A                             | N/A      | N/A      |                        |                        |   |
|   |   |   |   | 0 | 1 | 1 |   |           | N/A                             | N/A      | N/A      |                        |                        |   |
|   |   |   |   | 1 | 0 | 0 |   |           | N/A                             | N/A      | N/A      |                        |                        |   |
|   |   |   |   | 1 | 0 | 1 |   |           | N/A                             | N/A      | N/A      |                        |                        |   |
|   |   |   |   | 1 | 1 | 0 |   | and after | PROHIBIT                        | PROHIBIT | PROHIBIT |                        |                        |   |
| Group 3<br>00000011<br>VIDEO<br>OTHER-1 | SV11b<br>SV12b<br>SV13b<br><br>* effective at<br>G3D2 = "0" |   |   |   |   |   |   |           | SV11b                           | SV12b    | SV13b    |                        |                        |   |
|   |   |   |   |   | 0 | 0 | 0 |           |                                 | ENC_R    | ENC_G    | ENC_B                  | a : ENC_RGB (6MLPF)    | * |
|   |   |   |   |   | 0 | 0 | 1 |           |                                 | MUTE     | MUTE     | MUTE                   | b : mute               |   |
|   |   |   |   |   | 0 | 1 | 0 |           |                                 | ENC_C    | MUTE     | MUTE                   | c : ENC_C              |   |
|   |   |   |   |   | 0 | 1 | 1 |           |                                 | VCR_C    | MUTE     | MUTE                   | d : VCR_C              |   |
|   |   |   |   |   | 1 | 0 | 0 |           |                                 | MUTE     | MUTE     | MUTE                   | e : mute               |   |
|   |   |   |   |   | 1 | 0 | 1 |           |                                 | AV2_R    | AV2_G    | AV2_B                  | f : AV2_RGB (EXTERNAL) |   |
|   |   |   |   |   | 1 | 1 | 0 |           | and after                       | PROHIBIT | PROHIBIT | PROHIBIT               |                        |   |
| SV14                                    |   |   |   |   |   |   |   |           | SV14                            |          |          |                        |                        |   |
|   |   |   | 0 |   |   |   |   |           | CV (PB)                         |          |          | PB                     |                        |   |
|   |   |   | 1 |   |   |   |   |           | MUTE                            |          |          |                        | *                      |   |
| N/A                                     |   |   |   |   |   |   |   |           |                                 |          |          |                        |                        |   |
|   |   | 0 |   |   |   |   |   |           | N/A                             | N/A      |          |                        |                        |   |
|   | 1   |   |   |   |   |   |   |           | MUTE                            | MUTE     |          |                        | *                      |   |
| SV16<br>Note 1)                         |   |   |   |   |   |   |   |           | SV16                            |          |          |                        |                        |   |
|   | 0   |   |   |   |   |   |   |           | THROUGH                         |          |          |                        |                        |   |
|   | 1   |   |   |   |   |   |   |           | BIAS input fixed                |          |          |                        | *                      |   |

Note 1) G2D8/G3D8 = "11" is prohibited. Follow the AV2 (16) FB\_IN (Pin32) control in case of THROUGH.

AV2\_16pin SV16

H a : Clamp input (RGB)

L b : Bias input (COMPONENT)

# LV71081E

| ADDRESS   |                     | 8 | 7 | 6 | 5 | 4 | 3 | 2 | 1 |               |                  |             | Remarks                   |          |  |
|---|---------------------|---|---|---|---|---|---|---|---|---------------|------------------|-------------|---------------------------|----------|--|
| Group 4<br>00000100<br>VIDEO<br>&<br>AUDIO<br>OTHER-1 | SV17                |   |   |   |   |   |   |   |   | SV17 (V/C/Y)  | SA17 (L/R)       |             |                           |          |  |
|   | DVD/VCR<br>Note 2)  |   |   |   |   |   |   |   | 0 | Y+C MIX (ENC) | AUDIO (DAC)      |             | PB (DVD)                  | *        |  |
|   |                     |   |   |   |   |   |   |   |   | 1             | Y+C MIX (VCR)    | AUDIO (VCR) |                           | PB (VCR) |  |
|   | SV18                |   |   |   |   |   |   |   |   | SV18          | SA18 (L/R)       |             |                           |          |  |
|   | TUNER1/2<br>Note 2) |   |   |   |   |   |   |   | 0 | Tuner1        | Tuner1           |             |                           | *        |  |
|   |                     |   |   |   |   |   |   |   |   | 1             | Tuner2           | Tuner2      |                           |          |  |
|   | FB                  |   |   |   |   |   |   |   |   | SWF           |                  |             |                           |          |  |
|   | AV1 (16)            |   |   |   |   |   |   |   | 0 | 0             |                  |             |                           |          |  |
|   |                     |   |   |   |   |   |   |   | 0 | 1             |                  |             |                           |          |  |
|   |                     |   |   |   |   |   |   |   | 1 | 0             | THROUGH          |             |                           | *        |  |
|   |                     |   |   |   |   |   |   |   | 1 | 1             | THROUGH          |             |                           |          |  |
|   | FSS                 |   |   |   |   |   |   |   |   |               | FSS-OUT          |             |                           |          |  |
|   | AV1 (8)<br>Note 3)  |   |   |   | 0 | 0 |   |   |   |               | LOW (0.5V)       |             |                           | *        |  |
|   |                     |   |   |   | 0 | 1 |   |   |   |               | MID (6.0V)       |             |                           |          |  |
|   |                     |   |   |   | 1 | 0 |   |   |   |               | HIGH (11.0V)     |             |                           |          |  |
|   |                     |   |   |   | 1 | 1 |   |   |   |               | HIGH (11.0V)     |             |                           |          |  |
|   | SLICE AMP           |   |   |   |   |   |   |   |   |               | SLICE AMP gain   |             |                           |          |  |
|   |                     |   |   |   |   |   |   |   |   | 0             | 0dB              |             |                           | *        |  |
|   |                     |   |   |   |   |   |   |   |   | 1             | 6dB              |             |                           |          |  |
|   | A-MUTE<br>Note 4)   |   |   |   |   |   |   |   |   |               | All MUTE (Audio) |             |                           |          |  |
|   |                     |   |   |   |   |   |   |   | 0 | THROUGH       |                  |             |                           |          |  |
|   |                     |   |   |   |   |   |   |   | 1 | MUTE          |                  |             | Pins 71 to 74 output MUTE | *        |  |

Note 2) Operates in VIDEO/AUDIO interlock.

Note 3) Same polarity as the AV2 (16) FB\_IN (Pin32) control in case of THROUGH.

Note 4) AUDIO MUTE control

RF\_MOD output : Serial control MUTE, Power-ON\_MUTE

CANAL output : Serial control MUTE, Power-ON\_MUTE

| ADDRESS                                  |        | 8 | 7 | 6 | 5 | 4 | 3 | 2 | 1 |      |           |           | Remarks  |          |
|--|--------|---|---|---|---|---|---|---|---|------|-----------|-----------|----------|----------|
| Group 5<br>00000101<br>AUDIO<br>CANAL-SW | SA1L/R |   |   |   |   |   |   |   |   | SA1L | SA1R      |           |          |          |
|  |        |   |   |   |   |   |   |   | 0 | 0    | 0         | L (AV2)   | R (AV2)  | *        |
|  |        |   |   |   |   |   |   |   | 0 | 0    | 1         | L (DAC)   | R (DAC)  | PB (DAC) |
|  |        |   |   |   |   |   |   |   | 0 | 1    | 0         | L (DAC)   | R (DAC)  | PB (DAC) |
|  |        |   |   |   |   |   |   |   | 0 | 1    | 1         | L (VCR)   | R (VCR)  | PB (VCR) |
|  |        |   |   |   |   |   |   |   | 1 | 0    | 0         | MUTE      | MUTE     |          |
|  |        |   |   |   |   |   |   |   | 1 | 0    | 1         | PROHIBIT  | PROHIBIT |          |
|  |        |   |   |   |   |   |   |   |   |      | and after |           |          |          |
|  | SA2L/R |   |   |   |   |   |   |   |   |      |           | SA2L      | SA2R     |          |
|  |        |   |   |   | 0 | 0 | 0 |   |   |      |           | L (AV1)   | R (AV1)  | *        |
|  |        |   |   |   | 0 | 0 | 1 |   |   |      |           | L (TU)    | R (TU)   |          |
|  |        |   |   |   | 0 | 1 | 0 |   |   |      |           | L (DAC)   | R (DAC)  | PB       |
|  |        |   |   |   | 0 | 1 | 1 |   |   |      |           | L (VCR)   | R (VCR)  | PB       |
|  |        |   |   |   | 1 | 0 | 0 |   |   |      |           | MUTE      | MUTE     |          |
|  |        |   |   |   | 1 | 0 | 1 |   |   |      |           | PROHIBIT  | PROHIBIT |          |
|  |        |   |   |   |   |   |   |   |   |      |           | and after |          |          |
|  | SA4L/R |   |   |   |   |   |   |   |   |      |           | SA4L      | SA4R     |          |
|  |        |   |   |   |   |   |   |   |   | 0    | 0         | L (AV3)   | R (AV3)  |          |
|  |        |   |   |   |   |   |   |   |   | 0    | 1         | L (AV4)   | R (AV4)  |          |
|  |        |   |   |   |   |   |   |   |   | 1    | 0         | SL3 out   | SR3 out  | *        |
|  |        |   |   |   |   |   |   |   | 1 | 1    | MUTE      | MUTE      |          |          |

# LV71081E

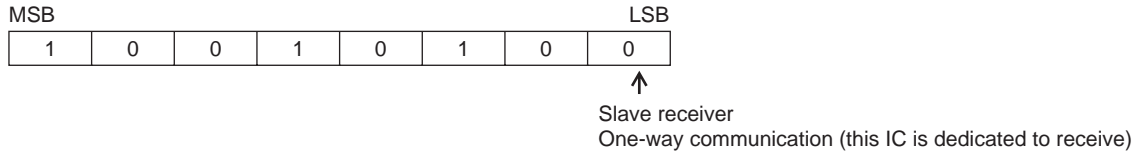
| ADDRESS  |         | 8 | 7 | 6 | 5         | 4 | 3 | 2 | 1 |          |              |          | Remarks |   |
|--|---------|---|---|---|-----------|---|---|---|---|----------|--------------|----------|---------|---|
| Group 6<br>00000110<br>AUDIO<br>INPUT-SW<br>MUTE | SA3L/R  |   |   |   |           |   |   |   |   | SA3L     | SA3R         |          |         |   |
|  |         |   |   |   |           |   | 0 | 0 | 0 | L (AV1)  | R (AV1)      |          |         |   |
|  |         |   |   |   |           |   | 0 | 0 | 1 | L (AV2)  | R (AV2)      |          | *       |   |
|  |         |   |   |   |           |   | 0 | 1 | 0 | L (TU)   | R (TU)       |          |         |   |
|  |         |   |   |   |           |   | 0 | 1 | 1 | L (DAC)  | R (DAC)      |          | PB      |   |
|  |         |   |   |   |           |   | 1 | 0 | 0 | L (VCR)  | R (VCR)      |          |         |   |
|  |         |   |   |   | and after |   |   | 1 | 0 | 1        | PROHIBIT     | PROHIBIT |         |   |
|  | N/A     |   |   |   |           | 0 |   |   |   |          | N/A          |          |         |   |
|  |         |   |   |   |           | 1 |   |   |   |          | N/A          |          |         | * |
|  | N/A     |   |   |   | 0         | 0 |   |   |   |          | N/A          |          |         |   |
|  |         |   |   |   | 0         | 1 |   |   |   |          | N/A          |          |         | * |
|  |         |   |   |   | 1         | 0 |   |   |   |          | N/A          |          |         |   |
|  |         |   |   |   | 1         | 1 |   |   |   |          | PROHIBIT     |          |         |   |
|  | ADC-AMP |   |   |   |           |   |   |   |   |          | ADC-AMP-gain |          |         |   |
|  |         | 0 | 0 |   |           |   |   |   |   |          | 6.0dB        |          |         |   |
|  |         | 0 | 1 |   |           |   |   |   |   |          | 5.5dB        |          |         | * |
| 1  |         | 0 |   |   |           |   |   |   |   | 5.0dB    |              |          |         |   |
|  |         |   |   |   |           |   |   |   |   | PROHIBIT |              |          |         |   |

| ADDRESS             |  | 8 | 7 | 6 | 5 | 4                | 3 | 2 | 1 |               |                     |                   | Remarks             |                      |
|---------------------|--|---|---|---|---|------------------|---|---|---|---------------|---------------------|-------------------|---------------------|----------------------|
| Group 7<br>00000111 | AUDIO<br>EVR-L                             |   |   |   |   |                  |   |   |   | Audio EVR (L) |                     |                   |                     |                      |
|                     |  |   |   | 0 | 0 | 0                | 0 | 0 | 0 | 0             | 0dB                 |                   |                     |                      |
|                     |  |   |   | 0 | 0 | 1                | 1 | 0 | 0 |               | -12dB               |                   |                     |                      |
|                     |  |   |   | 1 | 1 | 1                | 1 | 1 | 1 |               | Mute                |                   |                     | Pin 78 output MUTE * |
|                     |  |   |   |   |   | Other than above |   |   |   |               | PROHIBIT            |                   |                     |                      |
|                     | General<br>purpose 1                       |   |   |   |   |                  |   |   |   |               | EXT_CTL1 (Pin13)    |                   |                     |                      |
|                     |  | 0 |   |   |   |                  |   |   |   |               | L                   |                   |                     | General purpose OUT1 |
|                     |  | 1 |   |   |   |                  |   |   |   |               | H                   |                   |                     | *                    |
|                     | Changeover of<br>VIDEO input<br>BIAS/CLAMP |   |   |   |   |                  |   |   |   |               | R/R-Y_IN<br>(Pin95) | G/Y_IN<br>(Pin97) | B/B-Y_IN<br>(Pin99) | Input changeover     |
|                     |  | 0 |   |   |   |                  |   |   |   |               | BIAS input          | CLAMP input       | BIAS input          | Component            |
| 1                   |  |   |   |   |   |                  |   |   |   | CLAMP input   | CLAMP input         | CLAMP input       | RGB *               |                      |

| ADDRESS             |                      | 8 | 7 | 6 | 5 | 4                | 3 | 2 | 1 |               |                  |  | Remarks |                        |
|---------------------|----------------------|---|---|---|---|------------------|---|---|---|---------------|------------------|--|---------|------------------------|
| Group 8<br>00001000 | AUDIO<br>EVR-R       |   |   |   |   |                  |   |   |   | Audio EVR (R) |                  |  |         |                        |
|                     |                      |   |   | 0 | 0 | 0                | 0 | 0 | 0 | 0             | 0dB              |  |         |                        |
|                     |                      |   |   | 0 | 0 | 1                | 1 | 0 | 0 |               | -12dB            |  |         |                        |
|                     |                      |   |   | 1 | 1 | 1                | 1 | 1 | 1 |               | Mute             |  |         | Pin 79 output MUTE *   |
|                     |                      |   |   |   |   | Other than above |   |   |   |               | PROHIBIT         |  |         |                        |
|                     | General<br>purpose 3 |   |   |   |   |                  |   |   |   |               | EXT_CTL3 (Pin36) |  |         |                        |
|                     |                      | 0 |   |   |   |                  |   |   |   |               | L                |  |         | General purpose OUT3 * |
|                     |                      | 1 |   |   |   |                  |   |   |   |               | H                |  |         |                        |
|                     | General<br>purpose 4 |   |   |   |   |                  |   |   |   |               | EXT_CTL4 (Pin38) |  |         |                        |
|                     |                      | 0 |   |   |   |                  |   |   |   |               | L                |  |         | General purpose OUT4 * |
|                     | 1                    |   |   |   |   |                  |   |   |   | H             |                  |  |         |                        |

**Serial Control Specification**

1. Slave address



2. DATA TRANSFER MANUAL : [1] is High level. [0] is Low level.

I<sup>2</sup>C-BUS control system is adopted in SW LSI. SW LSI is controlled by SCL (Serial Clock) and SDA (Serial Data) At first, please set up the START condition<sup>\*1</sup> by these two terminals (SCL and SDA). And next, please input the 8bits data, which should be synchronized with SCL into SDA terminal. Still more, please give priority to high rank bit at data transfer order (MSB→LSB). The 9th bit is called as ACK (Acknowledge), SW LSI sends [0] to the SDA terminal during SCL [1] period. So, please open the port of microprocessor during this period. LV71081E adopt auto-increment, so you input only first group-address and you can transfer data in order. As thus the Data transfer Stop condition<sup>\*2</sup> is finished.

<sup>\*1</sup> SDA rise up during SCI is [1]

<sup>\*2</sup> SDA fall down during SCL is [1]

3. TRANSFER DATA FORMAT

The transfer data is composed by START condition, Slave address, Group address<sup>\*1</sup>, data, and STOP condition. After setting up the START condition, please transfer the Slave Address (regulated as “1001000” in SW LSI). Group and next control data<sup>\*2</sup> (Please see the Fig.1) Slave Address is composed by 7bits, and this bit 8th bit<sup>\*3</sup> should be set as [0].

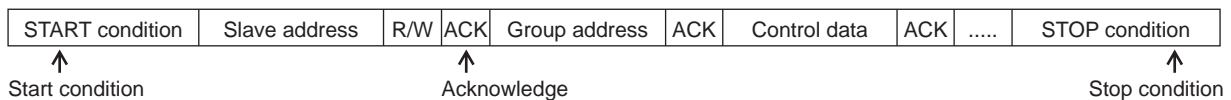
The both of Group address and control data are composed by 8bits, and the one control action is defined with combination of these two data. And if you want to control 2 or more groups at the same mode, you can realize it by sending some control data together.

The data makes meaning with all bits, so you cannot stop the sending until all data transfer is over. But LV71081E adopt auto-increment, for example you can stop to transfer STOP condition after group 2 data. If you want to stop transfer action, please transfer the STOP condition without fail.

<sup>\*1/2</sup> There are 8 control groups.

<sup>\*3</sup> This 8th bit called as R/W bit, and this bit shows the data transmission direction. [0] means send mode (accept mode with SW LSI) and [1] means accept mode (send mode with SW LSI) fundamentally. But SW LSI is not equipped with such a data out function, please keep this bit as [0].

Fig. 1 DATA STRUCTURE



# LV71081E

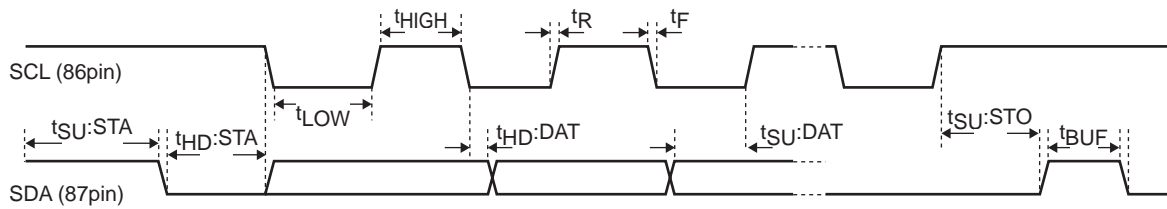
## 4. INITIALIZE AND OTHERS

SW LSI is initialized as the following mode for circuit protection. Please see “SERIAL CONTROL TABLE”.

### Characteristics of the SDA and SCL I/O stages for SW LSI

| Parameter   | Symbol         | Min | Max | Unit    |
|---|----------------|-----|-----|---------|
| LOW level input voltage   | $V_{IL}$       | 0   | 0.8 | V       |
| HIGH level input voltage  | $V_{IH}$       | 3.0 | 5.0 | V       |
| LOW level output current  | $I_{OL}$       |     | 3.0 | mA      |
| SCL clock frequency   | $f_{SCL}$      |     | 400 | kHz     |
| Set-up time for a repeated START condition  | $t_{SU} : STA$ | 0.6 |     | $\mu s$ |
| Hold time START condition. After this period, the first clock pulse is generated. | $t_{HD} : STA$ | 0.6 |     | $\mu s$ |
| LOW period of the SCL clock   | $t_{LOW}$      | 1.3 |     | $\mu s$ |
| Rise time of both SDA and SDL signals   | $t_R$          | 0   | 0.3 | $\mu s$ |
| HIGH period of the SCL clock  | $t_{HIGH}$     | 0.6 |     | $\mu s$ |
| Fall time of both SDA and SDL signals   | $t_F$          | 0   | 0.3 | $\mu s$ |
| Data hold time:   | $t_{HD} : DAT$ | 0   | 0.9 | $\mu s$ |
| Data set-up time  | $t_{SU} : DAT$ | 100 |     | ns      |
| Set-up time for STOP condition  | $t_{SU} : STO$ | 0.6 |     | $\mu s$ |
| BUS fredd time between a STOP and START condition                                 | $t_{BUF}$      | 1.3 |     | $\mu s$ |

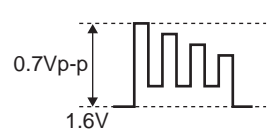
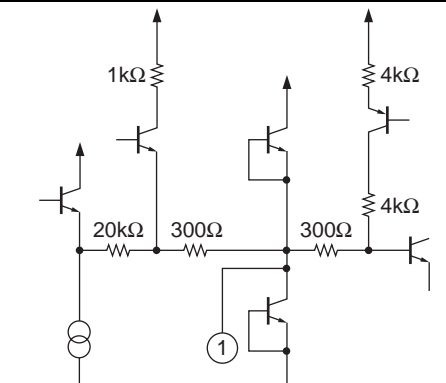
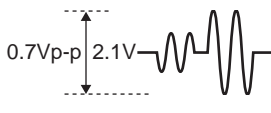
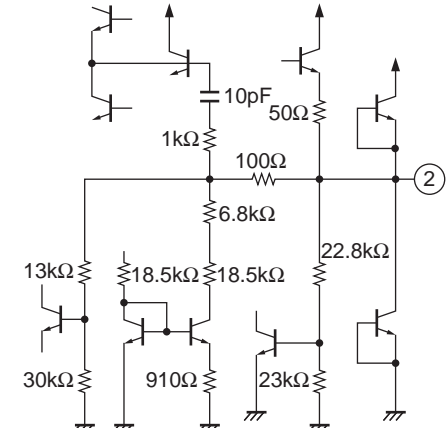
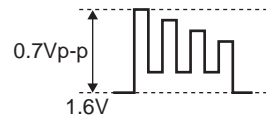
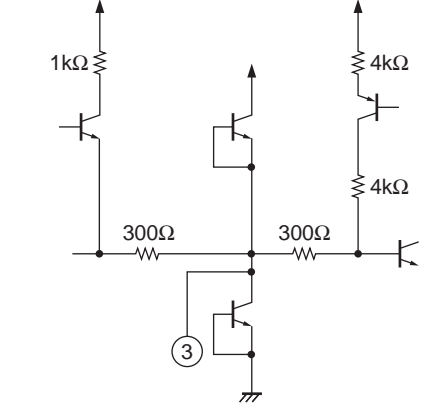
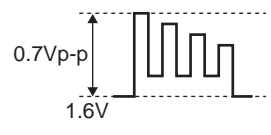
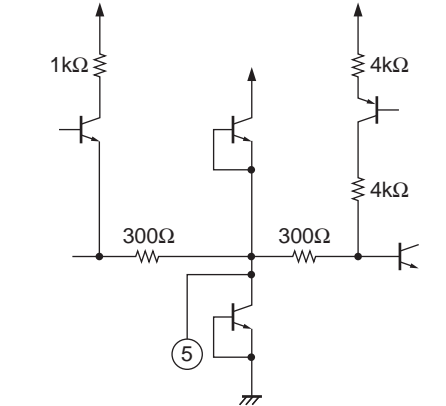
Fig.2 Definition of timing.





# LV71081E

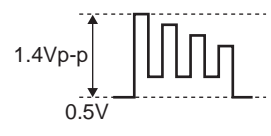
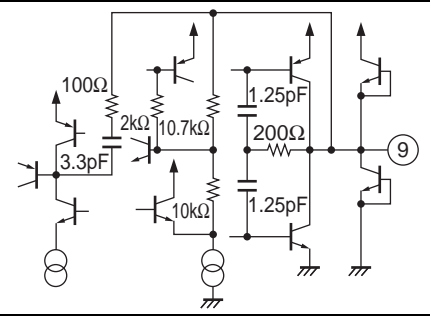
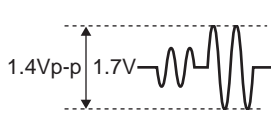
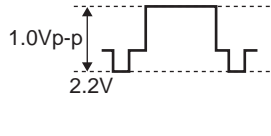
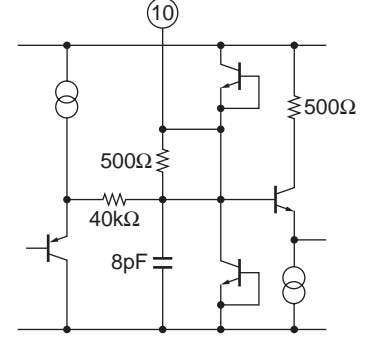
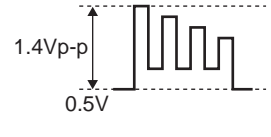
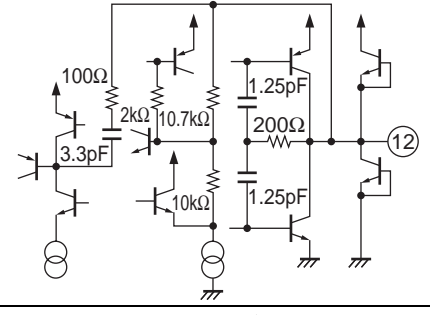
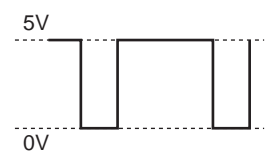
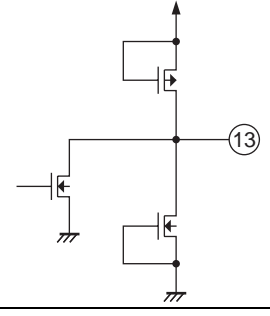
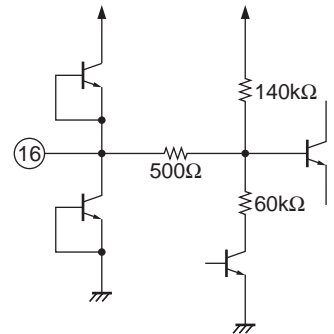
## Pin Function

| Pin No. | Pin name               | DC voltage  | Signal wave form  | In put/Out put form  |
|---------|------------------------|-------------|---|--|
| P1      | AV2R/C_IN              | 1.6V R      |    |    |
|         |                        | 2.1V Chroma |    |  |
| P2      | REG 2.5VA              | 2.5V        | DC  |   |
| P3      | AV2 G_IN               | 1.6V G      |  |  |
| P4      | GND_VD                 |             |   |  |
| P5      | AV2 B_IN               | 1.6V B      |  |  |
| P6      | V <sub>CC</sub> 5V_VD  |             |   |  |
| P7      | N.C.                   |             |   |  |
| P8      | V <sub>CC</sub> 5V_RGB |             |   |  |

Continued on next page.

# LV71081E

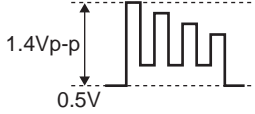
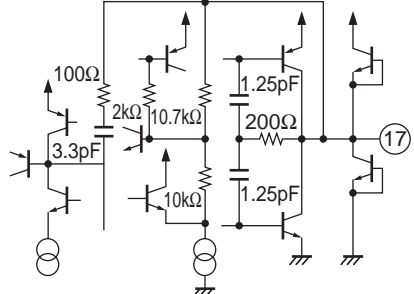
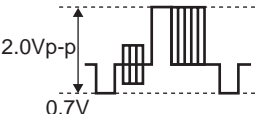
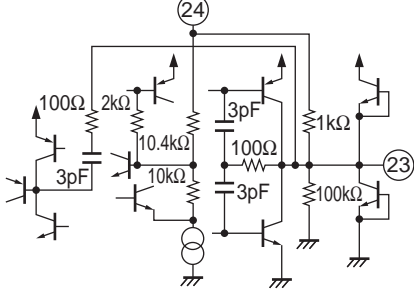
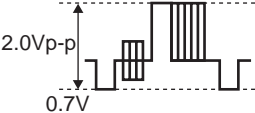
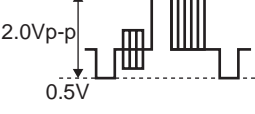
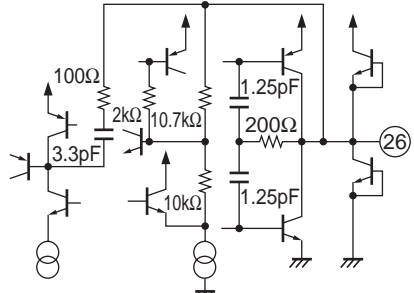
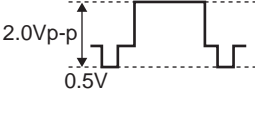
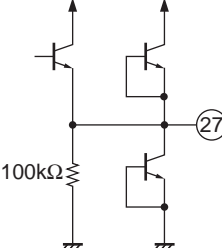
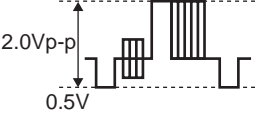
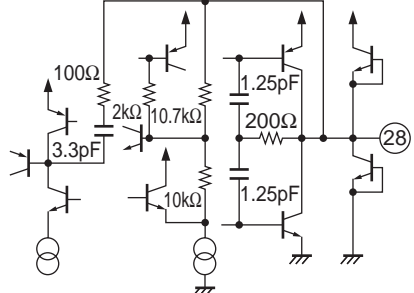
Continued from preceding page.

| Pin No. | Pin name          | DC voltage  | Signal wave form  | In put/Out put form   |
|---------|-------------------|-------------|---|---|
| P9      | AV1 R/C_OUT       | 0.5V R      |    |     |
|         |                   | 1.7V Chroma |    |   |
| P10     | SYNC_SEP_LPF      | 1.0V Y      |    |    |
| P11     | N.C.              |             |   |   |
| P12     | AV1 B_OUT         | 0.5V B      |   |    |
| P13     | EXT_CTL1          |             |  |  |
| P14     | N.C.              |             |   |   |
| P15     | N.C.              |             |   |   |
| P16     | Audio_Mute_Filter |             |   |  |

Continued on next page.

# LV71081E

Continued from preceding page.

| Pin No. | Pin name               | DC voltage                                 | Signal wave form  | In put/Out put form   |
|---------|------------------------|--|---|---|
| P17     | AV1 G_OUT              | 0.5V G                                     |    |     |
| P18     | GND_RGB                |  |   |   |
| P19     | N.C.                   |  |   |   |
| P20     | N.C.                   |  |   |   |
| P21     | GND_VL                 |  |   |   |
| P22     | N.C.                   |  |   |   |
| P23     | V_OUT<br>(Line_OUT)    | 0.7V Video                                 |    |     |
| P24     | V_SAG_IN<br>(Line_OUT) | 0.7V Video                                 |    |   |
| P25     | V <sub>CC</sub> 5V_VL  |  |   |   |
| P26     | AV1 V_OUT              | 0.5V Video                                 |  |   |
|         |                        | 0.5V Y                                     |  |   |
| P27     | AV1 FSS_OUT            | Low : 0.5V<br>Midol : 6.0V<br>High : 11.1V | DC  |  |
| P28     | AV2 V_OUT              | 0.5V Video                                 |  |   |
| P29     | GND_VC                 |  |   |   |

Continued on next page.

# LV71081E

Continued from preceding page.

| Pin No. | Pin name    | DC voltage                             | Signal wave form | In put/Out put form |
|---------|-------------|--|------------------|---------------------|
| P30     | Tuner1 V_IN | 1.6V Video                             |                  |                     |
| P31     | AV2 V/Y_IN  | 1.6V Video                             |                  |                     |
|         |             | 1.6V Y                                 |                  |                     |
| P32     | AV2 FB_IN   |  |                  |                     |
| P33     | AV1 V_IN    | 1.6V Video                             |                  |                     |
| P34     | AV1 FB_OUT  | L : 0V<br>H : 3.8V<br>Through : 0/3.8V |                  |                     |

Continued on next page.

# LV71081E

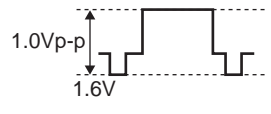
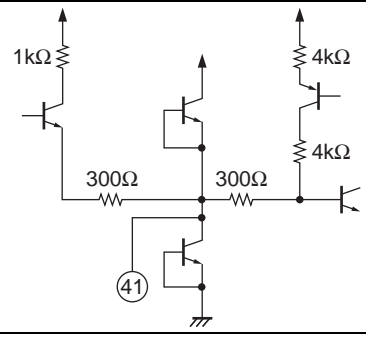
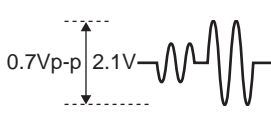
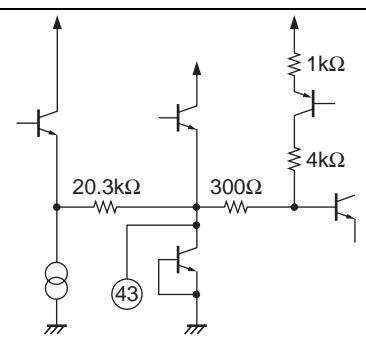
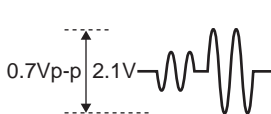
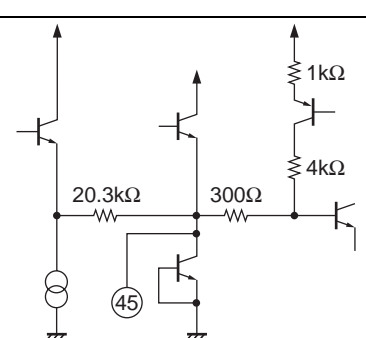
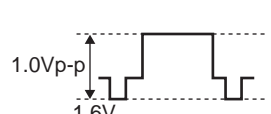
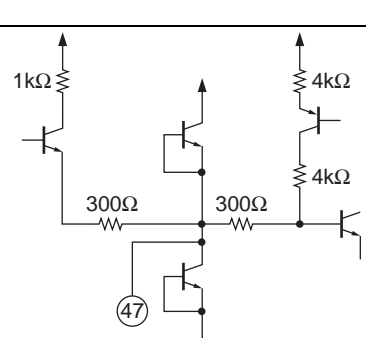
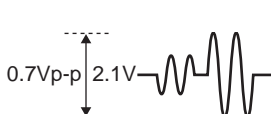
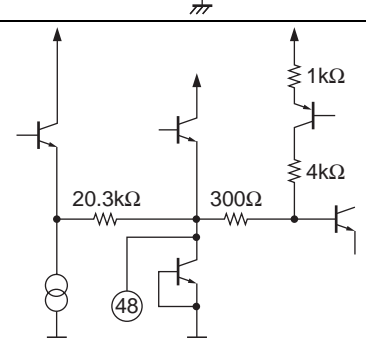
Continued from preceding page.

| Pin No. | Pin name                 | DC voltage | Signal wave form | In put/Out put form |
|---------|--------------------------|------------|------------------|---------------------|
| P35     | AV4 V_IN                 | 1.6V Video |                  |                     |
| P36     | EXT_CTL3                 |            |                  |                     |
| P37     | AV3 V_IN                 | 1.6V Video |                  |                     |
| P38     | EXT_CTL4                 |            |                  |                     |
| P39     | AV4 Y_IN/<br>Tuner2 V_IN | 1.6V Y     |                  |                     |
|         |                          | 1.6V Video |                  |                     |
| P40     | VCC 5V_VC                |            |                  |                     |

Continued on next page.

# LV71081E

Continued from preceding page.

| Pin No. | Pin name                | DC voltage  | Signal wave form  | In put/Out put form   |
|---------|-------------------------|-------------|---|---|
| P41     | AV3 Y_IN                | 1.6V Y      |    |    |
| P42     | V <sub>CC</sub> 5V_ALL  | 5V          | DC  |   |
| P43     | AV4 C_IN                | 2.1V Chroma |    |    |
| P44     | GND_REF                 | 0V          | DC  |   |
| P45     | AV3 C_IN                | 2.1V Chroma |  |   |
| P46     | V <sub>CC</sub> 11.6V_A | 11.6V       | DC  |   |
| P47     | VCR Y_IN                | 1.6V Y      |  |  |
| P48     | VCR C_IN                | 2.1V Chroma |  |  |

Continued on next page.

# LV71081E

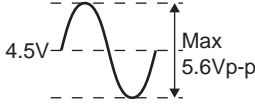
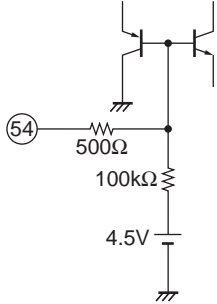
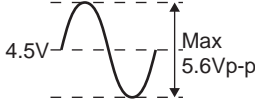
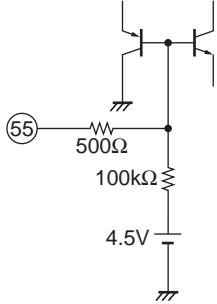
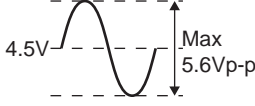
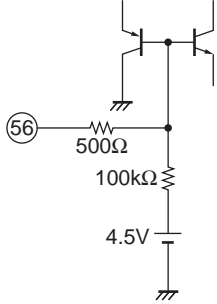
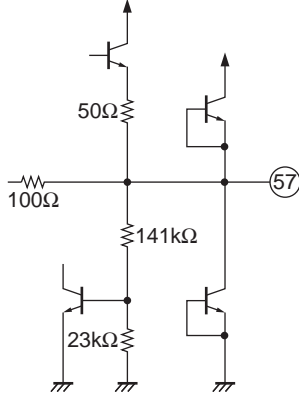
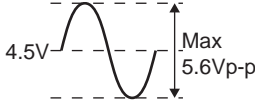
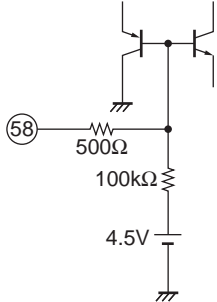
Continued from preceding page.

| Pin No. | Pin name                 | DC voltage | Signal wave form | In put/Out put form |
|---------|--------------------------|------------|------------------|---------------------|
| P49     | REF 4.5V                 | 4.5V       |                  |                     |
| P50     | AV3 R_IN                 | 4.5V       |                  |                     |
| P51     | AV4 R_IN/<br>Tuner2 R_IN | 4.5V       |                  |                     |
| P52     | AV1 R_IN                 | 4.5V       |                  |                     |
| P53     | AV2 R_IN                 | 4.5V       |                  |                     |

Continued on next page.

# LV71081E

Continued from preceding page.

| Pin No. | Pin name    | DC voltage | Signal wave form  | In put/Out put form   |
|---------|-------------|------------|---|---|
| P54     | Tuner1 R_IN | 4.5V       |    |    |
| P55     | VCR R_IN    | 4.5V       |    |    |
| P56     | A_DAC R_IN  | 4.5V       |   |   |
| P57     | REG 9V AR   | 9V         | DC  |  |
| P58     | AV3 L_IN    | 4.5V       |  |  |

Continued on next page.



# LV71081E

Continued from preceding page.

| Pin No. | Pin name                 | DC voltage | Signal wave form | In put/Out put form |
|---------|--------------------------|------------|------------------|---------------------|
| P59     | AV4 L_IN/<br>Tuner2 L_IN | 4.5V       |                  |                     |
| P60     | AV1 L_IN                 | 4.5V       |                  |                     |
| P61     | AV2 L_IN                 | 4.5V       |                  |                     |
| P62     | Tuner1 L_IN              | 4.5V       |                  |                     |
| P63     | VCR L_IN                 | 4.5V       |                  |                     |
| P64     | A_DAC L_IN               | 4.5V       |                  |                     |

Continued on next page.

# LV71081E

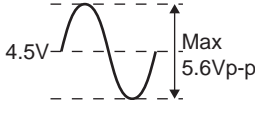
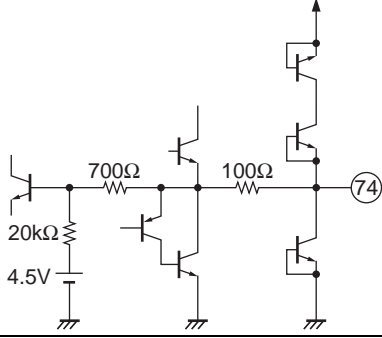
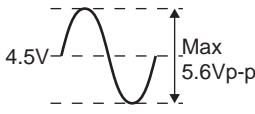
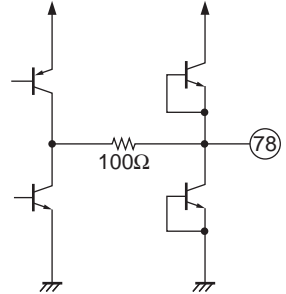
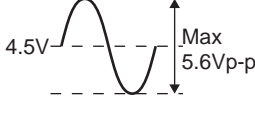
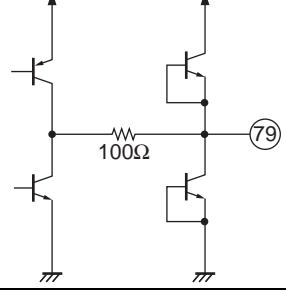
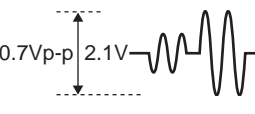
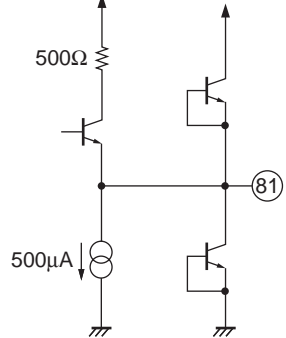
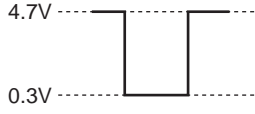
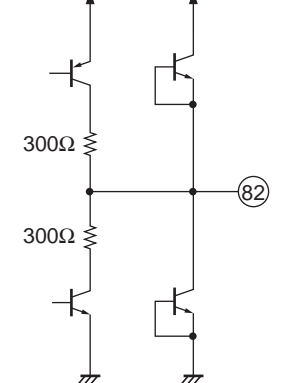
Continued from preceding page.

| Pin No. | Pin name  | DC voltage | Signal wave form | In put/Out put form |
|---------|-----------|------------|------------------|---------------------|
| P65     | REG 9V AL | 9V         | DC               |                     |
| P66     | GND_REG   | 0V         | DC               |                     |
| P67     | N.C.      |            |                  |                     |
| P68     | N.C.      |            |                  |                     |
| P69     | N.C.      |            |                  |                     |
| P70     | N.C.      |            |                  |                     |
| P71     | AV1 L_OUT | 4.5V       |                  |                     |
| P72     | AV1 R_OUT | 4.5V       |                  |                     |
| P73     | AV2 L_OUT | 4.5V       |                  |                     |

Continued on next page.

# LV71081E

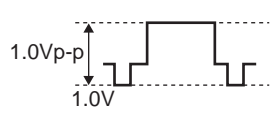
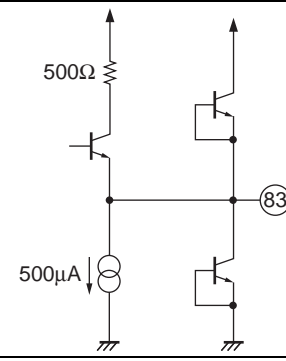
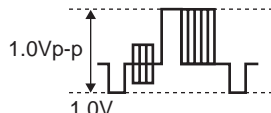
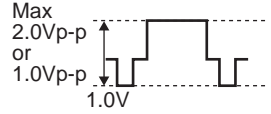
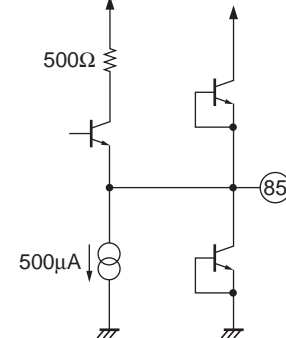
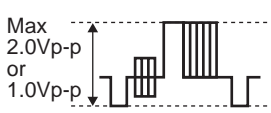
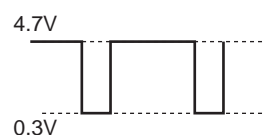
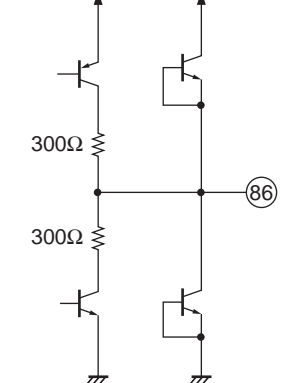
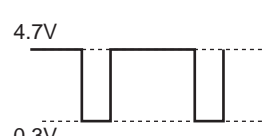
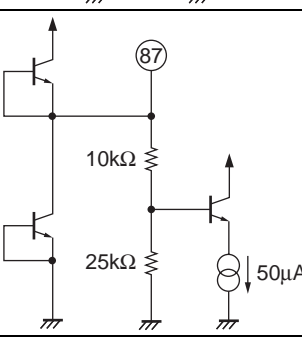
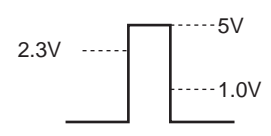
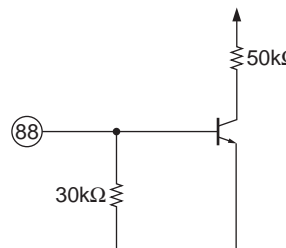
Continued from preceding page.

| Pin No. | Pin name    | DC voltage | Signal wave form  | In put/Out put form   |
|---------|-------------|------------|---|---|
| P74     | AV2 R_OUT   | 4.5V       |    |     |
| P75     | GND_AR      | 0V         | DC  |   |
| P76     | N.C.        |            |   |   |
| P77     | N.C.        |            |   |   |
| P78     | A_DAC L_OUT | 4.5V       |    |    |
| P79     | A_DAC R_OUT | 4.5V       |  |   |
| P80     | GND_AL      |            |   |   |
| P81     | DAC C_OUT   | 2.1V       |  |  |
| P82     | V_SYNC_OUT  |            |  |  |

Continued on next page.

# LV71081E

Continued from preceding page.

| Pin No. | Pin name               | DC voltage | Signal wave form  | In put/Out put form   |
|---------|------------------------|------------|---|---|
| P83     | DAC V/Y_OUT            | 1.0V Y     |    |    |
|         |                        | 1.0V Video |    |   |
| P84     | V <sub>CC</sub> 5V_VSW |            |   |   |
| P85     | Slicer_OUT             | 1.0V Y     |    |    |
|         |                        | 1.0V Video |    |   |
| P86     | C_CYNC_OUT             |            |  |   |
| P87     | V_DET_IN               |            |  |  |
| P88     | SCL_IN                 |            |  |  |

Continued on next page.

# LV71081E

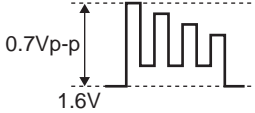
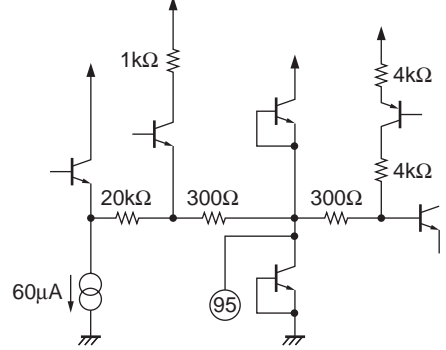


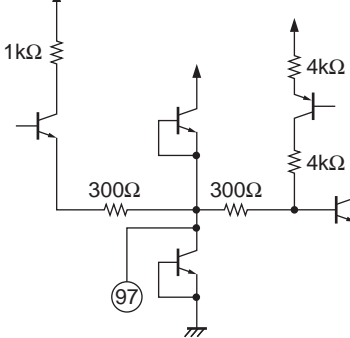
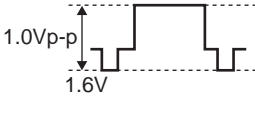

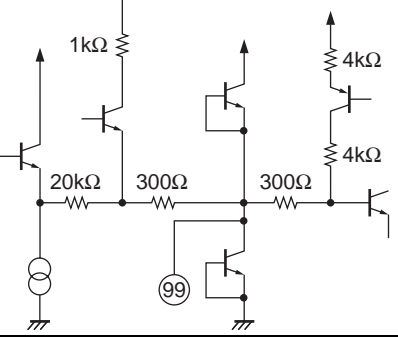

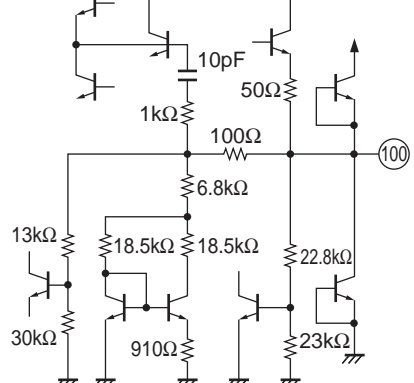
Continued from preceding page.

| Pin No. | Pin name               | DC voltage                            | Signal wave form | In put/Out put form |
|---------|------------------------|---------------------------------------|------------------|---------------------|
| P89     | SDL_IN                 |                                       |                  |                     |
| P90     | V_DET_OUT              | 4.7V with signal<br>0V without signal | DC               |                     |
| P91     | ENC. C_IN              | 2.1V Chroma                           |                  |                     |
| P92     | V_DET_FIL              |                                       | DC               |                     |
| P93     | ENC. Y_IN              | 1.6V Y                                |                  |                     |
| P94     | V <sub>CC</sub> _LOGIC |                                       |                  |                     |

Continued on next page.

# LV71081E

Continued from preceding page.

| Pin No. | Pin name          | DC voltage | Signal wave form  | In put/Out put form  |
|---------|-------------------|------------|---|--|
| P95     | ENC. R/<br>R-Y_IN | 1.6V R     |    |    |
|         |                   | 2.1V R-Y   |    |  |
| P96     | GND_LOGIC         |            |   |  |
| P97     | ENC. G/Y_IN       | 1.6V G     |    |   |
|         |                   | 1.6V Y     |    |  |
| P98     | GND_VSW           |            |   |  |
| P99     | ENC. B/<br>B-Y_IN | 1.6V B     |  |  |
|         |                   | 2.1V B-Y   |  |  |
| P100    | REG 2.5V          | 2.5V       | DC  |  |

ON Semiconductor and the ON logo are registered trademarks of Semiconductor Components Industries, LLC (SCILLC). SCILLC owns the rights to a number of patents, trademarks, copyrights, trade secrets, and other intellectual property. A listing of SCILLC's product/patent coverage may be accessed at [www.onsemi.com/site/pdf/Patent-Marking.pdf](http://www.onsemi.com/site/pdf/Patent-Marking.pdf). SCILLC reserves the right to make changes without further notice to any products herein. SCILLC makes no warranty, representation or guarantee regarding the suitability of its products for any particular purpose, nor does SCILLC assume any liability arising out of the application or use of any product or circuit, and specifically disclaims any and all liability, including without limitation special, consequential or incidental damages. "Typical" parameters which may be provided in SCILLC data sheets and/or specifications can and do vary in different applications and actual performance may vary over time. All operating parameters, including "Typicals" must be validated for each customer application by customer's technical experts. SCILLC does not convey any license under its patent rights nor the rights of others. SCILLC products are not designed, intended, or authorized for use as components in systems intended for surgical implant into the body, or other applications intended to support or sustain life, or for any other application in which the failure of the SCILLC product could create a situation where personal injury or death may occur. Should Buyer purchase or use SCILLC products for any such unintended or unauthorized application, Buyer shall indemnify and hold SCILLC and its officers, employees, subsidiaries, affiliates, and distributors harmless against all claims, costs, damages, and expenses, and reasonable attorney fees arising out of, directly or indirectly, any claim of personal injury or death associated with such unintended or unauthorized use, even if such claim alleges that SCILLC was negligent regarding the design or manufacture of the part. SCILLC is an Equal Opportunity/Affirmative Action Employer. This literature is subject to all applicable copyright laws and is not for resale in any manner.