



SANYO Semiconductors

DATA SHEET

LV8064TT — Bi-CMOS IC Fan Motor Driver Single-Phase Full-Wave Driver

Overview

The LV8064TT is a single-phase bipolar fan motor driver IC. It features quiet operation that suppresses reactive current through BTL output system. The speed control range can be adjusted to desired values by the external application program, so that it can rotate fan at lower speeds than conventional drivers in the same driver voltage control range. It is optimal for use in applications that require low noise and power saving, including CPU coolers.

Functions

- Single-phase full-wave drive with BTL output (BTL amplifier gain = 43dB)
- Speed control gain adjusted by SET pin
- FG output pin (open collector output)
- Built-in thermal protection circuit
- Constant-voltage output pin for Hall bias (VREG = 1.05V typ)
- Lock protection and auto return circuits built-in

Specifications

Absolute Maximum Ratings at $T_a = 25^\circ\text{C}$

Parameter	Symbol	Conditions	Ratings	Unit
Supply voltage	V_{CC} max		7	V
Output current	I_{OUT} max1	During steady state	0.7	A
	I_{OUT} max2	During lock protection	1	A
Output withstand voltage	V_{OUT} max		7	V
FG output withstand	V_{FG} max		7	V
FG output current	I_{FG} max		5	mA
REG output current	I_{REG} max		10	mA
Allowable dissipation	P_d max1	Independent IC	0.2	W
	P_d max2	With specified substrate *	0.4	W
Junction temperature	T_j max		+150	$^\circ\text{C}$
Operating temperature	T_{opr}		-30 to +95	$^\circ\text{C}$
Storage temperature	T_{stg}		-55 to +150	$^\circ\text{C}$

* Specified substrate : 20mm × 10mm × 0.8mm, Paper phenol

■ Any and all SANYO Semiconductor Co.,Ltd. products described or contained herein are, with regard to "standard application", intended for the use as general electronics equipment (home appliances, AV equipment, communication device, office equipment, industrial equipment etc.). The products mentioned herein shall not be intended for use for any "special application" (medical equipment whose purpose is to sustain life, aerospace instrument, nuclear control device, burning appliances, transportation machine, traffic signal system, safety equipment etc.) that shall require extremely high level of reliability and can directly threaten human lives in case of failure or malfunction of the product or may cause harm to human bodies, nor shall they grant any guarantee thereof. If you should intend to use our products for applications outside the standard applications of our customer who is considering such use and/or outside the scope of our intended standard applications, please consult with us prior to the intended use. If there is no consultation or inquiry before the intended use, our customer shall be solely responsible for the use.

■ Specifications of any and all SANYO Semiconductor Co.,Ltd. products described or contained herein stipulate the performance, characteristics, and functions of the described products in the independent state, and are not guarantees of the performance, characteristics, and functions of the described products as mounted in the customer's products or equipment. To verify symptoms and states that cannot be evaluated in an independent device, the customer should always evaluate and test devices mounted in the customer's products or equipment.

SANYO Semiconductor Co., Ltd.

www.semiconductor-sanyo.com/network

LV8064TT

www.DataSheet4U.com

Recommended Operating Conditions at Ta = 25°C

Parameter	Symbol	Conditions	Ratings	Unit
Supply voltage	V _{CC}		2.2 to 6.0	V
Common-phase input voltage range of Hall input	V _{ICM}		0.3 to V _{CC} -1.5	V
SET pin input voltage range	V _{SETIN}		0.3 to V _{REG}	V

Electrical Characteristics at Ta = 25°C, V_{CC} = 5V, unless especially specified.

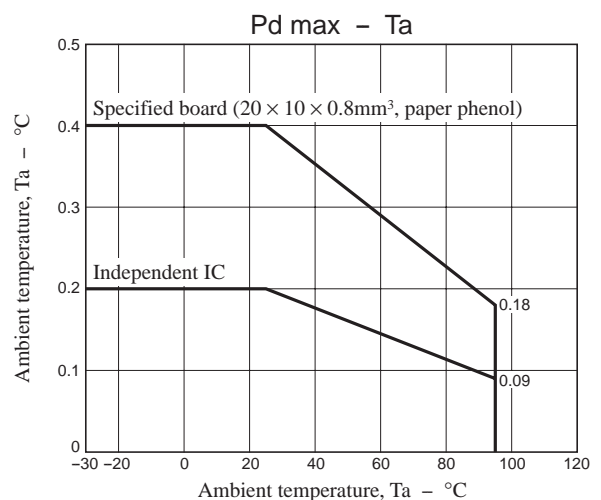
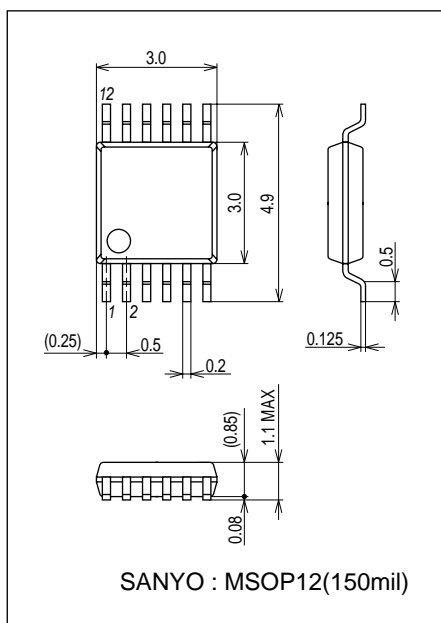
Parameter	Symbol	Conditions	Ratings			Unit
			min	typ	max	
Circuit current	I _{CC}			3	5	mA
REG pin output voltage	V _{REG}	When I _{REG} = 5mA	0.9	1.05	1.2	V
Hall input bias current	I _{HIN}				1	μA
Output On voltage	V _O	I _O = 250mA, source + sink		0.44	0.54	V
Hall amplifier input offset voltage	V _{IN} OFS		-10		10	mV
Hall amplifier voltage gain	GH		40	43		dB
CPWM pin charge current	I _{CPC}	V _{SET} = 0.5V		4.5	8	μA
CPWM pin discharge current	I _{CPD}	V _{SET} = 0.5V		4.5	8	μA
CPWM pin charge/discharge current ratio	I _{CPRTO}	I _{CPRTO} = I _{CPC} /I _{CPD}	0.7	1	1.2	
CPWM pin high voltage	V _{CPH}			1.3	1.5	V
CPWM pin oscillation amplitude	V _{CPA}	V _{SET} = 0.5V	0.4	0.5	0.6	V
SET pin input bias current	I _{SET}				1	μA
FG output pin low volt	V _{FG}	I _{FG} = 3mA			0.3	V
FG output pin leakage current	I _{FGL}	V _{FG} = 5V			10	μA
FG comparator hysteresis width	ΔV _{FG}		±5	±15	±20	mV
Output on time during lock protection	T _{ACT}	V _{SET} = 0.5V, CPWM = 100pF	0.3	0.5	0.65	sec
Output off time during lock protection	T _{DET}	V _{SET} = 0.5V, CPWM = 100pF	3.0	5	6.5	sec
Lock protection on/off ratio	T _{RTO}	T _{RTO} = T _{DET} /T _{ACT}	8	10	11	
Thermal shutdown operating temperature	T _{SD}	Design guarantee *		180		°C
Thermal shutdown hysteresis width	ΔT _{SD}	Design guarantee *		40		°C

* Design guaranteed value (No measurement is performed.)

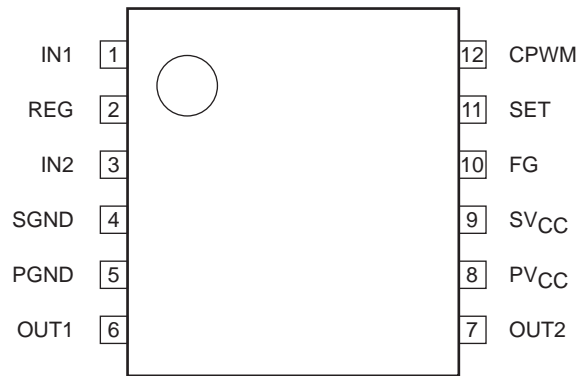
Package Dimensions

unit : mm (typ)

3375

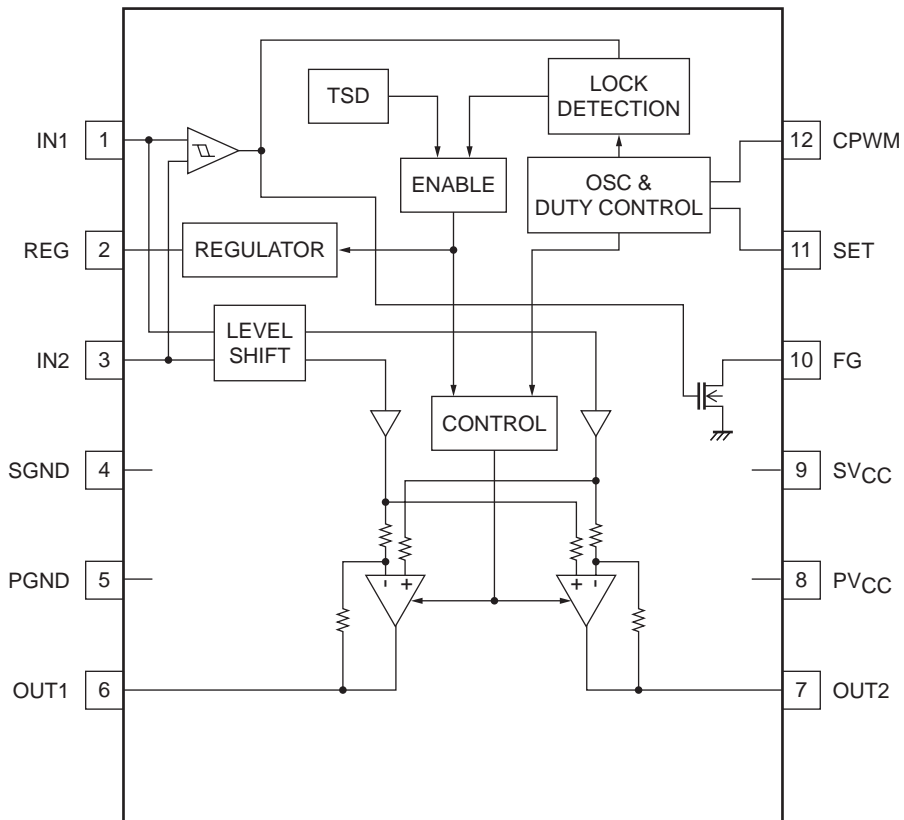


Pin Assignment



Top view

Block Diagram

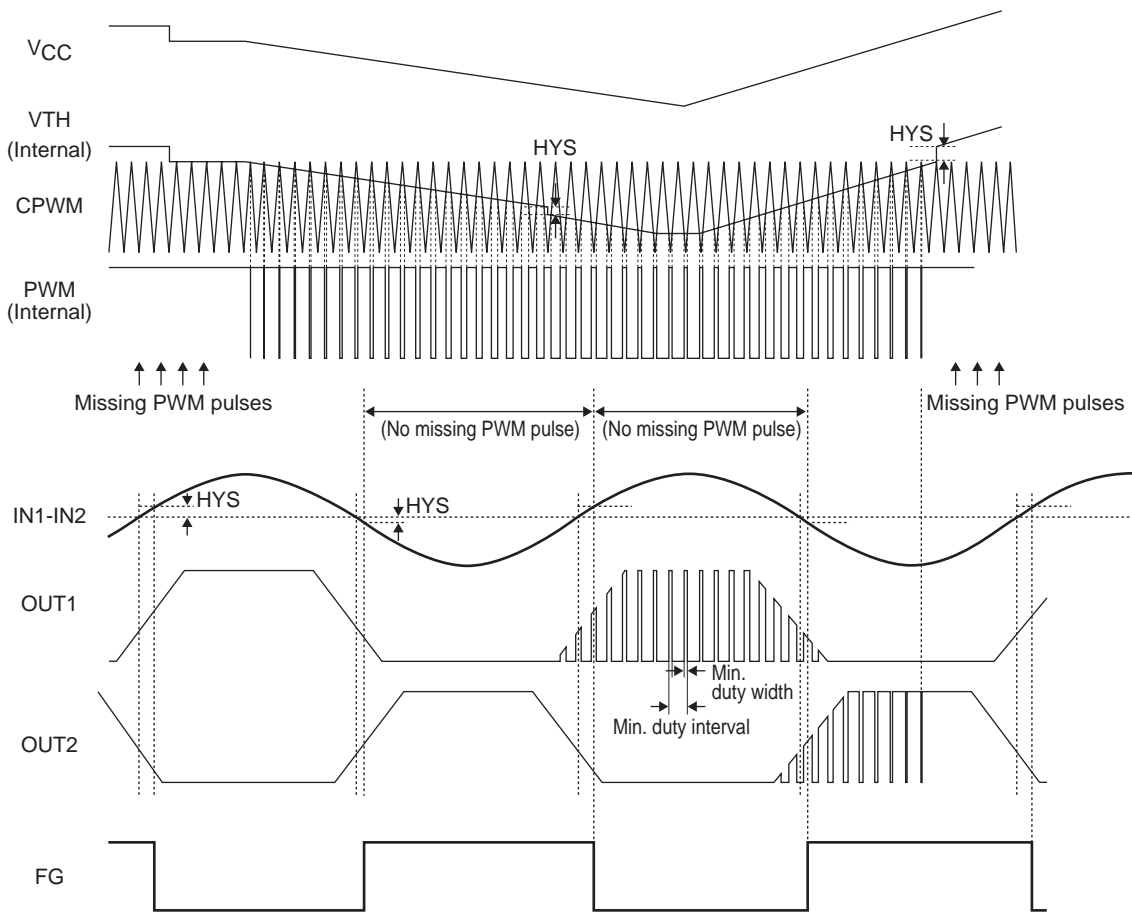


Pin Description

Pin No.	Pin name	Pin voltage	Description	Equivalent circuit
1	IN1	-	Hall input pin (+)	
3	IN2		Hall input pin (-)	
2	REG	1.05V (typ)	Hall bias output pin	
4	SGND	0V	Signal GND	
5	PGND		Power GND	
6	OUT1	-	Motor drive output pin	
7	OUT2			
8	SVCC	2.2V to 6.0V	Signal power source	
9	PVCC		Power source	
10	FG	-	FG pulse output pin	
11	SET	0.3V to VREG	PWM voltage control pin	
12	CPWM	-	PWM oscillator capacitor connection pin	

Timing Chart

When motor is steady-state rotation



* $V_{TH} = 0.5V + V_{CC}/6$ (typ)

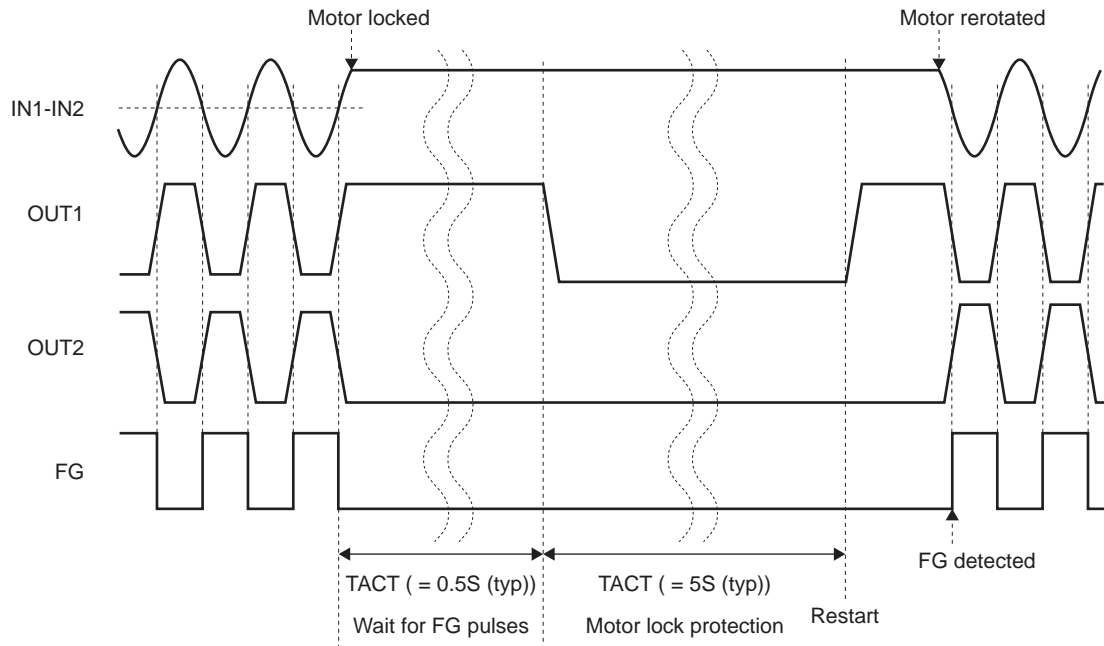
* Check for the presence or absence of PWM pulses at intervals of 1/2 FG period, and if there are missing pulses, immediately turn off the PWM pulse output. If there are no missing pulses at 1/2 FG period intervals, restart generating PWM pulses at the next interval.

*Truth Table When Steady Rotation

IN1	IN2	*PWM	OUT1	OUT2	FG	Mode
H	L	H	H	L	L	During rotation - drive
		L	L	L		During rotation - regeneration
L	H	H	L	H	OFF	During rotation - drive
		L	L	L		During rotation - regeneration

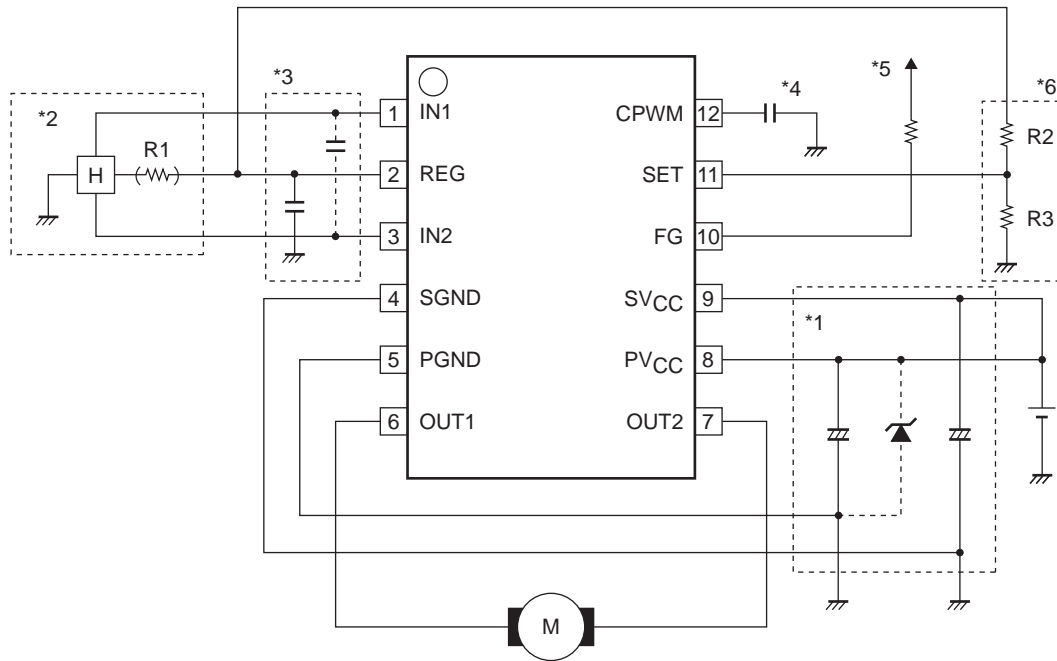
* IC's internal signal

When motor is locked



* When motor protection is activated, both OUT1 and OUT2 output low level.

Application Circuit Example



- *1 Capacitors with capacitances adequate to stabilize the power-supply voltage must be inserted between the PV_{CC} pin and PGND pin and between the SV_{CC} pin and SGND pin as close as possible to each pin. An excessive increase of the power supply voltage due to the regeneration current of the motor can cause a fatal damage to the IC. Be sure to use a zener diode if such a condition is likely to occur.
- *2 The REG pin outputs a constant voltage of 1.05V (typ). Stable Hall output of excellent temperature characteristics is obtained by providing a bias to the Hall element from the REG pin. Insert R1 when adjusting the Hall amplitude. When this pin is not to be used, pull it down to GND with a resistor of 1k to 10k Ω .
- *3 Insert a capacitor of an adequate capacitance between the REG pin and GND pin to stabilize the Hall signal and SET pin input voltage. When the wiring from the Hall output to the Hall input is long, noise may be carried through the wiring. Insert a capacitor close to the IN1 and IN2 pins as shown in the figure.
- *4 A capacitor for PWM oscillation. A 120pF capacitor provides an oscillation frequency of approx. 33kHz (typ).
- *5 Must be held open when this pin is not to be used.
- *6 The SET pin is used to determine the amplitude of the triangle waves generated at the CPWM pin. The same voltage level input to this pin determines the amplitude of the triangle wave. To make the amplitude of the triangle waves constant regardless of possible power voltage fluctuations, apply to the SET pin the register-divided voltage from the REG pin as shown in the figure.

- SANYO Semiconductor Co.,Ltd. assumes no responsibility for equipment failures that result from using products at values that exceed, even momentarily, rated values (such as maximum ratings, operating condition ranges, or other parameters) listed in products specifications of any and all SANYO Semiconductor Co.,Ltd. products described or contained herein.
- SANYO Semiconductor Co.,Ltd. strives to supply high-quality high-reliability products, however, any and all semiconductor products fail or malfunction with some probability. It is possible that these probabilistic failures or malfunction could give rise to accidents or events that could endanger human lives, trouble that could give rise to smoke or fire, or accidents that could cause damage to other property. When designing equipment, adopt safety measures so that these kinds of accidents or events cannot occur. Such measures include but are not limited to protective circuits and error prevention circuits for safe design, redundant design, and structural design.
- In the event that any or all SANYO Semiconductor Co.,Ltd. products described or contained herein are controlled under any of applicable local export control laws and regulations, such products may require the export license from the authorities concerned in accordance with the above law.
- No part of this publication may be reproduced or transmitted in any form or by any means, electronic or mechanical, including photocopying and recording, or any information storage or retrieval system, or otherwise, without the prior written consent of SANYO Semiconductor Co.,Ltd.
- Any and all information described or contained herein are subject to change without notice due to product/technology improvement, etc. When designing equipment, refer to the "Delivery Specification" for the SANYO Semiconductor Co.,Ltd. product that you intend to use.
- Information (including circuit diagrams and circuit parameters) herein is for example only; it is not guaranteed for volume production.
- Upon using the technical information or products described herein, neither warranty nor license shall be granted with regard to intellectual property rights or any other rights of SANYO Semiconductor Co.,Ltd. or any third party. SANYO Semiconductor Co.,Ltd. shall not be liable for any claim or suits with regard to a third party's intellectual property rights which has resulted from the use of the technical information and products mentioned above.

This catalog provides information as of August, 2009. Specifications and information herein are subject to change without notice.