



SANYO Semiconductors

# DATA SHEET

## LV8071LP — Bi-CMOS IC Piezoelectric Actuator Driver IC

### Overview

The LV8071LP is a piezoelectric autofocus actuator driver IC for use in cell phone cameras. It internally generates drive waveforms, which reduces DSP load and makes it possible to control piezoelectric actuators by simple control signals.

### Features

The actuator using the piezoelectric device is driven by the external CLK input and simple control signal.

- The 39MHz (CLK1 pin input) CLK input is divided into quarters internally to generate the 9.75MHz input.

The operation time is generated using this as a base CLK to ensure the output appropriate for piezoelectric drive.

The CLK2 input of 9.75MHz is input to be used, as it is, for the base CLK either.

- IC start/stop is controlled by the EN input. Initialization is made according to the built-in sequence at startup.
- The actuator drive time is determined by inputting the pulse to the DRIVE pin.
- To recognize operation/stop of the actuator, the BUSY signal is output while the OUT pin performs any output.

### Specifications

Maximum Ratings at Ta = 25°C, GND = 0V

Parameter	Symbol	Conditions	Ratings	Unit
Supply voltage	V <sub>CC</sub> max		-0.5 to 6.0	V
Output current	I <sub>O</sub> max		300	mA
Input signal voltage	V <sub>IN</sub> max		-0.5 to V <sub>CC</sub> +0.5	V
Allowable loss	P <sub>d</sub>	Mounted on a specified board*	700	mW
Operating temperature range	T <sub>opr</sub>		-20 to +85	°C
Storage temperature	T <sub>stg</sub>		-55 to +150	°C

Note \*: Mounted on a specified board: 40.0mm×50.0mm×0.8mm, glass epoxy board

■ Any and all SANYO Semiconductor Co.,Ltd. products described or contained herein are, with regard to "standard application", intended for the use as general electronics equipment (home appliances, AV equipment, communication device, office equipment, industrial equipment etc.). The products mentioned herein shall not be intended for use for any "special application" (medical equipment whose purpose is to sustain life, aerospace instrument, nuclear control device, burning appliances, transportation machine, traffic signal system, safety equipment etc.) that shall require extremely high level of reliability and can directly threaten human lives in case of failure or malfunction of the product or may cause harm to human bodies, nor shall they grant any guarantee thereof. If you should intend to use our products for applications outside the standard applications of our customer who is considering such use and/or outside the scope of our intended standard applications, please consult with us prior to the intended use. If there is no consultation or inquiry before the intended use, our customer shall be solely responsible for the use.

■ Specifications of any and all SANYO Semiconductor Co.,Ltd. products described or contained herein stipulate the performance, characteristics, and functions of the described products in the independent state, and are not guarantees of the performance, characteristics, and functions of the described products as mounted in the customer's products or equipment. To verify symptoms and states that cannot be evaluated in an independent device, the customer should always evaluate and test devices mounted in the customer's products or equipment.

**SANYO Semiconductor Co., Ltd.**

TOKYO OFFICE Tokyo Bldg., 1-10, 1 Chome, Ueno, Taito-ku, TOKYO, 110-8534 JAPAN

# LV8071LP

## Allowable Operating Conditions at GND = 0V

Parameter	Symbol	Conditions	Ratings	Unit
Supply voltage	$V_{CC}$		2.5 to 3.3	V
Input signal voltage	$V_{IN}$		0 to $V_{CC}$	V
Input CLK1 frequency	FCLK1	CLK1 pin	39	MHz
Input CLK2 frequency	FCLK2	CLK2 pin	9.75	MHz
DRIVE "H" minimum pulse width	DH min	1clk=1/4CLK1=CLK2	96	clk
DRIVE "L" minimum pulse width	DL min	1clk=1/4CLK1=CLK2	96	clk
Maximum operation cycle frequency	Ct max	1 cycle = 87clk	140 cycles × 170	times

## Electrical Characteristics at $T_a = 25^{\circ}\text{C}$ , $V_{CC} = 2.8\text{V}$ , GND=0V, unless otherwise specified.

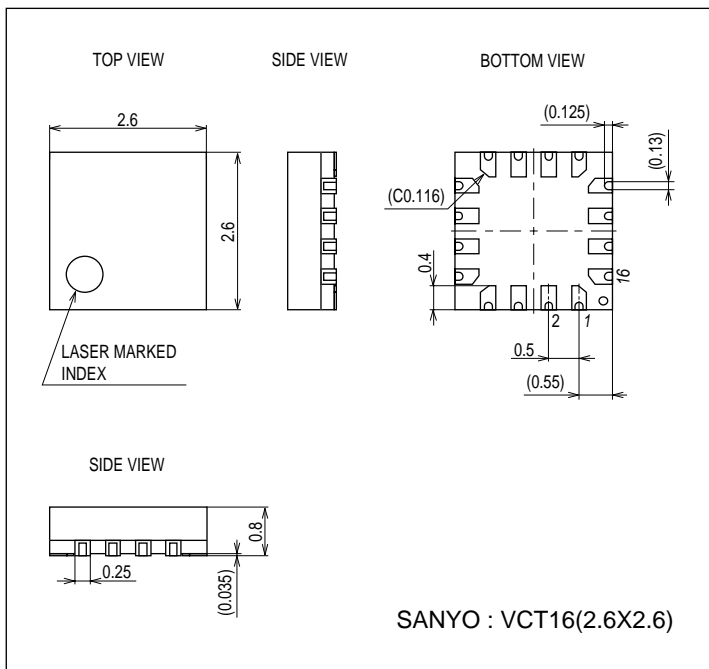
Parameter	Symbol	Conditions	Ratings			Unit
			min	typ	max	
Current drain at standby 0	$I_{CC0}$	No CLK input			1.0	$\mu\text{A}$
Current drain during operation	$I_{CC1}$	At CLK1=39MHz		0.4	0.7	mA
"H" level input voltage	$V_{IH}$	$2.5\text{V} \leq V_{CC} \leq 5.5\text{V}$	$0.8 \times V_{CC}$		$V_{CC}$	V
"L" level input voltage	$V_{IL}$	$2.5\text{V} \leq V_{CC} \leq 5.5\text{V}$	0		$0.1 \times V_{CC}$	V
Output block upper-side ON resistance	RonP			1.0	1.5	$\Omega$
Output block lower-side ON resistance	RonN			1.0	1.5	$\Omega$
Turn-ON time	TPLH	at no load *			0.2	$\mu\text{s}$
Turn-OFF time	TPHL	at no load *			0.2	$\mu\text{s}$

Note: The time for 10→90% at rise and 90→10% at fall is specified.

## Package Dimensions

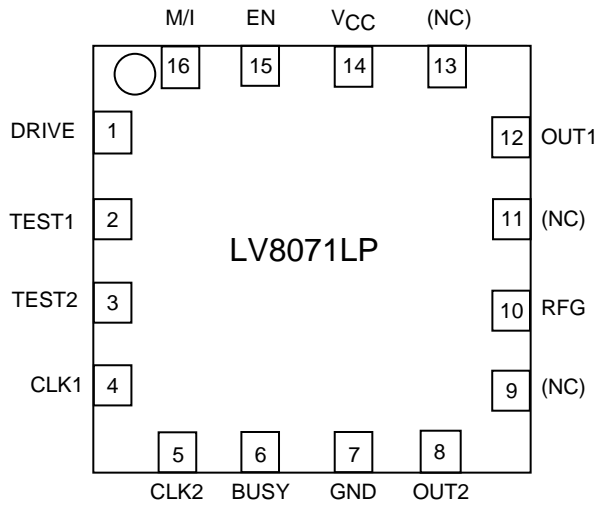
unit : mm (typ)

3318

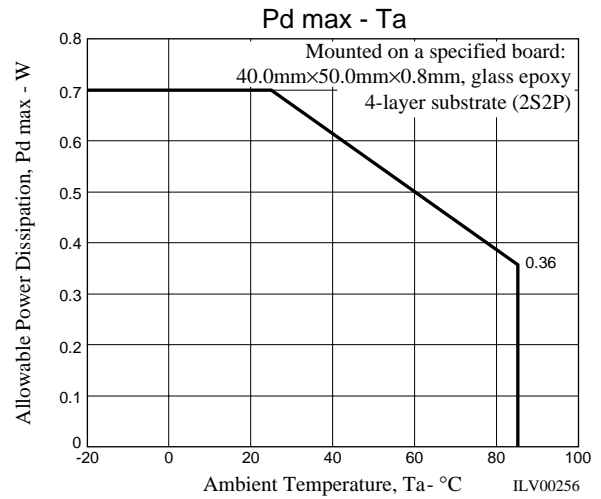


# LV8071LP

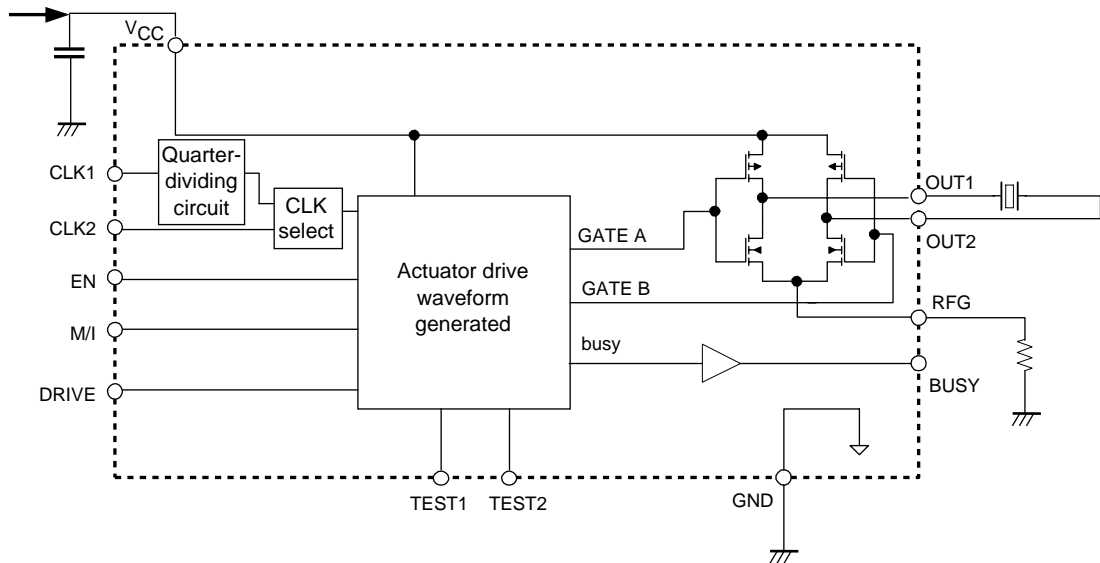
## Pin Assignment



Top view



## Block Diagram



### Resistance to be provided to the RFG pin

In LV8071LP, insertion of the resistor between RFG and GND pins enables suppression of the inrush current to the piezoelectric element.

Since the resistance value exerts influence on the actuator operation, determine the constant within the 0Ω to 3.3Ω range while checking the operation.

**Description of the Operation**

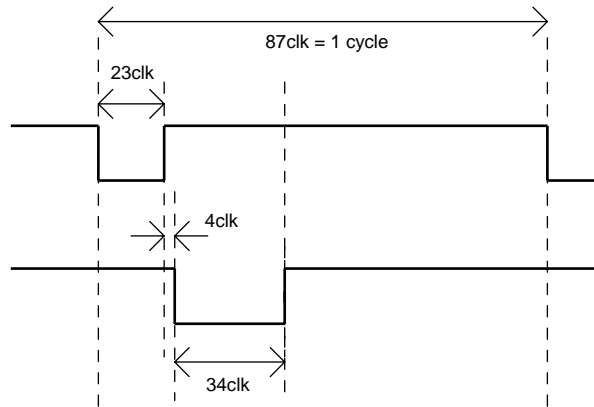
• CLK1 and CLK2 inputs

CLK1 incorporates the quarter-dividing circuit. To input 39MHz directly, input it directly to the CLK1 pin. When the dividing circuit is provided externally, input 9.75MHz to the CLK2 pin. Short-circuit the unused CLK pin to GND.

• 1 cycle:

One cycle (8.923μs for CLK1=39MHz or CLK2=9.75MHz) of OUT waveform operation is used as one unit of output operation.

The drive waveform appropriate to piezoelectric drive as shown below is generated in IC. (1clk=1/4CLK1=1CLK2)



• EN input:

L input causes the IC functions to stop to suppress the current drain in the standby state. H input causes IC to start. After initialization according to the start sequence, the DRIVE pin is ready to accept the input.

• Initialization:

Internal sequence to move the actuator to the initial position at start of IC. After the operation of 140 cycles × 170 times in the ∞ direction, the standby time of 140 cycles × 4 times is secured. Then, 140 cycles × 2 times of return operation is made in the macro direction.

• DRIVE input:

Operation time setting pin. The pin performs 140 cycles of operation per pulse at pulse input. To prevent noise-induced error, the input with the pulse H/L width of 96clk (9.85μs when CLK = 39MHz) respectively is not accepted.

• M/I input:

Actuator operation direction setting pin. Actuator is set in the macro direction at the input H and in the ∞ direction at the input of L. The actuator stops operation if M/I is changed over even when it is operating with the DRIVE pulse.

• TEST1/2

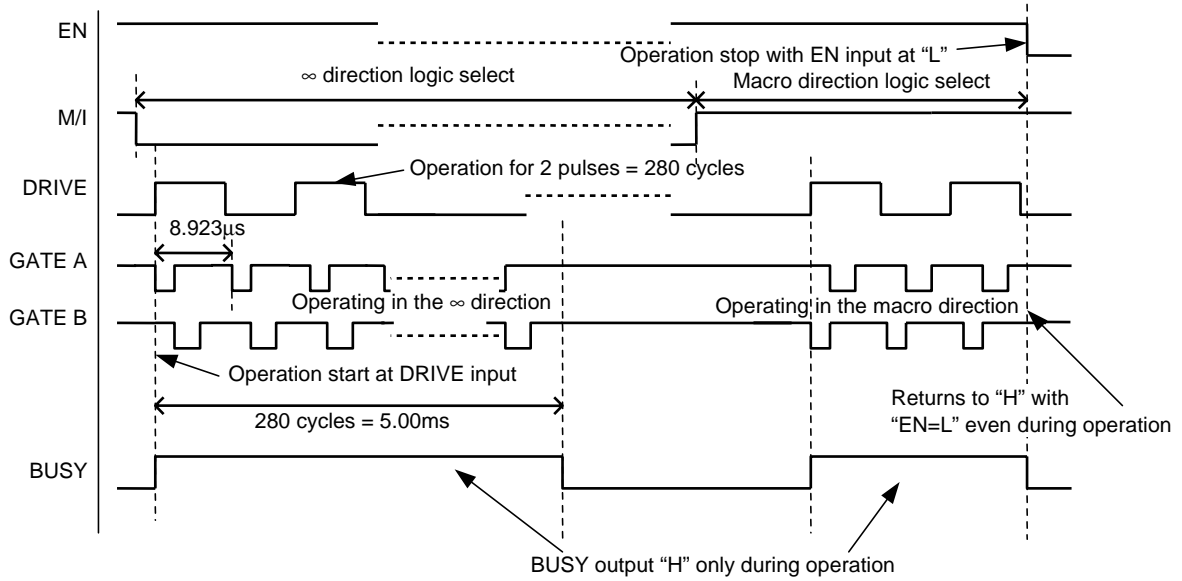
Setting pin for IC inspection. Short-circuit this pin with GND during actual use.

• BUSY output:

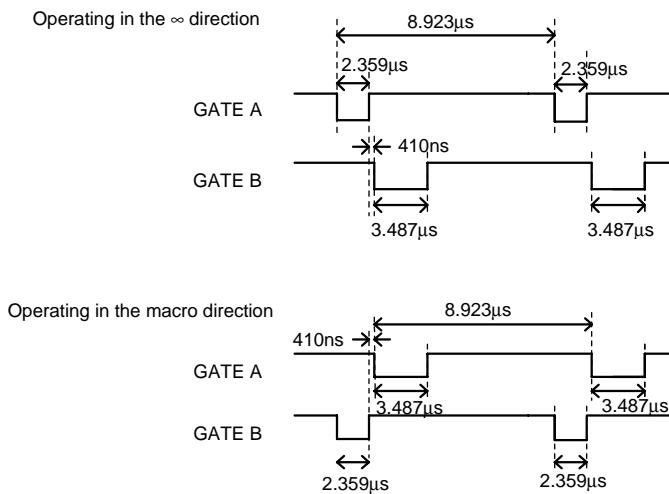
The signal output pin, which outputs “H=VCC voltage while the actuator is operating and “L” when the actuator is stopped.

# LV8071LP

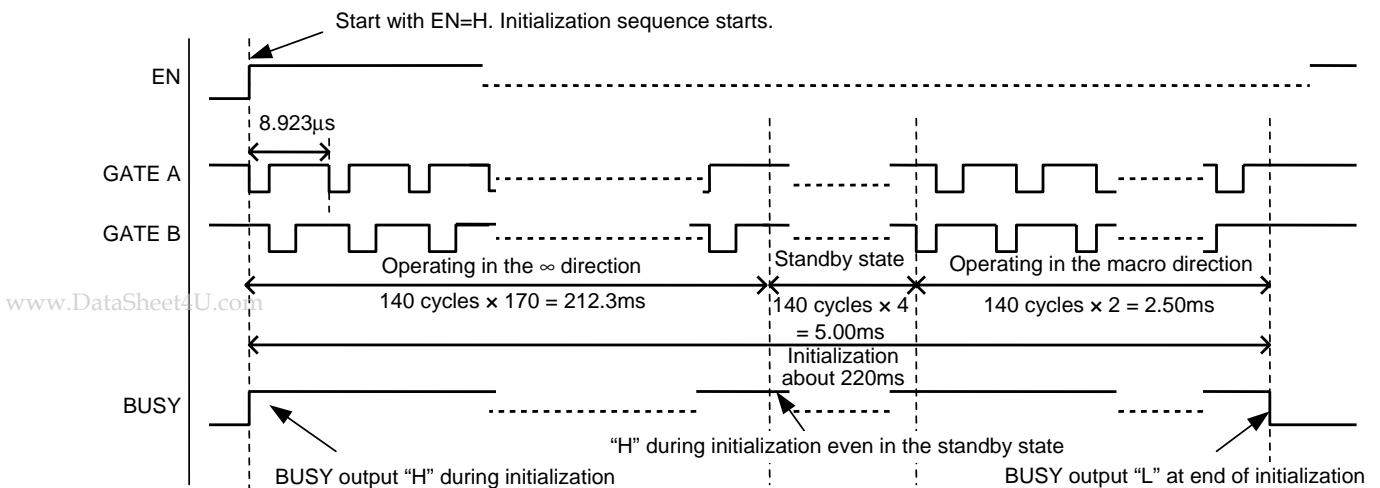
## Timing Chart (For CLK1=39MHz)



### Enlarged view of gate signal sequence



### Initialization sequence at startup



- SANYO Semiconductor Co.,Ltd. assumes no responsibility for equipment failures that result from using products at values that exceed, even momentarily, rated values (such as maximum ratings, operating condition ranges, or other parameters) listed in products specifications of any and all SANYO Semiconductor Co.,Ltd. products described or contained herein.
- SANYO Semiconductor Co.,Ltd. strives to supply high-quality high-reliability products, however, any and all semiconductor products fail or malfunction with some probability. It is possible that these probabilistic failures or malfunction could give rise to accidents or events that could endanger human lives, trouble that could give rise to smoke or fire, or accidents that could cause damage to other property. When designing equipment, adopt safety measures so that these kinds of accidents or events cannot occur. Such measures include but are not limited to protective circuits and error prevention circuits for safe design, redundant design, and structural design.
- In the event that any or all SANYO Semiconductor Co.,Ltd. products described or contained herein are controlled under any of applicable local export control laws and regulations, such products may require the export license from the authorities concerned in accordance with the above law.
- No part of this publication may be reproduced or transmitted in any form or by any means, electronic or mechanical, including photocopying and recording, or any information storage or retrieval system, or otherwise, without the prior written consent of SANYO Semiconductor Co.,Ltd.
- Any and all information described or contained herein are subject to change without notice due to product/technology improvement, etc. When designing equipment, refer to the "Delivery Specification" for the SANYO Semiconductor Co.,Ltd. product that you intend to use.
- Information (including circuit diagrams and circuit parameters) herein is for example only; it is not guaranteed for volume production.
- Upon using the technical information or products described herein, neither warranty nor license shall be granted with regard to intellectual property rights or any other rights of SANYO Semiconductor Co.,Ltd. or any third party. SANYO Semiconductor Co.,Ltd. shall not be liable for any claim or suits with regard to a third party's intellectual property rights which has resulted from the use of the technical information and products mentioned above.

This catalog provides information as of December, 2007. Specifications and information herein are subject to change without notice.