

LVDS Description and Family Characteristics

Low Voltage Differential Signaling (LVDS) defines a reduced swing, differential I/O technology for high-speed interface (Figure 1 and Figure 2). Many LVDS devices are defined by the ANSI/TIA/EIA-644 standard also known as RS-644. RS-644 compliant devices provide specific I/O characteristics designed to provide a low noise, low power, low EMI, high-speed interface. All Fairchild LVDS devices meet or exceed the ANSI/TIA/EIA-644 standard.

LVDS devices are typically used for point-to-point and limited multi-drop cable driving configurations. Many Fairchild LVDS devices offer features to increase performance such as common mode (Figure 3) for increased application flexibility and failsafe to eliminate false or unexpected states.

Many LVDS devices are pin replacements for existing interface technologies such as RS-422, PECL, and LVPECL. This compatibility makes upgrades to higher performance possible with minimum redesign.

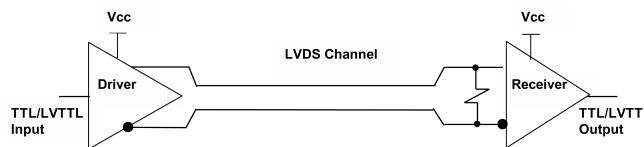


FIGURE 1.

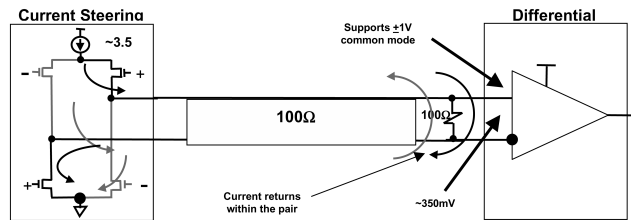


FIGURE 2.

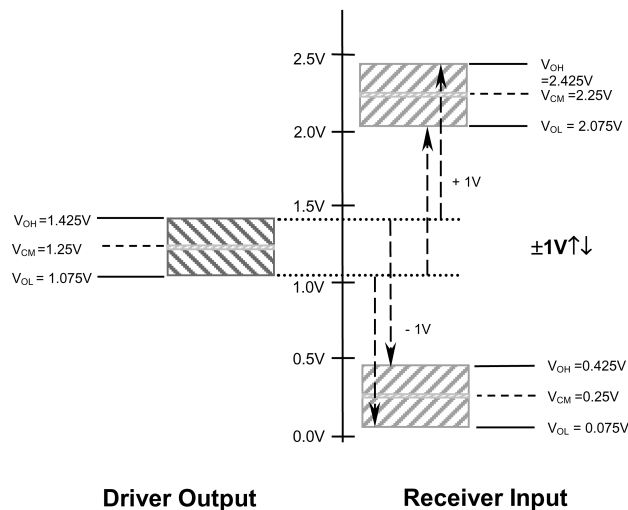


FIGURE 3.



Fairchild does not assume any responsibility for use of any circuitry described, no circuit patent licenses are implied and Fairchild reserves the right at any time without notice to change said circuitry and specifications.

LIFE SUPPORT POLICY

FAIRCHILD'S PRODUCTS ARE NOT AUTHORIZED FOR USE AS CRITICAL COMPONENTS IN LIFE SUPPORT DEVICES OR SYSTEMS WITHOUT THE EXPRESS WRITTEN APPROVAL OF THE PRESIDENT OF FAIRCHILD SEMICONDUCTOR CORPORATION. As used herein:

1. Life support devices or systems are devices or systems which, (a) are intended for surgical implant into the body, or (b) support or sustain life, and (c) whose failure to perform when properly used in accordance with instructions for use provided in the labeling, can be reasonably expected to result in a significant injury to the user.
2. A critical component in any component of a life support device or system whose failure to perform can be reasonably expected to cause the failure of the life support device or system, or to affect its safety or effectiveness.

www.fairchildsemi.com