



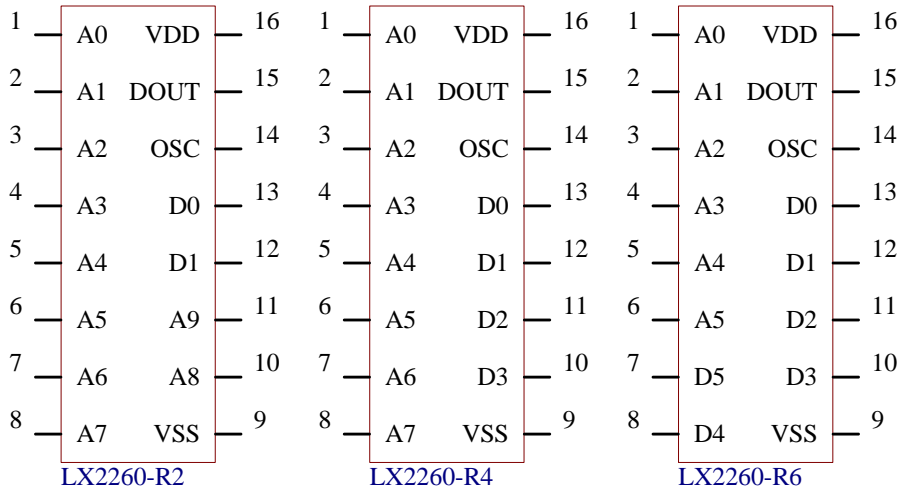
LX2260 Encoder Circuit

LX2260 is low-power remote control encoder circuit. This circuit is composed of address bit and data bit by user, it is used in wireless and infrared remote control. It is compatible with PT2260.

一、 Application:

- ◆ Car security system ◆ Remote control toys
- ◆ Home security system ◆ Other industrial remote control

二、 Pin Configuration:



Product Specification Category:
LX22 60X-RX

R: RF application. IR4 is infrared remote control application ,
The receiving end should reverse signal.

X: input data (6, 4, 2, 0)

X: (S, D) S is SOP package, D is DIP package.



HANGZHOU ZHENGXIN MICRO-ELECTRONICS CO.,LTD
Address: B068#, 4 Floor, 639 Dengyun Road, Hangzhou, Zhejiang
Tel: 0571-89908068 89908067 89908491
Fax: 0571-89908137 89908492 Postcode: 310014
Website: <http://www.chiptrue.com>

三、 Pin description:

Pin Name	I/O	Description
A0~Ax I		Address pin, is used in address code, can be set to "0", "1", " (hang) , "f" three state.
D0~Dx I		Data input end, one "1", coding that is sended, a built-in pull down.
VDD	I	Positive Power Supply
VSS	I	Negative Power Supply
OSC	I	Single oscillator input resistance
DOUT	O	Dato Output Pin (frequent low)

四、 function comparison table:

Model	Address Digit	Data Digit	Wireless Application	Infrared Application	Most address digit	Decoder model	Package
LX2260-R6 6		6	Y		729	LX2272-X6	SOP/DIP16
LX2260-R4 8		4	Y		6561	LX2272-X4	SOP/DIP16
LX2260-R2 10		2	Y		59049	LX2272-X2	SOP/DIP16
LX2260-IR4 8		4		Y	6561	LX2272-X4	SOP/DIP16



五、Limit parameter (Ta=25℃)

Parameter Sign		Parameter scope	Unit
Power supply pressure	V _{cc}	-0.3~12.0	V
Input pressure	V _i	-0.3~V _{cc} +0.3	V
Output pressure	V _o	-0.3~V _{cc} +0.3	V
Most power consumption (V _{cc} =12V)	Pa 30	0	mW
Work temperature	Topr	-20~+70	℃
Storage temperature	Tstg	-40~+125	℃

六、partnership resistance (for reference only)

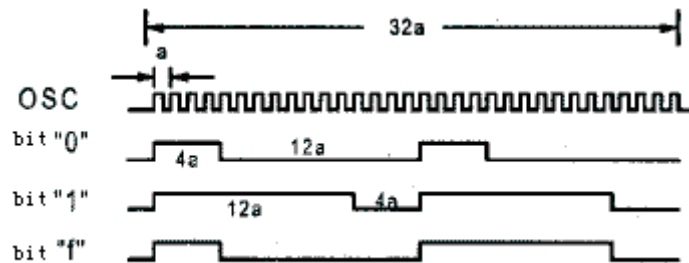
LX2260/HS2260A L	X2272/PT2272	HS2272A/B
3.3M	270K	680K
4.7M	360K	820K

七、Code Structure

Code Bits

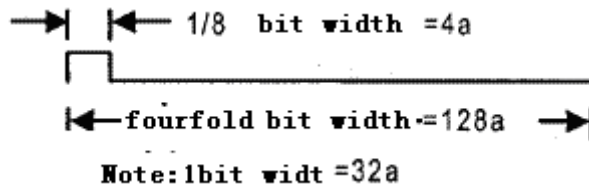
A code bit is the basic unit of encoder waveform, it can be classified as either an AD Bit (Address, Data) and the SYNC (Synchronous) Bit

When the corresponding terminal power level according with low, high, or hang in the air state, AD bit can be set to "0", "1" or "f", each bit waveform is constituted by two pulse cycle, each pulse cycle contain 16 clock cycle, see the next diagram:



Here, a=oscillating clock period, bit "f" is effective for code only.

The Synchronous Bit Waveform is 4 bits long with 1/8 bit width pulse. Please refer to the diagram below:



Code Word

A group of code bit is called a code word, a code word consists of 12 AD bit followed by 1 SYNC. Bit. The 12 AD bits is address code or data code according to the different suffix of LX2272. See the next diagram:

A0	A1	A2	A3	A4	A5	A6	A7	A8	A9	A10	A11	SYN C
----	----	----	----	----	----	----	----	----	----	-----	-----	----------

八、Application Circuit Diagram

