



# Lyontek Inc.

## LY62L12816

Rev. 1.2

### 128K X 16 BIT LOW POWER CMOS SRAM

#### REVISION HISTORY

<u>Revision</u>	<u>Description</u>	<u>Issue Date</u>
Rev. 1.0	Initial Issue	Jul.25.2004
Rev. 1.1	Revised Package Outline Dimension(TSOP-II)	Apr.12.2007
Rev. 1.2	Added $I_{SB1}/I_{DR}$ values when $T_A = 25^\circ\text{C}$ and $T_A = 40^\circ\text{C}$ Added SL grade Deleted L grade	Mar.30.2009
	Revised <b><u>FEATURES &amp; ORDERING INFORMATION</u></b> <b><u>Lead free and green package available to Green package available</u></b> Added packing type in <b><u>ORDERING INFORMATION</u></b> Revised $V_{TERM}$ to $V_{T1}$ and $V_{T2}$ Deleted $T_{SOLDER}$ in <b><u>ABSOLUTE MAXIMUM RATINGS</u></b>	



## LY62L12816

Rev. 1.2

### 128K X 16 BIT LOW POWER CMOS SRAM

#### FEATURES

- Fast access time : 45/55/70ns
- Low power consumption:  
Operating current : 23/20/18mA (TYP.)  
Standby current : 1µA (TYP.) LL/SL -version
- Single 2.7V ~ 3.6V power supply
- All inputs and outputs TTL compatible
- Fully static operation
- Tri-state output
- Data byte control : LB# (DQ0 ~ DQ7)  
UB# (DQ8 ~ DQ15)
- Data retention voltage : 1.5V (MIN.)
- **Green package available**
- Package : 44-pin 400 mil TSOP-II  
48-ball 6mm x 8mm TFBGA

#### PRODUCT FAMILY

Product Family	Operating Temperature	Vcc Range	Speed	Power Dissipation	
				Standby(I <sub>SB1</sub> ,TYP.)	Operating(I <sub>CC</sub> ,TYP.)
LY62L12816	0 ~ 70°C	2.7 ~ 3.6V	45/55/70ns	1µA	23/20/18mA
LY62L12816(E)	-20 ~ 80°C	2.7 ~ 3.6V	45/55/70ns	1µA	23/20/18mA
LY62L12816(I)	-40 ~ 85°C	2.7 ~ 3.6V	45/55/70ns	1µA	23/20/18mA

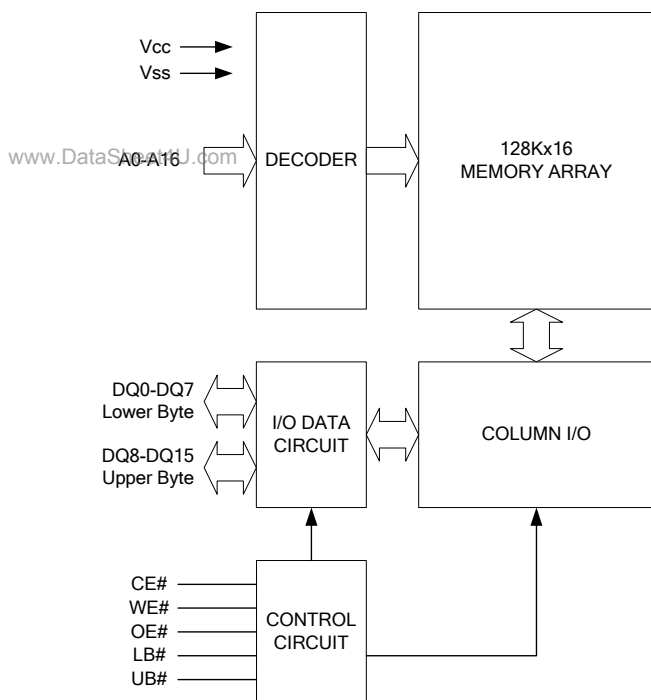
#### GENERAL DESCRIPTION

The LY62L12816 is a 2,097,152-bit low power CMOS static random access memory organized as 131,072 words by 16 bits. It is fabricated using very high performance, high reliability CMOS technology. Its standby current is stable within the range of operating temperature.

The LY62L12816 is well designed for low power application, and particularly well suited for battery back-up nonvolatile memory application.

The LY62L12816 operates from a single power supply of 2.7V ~ 3.6V and all inputs and outputs are fully TTL compatible

#### FUNCTIONAL BLOCK DIAGRAM



#### PIN DESCRIPTION

SYMBOL	DESCRIPTION
A0 - A16	Address Inputs
DQ0 - DQ15	Data Inputs/Outputs
CE#	Chip Enable Input
WE#	Write Enable Input
OE#	Output Enable Input
LB#	Lower Byte Control
UB#	Upper Byte Control
Vcc	Power Supply
Vss	Ground

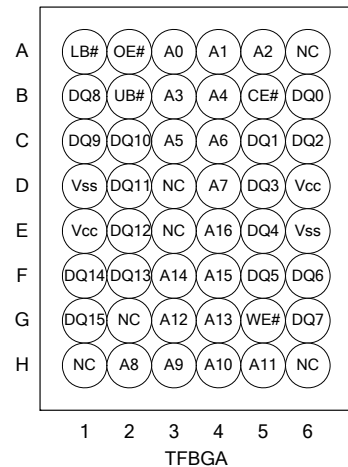
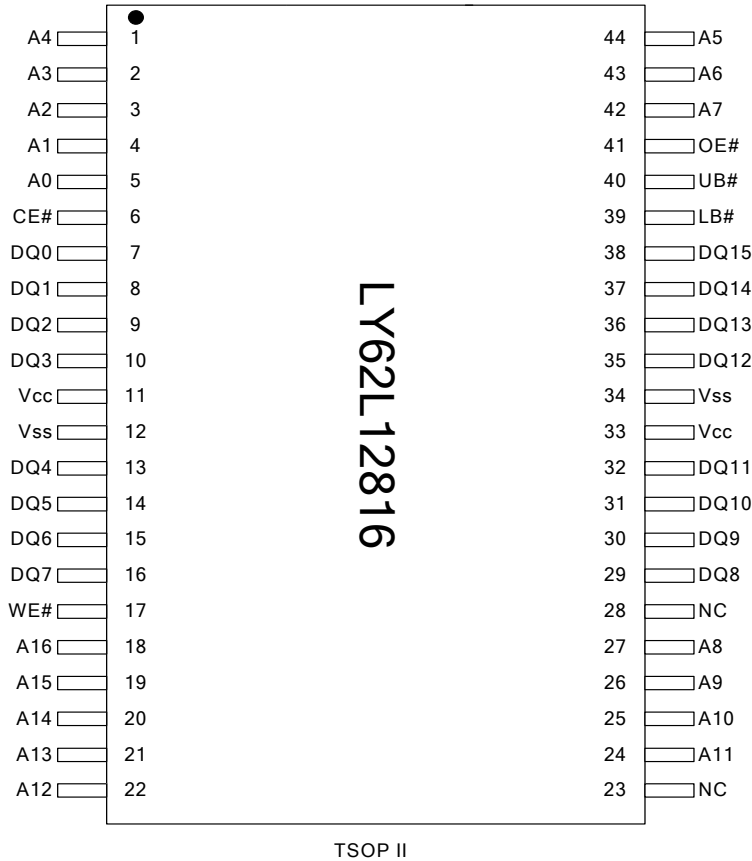


# LY62L12816

Rev. 1.2

## 128K X 16 BIT LOW POWER CMOS SRAM

### PIN CONFIGURATION



www.DataSheet4U.com

### ABSOLUTE MAXIMUM RATINGS\*

PARAMETER	SYMBOL	RATING	UNIT
Voltage on Vcc relative to Vss	$V_{T1}$	-0.5 to 4.6	V
Voltage on any other pin relative to Vss	$V_{T2}$	-0.5 to $V_{cc}+0.5$	V
Operating Temperature	$T_A$	0 to 70(C grade)	°C
		-20 to 80(E grade)	
		-40 to 85(I grade)	
Storage Temperature	$T_{STG}$	-65 to 150	°C
Power Dissipation	$P_D$	1	W
DC Output Current	$I_{OUT}$	50	mA

\*Stresses greater than those listed under "Absolute Maximum Ratings" may cause permanent damage to the device. This is a stress rating only and functional operation of the device or any other conditions above those indicated in the operational sections of this specification is not implied. Exposure to the absolute maximum rating conditions for extended period may affect device reliability.



# LY62L12816

Rev. 1.2

## 128K X 16 BIT LOW POWER CMOS SRAM

### TRUTH TABLE

MODE	CE#	OE#	WE#	LB#	UB#	I/O OPERATION		SUPPLY CURRENT
						DQ0-DQ7	DQ8-DQ15	
Standby	H	X	X	X	X	High - Z	High - Z	I <sub>SB</sub> , I <sub>SB1</sub>
	X	X	X	H	H	High - Z	High - Z	
Output Disable	L	H	H	L	X	High - Z	High - Z	I <sub>CC</sub> , I <sub>CC1</sub>
	L	H	H	X	L	High - Z	High - Z	
Read	L	L	H	L	H	D <sub>OUT</sub>	High - Z	I <sub>CC</sub> , I <sub>CC1</sub>
	L	L	H	H	L	High - Z	D <sub>OUT</sub>	
	L	L	H	L	L	D <sub>OUT</sub>	D <sub>OUT</sub>	
Write	L	X	L	L	H	D <sub>IN</sub>	High - Z	I <sub>CC</sub> , I <sub>CC1</sub>
	L	X	L	H	L	High - Z	D <sub>IN</sub>	
	L	X	L	L	L	D <sub>IN</sub>	D <sub>IN</sub>	

Note: H = V<sub>IH</sub>, L = V<sub>IL</sub>, X = Don't care.

### DC ELECTRICAL CHARACTERISTICS

PARAMETER	SYMBOL	TEST CONDITION	MIN.	TYP. <sup>4</sup>	MAX.	UNIT			
Supply Voltage	V <sub>CC</sub>		2.7	3.0	3.6	V			
Input High Voltage	V <sub>IH</sub> <sup>1</sup>		2.2	-	V <sub>CC</sub> +0.3	V			
Input Low Voltage	V <sub>IL</sub> <sup>2</sup>		-0.2	-	0.6	V			
Input Leakage Current	I <sub>LI</sub>	V <sub>CC</sub> ≥ V <sub>IN</sub> ≥ V <sub>SS</sub>	-1	-	1	μA			
Output Leakage Current	I <sub>LO</sub>	V <sub>CC</sub> ≥ V <sub>OUT</sub> ≥ V <sub>SS</sub> , Output Disabled	-1	-	1	μA			
Output High Voltage	V <sub>OH</sub>	I <sub>OH</sub> = -1mA	2.2	2.7	-	V			
Output Low Voltage	V <sub>OL</sub>	I <sub>OL</sub> = 2mA	-	-	0.4	V			
Average Operating Power supply Current	I <sub>CC</sub>	Cycle time = Min. CE# = V <sub>IL</sub> , I <sub>I/O</sub> = 0mA Other pins at V <sub>IL</sub> or V <sub>IH</sub>	-45	23	40	mA			
			-55	20	35	mA			
			-70	18	30	mA			
Average Operating Power supply Current	I <sub>CC1</sub>	Cycle time = 1μs CE# = 0.2V, I <sub>I/O</sub> = 0mA Other pins at 0.2V or V <sub>CC</sub> - 0.2V	-	4	5	mA			
Standby Power Supply Current	I <sub>SB1</sub>	CE# ≥ V <sub>CC</sub> - 0.2V Others at 0.2V or V <sub>CC</sub> - 0.2V	ISB	0.3	0.5	mA			
			LL	-	1	10	μA		
				LLE/LLI	-	1	20	μA	
				SL <sup>+5</sup>	25°C	-	1	3	μA
				SLE <sup>+5</sup>	40°C	-	1	3	μA
				SLI <sup>+5</sup>		-	1	3	μA
				SL	-	1	10	μA	
SLE/SLI	-	1	15	μA					

Notes:

- V<sub>IH</sub>(max) = V<sub>CC</sub> + 3.0V for pulse width less than 10ns.
- V<sub>IL</sub>(min) = V<sub>SS</sub> - 3.0V for pulse width less than 10ns.
- Over/Undershoot specifications are characterized, not 100% tested.
- Typical values are included for reference only and are not guaranteed or tested.  
Typical values are measured at V<sub>CC</sub> = V<sub>CC</sub>(TYP.) and T<sub>A</sub> = 25°C
- This parameter is measured at V<sub>CC</sub> = 3.0V



## LY62L12816

Rev. 1.2

### 128K X 16 BIT LOW POWER CMOS SRAM

#### CAPACITANCE (T<sub>A</sub> = 25°C, f = 1.0MHz)

PARAMETER	SYMBOL	MIN.	MAX	UNIT
Input Capacitance	C <sub>IN</sub>	-	6	pF
Input/Output Capacitance	C <sub>I/O</sub>	-	8	pF

Note : These parameters are guaranteed by device characterization, but not production tested.

#### AC TEST CONDITIONS

Input Pulse Levels	0.2V to V <sub>CC</sub> - 0.2V
Input Rise and Fall Times	3ns
Input and Output Timing Reference Levels	1.5V
Output Load	C <sub>L</sub> = 30pF + 1TTL, I <sub>OH</sub> /I <sub>OL</sub> = -1mA/2mA

#### AC ELECTRICAL CHARACTERISTICS

##### (1) READ CYCLE

PARAMETER	SYM.	LY62L12816-45		LY62L12816-55		LY62L12816-70		UNIT
		MIN.	MAX.	MIN.	MAX.	MIN.	MAX.	
Read Cycle Time	t <sub>RC</sub>	45	-	55	-	70	-	ns
Address Access Time	t <sub>AA</sub>	-	45	-	55	-	70	ns
Chip Enable Access Time	t <sub>ACE</sub>	-	45	-	55	-	70	ns
Output Enable Access Time	t <sub>OE</sub>	-	25	-	30	-	35	ns
Chip Enable to Output in Low-Z	t <sub>CLZ</sub> *	10	-	10	-	10	-	ns
Output Enable to Output in Low-Z	t <sub>OLZ</sub> *	5	-	5	-	5	-	ns
Chip Disable to Output in High-Z	t <sub>CHZ</sub> *	-	15	-	20	-	25	ns
Output Disable to Output in High-Z	t <sub>OHZ</sub> *	-	15	-	20	-	25	ns
Output Hold from Address Change	t <sub>OH</sub>	10	-	10	-	10	-	ns
LB#, UB# Access Time	t <sub>BA</sub>	-	45	-	55	-	70	ns
LB#, UB# to High-Z Output	t <sub>BHZ</sub> *	-	20	-	25	-	30	ns
LB#, UB# to Low-Z Output	t <sub>BLZ</sub> *	10	-	10	-	10	-	ns

##### (2) WRITE CYCLE

PARAMETER	SYM.	LY62L12816-45		LY62L12816-55		LY62L12816-70		UNIT
		MIN.	MAX.	MIN.	MAX.	MIN.	MAX.	
Write Cycle Time	t <sub>WC</sub>	45	-	55	-	70	-	ns
Address Valid to End of Write	t <sub>AW</sub>	40	-	50	-	60	-	ns
Chip Enable to End of Write	t <sub>CW</sub>	40	-	50	-	60	-	ns
Address Set-up Time	t <sub>AS</sub>	0	-	0	-	0	-	ns
Write Pulse Width	t <sub>WP</sub>	35	-	45	-	55	-	ns
Write Recovery Time	t <sub>WR</sub>	0	-	0	-	0	-	ns
Data to Write Time Overlap	t <sub>DW</sub>	20	-	25	-	30	-	ns
Data Hold from End of Write Time	t <sub>DH</sub>	0	-	0	-	0	-	ns
Output Active from End of Write	t <sub>OW</sub> *	5	-	5	-	5	-	ns
Write to Output in High-Z	t <sub>WHZ</sub> *	-	15	-	20	-	25	ns
LB#, UB# Valid to End of Write	t <sub>BW</sub>	35	-	45	-	60	-	ns

\*These parameters are guaranteed by device characterization, but not production tested.

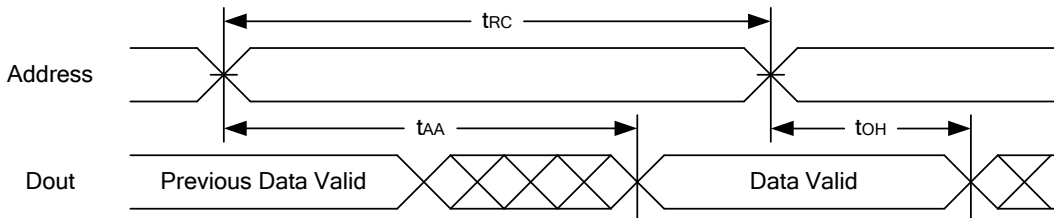
## LY62L12816

Rev. 1.2

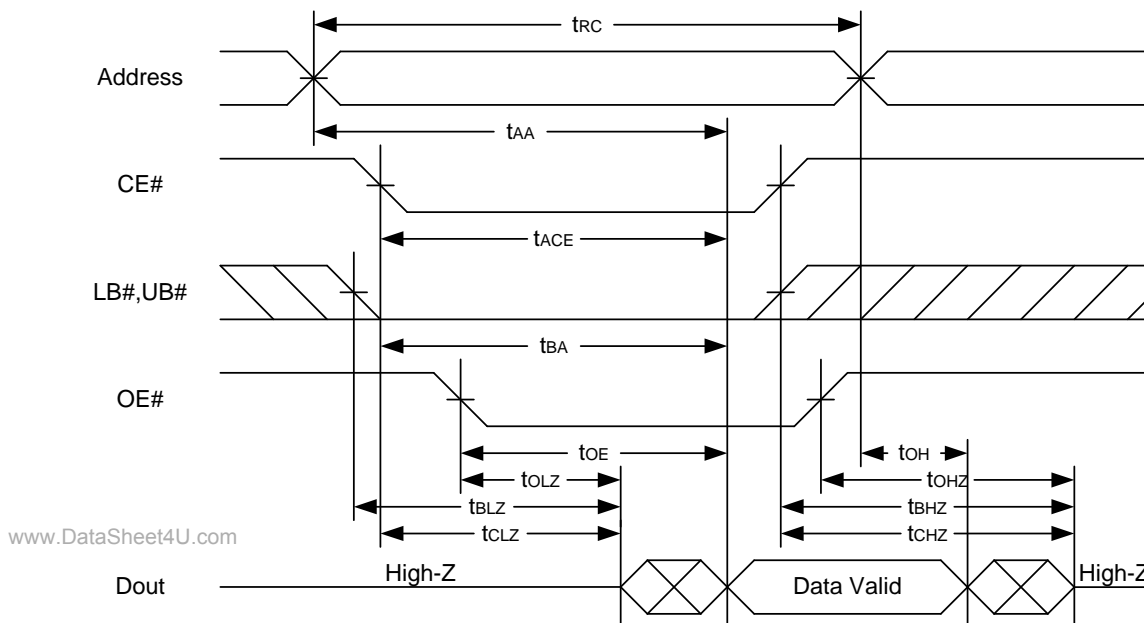
128K X 16 BIT LOW POWER CMOS SRAM

### TIMING WAVEFORMS

#### READ CYCLE 1 (Address Controlled) (1,2)



#### READ CYCLE 2 (CE# and OE# Controlled) (1,3,4,5)



Notes :

1. WE# is high for read cycle.
2. Device is continuously selected OE# = low, CE# = low, LB# or UB# = low.
3. Address must be valid prior to or coincident with CE# = low, LB# or UB# = low transition; otherwise tAA is the limiting parameter.
4. tCLZ, tBLZ, tOLZ, tCHZ, tBHZ and tOHZ are specified with CL = 5pF. Transition is measured ±500mV from steady state.
5. At any given temperature and voltage condition, tCHZ is less than tCLZ, tBHZ is less than tBLZ, tOHZ is less than tOLZ.

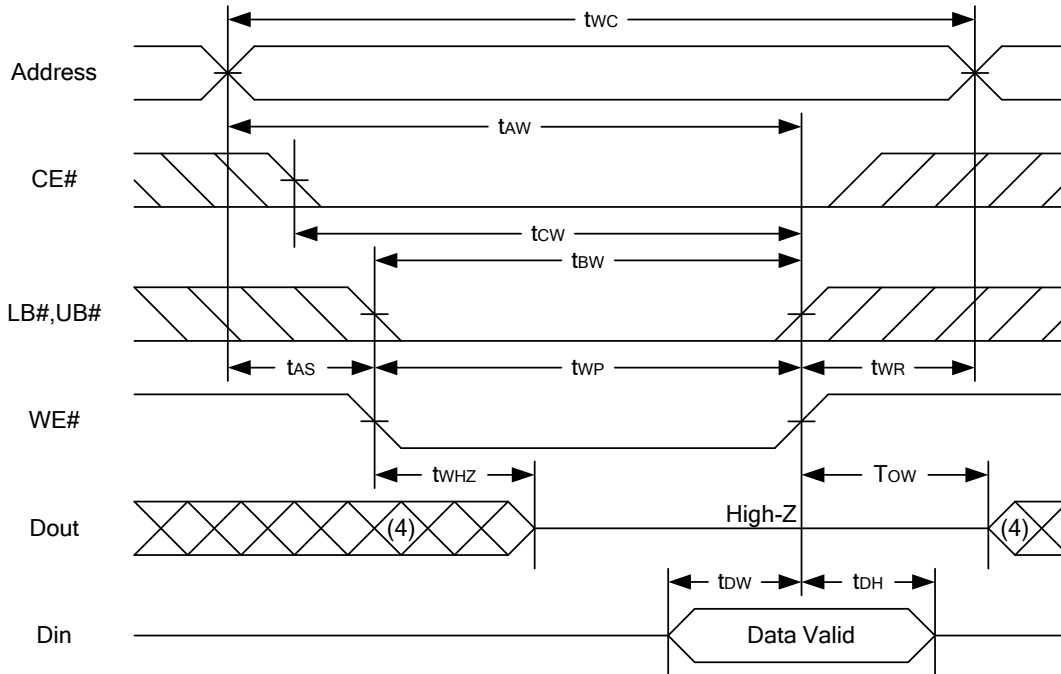


# LY62L12816

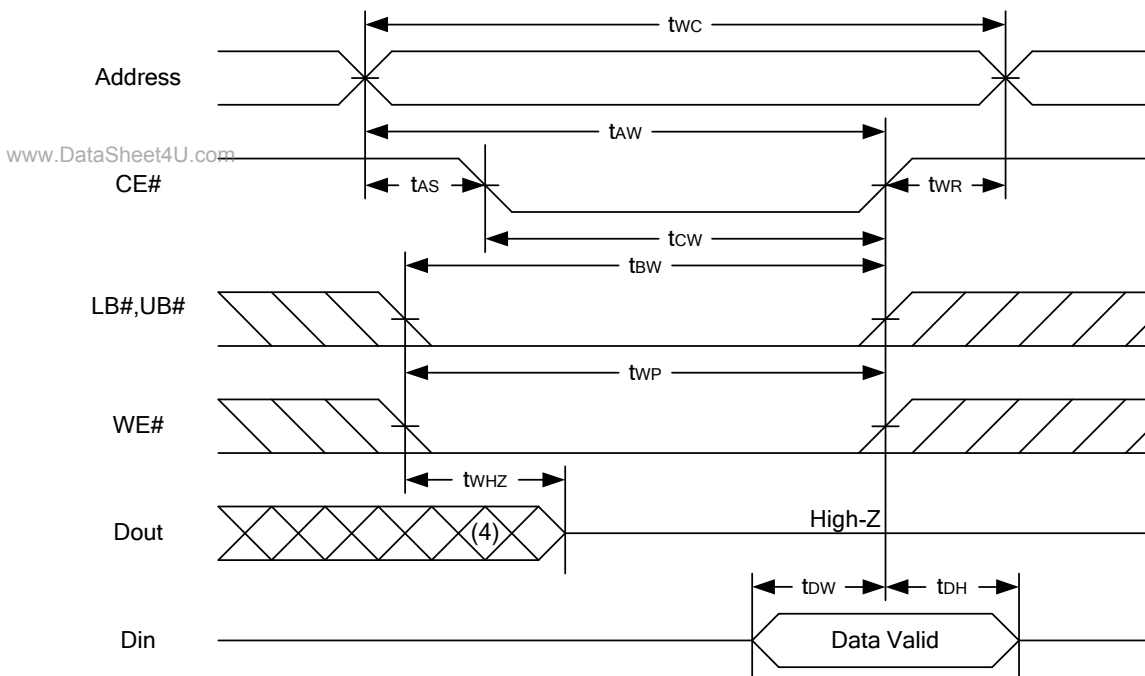
Rev. 1.2

## 128K X 16 BIT LOW POWER CMOS SRAM

### WRITE CYCLE 1 (WE# Controlled) (1,2,3,5,6)



### WRITE CYCLE 2 (CE# Controlled) (1,2,5,6)



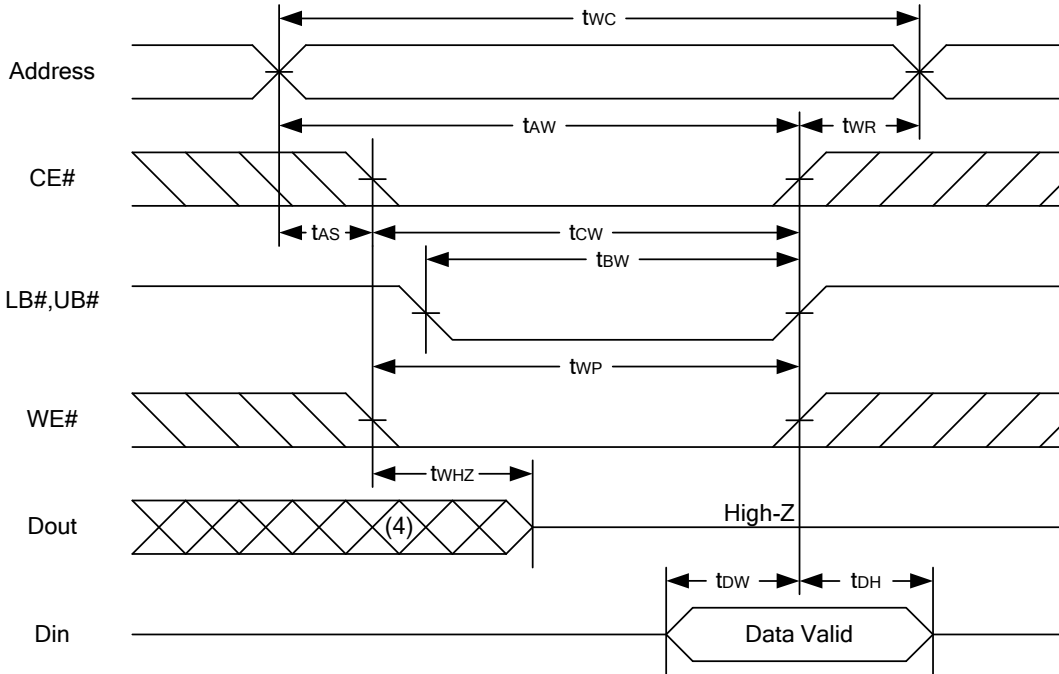


LY62L12816

128K X 16 BIT LOW POWER CMOS SRAM

Rev. 1.2

WRITE CYCLE 3 (LB#,UB# Controlled) (1,2,5,6)



Notes :

1. WE#, CE#, LB#, UB# must be high during all address transitions.
2. A write occurs during the overlap of a low CE#, low WE#, LB# or UB# = low.
3. During a WE# controlled write cycle with OE# low, tWP must be greater than tWHZ + tDW to allow the drivers to turn off and data to be placed on the bus.
4. During this period, I/O pins are in the output state, and input signals must not be applied.
5. If the CE#, LB#, UB# low transition occurs simultaneously with or after WE# low transition, the outputs remain in a high impedance state.
6. tDW and tWHZ are specified with CL = 5pF. Transition is measured ±500mV from steady state.

www.DataSheet4U.com





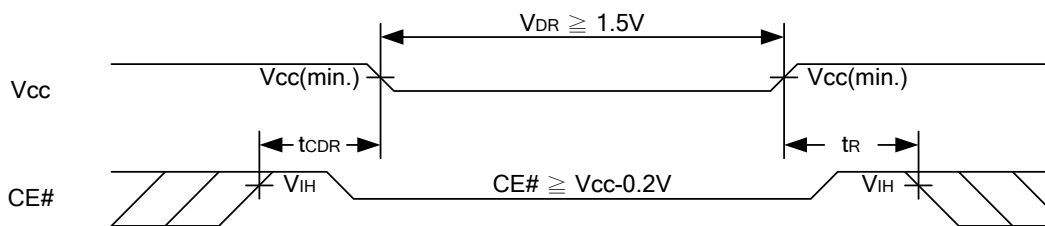
**DATA RETENTION CHARACTERISTICS**

PARAMETER	SYMBOL	TEST CONDITION	MIN.	TYP.	MAX.	UNIT		
Vcc for Data Retention	V <sub>DR</sub>	CE# ≥ V <sub>CC</sub> - 0.2V	1.5	-	3.6	V		
Data Retention Current	I <sub>DR</sub>	V <sub>CC</sub> = 1.5V CE# ≥ V <sub>CC</sub> - 0.2V Others at 0.2V or V <sub>CC</sub> -0.2V	LL	-	0.5	5	μA	
			LLE/LLI	-	0.5	10	μA	
			SL	25°C	-	0.5	3	μA
			SLE	40°C	-	0.5	3	μA
			SLI		-	0.5	3	μA
			SL	-	0.5	5	μA	
SLE/SLI	-	0.5	10	μA				
Chip Disable to Data Retention Time	t <sub>CDR</sub>	See Data Retention Waveforms (below)	0	-	-	ns		
Recovery Time	t <sub>R</sub>		t <sub>RC</sub> *	-	-	ns		

t<sub>RC</sub>\* = Read Cycle Time

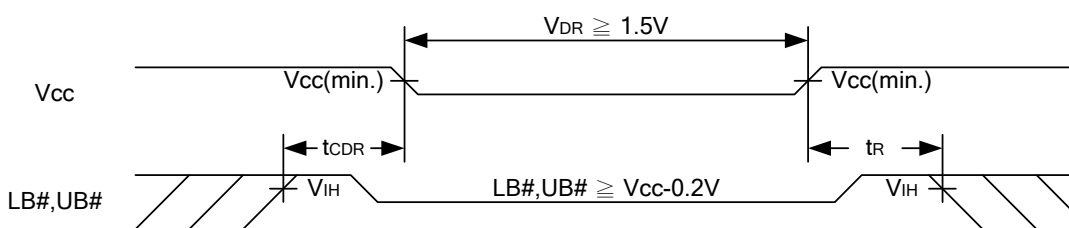
**DATA RETENTION WAVEFORM**

**Low Vcc Data Retention Waveform (1) (CE# controlled)**



**Low Vcc Data Retention Waveform (2) (LB#, UB# controlled)**

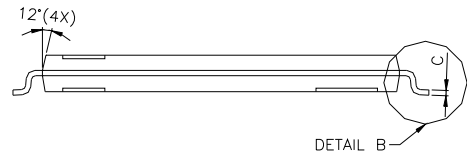
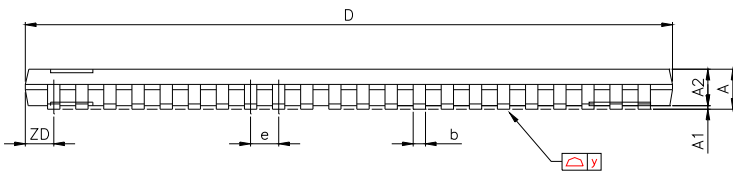
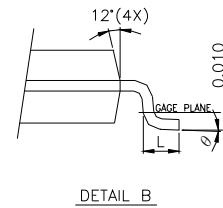
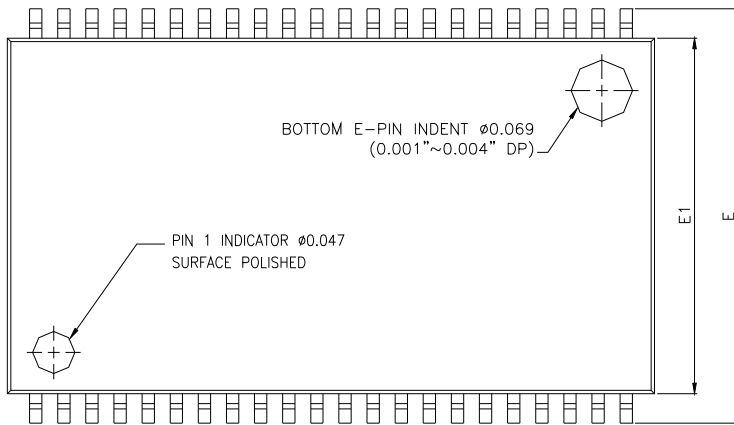
www.DataSheet4U.com





**PACKAGE OUTLINE DIMENSION**

**44-pin 400mil TSOP-II Package Outline Dimension**



SYMBOLS	DIMENSIONS IN MILLMETERS			DIMENSIONS IN MILS		
	MIN.	NOM.	MAX.	MIN.	NOM.	MAX.
A	-	-	1.20	-	-	47.2
A1	0.05	0.10	0.15	2.0	3.9	5.9
A2	0.95	1.00	1.05	37.4	39.4	41.3
b	0.30	-	0.45	11.8	-	17.7
c	0.12	-	0.21	4.7	-	8.3
D	18.212	18.415	18.618	717	725	733
E	11.506	11.760	12.014	453	463	473
E1	9.957	10.160	10.363	392	400	408
e	-	0.800	-	-	31.5	-
L	0.40	0.50	0.60	15.7	19.7	23.6
ZD	-	0.805	-	-	31.7	-
y	-	-	0.076	-	-	3
θ	0°	3°	6°	0°	3°	6°

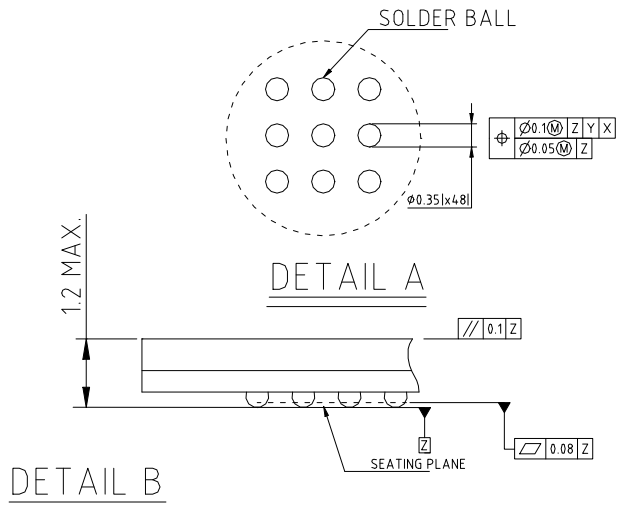
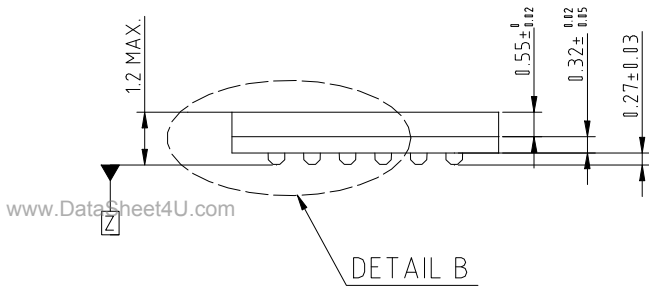
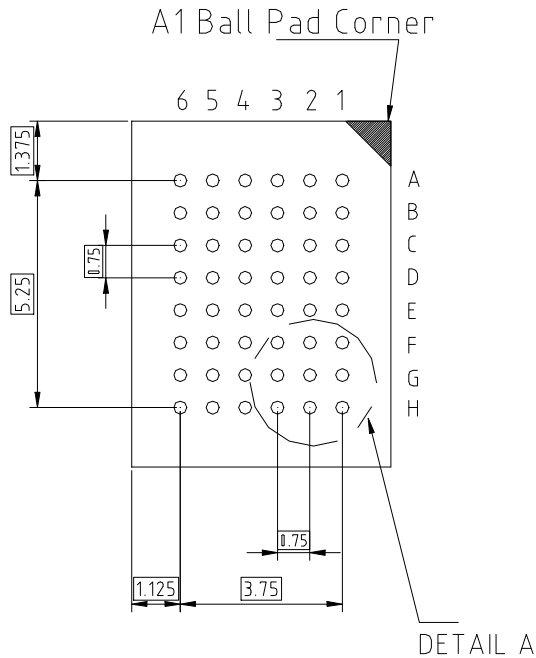
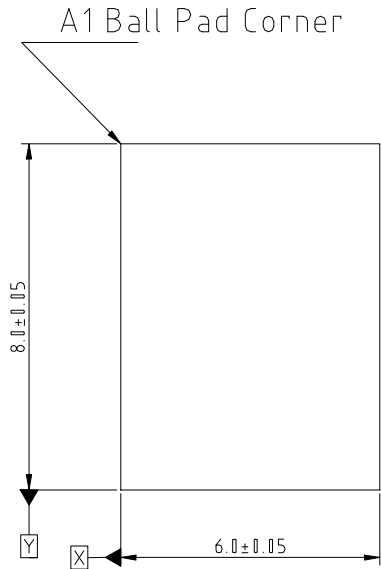
www.DataSheet4U.com

# LY62L12816

## 128K X 16 BIT LOW POWER CMOS SRAM

Rev. 1.2

### 48-ball 6mm x 8mm TFBGA Package Outline Dimension



SIDE VIEW

DETAIL B

**ORDERING INFORMATION**LY62L12816 U V - WW XX Y Z**Z** : Packing Type

Blank : Tube or Tray

T : Tape Reel

**Y** : Temperature Range

Blank : (Commercial) 0°C ~ 70°C

E : (Extended) -20°C ~ +80°C

I : (Industrial) -40°C ~ +85°C

**XX** : Power Type

LL : Ultra Low Power

SL : Special Ultra Low Power

**WW** : Access Time(Speed)**V** : Lead Information

L : Green Package

**U** : Package Type

M : 44-pin 400 mil TSOP-II

G : 48-ball 6 mm x 8 mm TFBGA



LY62L12816

Rev. 1.2

128K X 16 BIT LOW POWER CMOS SRAM

---

THIS PAGE IS LEFT BLANK INTENTIONALLY.